

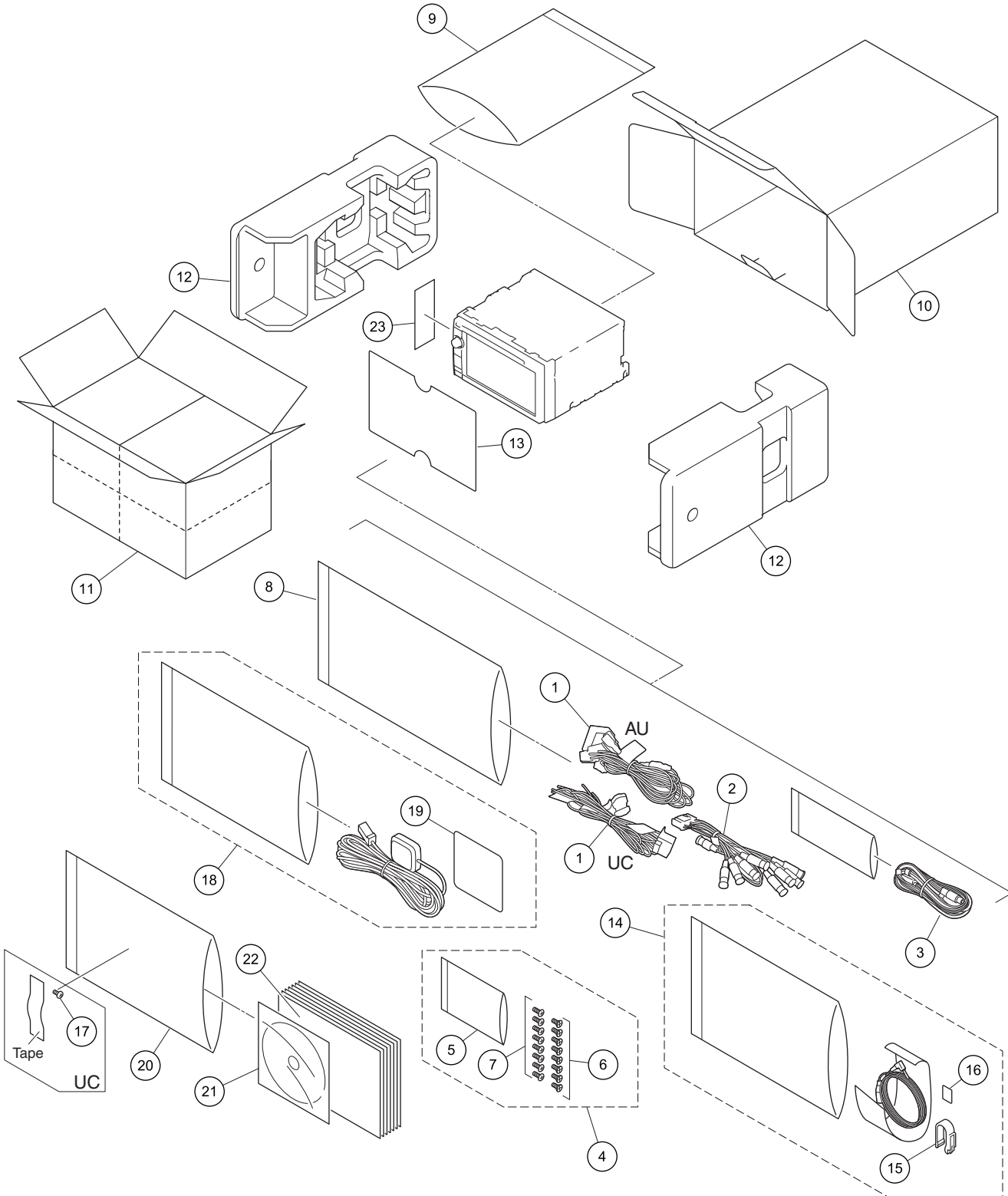


9. EXPLODED VIEWS AND PARTS LIST

NOTES : • Parts marked by " * " are generally unavailable because they are not in our Master Spare Parts List.

- The  mark found on some component parts indicates the importance of the safety factor of the part. Therefore, when replacing, be sure to use parts of identical designation.
- Screw adjacent to  mark on the product are used for disassembly.
- For the applying amount of lubricants or glue, follow the instructions in this manual. (In the case of no amount instructions, apply as you think it appropriate.)

9.1 PACKING



(1) PACKING SECTION PARTS LIST

<u>Mark No.</u>	<u>Description</u>	<u>Part No.</u>	<u>Mark No.</u>	<u>Description</u>	<u>Part No.</u>
1	Cord Assy	See Contrast table (2)	16	Cushion	CZN7193
2	MBL CMPX CONN-CORD	CDP1375	17	Screw	See Contrast table (2)
3	USB CONN-Cable Assy	CDP1425	18	GPS Antenna Assy	CXE3204
4	Screw Assy	CEA3559	19	Sheet	CZN8510
* 5	Polyethylene Bag	CEG-127	20	Polyethylene Bag	CEG1116
6	Screw	CRZ50P090FTC	21	IM CD-ROM	CPJ1334
7	Screw	TRZ50P080FTC	22-1	Quick Start Guide	See Contrast table (2)
8	Polyethylene Bag	CEG1116	22-2	Quick Start Guide	See Contrast table (2)
9	Polyethylene Bag	See Contrast table (2)	22-3	Important Information	See Contrast table (2)
10	Unit Box	See Contrast table (2)	22-4	Installation Manual	See Contrast table (2)
11	Contain Box	See Contrast table (2)	22-5	Caution Card	CRP1310
12	Protector	CHP4122	* 22-6	Registration Card	See Contrast table (2)
* 13	Board	CHW2174	* 22-7	Warranty Card	See Contrast table (2)
14	Microphone Assy	CPM1083	23	Sheet	CNN3437
15	Holder	CZN7192			

(2) CONTRAST TABLE

AVIC-X930BT/XNUC, AVIC-X9310BT/XNUC and AVIC-F930BT/XNAU are constructed the same except for the following:

Mark	No.	Description	AVIC-X930BT/XNUC	AVIC-X9310BT/XNUC	AVIC-F930BT/XNAU
	1	Cord Assy	CDP1307	CDP1307	CDP1306
	9	Polyethylene Bag	CEG1402	CEG1402	CEG1401
	10	Unit Box	CHG7538	CHG7542	CHG7541
	11	Contain Box	CHL7538	CHL7542	CHL7541
	17	Screw	BPZ20P040FTC	BPZ20P040FTC	Not Used
	22-1	Quick Start Guide	CRB3628	CRB3628	CRB3632
	22-2	Quick Start Guide	CRB3629	CRB3629	Not Used
	22-3	Important Information	CRD4575	CRD4575	CRB3620
	22-4	Installation Manual	CRD4576	CRD4576	CRB3621
*	22-6	Registration Card	CRY1271	CRY1271	Not Used
*	22-7	Warranty Card	CRY1276	CRY1276	Not Used

Owner's Manual, Installation Manual

Part No.	Language
CRB3628	English
CRB3629	French
CRD4575	English, French
CRD4576	English, French
CRB3632	English
CRB3620	English
CRB3621	English

CONTENTS OF IM CD-ROM (Operation Manual), CPJ1334

Part No.	Language
* CRB3610	English
* CRB3611	French
* CRB3618	English

All operation manuals are supplied in PDF files by the CD-ROM.

Regarding the availability of paper manual, contact Pioneer Service representative in your region.

9.2 EXTERIOR (1)

1

2

3

4

A

UC

40

40

AU

B

(1/2)

B

D

A

8 18

7 37

5

5

5

5

5

5

5

5

5

5

5

5

5

5

5

5

5

5

5

5

5

5

5

5

5

5

5

5

5

5

5

5

5

5

5

C

26 27

36

29

34

31

33

30

32

35

34

31

33

30

32

35

34

31

33

30

32

35

34

31

33

30

32

35

34

31

33

D

38 (2/2)

G

6

E

39

14

4

A

13

G

17

4

D

21

22

23

4

H

4

E

4

F

4

I

3

J

2

E

G

15

24

H

12

F

20

F

1

1

J

I

C

4

1

2

3

4

(1) EXTERIOR (1) SECTION PARTS LIST

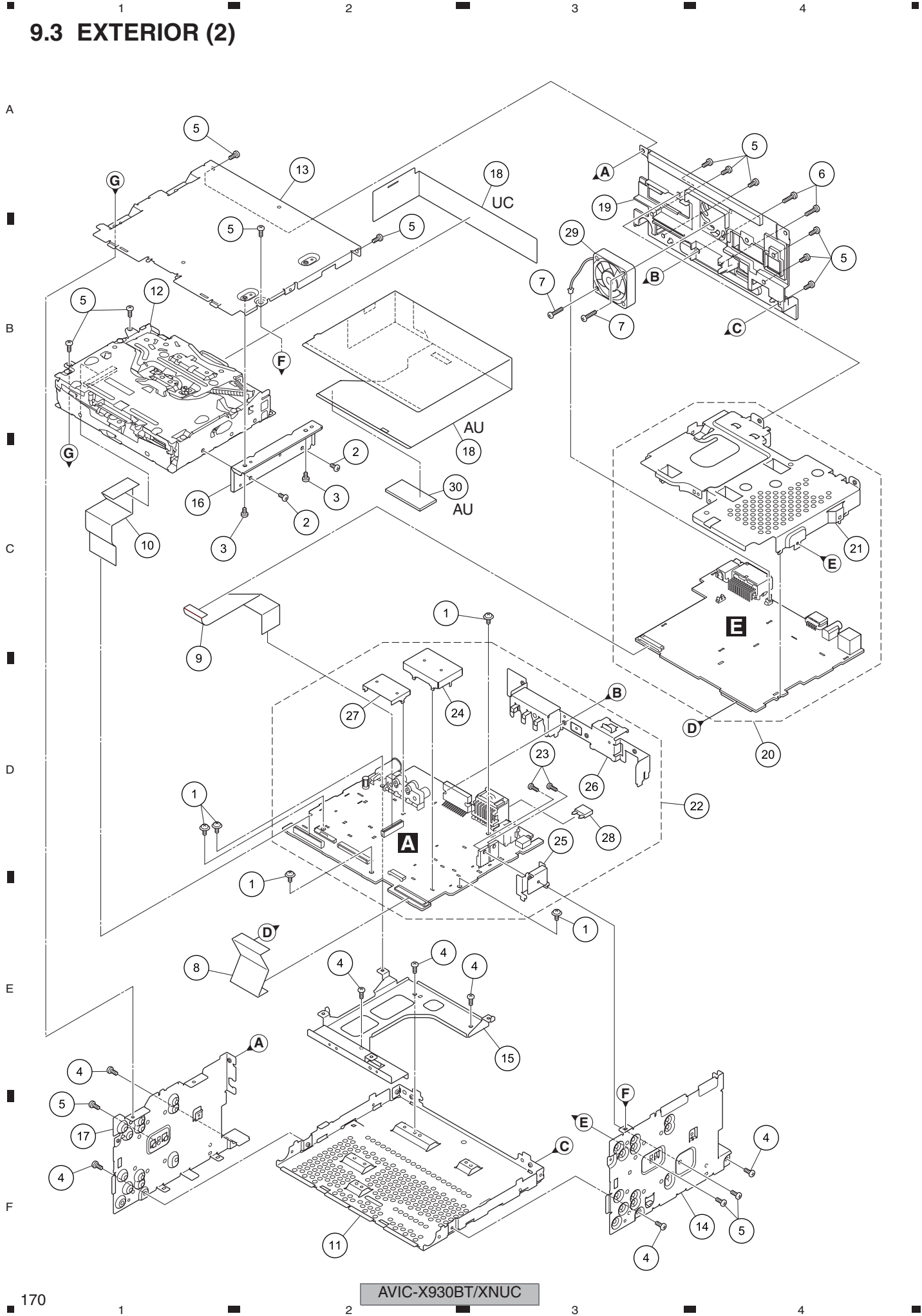
<u>Mark No.</u>	<u>Description</u>	<u>Part No.</u>	<u>Mark No.</u>	<u>Description</u>	<u>Part No.</u>
1	Screw	BSZ26P060FTC	22	Cord Assy	CDE9389
2	FPC	CNQ4273	23	Bluetooth Module	CWX4140
3	FPC	CNQ4274	24	LCD Panel	CWX4022
4	Screw	AMZ20P040FTC	25	Grille Unit	See Contrast table (2)
5	Screw	BPZ20P080FTC			
6	Screw	BSZ26P060FTC	26	Knob Unit	CXE3932
7	Button(EJECT)	CAI3301	27	Spring	YBL5010
8	Button(HOME)	CAI3302	28	Detach Grille Assy	See Contrast table (2)
9	Button	CAI3304	29	Button(MUTE, MODE)	See Contrast table (2)
10	Screw(M2 x 3)	CBA1877	30	Button(TRK)	CAI3306
11	Plate Spring	CBL1823	31	Coil Spring	CBH3091
12	FFC	CDE9392	32	Cushion	CNN3549
13	FFC	CDE9394	33	Grille	CNU1519
14	FFC	CDE9395	34	Cover	CNU1520
15	Holder	CND5943	35	Lever	CNW2115
16	Cover	CNN3240	36	Plate Unit	CXE3997
17	Insulator	CNN3541	37	Lighting Conductor Unit	CXE4567
18	Cushion	CNN3548	38	IF Unit	See Contrast table (2)
19	Holder	CNW2114	39	Holder	CND5945
20	Touch Panel	CSX1164	40	Cord Assy	See Contrast table (2)
21	CC Monitor Unit(Service)	See Contrast table (2)	41	MBL CMPX CONN-CORD	CDP1375
			42	Cap	CNW1490

(2) CONTRAST TABLE

AVIC-X930BT/XNUC, AVIC-X9310BT/XNUC and AVIC-F930BT/XNAU are constructed the same except for the following:

Mark	No.	Description	AVIC-X930BT/XNUC	AVIC-X9310BT/XNUC	AVIC-F930BT/XNAU
	21	CC Monitor Unit(Service)	CXX3400	CXX3400	CXX3403
	25	Grille Unit	CXE3931	CXE3934	CXE4202
	28	Detach Grille Assy	CXE3996	CXE3996	CXE4275
	29	Button(MUTE, MODE)	CAI3305	CAI3305	CAI3307
	38	IF Unit	CWN5866	CWN5866	CWN5869
	40	Cord Assy	CDP1307	CDP1307	CDP1306

9.3 EXTERIOR (2)



AVIC-X930BT/XNUC

(1) EXTERIOR (2) SECTION PARTS LIST

<u>Mark No.</u>	<u>Description</u>	<u>Part No.</u>	<u>Mark No.</u>	<u>Description</u>	<u>Part No.</u>
1	Screw	ASZ26P060FTC	16	Bracket	CND5933
2	Screw	BMZ25P040FTB	17	Bracket	CND6117
3	Screw	BMZ26P040FTC	18	Sheet	See Contrast table (2)
4	Screw	BSZ26P050FTB	19	Heat Sink	CNR2097
5	Screw	BSZ26P060FTC	20	IF Unit	See Contrast table (2)
6	Screw	BSZ26P160FTC	21	Holder	CND5939
7	Screw(M2.6 x 14)	CBA2103	22	AV Unit	See Contrast table (2)
8	FFC	CDE9384	23	Screw	BSZ26P060FTC
9	FFC	CDE9385	24	Shield	CND4926
10	FFC	CDE9401	25	Holder	CND5834
11	Chassis	CNA3210	26	Holder	See Contrast table (2)
12	DVD Mechanism Module(LS1)	CXK6822	27	Shield	CND5938
13	Case	CNB3721	28	Fuse(10 A)	YEK5001
14	Bracket	CND5925	29	Fan Motor	CXM1394
15	Bracket	CND5932	30	Cushion	See Contrast table (2)

(2) CONTRAST TABLE

AVIC-X930BT/XNUC, AVIC-X9310BT/XNUC and AVIC-F930BT/XNAU are constructed the same except for the following:

Mark	No.	Description	AVIC-X930BT/XNUC	AVIC-X9310BT/XNUC	AVIC-F930BT/XNAU
	18	Sheet	CNN3540	CNN3540	CNN3734
	20	IF Unit	CWN5866	CWN5866	CWN5869
	22	AV Unit	CWN5681	CWN5681	CWN5684
	26	Holder	CND5934	CND5934	CND5935
	30	Cushion	Not Used	Not Used	CNN3843

9.4 DVD MECHANISM MODULE

A

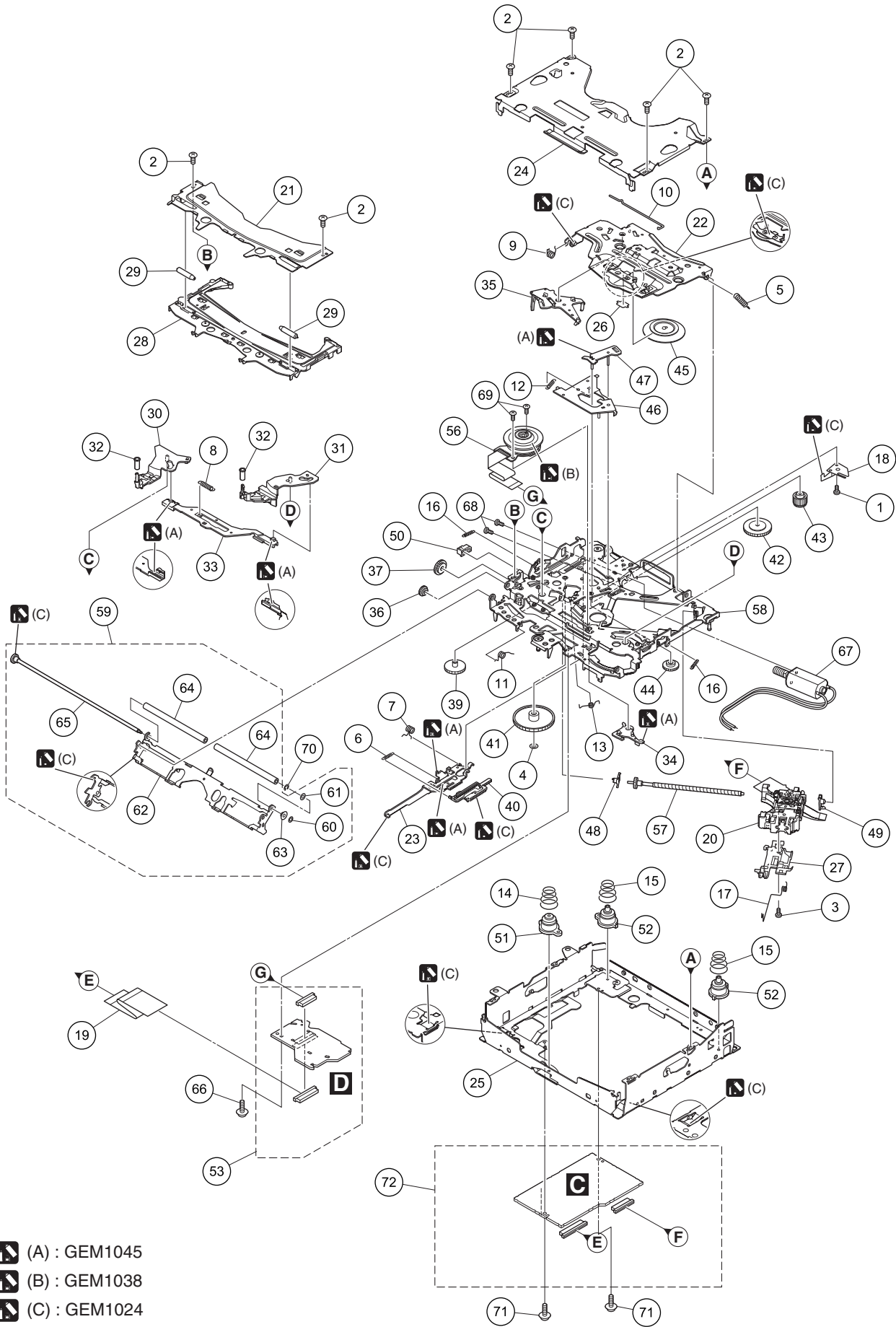
B

C

D

E

F



- (A) : GEM1045
- (B) : GEM1038
- (C) : GEM1024

DVD MECHANISM MODULE SECTION PARTS LIST

<u>Mark No.</u>	<u>Description</u>	<u>Part No.</u>	<u>Mark No.</u>	<u>Description</u>	<u>Part No.</u>
1	Screw	BMZ20P020FTC	50	Holder	CNW1195
2	Screw	BSZ20P040FTC			
3	Screw(M2 x 4)	CBA1835	51	Damper	CNW1197
4	Washer	CBF1038	52	Damper	CNW1198
5	Spring	CBH2860	*	53 Connect PCB	CWX3618
			54	
6	Spring	CBH3010	55	
7	Spring	CBH3011			
8	Spring	CBH3012	56	Motor(SPINDLE)(M2)	EXM1050
9	Spring	CBH3013	57	Screw Unit	CXC8894
10	Spring	CBH3014	58	Chassis Unit	CXE4562
			59	Arm Assy	CXC8896
11	Spring	CBH3015	60	Washer	CBF1037
12	Spring	CBH3016			
13	Spring	CBH3017	61	Washer	CBF1038
14	Spring	CBH3018	62	Arm	CND4554
15	Spring	CBH3019	63	Collar	CNV6906
			64	Roller	CNW1196
16	Spring	CBH3020	65	Gear Unit	CXC8893
17	Spring	CBH3030			
18	Plate Spring	CBL1822	66	Screw	IMS20P030FTC
19	Cable	CDE8631	67	Motor Unit(LOAD/CRG)(M1)	CXC4026
20	Pickup Unit(Service)	CXX2398	68	Screw	JFZ20P025FTC
			69	Screw	JGZ17P022FTC
21	Bracket	CND4553	70	Washer	YE15FTC
22	Arm	CND4555			
23	Lever	CND5398	71	Screw	IMS20P030FTC
24	Frame	CND6203	72	DVD Core Unit	YWX5025
25	Frame	CND4558			
26	Sheet	CNN2280			
27	Rack	CNW1170			
28	Guide	CNW1171			
29	Roller	CNW1172			
30	Arm	CNW2157			
31	Arm	CNW1174			
32	Roller	CNW1175			
33	Lever	CNW1176			
34	Arm	CNW1177			
35	Arm	CNW1178			
36	Gear	CNW1180			
37	Gear	CNW1181			
38				
39	Gear	CNW1183			
40	Rack	CNW1184			
41	Gear	CNW1185			
42	Gear	CNW1186			
43	Gear	CNW1187			
44	Gear	CNW1188			
45	Clamper	CNW1190			
46	Arm	CNW1191			
47	Arm	CNW1192			
48	Holder	CNW1193			
49	Holder	CNW1194			

A

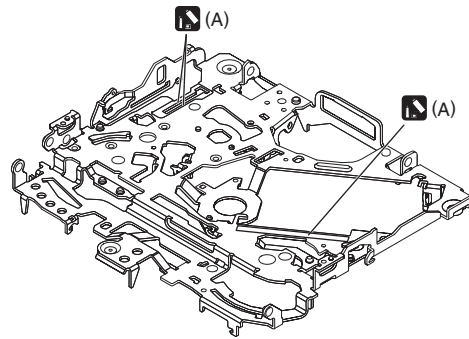
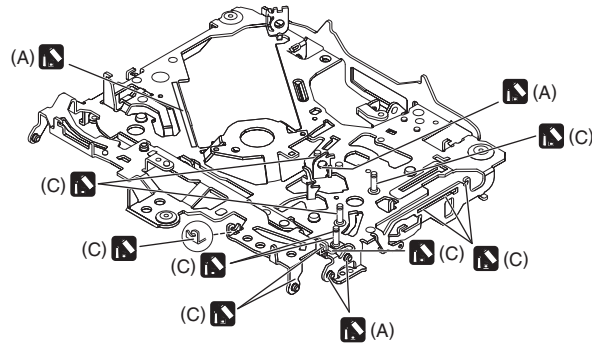
B




C

D

E

F



-  (A) : GEM1045
-  (B) : GEM1038
-  (C) : GEM1024

12. ELECTRICAL PARTS LIST

NOTE:

- Parts whose parts numbers are omitted are subject to being not supplied.
- The part numbers shown below indicate chip components.

Chip Resistor

RS1/OS○○○○J,RS1/○○S○○○○J

Chip Capacitor (except for CQS.....)

CKS....., CCS....., CSZS.....

- The \triangle mark found on some component parts indicates the importance of the safety factor of the part. Therefore, when replacing, be sure to use parts of identical designation.
- Meaning of the figures and others in the parentheses in the parts list.

Example) IC 301 is on the point (face A, 91 of x-axis, and 111 of y-axis) of the corresponding PC board.

IC 301 (A, 91, 111) IC NJM2068V

<u>Circuit Symbol and No.</u>	<u>Part No.</u>	<u>Circuit Symbol and No.</u>	<u>Part No.</u>
Unit Number : CWN5681(UC)		IC 1511 (B,81,64) IC	TC74VHCT541AFK
: CWN5684(AU)		IC 1621 (A,62,31) IC	NJM2125F
		IC 1641 (B,103,83) IC	BA4558RFVM
Unit Name : AV Unit		IC 1691 (B,83,86) IC	AK4223VQ
Unit Number : CWN5866(UC)		IC 1761 (B,83,101) IC	PML020A
: CWN5869(AU)		IC 1831 (B,152,110) IC(UC)	HA12241FP
		IC 1941 (A,30,52) Regulator IC	NJM2846DL3-05
Unit Name : IF Unit		IC 2001 (A,46,74) IC	TDA7706
Unit Number : YWX5025		IC 2221 (A,105,26) IC	BH30NB1WHFV
Unit Name : DVD Core Unit		IC 2222 (A,106,20) Sensor	CSX1149
Unit Number :		IC 2223 (B,107,22) IC	ADS7828E
Unit Name : Connect PCB		Q 1011 (B,118,143) Transistor	LSC4081UB
Unit Number : CXX3400(UC)		Q 1012 (B,121,143) Transistor	LSC4081UB
: CXX3403(AU)		Q 1031 (B,132,143) Transistor	LSA1576UB
Unit Name : CC Monitor Unit(Service)		Q 1051 (B,125,121) Chip Transistor	RN1907
		Q 1101 (A,164,108) Transistor	LSA1576UB
		Q 1102 (A,161,107) Transistor	LTC114EUB
		Q 1121 (A,158,109) Transistor	LSA1576UB
		Q 1122 (A,157,112) Transistor	LTC114EUB
		Q 1131 (A,153,103) Chip Transistor	HN1C01FU
		Q 1141 (B,104,138) Transistor	LTC114EUB
		Q 1151 (B,56,125) Transistor	LSC4081UB
		Q 1181 (A,77,119) Transistor	LTC114EUB
		Q 1191 (B,58,120) Chip Transistor	RN4982
		Q 1204 (A,157,35) FET	SP8K10S
		Q 1205 (A,156,54) FET	SP8K10S
		Q 1302 (A,112,60) Transistor	LSA1576UB
		Q 1471 (B,161,70) Transistor	LTC114EUB
		Q 1472 (B,168,57) Transistor	LTC114EUB
		Q 1501 (B,118,53) Transistor	LSC4081UB
		Q 1521 (B,45,11) Chip Transistor	RN4982
		Q 1522 (B,27,10) Transistor	IMH23
		Q 1662 (B,111,85) Chip Transistor	RN4982
		Q 1664 (B,111,89) Transistor	DTC623TU
		Q 1751 (B,65,66) Chip Transistor	HN1C03FU
		Q 1752 (B,60,61) Chip Transistor	RN4982
		Q 1753 (B,67,61) Chip Digital Transistor	LTA124EUB
		Q 1793 (B,40,118) Chip Transistor	HN1C03FU
		Q 1801 (B,35,118) Chip Digital Transistor	LTA124EUB
		Q 1831 (B,141,124) Transistor(UC)	LTC114EUB
		Q 1832 (B,140,128) Transistor(UC)	LSA1576UB
IC 1051 (A,89,129) IC	PA2030A		
IC 1091 (B,162,109) IC	S-1200B33-M5		
IC 1111 (B,155,101) IC	BD3931FP		
IC 1161 (A,164,87) IC	NJM2388F84		
IC 1171 (A,164,99) IC	NJM2388F84		
IC 1201 (B,150,45) IC	LTC3850IGN		
IC 1241 (A,149,84) Regulator IC	BD9781HFPP		
IC 1281 (A,121,76) IC	LT3505EDD		
IC 1301 (B,72,38) IC	S-80929CNMC-G8Z		
IC 1302 (A,95,52) IC(UC)	PEG745A8		
(A,95,52) IC(AU)	PEG747A8		
IC 1303 (B,108,46) IC	S-93C56BD0I-18		
IC 1471 (B,165,67) IC	NJM2904M		

A

Unit Number : CWN5681(UC)
: CWN5684(AU)
Unit Name : AV Unit

MISCELLANEOUS

	1		2		3		4	
	<u>Circuit Symbol and No.</u>		<u>Part No.</u>		<u>Circuit Symbol and No.</u>		<u>Part No.</u>	
	Q 1861	(B,161,8) Transistor	UMF23N		L 2012	(A,37,72) Inductor	CTF1786	
	Q 1862	(B,161,12) Transistor	LSA1576UB		L 2014	(A,43,63) Inductor	CTF1786	
A	Q 1863	(B,157,10) Transistor	UMF23N		L 2015	(A,55,65) Inductor	CTF1786	
	Q 1864	(B,161,14) Transistor	LSA1576UB		L 2018	(A,51,63) Inductor	CTF1786	
	Q 1865	(B,156,15) Transistor	LTA114EUB		L 2020	(A,36,82) Inductor	LCYB68NJ1608	
	Q 1866	(B,161,18) Transistor	2SD2114K		L 2021	(A,52,84) Inductor	CTF1794	
	Q 2441	(A,160,26) Transistor	IMH23		L 2070	(B,40,90) Inductor(UC)	LCYB4N7S1608	
	Q 2442	(A,156,26) Chip Transistor	RN4983		L 2224	(B,100,26) Chip Ferrite Bead	OTL8019	
	D 1001	(A,120,120) Diode	CRG03		L 2351	(B,160,115) Chip EMI Filter	DTF1106	
	D 1002	(A,120,123) Diode	CRG03		X 1301	(A,96,35) Oscillator 15 000 kHz	CSS1781	
	D 1012	(B,119,140) Diode	RKZ5.6KG(B2)		X 2001	(A,58,70) Oscillator 36.48 MHz	CSS1805	
	D 1031	(B,135,142) Diode	1SS352		F 1201	(A,162,55) EMI Filter	CCG1267	
B	D 1042	(B,127,140) Diode	1SR154-400		F 1202	(B,135,39) EMI Filter	CCG1267	
	D 1051	(B,61,131) Diode	1SR154-400		F 1203	(B,133,51) EMI Filter	CCG1267	
	D 1052	(B,61,128) Diode	1SR154-400		F 1241	(A,98,93) EMI Filter	CCG1267	
	D 1072	(B,118,117) Diode	RF501B2S		⚠ P1201	(A,169,57) Fuse 3.15 A	CEK1259	
	D 1131	(A,149,94) Diode	HZU7R5(B3)		⚠ P1242	(A,136,16) Fuse 250 mA	CEK1276	
	D 1132	(A,149,102) Diode	RKZ20KG(B2)		⚠ P1243	(A,96,100) Fuse 3.15 A	CEK1259	
	D 1133	(A,149,96) Diode	1SS352		⚠ P1291	(A,67,31) Fuse 1 A	CEK1254	
	D 1134	(A,149,98) Diode	1SS352		P 1891	(B,61,115) Poly Switch	MINISMDC075F/24	
	D 1141	(B,111,142) Diode	1SS352		P 1892	(B,55,115) Poly Switch	MINISMDC075F/24	
	D 1151	(B,54,127) Diode	UDZS6R8(B)		P 2061	(B,21,96) Surge Protector	IMSA-6802-01Y900	
	D 1202	(B,158,41) Diode	RB160M-40		P 2441	(A,165,25) Poly Switch	MINISMDC050F	
	D 1203	(B,158,51) Diode	RB160M-40		GY2221	(A,99,20) Sensor	CSX1147	
C	D 1241	(A,154,75) Diode	RB050L-40		CN1521	(A,33,8) Connector	VKN1620	
	D 1242	(A,95,93) Diode	RB051LA-40		CN1851	(A,74,66) Connector	VKN1610	
	D 1281	(A,119,73) Diode	1SS352		CN2301	(A,75,20) Connector	CKS6118	
	D 1282	(A,126,75) Diode	RB160M-40		CN2401	(A,151,10) Connector	CKS5732	
	D 1301	(A,74,45) Diode	RB501V-40		JA 1001	(A,121,136) Plug	CKM1550	
	D 1302	(A,74,43) Diode	RB751S-40		JA 1831	(A,150,125) Connector(UC)	CKS5271	
	D 1471	(B,172,66) Diode	1SS352		JA 1891	(A,48,106) Pin Jack	CKB1100	
	D 1501	(B,121,56) Diode	UDZS8R2(B)		JA2061	(A,13,117) Antenna Jack	CKX1070	
	D 1504	(B,99,58) Diode	1SS301		JA2351	(A,166,130) Jack	CKN1018	
	D 1521	(B,23,10) Diode	DAP202U		SN2221	(A,110,15) Sensor	S-58LM20A-N4	
	D 1621	(A,56,28) Diode	UDZS4R3(B)		⚠	Fuse(10 A)	YEK5001	
D	D 1662	(B,109,86) Diode	RB715Z		RESISTORS			
	D 1751	(B,64,61) Diode	DAN202U		R 1011	(B,118,141)	RS1/16SS473J	
	D 1861	(B,167,9) Diode	RKZ3.6KG(B2)		R 1012	(B,116,138)	RS1/16SS104J	
	D 2001	(A,55,89) Diode	KP2311E		R 1013	(B,120,141)	RS1/16SS473J	
	D 2002	(A,55,83) Diode	KP2311E		R 1014	(B,123,139)	RS1/16SS472J	
	L 1001	(A,123,106) Choke Coil 600 uH	CTH1221		R 1015	(B,119,138) 1 kohm	CCN1326	
	L 1202	(A,147,53) Choke Coil 4.7 uH	CTH1399		R 1031	(B,130,141)	RS1/16SS102J	
	L 1203	(A,148,36) Choke Coil 6.8 uH	CTH1396		R 1032	(B,131,141)	RS1/16SS103J	
	L 1241	(A,144,70) Inductor	CTH1254		R 1033	(B,133,141)	RS1/16SS153J	
	L 1242	(A,123,84) Choke Coil 10 uH	CTH1398		R 1034	(B,136,138) 10 kohm	CCN1327	
E	L 1281	(A,123,69) Inductor	BTH1112		R 1041	(B,129,137)	RS1/10SR0R0J	
	L 1304	(A,100,34) Ferrite Bead	CTF1528		R 1071	(B,112,120)	RS1/10SR473J	
	L 1309	(A,111,69) Inductor	LCTAW2R2J2520		R 1072	(B,109,117)	RS1/4SOR0J	
	L 1691	(A,89,93) Chip Coil	LCTAW100J2520		R 1073	(B,109,112)	RS1/4SOR0J	
	L 1692	(A,86,94) Chip Coil	LCTAW100J2520		R 1074	(B,144,95)	RS1/4SA0R0J	
	L 1831	(B,148,114) Inductor(UC)	LCYC2R2K1608		R 1091	(B,162,107)	RS1/16SS472J	
	L 2001	(A,56,86) Chip Coil	LCTAWR15J2520		R 1101	(A,163,110)	RS1/16SS473J	
	L 2002	(A,48,84) Inductor	CTF1786		R 1102	(A,162,105)	RS1/16SS222J	
	L 2003	(A,44,86) Inductor	CTF1786		R 1103	(A,164,105)	RS1/16SS222J	
	L 2004	(A,52,87) Chip Coil	LCTAWR27J2520		R 1122	(A,155,112)	RS1/16SS472J	
	L 2005	(A,38,86) Inductor	CTF1389		R 1123	(A,155,110)	RS1/16SS472J	
F	L 2008	(A,35,85) Inductor	LCTAW220J2520		R 1131	(A,152,101)	RS1/16SS473J	
	L 2009	(A,59,79) Inductor	CTF1786		R 1132	(A,148,104)	RS1/16SS103J	
	L 2010	(A,59,77) Inductor	CTF1786					
	L 2011	(A,34,77) Chip Coil	LCTAW470J2520					

5		6		7		8	
<u>Circuit Symbol and No.</u>		<u>Part No.</u>		<u>Circuit Symbol and No.</u>		<u>Part No.</u>	
R 1133	(A,153,101)	RS1/10SR473J		R 1291	(B,61,16)	RS1/4SA0R0J	
R 1134	(A,148,103)	RS1/16SS103J		R 1309	(A,111,45)	RS1/16SS471J	
R 1141	(B,110,142)	RS1/16SS103J		R 1310	(B,107,51)	RS1/16SS104J	
R 1143	(B,115,142) 1 kohm	CCN1326		R 1316	(A,116,48)	RS1/16SS104J	A
R 1151	(B,51,125)	RS1/16SS223J		R 1317	(A,109,52)	RS1/16SS101J	
R 1152	(B,50,125)	RS1/16SS223J		R 1318	(A,109,53)	RS1/16SS102J	
R 1153	(B,56,131) 1 kohm	CCN1326		R 1319	(B,109,51)	RS1/16SS104J	
R 1154	(B,53,131)	RS1/16SS562J		R 1320	(B,106,57)	RS1/16SS104J	
R 1162	(A,167,81)	RS1/16SS0R0J		R 1321	(A,109,58)	RS1/16SS0R0J	
R 1172	(A,170,93)	RS1/16SS0R0J		R 1326	(B,92,68)	RS1/16SS104J	
R 1181	(A,75,122)	RS1/16SS103J		R 1327	(A,87,70)	RS1/16SS472J	
R 1182	(A,75,120)	RS1/16SS103J		R 1328	(A,88,70)	RS1/16SS472J	
R 1194	(B,62,63)	RS1/10SR0R0J		R 1329	(A,108,38)	RS1/16SS0R0J	
R 1201	(B,144,50)	RS1/10SR7502D		R 1332	(A,79,52)	RS1/16SS0R0J	B
R 1202	(B,141,43)	RS1/10SR2402D		R 1334	(B,80,43)	RS1/16SS104J	
R 1203	(B,139,48)	RS1/10SR682J		R 1336	(A,108,42)	RS1/16SS0R0J	
R 1204	(B,141,46)	RS1/10SR6802D		R 1337	(A,108,45)	RS1/16SS0R0J	
R 1205	(B,139,41)	RS1/10SR682J		R 1338	(A,106,41)	RS1/16SS0R0J	
R 1206	(B,144,47)	RS1/10SR1503D		R 1339	(B,102,38)	RS1/16SS561J	
R 1207	(B,144,42)	RS1/10SR1303D		R 1342	(A,105,39)	RS1/16SS561J	
R 1208	(B,143,50)	RS1/10SR0R0J		R 1352	(B,104,40)	RS1/16SS562J	
R 1209	(B,143,40)	RS1/10SR0R0J		R 1353	(A,105,71)	RS1/16SS562J	
R 1210	(B,147,52)	RS1/16SS100J		R 1354	(B,108,45)	RS1/16SS473J	
R 1211	(B,147,37)	RS1/16SS100J		R 1355	(A,111,51)	RS1/16SS104J	
R 1212	(B,148,52)	RS1/16SS100J		R 1356	(B,108,48)	RS1/16SS473J	C
R 1213	(B,148,37)	RS1/16SS100J		R 1357	(A,117,51) (UC)	RS1/16SS472J	
R 1214	(B,150,51)	RS1/16SS104J		R 1358	(A,117,49)	RS1/16SS472J	
R 1215	(B,149,34)	RS1/16SS0R0J		R 1359	(B,113,60)	RS1/16SS473J	
R 1218	(B,164,38)	RS1/16SS103J		R 1360	(A,116,47)	RS1/16SS104J	
R 1219	(B,153,37)	RS1/16SS0R0J		R 1362	(A,107,38)	RS1/16SS471J	
R 1220	(B,161,41)	RS1/16SS104J		R 1363	(A,109,38)	RS1/16SS101J	
R 1221	(B,157,41)	RS1/10SR100J		R 1364	(A,114,49)	RS1/16SS681J	
R 1222	(B,156,51)	RS1/10SR100J		R 1365	(A,114,51) (UC)	RS1/16SS101J	
R 1226	(B,159,45)	RS1/10SR2R2J		R 1366	(A,111,52)	RS1/16SS102J	
R 1227	(A,140,56) 0.027 ohm	CCN1190		R 1369	(A,109,62)	RS1/16SS681J	
R 1228	(A,141,32) 0.027 ohm	CCN1190		R 1370	(A,107,63) (UC)	RS1/16SS471J	D
R 1229	(A,163,50)	RS1/8SQ0R0J		R 1371	(A,107,42)	RS1/16SS101J	
R 1230	(B,139,36)	RS1/4SA0R0J		R 1373	(B,75,36)	RS1/16SS102J	
R 1231	(B,137,51)	RS1/4SA0R0J		R 1374	(B,85,37)	RS1/16SS104J	
R 1232	(B,135,41)	RS1/4SA221J		R 1375	(B,97,66)	RS1/16SS473J	
R 1233	(B,135,47)	RS1/4SA221J		R 1376	(B,98,63)	RS1/16SS473J	
R 1234	(B,155,41)	RS1/10SR0R0J		R 1377	(B,96,68)	RS1/16SS104J	
R 1235	(B,160,39)	RS1/10SR0R0J		R 1378	(B,74,35)	RS1/16SS104J	
R 1236	(B,160,51)	RS1/10SR0R0J		R 1379	(B,102,43)	RS1/16SS221J	
R 1237	(B,155,51)	RS1/10SR0R0J		R 1380	(A,102,67)	RS1/16SS102J	
R 1241	(B,151,72)	RS1/10SR0R0J		R 1381	(A,101,67)	RS1/16SS102J	
R 1242	(B,153,72)	RS1/10SR6802D		R 1382	(A,100,67)	RS1/16SS221J	E
R 1243	(B,153,75)	RS1/10SR3001D		R 1383	(A,102,34)	RS1/16SS473J	
R 1244	(B,152,77)	RS1/10SR1002D		R 1384	(A,112,57)	RS1/10SR473J	
R 1246	(B,150,74)	RS1/10SR333J		R 1385	(A,112,55)	RS1/10SR472J	
R 1247	(B,147,80)	RS1/10SR1003D		R 1387	(A,96,67)	RS1/16SS221J	
R 1248	(B,149,80)	RS1/10SR1002D		R 1388	(A,85,37)	RS1/16SS122J	
R 1250	(B,155,76)	RS1/10SR102J		R 1389	(B,89,38)	RS1/16SS103J	
R 1281	(B,120,72)	RS1/16SS0R0J		R 1390	(A,95,39)	RS1/16SS561J	
R 1282	(B,120,74)	RS1/10SR1303D		R 1391	(A,83,37)	RS1/16SS473J	
R 1283	(B,120,76)	RS1/16SS2402D		R 1392	(A,92,35)	RS1/16SS473J	
R 1285	(B,119,77)	RS1/16SS2002D		R 1393	(A,93,35)	RS1/16SS472J	
R 1286	(B,119,72)	RS1/16SS223J		R 1394	(A,86,37)	RS1/16SS122J	F
R 1287	(A,140,112)	RS1/4SA0R0J		R 1395	(A,81,37)	RS1/16SS182J	
R 1288	(A,126,79)	RS1/10SR0R0J		R 1396	(A,95,67)	RS1/16SS221J	

1

2

3

4

Circuit Symbol and No.**Part No.****Circuit Symbol and No.****Part No.**

R 1398	(A,92,67)	RS1/16SS681J	R 1480	(B,169,64)	RS1/16SS564J
R 1399	(A,91,67)	RS1/16SS681J	R 1481	(B,170,70)	RS1/16SS202J
R 1400	(A,90,67)	RS1/16SS681J	R 1482	(B,170,68)	RS1/16SS822J
A R 1401	(B,79,53)	RS1/16SS104J	R 1483	(B,171,55)	RS1/16SS203J
R 1403	(A,88,67)	RS1/16SS470J	R 1484	(B,171,57)	RS1/16SS333J
R 1404	(A,87,67)	RS1/16SS470J	R 1485	(A,162,65)	RS1/10SR0R0J
R 1405	(A,94,67)	RS1/16SS0R0J	R 1486	(B,160,66)	RS1/10SR0R0J
R 1406	(A,83,67)	RS1/16SS102J	R 1491	(B,106,42)	RS1/16SS0R0J
R 1407	(A,82,39)	RS1/16SS470J	R 1492	(B,106,56)	RS1/16SS0R0J
R 1408	(A,82,67)	RS1/16SS221J	R 1493	(B,105,63)	RS1/16SS0R0J
R 1410	(A,83,70)	RS1/16SS104J	R 1494	(B,94,64)	RS1/16SS0R0J
R 1411	(A,85,70)	RS1/16SS104J	R 1495	(B,83,42)	RS1/16SS0R0J
R 1413	(B,106,51)	RS1/16SS104J	R 1496	(B,84,49)	RS1/16SS0R0J
B R 1414	(B,90,38)	RS1/16SS473J	R 1501	(B,93,56)	RS1/16SS561J
R 1415	(A,109,55)	RS1/16SS104J	R 1502	(B,118,56)	RS1/10SR473J
R 1416	(B,94,66)	RS1/16SS104J	R 1503	(B,119,56)	RS1/10SR104J
R 1417	(B,111,57)	RS1/16SS104J	R 1504	(B,76,58)	RS1/16SS0R0J
R 1418	(B,111,59)	RS1/16SS104J	R 1505	(B,101,56)	RS1/16SS104J
R 1419	(A,74,46)	RS1/16SS103J	R 1507	(B,79,60)	RS1/16SS0R0J
R 1420	(A,75,42)	RS1/16SS103J	R 1511	(B,87,66)	RS1/16SS104J
R 1421	(A,82,42)	RS1/16SS470J	R 1512	(B,89,66)	RS1/16SS104J
R 1422	(A,81,42)	RS1/16SS681J	R 1513	(B,87,65)	RS1/16SS104J
R 1423	(A,80,42)	RS1/16SS681J	R 1514	(B,89,64)	RS1/16SS104J
R 1424	(B,80,34)	RS1/16SS101J	R 1515	(B,87,64)	RS1/16SS104J
C R 1427	(A,78,47)	RS1/16SS681J	R 1516	(B,89,63)	RS1/16SS104J
R 1428	(A,78,49)	RS1/16SS0R0J	R 1517	(B,89,60)	RS1/16SS104J
R 1429	(B,111,47)	RS1/16SS0R0J	R 1518	(B,85,60)	RS1/16SS224J
R 1430	(A,109,60)	RS1/16SS221J	R 1519	(B,79,67)	RS1/16SS0R0J
R 1431	(A,82,57)	RS1/16SS681J	R 1521	(B,31,10)	RS1/10SR104J
R 1432	(A,80,57)	RS1/16SS681J	R 1522	(B,34,10)	RS1/10SR104J
R 1433	(A,82,60)	RS1/16SS471J	R 1523	(B,32,8)	RS1/10SR182J
R 1434	(A,80,62)	RS1/16SS102J	R 1524	(B,33,8)	RS1/10SR182J
R 1435	(A,80,63)	RS1/16SS102J	R 1525	(B,44,8)	RS1/16SS471J
R 1436	(B,76,62)	RS1/16SS104J	R 1526	(A,39,12)	RS1/16SS221J
R 1437	(A,79,38)	RS1/16SS182J	R 1527	(A,38,12)	RS1/16SS471J
D R 1438	(B,77,54)	RS1/16SS124J	R 1528	(A,37,12)	RS1/16SS221J
R 1439	(A,78,38)	RS1/16SS392J	R 1529	(A,36,12)	RS1/16SS221J
R 1441	(A,77,38)	RS1/16SS392J	R 1530	(A,35,12)	RS1/16SS471J
R 1442	(B,79,51)	RS1/16SS104J	R 1531	(B,52,9)	RS1/4SA0R0J
R 1445	(B,90,41)	RS1/16SS0R0J	R 1532	(B,52,24)	RS1/10SR0R0J
R 1451	(A,78,53)	RS1/16SS0R0J	R 1534	(A,48,16)	RS1/16SS0R0J
R 1452	(A,78,45)	RS1/16SS0R0J	R 1535	(A,42,13)	RS1/8SQ0R0J
R 1453	(A,89,67)	RS1/16SS0R0J	R 1601	(B,52,31)	RS1/16SS0R0J
R 1454	(A,111,46)	RS1/16SS182J	R 1602	(B,68,31)	RS1/16SS0R0J
R 1455	(A,111,48)	RS1/16SS182J	R 1611	(B,80,74)	RS1/16SS0R0J
R 1457	(B,87,37)	RS1/16SS101J	R 1612	(B,84,74)	RS1/16SS0R0J
E R 1458	(B,82,37)	RS1/16SS101J	R 1615	(B,80,77)	RS1/16SS0R0J
R 1459	(B,85,54)	RS1/16SS0R0J	R 1616	(B,79,77)	RS1/16SS0R0J
R 1460	(B,84,52)	RS1/16SS104J	R 1621	(A,56,31)	RS1/16SS102J
R 1461	(B,87,33)	RS1/16SS102J	R 1623	(A,56,33)	RS1/10SR0R0J
R 1462	(B,86,33)	RS1/16SS0R0J	R 1646	(B,110,81)	RS1/10SR332J
R 1471	(B,164,72)	RS1/16SS104J	R 1647	(B,109,81)	RS1/10SR332J
R 1472	(B,169,70)	RS1/16SS473J	R 1648	(B,106,81)	RS1/10SR103J
R 1473	(B,168,70)	RS1/16SS563J	R 1649	(B,108,83)	RS1/10SR103J
R 1474	(B,168,68)	RS1/16SS513J	R 1650	(B,104,78)	RS1/10SR102J
R 1475	(B,169,68)	RS1/16SS104J	R 1651	(B,101,79)	RS1/10SR104J
F R 1476	(B,169,65)	RS1/16SS513J	R 1652	(B,101,81)	RS1/10SR104J
R 1477	(B,167,62)	RS1/16SS513J	R 1653	(B,99,81)	RS1/10SR683J
R 1478	(B,170,66)	RS1/16SS102J	R 1654	(B,99,83)	RS1/10SR473J
R 1479	(B,168,63)	RS1/16SS102J	R 1662	(B,106,89)	RS1/10SR821J

1

2

3

4

5		6		7		8	
<u>Circuit Symbol and No.</u>		<u>Part No.</u>		<u>Circuit Symbol and No.</u>		<u>Part No.</u>	
R 1664	(B,109,89)	RS1/16SS104J		R 1792	(B,88,113)	RS1/16SS0R0J	
R 1667	(B,102,87)	RS1/16SS0R0J		R 1795	(B,81,113)	RS1/16SS0R0J	
R 1689	(B,95,97)	RS1/16SS0R0J		R 1796	(B,79,113)	RS1/16SS0R0J	
R 1690	(B,95,98)	RS1/16SS0R0J		R 1801	(B,37,117)	RS1/16SS472J	A
R 1691	(B,83,76)	RS1/16SS0R0J		R 1802	(B,37,118)	RS1/16SS472J	
R 1692	(B,81,76)	RS1/16SS0R0J		R 1803	(B,43,116)	RS1/10SR821J	
R 1693	(B,84,76)	RS1/16SS0R0J		R 1804	(B,43,118)	RS1/10SR821J	
R 1694	(B,81,72)	RS1/16SS0R0J		R 1805	(B,41,114)	RS1/10SR223J	
R 1695	(B,83,72)	RS1/10SR0R0J		R 1806	(B,42,122)	RS1/10SR223J	
R 1700	(B,67,79)	RS1/10SR0R0J		R 1831	(B,157,109) (UC)	RS1/16SS103J	
R 1701	(B,70,80)	RS1/16SS750J		R 1832	(B,157,112) (UC)	RS1/16SS681J	
R 1703	(B,72,80)	RS1/16SS101J		R 1833	(B,157,111) (UC)	RS1/16SS101J	
R 1704	(B,72,81)	RS1/16SS101J		R 1835	(B,139,125) (UC)	RS1/10SR332J	
R 1705	(B,70,83)	RS1/16SS75R0F		R 1836	(B,141,128) (UC)	RS1/10SR682J	B
R 1706	(B,72,82)	RS1/16SS101J		R 1837	(B,137,126) (UC)	RS1/10SR222J	
R 1707	(B,72,84)	RS1/16SS101J		R 1838	(B,147,111) (UC)	RS1/10SR101J	
R 1716	(B,71,89)	RS1/16SS75R0F		R 1839	(B,145,110) (UC)	RS1/16SS680J	
R 1717	(B,72,87)	RS1/16SS101J		R 1841	(B,147,108) (UC)	RS1/10SR101J	
R 1718	(B,73,89)	RS1/16SS101J		R 1845	(B,142,118) (UC)	RS1/10SR102J	
R 1719	(B,73,90)	RS1/16SS0R0J		R 1846	(B,142,116) (UC)	RS1/10SR102J	
R 1720	(B,73,91)	RS1/16SS0R0J		R 1847	(B,142,119) (UC)	RS1/10SR223J	
R 1722	(B,82,92)	RS1/16SS104J		R 1848	(B,142,115) (UC)	RS1/10SR223J	
R 1723	(B,84,91)	RS1/16SS0R0J		R 1849	(B,142,121) (UC)	RS1/10SR181J	
R 1725	(B,89,74)	RS1/16SS223J		R 1850	(B,142,114) (UC)	RS1/10SR181J	
R 1726	(B,89,75)	RS1/16SS223J		R 1861	(B,166,7)	RS1/16SS271J	C
R 1727	(B,85,75)	RS1/16SS0R0J		R 1862	(B,165,7)	RS1/16SS152J	
R 1728	(B,89,76)	RS1/16SS0R0J		R 1863	(B,166,9)	RS1/16SS333J	
R 1729	(B,94,78)	RS1/16SS0R0J		R 1864	(B,165,10)	RS1/16SS104J	
R 1730	(B,94,80)	RS1/16SS0R0J		R 1865	(B,164,9)	RS1/16SS104J	
R 1731	(B,94,79)	RS1/16SS0R0J		R 1866	(B,164,7)	RS1/16SS473J	
R 1732	(B,94,83)	RS1/16SS0R0J		R 1867	(B,164,12)	RS1/16SS104J	
R 1733	(B,95,81)	RS1/16SS0R0J		R 1868	(B,165,13)	RS1/16SS104J	
R 1734	(B,95,84)	RS1/16SS0R0J		R 1869	(B,157,13)	RS1/16SS102J	
R 1741	(B,91,91)	RS1/16SS0R0J		R 1870	(B,156,7)	RS1/16SS472J	
R 1742	(A,78,78)	RS1/16SS0R0J		R 1871	(B,157,7)	RS1/16SS104J	
R 1748	(A,70,93)	RS1/8SQ75R0D		R 1872	(B,156,8)	RS1/16SS473J	D
R 1749	(A,67,93)	RS1/16SS0R0J		R 1873	(B,163,15)	RS1/16SS104J	
R 1750	(B,87,75)	RS1/16SS0R0J		R 1874	(B,163,17)	RS1/16SS104J	
R 1755	(B,68,66)	RS1/16SS821J		R 1875	(B,157,17)	RS1/16SS103J	
R 1756	(B,64,69)	RS1/16SS821J		R 1941	(B,25,56)	RS1/16SS102J	
R 1757	(B,68,65)	RS1/16SS223J		R 1966	(B,28,67)	RS1/8SQ0R0J	
R 1758	(B,62,68)	RS1/16SS223J		R 1977	(B,26,63)	RS1/8SQ0R0J	
R 1761	(A,92,104)	RS1/10SR0R0J		R 1978	(B,7,66)	RS1/10SR0R0J	
R 1762	(B,92,108)	RS1/16SS473J		R 2001	(A,41,88)	RS1/16SS105J	
R 1763	(A,92,102)	RS1/10SR0R0J		R 2002	(A,58,89)	RS1/16SS221J	
R 1771	(B,93,91)	RS1/16SS0R0J		R 2003	(A,58,83)	RS1/16SS751J	
R 1772	(B,90,93)	RS1/16SS0R0J		R 2004	(A,36,86)	RS1/16SS152J	E
R 1773	(B,65,64)	RS1/16SS472J		R 2005	(A,39,82)	RS1/16SS105J	
R 1774	(B,66,64)	RS1/16SS472J		R 2006	(A,35,80)	RS1/16SS471J	
R 1775	(B,71,104)	RS1/16SS0R0J		R 2007	(A,36,79)	RS1/16SS330J	
R 1776	(B,71,108)	RS1/16SS0R0J		R 2008	(A,34,75)	RS1/16SS681J	
R 1777	(B,89,73)	RS1/16SS182J		R 2009	(A,55,72)	RS1/16SS0R0J	
R 1778	(B,71,106)	RS1/16SS0R0J		R 2010	(B,36,66)	RS1/4SA8R2J	
R 1781	(B,94,81)	RS1/16SS223J		R 2011	(A,44,89)	RS1/10SR0R0J	
R 1782	(B,94,84)	RS1/16SS223J		R 2012	(B,34,66)	RS1/4SA8R2J	
R 1783	(B,78,77)	RS1/16SS0R0J		R 2013	(B,40,88) (AU)	RS1/10SR0R0J	
R 1784	(B,74,79)	RS1/16SS0R0J		R 2016	(A,42,66)	RS1/16SS101J	F
R 1787	(A,78,83)	RS1/16SS0R0J		R 2017	(A,41,65)	RS1/16SS0R0J	
R 1788	(A,78,84)	RS1/16SS0R0J		R 2018	(A,40,68)	RS1/16SS102J	
R 1791	(B,86,114)	RS1/16SS0R0J		R 2019	(A,40,66)	RS1/16SS103J	

1

2

3

4

Circuit Symbol and No.**Part No.****Circuit Symbol and No.****Part No.**

R 2022	(A,57,62)	RS1/16SS0R0J	C 1062	(B,97,136)	CKSRYB104K50
R 2051	(A,53,63)	RS1/16SS680J	C 1064	(B,92,135)	CKSQYB225K10
R 2076	(B,23,92)	RS1/10SR0R0J	C 1065	(B,89,135)	CKSQYB225K10
R 2221	(A,108,33)	RS1/10SR0R0J			
R 2222	(A,99,25)	RS1/10SR471J	C 1066	(A,82,117) Capacitor	CEHVV100M16
R 2223	(A,95,20)	RS1/16SS153J	C 1067	(B,59,125)	CKSRYB104K50
R 2224	(A,97,24)	RS1/16SS153J	C 1071	(B,111,120)	CKSRYB104K50
R 2225	(A,111,24)	RS1/16SS0R0J	C 1072	(A,107,103) 10 000 uF/16 V	CCH1849(P35)
R 2226	(A,111,21)	RS1/16SS0R0J	C 1091	(B,159,109)	CKSRYB105K16
R 2227	(A,112,18)	RS1/16SS0R0J	C 1092	(B,164,110)	CKSRYB105K16
R 2228	(B,101,30)	RS1/10SR101J	C 1112	(B,158,108)	CKSSYB103K16
R 2229	(B,114,19)	RS1/16SS471J	C 1113	(A,155,105)	CKSYB105K35
R 2233	(B,112,19)	RS1/16SS101J	C 1141	(B,110,139)	CKSRYB105K10
R 2237	(B,102,24)	RS1/16SS0R0J	C 1142	(B,112,138)	CKSRYB102K50
R 2238	(B,102,23)	RS1/16SS0R0J	C 1151	(B,53,128)	CKSSYB102K50
R 2239	(B,102,22)	RS1/16SS202J	C 1161	(A,167,66)	CEVW100M16
R 2240	(B,102,21)	RS1/16SS202J	C 1162	(A,161,84)	CKSSYB102K50
R 2242	(B,97,26)	RS1/10SR222J	C 1164	(A,161,87)	CKSRYB104K50
R 2243	(B,98,26)	RS1/10SR222J	C 1171	(A,156,97)	CEVW100M16
R 2248	(A,102,25)	RS1/16SS0R0J	C 1172	(A,161,96)	CKSSYB102K50
R 2249	(A,98,15)	RS1/16SS0R0J	C 1174	(A,161,99)	CKSRYB104K50
R 2250	(A,106,16)	RS1/16SS0R0J	C 1181	(A,66,98) Capacitor	CEVW330M10
R 2292	(A,90,31)	RS1/16SS104J	C 1201	(B,164,39)	CKSSYB472K25
R 2312	(B,77,23)	RS1/16SS101J	C 1204	(B,141,49)	CCSRCH821J50
R 2313	(B,77,22)	RS1/16SS101J	C 1205	(B,141,42)	CCSRCH221J50
R 2314	(B,83,26)	RS1/16SS221J	C 1206	(B,143,47)	CCSRCH220J50
R 2315	(B,72,14)	RS1/16SS331J	C 1207	(B,143,42)	CCSRCH330J50
R 2352	(B,164,120)	RS1/10SR0R0J	C 1208	(B,141,40)	CCSRCH821J50
R 2353	(A,165,122)	RS1/10SR0R0J	C 1209	(B,147,51)	CCSRCH102J50
R 2357	(B,163,116)	RS1/10SR102J	C 1210	(B,147,39)	CCSRCH102J50
R 2358	(B,162,116)	RS1/10SR102J	C 1211	(B,144,52)	CKSRYB152K50
R 2407	(B,152,22)	RS1/8SQ0R0J	C 1212	(B,144,40)	CKSSYB273K16
R 2408	(A,145,24) (AU)	RS1/16SS0R0J	C 1216	(B,156,46) 4.7 uF	CCG1201
R 2410	(A,147,26) (AU)	RS1/16SS0R0J	C 1217	(B,155,38)	CKSRYB104K50
R 2412	(A,162,18)	RS1/16SS0R0J	C 1218	(B,156,44)	CKSRYB104K50
R 2413	(B,79,17)	RS1/16SS0R0J	C 1219	(B,153,51)	CKSRYB104K50
R 2428	(B,26,132) (UC)	CCSRCH100D50	C 1220	(A,160,39) 10 uF	CCG1236
R 2430	(A,21,101) (UC)	CCSRCH100D50	C 1221	(A,157,50) 10 uF	CCG1236
R 2440	(A,36,32)	RS1/10SR0R0J	C 1223	(A,138,40) 22 uF	CCG1254
R 2442	(A,161,23)	RS1/10SR0R0J	C 1224	(A,140,40) 22 uF	CCG1254
R 2443	(A,21,99) Inductor(UC)	LCYB10NJ1608	C 1226	(A,140,49) 22 uF	CCG1254
	(A,21,99) Resistor(AU)	RS1/10SR0R0J	C 1227	(A,138,49) 22 uF	CCG1254
R 2445	(A,55,8)	RS1/16SS0R0J	C 1241	(B,158,69) 10 uF	CCG1236
R 2449	(A,113,10) (UC)	RS1/16SS121J	C 1243	(B,148,75)	CKSRYB104K50
R 2452	(A,113,7) (AU)	RS1/16SS471J	C 1244	(A,153,69) 100 uF/16 V	CCH1565
R 2459	(A,43,34)	RS1/10SR0R0J	C 1246	(B,148,78)	CKSSYB104K16
			C 1248	(A,131,85) 100 uF/16 V	CCH1565
			C 1249	(A,137,86) 10 uF	CCG1236
			C 1250	(A,140,86) 10 uF	CCG1236

CAPACITORS

C 1001	(A,95,115)	CEAT332M16(P35)	C 1281	(A,128,67) 22 uF	CCG1254
C 1011	(B,123,140)	CKSSYB102K50	C 1282	(B,119,75)	CCSSCH221J50
C 1051	(B,62,125)	CKSRYB104K50	C 1283	(A,122,73)	CKSRYB104K16
C 1053	(B,86,115)	CKSRYB474K16	C 1285	(B,118,70)	CCSRCH151J50
C 1054	(B,89,115)	CKSRYB474K16	C 1287	(A,127,77)	CKSYB225K25
C 1055	(B,86,116)	CKSRYB474K16	C 1302	(B,111,45)	CCSSCH101J50
C 1056	(B,89,116)	CKSRYB474K16	C 1306	(B,107,40)	CCSSCH221J50
C 1057	(B,82,115)	CKSRYB474K16	C 1309	(B,106,36)	CCSSCH471J50
C 1058	(B,78,115)	CKSRYB474K16	C 1310	(B,110,47)	CKSRYB104K16
C 1059	(B,82,116)	CKSRYB474K16	C 1311	(B,93,67)	CKSSYB104K16
C 1060	(B,78,116)	CKSRYB474K16	C 1312	(B,89,62)	CCSSCH101J50
C 1061	(B,97,134)	CKSRYB104K50	C 1313	(B,106,44)	CKSRYB103K50

1

2

3

4

5		6		7		8	
<u>Circuit Symbol and No.</u>		<u>Part No.</u>		<u>Circuit Symbol and No.</u>		<u>Part No.</u>	
C 1314	(B,105,54)	CKSRYB103K50		C 1706	(B,75,90)	CKSRYB104K50	
C 1315	(B,99,68)	CKSSYB103K16		C 1707	(B,75,91)	CKSRYB104K50	
C 1316	(B,103,43)	CCSSCH101J50		C 1708	(B,75,93)	CKSSYB104K16	
C 1317	(B,71,41)	CKSRYB153K50		C 1709	(B,81,92)	CKSSYB104K16	A
C 1318	(B,103,63)	CKSRYB103K50		C 1710	(A,76,89) Capacitor	CEVW330M25	
C 1319	(A,97,37)	CCSSCH100D50		C 1711	(B,80,92)	CKSSYB104K16	
C 1320	(B,71,36)	CKSRYB104K16		C 1713	(B,73,99)	CKSYB475K16	
C 1321	(A,97,40)	CKSRYB103K50		C 1714	(B,93,102)	CKSYB475K16	
C 1322	(A,97,38)	CKSRYB105K10		C 1715	(A,86,91)	CKSSYB104K16	
C 1323	(A,95,37)	CCSSCH100D50		C 1716	(A,89,88)	CEVW100M16	
C 1324	(A,77,36)	CKSRYB104K16		C 1717	(A,82,92)	CKSSYB104K16	
C 1325	(B,94,62)	CKSRYB103K50		C 1718	(A,83,88)	CEVW100M16	
C 1326	(A,91,37) 4.7 uF	CCG1201		C 1721	(B,85,78)	CKSRYB105K10	
C 1327	(B,86,37)	CCSSCH121J50		C 1722	(B,88,78)	CKSRYB105K10	B
C 1328	(B,81,39)	CCSSCH180J50		C 1723	(B,91,78)	CKSRYB105K10	
C 1332	(B,83,37)	CCSSCH680J50		C 1724	(B,91,81)	CKSRYB105K10	
C 1334	(B,84,44)	CKSRYB103K50		C 1726	(B,91,80)	CKSRYB105K10	
C 1335	(B,83,44)	CKSRYB105K10		C 1727	(B,91,82)	CKSRYB105K10	
C 1336	(B,85,50)	CKSRYB103K50		C 1728	(B,91,85)	CKSRYB105K10	
C 1337	(A,78,51)	CKSSYB104K16		C 1729	(B,91,83)	CKSRYB105K10	
C 1339	(B,89,46)	CKSSYB103K16		C 1733	(B,90,89)	CKSRYB105K10	
C 1345	(A,108,69)	CKSRYB102K50		C 1734	(B,88,91)	CKSRYB105K10	
C 1346	(A,107,66)	CEVW100M16		C 1735	(B,90,91)	CKSRYB105K10	
C 1347	(B,79,38)	CCSSCH180J50		C 1738	(B,86,78)	CKSRYB105K10	
C 1349	(B,91,63)	CKSSYB681K50		C 1751	(B,69,68) 4.7 uF	CCG1201	C
C 1471	(B,164,62)	CKSRYB104K16		C 1752	(B,65,70) 4.7 uF	CCG1201	
C 1472	(B,169,66)	CKSSYB102K50		C 1761	(A,91,106)	CKSSYB104K10	
C 1473	(B,169,59)	CKSRYB104K16		C 1763	(A,80,110)	CKSSYB104K10	
C 1474	(B,165,53)	CKSRYB103K50		C 1765	(A,81,106) 10 uF	DCH1165	
C 1475	(B,169,55)	CKSRYB823K16		C 1766	(B,83,108)	CCSSCH100D50	
C 1511	(B,81,67)	CKSRYB104K16		C 1767	(B,81,109)	CKSRYB474K10	
C 1521	(B,31,11)	CCSRCH101J50		C 1769	(B,91,100)	CKSRYB105K10	
C 1522	(B,34,11)	CCSRCH101J50		C 1770	(B,92,99)	CKSRYB105K10	
C 1526	(A,46,13) 10 uF	DCH1201		C 1771	(B,92,97)	CKSRYB105K10	
C 1527	(A,45,12)	CKSRYB104K16		C 1772	(A,86,96)	CKSSYB104K16	
C 1531	(A,54,14) Capacitor	CEVW220M16		C 1773	(A,86,100) Capacitor	CEVW470M16	D
C 1622	(A,58,27)	CKSSYB103K16		C 1774	(B,84,94)	CCSSCH100D50	
C 1623	(A,60,32)	CKSQYB106K6R3		C 1775	(A,80,96) 10 uF	DCH1165	
C 1624	(A,62,34)	CKSSYB104K16		C 1776	(B,77,95)	CKSRYB105K10	
C 1641	(B,111,77) 10 uF	DCH1201		C 1777	(A,77,104)	CKSSYB222K50	
C 1642	(B,107,78) 10 uF	DCH1201		C 1778	(B,75,95)	CKSRYB105K10	
C 1643	(B,108,81)	CCSRCH221J50		C 1779	(A,79,98)	CCSQCH223J50	
C 1644	(B,106,83)	CCSRCH221J50		C 1780	(A,79,100)	CCSQCH223J50	
C 1645	(B,97,84)	CKSSYB104K16		C 1781	(B,74,103) (UC)	CKSRYB105K10	
C 1646	(B,104,79)	CKSRYB103K50		C 1782	(B,93,106) (UC)	CKSRYB105K10	
C 1647	(B,99,78)	CKSRYB104K16		C 1783	(B,74,102) (UC)	CKSRYB105K10	
C 1648	(B,104,81)	CCSRCH151J50		C 1784	(B,93,105) (UC)	CKSRYB105K10	E
C 1649	(B,98,82)	CCSRCH151J50		C 1785	(B,74,100)	CKSRYB105K10	
C 1650	(B,105,86)	CKSQYB225K10		C 1786	(B,74,105)	CKSRYB105K10	
C 1691	(B,83,78)	CKSRYB105K10		C 1787	(B,74,104)	CKSRYB105K10	
C 1692	(B,81,78)	CKSRYB105K10		C 1788	(B,74,107)	CKSRYB105K10	
C 1693	(B,84,78)	CKSRYB105K10		C 1789	(B,77,108)	CKSQYB225K10	
C 1694	(A,89,81)	CEVW100M16		C 1799	(B,47,116) 10 uF	DCH1165	
C 1695	(A,86,81)	CKSRYB104K50		C 1800	(B,47,119) 10 uF	DCH1165	
C 1698	(B,74,80)	CKSRYB104K50		C 1831	(B,150,114) (UC)	CKSSYB472K50	
C 1699	(B,74,81)	CKSRYB104K50		C 1832	(B,148,130) (UC)	CKSRYB104K50	
C 1700	(B,74,82)	CKSRYB104K50		C 1861	(B,165,9)	CCSSCH471J50	F
C 1701	(B,74,84)	CKSRYB104K50		C 1941	(B,33,59) 4.7 uF	CCG1222	
C 1704	(B,74,87)	CKSRYB104K50		C 1943	(B,25,59) 4.7 uF	CCG1201	
C 1705	(B,75,89)	CKSRYB104K50		C 2001	(A,52,90)	CCSSCH330J50	

1

2

3

4

Circuit Symbol and No.Part No.Circuit Symbol and No.Part No.

C 2002 (A,41,87) CKSRYB103K50
 C 2003 (A,54,88) CCSSCH6R0D50
 C 2004 (A,57,88) CKSSYB103K16

C 2246 (B,103,26)
 C 2247 (B,101,26)
 C 2248 (B,102,20)

CKSRYB104K16
 CKSQYB106K6R3
 CKSSYB104K10

A

C 2005 (A,47,83) CKSSYB104K10
 C 2006 (A,44,83) CKSSYB104K10
 C 2009 (A,57,84) CKSSYB103K16
 C 2010 (A,45,83) CKSSYB104K10
 C 2012 (A,58,84) CKSSYB103K16

C 2360 (B,161,119) 22 uF
 C 2424 (B,46,71) (UC)
 C 2425 (B,59,69) (UC)
 C 2663 (B,160,121) 47 uF

DCH1256
 CCSRCH101J50
 CCSRCH101J50
 CCG1251

C 2013 (A,45,82) CKSSYB103K16
 C 2014 (A,42,83) CKSSYB103K16
 C 2015 (A,41,84) 10 uF CCG1192
 C 2016 (A,39,84) CKSSYB223K16
 C 2017 (A,51,84) CKSSYB103K16

IF Unit
Consists of
Keyboard PCB
IF PCB
SD PCB

B

C 2018 (A,49,85) CKSRYB105K10
 C 2019 (A,50,83) CKSSYB223K16
 C 2020 (A,53,80) CKSSYB223K16
 C 2021 (A,44,64) CCSRCH680J50
 C 2022 (A,56,80) CKSRYB224K16

BEG

Unit Number : CWN5866(UC)
: CWN5869(AU)

Unit Name : IF Unit

C 2023 (A,56,79) CKSSYB104K10
 C 2024 (A,34,81) 10 uF CCG1192
 C 2025 (A,55,76) CKSRYB105K10
 C 2026 (A,37,80) CKSSYB104K10
 C 2027 (A,58,75) CKSSYB472K25

MISCELLANEOUS

IC 101 (A,165,19) IC(AU) RS-470
 IC 151 (A,15,99) IC GRF3I-0336S
 IC 152 (B,14,108) IC BA10358F
 IC 153 (B,25,94) IC BU33TA2WNVX
 IC 187 (A,28,88) IC TC7SH08FUS1
 IC 191 (A,31,88) IC TC7SH08FUS1
 IC 195 (A,33,88) IC TC7SH08FUS1
 IC 221 (A,168,91) IC TC7SET04FUS1
 IC 223 (A,164,91) L-MOS And Gate TC7SET08FUS1
 IC 251 (A,119,103) Logic IC TC7WH126FK
 IC 252 (A,110,108) IC TPD1018F
 IC 381 (A,152,77) IC BD9008F
 IC 382 (A,161,94) IC BD82001FVJ
 Q 151 (B,26,105) Transistor 2SB1132
 Q 201 (A,85,96) Transistor LTC114EUB
 Q 202 (A,82,96) Transistor 2SA1587
 Q 204 (A,88,87) Transistor LTC143EUB
 Q 205 (A,82,105) Transistor 2SD1760F5
 Q 261 (B,50,97) Chip Transistor HN1C03FU
 Q 262 (B,44,98) Chip Transistor HN1C03FU
 Q 263 (A,63,90) Transistor(UC) LSA1576UB

C

C 2028 (A,58,76) CKSSYB472K25
 C 2029 (A,34,79) CCSSCH101J50
 C 2030 (A,39,81) CKSSYB104K10
 C 2031 (A,33,79) CKSSYB103K16
 C 2032 (A,58,73) CCSSCH8R0D50

Q 264 (B,43,92) Chip Digital Transistor LTA124EUB
 D 202 (A,89,94) Diode RB551V-30
 D 203 (A,88,91) Diode RKZ6.8KG(B2)
 D 204 (A,86,113) Diode RKZ11KG(B2)
 D 233 (A,159,113) Diode DZ2S180C

■

C 2033 (A,55,74) CKSSYB104K10
 C 2034 (A,34,74) CCSSCH820J50
 C 2036 (A,36,69) CKSRYB474K10
 C 2037 (A,58,68) CCSSCH8R0D50
 C 2038 (A,39,63) CKSSYB104K10

D

C 2041 (A,53,66) 2.2 uF CCG1205
 C 2042 (A,40,63) CKSSYB104K10
 C 2045 (A,52,65) CKSSYB104K10
 C 2046 (A,44,66) CKSSYB104K10
 C 2047 (A,50,65) 2.2 uF CCG1205

D 234 (A,159,112) Diode DZ2S180C
 D 235 (A,165,113) Diode DZ2S180C
 D 236 (B,164,112) Diode RSB12JS2
 D 237 (A,162,101) Diode 1SR154-400
 D 266 (A,67,96) Diode 1SS352

■

C 2048 (A,49,66) CKSSYB104K10
 C 2049 (A,38,68) CKSSYB102K50
 C 2050 (A,46,83) CKSSYB223K16
 C 2051 (A,38,82) CCSSCJ3R0C50
 C 2074 (B,20,93) (UC) CCSSCK2R0C50

E

C 2075 (A,41,89) (UC) CCSSCK1R0C50
 C 2101 (B,46,33) CKSRYB103K50
 C 2221 (A,107,29) CKSQYB106K6R3
 C 2222 (A,106,28) CKSSYB104K10
 C 2223 (A,105,28) CKSSYB104K10

D 271 (B,36,105) Diode DZ2S180C
 D 272 (B,39,123) Diode DZ2S180C
 D 381 (A,159,71) Diode RB055LA-40
 D 2901 (A,6,74) Chip LED NSSM038A-7306
 D 2902 (A,11,14) Chip LED NSSM038A-7306

■

C 2224 (A,104,30) CKSQYB106K6R3
 C 2226 (A,102,23) CKSQYB106K6R3
 C 2227 (A,104,23) CKSSYB104K10
 C 2228 (A,98,16) CKSSYB104K10
 C 2230 (A,108,15) CKSSYB104K10

F

C 2232 (A,111,23) 2.2 uF CCG1205
 C 2235 (B,112,26) CKSSYB104K10
 C 2239 (B,116,23) CKSSYB104K10
 C 2240 (B,115,21) CKSSYB105K6R3
 C 2241 (B,116,19) CKSSYB105K6R3

L 151 (B,20,99) Inductor CTF1736
 L 152 (A,22,97) Inductor CTF1736

C 2242 (B,113,19) CKSSYB104K10
 C 2245 (B,100,19) CKSRYB104K16

1

2

3

4

5		6		7		8	
<u>Circuit Symbol and No.</u>		<u>Part No.</u>		<u>Circuit Symbol and No.</u>		<u>Part No.</u>	
L 153	(A,20,98) Inductor	CTF1736		R 116	(A,162,18) (AU)	RS1/16SS470J	
L 157	(A,22,112) Inductor	LCYC1R0K2125		R 117	(B,145,83)	RS1/16SS0R0J	
L 158	(A,20,108) Inductor	CTF1736		R 118	(B,142,64)	RS1/16SS0R0J	
L 211	(A,27,81) Inductor	CTF1708		R 119	(B,120,26)	RS1/16SS0R0J	A
L 212	(A,30,81) Inductor	CTF1708		R 120	(B,124,46)	RS1/16SS0R0J	
L 213	(A,32,81) Inductor	CTF1708		R 121	(B,159,93)	RS1/16SS0R0J	
L 234	(B,164,109) Choke Coil	CTH1319		R 122	(A,145,11)	RS1/10SR0R0J	
L 381	(A,160,81) Coil	CTH1475		R 123	(A,145,16)	RS1/16SS0R0J	
L 2901	(B,6,86) Inductor	CTF1750		R 124	(A,143,16)	RS1/16SS0R0J	
L 2902	(B,6,88) Inductor	CTF1751		R 131	(A,55,74)	RS1/10SR0R0J	
L 2903	(B,6,90) Inductor	CTF1752		R 141	(A,134,10)	RS1/10SR0R0J	
X 151	(B,17,96) TCXO 16.367 667 MHz	CWX3728		R 142	(A,56,22)	RS1/10SR0R0J	
F 151	(A,14,107) Filter	CTF1706		R 150	(A,105,12)	RS1/10SR0R0J	
F 231	(A,167,111) EMI Filter	CCG1067		R 151	(A,20,94)	RS1/16SS151J	B
F 232	(A,163,111) EMI Filter	CCG1067		R 152	(A,17,104)	RS1/16SS2R7J	
F 233	(A,160,110) EMI Filter	CCG1060		R 153	(A,18,94)	RS1/16SS0R0J	
F 261	(A,56,102) EMI Filter	CCG1082		R 154	(A,16,94)	RS1/16SS0R0J	
F 262	(B,37,103) EMI Filter	CCG1082		R 155	(A,14,94)	RS1/16SS0R0J	
S 3001	(A,6,8) Switch	CSN1057		R 156	(A,13,94)	RS1/16SS101J	
S 3003	(A,12,63) Encoder (VOLUME POWER OFF)	CSD1168		R 157	(A,12,94)	RS1/16SS101J	
S 3004	(A,11,43) Push Switch	CSG1196		R 158	(A,14,103)	RS1/16SS0R0J	
S 3005	(A,10,82) Push Switch	CSG1196		R 159	(A,11,94)	RS1/16SS101J	
S 3006	(A,11,23) Push Switch	CSG1196		R 160	(A,13,110)	RS1/16SS0R0J	
S 3007	(A,11,37) Push Switch	CSG1196		R 161	(B,13,99)	RS1/16SS472J	
S 3008	(A,10,89) Push Switch	CSG1196		R 162	(B,13,98)	RS1/16SS203J	C
△ P201	(B,76,103) Fuse 1 A	CEK1254		R 165	(A,26,107)	RN1/16SC10R0D	
P 241	(B,149,125) Poly Switch	MINISMDC075F/24		R 166	(A,24,107)	RN1/16SSE1501D	
P 261	(B,49,126) Poly Switch	MINISMDC075F/24		R 167	(A,24,108)	RN1/16SSE2402D	
P 262	(B,39,126) Poly Switch	MINISMDC075F/24		R 168	(A,22,108)	RN1/16SSE3302D	
P 263	(B,44,128) Poly Switch	MINISMDC075F/24		R 170	(B,14,103)	RN1/16SSE4702D	
VA261	(B,34,103) Varistor	AVR-M1608C270KT2AB		R 171	(B,10,110)	RN1/16SSE4702D	
VA262	(B,32,103) Varistor	AVR-M1608C270KT2AB		R 172	(B,18,104)	RS1/16SS432J	
VA263	(A,28,111) Varistor	AVR-M1608C270KT2AB		R 173	(A,19,110)	RS1/16SS0R0J	
VA264	(A,28,114) Varistor	AVR-M1608C270KT2AB		R 174	(B,10,106)	RN1/16SSE1002D	
CN101	(B,110,9) Connector	CKS6299		R 175	(B,10,107)	RN1/16SSE2202D	
CN103	(B,151,8) Connector	CKS5732		R 176	(B,10,108)	RN1/16SSE3302D	D
CN201	(A,70,121) Connector	CKS4822		R 177	(B,16,113)	RS1/16SS103J	
CN231	(A,164,123) Connector	CKS5867		R 178	(B,15,114)	RS1/16SS102J	
CN251	(A,119,128) Connector	CKS6155		R 179	(B,22,104)	RS1/16SS102J	
CN261	(A,44,126) Connector	CKS6262		R 180	(B,25,96)	RS1/16SS103J	
CN291	(A,42,9) Connector	CKS6261		R 183	(B,27,96)	RS1/16SS0R0J	
CN2901	(B,10,87) Connector	CKS5749		R 184	(B,31,100)	RS1/10SR0R0J	
CN2902	(B,13,41) Connector	CKS5856		R 185	(A,14,111)	RS1/16SS0R0J	
CN5951	(A,11,10) Connector	CKS6195		R 186	(A,15,111)	RS1/16SS0R0J	
CN5952	(B,11,21) Connector	CKS6302		R 187	(A,29,83)	RS1/16SS0R0J	
JA 151	(A,16,126) Connector	CKS5702		R 190	(A,28,90)	RS1/16SS104J	
JA241	(A,140,124) Connector	CKS4124		R 191	(A,32,83)	RS1/16SS0R0J	E
JA2901	(B,6,93) Antenna	CTX1110		R 194	(A,31,90)	RS1/16SS104J	
				R 195	(A,35,84)	RS1/16SS0R0J	
				R 198	(A,33,90)	RS1/16SS104J	
				R 199	(B,22,98)	RS1/16SS0R0J	
				R 202	(A,82,99)	RS1/16SS103J	
				R 203	(A,84,99)	RS1/16SS512J	
				R 207	(A,84,93)	RS1/4SA681J	
				R 211	(A,27,84)	RS1/16SS101J	
				R 212	(A,30,84)	RS1/16SS101J	
				R 213	(A,33,84)	RS1/16SS101J	
				R 214	(A,17,96)	RS1/16SS101J	F
				R 215	(A,16,95)	RS1/16SS101J	
				R 216	(A,14,95)	RS1/16SS101J	
<u>RESISTORS</u>							
R 102	(B,106,18)	RS1/16SS182J					
R 103	(B,104,17)	RS1/16SS221J					
R 104	(B,119,20)	RS1/16SS0R0J					
R 106	(B,117,16)	RS1/16SS0R0J					
R 107	(B,138,16)	RS1/16SS0R0J					
R 108	(B,136,14)	RS1/16SS0R0J					
R 112	(B,119,16)	RS1/16SS0R0J					
R 115	(B,102,15)	RS1/16SS331J					

1

2

3

4

Circuit Symbol and No.**Part No.****Circuit Symbol and No.****Part No.**

R 222 (A,167,88) RS1/16SS0R0J
 R 223 (A,168,93) RS1/16SS0R0J
 R 226 (A,165,88) RS1/16SS0R0J

R 5953 (B,10,15)
 R 5954 (B,12,13)
 R 5955 (A,12,22)
 R 5956 (A,16,21)
 R 5957 (A,17,21)

RS1/16SS330J
 RS1/16SS0R0J
 RS1/16SS0R0J
 RS1/16SS330J
 RS1/16SS330J

A

R 231 (A,167,108) RS1/10SR0R0J
 R 232 (A,163,108) RS1/10SR0R0J
 R 233 (A,165,111) RS1/10SR0R0J
 R 241 (B,150,120) RS1/16SS102J
 R 242 (B,149,120) RS1/16SS102J

R 5958 (B,10,10)

RS1/16SS330J

CAPACITORS

R 246 (A,118,107) RS1/16SS0R0J
 R 249 (A,122,107) RS1/16SS0R0J
 R 251 (A,118,99) RS1/16SS221J
 R 252 (A,120,100) RS1/10SR105J
 R 254 (A,116,117) RS1/8SQ102J

C 102 (A,162,22) (AU)
 C 131 (A,48,18)
 C 151 (B,17,98)
 C 152 (B,20,97)
 C 153 (A,22,100)
 C 154 (A,19,100)

CKSRYB104K50
 CKSRYB103K50
 CKSSYB103K16
 CKSSYB102K50
 CKSSYB104K10
 CCSSCH101J50

B

R 255 (A,118,117) RS1/8SQ102J
 R 256 (A,120,117) RS1/8SQ102J
 R 257 (A,122,117) RS1/8SQ102J
 R 258 (A,115,103) RS1/16SS0R0J
 R 259 (A,110,120) RS1/8SQ0R0J

C 156 (A,22,98) 10 uF
 C 157 (A,19,98)
 C 158 (A,19,101)
 C 159 (A,18,104)
 C 160 (A,16,104)

CCG1244
 CKSSYB104K10
 CCSSCH470J50
 CKSSYB105K6R3
 CKSSYB104K10

R 261 (A,49,98) RS1/10SR821J
 R 262 (A,47,98) RS1/10SR821J
 R 263 (A,54,98) RS1/10SR821J
 R 264 (A,52,98) RS1/10SR821J
 R 265 (B,46,99) RS1/10SR223J

C 161 (A,15,104)
 C 162 (A,14,105)
 C 163 (A,11,102)
 C 164 (B,13,101)
 C 167 (A,15,114)

CCSSCH470J50
 CCSSCH101J50
 CCSSCH470J50
 CCSSCH470J50
 CCSSCH101J50

C

R 266 (B,41,99) RS1/10SR223J
 R 267 (B,53,99) RS1/10SR223J
 R 268 (B,48,99) RS1/10SR223J
 R 275 (A,59,93) (UC) RS1/16SS103J
 R 276 (A,61,104) RS1/16SS102J

C 168 (A,24,109)
 C 169 (B,20,105)
 C 170 (A,23,113)
 C 171 (B,17,104)
 C 172 (A,19,112)

CKSSYB104K10
 CKSSYB103K16
 CCSSCH101J50
 CCSSCH101J50
 CKSSYB102K50

R 277 (A,59,104) RS1/16SS102J
 R 278 (A,68,105) RS1/16SS102J
 R 279 (A,63,98) RS1/16SS153J
 R 280 (A,61,90) (UC) RS1/16SS103J
 R 281 (A,62,92) (UC) RS1/10SR0R0J

C 173 (A,20,112)
 C 174 (B,18,107)
 C 175 (A,20,109)
 C 176 (B,28,94)
 C 177 (B,23,95)

CKSSYB103K16
 CKSSYB104K10
 CKSSYB104K10
 CKSRYB105K10
 CKSRYB105K10

D

R 282 (A,64,87) (UC) RS1/16SS102J
 R 283 (A,64,88) (UC) RS1/16SS103J
 R 284 (A,65,97) RS1/16SS0R0J
 R 285 (B,50,93) RS1/10SR472J
 R 286 (B,51,93) RS1/10SR472J

C 187 (A,29,84)
 C 191 (A,31,84)
 C 195 (A,34,84)
 C 203 (A,88,112)
 C 205 (A,80,112)

CKSSYB104K16
 CKSSYB104K16
 CKSSYB104K16
 CKSSYB103K16
 CKSSYB103K16

R 287 (B,43,95) RS1/10SR472J
 R 288 (B,44,95) RS1/10SR472J
 R 289 (A,62,87) (AU) RS1/16SS104J
 R 385 (A,150,81) RS1/10SR471J
 R 386 (A,151,83) RS1/10SR6202D
 R 387 (A,153,82) RS1/10SR4701D

C 206 (A,81,116)
 C 221 (A,160,89)
 C 222 (A,166,91)
 C 223 (A,161,98)
 C 224 (A,155,106)

CEVW101M16
 CKSRYB105K10
 CKSSYB104K10
 CKSRYB103K50
 CEVW101M16

E

R 389 (A,153,81) RS1/10SR1202D
 R 390 (A,155,82) RS1/16SS183J
 R 391 (A,147,78) RS1/16SS513J
 R 393 (A,152,61) RS1/8SQ0R0J
 R 394 (A,148,79) RS1/16SS0R0J

C 225 (A,165,89)
 C 241 (B,148,121)
 C 242 (B,150,121)
 C 251 (A,117,103)
 C 254 (A,116,111)

CKSSYB104K10
 CKSSYB102K50
 CKSSYB102K50
 CKSRYB104K16
 CKSRYB103K50

R 396 (A,164,97) RS1/4SA151J
 R 397 (A,166,97) RS1/4SA151J
 R 398 (A,168,97) RS1/4SA151J
 R 405 (B,71,18) (UC) RS1/10SR0R0J
 R 408 (B,80,18) (AU) RS1/10SR0R0J
 R 3031 (B,14,48) RS1/16SS122J

C 255 (A,116,115)
 C 256 (A,105,108)
 C 257 (A,106,108)
 C 258 (A,111,103)
 C 261 (A,49,94) 10 uF

CKSRYB103K50
 CKSSYB103K25
 CKSRYB102K50
 CKSRYB104K50
 DCH1165

F

R 3037 (B,14,76) RS1/16SS242J
 R 3043 (B,15,32) RS1/16SS682J
 R 3044 (B,16,34) RS1/16SS362J
 R 5951 (A,9,21) RS1/16SS330J
 R 5952 (A,10,21) RS1/16SS330J

C 262 (A,47,94) 10 uF
 C 263 (A,54,94) 10 uF
 C 264 (A,52,94) 10 uF
 C 271 (A,62,102)
 C 273 (A,65,99)

DCH1165
 DCH1165
 DCH1165
 CKSRYB103K50
 CKSRYB102K50

1

2

3

4

5		6		7		8	
<u>Circuit Symbol and No.</u>		<u>Part No.</u>		<u>Circuit Symbol and No.</u>		<u>Part No.</u>	
C 274	(A,62,88) (UC)	CKSSYB104K10		R 1104	(A,36,36)	RS1/16SS511J	
C 275	(B,53,128)	CKSRYB103K50		R 1105	(A,42,44)	RS1/16SS4300F	
C 276	(B,37,129)	CKSRYB103K50		R 1106	(A,45,39)	RS1/16SS5600F	
C 382	(A,166,70) 220 uF/6.3 V	CCH1688		R 1109	(A,34,43)	RS1/16SS3R3J	A
C 383	(A,154,82)	CKSSYB153K16		R 1110	(A,41,43)	RS1/16SS3R3J	
C 384	(A,154,72) 4.7 uF	CCG1222					
C 385	(A,155,80)	CCSSCH220J50		R 1111	(A,38,39)	RS1/10SR1R5J	
C 386	(A,154,74)	CKSRYB105K16		R 1112	(A,38,38)	RS1/10SR1R5J	
C 387	(A,153,67) 100 uF/16 V	CCH1565		R 1113	(A,49,46)	RS1/10SR3R3J	
C 388	(A,146,67) 100 uF/16 V	CCH1565		R 1114	(A,48,46)	RS1/10SR3R9J	
				R 1115	(A,41,38)	RS1/10SR1R5J	
C 2901	(A,5,78)	CKSRYB104K50					
C 2902	(A,5,71)	CKSRYB104K50		R 1116	(A,41,39)	RS1/10SR1R5J	
C 2903	(B,7,13)	CKSRYB104K50		R 1117	(A,48,43)	RS1/10SR3R9J	
C 2904	(B,14,12)	CKSRYB104K50		R 1118	(A,49,43)	RS1/10SR3R9J	
C 5958	(B,12,15)	CKSRYB104K50		R 1201	(A,16,36)	RS1/10SR221J	B
				R 1202	(A,17,35)	RS1/16SS221J	

C

Unit Number : YWX5025

Unit Name : DVD Core Unit

MISCELLANEOUS

IC 1002	(B,21,41) Regulator IC	S-1133B50-U5		R 1203	(A,22,35)	RS1/16SS103J	
IC 1003	(B,35,23) IC	S-1200B50-M5		R 1204	(A,19,35)	RS1/16SS153J	
IC 1004	(B,25,11) IC	NJM2885DL1-33		R 1212	(A,7,36)	RS1/16SS271J	
IC 1005	(B,19,21) IC	R1232D121B		R 1213	(B,8,29)	RS1/16SS1R0J	
IC 1201	(A,15,29) IC	BD8231EFV		R 1214	(B,8,27)	RS1/16SS1R0J	
*IC1401	(B,63,36) Flash ROM Unit	CWW3159		R 1215	(B,8,28)	RS1/16SS1R0J	
*IC1402	(B,50,36) Flash ROM Unit	CWW3160		R 1216	(B,8,24)	RS1/16SS1R0J	
IC 1480	(B,59,13) SDRAM(64M)	IS42S16400F-7TL		R 1217	(B,8,25)	RS1/16SS1R0J	
IC 1501	(A,60,20) IC	MN2DS0018MA		R 1218	(B,8,26)	RS1/16SS1R0J	
IC 1801	(B,37,16) D/A Converter	PCM1753DBQ		R 1222	(B,26,39)	RS1/16SS271J	C
				R 1300	(B,39,24)	RS1/16SS0R0J	
				R 1401	(B,63,49)	RS1/16SS221J	
				R 1402	(B,70,27)	RS1/16SS104J	
				R 1405	(B,56,24)	RS1/16SS104J	
				R 1406	(B,54,25)	RS1/16SS104J	
				R 1480	(B,52,21)	RAB4CQ560J	
				R 1481	(B,56,21)	RAB4CQ560J	
				R 1482	(B,61,21)	RAB4CQ560J	
				R 1483	(B,64,21)	RAB4CQ560J	
				R 1484	(B,67,21)	RAB4CQ560J	
				R 1485	(B,50,5)	RAB4CQ560J	D
				R 1486	(B,55,5)	RAB4CQ560J	
				R 1487	(B,64,5)	RAB4CQ560J	
				R 1488	(B,68,5)	RAB4CQ560J	
				R 1489	(B,59,5)	RS1/16SS560J	
				R 1490	(B,50,21)	RS1/16SS560J	
				R 1501	(B,46,7)	RS1/16SS122J	
				R 1503	(B,45,8)	RS1/16SS105J	
				R 1504	(B,45,13)	RS1/16SS120J	
				R 1505	(A,43,13)	RS1/16SS101J	
				R 1506	(A,37,14)	RS1/16SS101J	E
				R 1507	(A,44,14)	RS1/16SS101J	
				R 1508	(A,43,15)	RS1/16SS221J	
				R 1509	(A,63,35)	RS1/16SS102J	
				R 1510	(A,64,35)	RS1/16SS102J	

RESISTORS

R 1002	(B,18,27)	RS1/16SS101J		R 1511	(B,46,13)	RS1/16S0R0J	
R 1004	(A,29,27)	RS1/16SS4702D		R 1512	(A,58,5)	RS1/16SS101J	
R 1007	(A,29,26)	RS1/16SS6801D		R 1513	(A,66,35)	RS1/16SS103J	
R 1019	(B,15,9)	RS1/16SS101J		R 1514	(A,68,35)	RS1/16SS183J	
R 1021	(A,27,15)	RS1/16SS0R0J		R 1516	(A,65,36)	RS1/16SS103J	
				R 1517	(A,76,16)	RS1/16SS103J	F
				R 1518	(A,74,24)	RS1/16SS103J	
				R 1519	(A,70,34)	RS1/16SS102J	
				R 1522	(A,65,38)	RS1/16SS104J	
				R 1523	(A,66,37)	RS1/16SS221J	

1

2

3

4

Circuit Symbol and No.Part No.Circuit Symbol and No.Part No.

R 1524 (A,64,37) RS1/16SS472J
 R 1525 (A,71,34) RS1/16SS103J
 R 1526 (A,67,34) RS1/16SS103J
 R 1527 (B,77,29) RS1/16SS682J
 R 1528 (A,78,20) RS1/16SS103J

C 1111 (A,61,39)
 C 1112 (B,40,39)
 C 1113 (B,36,38)
 C 1201 (B,12,34)
 C 1204 (A,8,24)
 C 1205 (A,13,23)

CKSRYB224K16
 CKSYB226K6R3
 CKSYB226K6R3
 CEVW101M16
 CKSSYB222K50
 CKSSYB104K16

R 1529 (A,76,18) RS1/16SS103J
 R 1530 (A,77,20) RS1/16SS103J
 R 1531 (A,75,24) RS1/16SS103J
 R 1533 (A,75,29) RS1/16SS104J
 R 1534 (A,78,30) RS1/16SS221J

C 1207 (A,22,25)
 C 1208 (A,15,36)
 C 1209 (B,10,25)
 C 1210 (B,6,23)
 C 1211 (B,9,22)

CKSSYB104K16
 CKSSYB103K16
 CKSSYB104K16
 CKSSYB104K16
 CKSRYB475K16

R 1535 (B,70,34) RS1/16SS104J
 R 1536 (A,78,31) RS1/16SS104J
 R 1537 (A,73,35) RS1/16SS104J
 R 1538 (A,61,4) RS1/16SS104J
 R 1539 (A,77,23) RS1/16SS104J

C 1401 (B,63,48)
 C 1403 (B,69,23)
 C 1404 (B,58,25)
 C 1408 (B,47,25)
 C 1409 (B,47,23)

CKSSYB103K16
 CKSSYB104K10
 CKSQYB475K6R3
 CKSSYB104K10
 CKSQYB475K6R3

R 1540 (A,73,32) RS1/16SS221J
 R 1541 (A,75,32) RS1/16SS221J
 R 1542 (A,77,29) RS1/16SS103J
 R 1544 (B,77,28) RS1/16SS181J

C 1480 (B,47,21)
 C 1481 (B,49,23)
 C 1482 (B,54,21)
 C 1484 (B,59,20)
 C 1485 (B,69,21)

CKSSYB104K10
 CKSSYB104K10
 CKSSYB104K10
 CKSSYB104K10
 CKSSYB104K10

R 1546 (B,75,29) RS1/16SS682J
 R 1601 (A,42,25) RS1/16SS123J
 R 1602 (A,44,25) RS1/16SS123J
 R 1603 (A,43,30) RN1/16SE1002D
 R 1604 (A,50,35) RS1/16SS105J

C 1487 (B,58,4)
 C 1488 (B,52,5)
 C 1489 (B,45,20)
 C 1490 (B,45,23)
 C 1501 (B,72,9)

CKSSYB104K10
 CKSSYB104K10
 CKSSYB104K10
 CKSSYB104K10
 CKSQYB106K6R3

R 1605 (A,49,37) RS1/16SS105J
 R 1670 (A,34,21) RS1/16SS1002D
 R 1671 (A,36,21) RS1/16SS2402D
 R 1672 (A,45,19) RS1/16SS2000D
 R 1674 (A,45,20) RS1/16SS3002D

C 1502 (A,35,32)
 C 1503 (A,60,4)
 C 1504 (A,51,5)
 C 1505 (A,53,5)
 C 1506 (A,55,5)

CKSQYB106K6R3
 CKSSYB104K10
 CKSSYB104K10
 CKSSYB104K10
 CKSSYB104K10

R 1801 (B,35,6) RS1/16SS104J
 R 1802 (B,33,6) RS1/16SS104J
 R 1803 (B,35,11) RS1/16SS821J
 R 1804 (B,34,11) RS1/16SS821J

C 1507 (A,62,5)
 C 1508 (A,66,5)
 C 1509 (A,69,5)
 C 1510 (B,46,5)
 C 1511 (A,46,9)

CKSSYB104K10
 CKSSYB104K10
 CKSSYB104K10
 CCSSCH120J50
 CKSSYB104K10

CAPACITORS

C 1001 (B,36,21) CKSRYB105K10
 C 1003 (B,18,44) CKSSYB104K16
 C 1004 (B,24,40) 4.7 uF CCG1201
 C 1005 (B,32,23) CKSRYB105K16
 C 1008 (B,20,31) 10 uF DCH1201

C 1512 (B,43,10)
 C 1513 (B,74,12)
 C 1514 (A,46,13)
 C 1515 (A,45,15)
 C 1516 (A,75,15)

CCSSCH100D50
 CKSSYB104K10
 CKSSYB104K10
 CKSSYB104K10
 CKSSYB104K10

C 1009 (B,18,31) 10 uF DCH1201
 C 1010 (B,26,18) CKSQYB225K10
 C 1011 (B,22,18) CKSRYB105K10
 C 1013 (B,15,25) 10 uF DCH1201
 C 1014 (B,13,25) 10 uF DCH1201

C 1517 (A,74,16)
 C 1518 (A,75,22)
 C 1519 (A,74,26)
 C 1520 (A,75,30)
 C 1521 (A,60,37)

CKSSYB104K10
 CKSSYB104K10
 CKSSYB104K10
 CKSSYB104K10
 CKSSYB104K10

C 1015 (B,7,8) CKSSYB102K50
 C 1016 (B,12,10) CKSSYB102K50
 C 1018 (A,28,28) CKSSYB104K10
 C 1019 (A,10,17) CKSSYB104K10
 C 1021 (B,34,4) CCSRCH681J50

C 1522 (A,65,34)
 C 1523 (A,68,37)
 C 1524 (A,69,37)
 C 1526 (A,68,37)
 C 1528 (A,78,29)

CKSSYB104K10
 CKSSYB104K10
 CKSSYB104K10
 CKSSYB473K16
 CKSSYB103K16
 CCSSCH471J50

C 1022 (A,23,21) CCSRCH681J50
 C 1101 (B,31,40) 10 uF CCG1192
 C 1104 (A,34,42) CKSSYB104K10
 C 1105 (A,42,45) CKSSYB104K10
 C 1106 (A,37,48) CKSSYB103K16

C 1601 (A,44,29)
 C 1602 (A,42,24)
 C 1603 (A,44,27)
 C 1604 (A,41,27)
 C 1605 (A,43,27)

CKSSYB103K16
 CCSSCH101J50
 CCSSCH101J50
 CCSSCH680J50
 CCSSCH680J50

C 1107 (A,41,49) CKSSYB103K16
 C 1108 (A,74,42) CKSSYB103K16
 C 1109 (A,56,41) CKSRYB224K16
 C 1110 (A,71,42) CKSSYB103K16

C 1606 (A,41,23)
 C 1607 (A,41,35)
 C 1608 (A,43,36)
 C 1609 (A,48,35)

CKSSYB104K10
 CKSQYB106K6R3
 CKSRYB105K10
 CKSSYB104K10

1

2

3

4

5		6		7		8	
<u>Circuit Symbol and No.</u>		<u>Part No.</u>		<u>Circuit Symbol and No.</u>		<u>Part No.</u>	
C 1610	(A,50,37)	CKSSYB104K10		IC 3300	(A,55,21) IC	NJU6062V	
C 1611	(A,51,37)	CKSSYB104K10		IC 3360	(A,14,25) IC	AK4388VT	
C 1612	(A,52,34)	CKSSYB104K10		IC 4001	(A,47,95) IC	TT4421	
C 1613	(A,52,37)	CKSSYB104K10		IC 4203	(A,20,60) IC	S-80944CNMC-G9E	A
C 1614	(A,53,34)	CKSSYB104K10		IC 4204	(B,63,42) IC	LTC3412AEFE	
C 1615	(A,54,34)	CKSSYB104K10		IC 4205	(B,42,43) IC	LTC3412AEFE	
C 1616	(A,54,37)	CKSSYB104K10		IC 4206	(A,20,63) IC	S-80929CNMC-G8Z	
C 1617	(A,54,38)	CKSSYB104K10		IC 4207	(A,21,43) IC	TC7SH08FUS1	
C 1618	(A,56,34)	CCSSCH101J50		IC 4208	(B,22,128) Regulator IC	NJM2878F3-15	
C 1619	(A,57,34)	CKSSYB562K25		IC 4209	(A,20,104) Regulator IC	NJM2878F3-25	
C 1620	(A,58,34)	CKSSYB224K6R3		IC 4211	(A,19,72) Regulator IC	NJM2878F3-18	
C 1621	(A,57,37)	CKSSYB224K6R3		IC 4212	(A,26,44) IC	TC7SH08FUS1	
C 1622	(A,59,35)	CKSSYB333K16		IC 4216	(B,42,52) IC	S-80830CLMC-B6P	
C 1623	(A,45,35)	CKSRYB105K10		IC 4217	(A,24,55) IC	S-80835CLMC-B6U	
C 1624	(A,58,37)	CKSSYB104K10		IC 4219	(A,40,131) IC	BD6522F	B
C 1625	(A,56,37)	CKSSYB104K10		IC 4281	(B,67,49) IC	S-80844CLMC-B65	
C 1671	(A,44,17)	CKSSYB104K10		IC 4361	(A,26,137) IC	S-1132B33-M5	
C 1672	(A,45,18)	CKSSYB104K10		IC 4401	(A,71,95) IC	H5DU5162ETR-E3C	
C 1673	(A,45,22)	CKSSYB104K10		IC 4402	(A,71,68) IC	H5DU5162ETR-E3C	
C 1674	(A,43,21)	CKSSYB104K10		IC 4403	(A,46,77) Flash ROM Unit(Service)	CXX3406	
C 1676	(A,38,22)	CKSRYB105K10		IC 4404	(B,71,95) IC	H5DU5162ETR-E3C	
C 1801	(B,34,8)	CKSRYB105K10		IC 4405	(B,71,68) IC	H5DU5162ETR-E3C	
C 1802	(B,32,8)	CKSRYB105K10		IC 4406	(A,36,70) SRAM	CY62147EV30LL45BVA	
C 1803	(B,36,8)	CCSRCH182J50		IC 4407	(A,29,66) IC	TC7PA53FU	
C 1804	(B,31,7)	CCSRCH182J50		IC 4501	(B,41,122) IC	PEN002A	C
C 1805	(B,32,19)	CKSSYB104K10		IC 4621	(B,50,61) IC	PE9019A	
C 1806	(B,39,9) 10 uF	CCG1192		IC 4654	(B,31,81) IC	WM1616LGEFL	
C 1809	(B,43,16)	CKSSYB104K10		IC 4701	(B,25,52) IC	341S2162	
C 1934	(B,42,29)	CCSRCH680J50		IC 4901	(A,25,119) IC	TC90192XBG	
C 1954	(B,43,49)	CCSRCH470J50		IC 5451	(A,39,45) IC	BA2115F	
				IC 5508	(A,74,125) IC	OZ9990IRN	
				IC 5513	(A,28,81) IC	AK8859VN	
				IC 5514	(A,41,25) IC	NJM2125F	
				Q 3360	(B,12,27) Transistor	LTC114EUB	
				Q 4206	(A,42,140) Transistor	LTC114EUB	
				Q 4207	(B,58,80) Transistor	LTC114EUB	D
				Q 4209	(A,45,137) Transistor	2SB1689	
				Q 4210	(B,60,72) Transistor	LSA1576UB	
				Q 4211	(B,56,73) Transistor	LSC4081UB	
				Q 4212	(B,60,94) Transistor	LTC114EUB	
				Q 4214	(B,60,100) Transistor	LSA1576UB	
				Q 4216	(B,60,90) Transistor	LTC114EUB	
				Q 4217	(B,56,95) Transistor	LSA1576UB	
				Q 4218	(B,53,82) Transistor	LSA1576UB	
				Q 4701	(B,25,58) Transistor	LTC114TUB	
				Q 4903	(A,32,109) Transistor	2SC4617	
				Q 5117	(A,64,133) FET	SP8K22	E
				D 3300	(B,61,29) Diode	RKZ5.6KG(B2)	
				D 3301	(B,61,31) Diode	RKZ5.6KG(B2)	
				D 3302	(B,61,32) Diode	RKZ5.6KG(B2)	
				D 3303	(B,61,34) Diode	RKZ5.6KG(B2)	
				D 4201	(B,35,47) Diode	RB521G-30	
				D 4202	(B,64,36) Diode	RB521G-30	
				D 4361	(A,21,133) Diode	RB551V-30	
				D 5504	(A,67,134) Diode	RB160VA-40	
				D 5509	(A,70,132) Diode	RB551V-30	
				L 3300	(A,59,28) Ferrite Bead	CTF1528	F
				L 3301	(A,64,28) Ferrite Bead	CTF1528	
				L 3302	(A,59,30) Ferrite Bead	CTF1528	
				L 3303	(A,57,32) Ferrite Bead	CTF1528	

D

Unit Number :

Unit Name : **Connect PCB**

MISCELLANEOUS

S 101	(B,52,38) Spring Switch(HOME)	CSN1081
S 102	(B,12,23) Spring Switch(DSCSNS)	CSN1081
S 103	(B,22,10) Spring Switch(8SNS)	CSN1081
CN101	(B,41,25) Connector	CKS6063
CN701	(A,40,25) Connector	CKS6003

RESISTORS

R 101	(B,53,27)	RS1/16S101J
R 102	(B,16,29)	RS1/16S101J
R 103	(B,16,11)	RS1/16S101J

CAPACITORS

C 101	(B,51,23)	CKSRYB104K50
-------	-----------	--------------

F

Unit Number : **CXX3400(UC)**

: **CXX3403(AU)**

Unit Name : **CC Monitor Unit(Service)**

MISCELLANEOUS

1

2

3

4

Circuit Symbol and No.**Part No.****Circuit Symbol and No.****Part No.**

L 3360 (A,13,34) Inductor LCTAW2R7J2520
 L 3361 (B,11,24) Inductor CTF1792
 L 4002 (B,56,99) Inductor CTF1736
 L 4005 (B,43,87) Inductor CTF1736
 L 4006 (B,52,104) Inductor CTF1736

L 5712 (B,38,139) Resistor RS1/16SS271J
 L 5713 (B,38,137) Resistor RS1/16SS271J
 L 5714 (B,37,139) Resistor RS1/16SS271J
 L 5715 (B,37,137) Resistor RS1/16SS271J
 TH3201 (A,78,33) Thermistor CCX1084

L 4007 (B,42,88) Inductor CTF1736
 L 4010 (B,36,91) Inductor CTF1736
 L 4011 (B,47,102) Inductor CTF1736
 L 4012 (B,47,104) Inductor CTF1736
 L 4013 (B,47,104) Inductor CTF1736

X 4001 (A,34,92) Oscillator 12.000 MHz CSS1708
 X 4002 (A,36,98) Oscillator 32.768 kHz CSS1777
 X 4652 (B,42,81) Oscillator 24.576 MHz CWX3635
 X 4901 (A,28,109) Oscillator 42.000 000 MHz CSS1779
 X 4902 (A,29,89) Oscillator 24.576 MHz CSS1699

L 4014 (B,56,91) Inductor CTF1736
 L 4015 (B,50,82) Inductor CTF1736
 L 4016 (B,45,99) Inductor CTF1736
 L 4018 (B,41,89) Inductor CTF1736
 L 4202 (B,22,91) Choke Coil CTH1319

F 4001 (B,55,100) Chip EMI Filter VTL1171
 F 4003 (B,51,103) Chip EMI Filter VTL1171
 F 4005 (B,35,92) Chip EMI Filter VTL1171
 F 4201 (A,13,51) EMI Filter CCG1162
 F 4202 (A,13,61) EMI Filter CCG1162

L 4209 (A,10,69) Inductor CTF1739
 L 4213 (A,12,89) Inductor CTF1739
 L 4215 (A,16,63) Inductor CTF1739
 L 4224 (B,56,42) Choke Coil 1.2 uH CTH1495
 L 4225 (B,48,43) Choke Coil 1.2 uH CTH1495

F 4204 (A,20,67) EMI Filter CCG1162
 F 4409 (A,28,69) Chip EMI Filter DTL1106
 F 4651 (B,45,81) Chip EMI Filter DTL1106
 F 4901 (B,18,124) Chip EMI Filter DTL1106
 F 5005 (A,10,45) Chip EMI Filter DTF1106

L 4246 (A,19,51) Inductor CTF1739
 L 4380 (B,24,66) Chip EMI Filter DTF1106
 L 4410 (A,54,75) Inductor CTF1736
 L 4414 (A,26,69) Inductor CTF1736
 L 4415 (A,28,64) Inductor CTF1736

⚠ P4201 (B,49,39) Fuse 1.75 A CEK1283
 ⚠ P4202 (B,52,44) Fuse 1.5 A CEK1282
 VA3300 (A,61,27) Varistor AVR-M1608C120MT6AB
 VA3301 (A,66,30) Varistor AVR-M1608C120MT6AB
 VA3302 (A,60,29) Varistor AVR-M1608C120MT6AB

L 4501 (A,47,121) Inductor CTF1736
 L 4502 (A,42,123) Inductor CTF1736
 L 4651 (B,45,82) Inductor CTF1736
 L 4781 (B,39,78) Inductor CTF1736
 L 4782 (B,32,89) Inductor CTF1736

VA3303 (A,59,33) Varistor AVR-M1608C120MT6AB
 CN3300 (B,69,30) Connector CKS6327
 CN3303 (B,77,18) Connector CKS6320
 CN3360 (B,19,23) Connector CKS6117
 CN4602 (B,60,127) Connector CKS6302

L 4784 (B,60,67) Inductor CTF1736
 L 4785 (A,48,137) Inductor CTF1736
 L 4786 (B,39,65) Inductor CTF1736
 L 4788 (B,21,57) Inductor CTF1736
 L 4903 (B,27,129) Inductor CTF1736

CN5605 (B,38,142) Connector CKS6278
 CN5607 (B,11,59) Connector CKS6118
 CN5608 (B,11,93) Connector CKS5732
 CN5609 (B,75,132) Connector CKS5659
 SN4201 (A,38,114) Sensor S-58LM20A-N4

L 4904 (B,22,104) Inductor CTF1736
 L 4905 (B,19,126) Inductor CTF1736
 L 4931 (A,36,75) Inductor CTF1736
 L 4933 (A,18,79) Inductor CTF1736
 L 4934 (B,25,104) Inductor CTF1736

RESISTORS

R 3100 (A,79,127) RS1/16SS103J
 R 3101 (A,79,124) RS1/16SS103J
 R 3102 (A,76,132) RS1/16SS103J
 R 3103 (A,58,119) RS1/8SQ0R0J
 R 3201 (B,10,40) RS1/16SS183J

L 4936 (A,19,79) Inductor CTF1736
 L 5609 (A,63,125) Inductor ATH7074
 L 5632 (B,33,134) Inductor CTF1635
 L 5695 (B,35,139) Resistor RS1/16SS0R0J
 L 5696 (B,35,137) Resistor RS1/16SS0R0J

R 3202 (B,10,39) RS1/16SS0R0J
 R 3325 (A,53,16) RS1/10SR471J
 R 3330 (A,54,15) RS1/10SR101J
 R 3335 (A,56,15) RS1/10SR301J
 R 3336 (A,55,27) RS1/16SS0R0J

L 5697 (B,47,139) Resistor RS1/16SS271J
 L 5698 (B,46,139) Resistor RS1/16SS271J
 L 5699 (B,46,137) Resistor RS1/16SS271J
 L 5700 (B,45,139) Resistor RS1/16SS271J
 L 5701 (B,45,137) Resistor RS1/16SS271J

R 3337 (A,54,27) RS1/16SS0R0J
 R 3338 (A,56,27) RS1/16SS471J
 R 3339 (A,11,61) RS1/10SR0R0J
 R 3343 (A,14,49) RS1/16SS0R0J
 R 3344 (A,54,29) RS1/16SS472J

L 5702 (B,44,139) Resistor RS1/16SS271J
 L 5703 (B,44,137) Resistor RS1/16SS271J
 L 5704 (B,43,139) Resistor RS1/16SS271J
 L 5705 (B,42,137) Resistor RS1/16SS271J
 L 5706 (B,42,139) Resistor RS1/16SS271J

R 3345 (A,55,30) RS1/16SS472J
 R 3360 (A,23,35) RS1/16SS221J
 R 3361 (A,23,36) RS1/16SS221J
 R 3362 (A,21,34) RS1/16SS223J
 R 3363 (A,21,37) RS1/16SS223J

L 5707 (B,41,137) Resistor RS1/16SS271J
 L 5708 (B,41,139) Resistor RS1/16SS271J
 L 5709 (B,40,137) Resistor RS1/16SS271J
 L 5710 (B,39,139) Resistor RS1/16SS271J
 L 5711 (B,39,137) Resistor RS1/16SS271J

R 3364 (A,15,19) RS1/16SS103J
 R 3365 (A,17,19) RS1/16SS103J

1

2

3

4

5		6		7		8	
<u>Circuit Symbol and No.</u>		<u>Part No.</u>		<u>Circuit Symbol and No.</u>		<u>Part No.</u>	
R 3366	(B,15,18)	RS1/16SS470J	RS1/16SS470J	R 4057	(B,35,101)	RS1/16SS821J	RS1/16SS821J
R 3367	(A,16,19)	RS1/16SS103J	RS1/16SS103J	R 4058	(B,50,106)	RS1/16SS222J	RS1/16SS222J
R 3368	(B,15,17)	RS1/16SS470J	RS1/16SS470J	R 4059	(B,42,96)	RS1/16SS153J	RS1/16SS153J
R 3369	(B,15,19)	RS1/16SS470J	RS1/16SS470J	R 4060	(A,33,103)	RS1/16SS222J	RS1/16SS222J
R 3371	(A,13,19)	RS1/16SS470J	RS1/16SS470J	R 4061	(B,38,102)	RS1/16SS104J	RS1/16SS104J
R 3372	(A,21,19)	RS1/16SS473J	RS1/16SS473J	R 4062	(A,35,103)	RS1/16SS222J	RS1/16SS222J
R 3373	(A,17,41)	RS1/16SS470J	RS1/16SS470J	R 4063	(B,52,102)	RS1/16SS222J	RS1/16SS222J
R 3374	(A,17,39)	RS1/16SS103J	RS1/16SS103J	R 4064	(A,38,96)	RS1/16SS103J	RS1/16SS103J
R 3375	(A,16,41)	RS1/16SS470J	RS1/16SS470J	R 4065	(A,34,104)	RS1/16SS222J	RS1/16SS222J
R 3376	(B,9,24)	RS1/16SS470J	RS1/16SS470J	R 4066	(A,52,109)	RS1/16SS0R0J	RS1/16SS0R0J
R 3377	(B,12,19)	RS1/16SS0R0J	RS1/16SS0R0J	R 4067	(A,51,109)	RS1/16SS0R0J	RS1/16SS0R0J
R 3378	(B,10,26)	RS1/16SS0R0J	RS1/16SS0R0J	R 4068	(B,45,86)	RS1/8SQ0R0J	RS1/8SQ0R0J
R 3380	(B,15,21)	RS1/16SS223J	RS1/16SS223J	R 4069	(A,39,77)	RS1/16SS471J	RS1/16SS471J
R 3383	(B,15,27)	RS1/16SS0R0J	RS1/16SS0R0J	R 4070	(A,31,101)	RS1/16SS102J	RS1/16SS102J
R 3386	(B,15,25)	RS1/16SS222J	RS1/16SS222J	R 4071	(A,31,100)	RS1/16SS102J	RS1/16SS102J
R 4000	(A,56,109)	RS1/16SS0R0J	RS1/16SS0R0J	R 4072	(A,31,102)	RS1/16SS102J	RS1/16SS102J
R 4001	(B,58,96)	RS1/16SS222J	RS1/16SS222J	R 4073	(B,49,104)	RS1/16SS272J	RS1/16SS272J
R 4002	(B,58,97)	RS1/16SS222J	RS1/16SS222J	R 4101	(B,62,101)	RAB4CQ220J	RAB4CQ220J
R 4004	(B,59,108)	RS1/16SS103J	RS1/16SS103J	R 4102	(B,62,91)	RAB4CQ220J	RAB4CQ220J
R 4005	(A,63,43)	RS1/16SS103J	RS1/16SS103J	R 4103	(B,62,88)	RAB4CQ220J	RAB4CQ220J
R 4006	(B,58,99)	RS1/16SS182J	RS1/16SS182J	R 4104	(B,62,98)	RAB4CQ220J	RAB4CQ220J
R 4007	(B,58,100)	RS1/16SS103J	RS1/16SS103J	R 4105	(B,63,75)	RAB4CQ220J	RAB4CQ220J
R 4008	(B,61,108)	RS1/16SS103J	RS1/16SS103J	R 4106	(B,63,81)	RAB4CQ220J	RAB4CQ220J
R 4009	(B,60,108)	RS1/16SS103J	RS1/16SS103J	R 4107	(B,63,78)	RAB4CQ220J	RAB4CQ220J
R 4010	(B,50,85)	RS1/16SS0R0J	RS1/16SS0R0J	R 4108	(B,63,72)	RAB4CQ220J	RAB4CQ220J
R 4013	(A,32,96)	RS1/16SS103J	RS1/16SS103J	R 4109	(B,41,102)	RS1/16SS0R0J	RS1/16SS0R0J
R 4014	(B,47,101)	RS1/16SS0R0J	RS1/16SS0R0J	R 4110	(A,47,85)	RAB4CQ220J	RAB4CQ220J
R 4016	(B,48,105)	RS1/16SS6041F	RS1/16SS6041F	R 4111	(A,44,85)	RAB4CQ220J	RAB4CQ220J
R 4017	(A,37,93)	RS1/16SS105J	RS1/16SS105J	R 4112	(A,45,82)	RAB4CQ220J	RAB4CQ220J
R 4018	(B,48,103)	RS1/16SS0R0J	RS1/16SS0R0J	R 4113	(A,42,82)	RAB4CQ220J	RAB4CQ220J
R 4020	(A,37,98)	RS1/16SS106J	RS1/16SS106J	R 4114	(B,42,102)	RS1/16SS0R0J	RS1/16SS0R0J
R 4021	(A,33,96)	RS1/16SS103J	RS1/16SS103J	R 4115	(A,44,104)	RS1/16SS560J	RS1/16SS560J
R 4022	(A,37,96)	RS1/16SS101J	RS1/16SS101J	R 4116	(A,46,107)	RS1/16SS220J	RS1/16SS220J
R 4024	(A,36,94)	RS1/16SS471J	RS1/16SS471J	R 4117	(A,45,104)	RS1/16SS220J	RS1/16SS220J
R 4025	(B,43,102)	RS1/16SS103J	RS1/16SS103J	R 4118	(A,45,104)	RS1/16SS220J	RS1/16SS220J
R 4026	(A,55,77)	RS1/16SS220J	RS1/16SS220J	R 4119	(A,44,106)	RS1/16SS220J	RS1/16SS220J
R 4027	(A,62,101)	RAB4CQ104J	RAB4CQ104J	R 4120	(A,45,106)	RS1/16SS220J	RS1/16SS220J
R 4028	(A,58,101)	RAB4CQ104J	RAB4CQ104J	R 4121	(A,39,80)	RS1/16SS0R0J	RS1/16SS0R0J
R 4029	(A,61,107)	RAB4CQ104J	RAB4CQ104J	R 4133	(A,40,81)	RS1/16SS330J	RS1/16SS330J
R 4030	(B,48,101)	RS1/16SS102J	RS1/16SS102J	R 4134	(A,39,81)	RS1/16SS330J	RS1/16SS330J
R 4032	(B,49,84)	RS1/16SS0R0J	RS1/16SS0R0J	R 4135	(A,41,80)	RS1/16SS220J	RS1/16SS220J
R 4033	(A,57,81)	RS1/16SS220J	RS1/16SS220J	R 4136	(A,52,80)	RS1/16SS220J	RS1/16SS220J
R 4034	(A,63,39)	RS1/16SS103J	RS1/16SS103J	R 4137	(A,51,80)	RS1/16SS470J	RS1/16SS470J
R 4035	(A,63,38)	RS1/16SS103J	RS1/16SS103J	R 4138	(A,40,80)	RS1/16SS0R0J	RS1/16SS0R0J
R 4036	(A,63,41)	RS1/16SS103J	RS1/16SS103J	R 4139	(A,54,81)	RAB4CQ470J	RAB4CQ470J
R 4037	(A,63,42)	RS1/16SS103J	RS1/16SS103J	R 4140	(A,51,82)	RAB4CQ470J	RAB4CQ470J
R 4038	(A,61,104)	RAB4CQ104J	RAB4CQ104J	R 4141	(A,50,85)	RAB4CQ470J	RAB4CQ470J
R 4040	(A,63,37)	RS1/16SS103J	RS1/16SS103J	R 4142	(A,48,82)	RAB4CQ470J	RAB4CQ470J
R 4043	(B,33,91)	RS1/16SS222J	RS1/16SS222J	R 4143	(A,46,105) Ferrite Bead	CTF1801	CTF1801
R 4044	(B,34,92)	RS1/16SS222J	RS1/16SS222J	R 4144	(A,47,104)	RS1/16SS470J	RS1/16SS470J
R 4045	(B,61,84)	RS1/16SS222J	RS1/16SS222J	R 4145	(B,46,106)	RAB4CQ680J	RAB4CQ680J
R 4046	(A,63,40)	RS1/16SS103J	RS1/16SS103J	R 4146	(B,43,106)	RAB4CQ680J	RAB4CQ680J
R 4048	(A,14,96)	RS1/16SS222J	RS1/16SS222J	R 4147	(A,38,81)	RS1/16SS330J	RS1/16SS330J
R 4049	(A,14,101)	RS1/16SS222J	RS1/16SS222J	R 4148	(B,63,86)	RS1/16SS220J	RS1/16SS220J
R 4050	(A,33,88)	RS1/16SS104J	RS1/16SS104J	R 4149	(B,63,86)	RS1/16SS220J	RS1/16SS220J
R 4051	(A,33,87)	RS1/16SS104J	RS1/16SS104J	R 4150	(B,63,85)	RS1/16SS220J	RS1/16SS220J
R 4052	(A,40,108)	RS1/16SS104J	RS1/16SS104J	R 4151	(B,63,84)	RS1/16SS220J	RS1/16SS220J
R 4053	(A,31,99)	RS1/16SS104J	RS1/16SS104J	R 4152	(B,42,101)	RS1/16SS473J	RS1/16SS473J
R 4054	(A,31,103)	RS1/16SS104J	RS1/16SS104J	R 4153	(B,42,104)	RS1/16SS103J	RS1/16SS103J
R 4055	(A,31,87)	RS1/16SS684J	RS1/16SS684J	R 4154	(B,55,89)	RN1/16SSE1501D	RN1/16SSE1501D

1

2

3

4

Circuit Symbol and No.**Part No.****Circuit Symbol and No.****Part No.**

R 4155	(B,53,89)	RN1/16SSE1501D	R 4271	(B,58,90)	RS1/10SR101J
R 4194	(A,52,105)	RS1/16SS0R0J	R 4275	(A,38,117)	RS1/16SS471J
R 4196	(B,62,56)	RS1/16SS104J	R 4278	(A,29,73)	RS1/10SR0R0J
A					
R 4197	(B,62,62)	RS1/16SS104J	R 4281	(B,27,70)	RS1/16SS0R0J
R 4198	(B,45,84)	RS1/16SS104J	R 4284	(B,22,72)	RS1/16SS103J
R 4199	(A,41,85)	RS1/16SS272J	R 4285	(A,27,41)	RS1/16SS101J
R 4200	(B,18,78)	RS1/10SR0R0J	R 4286	(B,22,73)	RS1/16SS103J
R 4201	(A,11,71)	RS1/10SR0R0J	R 4287	(B,53,147) (UC)	RS1/16SS0R0J
			R 4290	(B,57,147) (AU)	RS1/16SS0R0J
R 4202	(B,16,78)	RS1/10SR0R0J			
R 4206	(A,66,44)	RS1/16SS4702D	R 4291	(A,9,88) Ferrite Bead	CTF1802
R 4207	(A,64,44)	RS1/16SS1003D	R 4294	(B,45,73)	RS1/10SR102J
R 4208	(A,23,48)	RS1/16SS4702D	R 4296	(A,11,74)	RS1/16SS0R0J
R 4209	(A,22,49)	RS1/16SS1003D	R 4298	(B,31,119)	RS1/16SS0R0J
			R 4299	(A,9,90) Ferrite Bead	CTF1802
B					
R 4210	(B,64,37)	RS1/16SS223J			
R 4211	(B,36,46)	RS1/16SS223J	R 4304	(A,13,96) Ferrite Bead	CTF1802
R 4212	(B,69,44)	RS1/16SS562J	R 4305	(A,16,74)	RS1/16SS0R0J
R 4213	(B,34,42)	RS1/16SS562J	R 4307	(B,21,68)	RS1/16SS0R0J
R 4214	(B,54,47)	RS1/4S0R0J	R 4308	(A,9,71)	RS1/16SS0R0J
			R 4309	(B,21,66)	RS1/16SS0R0J
R 4215	(B,44,38)	RS1/10SR0R0J			
R 4216	(B,65,46)	RS1/10SR103J	R 4310	(B,21,64)	RS1/16SS0R0J
R 4217	(B,37,40)	RS1/10SR103J	R 4311	(A,9,63)	RS1/16SS0R0J
R 4218	(B,70,41)	RS1/16SS5102D	R 4313	(A,10,52)	RS1/16SS0R0J
R 4219	(B,68,42)	RS1/16SS0R0J	R 4315	(A,9,53)	RS1/16SS0R0J
			R 4316	(A,9,58)	RS1/16SS0R0J
R 4220	(B,70,44)	RS1/16SS2402D			
C					
R 4221	(B,35,44)	RS1/16SS1003D	R 4317	(A,13,95) Ferrite Bead	CTF1802
R 4222	(B,36,44)	RS1/16SS9101D	R 4318	(A,14,46)	RS1/16SS0R0J
R 4223	(B,33,42)	RS1/16SS2003D	R 4319	(A,17,45)	RS1/16SS0R0J
R 4224	(B,52,37)	RS1/16SS0R0J	R 4320	(A,11,79) Ferrite Bead	CTF1802
			R 4321	(A,10,79) Ferrite Bead	CTF1802
R 4225	(B,46,46)	RS1/16SS0R0J			
R 4226	(A,19,56)	RS1/16SS104J	R 4322	(A,9,83) Ferrite Bead	CTF1802
R 4228	(A,19,41)	RS1/16SS103J	R 4323	(A,9,84) Ferrite Bead	CTF1802
R 4229	(B,60,75)	RS1/10SR103J	R 4324	(A,11,84) Ferrite Bead	CTF1802
R 4230	(B,58,74)	RS1/10SR102J	R 4325	(A,9,86) Ferrite Bead	CTF1802
			R 4326	(A,13,86) Ferrite Bead	CTF1802
R 4231	(A,54,79)	RS1/16SS220J			
R 4233	(A,18,105)	RS1/10SR0R0J	R 4327	(A,13,85) Ferrite Bead	CTF1802
D			R 4328	(A,13,87) Ferrite Bead	CTF1802
R 4234	(B,25,129)	RS1/10SR0R0J	R 4329	(A,9,79) Ferrite Bead	CTF1802
R 4236	(B,55,79)	RS1/10SR103J	R 4334	(A,12,74)	RS1/16SS0R0J
R 4237	(B,52,73)	RS1/10SR103J	R 4335	(A,14,74)	RS1/16SS0R0J
R 4238	(B,58,70)	RS1/10SR103J			
R 4239	(A,63,73)	RS1/8SQ0R0J	R 4341	(B,60,36)	RS1/10SR0R0J
R 4241	(A,43,137)	RS1/10SR103J	R 4342	(A,79,108)	RS1/10SR0R0J
R 4242	(B,34,48)	RS1/8SQ0R0J	R 4343	(A,59,108)	RS1/10SR0R0J
R 4243	(A,47,131)	RS1/8SQ0R0J	R 4344	(A,61,54)	RS1/10SR0R0J
			R 4361	(A,24,139)	RS1/10SR0R0J
R 4246	(A,45,139)	RS1/10SR331J			
R 4247	(B,56,79)	RS1/10SR561J	R 4363	(A,21,135)	RS1/16SS0R0J
R 4249	(A,20,69)	RS1/10SR0R0J	R 4365	(A,16,129)	RS1/10SR0R0J
E			R 4380	(A,25,75)	RS1/10SR0R0J
R 4250	(B,40,50)	RS1/16SS0R0J	R 4381	(B,21,89)	RS1/16SS0R0J
R 4251	(B,22,68)	RS1/16SS0R0J	R 4383	(B,33,63)	RS1/16SS0R0J
R 4254	(B,60,98)	RS1/10SR103J			
R 4255	(A,12,93)	RS1/16SS101J	R 4391	(A,24,46)	RS1/16SS0R0J
R 4256	(A,13,94)	RS1/16SS330J	R 4392	(A,38,111)	RS1/16SS0R0J
R 4257	(B,64,52)	RS1/16SS0R0J	R 4393	(A,14,44)	RS1/16SS0R0J
R 4259	(B,60,96)	RS1/10SR681J	R 4395	(A,20,46)	RS1/16SS0R0J
			R 4397	(B,23,69)	RS1/16SS0R0J
R 4261	(A,47,139)	RS1/16SS102J			
R 4262	(A,40,140)	RS1/16SS0R0J	R 4401	(B,80,105)	RAB4CQ220J
R 4265	(B,22,101)	RS1/10SR0R0J	R 4402	(B,80,102)	RAB4CQ220J
F			R 4403	(B,80,99)	RAB4CQ220J
R 4266	(A,20,54)	RS1/16SS105J	R 4404	(A,78,92)	RS1/16SS471J
R 4267	(A,23,43)	RS1/16SS0R0J	R 4405	(B,80,96)	RAB4CQ220J
R 4268	(B,58,93)	RS1/10SR103J			
R 4269	(A,57,64)	RS1/10SR471J	R 4406	(B,80,58)	RAB4CQ220J

1

2

3

4

5		6		7		8	
<u>Circuit Symbol and No.</u>		<u>Part No.</u>		<u>Circuit Symbol and No.</u>		<u>Part No.</u>	
R 4407	(B,80,61)	RAB4CQ220J		R 4625	(B,60,58)	RS1/16SS101J	
R 4408	(B,80,63)	RAB4CQ220J		R 4628	(B,58,53)	RS1/16SS0R0J	
R 4409	(B,80,66)	RAB4CQ220J		R 4631	(B,54,71)	RS1/16SS151J	
R 4410	(B,80,94)	RS1/16SS220J		R 4633	(B,60,52)	RS1/16SS0R0J	A
R 4411	(B,80,93)	RS1/16SS220J		R 4634	(B,56,51)	RS1/16SS0R0J	
R 4412	(B,79,73)	RS1/16SS220J		R 4635	(B,60,54)	RS1/16SS0R0J	
R 4413	(B,79,72)	RS1/16SS220J		R 4636	(B,47,51)	RS1/16SS0R0J	
R 4414	(A,52,77)	RS1/16SS103J		R 4637	(B,48,71)	RS1/16SS0R0J	
R 4415	(A,64,70)	RS1/16SS471J		R 4638	(B,46,51)	RS1/16SS0R0J	
R 4419	(A,52,78)	RS1/16SS473J		R 4639	(B,45,51)	RS1/16SS0R0J	
R 4420	(B,64,92)	RS1/16SS471J		R 4640	(A,64,36)	RS1/16SS473J	
R 4424	(A,40,77)	RS1/16SS0R0J		R 4641	(A,64,33)	RS1/16SS473J	
R 4431	(B,78,70)	RS1/16SS471J		R 4642	(A,64,34)	RS1/16SS473J	
R 4432	(A,58,92)	RS1/16SS150J		R 4643	(A,64,35)	RS1/16SS473J	
R 4433	(A,58,92)	RS1/16SS150J		R 4647	(B,51,51)	RS1/16SS103J	B
R 4434	(A,61,79)	RS1/16SS390J		R 4648	(B,51,51)	RS1/16SS103J	
R 4435	(B,63,83)	RS1/16SS390J		R 4649	(B,54,51)	RS1/16SS103J	
R 4436	(A,64,90)	RS1/16SS560J		R 4652	(A,16,98)	RS1/16SS0R0J	
R 4437	(A,64,92)	RS1/16SS560J		R 4661	(B,26,86)	RS1/16SS0R0J	
R 4438	(A,63,80)	RS1/16SS560J		R 4667	(B,38,81)	RS1/16SS101J	
R 4439	(A,63,79)	RS1/16SS560J		R 4668	(B,21,76)	RS1/10SR0R0J	
R 4440	(A,62,98)	RAB4CQ330J		R 4669	(B,27,76)	RS1/16SS0R0J	
R 4441	(A,62,96)	RAB4CQ330J		R 4670	(B,27,77)	RS1/16SS0R0J	
R 4442	(A,58,97)	RAB4CQ330J		R 4671	(B,29,76)	RS1/16SS0R0J	
R 4443	(A,58,94)	RAB4CQ330J		R 4677	(B,29,76)	RS1/16SS0R0J	C
R 4444	(A,59,79)	RAB4CQ330J		R 4678	(B,38,80)	RS1/16SS0R0J	
R 4446	(A,40,69)	RS1/16SS104J		R 4679	(B,36,77)	RS1/16SS330J	
R 4448	(A,31,66)	RS1/16SS104J		R 4680	(B,36,76)	RS1/16SS330J	
R 4449	(A,41,69)	RS1/16SS104J		R 4681	(B,36,76)	RS1/16SS0R0J	
R 4450	(B,79,69)	RN1/16SSE1501D		R 4682	(B,34,76)	RS1/16SS0R0J	
R 4451	(B,79,70)	RN1/16SSE1501D		R 4683	(B,26,88)	RS1/16SS1000D	
R 4452	(B,63,94)	RN1/16SSE1501D		R 4684	(B,26,87)	RS1/16SS1000D	
R 4453	(B,62,94)	RN1/16SSE1501D		R 4685	(B,32,72)	RS1/16SS0R0J	
R 4454	(A,64,67)	RN1/16SSE1501D		R 4686	(B,33,72)	RS1/16SS0R0J	
R 4455	(A,63,67)	RN1/16SSE1501D		R 4687	(B,35,72)	RS1/16SS0R0J	
R 4456	(A,79,94)	RN1/16SSE1501D		R 4688	(B,36,72)	RS1/16SS0R0J	D
R 4457	(A,79,95)	RN1/16SSE1501D		R 4702	(B,23,59)	RS1/16SS0R0J	
R 4501	(B,48,106)	RS1/16SS470J		R 4703	(B,26,48)	RS1/16SS0R0J	
R 4502	(B,49,106)	RS1/16SS472J		R 4704	(B,25,48)	RS1/16SS0R0J	
R 4503	(B,43,111)	RAB4CQ563J		R 4707	(B,26,56)	RS1/16SS473J	
R 4504	(B,40,111)	RAB4CQ563J		R 4708	(B,23,48)	RS1/16SS104J	
R 4505	(B,45,112)	RS1/16SS0R0J		R 4709	(B,22,55)	RS1/16SS103J	
R 4506	(A,45,126)	RS1/10SR0R0J		R 4710	(B,22,58)	RS1/16SS223J	
R 4507	(A,47,127)	RS1/10SR0R0J		R 4771	(A,52,136)	RS1/16SS103J	
R 4603	(A,52,123)	RS1/16SS0R0J		R 4772	(A,52,133)	RS1/16SS103J	
R 4604	(A,52,135)	RS1/16SS220J		R 4773	(A,52,130)	RS1/16SS103J	
R 4605	(A,52,132)	RS1/16SS220J		R 4774	(A,52,122)	RS1/16SS103J	E
R 4606	(A,52,130)	RS1/16SS220J		R 4775	(A,52,118)	RS1/16SS103J	
R 4607	(A,52,119)	RS1/16SS220J		R 4776	(A,52,116)	RS1/16SS103J	
R 4608	(A,52,116)	RS1/16SS220J		R 4777	(A,54,111)	RS1/16SS0R0J	
R 4609	(A,54,113)	RS1/16SS0R0J		R 4779	(A,58,112)	RS1/16SS0R0J	
R 4610	(A,55,111)	RS1/16SS0R0J		R 4801	(A,32,83)	RS1/16SS470J	
R 4611	(A,54,112)	RS1/16SS0R0J		R 4802	(A,32,84)	RS1/16SS470J	
R 4617	(B,47,51)	RS1/16SS103J		R 4803	(A,28,76)	RS1/16SS470J	
R 4618	(B,62,59)	RS1/16SS104J		R 4804	(A,28,77)	RS1/16SS470J	
R 4619	(B,61,57)	RS1/16SS104J		R 4805	(A,29,76)	RS1/16SS470J	
R 4620	(B,62,60)	RS1/16SS104J		R 4806	(A,27,77)	RS1/16SS470J	
R 4622	(B,60,61)	RS1/16SS101J		R 4807	(A,32,78)	RS1/16SS470J	F
R 4623	(B,60,60)	RS1/16SS0R0J		R 4808	(A,32,79)	RS1/16SS470J	
R 4624	(B,60,59)	RS1/16SS101J		R 4809	(A,33,80)	RS1/16SS470J	

1

2

3

4

Circuit Symbol and No.**Part No.****Circuit Symbol and No.****Part No.**

R 4810	(A,32,81)	RS1/16SS470J	R 5694	(A,36,140)	RS1/16SS0R0J
R 4811	(A,32,82)	RS1/16SS470J	R 5716	(A,72,132)	RS1/16SS0R0J
R 4812	(A,24,84)	RS1/16SS6801D	R 5719	(A,75,118)	RS1/16SS470J
R 4813	(A,30,86)	RS1/16SS0R0J	R 5720	(A,78,118)	RS1/16SS470J
R 4814	(A,26,77)	RS1/16SS0R0J	R 5724	(A,77,120)	RS1/16SS104J
R 4815	(A,33,81)	RS1/16SS470J	R 5725	(A,79,129)	RS1/16SS0R0J
R 4816	(A,23,80)	RS1/16SS103J	R 5726	(A,78,129)	RS1/16SS123J
R 4817	(A,25,88)	RS1/16SS470J	R 5727	(A,73,130)	RS1/16SS3902D
R 4818	(A,26,88)	RS1/16SS300J	R 5728	(A,63,137)	RS1/10SR150J
R 4819	(A,25,77)	RS1/16SS0R0J	R 5729	(A,72,118)	RS1/16SS102J
R 4821	(A,23,78)	RS1/16SS0R0J	R 5730	(A,72,137)	RS1/10SR1004D
R 4824	(A,26,130) Ferrite Bead	CTF1803	R 5731	(A,72,133)	RS1/10SR6802D
R 4901	(A,19,110)	RS1/16SS151J	R 5732	(A,71,129)	RS1/16SS0R0J
R 4902	(A,18,110)	RS1/16SS151J	R 5733	(A,34,141)	RS1/16SS150J
R 4904	(A,25,107)	RS1/16SS151J	R 5734	(A,33,142)	RS1/16SS104J
R 4905	(A,25,111)	RS1/16SS151J	R 5735	(A,34,126)	RS1/16SS151J
R 4906	(A,24,111)	RS1/16SS151J	R 5736	(A,34,123)	RS1/16SS151J
R 4907	(A,24,107)	RS1/16SS151J	R 5738	(A,33,128) Ferrite Bead	CTF1803
R 4908	(A,25,109)	RS1/16SS151J	R 5739	(A,76,120)	RS1/16SS0R0J
R 4909	(A,24,109)	RS1/16SS151J	R 5740	(A,24,130) Ferrite Bead	CTF1803
R 4910	(A,23,109)	RS1/16SS151J	R 5741	(A,24,128) Ferrite Bead	CTF1803
R 4911	(A,23,107)	RS1/16SS151J	R 5742	(A,23,130) Ferrite Bead	CTF1803
R 4912	(A,22,109)	RS1/16SS151J	R 5743	(A,23,128) Ferrite Bead	CTF1803
R 4913	(A,22,111)	RS1/16SS151J	R 5744	(A,22,130) Ferrite Bead	CTF1803
R 4914	(A,23,111)	RS1/16SS151J	R 5745	(A,25,130) Ferrite Bead	CTF1803
R 4915	(A,21,109)	RS1/16SS151J	R 5747	(A,26,128) Ferrite Bead	CTF1803
R 4916	(A,21,111)	RS1/16SS151J	R 5748	(A,27,128) Ferrite Bead	CTF1803
R 4917	(A,21,107)	RS1/16SS151J	R 5749	(A,27,130) Ferrite Bead	CTF1803
R 4918	(A,20,109)	RS1/16SS151J	R 5750	(A,28,128) Ferrite Bead	CTF1803
R 4919	(A,20,107)	RS1/16SS151J	R 5751	(A,28,130) Ferrite Bead	CTF1803
R 4920	(A,20,111)	RS1/16SS151J	R 5752	(A,29,128) Ferrite Bead	CTF1803
R 4921	(B,32,110)	RS1/16SS152J	R 5753	(A,29,130) Ferrite Bead	CTF1803
R 4922	(A,36,119)	RS1/16SS0R0J	R 5754	(A,30,128) Ferrite Bead	CTF1803
R 4923	(A,36,118)	RS1/16SS0R0J	R 5755	(A,30,130) Ferrite Bead	CTF1803
R 4924	(A,21,81)	RS1/16SS561J	R 5756	(A,25,128) Ferrite Bead	CTF1803
R 4925	(A,36,120)	RS1/16SS0R0J	R 5757	(A,31,128) Ferrite Bead	CTF1803
R 4926	(A,28,111)	RS1/16SS274J	R 5758	(A,34,125)	RS1/16SS221J
R 4928	(A,16,112)	RS1/16SS0R0J	R 5760	(A,73,139)	RS1/16SS0R0J
R 4929	(A,16,113)	RS1/16SS0R0J	R 5783	(A,38,25)	RS1/10SR393J
R 4930	(A,15,114)	RS1/16SS0R0J	R 5784	(A,41,20)	RS1/10SR393J
R 4932	(A,17,106)	RS1/16SS223J	R 5819	(A,29,97)	RS1/16SS0R0J
R 4933	(B,22,114)	RS1/16SS104J	R 5820	(A,29,99)	RS1/16SS0R0J
R 4937	(A,18,77)	RS1/10SR0R0J	R 5821	(A,28,101)	RS1/16SS0R0J
R 4951	(B,33,112)	RS1/16SS821J	R 5822	(A,28,99)	RS1/16SS0R0J
R 4955	(A,34,115)	RS1/16SS0R0J	R 5823	(A,27,97)	RS1/16SS0R0J
R 4956	(A,35,115)	RS1/16SS0R0J	R 5830	(A,29,101)	RS1/16SS0R0J
R 4957	(B,27,115)	RS1/16SS0R0J	R 5831	(A,27,101)	RS1/16SS0R0J
R 4958	(A,34,114)	RS1/16SS0R0J	R 5832	(A,26,95)	RS1/16SS0R0J
R 4960	(A,32,111)	RS1/16SS152J	R 5833	(A,26,97)	RS1/16SS0R0J
R 4961	(A,30,111)	RS1/16SS1001D	R 5834	(A,25,95)	RS1/16SS0R0J
R 4962	(A,31,109)	RS1/16SS1201F	R 5835	(A,24,95)	RS1/16SS0R0J
R 4963	(B,31,112)	RS1/10SR0R0J	R 5839	(B,33,139)	RS1/16SS101J
R 4966	(A,22,84)	RS1/16SS222J	R 5840	(B,33,137)	RS1/16SS101J
R 4994	(A,32,85)	RS1/16SS470J	R 5862	(B,11,21)	RS1/16SS0R0J
R 5453	(A,35,39)	RS1/16SS153J			
R 5454	(A,41,39)	RS1/16SS153J			
R 5455	(A,37,39)	RS1/10SR473J			
R 5456	(A,40,39)	RS1/10SR473J	C 3201	(B,10,38)	CKSSYB104K10
R 5457	(A,34,43)	RS1/10SR103J	C 3309	(A,51,24)	CKSRYB104K16
R 5458	(A,43,42)	RS1/10SR103J	C 3310	(A,56,26)	CCSSCH101J50

CAPACITORS

1

2

3

4

5		6		7		8	
<u>Circuit Symbol and No.</u>		<u>Part No.</u>		<u>Circuit Symbol and No.</u>		<u>Part No.</u>	
C 3312	(A,62,27)	CCSRCH102J50		C 4045	(B,47,91)	CKSSYB104K10	
C 3313	(A,66,28)	CCSRCH102J50		C 4046	(B,47,98)	CKSSYB104K10	
C 3314	(A,62,29)	CCSRCH102J50		C 4047	(B,46,91)	CKSSYB104K10	A
C 3315	(A,60,33)	CCSRCH102J50		C 4048	(B,46,98)	CKSSYB104K10	
C 3360	(A,24,34)	CKSSYB222K50		C 4049	(B,45,91)	CKSSYB104K10	
C 3361	(A,24,37)	CKSSYB222K50		C 4050	(B,45,98)	CKSSYB104K10	
C 3362	(A,18,34)	CKSQYB106K6R3		C 4051	(B,45,91)	CKSSYB104K10	
C 3363	(A,18,36)	CKSQYB106K6R3		C 4052	(B,47,100)	CKSSYB104K10	
C 3364	(A,16,31)	CKSQYB106K6R3		C 4053	(B,45,90)	CKSSYB104K10	
C 3365	(A,17,31)	CKSSYB102K50		C 4054	(B,44,92)	CKSSYB104K10	
C 3366	(A,13,30)	CKSQYB106K6R3		C 4055	(B,46,93)	CKSSYB104K10	
C 3367	(A,14,29)	CKSSYB102K50		C 4056	(B,45,93)	CKSSYB104K10	
C 3368	(B,15,23)	CKSQYB106K6R3		C 4057	(B,44,94)	CKSSYB104K10	
C 3369	(B,13,23)	CKSQYB106K6R3		C 4059	(B,44,95)	CKSSYB104K10	B
C 3370	(A,20,25)	CKSSYB104K10		C 4060	(B,45,96)	CKSSYB104K10	
C 3371	(A,18,26)	CKSSYB104K10		C 4061	(B,44,97)	CKSSYB104K10	
C 3372	(B,21,29)	CKSSYB104K10		C 4062	(B,44,98)	CKSSYB104K10	
C 3373	(B,16,29)	CKSSYB104K10		C 4063	(B,43,91)	CKSSYB104K10	
C 3375	(B,15,26)	CKSSYB105K6R3		C 4064	(B,44,93)	CKSSYB104K10	
C 4001	(A,38,99)	CCSSCH101J50		C 4065	(B,44,95)	CKSSYB104K10	
C 4002	(B,54,98)	CKSQYB106K6R3		C 4066	(B,42,94)	CKSSYB104K10	
C 4003	(B,53,87)	CKSSYB102K50		C 4069	(B,40,97)	CKSSYB104K10	
C 4004	(B,53,88)	CKSRYB104K16		C 4070	(B,40,94)	CKSSYB104K10	
C 4005	(B,56,97)	CKSSYB104K10		C 4071	(B,50,88)	CKSQYB106K6R3	
C 4007	(B,51,84)	CKSSYB104K10		C 4072	(B,51,101)	CKSQYB106K6R3	C
C 4008	(B,54,91)	CKSSYB104K10		C 4073	(B,41,93)	CKSSYB104K10	
C 4009	(B,48,84)	CKSSYB104K10		C 4074	(B,45,89)	CKSRYB105K10	
C 4010	(B,54,93)	CKSSYB102K50		C 4075	(B,44,87)	CKSSYB104K10	
C 4011	(B,54,94)	CKSSYB102K50		C 4076	(B,42,99)	CKSSYB104K10	
C 4012	(B,54,94)	CKSSYB102K50		C 4077	(B,43,101)	CKSSYB104K10	
C 4013	(B,54,95)	CKSSYB102K50		C 4078	(B,52,103)	CKSSYB104K10	
C 4014	(B,54,96)	CKSSYB102K50		C 4079	(B,40,95)	CKSSYB104K10	
C 4015	(B,54,97)	CKSSYB102K50		C 4080	(B,42,96)	CKSSYB104K10	
C 4016	(B,51,92)	CKSSYB102K50		C 4081	(B,43,99)	CKSSYB104K10	
C 4017	(B,51,93)	CKSSYB102K50		C 4082	(B,43,103)	CKSSYB104K10	
C 4018	(B,51,94)	CKSSYB104K10		C 4083	(B,41,90)	CKSRYB105K10	D
C 4019	(B,51,94)	CKSSYB102K50		C 4084	(B,40,92)	CKSRYB105K10	
C 4020	(B,51,95)	CKSSYB102K50		C 4086	(B,37,94)	CKSQYB106K6R3	
C 4021	(B,51,96)	CKSSYB104K10		C 4087	(B,42,98)	CKSRYB105K10	
C 4022	(B,51,98)	CKSSYB104K10		C 4088	(B,37,91)	CKSSYB104K10	
C 4023	(B,50,93)	CKSSYB104K10		C 4089	(B,45,101)	CKSRYB105K10	
C 4026	(B,50,96)	CKSSYB104K10		C 4090	(B,44,104)	CKSRYB105K10	
C 4027	(B,51,97)	CKSSYB104K10		C 4091	(B,45,104)	CKSRYB105K10	
C 4028	(B,51,98)	CKSSYB104K10		C 4092	(A,34,89)	CCSSCH120J50	
C 4029	(B,57,82)	CKSSYB103K16		C 4093	(A,35,100)	CCSSCH220J50	
C 4030	(B,55,82)	CKSSYB103K16		C 4094	(A,34,96)	CCSSCH220J50	
C 4031	(B,50,90)	CKSSYB102K50		C 4095	(A,34,94)	CCSSCH120J50	E
C 4032	(B,50,98)	CKSSYB104K10		C 4096	(B,55,91)	CKSRYB105K10	
C 4033	(B,49,100)	CKSSYB104K10		C 4097	(B,51,83)	CKSRYB105K10	
C 4034	(B,50,91)	CKSSYB104K10		C 4098	(B,57,82)	CKSSYB103K16	
C 4035	(B,49,90)	CKSSYB102K50		C 4103	(B,47,88) 47 uF	CCG1251	
C 4036	(B,49,98)	CKSSYB104K10		C 4104	(B,49,101)	CKSSYB104K10	
C 4037	(B,49,91)	CKSSYB104K10		C 4201	(A,12,53)	CKSSYB104K10	
C 4038	(B,48,93)	CKSSYB104K10		C 4202	(A,12,59)	CKSSYB104K10	
C 4039	(B,48,98)	CKSSYB104K10		C 4204	(A,20,65)	CKSSYB104K10	
C 4040	(B,56,82)	CKSSYB103K16		C 4205	(A,15,53) 10 uF	DCH1201	
C 4041	(B,48,93)	CKSSYB104K10		C 4206	(A,15,58) 10 uF	DCH1201	F
C 4042	(B,48,100)	CKSSYB104K10		C 4208	(A,23,66) 10 uF	DCH1201	
C 4043	(B,47,93)	CKSSYB104K10		C 4209	(A,15,55) 10 uF	DCH1201	
C 4044	(B,48,98)	CKSSYB104K10		C 4210	(A,15,56) 10 uF	DCH1201	

	1		2		3		4	
	<u>Circuit Symbol and No.</u>		<u>Part No.</u>		<u>Circuit Symbol and No.</u>		<u>Part No.</u>	
	C 4212	(A,25,66) 10 uF	DCH1201		C 4406	(A,64,85)	CKSSYB103K16	
	C 4213	(B,64,38)	CKSSYB104K10		C 4407	(A,79,82)	CKSQYB106K6R3	
A	C 4214	(B,37,45)	CKSSYB104K10		C 4408	(B,71,55)	CKSRYB105K10	
	C 4215	(A,17,59)	CKSSYB104K10		C 4409	(A,78,102)	CKSSYB103K16	
	C 4216	(B,68,44)	CCSSCH101J50		C 4410	(A,78,97)	CKSSYB103K16	
	C 4217	(B,35,42)	CCSSCH101J50		C 4411	(A,74,81)	CKSSYB104K10	
	C 4218	(B,69,45)	CCSSCH102J50		C 4412	(A,78,94)	CKSSYB103K16	
	C 4219	(B,35,40)	CKSSYB472K50		C 4413	(B,64,107)	CKSRYB105K10	
	C 4222	(B,70,42)	CCSSCH470J50		C 4414	(A,79,57)	CKSSYB103K16	
	C 4223	(B,35,43)	CCSSCH470J50		C 4415	(A,79,59)	CKSSYB103K16	
	C 4224	(A,22,60)	CKSSYB392K50		C 4416	(A,79,62)	CKSSYB103K16	
	C 4227	(B,62,38) 10 uF	DCH1201		C 4417	(A,78,65)	CKSSYB103K16	
B	C 4228	(B,43,46) 10 uF	DCH1201		C 4418	(A,78,69)	CKSSYB103K16	
	C 4229	(A,18,62)	CKSSYB104K10		C 4419	(A,78,78)	CKSSYB103K16	
	C 4230	(B,61,46) 10 uF	DCH1201		C 4420	(A,76,54)	CKSQYB106K6R3	
	C 4231	(B,45,39) 10 uF	DCH1201		C 4421	(A,72,55)	CKSRYB105K10	
	C 4232	(B,61,49) 47 uF	CCG1233		C 4422	(A,64,61)	CKSSYB103K16	
	C 4233	(B,40,38) 47 uF	CCG1233		C 4423	(A,64,65)	CKSSYB103K16	
	C 4236	(B,54,38) 10 uF	CCG1234		C 4424	(A,71,54)	CKSSYB104K10	
	C 4237	(B,44,48) 10 uF	CCG1234		C 4425	(A,64,69)	CKSSYB103K16	
	C 4238	(B,53,38) 10 uF	CCG1234		C 4426	(A,75,82)	CKSRYB105K10	
	C 4239	(B,46,48) 10 uF	CCG1234		C 4427	(B,78,106)	CKSSYB103K16	
	C 4240	(A,23,64)	CKSSYB392K50		C 4428	(B,78,103)	CKSSYB103K16	
	C 4241	(B,58,38) 100 uF	CCG1232		C 4429	(B,78,100)	CKSSYB103K16	
C	C 4242	(B,48,47) 100 uF	CCG1232		C 4430	(B,78,97)	CKSSYB103K16	
	C 4243	(A,19,57)	CKSSYB102K50		C 4431	(B,78,94)	CKSSYB103K16	
	C 4244	(B,61,68)	CKSSYB104K10		C 4432	(B,78,85)	CKSSYB103K16	
	C 4245	(B,54,73)	CKSRYB474K16		C 4433	(B,69,107)	CKSQYB106K6R3	
	C 4246	(A,20,45)	CKSSYB104K10		C 4435	(B,64,102)	CKSSYB103K16	
	C 4247	(A,24,44)	CKSSYB104K10		C 4436	(B,64,98)	CKSSYB103K16	
	C 4248	(B,23,129)	CKSRYB105K10		C 4437	(A,51,76)	CKSSYB104K10	
	C 4249	(A,18,102)	CKSRYB105K10		C 4438	(B,63,106)	CKSSYB104K10	
	C 4251	(A,22,102)	CKSRYB105K10		C 4439	(B,64,94)	CKSSYB103K16	
	C 4252	(B,20,128)	CKSRYB105K10		C 4441	(A,52,76)	CKSRYB105K10	
	C 4255	(A,47,138)	CKSSYB104K10		C 4442	(B,64,56)	CKSSYB103K16	
D	C 4256	(B,51,82)	CKSSYB104K10		C 4443	(B,64,58)	CKSSYB103K16	
	C 4257	(A,20,70)	CKSRYB105K10		C 4444	(B,64,62)	CKSSYB103K16	
	C 4259	(A,19,74)	CKSRYB105K10		C 4445	(B,64,66)	CKSSYB103K16	
	C 4260	(B,60,103)	CKSSYB104K10		C 4446	(B,64,69)	CKSSYB103K16	
	C 4261	(B,39,52)	CKSSYB103K16		C 4447	(B,65,79)	CKSSYB103K16	
	C 4265	(B,58,95)	CKSSYB104K10		C 4448	(B,67,54)	CKSQYB106K6R3	
	C 4266	(B,50,47) 100 uF	CCG1232		C 4450	(B,78,60)	CKSSYB103K16	
	C 4267	(A,55,39) 100 uF	CCG1232		C 4451	(B,78,65)	CKSSYB103K16	
	C 4269	(A,22,54)	CKSSYB103K16		C 4452	(B,72,54)	CKSSYB104K10	
	C 4270	(B,64,49)	CKSSYB103K16		C 4453	(B,78,69)	CKSSYB103K16	
E	C 4271	(A,45,129)	CKSSYB104K10		C 4455	(A,28,65)	CKSSYB104K10	
	C 4272	(A,36,133)	CKSSYB104K10		C 4456	(A,27,71)	CKSSYB104K10	
	C 4273	(A,38,112)	CKSSYB104K10		C 4457	(A,30,70)	CKSQYB106K6R3	
	C 4278	(A,39,117)	CKSSYB104K10		C 4458	(A,32,71)	CKSSYB104K10	
	C 4361	(A,32,137)	CKSQYB106K6R3		C 4459	(A,40,70)	CKSSYB104K10	
	C 4362	(A,26,135)	CKSSYB104K10		C 4511	(A,43,124)	CKSSYB105K6R3	
	C 4363	(A,27,140)	CKSSYB104K10		C 4512	(A,46,122)	CKSRYB105K10	
	C 4364	(A,24,142)	CKSQYB105K16		C 4513	(A,41,124)	CKSSYB104K10	
	C 4365	(B,12,128)	CEVW101M16		C 4514	(A,42,123)	CKSSYB104K10	
	C 4380	(B,26,67)	CKSRYB104K16		C 4515	(A,40,124)	CKSSYB104K10	
	C 4401	(A,64,105)	CKSSYB103K16		C 4516	(A,42,121)	CKSSYB104K10	
F	C 4402	(A,64,104)	CKSSYB103K16		C 4517	(A,41,119)	CKSSYB104K10	
	C 4403	(A,64,101)	CKSSYB103K16		C 4518	(A,44,121)	CKSSYB104K10	
	C 4404	(A,64,97)	CKSSYB103K16		C 4519	(A,43,121)	CKSSYB104K10	
	C 4405	(A,64,94)	CKSSYB103K16		C 4520	(A,39,122)	CKSSYB104K10	

5		6		7		8	
<u>Circuit Symbol and No.</u>		<u>Part No.</u>		<u>Circuit Symbol and No.</u>		<u>Part No.</u>	
C 4521	(A,40,121)	CKSSYB104K10		C 4837	(B,28,113)	CKSSYB103K16	
C 4522	(A,39,124)	CKSRYB105K10		C 4838	(B,26,123)	CKSSYB103K16	
C 4607	(A,56,113)	CKSSYB104K10		C 4839	(B,26,122)	CKSSYB103K16	A
C 4608	(A,57,111)	CKSSYB104K10		C 4840	(B,25,123)	CKSSYB103K16	
C 4613	(B,41,59)	CKSSYB473K16		C 4841	(B,25,122)	CKSSYB103K16	
C 4621	(B,60,57)	CKSSYB473K16		C 4842	(B,23,122)	CKSSYB103K16	
C 4622	(B,58,53)	CKSSYB473K16		C 4843	(B,23,122)	CKSSYB103K16	
C 4623	(B,49,51)	CKSSYB473K16		C 4844	(B,22,122)	CKSSYB103K16	
C 4624	(B,41,54)	CKSSYB473K16		C 4845	(B,21,122)	CKSSYB103K16	
C 4625	(B,49,70)	CKSSYB473K16		C 4846	(B,22,121)	CKSSYB103K16	
C 4626	(B,56,70)	CKSSYB473K16		C 4847	(B,23,121)	CKSSYB103K16	
C 4651	(B,44,82)	CKSSYB104K10		C 4848	(B,21,121)	CKSSYB103K16	
C 4653	(B,31,87) 4.7 uF	CCG1201		C 4849	(B,20,121)	CKSSYB103K16	
C 4661	(B,32,76) 4.7 uF	CCG1201		C 4850	(B,20,119)	CKSSYB103K16	B
C 4662	(B,36,79) 4.7 uF	CCG1201		C 4851	(B,20,118)	CKSSYB103K16	
C 4665	(B,37,82) 4.7 uF	CCG1201		C 4852	(B,22,118)	CKSSYB103K16	
C 4666	(B,24,78) 4.7 uF	CCG1201		C 4853	(B,21,119)	CKSSYB103K16	
C 4667	(B,28,87) 4.7 uF	CCG1201		C 4854	(B,22,119)	CKSSYB103K16	
C 4668	(B,29,74)	CKSRYB105K10		C 4855	(B,23,119)	CKSSYB103K16	
C 4670	(B,25,83) 4.7 uF	CCG1201		C 4856	(B,20,116)	CKSSYB103K16	
C 4671	(B,24,80) 4.7 uF	CCG1201		C 4857	(B,21,114)	CKSSYB103K16	
C 4701	(B,27,57)	CKSSYB104K10		C 4858	(B,21,116)	CKSSYB103K16	
C 4781	(B,37,78) 10 uF	CCG1234		C 4859	(B,22,116)	CKSSYB103K16	
C 4784	(B,60,69)	CKSRYB105K10		C 4860	(B,22,114)	CKSSYB103K16	
C 4785	(A,51,128)	CKSRYB105K10		C 4861	(B,23,116)	CKSSYB103K16	C
C 4786	(B,40,64)	CKSRYB105K10		C 4862	(B,23,118)	CKSSYB103K16	
C 4803	(B,29,123)	CKSSYB103K16		C 4863	(B,23,116)	CKSSYB103K16	
C 4804	(B,26,123)	CKSSYB103K16		C 4864	(B,24,118)	CKSSYB103K16	
C 4805	(B,25,123)	CKSSYB103K16		C 4865	(B,24,116)	CKSSYB103K16	
C 4806	(B,23,123)	CKSSYB103K16		C 4866	(B,25,117)	CKSSYB103K16	
C 4807	(B,23,126)	CKSSYB103K16		C 4867	(B,26,118)	CKSSYB103K16	
C 4808	(B,21,123)	CKSSYB103K16		C 4868	(B,25,119)	CKSSYB103K16	
C 4809	(B,29,123)	CKSSYB103K16		C 4869	(B,25,115)	CKSSYB103K16	
C 4810	(B,27,121)	CKSSYB103K16		C 4870	(B,24,114)	CKSSYB103K16	
C 4811	(B,29,122)	CKSSYB103K16		C 4871	(B,24,114)	CKSSYB103K16	
C 4812	(B,28,123)	CKSSYB103K16		C 4872	(B,25,114)	CKSSYB103K16	D
C 4813	(B,28,121)	CKSSYB103K16		C 4901	(B,29,124)	CKSSYB103K16	
C 4814	(B,27,121)	CKSSYB103K16		C 4902	(B,26,124)	CKSSYB103K16	
C 4815	(B,29,121)	CKSSYB103K16		C 4903	(B,25,124)	CKSSYB103K16	
C 4816	(B,27,119)	CKSSYB103K16		C 4904	(B,23,124)	CKSSYB103K16	
C 4817	(B,27,119)	CKSSYB103K16		C 4905	(B,22,126)	CKSSYB103K16	
C 4818	(B,28,119)	CKSSYB103K16		C 4906	(B,21,124)	CKSSYB103K16	
C 4819	(B,30,119)	CKSSYB103K16		C 4912	(A,35,117)	CKSSYB104K10	
C 4820	(B,30,121)	CKSSYB103K16		C 4913	(B,30,115)	CKSSYB104K10	
C 4821	(B,30,119)	CKSSYB103K16		C 4914	(B,30,115)	CKSSYB104K10	
C 4822	(B,30,118)	CKSSYB104K10		C 4915	(B,30,113)	CKSSYB104K10	
C 4823	(B,29,115)	CKSSYB104K10		C 4916	(B,30,116)	CKSSYB104K10	E
C 4824	(B,28,117)	CKSSYB104K10		C 4917	(B,30,117)	CKSSYB104K10	
C 4825	(B,29,117)	CKSSYB104K10		C 4918	(B,32,113)	CKSSYB474K6R3	
C 4826	(B,28,115)	CKSSYB104K10		C 4920	(A,17,115)	CCSSCH101J50	
C 4827	(B,27,117)	CKSSYB104K10		C 4921	(A,34,77)	CKSQYB106K6R3	
C 4828	(B,28,114)	CKSSYB104K10		C 4922	(A,16,83)	CKSQYB106K6R3	
C 4829	(A,34,122)	CKSSYB104K10		C 4924	(A,18,82)	CKSQYB106K6R3	
C 4830	(A,36,121)	CKSSYB104K10		C 4925	(A,23,82)	CKSSYB333K16	
C 4831	(A,34,121)	CKSSYB104K10		C 4926	(A,24,81)	CKSSYB104K10	
C 4832	(A,34,120)	CKSSYB104K10		C 4928	(A,24,83)	CKSSYB104K10	
C 4833	(A,34,118)	CKSSYB104K10		C 4929	(A,24,83)	CKSSYB104K10	F
C 4834	(A,34,119)	CKSSYB104K10		C 4931	(A,24,85)	CKSSYB104K10	
C 4835	(A,34,116)	CKSSYB104K10		C 4932	(A,29,88)	CCSSCH7R0D50	
C 4836	(A,34,117)	CKSSYB104K10		C 4933	(A,26,86)	CKSSYB333K16	

Circuit Symbol and No.**Part No.**

	C 4938	(A,30,85)	CKSSYB104K10
	C 4939	(A,28,88)	CCSSCH7R0D50
A	C 4943	(A,20,78)	CKSQYB106K6R3
	C 4944	(A,22,78)	CKSQYB106K6R3
	C 4963	(B,29,108)	CKSQYB106K6R3
	C 4964	(B,30,110)	CKSSYB103K16
	C 4982	(B,30,128) 47 uF	CCG1251
	C 4983	(B,29,125)	CKSSYB103K16
	C 4985	(B,27,112)	CKSSYB103K16
	C 4986	(B,25,111)	CKSQYB106K6R3
	C 4987	(B,19,120)	CKSQYB106K6R3
	C 4988	(A,31,111)	CKSSYB103K16
	C 4989	(A,34,111)	CCSSCH4R0C50
B	C 4990	(A,30,108)	CCSSCH100D50
	C 4991	(A,26,109)	CCSSCH100D50
	C 4993	(B,29,126)	CKSRYP105K10
	C 5129	(A,11,46)	CKSRYP103K50
	C 5130	(A,13,38)	CKSRYP104K16
	C 5451	(A,34,35) 4.7 uF	CCG1201
	C 5452	(A,40,35) 4.7 uF	CCG1201
	C 5453	(A,33,44)	CCSRCH391J50
	C 5454	(A,44,43)	CCSRCH391J50
	C 5455	(A,40,42)	CCSRCH221J50
	C 5456	(A,37,42)	CCSRCH221J50
C	C 5460	(A,43,48)	CKSRYP104K16
	C 5471	(A,33,47) 4.7 uF	CCG1201
	C 5472	(A,45,47) 4.7 uF	CCG1201
	C 5629	(A,78,132)	CKSQYB104K25
	C 5630	(A,73,119)	CKSRYP105K16
	C 5631	(A,78,120)	CCSSCH470J50
	C 5632	(A,70,141) 10 uF	CCG1223
	C 5634	(A,68,138)	CKSSYB102K50
	C 5635	(A,70,119) 2.2 uF	CCG1205
	C 5637	(A,61,118) 10 uF	CCG1236
	C 5642	(B,29,133) 10 uF	DCH1201
D	C 5643	(B,29,135) 10 uF	DCH1201
	C 5644	(B,29,137) 10 uF	DCH1201
	C 5647	(A,66,115) 10 uF	CCG1236
	C 5651	(A,74,141)	CKSRYP473K50
	C 5652	(A,74,139)	CKSRYP473K50
	C 5653	(A,74,138)	CKSRYP473K50
	C 5654	(A,74,137)	CKSRYP473K50
	C 5668	(A,31,27)	CKSRYP104K16
	C 5672	(A,41,22)	CKSRYP105K10
	C 5697	(A,30,77)	CKSSYB104K10
E	C 5698	(A,39,28)	CKSRYP104K16

Miscellaneous Parts List

	Pickup Unit(Service)	CXX2398
M 1	Motor Unit(LOAD/CRG)	CXC4026
M 2	Motor(SPINDLE)	EXM1050