

(1) PACKING SECTION PARTS LIST

<u>Mark No.</u>	<u>Description</u>	<u>Part No.</u>	<u>Mark No.</u>	<u>Description</u>	<u>Part No.</u>
1	Cord Assy	CDP1583			
2	USB Extended Cable	CDP1587	11	Card Remote Control Unit	See Contrast table (2)
3	Polyethylene Bag	CEG1160	12	Panel	See Contrast table (2)
4	Screw	See Contrast table (2)	13	Microphone Assy	CPM1083
5	Screw	TRZ50P080FTC	14	Holder	CZN7192
			15	Cushion	CZN7193
6	Handle	See Contrast table (2)			
7	Cover	See Contrast table (2)	16-1	Owner's Manual	See Contrast table (2)
8	Unit Box	See Contrast table (2)	*	16-2 Warranty Card	See Contrast table (2)
9	Contain Box	See Contrast table (2)	*	16-3 Service Network	See Contrast table (2)
10	Protector	See Contrast table (2)			

(2) CONTRAST TABLE

AVH-200BT/XNUC, AVH-265BT/XNRC, AVH-265BT/XNRD, AVH-265BT/XNRI and AVH-269BT/XNID are constructed the same except for the following:

Mark	No.	Description	AVH-200BT/ XNUC	AVH-265BT/ XNRC	AVH-265BT/ XNRD	AVH-265BT/ XNRI	AVH-269BT/ XNID
	4	Screw	CRZ50P090FTC	Not used	Not used	Not used	Not used
	6	Handle	Not used	Not used	Not used	CND6289	Not used
	7	Cover	CEG1359	CEG1356	CEG1356	CEG1356	CEG1356
	8	Unit Box	YHG5742	YHG5739	YHG5740	YHG5741	YHG5743
	9	Contain Box	YHL5742	YHL5739	YHL5740	YHL5741	YHL5743
	10	Protector	CHP4598	CHP4598	CHP4598	CHP4599	CHP4598
	11	Card Remote Control Unit	Not used	CXE5116	Not used	CXE5116	CXE5116
	12	Panel	Not used	CNS9475	CNS9475	CNS9475	CNS9475
	16-1	Owner's Manual	YRD5383	YRD5380	YRD5381	YRD5382	YRB5283
*	16-2	Warranty Card	QRY3001	Not used	Not used	Not used	CRY1304
*	16-3	Service Network	Not used	Not used	Not used	Not used	CRY1305

Owner's Manual, Installation Manual

Part No.	Language
YRD5383	English, French, Spanish(Espanol)
YRD5380	English, Traditional Chinese
YRD5381	English, Spanish(Espanol), Portuguese(B)
YRD5382	English, Arabic, Persian
YRB5283	English

9.2 EXTERIOR (1)

1

2

3

4

A

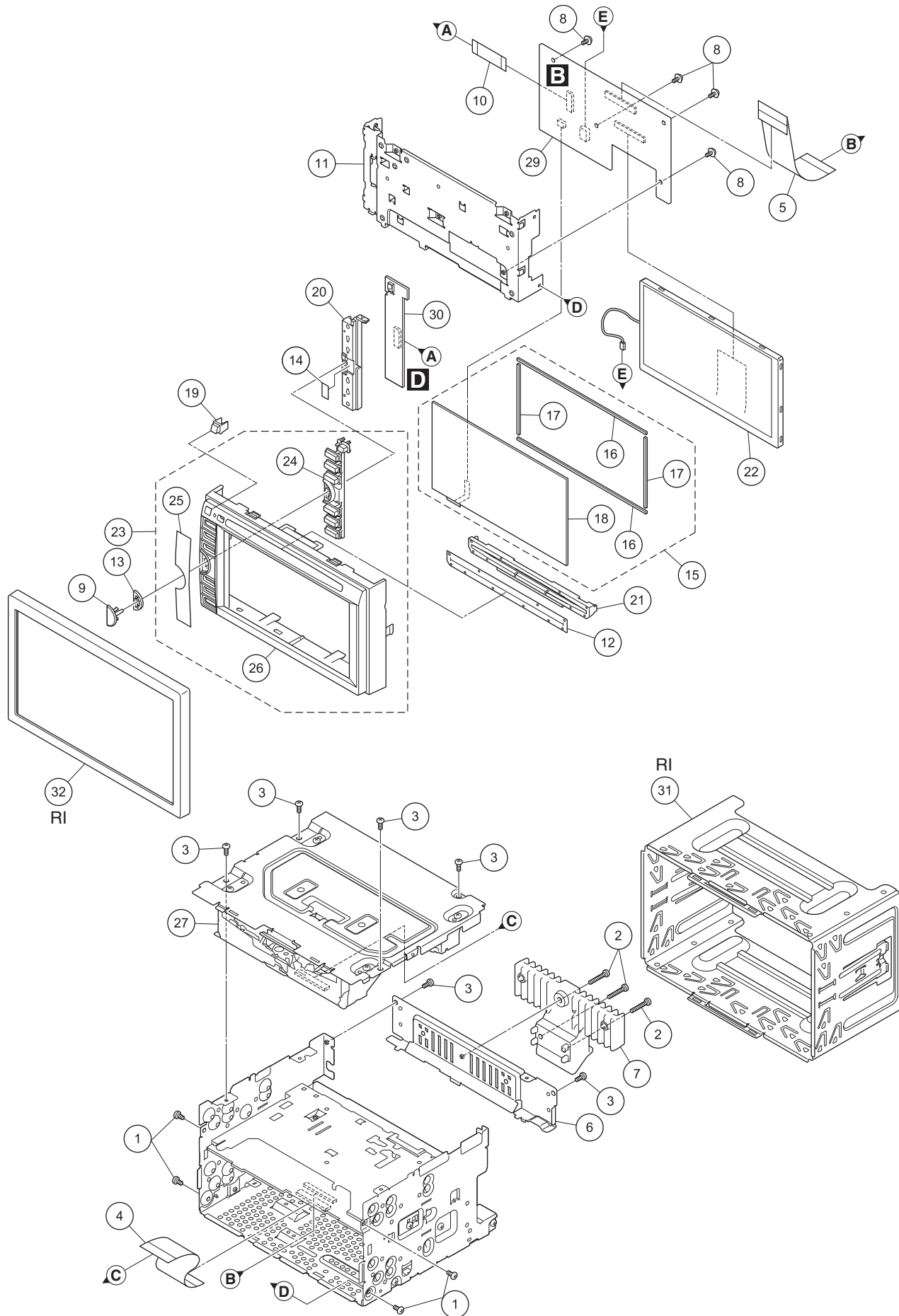
B

C

D

E

F



AVH-200BT/XNUC

1

2

3

4

(1) EXTERIOR (1) SECTION PARTS LIST

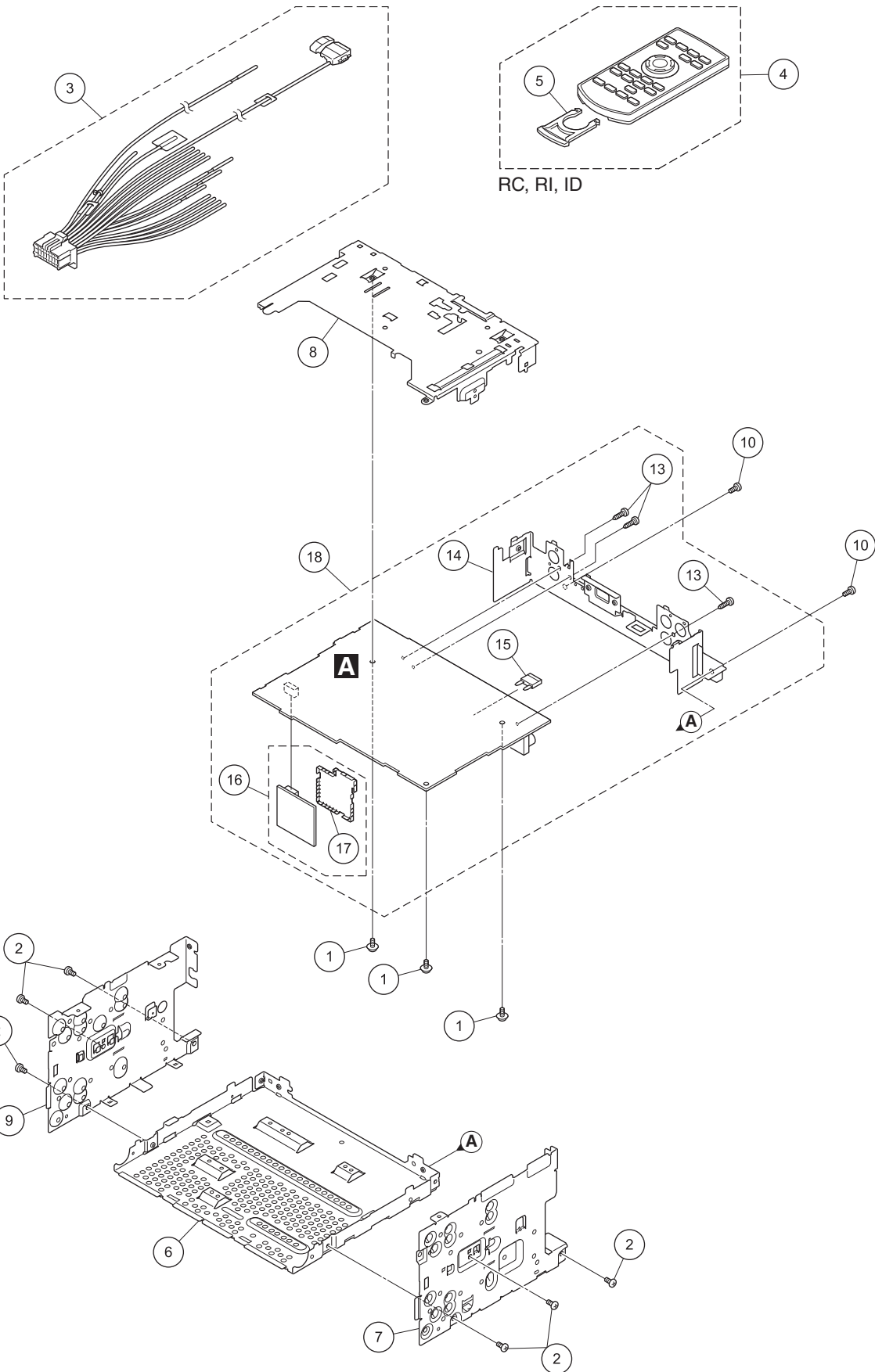
<u>Mark No.</u>	<u>Description</u>	<u>Part No.</u>	<u>Mark No.</u>	<u>Description</u>	<u>Part No.</u>
1	Screw	BSZ26P050FTC	17	Cushion	CNN4274
2	Screw	BSZ26P120FTC	18	Touch Panel	CSX1184
3	Screw	BSZ26P060FTC	19	Lighting Conductor	CNW2588
4	FFC	CDE9765	20	Lighting Conductor	CNW2589
5	FFC	CDE9767	21	Holder	CNW2590
6	Holder	YND5148	22	TFT LCD	CWX4526
7	Heat Sink	CNR2147	23	Grille Assy	See Contrast table (2)
8	Screw	ASZ26P050FTC	24	Button	CAI3844
9	Button (HOME)	CAI3845	25	Plate	YNN5079
10	FFC	CDE9768	26	Grille	See Contrast table (2)
11	Holder	YND5145	27	DVD Mechanism Module (LS2)	CXX8003
12	Cover	CNN2628	28	•••••	
13	Cushion	CNN4186	29	Monitor Unit (Service)	YXX5281
14	Sheet	CNN4187	30	Key Unit (Service)	YXX5282
15	Service Unit (Touch Panel)	CXX6233	31	Holder	See Contrast table (2)
16	Cushion	CNN4273	32	Panel	See Contrast table (2)

(2) CONTRAST TABLE

AVH-200BT/XNUC, AVH-265BT/XNRC, AVH-265BT/XNRD, AVH-265BT/XNRI and AVH-269BT/XNID are constructed the same except for the following:

Mark	No.	Description	AVH-200BT/ XNUC	AVH-265BT/ XNRC	AVH-265BT/ XNRD	AVH-265BT/ XNRI	AVH-269BT/ XNID
	23	Grille Assy	YXE5114	YXE5115	YXE5115	YXE5115	YXE5116
	26	Grille	YNS5760	YNS5761	YNS5761	YNS5761	YNS5762
	31	Holder	Not used	Not used	Not used	CND6288	Not used
	32	Panel	Not used	Not used	Not used	CNS9952	Not used

9.3 EXTERIOR (2)



RC, RI, ID

(1) EXTERIOR (2) SECTION PARTS LIST

<u>Mark No.</u>	<u>Description</u>	<u>Part No.</u>	<u>Mark No.</u>	<u>Description</u>	<u>Part No.</u>	
1	Screw	ASZ26P050FTC				
2	Screw	BSZ26P050FTC	11		
3	Cord Assy	CDP1583	12		
4	Card Remote Control Unit	See Contrast table (2)	13	Screw	BPZ26P080FTC	
5	Battery Cover	See Contrast table (2)	14	Holder	See Contrast table (2)	
			⚠	15	Fuse (10 A)	YEK5001
6	Chassis	CNA3210				
7	Bracket	CND6336	16	BT Module (U1671)	YWX5045	
8	Holder	CND6530	17	Shield Case	YNC5123	
9	Bracket	CND6635	18	Mother Unit (Service)	See Contrast table (2)	
10	Screw	BSZ26P060FTC				

(2) CONTRAST TABLE

AVH-200BT/XNUC, AVH-265BT/XNRC, AVH-265BT/XNRD, AVH-265BT/XNRI and AVH-269BT/XNID are constructed the same except for the following:

Mark	No.	Description	AVH-200BT/ XNUC	AVH-265BT/ XNRC	AVH-265BT/ XNRD	AVH-265BT/ XNRI	AVH-269BT/ XNID
	4	Card Remote Control Unit	Not used	CXE5116	Not used	CXE5116	CXE5116
	5	Battery Cover	Not used	CNU1624	Not used	CNU1624	CNU1624
	14	Holder	YND5146	YND5160	YND5160	YND5160	YND5160
	18	Mother Unit (Service)	YXX5269	YXX5270	YXX5271	YXX5272	YXX5273

9.4 DVD MECHANISM MODULE (1)

A

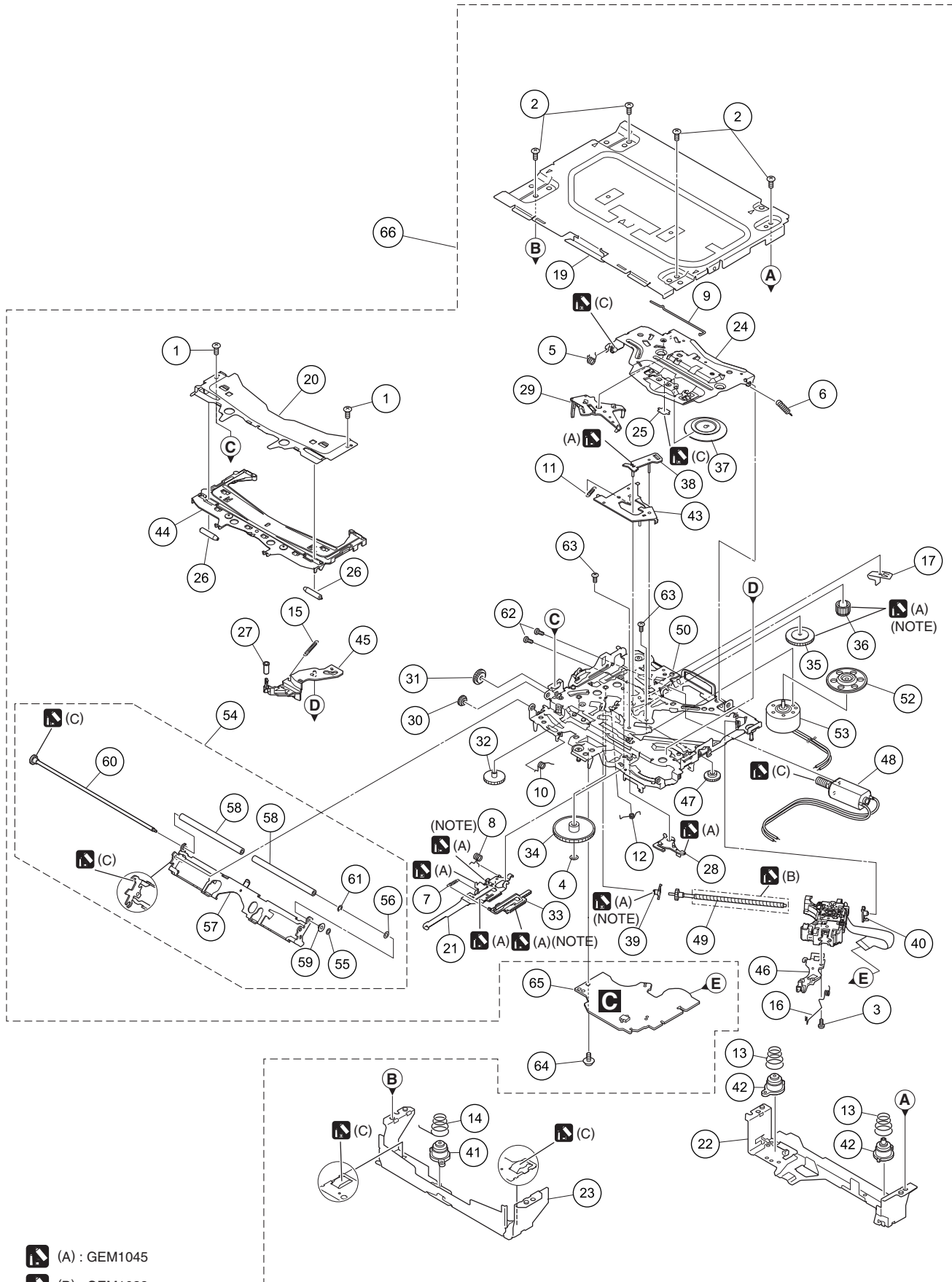
B

C

D

E

F



- (A) : GEM1045
- (B) : GEM1038
- (C) : GEM1024

(NOTE) Apply grease to the whole part.

12. ELECTRICAL PARTS LIST

NOTE:

- Parts whose parts numbers are omitted are subject to being not supplied.
- The part numbers shown below indicate chip components.

Chip Resistor

RS1/OS○○○○J,RS1/○○S○○○○J

Chip Capacitor (except for CQS.....)

CKS....., CCS....., CSZS.....

- The \triangle mark found on some component parts indicates the importance of the safety factor of the part. Therefore, when replacing, be sure to use parts of identical designation.
- Meaning of the figures and others in the parentheses in the parts list.

Example) IC 301 is on the point (face A, 91 of x-axis, and 111 of y-axis) of the corresponding PC board.

IC 301 (A, 91, 111) IC NJM2068V

- The expression of the unit in this manual is shown by μ instead of μ . Please do not make a mistake.

<u>Circuit Symbol and No.</u>	<u>Part No.</u>	<u>Circuit Symbol and No.</u>	<u>Part No.</u>
A:AVH-200BT/XNUC		IC 251 (B,99,87) IC	PM9012A
B:AVH-265BT/XNRC		IC 341 (A,97,118) IC	PA2032A
C:AVH-265BT/XNRD		IC 501 (A,40,75) IC	TDA7706
D:AVH-265BT/XNRI		IC 601 (A,56,52) IC(A)	PDB120A8
E:AVH-269BT/XNID		(A,56,52) IC(B,C,D,E)	PDB121A8
Unit Number : YXX5269(A)		IC 1101 (B,123,38) RAM IC	M12L128168A-5TG2N
Unit Number : YXX5270(B)		IC 1151 (B,104,46) IC	WM8761BGED
Unit Number : YXX5271(C)		IC 1202 (B,105,37) IC(A)	337S3959
Unit Number : YXX5272(D)		IC 1251 (B,146,51) Flash ROM Unit(Service) (A,B)	YXX5283
Unit Number : YXX5273(E)		(B,146,51)Flash ROM Unit(Service) (C,D,E)	YXX5284
Unit Name : Mother Unit(Service)		IC 1301 (B,96,19) IC	MX25L8006EM2I-12G
Unit Number : YXX5281		IC 1302 (A,107,39) IC	R5S72690RW266FP
Unit Name : Monitor Unit(Service)		IC 1601 (A,123,69) IC	TC7USB221FT
Unit Number : YWX5032		IC 1801 (B,60,80) Regulator IC	NJW4181U3-33B
Unit Name : DVD Core Unit		IC 1821 (A,114,94) IC	NJM2387ADL3
Unit Number : YXX5282		IC 1901 (B,33,50) IC	NJM2886DL3-05
Unit Name : Key Unit(Service)		IC 1951 (B,158,65) IC	AN33012UA
A		IC 2011 (B,115,12) Regulator IC	BD00IA5WEFJ
Unit Number : YXX5269(A)		IC 2061 (B,155,12) Regulator IC	NJM2856DL3-18
Unit Number : YXX5270(B)		IC 2101 (B,164,93) Regulator IC	BD9876EFJ
Unit Number : YXX5271(C)		IC 2161 (B,150,96) IC(A)	AN33014UA
Unit Number : YXX5272(D)		IC 2162 (B,140,64) IC(B,C,D,E)	BD2232G-G
Unit Number : YXX5273(E)		Q 303 (B,94,98) Transistor	LSCR523UB
Unit Name : Mother Unit(Service)		Q 311 (B,90,100) Transistor	RT3T14M
		Q 321 (B,87,104) Chip Transistor	RN1903
		Q 710 (A,38,42) Chip Transistor(B,C,D,E)	HN1B04FU
		Q 741 (A,75,46) Chip Transistor	HN1C03FU
		Q 742 (B,81,58) Transistor	UMF5N
		Q 743 (B,81,54) Transistor	UMF5N
		Q 751 (B,65,15) Chip Transistor	HN1C01FU
		Q 752 (B,61,15) Chip Transistor	RN4982
		Q 831 (B,65,74) Transistor	LTC014EEB
		Q 841 (B,67,70) Transistor	LTC014EEB
		Q 854 (A,52,95) Transistor	LSAR523UB
		Q 871 (A,56,75) Chip Transistor	HN1C01FU
		Q 1201 (B,110,29) Transistor(A)	LSAR523UB
		Q 1631 (A,39,108) Chip Transistor	HN1C01FU
		Q 1633 (A,29,110) Chip Transistor	HN1C01FU
MISCELLANEOUS		Q 1951 (A,163,67) Power MOS FET	RSD140P06
IC 101 (B,103,70) IC	AK4223VQ	Q 1952 (A,153,64) Power MOS FET	RSD140P06
		D 301 (B,86,100) Diode	DA2J101

	1	2	3	4
	<u>Circuit Symbol and No.</u>	<u>Part No.</u>	<u>Circuit Symbol and No.</u>	<u>Part No.</u>
	D 302 (B,91,95) Diode	DZ2J082M0	L 1315 (A,125,38) Chip Beads	VTL1127
	D 312 (B,90,97) Diode	DA2J101	L 1316 (A,124,40) Chip Beads	VTL1127
A	D 501 (A,46,92) Diode	RN731VN	L 1317 (A,125,39) Chip Beads	VTL1127
	D 502 (A,46,85) Diode	RN731VN	L 1318 (A,125,43) Chip Beads	VTL1127
	D 601 (B,61,46) Diode	RB501VM-40	L 1319 (A,125,46) Chip Beads	VTL1127
	D 602 (B,63,47) Diode	DB2J31400	L 1322 (A,125,51) Chip Beads	VTL1127
	D 741 (A,72,44) Diode	DA2J101	L 1323 (A,125,55) Chip Beads	VTL1127
	D 801 (B,64,119) Diode	1SR154-400	L 1377 (A,86,27) Chip Beads	VTL1126
	D 802 (B,60,119) Diode	1SR154-400	L 1381 (A,87,51) Chip Beads	VTL1126
	D 831 (B,63,73) Diode	DZ2J056M0	L 1383 (A,83,51) Chip Beads	VTL1126
	D 841 (B,70,73) Diode	DA2J101	L 1384 (A,85,49) Chip Beads	VTL1126
	D 853 (A,51,99) Diode	MC2848-11	L 1387 (A,87,43) Chip Beads	VTL1126
B	D 871 (B,63,100) Diode	UDZV6R2(B)	L 1390 (A,83,43) Chip Beads	VTL1126
	D 873 (B,67,98) Diode	UDZV7R5(B)	L 1391 (A,87,42) Chip Beads	VTL1126
	D 1601 (A,133,111) Diode	PESD0402-140	L 1393 (A,83,41) Chip Beads	VTL1126
	D 1602 (A,133,109) Diode	PESD0402-140	L 1394 (A,87,41) Chip Beads	VTL1126
	D 1603 (A,122,65) Diode	PESD0402-140	L 1397 (A,83,40) Chip Beads	VTL1126
	D 1604 (A,124,65) Diode	PESD0402-140	L 1399 (A,87,40) Chip Beads	VTL1126
	D 1651 (B,164,105) Diode	DZ2S068C	L 1401 (A,87,39) Chip Beads	VTL1126
	D 1652 (B,170,106) Diode	DZ2S068C	L 1403 (A,84,38) Chip Beads	VTL1126
	D 1653 (B,166,106) Diode	DZ2S068C	L 1405 (A,87,37) Chip Beads	VTL1126
	D 1801 (B,66,80) Diode	1SR154-400	L 1407 (A,84,36) Chip Beads	VTL1126
	D 1901 (B,38,41) Diode	CRG03	L 1409 (A,87,35) Chip Beads	VTL1126
	D 1951 (A,161,60) Diode	RB056L-40	L 1411 (A,87,34) Chip Beads	VTL1126
C	D 1952 (A,153,56) Diode	RB056L-40	L 1413 (A,87,33) Chip Beads	VTL1126
	D 1953 (A,159,109) Diode	RB060M-30	L 1415 (A,86,32) Chip Beads	VTL1126
	D 1954 (A,159,106) Diode	RB060M-30	L 1601 (A,132,101) Inductor	CTF1713
	D 2101 (A,164,91) Diode	RB056L-40	L 1691 (A,157,21) Inductor	CTF1786
	D 2161 (B,141,100) Diode(A)	RB060M-30	L 1951 (A,164,52) Coil	CTH1463
	D 2162 (B,152,103) Diode(A)	RB060M-30	L 1952 (A,151,51) Choke Coil 22 uH(A)	CTH1561
	L 501 (A,46,88) Chip Coil	LCTAWR15J2520	(A,151,51) Inductor(B,C,D,E)	CTH1524
	L 502 (A,43,87) Chip Coil	LCTAWR27J2520	L 1953 (A,163,100) Choke Coil 10 uH	CTH1486
	L 503 (A,40,87) Inductor	CTF1786	L 2101 (A,158,91) Choke Coil 22 uH	CTH1561
	L 504 (A,38,86) SMD Ferrite Beads	CTF1806	L 2161 (A,140,101) Inductor(A)	CTH1524
	L 505 (A,34,92) Inductor	CTF1389	X 501 (A,52,72) Resonator 36.480 MHz	CSS1805
D	L 506 (A,43,85) Inductor	CTF1794	X 601 (A,71,53) Crystal Resonator 12.500 MHz	CSS1839
	L 507 (A,32,86) Inductor	LCYC220K1608	X 1301 (A,103,62) Resonator 48.000 MHz	CSS1760
	L 508 (A,32,82) Inductor(A,C)	LCYB68NJ1005	X 1302 (A,113,62) Crystal Resonator 13.333 33 MHz	CSS1840
	L 509 (A,29,76) Chip Coil	LCTAW470J2520	X 1303 (A,86,47) Resonator 16.93 MHz	CSS1794
	L 510 (A,31,72) Inductor	CTF1786	X 1304 (A,98,64) Resonator 27.000 MHz	CSS1768
	L 511 (A,35,67) Inductor	CTF1786	P 451 (A,21,93) Surge Absorber	IMSA-6803-01Y900
	L 512 (A,50,80) Inductor	CTF1786	P 1621 (B,160,103) Poly Switch	FSMD075-24R
	L 513 (A,51,80) Inductor	CTF1786	P 1631 (B,44,106) Poly Switch	FSMD075-24R
	L 514 (A,44,65) Inductor	CTF1786	⚠ P1951 (A,45,34) Fuse 1.0 A	CEK1381
	L 517 (A,50,68) Inductor	CTF1786	⚠ P2071 (A,145,35) Fuse 1.25 A	CEK1382
	L 519 (A,33,90) Inductor	LCYB10NJ1608	⚠ P2101 (B,84,14) Fuse 0.75 A	CEK1380
E	L 801 (A,63,89) Choke Coil 600 uH	CTH1221	⚠ P2151 (A,46,22) Fuse 2.5 A	CEK1385
	L 1101 (B,135,40) Inductor	CTF1786	⚠ P2152 (A,47,24) Fuse 1.5 A	CEK1383
	L 1107 (B,119,47) Inductor	CTF1645	BZ1621 (A,126,13) Buzzer	CPV1062
	L 1151 (B,106,52) Inductor	CTF1786	U 1671 (A,159,28) BT Module	YWX5045
	L 1251 (B,138,52) Inductor	CTF1786	CN602 (A,24,7) L-Plug	KM200NA5L
	L 1301 (B,109,41) Inductor	CTF1786	CN751 (A,63,11) Connector	CKS6025
	L 1302 (B,110,54) Inductor	CTF1545	CN1671 (A,159,28) Connector	CKS6346
	L 1303 (B,108,18) Chip Beads	VTL1129	CN1751 (A,67,24) Connector	CKS6536
	L 1304 (B,138,40) Chip Beads	VTL1129	JA451 (A,14,108) Antenna Jack	YKS5041
	L 1305 (A,127,34) Chip Beads	VTL1126	JA801 (A,62,115) Plug	CKM1376
F	L 1306 (A,86,31) Chip Beads	VTL1127	JA1601 (A,137,107) USB Jack	CKN1097
	L 1311 (A,124,26) Chip Beads	VTL1127	JA1621 (A,151,121) Jack	CKB1108
	L 1312 (A,126,29) Chip Beads	VTL1127	JA1631 (A,35,118) Pin Jack	CKB1099
	L 1313 (A,124,32) Chip Beads	VTL1127	JA1651 (A,165,126) Mini Jack	AKN1073

5
Circuit Symbol and No.
 JA1671 (A,125,121) Jack

6
Part No.
 YKS5035

7
Circuit Symbol and No.

8
Part No.

RESISTORS

R 104 (B,97,74)	RS1/16SS75R0D	R 620 (B,50,42)	RS1/16SS103J
R 105 (B,97,76)	RS1/16SS75R0F	R 621 (B,66,58)	RS1/16SS473J
R 110 (B,118,69)	RAB4CQ101J	R 622 (A,55,39)	RS1/16SS101J
R 121 (B,93,68)	RS1/16SS101J	R 623 (B,61,41) (A)	RS1/16SS104J
R 122 (B,92,69)	RS1/16SS101J	(B,61,41) (B,C,D,E)	RS1/16SS103J
		R 624 (B,61,42)	RS1/16SS1002D
		R 627 (B,62,42)	RS1/16SS473J
R 123 (B,93,71)	RS1/16SS101J	R 629 (A,69,53)	RS1/16SS0R0J
R 124 (B,93,72)	RS1/16SS101J	R 634 (B,64,42)	RS1/16SS473J
R 252 (A,100,105)	RS1/10SR0R0J	R 636 (A,69,48)	RS1/16SS472J
R 253 (A,97,105)	RS1/10SR0R0J	R 637 (A,68,50)	RS1/16SS472J
R 254 (A,94,105)	RS1/10SR0R0J		
		R 638 (A,63,66)	RS1/16SS102J
R 255 (A,104,104)	RS1/10SR0R0J	R 642 (B,65,49)	RS1/16SS473J
R 306 (A,66,40)	RS1/16SS103J	R 644 (A,70,50)	RS1/16SS102J
R 309 (A,82,107)	RS1/16SS0R0J	R 645 (B,66,57)	RS1/16SS102J
R 310 (B,87,101)	RS1/16SS103J	R 646 (A,68,59)	RS1/16SS121J
R 312 (B,88,95)	RS1/16SS102J		
		R 647 (A,68,61)	RS1/16SS104J
R 313 (B,95,95)	RS1/16SS104J	R 648 (A,68,60)	RS1/16SS121J
R 314 (B,94,95)	RS1/16SS473J	R 658 (B,68,56)	RS1/16SS104J
R 321 (B,85,103)	RS1/16SS683J	R 663 (A,61,66)	RS1/16SS473J
R 322 (B,85,105)	RS1/16SS152J	R 664 (A,59,66)	RS1/16SS103J
R 323 (B,83,102)	RS1/16SS683J		
		R 665 (B,54,64)	RS1/16SS0R0J
R 324 (B,85,106)	RS1/16SS101J	R 666 (A,59,69)	RS1/16SS104J
R 452 (A,9,92)	RS1/10SR0R0J	R 667 (A,58,66)	RS1/16SS103J
R 454 (B,49,81)	RS1/8SQ0R0J	R 668 (B,56,64)	RS1/16SS102J
R 456 (A,15,71)	RS1/10SR0R0J	R 673 (A,56,70)	RS1/16SS473J
R 457 (B,22,93)	RS1/10SR0R0J		
		R 677 (A,51,65)	RS1/16SS473J
R 458 (B,38,84)	RS1/8SQ0R0J	R 678 (A,51,64)	RS1/16SS473J
R 459 (B,39,79)	RS1/8SQ0R0J	R 681 (A,44,41)	RS1/16SS221J
R 519 (A,47,83)	RS1/16SS221J	R 682 (B,43,41)	RS1/16SS221J
R 520 (A,31,91)	RS1/16SS105J	R 683 (A,43,41)	RS1/16SS221J
R 521 (A,47,84)	RS1/16SS751J		
		R 686 (B,44,41)	RS1/16SS221J
R 522 (A,32,84)	RS1/16SS152J	R 688 (A,44,53)	RS1/16SS473J
R 523 (A,33,82)	RS1/16SS105J	R 689 (A,43,58)	RS1/16SS473J
R 524 (A,31,82) (B,D,E)	RS1/16SS0R0J	R 690 (B,47,57)	RS1/10SR0R0J
R 525 (A,29,79)	RS1/16SS471J	R 691 (A,42,46)	RS1/16SS102J
R 526 (A,31,78)	RS1/16SS330J		
R 527 (A,31,76)	RS1/16SS681J	R 692 (B,53,43)	RS1/16SS104J
		R 698 (B,42,41)	RS1/16SS473J
R 528 (A,28,68)	RS1/4SA5R6J	R 699 (A,45,41)	RS1/16SS104J
R 529 (A,26,69)	RS1/4SA5R6J	R 700 (B,54,47)	RS1/16SS221J
R 530 (A,26,72)	RS1/4SA5R6J	R 701 (A,68,58)	RS1/16SS473J
R 539 (A,33,70)	RS1/16SS102J		
R 540 (A,48,74)	RS1/16SS0R0J	R 707 (B,50,47)	RS1/16SS104J
		R 708 (A,41,43) (B,C,D,E)	RS1/16SS473J
R 601 (B,51,38) (B,C)	RS1/16SS104J	R 709 (A,40,42) (B,C,D,E)	RS1/16SS473J
R 602 (B,49,38) (D,E)	RS1/16SS104J	R 710 (A,34,42) (B,C,D,E)	RS1/16SS102J
R 603 (B,51,37) (D,E)	RS1/16SS104J	R 711 (A,35,43) (B,C,D,E)	RS1/16SS102J
R 604 (B,49,37) (B,C)	RS1/16SS104J		
R 605 (B,51,36) (B,D)	RS1/16SS104J	R 712 (A,38,39) (B,C,D,E)	RS1/16SS4700D
R 606 (B,49,36) (C,E)	RS1/16SS104J	R 741 (A,68,44)	RS1/16SS102J
		R 742 (A,58,39)	RS1/16SS102J
R 608 (B,49,34)	RS1/16SS104J	R 743 (A,75,48)	RS1/16SS222J
R 611 (B,51,42)	RS1/16SS103J	R 744 (A,74,47)	RS1/10SR222J
R 612 (B,55,47)	RS1/16SS221J		
R 613 (B,61,37)	RS1/16SS472J	R 745 (B,83,58)	RS1/16SS103J
R 614 (B,63,37)	RS1/16SS471J	R 746 (B,83,57)	RS1/16SS103J
		R 747 (B,83,55)	RS1/16SS103J
R 615 (B,64,37)	RS1/16SS472J	R 748 (B,83,53)	RS1/16SS103J
R 616 (B,62,37)	RS1/16SS471J	R 749 (B,76,58)	RS1/16SS105J
R 617 (B,55,42)	RS1/16SS104J		
R 618 (B,55,41)	RS1/16SS104J	R 750 (B,77,55)	RS1/16SS105J
R 619 (A,59,63)	RS1/16SS102J	R 751 (B,59,20)	RAB4CQ221J
		R 752 (B,58,15)	RS1/16SS471J
		R 753 (B,58,16)	RS1/16SS102J

	1	2	3	4
	<u>Circuit Symbol and No.</u>	<u>Part No.</u>	<u>Circuit Symbol and No.</u>	<u>Part No.</u>
	R 754 (B,68,15)	RS1/16SS0R0J	R 1320 (A,126,49)	RS1/16SS104J
	R 757 (B,64,13)	RS1/16SS472J	R 1321 (A,126,53)	RS1/16SS104J
A	R 758 (B,66,13)	RS1/16SS472J	R 1322 (A,128,48)	RS1/16SS473J
	R 759 (B,61,13)	RS1/16SS102J	R 1323 (A,118,58)	RS1/16SS101J
	R 832 (B,65,72)	RS1/16SS104J	R 1324 (A,123,54)	RS1/16SS104J
	R 833 (B,59,72)	RS1/16SS103J	R 1325 (A,94,66)	RS1/16SS2402F
	R 834 (B,55,100)	RS1/4SA102J	R 1326 (A,103,58)	RS1/16SS681J
	R 841 (B,69,72)	RS1/16SS103J	R 1327 (B,105,57)	RS1/16SS5601F
	R 842 (B,72,76)	RS1/4SA102J	R 1328 (A,112,59)	RS1/16SS222J
	R 843 (B,68,76)	RS1/16SS472J	R 1329 (B,113,54)	RS1/16SS473J
	R 864 (A,55,94)	RS1/16SS473J	R 1330 (B,114,54)	RS1/16SS473J
	R 865 (A,49,95)	RS1/16SS473J	R 1331 (A,106,61)	RS1/16SS103J
	R 866 (A,51,102)	RS1/16SS103J	R 1332 (A,107,62)	RS1/16SS101J
B	R 868 (B,43,63)	RS1/16SS102J	R 1333 (B,118,55) (A)	RS1/16SS473J
	R 873 (B,66,100)	RS1/16SS103J	R 1334 (A,114,59) (A)	RS1/16SS473J
	R 874 (B,65,100)	RS1/16SS473J	R 1335 (B,99,25)	RS1/16SS0R0J
	R 875 (B,60,100)	RS1/16SS392J	R 1337 (A,96,20)	RS1/16SS101J
	R 878 (B,62,98)	RS1/16SS104J	R 1338 (A,109,61)	RS1/16SS104J
	R 879 (B,64,98)	RS1/16SS473J	R 1339 (A,92,68)	RS1/16SS273J
	R 880 (B,55,97)	RS1/4SA102J	R 1340 (A,89,66)	RS1/16SS104J
	R 1101 (B,128,26)	RAB4CQ221J	R 1341 (B,105,41) (B,C,D,E)	RS1/16SS473J
	R 1102 (B,125,26)	RAB4CQ221J	R 1342 (B,103,12)	RS1/16SS104J
	R 1103 (B,120,30)	RAB4CQ471J	R 1344 (B,119,50)	RS1/16SS150J
	R 1104 (B,116,30)	RAB4CQ471J	R 1345 (B,103,26)	RS1/16SS473J
C	R 1105 (B,113,30)	RAB4CQ471J	R 1347 (A,129,43)	RS1/16SS0R0J
	R 1106 (B,122,47)	RS1/16SS471J	R 1348 (A,94,22)	RS1/16SS101J
	R 1108 (B,130,49)	RAB4CQ221J	R 1349 (B,95,13)	RS1/16SS0R0J
	R 1109 (B,126,49)	RAB4CQ221J	R 1350 (A,90,47)	RS1/16SS152J
	R 1110 (B,115,48)	RAB4CQ471J	R 1351 (A,91,56)	RS1/16SS102J
	R 1111 (B,112,48)	RAB4CQ471J	R 1352 (A,86,66)	RAB4CQ473J
	R 1112 (B,118,48)	RS1/16SS471J	R 1353 (B,118,51)	RS1/16SS0R0J
	R 1151 (B,98,49)	RS1/16SS0R0J	R 1355 (B,115,52)	RS1/16SS0R0J
	R 1152 (B,109,49)	RS1/16SS0R0J	R 1356 (A,129,44)	RS1/16SS0R0J
	R 1201 (B,107,38) (A)	RS1/16SS222J	R 1359 (A,128,46)	RS1/16SS0R0J
	R 1202 (B,109,34) (A)	RS1/16SS183J	R 1360 (B,122,53)	RS1/16SS0R0J
D	R 1203 (B,104,39) (A)	RS1/16SS222J	R 1361 (B,104,24)	RS1/16SS104J
	R 1205 (B,108,38) (A)	RS1/16SS101J	R 1362 (B,103,16)	RS1/16SS104J
	R 1206 (B,104,40) (A)	RS1/16SS101J	R 1365 (A,91,21)	RS1/16SS331J
	R 1209 (B,109,38) (A)	RS1/16SS221J	R 1376 (A,91,24)	RS1/16SS0R0J
	R 1251 (A,126,47)	RS1/16SS220J	R 1378 (A,88,25)	RS1/16SS0R0J
	R 1252 (A,130,49)	RS1/16SS470J	R 1379 (A,87,29)	RS1/16SS0R0J
	R 1257 (A,128,49)	RS1/16SS470J	R 1380 (A,89,51)	RS1/16SS101J
	R 1258 (A,130,46)	RS1/16SS470J	R 1381 (A,88,23)	RS1/16SS0R0J
	R 1259 (A,129,53)	RS1/16SS470J	R 1382 (A,85,50)	RS1/16SS101J
	R 1260 (B,139,54)	RS1/16SS470J	R 1383 (A,117,58)	RS1/16SS101J
E	R 1302 (A,97,19)	RS1/16SS273J	R 1384 (A,120,58)	RS1/16SS102J
	R 1303 (B,107,41)	RS1/16SS0R0J	R 1385 (A,89,50)	RS1/16SS101J
	R 1305 (A,104,20)	RS1/16SS121J	R 1386 (A,88,43)	RS1/16SS101J
	R 1306 (A,106,19)	RS1/16SS104J	R 1387 (B,113,52) (A)	RS1/16SS472J
	R 1307 (B,123,24)	RS1/16SS473J	R 1388 (A,84,43)	RS1/16SS101J
	R 1310 (B,102,29)	RS1/16SS101J	R 1389 (A,88,42)	RS1/16SS101J
	R 1311 (B,120,25)	RS1/16SS472J	R 1391 (A,111,59)	RS1/16SS102J
	R 1312 (B,121,26)	RS1/16SS472J	R 1392 (A,84,41)	RS1/16SS101J
	R 1313 (B,118,25)	RS1/16SS472J	R 1393 (A,90,27)	RS1/16SS101J
	R 1314 (A,124,28)	RS1/16SS472J	R 1394 (B,100,18)	RS1/16SS0R0J
	R 1315 (B,119,25)	RS1/16SS472J	R 1395 (A,88,41)	RS1/16SS101J
	R 1316 (B,117,25)	RS1/16SS472J	R 1396 (A,85,40)	RS1/16SS101J
F	R 1317 (A,128,34) (B,C,D,E)	RS1/16SS104J	R 1397 (B,102,23)	RS1/16SS0R0J
	R 1318 (B,110,48)	RS1/16SS104J	R 1398 (A,89,40)	RS1/16SS101J
	R 1319 (A,128,40)	RS1/16SS104J	R 1399 (B,101,18)	RS1/16SS0R0J

5		6		7		8	
<u>Circuit Symbol and No.</u>		<u>Part No.</u>	<u>Circuit Symbol and No.</u>		<u>Part No.</u>		
R 1400	(A,89,39)	RS1/16SS101J	R 1693	(A,158,22)	RS1/16SS0R0J		
R 1402	(A,86,38)	RS1/16SS101J	R 1694	(A,153,21)	RS1/16SS0R0J		
R 1404	(A,89,37)	RS1/16SS101J	R 1695	(A,151,20)	RS1/16SS0R0J		
			R 1696	(B,155,18)	RS1/16SS0R0J	A	
R 1406	(A,86,37)	RS1/16SS101J			RS1/16SS5602D		
R 1408	(A,89,35)	RS1/16SS101J	R 1822	(A,105,95)	RS1/16SS1202D		
R 1410	(A,89,34)	RS1/16SS101J	R 1823	(A,105,93)	RS1/16SS1202D		
R 1412	(A,89,33)	RS1/16SS101J	R 1824	(A,110,97)	RS1/16SS561J		
R 1414	(A,87,32)	RS1/16SS101J	R 1952	(B,149,63)	RS1/16SS3302D		
			R 1953	(B,150,64)			
R 1416	(A,87,31)	RS1/16SS0R0J					
R 1418	(A,126,36)	RS1/16SS332J	R 1954	(B,150,62)	RS1/16SS4301D		
R 1419	(A,97,22)	RS1/16SS0R0J	R 1955	(B,150,61)	RS1/16SS3601D		
R 1423	(A,113,20)	RS1/16SS222J	R 1956	(B,150,65)	RS1/16SS123J		
R 1424	(A,123,56)	RS1/16SS0R0J	R 1957	(B,159,60)	RS1/16SS103J		
			R 1959	(B,160,72) 0.011 ohm	CCN1341		
R 1425	(A,89,21)	RS1/16SS0R0J					
R 1426	(A,91,23)	RS1/16SS0R0J	R 1960	(B,163,61)	RS1/16SS204J	B	
R 1427	(A,85,29)	RS1/16SS0R0J	R 1961	(B,163,60)	RS1/16SS394J		
R 1428	(A,130,43)	RS1/16SS0R0J	R 1962	(B,154,72) 0.012 ohm	CCN1321		
R 1429	(A,130,44)	RS1/16SS0R0J	R 1963	(B,157,60)	RS1/16SS224J		
			R 1964	(B,165,64)	RS1/16SS272J		
R 1431	(A,93,66)	RS1/16SS104J					
R 1432	(A,91,65)	RS1/16SS104J	R 1965	(B,165,61)	RS1/16SS1101D		
R 1433	(A,91,62)	RS1/16SS104J	R 1966	(B,167,61)	RS1/16SS3000D		
R 1434	(A,91,58)	RS1/16SS104J	R 1967	(B,165,63)	RS1/16SS1002D		
R 1435	(A,91,60)	RS1/16SS104J	R 1968	(B,167,62)	RS1/16SS511J		
			R 2003	(B,145,36)	RS1/10SR0R0J		
R 1436	(B,92,51)	RS1/16SS104J					
R 1437	(A,99,61)	RS1/16SS122J	R 2011	(B,109,11)	RS1/16SS472J	C	
R 1438	(A,101,57)	RS1/16SS105J	R 2012	(B,110,10)	RS1/16SS223J		
R 1439	(B,76,67)	RS1/10SR0R0J	R 2013	(B,110,12)	RS1/16SS473J		
R 1440	(B,78,66)	RS1/16SS750J	R 2052	(B,145,13)	RS1/16SS0R0J		
			R 2101	(B,170,95)	RS1/16SS3601D		
R 1603	(A,128,69)	RS1/10SR0R0J					
R 1604	(B,126,102)	RS1/10SR102J	R 2102	(B,168,95)	RS1/16SS4702D		
R 1605	(A,115,70)	RS1/10SR1001D	R 2103	(B,168,96)	RS1/16SS2202D		
R 1606	(A,131,83) (B,C,D,E)	RS1/10SR0R0J	R 2104	(B,169,97)	RS1/16SS222J		
R 1607	(A,135,93) (A)	RS1/10SR0R0J	R 2105	(B,158,87)	RS1/8SQ0R0J		
R 1621	(B,149,107)	RS1/16SS750J	R 2161	(A,142,94) (A)	RS1/16SS102J		
R 1631	(B,35,107)	RS1/16SS821J	R 2162	(A,141,94) (A)	RS1/16SS102J	D	
R 1632	(A,37,109)	RS1/16SS223J	R 2163	(A,144,94) (A)	RS1/16SS102J		
R 1633	(A,39,111)	RS1/16SS472J	R 2164	(B,144,93) (A)	RS1/16SS224J		
R 1634	(A,41,108)	RS1/16SS223J	R 2165	(B,142,95) (A)	RS1/16SS4702D		
R 1635	(A,40,111)	RS1/16SS472J	R 2166	(B,153,91) (A)	RS1/16SS152J		
R 1636	(B,40,107)	RS1/16SS821J	R 2167	(B,153,90) (A)	RS1/16SS3302D		
R 1643	(B,26,107)	RS1/16SS821J	R 2168	(B,150,88) (A)	RS1/16SS8201D		
R 1644	(A,27,111)	RS1/16SS223J	R 2169	(B,150,89) (A)	RS1/16SS752J		
R 1645	(A,29,112)	RS1/16SS472J	R 2170	(A,143,94) (A)	RS1/16SS102J		
R 1646	(A,30,112)	RS1/16SS472J	R 2171	(A,137,96) 0.056 ohm(A)	ACN7160		
R 1647	(A,32,109)	RS1/16SS223J	R 2172	(B,155,96) (A)	RS1/16SS0R0J		
R 1648	(B,32,107)	RS1/16SS821J	R 2173	(B,147,90) (A)	RS1/16SS394J		
R 1651	(B,170,100)	RS1/16SS223J	R 2174	(B,147,91) (A)	RS1/16SS204J	E	
R 1652	(B,171,100)	RS1/16SS223J	R 2177	(B,151,88) (A)	RS1/16SS0R0J		
R 1653	(B,166,102)	RS1/16SS750J	R 2178	(B,152,90) (A)	RS1/16SS0R0J		
R 1654	(B,164,102)	RS1/10SR0R0J					
R 1674	(B,154,35)	RS1/16SS101J					
R 1677	(A,151,31)	RS1/16SS101J					
R 1678	(A,166,21)	RS1/16SS102J					
R 1679	(A,165,21)	RS1/16SS102J					
R 1680	(B,165,22)	RS1/16SS222J					
R 1683	(A,162,21)	RS1/16SS222J					
R 1686	(A,147,32)	RS1/16SS0R0J					
R 1687	(A,147,31)	RS1/16SS0R0J					
R 1690	(A,154,20)	RS1/16SS0R0J					
R 1692	(A,160,21)	RS1/16SS0R0J					

CAPACITORS

C 101	(B,95,67)	CKSSYB104K10
C 102	(B,95,68)	CKSSYB104K10
C 103	(B,95,69)	CKSSYB104K10
C 104	(B,95,70)	CKSSYB104K10
C 105	(B,95,71)	CKSSYB104K10
C 106	(B,95,72)	CKSSYB104K10
C 109	(B,98,72)	CKSSYB104K10
C 110	(B,101,77) 10 uF	CCG1192

	1	2	3	4
	<u>Circuit Symbol and No.</u>	<u>Part No.</u>	<u>Circuit Symbol and No.</u>	<u>Part No.</u>
	C 111 (B,97,77)	CKSSYB104K10	C 519 (A,39,84)	CKSSYB104K10
	C 112 (B,96,77)	CKSSYB104K10	C 520 (A,33,87) (A,C)	CCSSCJ3R0C50
A	C 113 (B,96,65) 10 uF	CCG1192	C 521 (A,39,83)	CKSSYB103K16
	C 114 (B,96,66)	CKSSYB104K10	C 522 (A,36,84)	CKSSYB103K16
	C 115 (B,110,78)	CKSRYB104K16	C 523 (A,35,84) 10 uF	CCG1192
	C 116 (B,108,78) 10 uF	CCG1192	C 524 (A,33,83)	CKSSYB223K16
	C 117 (B,112,75)	CKSRYB104K16	C 525 (A,41,87)	CKSRYB105K10
	C 118 (B,114,75) 10 uF	CCG1192	C 527 (A,42,83)	CKSSYB103K16
	C 122 (B,112,68)	CKSRYB105K10	C 529 (A,38,89) 10 uF	CCG1192
	C 123 (B,115,68)	CKSRYB105K10	C 530 (A,30,80) 10 uF	CCG1192
	C 124 (B,112,69)	CKSRYB105K10	C 531 (A,33,80) (A,C)	CCSSCJ3R0C50
	C 125 (B,112,70)	CKSRYB105K10	C 538 (A,31,79)	CKSSYB104K10
	C 126 (B,112,72)	CKSRYB105K10	C 539 (A,29,78)	CCSSCH101J50
B	C 127 (B,112,73)	CKSRYB105K10	C 540 (A,35,82)	CKSSYB104K10
	C 128 (B,99,62)	CKSRYB105K10	C 541 (A,28,78)	CKSSYB103K16
	C 129 (B,99,64)	CKSRYB105K10	C 542 (A,32,76)	CCSSCH820J50
	C 134 (B,110,65)	CKSRYB105K10	C 543 (A,31,73) (A,C)	CKSSYB104K10
	C 135 (B,112,66)	CKSRYB105K10	C 544 (A,30,70) 2.2 uF	CCG1218
	C 136 (B,115,67)	CKSRYB105K10	C 545 (A,32,74)	CCSSCH101J50
	C 137 (B,102,64)	CKSRYB105K10	C 547 (A,31,69)	CKSSYB104K10
	C 251 (B,114,87) 10 uF	CCG1192	C 548 (A,34,67)	CKSSYB104K10
	C 252 (B,111,86)	CKSSYB104K10	C 549 (A,33,67)	CKSSYB104K10
	C 253 (B,115,84) 10 uF	CCG1192	C 550 (A,29,72)	CKSSYB104K10
	C 254 (B,112,82)	CKSSYB104K10	C 553 (A,32,69) (A,C)	CCSSCH220J50
C	C 255 (B,93,90)	CKSRYB105K10	C 554 (A,34,70)	CKSSYB102K50
	C 262 (B,106,91)	CKSRYB105K10	C 555 (A,38,68)	CKSSYB104K10
	C 263 (B,109,89) 10 uF	CCG1192	C 556 (A,48,80) (A,C)	CCSSCH220J50
	C 264 (B,105,88)	CKSRYB105K10	C 557 (A,52,82)	CKSRYB224K16
	C 266 (B,109,83) 10 uF	CCG1192	C 558 (A,48,78)	CKSSYB224K6R3
	C 267 (B,93,88)	CKSRYB105K10	C 559 (A,51,79)	CKSRYB105K10
	C 270 (B,107,83)	CCSSCH100D50	C 560 (A,50,76) (A,C)	CCSSCH100D50
	C 271 (B,109,86)	CCSSCH100D50	C 561 (A,52,77) (A,C)	CCSSCH100D50
	C 302 (B,87,97) 10 uF	CCG1192	C 562 (A,53,77)	CKSSYB472K25
	C 305 (A,113,108)	CKSRYB104K16	C 563 (A,51,76)	CKSSYB472K25
	C 307 (B,74,120)	CCSSCH101J50	C 564 (A,52,75)	CCSSCH100D50
D	C 308 (B,74,119)	CCSSCH100D50	C 565 (A,48,75)	CKSSYB104K10
	C 311 (A,89,84)	XGEHVW101M16	C 566 (A,52,70)	CCSSCH100D50
	C 321 (B,84,104) 2.2 uF	CCG1218	C 568 (A,46,68) 2.2 uF	CCG1218
	C 341 (A,96,108)	CKSRYB224K16	C 569 (A,46,69) (A,C)	CCSRCH220J50
	C 342 (A,94,108)	CKSRYB224K16	C 570 (A,46,67)	CKSSYB104K10
	C 343 (A,102,109)	CKSRYB224K16	C 571 (A,43,67) 2.2 uF	CCG1218
	C 344 (A,99,109)	CKSRYB224K16	C 573 (A,44,68)	CKSSYB104K10
	C 352 (B,74,118)	CKSRYB104K16	C 574 (A,48,72) (A,C)	CCSSCH220J50
	C 354 (A,92,106) 10 uF	CCG1236	C 601 (A,62,40)	CKSSYB104K10
	C 355 (A,105,107)	CKSRYB105K16	C 602 (A,65,40)	CKSSYB104K10
E	C 454 (A,30,93) (A,C)	CCSSCK2R0C50	C 604 (A,63,65)	CKSSYB104K16
	C 455 (A,23,93) (A,C)	CCSSCJ3R0C50	C 606 (A,71,51)	CCSSCH100D50
	C 456 (B,24,80)	CCSSCH5R0C50	C 607 (A,68,54)	CCSSCH100D50
	C 458 (B,35,85) (A,C)	CCSSCH5R0C50	C 608 (A,68,57)	CKSSYB104K10
	C 459 (B,31,79) (A,C)	CCSSCH4R0C50	C 610 (B,64,53)	CKSSYB104K10
	C 460 (B,33,79) (A,C)	CCSSCH4R0C50	C 612 (B,65,56)	CKSSYB102K50
	C 461 (B,29,81) (A,C)	CCSSCH4R0C50	C 613 (A,44,51)	CKSSYB104K10
	C 509 (A,43,90)	CCSSCH330J50	C 614 (A,57,70)	CKSSYB103K16
	C 510 (A,45,90)	CCSSCH6R0D50	C 619 (A,73,60) 1 uF	DCH1246
	C 512 (A,32,93)	CKSRYB103K50	C 620 (A,68,56) 1 uF	DCH1246
	C 513 (A,48,90)	CKSSYB103K16	C 741 (A,60,40)	CKSSYB473K16
F	C 514 (A,40,85)	CKSSYB104K10	C 742 (B,82,60)	CKSSYB104K10
	C 515 (A,37,84)	CKSSYB104K10	C 743 (B,77,58)	CKSSYB102K50
	C 517 (A,48,87)	CKSSYB103K16	C 744 (B,78,55)	CKSSYB102K50
	C 518 (A,46,82)	CKSSYB103K16	C 745 (A,70,44)	CKSSYB473K16

5		6		7		8	
<u>Circuit Symbol and No.</u>		<u>Part No.</u>		<u>Circuit Symbol and No.</u>		<u>Part No.</u>	
C 751	(B,49,19)	CKSSYB104K10		C 1339	(A,110,61)	CCSSCH120J50	
C 753	(B,47,16) 10 uF	CCG1192		C 1340	(A,116,62)	CCSSCH120J50	
C 754	(B,54,15) 10 uF	CCG1192		C 1341	(B,93,19)	CKSSYB104K10	A
C 801	(A,78,95)	XCEAT332M16		C 1342	(B,92,29)	CKSSYB104K16	
C 831	(B,63,75)	CKSRYB104K50		C 1343	(B,92,30)	CKSSYB104K16	
C 841	(B,68,73)	CKSRYB105K10		C 1344	(B,92,34)	CKSSYB104K16	
C 861	(A,54,99)	CKSRYB104K50		C 1345	(B,92,35)	CKSSYB104K16	
C 1101	(B,135,35)	CKSSYB104K10		C 1346	(B,92,38)	CKSSYB104K16	
C 1102	(B,131,30)	CKSSYB104K10		C 1347	(B,92,39)	CKSSYB104K16	
C 1103	(B,127,30)	CKSSYB104K10		C 1348	(B,92,42)	CKSSYB104K16	
C 1104	(B,123,30)	CKSSYB104K10		C 1349	(B,92,43)	CKSSYB104K16	
C 1105	(B,110,35)	CKSSYB104K10		C 1350	(B,92,46)	CKSSYB104K16	
C 1106	(B,129,46)	CKSSYB104K10		C 1351	(A,84,46)	CCSSCH120J50	
C 1107	(B,125,46)	CKSSYB104K10		C 1352	(B,92,47)	CKSSYB104K16	B
C 1108	(B,120,46)	CCSSCH470J50		C 1353	(A,89,47)	CCSSCH120J50	
C 1152	(B,98,46) 10 uF	CCG1192		C 1354	(B,93,48)	CKSSYB104K16	
C 1153	(B,104,52)	CKSSYB104K10		C 1355	(B,108,19)	CKSSYB103K16	
C 1154	(B,102,53) 10 uF	CCG1192		C 1356	(B,138,43)	CKSSYB103K16	
C 1157	(B,98,53)	CCSSCH221J50		C 1357	(B,106,22) 10 uF	CCG1192	
C 1201	(B,109,35) (A)	CKSSYB104K10		C 1358	(B,139,42) 10 uF	CCG1192	
C 1202	(B,109,36) (A)	CKSSYB102K50		C 1360	(A,88,27)	CCSSCH470J50	
C 1251	(B,139,50)	CKSSYB104K10		C 1361	(B,101,31)	CCSSCH560J50	
C 1301	(A,96,22)	CKSSYB104K16		C 1362	(A,84,31)	CCSSCH560J50	
C 1302	(A,101,22)	CKSSYB104K16		C 1363	(A,83,32)	CCSSCH560J50	
C 1303	(A,103,23)	CKSSYB104K16		C 1364	(A,82,32)	CCSSCH560J50	C
C 1304	(A,106,22)	CKSSYB104K16		C 1365	(A,86,34)	CCSSCH560J50	
C 1305	(A,108,21)	CKSSYB104K16		C 1366	(A,84,34)	CCSSCH560J50	
C 1306	(A,110,22)	CKSSYB104K16		C 1367	(A,83,35)	CCSSCH560J50	
C 1307	(A,114,22)	CKSSYB104K16		C 1368	(A,81,35)	CCSSCH560J50	
C 1308	(A,117,22)	CKSSYB104K16		C 1369	(A,82,38)	CCSSCH560J50	
C 1309	(B,109,40)	CCSSCH470J50		C 1370	(A,82,37)	CCSSCH560J50	
C 1310	(A,124,27)	CKSSYB104K16		C 1371	(A,80,38)	CCSSCH560J50	
C 1311	(A,124,29)	CKSSYB104K16		C 1372	(A,80,39)	CCSSCH560J50	
C 1312	(A,124,31)	CKSSYB104K16		C 1373	(A,79,39)	CCSSCH560J50	
C 1313	(A,125,33)	CKSSYB104K16		C 1374	(A,77,39)	CCSSCH560J50	
C 1314	(A,124,35)	CKSSYB104K16		C 1375	(A,81,43)	CCSSCH560J50	D
C 1315	(A,124,37)	CKSSYB104K16		C 1376	(A,79,43)	CCSSCH560J50	
C 1316	(A,124,38)	CKSSYB104K16		C 1377	(A,81,47)	CCSSCH560J50	
C 1317	(A,125,40)	CKSSYB104K16		C 1379	(A,81,49)	CCSSCH560J50	
C 1318	(A,124,43)	CKSSYB104K16		C 1380	(A,81,51)	CCSSCH560J50	
C 1319	(A,124,46)	CKSSYB104K16		C 1382	(A,86,23)	CCSSCH150J50	
C 1320	(B,122,49)	CKSSYB104K16		C 1383	(A,86,30)	CCSSCH6R0D50	
C 1321	(B,122,50)	CKSSYB104K16		C 1384	(A,110,57) 1 uF	DCH1246	
C 1322	(A,123,51)	CKSSYB104K16		C 1390	(A,90,28)	CCSSCH100D50	
C 1323	(A,125,54)	CKSSYB104K16		C 1400	(A,95,64)	CCSSCH100D50	
C 1324	(A,94,57)	CKSSYB104K16		C 1401	(A,98,66)	CCSSCH100D50	
C 1325	(A,95,57)	CKSSYB104K16		C 1402	(A,96,61)	CKSRYB105K10	E
C 1326	(A,100,59)	CKSSYB104K16		C 1403	(A,97,60)	CKSSYB104K10	
C 1327	(A,102,57)	CKSSYB104K16		C 1404	(A,98,59)	CKSSYB104K10	
C 1328	(B,105,54)	CKSSYB104K16		C 1601	(A,131,90)	CKSRYB104K50	
C 1329	(B,106,54)	CKSSYB104K16		C 1602	(A,127,70)	CKSSYB104K10	
C 1330	(A,105,57)	CKSSYB104K16		C 1631	(B,37,105) 4.7 uF	CCG1201	
C 1331	(B,107,54)	CKSSYB104K16		C 1632	(B,39,105) 4.7 uF	CCG1201	
C 1332	(A,109,57)	CKSSYB104K16		C 1635	(B,28,106) 4.7 uF	CCG1201	
C 1333	(A,113,57)	CKSSYB104K16		C 1636	(B,34,105) 4.7 uF	CCG1201	
C 1334	(B,111,54)	CKSSYB104K16		C 1638	(A,45,108)	CKSRYB102K50	
C 1335	(A,114,57)	CKSSYB104K16		C 1651	(B,163,103)	CKSRYB104K50	F
C 1336	(A,106,60) 1 uF	DCH1246		C 1652	(B,168,104)	CKSRYB104K50	
C 1337	(A,104,60)	CCSSCH100D50		C 1672	(A,161,32) 10 uF	CCG1192	
C 1338	(A,103,64)	CCSSCH100D50		C 1673	(A,157,35) 10 uF	CCG1192	

	1	2
	<u>Circuit Symbol and No.</u>	<u>Part No.</u>
	C 1676 (A,162,14)	XCEVW221M4
	C 1677 (B,154,33)	CKSSYB103K16
A	C 1678 (B,163,23)	CKSRYB105K10
	C 1681 (A,158,34)	CKSRYB104K16
	C 1690 (A,158,20)	CCSSCH101J50
	C 1691 (B,121,106)	CKSSYB102K50
	C 1692 (B,128,101)	CKSSYB102K50
	C 1782 (A,83,28)	CKSSYB104K16
	C 1783 (B,77,26)	CKSSYB104K10
	C 1801 (A,69,70)	XCEVW470M16
	C 1802 (B,57,82)	CKSSYB104K10
	C 1803 (B,63,79)	CKSRYB104K50
B	C 1804 (A,76,83)	XCEAT102M16
	C 1821 (A,106,81)	XCEHVW101M16
	C 1822 (A,116,102)	CKSRYB105K16
	C 1901 (B,35,59) 10 uF	CCG1192
	C 1902 (B,32,58)	CKSRYB105K10
	C 1951 (B,150,63)	CCSSCH471J50
	C 1952 (B,150,66) (A)	CKSSYB103K16
	(B,150,66) (B,C,D,E)	CKSSYB222K50
	C 1953 (B,152,65)	CCSSCH8R0D50
	C 1954 (B,164,65)	CCSSCH8R0D50
	C 1955 (B,166,65)	CKSRYB224K16
C	C 1956 (B,165,62)	CCSSCH102J50
	C 1957 (A,163,36)	CKSSYB102K50
	C 1958 (A,163,37)	CKSSYB104K10
	C 1959 (A,162,39) 10 uF	CCG1236
	C 1960 (A,162,41) 10 uF	CCG1236
	C 1961 (A,162,44) 47 uF	CCG1229
	C 1963 (B,159,70)	CKSRYB473K50
	C 1964 (B,156,70)	CKSRYB102K50
	C 1965 (B,156,79) 10 uF	CCG1236
	C 1966 (B,158,60)	CKSSYB104K10
D	C 1967 (B,156,76) 10 uF	CCG1236
	C 1968 (B,156,74) 10 uF	CCG1236
	C 1969 (B,164,66)	CKSSYB104K16
	C 1970 (B,152,67)	CKSSYB104K16
	C 1971 (B,156,60)	CKSSYB104K10
	C 1972 (B,152,63)	CKSRYB105K10
	C 1974 (A,152,45) 47 uF	CCG1229
	C 1975 (B,158,83)	CKSRYB102K50
	C 1976 (A,152,42) 10 uF	CCG1236
	C 1977 (B,156,81) 10 uF	CCG1236
E	C 1978 (A,152,40) 10 uF	CCG1236
	C 1979 (A,164,80)	XCEAT332M16
	C 1980 (A,151,38)	CKSSYB104K10
	C 1981 (A,151,37)	CKSSYB102K50
	C 2011 (B,108,12)	CKSRYB105K10
	C 2012 (B,119,11)	CKSRYB105K10
	C 2061 (B,163,11) 4.7 uF	CCG1201
	C 2062 (B,162,15)	CKSRYB105K10
	C 2071 (A,147,35)	CKSSYB104K10
	C 2101 (A,157,87)	CKSSYB103K16
F	C 2102 (A,156,85) 10 uF	CCG1236
	C 2105 (B,168,98)	CKSSYB682K25
	C 2106 (B,163,88)	CKSSYB103K16
	C 2107 (B,159,90) 10 uF	CCG1236
	C 2108 (B,161,89)	CKSSYB103K25
	C 2109 (A,154,78)	XCEVW470M16
	C 2110 (B,88,18)	CKSSYB104K10

	3	4
	<u>Circuit Symbol and No.</u>	<u>Part No.</u>
	C 2151 (A,48,20)	CKSRYB104K16
	C 2152 (A,140,80)	CKSSYB102K50
	C 2161 (B,144,99) (A)	CKSSYB104K16
	C 2162 (B,149,101) 10 uF(A)	CCG1236
	C 2163 (A,150,97) (A)	XCEVW101M16
	C 2164 (B,142,97) (A)	CKSRYB105K10
	C 2165 (B,144,94) (A)	CKSSYB102K50
	C 2166 (B,144,92) (A)	CKSSYB472K25
	C 2167 (B,144,96) (A)	CKSSYB104K16
	C 2168 (B,152,91) (A)	CCSSCH471J50
	C 2169 (B,149,90) (A)	CKSSYB222K50
	C 2170 (B,150,90) (A)	CCSSCH270J50
	C 2171 (B,142,66) (B,C,D,E)	CKSRYB104K16
	C 2172 (A,147,109) (A)	XCEVW470M16
	C 2173 (B,155,94) (A)	CKSSYB104K16
	C 2174 (A,139,70) (B,C,D,E)	CKSRYB105K10
	C 2176 (A,139,69) (B,C,D,E)	CKSRYB104K16
	C 2177 (A,135,75) (B,C,D,E)	XCEVW101M16
	C 2185 (A,145,94) (A)	CKSSYB104K16
	C 2186 (A,143,97) 22 uF(A)	DCH1256

B
Unit Number : YXX5281
Unit Name : Monitor Unit(Service)

MISCELLANEOUS

IC 5101 (A,25,67) IC	R1290K103A
IC 5201 (A,110,69) IC	BD81A04EFV-M
Q 5101 (A,30,61) Transistor	LTC014EEB
Q 5103 (A,23,35) Transistor	LSAR523UB
Q 5106 (A,24,76) Transistor	2SA1577
Q 5402 (A,99,45) Transistor	LSCR523UB
D 5101 (A,17,71) Diode	RB162M-40
D 5103 (A,32,75) Diode	DB3S308F0
D 5104 (A,34,75) Diode	DB3S308F0
D 5105 (A,34,67) Diode	DB3S308F0
D 5201 (A,111,57) Diode	RB060M-30
L 5001 (A,17,50) Inductor	CTF1635
L 5002 (A,16,55) Chip Inductor	DTL1096
L 5003 (A,30,56) Chip Inductor	DTL1096
L 5004 (A,27,52) Chip Ferrite Bead	BTX1042
L 5101 (A,21,73) Choke Coil 22 uH	CTH1426
L 5102 (A,14,40) Inductor	LCTAW101J2520
L 5202 (A,106,58) Inductor	CTH1526
TH5201 (A,86,17) Thermistor	CCX1058
CN5001 (A,48,46) Connector	CKS6536
CN5202 (A,97,16) Connector	CKS4428
CN5301 (A,121,17) Connector	CKS6548
CN5401 (A,58,69) Connector	CKS6536
CN5402 (A,113,42) Connector	CKS6063

RESISTORS

R 5001 (A,72,42)	RS1/16SS82R0D
R 5002 (A,71,42)	RS1/16SS0R0J
R 5003 (A,72,41)	RS1/16SS1500D
R 5004 (A,70,40)	RS1/16SS0R0J
R 5005 (A,72,39)	RS1/16SS39R0D
R 5006 (A,70,38)	RS1/16SS0R0J
R 5007 (A,72,37)	RS1/16SS33R0D

5		6		7		8	
<u>Circuit Symbol and No.</u>		<u>Part No.</u>		<u>Circuit Symbol and No.</u>		<u>Part No.</u>	
R 5008	(A,70,36)	RS1/16SS0R0J		R 5418	(A,39,58)	RS1/16SS0R0J	
R 5009	(A,72,36)	RS1/16SS68R0D		R 5419	(A,40,59)	RS1/16SS0R0J	
R 5010	(A,70,35)	RS1/16SS220J		R 5420	(A,43,60)	RS1/16SS270J	
R 5011	(A,72,34)	RS1/16SS1500D		R 5421	(A,45,61)	RS1/16SS0R0J	A
R 5012	(A,70,33)	RS1/16SS1R0J		R 5422	(A,46,60)	RS1/16SS270J	
R 5013	(A,72,32)	RS1/16SS82R0D		R 5423	(A,47,61)	RS1/16SS270J	
R 5014	(A,70,31)	RS1/16SS100J		R 5424	(A,47,60)	RS1/16SS270J	
R 5015	(A,72,30)	RS1/16SS33R0D		R 5425	(A,48,61)	RS1/16SS270J	
R 5016	(A,70,29)	RS1/16SS0R0J		R 5426	(A,49,60)	RS1/16SS270J	
R 5017	(A,72,29)	RS1/16SS39R0D		R 5427	(A,50,61)	RS1/16SS270J	
R 5018	(A,70,28)	RS1/16SS0R0J		R 5428	(A,50,60)	RS1/16SS270J	
R 5019	(A,72,27)	RS1/16SS1200D		R 5429	(A,51,61)	RS1/16SS270J	
R 5020	(A,70,26)	RS1/16SS27R0D		R 5430	(A,52,60)	RS1/16SS270J	
R 5021	(A,72,25)	RS1/16SS56R0D		R 5431	(A,53,61)	RS1/16SS270J	
R 5022	(A,74,23)	RS1/16SS0R0J		R 5432	(A,53,60)	RS1/16SS270J	B
R 5024	(B,45,47)	RS1/16SS473J		R 5433	(A,54,61)	RS1/16SS270J	
R 5026	(B,39,46)	RS1/16SS473J		R 5434	(A,55,60)	RS1/16SS270J	
R 5028	(B,40,49)	RS1/16SS473J		R 5435	(A,56,61)	RS1/16SS270J	
R 5029	(B,41,49)	RS1/16SS473J		R 5436	(A,56,59)	RS1/16SS270J	
R 5101	(A,17,60)	RS1/16SS103J		R 5437	(A,57,59)	RS1/16SS270J	
R 5103	(A,24,61)	RS1/16SS203J		R 5438	(A,58,59)	RS1/16SS270J	
R 5104	(A,25,60)	RS1/16SS104J		R 5439	(A,59,59)	RS1/16SS270J	
R 5106	(A,27,63)	RS1/16SS472J		R 5440	(A,62,58)	RS1/16SS0R0J	
R 5107	(A,21,70)	RS1/16SS0R0J		R 5441	(A,70,46)	RS1/10SR0R0J	C
R 5108	(A,24,73)	RS1/16SS103J					
R 5109	(A,30,63)	RS1/16SS1502D		<u>CAPACITORS</u>			
R 5110	(A,28,64)	RS1/16SS8201D		C 5009	(A,74,35)	CKSSYB102K50	
R 5111	(A,28,63)	RS1/16SS1502D		C 5010	(A,74,34)	CKSSYB104K16	
R 5112	(B,65,79)	RS1/16SS0R0J		C 5011	(A,74,33)	CKSSYB102K50	
R 5116	(A,21,63)	RS1/16SS3001D		C 5012	(A,74,32)	CKSSYB104K16	
R 5117	(A,21,62)	RS1/16SS1502D		C 5021	(B,46,50)	CKSSYB102K50	
R 5122	(A,18,35)	RS1/16SS472J		C 5023	(B,46,47)	CKSSYB104K16	
R 5124	(A,19,35)	RS1/16SS105J		C 5025	(A,21,48) 10 uF	CCG1236	
R 5125	(A,22,38)	RS1/16SS682J		C 5026	(A,14,47)	CKSSYB102K50	
R 5126	(A,24,38)	RS1/16SS0R0J		C 5029	(B,42,46)	CKSSYB102K50	D
R 5128	(A,24,43)	RS1/16SS101J		C 5030	(B,41,46)	CKSSYB104K10	
R 5129	(A,25,40)	RS1/16SS0R0J		C 5031	(A,20,55) 10 uF	CCG1192	
R 5134	(A,16,62)	RS1/16SS0R0J		C 5034	(A,34,56)	CKSSYB104K16	
R 5135	(A,19,62)	RS1/16SS1203D		C 5035	(A,33,56) 4.7 uF	CCG1201	
R 5136	(A,18,62)	RS1/16SS472J		C 5037	(A,27,56)	CKSQYB225K16	
R 5140	(A,30,67)	RS1/16SS9102D		C 5039	(A,33,52)	CKSRYP104K50	
R 5141	(A,30,66)	RS1/16SS1802D		C 5040	(A,31,53)	CKSQYB334K50	
R 5142	(A,30,69)	RS1/16SS1003D		C 5042	(A,25,42)	CKSSYB104K16	
R 5143	(A,28,69)	RS1/16SS9101D		C 5101	(A,20,78)	CKSQYB475K6R3	
R 5202	(A,113,76)	RS1/16SS273J		C 5102	(A,21,67)	CKSSYB102K50	
R 5203	(A,114,76)	RS1/16SS511J		C 5103	(A,20,66) 1 uF	DCH1246	E
R 5205	(B,108,66)	RS1/16SS1203D		C 5104	(A,21,60)	CKSSYB473K16	
R 5206	(B,108,67)	RS1/16SS2202D		C 5105	(A,23,60)	CKSSYB104K10	
R 5207	(A,97,74)	RS1/16SS332J		C 5106	(A,28,60)	CKSRYP105K10	
R 5212	(B,106,65)	RS1/16SS1803D		C 5107	(A,24,62)	CKSSYB682K25	
R 5213	(B,106,66)	RS1/16SS1802D		C 5109	(A,32,63)	CCSSCH101J50	
R 5219	(A,103,74)	RS1/16SS104J		C 5110	(A,35,64)	CKSSYB473K16	
R 5220	(A,103,73)	RS1/16SS154J		C 5111	(A,15,64) 10 uF	CCG1236	
R 5222	(A,111,60)	RS1/16SS2R2J		C 5112	(A,15,67) 10 uF	CCG1236	
R 5409	(A,97,44)	RS1/16SS560J		C 5113	(A,21,64)	CKSSYB471K50	
R 5410	(A,96,44)	RS1/16SS0R0J		C 5114	(A,20,35)	CKSSYB104K16	F
R 5415	(A,96,46)	RS1/16SS472J		C 5115	(A,17,40) 10 uF	CCG1236	
R 5416	(A,37,58)	RS1/16SS0R0J		C 5120	(A,33,72)	CKSQYB105K25	
R 5417	(A,38,59)	RS1/16SS0R0J		C 5121	(A,35,72)	CKSQYB105K25	

1

2

3

4

Circuit Symbol and No.**Part No.****Circuit Symbol and No.****Part No.**

C 5122 (A,32,67) CKSRYB105K10
 C 5123 (A,35,66) CKSRYB104K50
 C 5124 (A,31,77) CKSQYB104K25
 C 5125 (A,34,77) CKSQYB104K25
 C 5127 (A,28,73) CKSYB475K16
 C 5140 (A,30,70) CKSSYB561K50

R 1004 (B,12,20)
 R 1007 (B,12,21)
 R 1019 (B,34,7)
 R 1025 (B,36,6)
 R 1027 (A,40,18)

RS1/16SS4702D
 RS1/16SS6801D
 RS1/16SS101J
 RS1/16SS101J
 RS1/16SS101J

C 5203 (B,110,66) 2.2 uF CCG1218
 C 5204 (A,115,76) CKSSYB104K10
 C 5205 (A,101,62) 10 uF CCG1236
 C 5206 (A,114,77) CKSSYB104K10
 C 5208 (A,116,57) 10 uF CCG1236

R 1101 (B,15,57)
 R 1102 (B,10,56)
 R 1103 (B,14,61)
 R 1104 (B,11,59)
 R 1105 (B,17,54)

RS1/16SS104J
 RS1/16SS104J
 RS1/16SS4300F
 RS1/16SS5100F
 RS1/16SS4300F

C 5209 (A,87,17) CKSSYB104K10
 C 5212 (A,122,63) CCSSCH101J50
 C 5213 (A,79,65) CKSSYB104K16
 C 5214 (A,116,74) CKSSYB104K16
 C 5215 (A,111,61) CKSSYB332K50

R 1106 (B,10,57)
 R 1109 (B,6,57)
 R 1110 (B,16,54)
 R 1111 (B,6,63)
 R 1112 (B,5,58)

RS1/16SS5600F
 RS1/16SS3R3J
 RS1/16SS3R3J
 RS1/10SR3R3J
 RS1/10SR3R3J

C 5401 (A,68,64) CKSSYB104K10

R 1113 (B,15,59)
 R 1114 (B,19,57)
 R 1115 (B,6,61)
 R 1116 (B,6,62)
 R 1117 (B,17,59)

RS1/10SR3R9J
 RS1/10SR3R3J
 RS1/10SR2R7J
 RS1/10SR2R7J
 RS1/10SR3R9J

C**Unit Number : YWX5032****Unit Name : DVD Core Unit****MISCELLANEOUS**

IC 1002 (B,15,13) Regulator IC S-1133B50-U5
 IC 1003 (B,37,11) IC S-1200B50-M5
 IC 1004 (B,64,28) IC NJM2855DL1-33
 IC 1251 (A,12,42) IC BA5839FP
 IC 1401 (B,27,41) Flash ROM Unit CWW5043

R 1253 (A,5,46)
 R 1254 (A,5,45)
 R 1255 (A,21,48)
 R 1256 (A,21,46)
 R 1257 (B,8,37)

RS1/16SS333J
 RS1/16SS473J
 RS1/16SS183J
 RS1/16SS752J
 RS1/16SS221J

IC 1402 (B,45,28) Flash ROM Unit CWW5044
 IC 1480 (A,64,30) RAM IC M12L64164A-5TG2Y
 IC 1501 (A,39,33) IC MN2DS0018MA
 IC 1801 (B,34,16) D/A Converter PCM1753DBQ
 IC 1951 (A,28,49) Logic IC TC7SZU04FU

R 1258 (A,19,39)
 R 1401 (B,34,28)
 R 1402 (B,34,47)
 R 1405 (B,55,35)
 R 1406 (B,39,45)

RS1/16SS221J
 RS1/16SS221J
 RS1/16SS104J
 RS1/16SS104J
 RS1/16SS472J

IC 1953 (B,57,17) IC S-1135D12-A6
 Q 1101 (B,13,59) Transistor LSCR523UB
 Q 1102 (B,13,56) Transistor LSCR523UB
 Q 1103 (B,10,63) Transistor 2SB1132
 Q 1104 (B,22,54) Transistor 2SB1132

R 1480 (A,72,24)
 R 1481 (A,72,28)
 R 1482 (A,72,32)
 R 1483 (A,72,35)
 R 1484 (A,72,39)

RAB4CQ560J
 RAB4CQ560J
 RAB4CQ560J
 RAB4CQ560J
 RAB4CQ560J

D 1901 (B,50,10) Diode RSB6R8SM
 D 1902 (B,50,9) Diode RSB6R8SM
 L 1501 (A,54,31) Inductor CTF1743
 L 1511 (A,48,17) Chip Beads VTL1126
 L 1902 (A,17,17) Inductor CTF1487

R 1485 (A,55,22)
 R 1486 (A,55,28)
 R 1487 (A,56,37)
 R 1488 (A,55,40)
 R 1489 (A,54,30)

RAB4CQ560J
 RAB4CQ560J
 RAB4CQ560J
 RAB4CQ560J
 RS1/16SS560J

L 1903 (B,63,16) Inductor CTF1558
 L 1904 (A,68,18) Ferrite Bead CTF1528
 X 1501 (B,48,18) Oscillator 27.000 MHz CSS1823
 X 1950 (A,23,51) Oscillator 48.000 MHz CSS1760
 F 1001 (A,14,19) Chip EMI Filter DTF1106

R 1490 (A,72,21)
 R 1501 (B,48,21)
 R 1503 (B,46,21)
 R 1504 (A,50,17)
 R 1505 (B,45,15)

RS1/16SS560J
 RS1/16SS122J
 RS1/16SS105J
 RS1/16SS121J
 RS1/16SS101J

F 1002 (B,63,18) Chip EMI Filter DTL1106
 S 1 (A,47,55) Spring Switch(HOME) CSN1080
 S 3 (B,25,13) Spring Switch(12EJ) CSN1081
 VR1101 (A,7,63) Semi-fixed 6.8 kohm(B) CCP1447
 VR1102 (A,7,60) Semi-fixed 15 kohm(B) CCP1449

R 1506 (B,45,14)
 R 1507 (B,43,17)
 R 1508 (B,42,18)
 R 1509 (A,20,34)
 R 1510 (A,11,29)

RS1/16SS101J
 RS1/16SS101J
 RS1/16SS221J
 RS1/16SS102J
 RS1/16SS102J

F CN1101 (A,21,63) Connector CKS6331
 CN1952 (A,42,11) Connector CKS6025

R 1512 (A,55,32)
 R 1513 (A,23,38)
 R 1514 (A,24,40)
 R 1516 (A,24,36)
 R 1517 (B,57,22)

RS1/16SS470J
 RS1/16SS103J
 RS1/16SS183J
 RS1/16SS104J
 RS1/16SS103J

RESISTORS

AVH-200BT/XNUC

1

2

3

4

5		6		7		8	
<u>Circuit Symbol and No.</u>		<u>Part No.</u>		<u>Circuit Symbol and No.</u>		<u>Part No.</u>	
R 1518	(B,33,31)	RS1/16SS103J		C 1040	(B,51,7)	CCSRCH821J50	
R 1519	(A,24,43)	RS1/16SS102J		C 1041	(B,19,11)	CCSRCH271J50	
R 1522	(A,21,37)	RS1/16SS104J		C 1101	(B,14,53) 10 uF	CCG1192	A
R 1523	(A,22,37)	RS1/16SS221J		C 1104	(B,7,57)	CKSSYB104K10	
R 1524	(B,29,33)	RS1/16SS472J		C 1105	(B,18,54)	CKSSYB104K10	
R 1525	(A,24,44)	RS1/16SS103J		C 1106	(B,8,66)	CKSSYB103K16	
R 1526	(A,22,40)	RS1/16SS103J		C 1107	(B,25,53)	CKSSYB103K16	
R 1527	(A,35,49)	RS1/16SS682J		C 1108	(A,19,57)	CKSSYB103K16	
R 1528	(B,19,34)	RS1/16SS103J		C 1109	(A,7,57)	CKSRYP224K16	
R 1529	(B,35,21)	RS1/16SS103J		C 1110	(A,17,58)	CKSSYB103K16	
R 1530	(B,17,34)	RS1/16SS103J		C 1111	(A,9,66)	CKSRYP224K16	
R 1531	(B,33,30)	RS1/16SS103J		C 1112	(B,17,52) 22 uF	DCH1256	
R 1532	(A,24,42)	RS1/16SS101J		C 1113	(B,8,58) 22 uF	DCH1256	
R 1534	(B,29,48)	RS1/16SS221J		C 1210	(B,77,34)	CKSRYP104K16	B
R 1535	(A,22,44)	RS1/16SS104J		C 1251	(B,12,41)	CEVW101M16	
R 1536	(B,32,48)	RS1/16SS104J		C 1252	(B,7,41) 4.7 uF	CCG1222	
R 1537	(A,24,46)	RS1/16SS104J		C 1253	(B,7,39)	CKSSYB104K16	
R 1538	(A,55,35)	RS1/16SS104J		C 1254	(A,6,38)	CKSSYB104K16	
R 1539	(B,33,48)	RS1/16SS104J		C 1255	(A,18,37)	CKSSYB104K16	
R 1540	(A,26,46)	RS1/16SS221J		C 1401	(B,34,27)	CKSSYB104K16	
R 1541	(A,26,45)	RS1/16SS221J		C 1403	(B,39,40)	CKSSYB104K10	
R 1542	(B,26,34)	RS1/16SS103J		C 1404	(B,40,40) 4.7 uF	CCG1201	
R 1543	(A,32,48)	RS1/16SS181J		C 1408	(B,57,27)	CKSSYB104K10	
R 1544	(A,36,48)	RS1/16SS181J		C 1409	(B,58,29) 4.7 uF	CCG1201	
R 1546	(A,33,49)	RS1/16SS682J		C 1410	(B,33,29)	CKSSYB104K16	C
R 1601	(A,32,17)	RS1/16SS123J		C 1480	(A,71,19)	CKSSYB104K10	
R 1602	(A,32,18)	RS1/16SS123J		C 1481	(A,72,22)	CKSSYB104K10	
R 1603	(B,31,21)	RS1/16SS1002D		C 1482	(A,72,26)	CKSSYB104K10	
R 1604	(A,23,21)	RS1/16SS105J		C 1484	(A,72,30)	CKSSYB104K10	
R 1605	(A,22,23)	RS1/16SS105J		C 1485	(A,72,41)	CKSSYB104K10	
R 1670	(B,40,21)	RS1/16SS1002D		C 1487	(A,57,29)	CKSSYB104K10	
R 1671	(B,42,19)	RS1/16SS2402D		C 1488	(A,57,25)	CKSSYB104K10	
R 1672	(A,39,18)	RS1/16SS2000D		C 1489	(A,64,17) 10 uF	CCG1192	
R 1674	(A,36,17)	RS1/16SS3002D		C 1490	(A,66,18)	CKSSYB102K50	
R 1801	(B,41,8)	RS1/16SS104J		C 1501	(B,61,20) 10 uF	CCG1192	D
R 1802	(B,43,8)	RS1/16SS104J		C 1502	(B,54,20) 10 uF	CCG1192	
R 1803	(B,37,13)	RS1/16SS821J		C 1503	(A,54,33)	CKSSYB104K10	
R 1804	(B,39,14)	RS1/16SS821J		C 1504	(A,53,24)	CKSSYB104K10	
R 1950	(A,44,18)	RS1/10SR24R0F		C 1505	(A,53,27)	CKSSYB104K10	
R 1951	(A,42,18)	RS1/10SR24R0F		C 1506	(B,52,35)	CKSSYB104K10	
R 1952	(A,26,50)	RS1/16SS105J		C 1507	(A,53,36)	CKSSYB104K10	
R 1953	(A,26,51)	RS1/16SS821J		C 1508	(A,53,39)	CKSSYB104K10	
R 1954	(A,48,5)	RS1/16SS153J		C 1509	(A,53,42)	CKSSYB104K10	
R 1955	(A,50,5)	RS1/16SS153J		C 1510	(B,51,18)	CCSSCH100D50	
R 1982	(A,10,62)	RS1/16SS822J		C 1511	(A,48,18)	CKSSYB104K10	
R 1983	(B,40,20)	RS1/16SS1000D		C 1512	(B,45,18)	CCSSCH100D50	E
R 1987	(B,43,21)	RS1/16SS0R0J		C 1513	(A,48,48)	CKSSYB104K10	
				C 1514	(B,45,21)	CKSSYB104K10	
				C 1515	(A,45,18)	CKSSYB104K10	
				C 1516	(A,43,48)	CKSSYB104K10	
<u>CAPACITORS</u>							
C 1001	(B,34,10)	CKSRYP105K10		C 1517	(A,42,48)	CKSSYB104K10	
C 1002	(B,12,17)	CKSSYB104K16		C 1518	(A,38,48)	CKSSYB104K10	
C 1003	(B,15,19)	CKSSYB104K16		C 1519	(A,34,47)	CKSSYB104K10	
C 1004	(B,15,17) 4.7 uF	CCG1201		C 1520	(A,27,47)	CKSSYB104K10	
C 1005	(B,40,11)	CKSRYP105K16		C 1521	(A,24,34)	CKSSYB104K10	
C 1010	(B,60,23)	CKSQYB225K10					
C 1011	(B,64,22)	CKSRYP105K10		C 1522	(A,25,38)	CKSSYB104K10	F
C 1015	(A,25,7)	CKSSYB102K50		C 1523	(A,20,46)	CKSSYB224K6R3	
C 1016	(B,64,15)	CKSSYB102K50		C 1524	(A,20,48)	CKSSYB473K16	
C 1018	(B,14,21)	CKSSYB104K10		C 1526	(A,24,37)	CKSSYB103K16	
				C 1528	(B,30,48)	CCSSCH471J50	

	1	2	3	4
	<u>Circuit Symbol and No.</u>	<u>Part No.</u>	<u>Circuit Symbol and No.</u>	<u>Part No.</u>
			CN4801 (B,15,43) Connector	CKS6063
			RESISTORS	
A	C 1601 (A,32,19)	CKSSYB103K16	R 4801 (B,9,73)	RS1/16SS470J
	C 1602 (A,34,17)	CCSSCH101J50	R 4802 (A,11,13)	RS1/16SS222J
	C 1603 (A,33,18)	CCSSCH101J50	R 4803 (A,9,13)	RS1/16SS472J
	C 1604 (A,30,17)	CCSSCH680J50	R 4804 (A,8,39)	RS1/16SS123J
	C 1605 (A,30,18)	CCSSCH680J50	R 4805 (A,16,63)	RS1/16SS182J
	C 1606 (A,35,19)	CKSSYB104K10		
	C 1607 (A,20,24) 10 uF	CCG1192	R 4806 (A,14,65)	RS1/16SS222J
	C 1608 (A,28,18) 4.7 uF	CCG1201	R 4807 (A,15,72)	RS1/16SS472J
	C 1609 (A,26,22)	CKSSYB104K10	R 4808 (A,11,14)	RS1/16SS182J
	C 1612 (A,24,24)	CKSSYB104K10		
	C 1613 (A,24,25)	CKSSYB104K10	CAPACITORS	
	C 1614 (A,22,24)	CKSSYB104K10	C 4805 (B,11,92) 10 uF	CCG1192
	C 1615 (A,23,26)	CKSSYB104K10		
B	C 1616 (A,24,27)	CKSSYB104K10		
	C 1617 (B,27,28)	CKSSYB104K10		
	C 1618 (A,22,29)	CCSSCH101J50		
	C 1619 (A,23,30)	CKSSYB562K25		
	C 1620 (B,27,30)	CKSSYB224K6R3		
	C 1621 (A,22,31)	CKSSYB224K6R3		
	C 1622 (A,24,31)	CKSSYB333K16		
	C 1623 (A,27,20)	CKSRYB105K10		
	C 1624 (A,24,32)	CKSSYB104K10		
	C 1625 (A,24,29)	CKSSYB104K10		
	C 1671 (A,41,18)	CKSSYB104K10		
C	C 1673 (A,37,19)	CKSSYB104K10		
	C 1674 (B,42,20)	CKSSYB104K10		
	C 1676 (B,38,21)	CKSRYB105K10		
	C 1801 (B,42,10) 4.7 uF	CCG1201		
	C 1802 (B,46,10) 4.7 uF	CCG1201		
	C 1803 (B,42,12)	CCSRCH182J50		
	C 1804 (B,45,12)	CCSRCH182J50		
	C 1805 (B,34,13)	CKSSYB104K10		
	C 1806 (B,32,13) 10 uF	CCG1192		
	C 1809 (B,39,16)	CKSSYB104K10		
	C 1950 (A,27,51)	CKSSYB104K10		
D	C 1951 (A,23,54)	CCSSCH100D50		
	C 1952 (A,24,48)	CCSSCH100D50		
	C 1953 (B,60,17)	CKSRYB105K10		
	C 1954 (B,54,17)	CKSRYB105K10		
	C 1955 (B,77,40)	CKSSYB104K16		

D

Unit Number : YXX5282

Unit Name : Key Unit(Service)

MISCELLANEOUS

IC 4801 (A,10,91) IR RC REC Module	PNJ4833M
D 4801 (A,14,44) Blue LED	FM-3528BK-470M
S 4801 (A,13,18) Push Switch	CSG1155
S 4802 (A,13,8) Push Switch	CSG1155
S 4803 (A,13,29) Push Switch	CSG1155
S 4804 (A,9,44) Push Switch	CSG1155
S 4805 (A,23,93) Push Switch	CSG1155
S 4806 (A,13,59) Push Switch	CSG1155
S 4807 (A,13,80) Push Switch	CSG1155
S 4808 (A,13,69) Push Switch	CSG1155
S 4809 (A,17,93) Push Switch	CSG1155