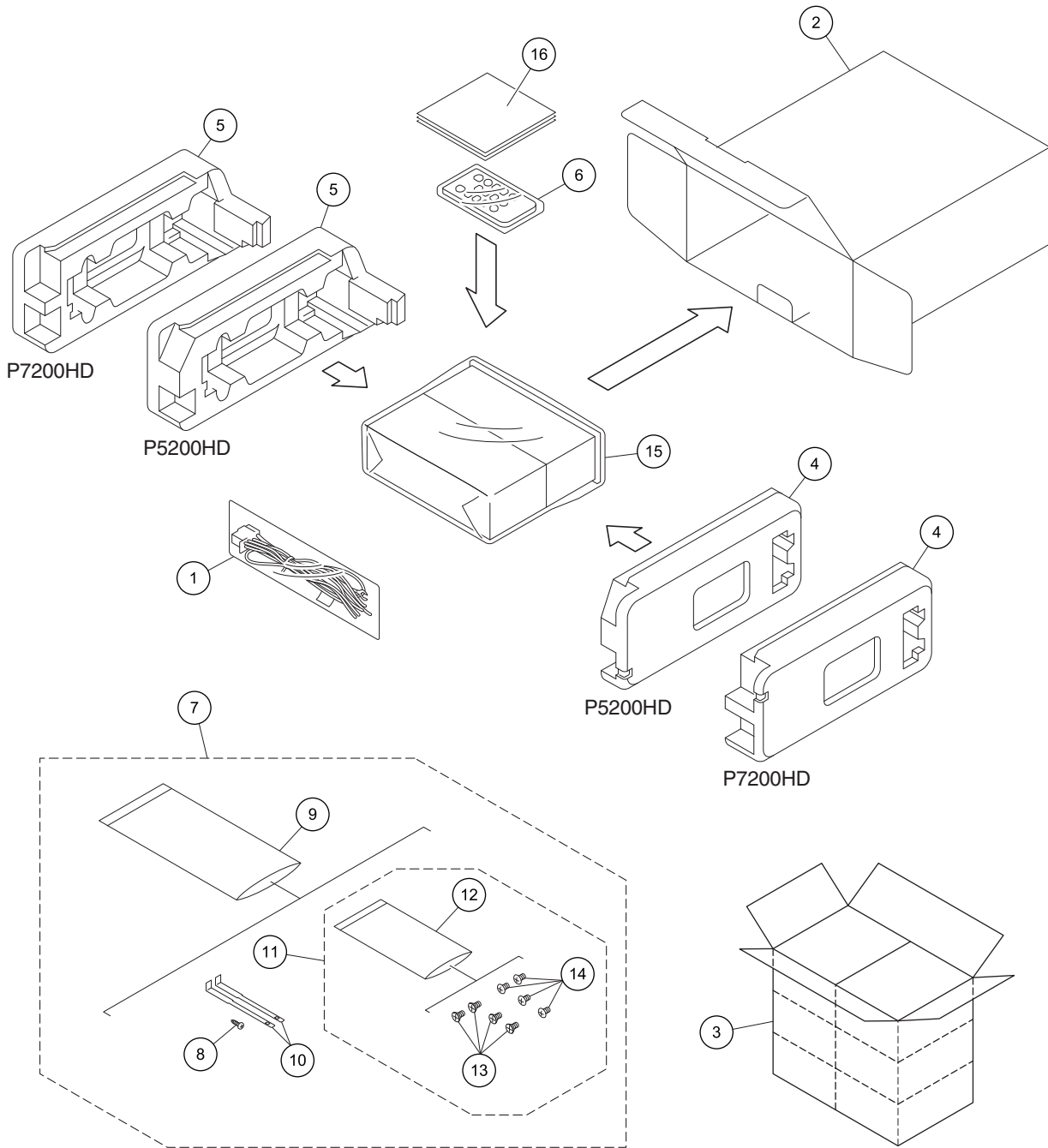


9. EXPLODED VIEWS AND PARTS LIST

- NOTES :
- Parts marked by " * " are generally unavailable because they are not in our Master Spare Parts List.
 - The \triangle mark found on some component parts indicates the importance of the safety factor of the part. Therefore, when replacing, be sure to use parts of identical designation.
 - Screw adjacent to ∇ mark on the product are used for disassembly.
 - For the applying amount of lubricants or glue, follow the instructions in this manual. (In the case of no amount instructions, apply as you think it appropriate.)

9.1 PACKING



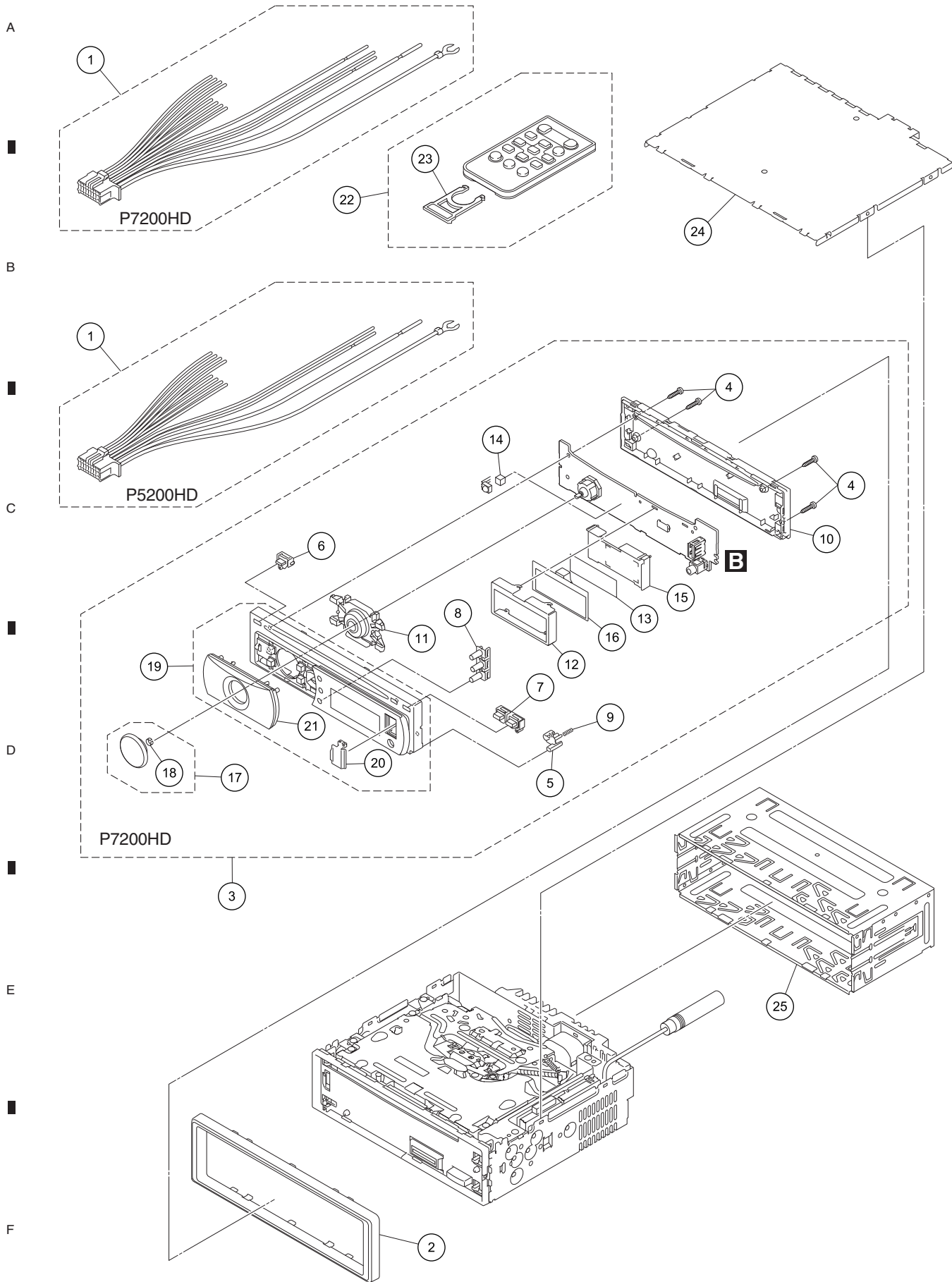
PACKING SECTION PARTS LIST

<u>Mark No.</u>	<u>Description</u>	<u>Part No.</u>	<u>Mark No.</u>	<u>Description</u>	<u>Part No.</u>
1	Cord Assy(P7200HD)	CDP1269	9	Polyethylene Bag	CEG1160
	Cord Assy(P5200HD)	YDP5039	10	Handle	CND3707
2	Unit Box(P7200HD)	CHG7110			
	Unit Box(P5200HD)	CHG7111	11	Screw Assy	YEA5072
3	Contain Box(P7200HD)	CHL7110	*	Polyethylene Bag	CEG-127
	Contain Box(P5200HD)	CHL7111	13	Screw	CRZ50P090FTC
4	Protector(P7200HD)	CHP3962	14	Screw	TRZ50P080FTC
	Protector(P5200HD)	CHP3941	15	Polyethylene Bag	CEG1173
5	Protector(P7200HD)	CHP3963	16-1	Owner's Manual(P7200HD)	CRD4439
	Protector(P5200HD)	CHP3942		Owner's Manual(P5200HD)	CRD4446
6	Remote Control Unit	CXE2758	16-2	Installation Manual(P7200HD)	CRD4440
				Installation Manual(P5200HD)	CRD4447
*	7 Accessory Assy	YEA5071	* 16-3	Warranty Card	CRY1276
8	Screw	BPZ20P060FTC			

Owner's Manual,Installation Manual

Part No.	Language
CRD4439	English, French, Spanish(Espanol)
CRD4440	English, French, Spanish(Espanol)
CRD4446	English, French, Spanish(Espanol)
CRD4447	English, French, Spanish(Espanol)

9.2 EXTERIOR(1)



EXTERIOR(1) SECTION PARTS LIST

<u>Mark No.</u>	<u>Description</u>	<u>Part No.</u>
1	Cord Assy(P7200HD)	CDP1269
	Cord Assy(P5200HD)	YDP5039
2	Panel	CNU1016
3	Detach Grille Assy	CXE2477
4	Screw	BPZ20P100FTC
5	Button(DETACH)	CAI2699
6	Button(S.Rtrv/SAT MODE)	CAI2700
7	Button(EJECT, CLK/DISP OFF)	CAI2701
8	Button(TAG, iPod, LOC)	CAI2702
9	Spring	CBH2210
10	Cover	CNU1025
11	Lighting Conductor	CNW1756
12	Holder	CND5436
13	Double Side Tape	CNM8673
14	Cushion	CNN3211
15	Holder	CNW1758
16	OEL Module	MXS4011
17	Knob Unit	CXE2507
18	Spring	XBL7005
19	Grille Unit	CXE2887
* 20	Door(USB)	CAT2912
* 21	Button Unit(SRC, BAND, LIST, BACK)	CXE2509
22	Remote Control Unit	CXE2758
23	Cover	CNS7068
24	Case	YNB5063
25	Holder	CND3598

A

B

C

D

E

F

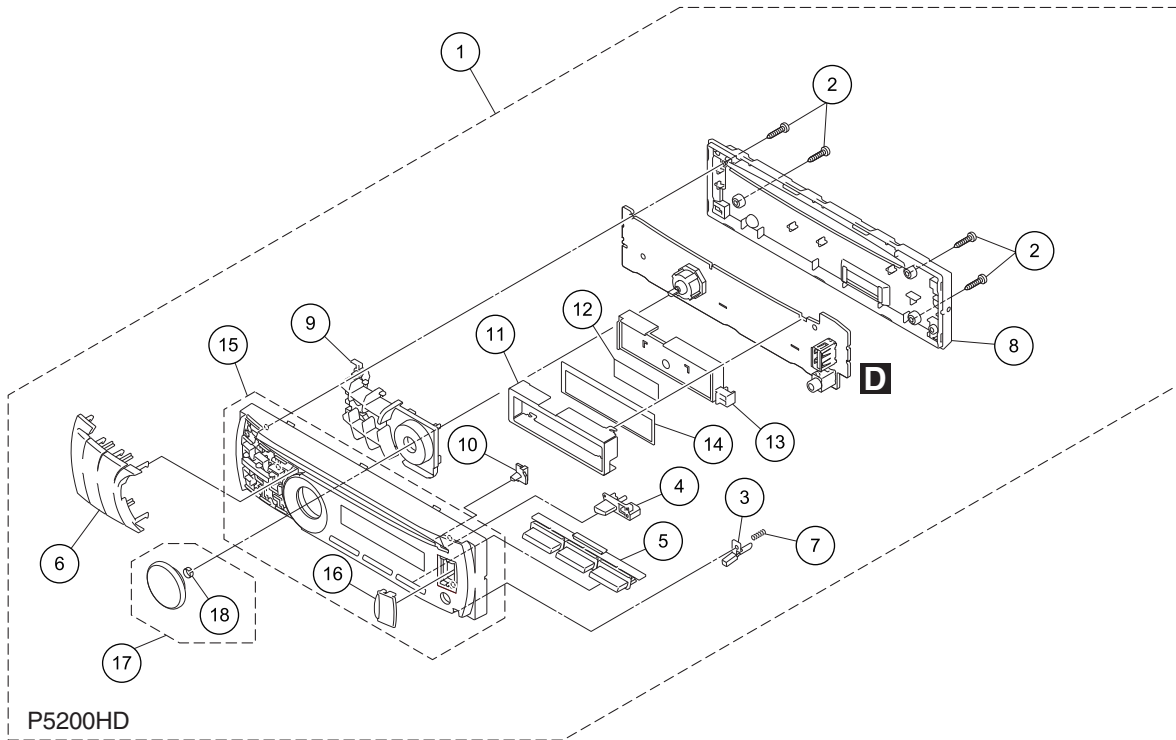
9.3 EXTERIOR(2)

A

B

C

D



E

F

<u>Mark No.</u>	<u>Description</u>	<u>Part No.</u>	
1	Detach Grille Assy	CXE2480	
2	Screw	BPZ20P100FTC	A
3	Button(DETACH)	CAI2688	
4	Button(EJECT)	CAI2689	
5	Button(1-6)	CAI2690	
6	Button (SRC, BAND, TAG, S.Rtrv, LIST, BACK)	CAI2712	
7	Spring	CBH2210	
8	Cover	CNU1012	
9	Lighting Conductor	CNW1752	
10	Lighting Conductor	CNW1753	B
11	Holder	CND5407	
12	Double Side Tape	CNN1878	
13	Holder	CNW1754	
14	OEL Module	MXS4013	
15	Grille Unit	CXE2415	
16	Door(USB)	CAT2911	
17	Knob Unit	CXE2417	
18	Spring	XBL7005	C

EXTERIOR(3) SECTION PARTS LIST

<u>Mark No.</u>	<u>Description</u>	<u>Part No.</u>	
1	Screw	ASZ26P050FTC	
2	Screw	BSZ26P060FTC	A
3	Screw	BSZ26P100FTC	
4	Cable	CDE9106	
5	Chassis	CNA3152	
6	Earth Plate	CND4085	
7	Holder	CND5409	
8	Cushion	CNM9126	
9	Insulator	CNN3145	
10	Tuner Amp Unit(P7200HD)	CWN4802	
	Tuner Amp Unit(P5200HD)	CWN4830	B
11	Screw	BPZ26P080FTC	
12	Screw	BSZ26P060FTC	
13	Screw	BSZ26P060FTC	
14	Screw	BSZ26P160FTC	
15	Antenna Cable(JA401)	CDH1336	
16	Holder	CND5423	
17	Holder(P7200HD)	CND5433	
	Holder(P5200HD)	CND5434	
18	WWR Core Tuner Unit(U401)	CWE2145	C
19	Holder	CND5415	
20	Holder	CND5416	
21	Sheet	CNN2860	
22	Sheet	CNN3076	
⚠ 23	Fuse(10 A)	YEK5001	
24	Heat Sink	YNR5139	
25	Button	CAC4836	
26	Spring	CBH2961	
27	Spring	CBH2962	D
28	Panel	CNU1017	
29	Arm	CNV9312	
30	Arm	CNW1439	
31	Spring	YBH5012	
32	Cover	YNN5030	
33	CD Mechanism Module(S11)	CXK5800	

9.5 CD MECHANISM MODULE

A

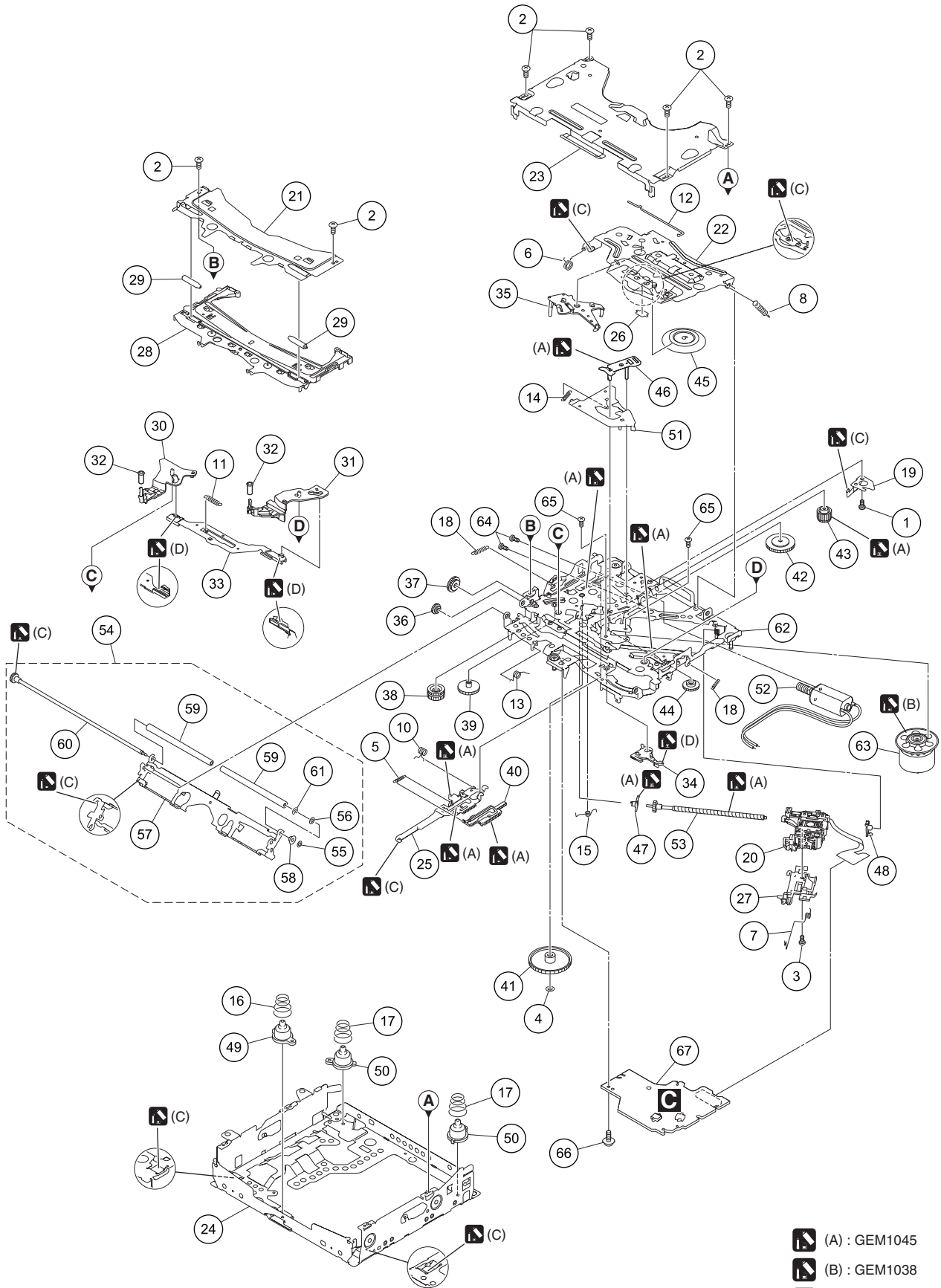
B





C

D

E

F



-  (A) : GEM1045
-  (B) : GEM1038
-  (C) : GEM1024
-  (D) : GEM1043

CD MECHANISM MODULE SECTION PARTS LIST

<u>Mark No.</u>	<u>Description</u>	<u>Part No.</u>	<u>Mark No.</u>	<u>Description</u>	<u>Part No.</u>
1	Screw	BMZ20P020FTC	50	Damper	CNW1198
2	Screw	BSZ20P040FTC			
3	Screw(M2 x 4)	CBA1835	51	Arm	CNW1726
4	Washer	CBF1038	52	Motor Unit	CXC4026
5	Spring	CBH3010	53	Screw Unit	CXC8894
			54	Arm Assy	CXC8896
6	Spring	CBH2855	55	Washer	CBF1037
7	Spring	CBH2856			
8	Spring	CBH2860	56	Washer	CBF1038
9		57	Arm	CND4554
10	Spring	CBH3011	58	Collar	CNV6906
			59	Roller	CNW1196
11	Spring	CBH3012	60	Gear Unit	CXC8893
12	Spring	CBH3014			
13	Spring	CBH3015	61	Washer	YE15FTC
14	Spring	CBH3016	62	Chassis Unit	CXE1946
15	Spring	CBH3017	63	Motor Unit	CXE2273
			64	Screw	JFZ20P025FTC
16	Spring	CBH3018	65	Screw	JGZ17P022FTC
17	Spring	CBH3019			
18	Spring	CBH3020	66	Screw	IMS20P030FTC
19	Spring	CBL1797	67	CD Core Unit (S11STD-DOUT)	CWX3774
20	Pickup Unit(S10.5)(Service)	CXX1942			
21	Bracket	CND4553			
22	Arm	CND4555			
23	Frame	CND4557			
24	Frame	CND5217			
25	Lever	CND5398			
26	Sheet	CNN2280			
27	Rack	CNV8342			
28	Guide	CNW1171			
29	Roller	CNW1172			
30	Arm	CNW1173			
31	Arm	CNW1174			
32	Roller	CNW1175			
33	Lever	CNW1176			
34	Arm	CNW1177			
35	Arm	CNW1178			
36	Gear	CNW1180			
37	Gear	CNW1181			
38	Gear	CNW1182			
39	Gear	CNW1183			
40	Rack	CNW1184			
41	Gear	CNW1185			
42	Gear	CNW1186			
43	Gear	CNW1187			
44	Gear	CNW1188			
45	Clamper	CNW1190			
46	Arm	CNW1192			
47	Holder	CNW1193			
48	Holder	CNW1194			
49	Damper	CNW1197			

12. ELECTRICAL PARTS LIST

NOTE:

- Parts whose parts numbers are omitted are subject to being not supplied.
- The part numbers shown below indicate chip components.

Chip Resistor

RS1/○S○○○○J,RS1/○○S○○○○J

Chip Capacitor (except for CQS.....)

CKS....., CCS....., CSZS.....

- The \triangle mark found on some component parts indicates the importance of the safety factor of the part. Therefore, when replacing, be sure to use parts of identical designation.
- Meaning of the figures and others in the parentheses in the parts list.

Example) IC 301 is on the point (face A, 91 of x-axis, and 111 of y-axis) of the corresponding PC board.

IC 301 (A, 91, 111) IC NJM2068V

	<u>Circuit Symbol and No.</u>	<u>Part No.</u>	<u>Circuit Symbol and No.</u>	<u>Part No.</u>
Unit Number: CWN4802(P7200HD)	IC 591	(A, 101,24) IC	341S2162	
Unit Number: CWN4830(P5200HD)	IC 601	(A, 128,96) IC(P7200HD)	PEG643C8	
Unit Name : Tuner Amp Unit		(A, 128,96) IC(P5200HD)	PEG637B8	
Unit Number: (P7200HD)	IC 651	(A, 116,107) IC	S-80827CANNB-B8M	
Unit Name : Keyboard Unit	IC 851	(A, 29,39) IC(P7200HD)	NJM2360AM	
Unit Number: CWX3774	IC 901	(A, 70,60) IC	NJM2885DL1-33	
Unit Name : CD Core Unit(S11STD-DOUT)	IC 911	(A, 6,122) IC	NJM2388F84	
Unit Number: (P5200HD)	Q 101	(A, 136,116) Transistor	LSA1576UB	
Unit Name : Keyboard Unit				
	Q 102	(A, 139,113) Transistor	LTC114EUB	
	Q 301	(A, 16,127) Transistor(P7200HD)	IMH23	
		(A, 16,127) Transistor(P5200HD)	IMH3A	
	Q 302	(A, 23,126) Transistor(P7200HD)	IMH23	
	Q 303	(A, 29,126) Transistor(P7200HD)	IMH23	
		(A, 29,126) Transistor(P5200HD)	IMH3A	
	Q 361	(A, 54,134) Transistor	LTC114EUB	
	Q 381	(A, 59,129) Transistor	LSC4081UB	
	Q 382	(A, 44,129) Transistor	RT3T22M	
	Q 441	(A, 141,108) Transistor	2SA2018	
	Q 442	(A, 144,106) Transistor	LTC114EUB	
	Q 591	(A, 106,24) Transistor	LSA1576UB	
	Q 601	(A, 116,82) Transistor	RT3T22M	
	Q 751	(A, 7,93) Transistor	2SD2396	
	Q 752	(A, 16,100) Transistor	RT3T22M	
	Q 821	(A, 41,57) Transistor(P7200HD)	2SD1767	
	Q 822	(A, 51,58) Transistor	LTC114EUB	
	Q 823	(A, 55,58) Transistor(P7200HD)	RT3T22M	
	Q 824	(A, 45,62) Transistor(P5200HD)	2SA1036K	
	Q 841	(A, 81,21) Transistor	LSA1576UB	
	Q 842	(A, 83,16) Transistor	LTC114EUB	
	Q 853	(A, 15,47) Transistor	2SD1760F5	
	Q 854	(A, 17,27) Transistor	RT3T22M	
	Q 855	(A, 51,47) Transistor(P7200HD)	2SA1577	
	Q 856	(A, 48,49) Transistor(P7200HD)	LTC114EUB	
	Q 901	(A, 7,71) Transistor	2SD2396	
	Q 902	(A, 14,77) Transistor	RT3T22M	
	Q 921	(A, 129,116) Transistor	RT3CLLM	
	Q 931	(A, 101,127) Transistor(P7200HD)	LTC114EUB	
	D 121	(A, 20,77) Diode	CMS02	
	D 122	(A, 25,88) Diode	CRG03	
	D 123	(A, 25,90) Diode	CRG03	
	D 131	(A, 58,77) Diode	CRG03	
Unit Number: CWN4802(P7200HD)	IC 101	(A, 146,125) IC	HA12241FP	
Unit Number: CWN4830(P5200HD)	IC 121	(A, 25,84) IC	BD9007F	
Unit Name : Tuner Amp Unit	IC 131	(A, 50,76) IC	NJM2846DL3-33	
	IC 132	(A, 67,78) IC	R1173S001D	
	IC 141	(A, 59,85) IC	R5523N001B	
	IC 161	(A, 52,101) Regulator IC	BD9781HFP	
	IC 181	(A, 107,73) IC	WM8761GED	
	IC 182	(A, 70,97) IC	NJM2872BF05	
	IC 201	(A, 76,118) IC	PM9012A	
	IC 351	(A, 83,141) IC	PA2030A	
	IC 401	(A, 107,109) IC	S-1132B50-U5	
	IC 402	(A, 156,71) IC	NJM4558V	
	IC 431	(A, 83,95) IC	S-1132B50-U5	
	IC 491	(A, 86,65) IC	SST25V040BIS	
	IC 501	(A, 122,53) IC	R5S7262ZD144FPU	
	IC 571	(A, 148,50) Software Unit	CWW1967	
	IC 581	(A, 78,28) IC	NJM2885DL1-33	
	IC 583	(A, 90,37) IC	BH12PB3WHFV	

5		6		7		8	
<u>Circuit Symbol and No.</u>		<u>Part No.</u>		<u>Circuit Symbol and No.</u>		<u>Part No.</u>	
D 132	(A,58,74) Diode	CRG03	CRG03	CN701	(A,96,39) Connector	VKN1192	
D 161	(A,29,96) Diode	CRG03	CRG03	CN801	(A,114,3) Connector	CKS6188	
D 162	(A,29,98) Diode	CRG03	CRG03	CN981	(A,118,141) Plug	CKM1586	
D 163	(A,37,93) Diode	CMS02	CMS02	JA 101	(A,150,136) Connector	CKS5271	A
D 164	(A,37,96) Diode	CMS02	CMS02	JA301	(A,24,137) Pin Jack(P7200HD)	XKB7001	
D 381	(A,56,128) Diode	UDZS8R2(B)	UDZS8R2(B)		(A,24,137) Pin Jack(P5200HD)	YKB5011	
D 382	(A,64,127) Diode	1SS301	1SS301	JA401	(A,166,134) Antenna Cable	CDH1336	
D 383	(A,54,128) Diode	1SS352	1SS352	JA661	(A,47,138) Connector	CKS4124	
D 581	(A,69,35) Diode	1SS352	1SS352	RESISTORS			
D 582	(A,73,33) Diode	CRG03	CRG03	R 101	(A,154,126)	RS1/16SS470J	
D 601	(A,122,83) Diode	RB551V-30	RB551V-30	R 102	(A,152,126)	RS1/16SS150J	
D 602	(A,126,107) Diode	RB751S-40	RB751S-40	R 103	(A,154,124)	RS1/16SS101J	
D 751	(A,12,101) Diode	HZU8R2(B2)	HZU8R2(B2)	R 104	(A,151,124)	RS1/16SS101J	
D 801	(A,121,13) Diode	DZ2S068C	DZ2S068C	R 105	(A,143,116)	RS1/16SS102J	B
D 802	(A,123,13) Diode	DZ2S068C	DZ2S068C				
D 803	(A,124,13) Diode	DZ2S068C	DZ2S068C	R 106	(A,140,119)	RS1/16SS222J	
D 804	(A,115,13) Diode	DZ2S068C	DZ2S068C	R 107	(A,139,116)	RS1/16SS332J	
D 805	(A,119,13) Diode	DZ2S068C	DZ2S068C	R 108	(A,137,114)	RS1/16SS562J	
D 821	(A,48,59) Diode(P7200HD)	UDZS9R1(B)	UDZS9R1(B)	R 109	(A,144,116)	RS1/16SS181J	
D 822	(A,48,56) Diode(P7200HD)	UDZS7R5(B)	UDZS7R5(B)	R 110	(A,156,124)	RS1/16SS181J	
D 851	(A,35,40) Diode(P7200HD)	RB551V-30	RB551V-30	R 111	(A,144,118)	RS1/16SS223J	
D 852	(A,20,26) Diode	HZU10(B1)	HZU10(B1)	R 112	(A,154,122)	RS1/16SS223J	
D 901	(A,15,82) Diode	CRG03	CRG03	R 113	(A,143,118)	RS1/16SS102J	
D 902	(A,12,75) Diode	UDZS5R6(B)	UDZS5R6(B)	R 114	(A,152,122)	RS1/16SS102J	
D 921	(A,138,124) Diode	HZU7L(C2)	HZU7L(C2)	R 121	(A,44,83)	RS1/10SR471J	
D 922	(A,126,128) Diode	HZU7L(A1)	HZU7L(A1)				C
D 931	(A,108,127) Diode(P7200HD)	CRG03	CRG03	R 122	(A,25,79)	RS1/16S1502F	
D 941	(A,94,128) Diode	CRG03	CRG03	R 123	(A,30,79)	RS1/16S2702F	
D 942	(A,94,126) Diode	CRG03	CRG03	R 124	(A,28,79)	RS1/16SS1502F	
D 981	(A,138,130) Diode	CRG03	CRG03	R 125	(A,22,81)	RS1/16SS103J	
D 982	(A,138,127) Diode	CRG03	CRG03	R 126	(A,30,82)	RS1/16SS4702F	
ZNR401	(A,161,128) Surge Protector	IMSA-6802-01Y900	IMSA-6802-01Y900	R 127	(A,31,82)	RS1/16SS392J	
L 121	(A,27,73) Inductor	CTH1253	CTH1253	R 128	(A,42,82)	RS1/16SS222J	
L 161	(A,46,91) Inductor	CTH1253	CTH1253	R 131	(A,53,83)	RS1/16SS102J	
L 181	(A,99,72) Inductor	CTF1735	CTF1735	R 132	(A,73,82)	RS1/16S1001D	
L 401	(A,155,112) Chip Coil	LCTAW1R0J2520	LCTAW1R0J2520	R 133	(A,72,85)	RS1/16S1002D	
L 402	(A,156,107) Chip Coil	LCTAW1R0J2520	LCTAW1R0J2520				D
L 405	(A,157,61) Chip Coil	LCTAW1R0J2520	LCTAW1R0J2520	R 135	(A,63,76)	RS1/16SS102J	
L 501	(A,97,61) Inductor	CTF1410	CTF1410	R 141	(A,97,92)	RS1/16SS104J	
L 502	(A,97,59) Inductor	CTF1410	CTF1410	R 161	(A,44,103)	RS1/16SS1003F	
L 571	(A,138,37) Inductor	CTF1735	CTF1735	R 163	(A,42,100)	RS1/16SS223J	
L 601	(A,104,93) Chip Coil	BTH1103	BTH1103	R 165	(A,44,99)	RS1/16SS1003D	
L 801	(A,117,17) Inductor	CTF1713	CTF1713				
L 851	(A,28,31) Inductor(P7200HD)	CTF1660	CTF1660	R 166	(A,41,99)	RS1/16SS2402D	
L 981	(A,116,141) Choke Coil	CTH1445	CTH1445	R 167	(A,45,98)	RS1/16SS333J	
X 501	(A,123,73) Oscillator 48.000 MHz	CSS1760	CSS1760	R 168	(A,54,96)	RS1/10SR471J	
X 503	(A,103,45) Oscillator 16.93 MHz	CSS1794	CSS1794	R 169	(A,44,97)	RS1/16SS222J	
X 601	(A,114,96) Oscillator 20.000 MHz	CSS1795	CSS1795	R 170	(A,41,98)	RS1/16SS121J	
S 651	(A,134,9) Switch(RESET)	CSG1020	CSG1020	R 181	(A,112,77)	RS1/16SS101J	
P 301	(A,41,117) Poly Switch	MINISMDC075F/24	MINISMDC075F/24	R 182	(A,110,78)	RS1/16SS101J	E
BZ601	(A,15,37) Buzzer(P7200HD)	CPV1062	CPV1062	R 183	(A,109,79)	RS1/16SS101J	
VA661	(A,53,137) Varistor	VR105C5R0AAA	VR105C5R0AAA	R 191	(A,97,69)	RS1/16SS821J	
VA662	(A,53,136) Varistor	VR105C5R0AAA	VR105C5R0AAA	R 192	(A,97,77)	RS1/16SS821J	
VA801	(A,106,16) Varistor(P5200HD)	VR105C5R0AAA	VR105C5R0AAA	R 201	(A,70,124)	RAB4CQ102J	
VA802	(A,115,15) Varistor	VR105C5R0AAA	VR105C5R0AAA	R 203	(A,89,117) (P5200HD)	RS1/10SR0R0J	
VA803	(A,120,14) Varistor	VR105C5R0AAA	VR105C5R0AAA	R 204	(A,90,117) (P7200HD)	RS1/10SR0R0J	
VA806	(A,110,15) Varistor	VR105C5R0AAA	VR105C5R0AAA	R 301	(A,17,124) (P7200HD)	RS1/16SS820J	
VA807	(A,111,15) Varistor	VR105C5R0AAA	VR105C5R0AAA		(A,17,124) (P5200HD)	RS1/16SS821J	
VA808	(A,131,17) Varistor	VR105C5R0AAA	VR105C5R0AAA	R 302	(A,21,124) (P7200HD)	RS1/16SS820J	
U 401	(A,166,84) WWR Core Tuner Unit	CWE2145	CWE2145		(A,21,124) (P5200HD)	RS1/16SS821J	F
				R 303	(A,24,124) (P7200HD)	RS1/16SS820J	
				R 304	(A,36,130) (P7200HD)	RS1/16SS820J	
				R 305	(A,28,124) (P7200HD)	RS1/16SS820J	

	1	2	3	4
	<u>Circuit Symbol and No.</u>	<u>Part No.</u>	<u>Circuit Symbol and No.</u>	<u>Part No.</u>
	(A,28,124) (P5200HD)	RS1/16SS821J	R 508 (A,127,75)	RS1/16SS101J
R 306	(A,34,127) (P7200HD)	RS1/16SS820J	R 509 (A,131,68)	RS1/16SS473J
A R 307	(A,34,127) (P5200HD)	RS1/16SS821J	R 510 (A,129,68)	RS1/16SS473J
R 308	(A,13,130)	RS1/16SS223J	R 513 (A,123,69)	RS1/16SS102J
R 309	(A,20,129)	RS1/16SS223J	R 517 (A,118,74)	RS1/16SS103J
	(A,22,129) (P7200HD)	RS1/16SS223J	R 518 (A,118,75)	RS1/16SS101J
R 310	(A,34,130) (P7200HD)	RS1/16SS223J	R 519 (A,118,73)	RS1/16SS5601F
R 311	(A,30,129)	RS1/16SS223J	R 521 (A,106,60)	RS1/16SS473J
R 312	(A,34,128)	RS1/16SS223J	R 522 (A,104,66)	RS1/16SS473J
R 313	(A,27,129) (P7200HD)	RS1/16SS0R0J	R 524 (A,106,58)	RS1/16SS104J
R 314	(A,27,130)	RS1/16SS0R0J	R 525 (A,107,57)	RS1/16SS221J
R 316	(A,29,129) (P5200HD)	RS1/16SS0R0J	R 526 (A,107,56)	RS1/16SS221J
R 351	(A,77,128) (P7200HD)	RS1/16SS362J	R 527 (A,104,56)	RS1/16SS221J
B R 352	(A,77,128) (P5200HD)	RS1/16SS0R0J	R 529 (A,106,47)	RS1/16SS332J
	(A,77,129) (P7200HD)	RS1/16SS362J	R 530 (A,108,35)	RS1/16SS101J
	(A,77,129) (P5200HD)	RS1/16SS0R0J	R 531 (A,106,42)	RS1/16SS101J
R 353	(A,82,127) (P7200HD)	RS1/16SS362J	R 532 (A,113,37)	RS1/16SS221J
	(A,82,127) (P5200HD)	RS1/16SS0R0J	R 533 (A,112,34)	RS1/16SS101J
R 354	(A,84,127) (P7200HD)	RS1/16SS362J	R 534 (A,114,37)	RS1/16SS101J
	(A,84,127) (P5200HD)	RS1/16SS0R0J	R 535 (A,114,35)	RS1/16SS101J
R 355	(A,77,127) (P7200HD)	RS1/16SS562J	R 541 (A,115,70)	RS1/16SS473J
R 356	(A,77,130) (P7200HD)	RS1/16SS562J	R 542 (A,135,36)	RS1/16SS121J
R 357	(A,82,128) (P7200HD)	RS1/16SS562J	R 543 (A,134,38)	RS1/16SS121J
R 358	(A,85,127) (P7200HD)	RS1/16SS562J	R 544 (A,137,41)	RS1/16SS472J
C R 361	(A,58,134)	RS1/16SS103J	R 545 (A,139,45)	RS1/16SS473J
R 362	(A,56,134)	RS1/16SS103J	R 547 (A,137,42)	RS1/16SS0R0J
R 363	(A,58,133)	RS1/16SS331J	R 550 (A,108,40)	RS1/16SS473J
R 365	(A,69,130)	RS1/16SS103J	R 571 (A,148,63)	RS1/16SS221J
R 381	(A,56,132)	RS1/16SS473J	R 572 (A,140,36)	RS1/16SS472J
R 382	(A,57,131)	RS1/16SS104J	R 574 (A,143,37)	RS1/16SS472J
R 384	(A,55,131)	RS1/16SS473J	R 575 (A,152,38)	RAB4CQ221J
R 385	(A,44,131)	RS1/16SS102J	R 576 (A,150,35)	RAB4CQ221J
R 386	(A,54,125)	RS1/16SS820J	R 577 (A,146,35)	RAB4CQ221J
R 401	(A,158,86)	RS1/16SS681J	R 578 (A,142,35)	RAB4CQ221J
R 402	(A,160,94)	RS1/16SS681J	R 591 (A,109,24)	RS1/16SS472J
D R 403	(A,154,100)	RS1/16SS681J	R 592 (A,106,27)	RS1/16SS101J
R 404	(A,157,99)	RS1/16SS681J	R 593 (A,101,29)	RS1/16SS103J
R 406	(A,157,100)	RS1/16SS332J	R 594 (A,106,26)	RS1/16SS101J
R 407	(A,143,100)	RS1/16SS682J	R 595 (A,100,29)	RS1/16SS103J
R 408	(A,158,87)	RS1/16SS473J	R 596 (A,103,20)	RS1/16SS473J
R 409	(A,103,105)	RS1/16SS102J	R 599 (A,102,18)	RS1/16SS272J
R 411	(A,158,67)	RS1/16SS103J	R 600 (A,100,18)	RS1/16SS472J
R 412	(A,154,68)	RS1/16SS103J	R 601 (A,112,90) (P7200HD)	RS1/16SS102J
R 413	(A,158,68)	RS1/16SS103J	R 602 (A,117,100)	RS1/16SS472J
R 414	(A,154,67)	RS1/16SS103J	R 603 (A,117,96)	RS1/16SS105J
E R 415	(A,157,66)	RS1/16SS103J	R 604 (A,117,97)	RS1/16SS101J
R 416	(A,154,66)	RS1/16SS103J	R 605 (A,114,92)	RS1/16SS104J
R 417	(A,151,74)	RS1/16SS123J	R 606 (A,120,85)	RS1/16SS101J
R 418	(A,151,73)	RS1/16SS153J	R 607 (A,114,88)	RS1/16SS104J
R 431	(A,79,93)	RS1/16SS102J	R 608 (A,117,84)	RS1/16SS103J
R 441	(A,139,108)	RS1/16SS103J	R 609 (A,114,91)	RS1/16SS104J
R 442	(A,141,106)	RS1/16SS392J	R 610 (A,114,90)	RS1/16SS104J
R 491	(A,83,62)	RS1/16SS0R0J	R 611 (A,116,86)	RS1/16SS472J
R 494	(A,80,66)	RS1/16SS101J	R 612 (A,117,86)	RS1/16SS472J
R 495	(A,80,67)	RS1/16SS101J	R 613 (A,124,79)	RS1/16SS104J
R 501	(A,136,66)	RS1/16SS473J	R 614 (A,127,80)	RS1/16SS104J
F R 502	(A,138,63)	RS1/16SS221J	R 615 (A,124,82)	RS1/16SS104J
R 504	(A,135,68)	RS1/16SS473J	R 616 (A,129,84)	RS1/16SS104J
R 505	(A,132,68)	RS1/16SS473J	R 617 (A,130,82)	RS1/16SS104J
R 507	(A,128,75)	RS1/16SS101J	R 618 (A,134,83)	RS1/16SS104J

5		6		7		8	
<u>Circuit Symbol and No.</u>		<u>Part No.</u>		<u>Circuit Symbol and No.</u>		<u>Part No.</u>	
R 619	(A,132,83)	RS1/16SS104J	RS1/16SS104J	R 827	(A,54,55) (P7200HD)	RS1/16SS0R0J	
R 622	(A,129,107) (P5200HD)	RS1/16SS104J	RS1/16SS104J	R 842	(A,83,18)	RS1/16SS472J	
R 623	(A,138,96)	RS1/16SS104J	RS1/16SS104J	R 843	(A,82,18)	RS1/16SS102J	A
R 624	(A,134,85)	RS1/16SS473J	RS1/16SS473J	R 844	(A,81,18)	RS1/16SS103J	
R 626	(A,126,106)	RS1/16SS103J	RS1/16SS103J	R 851	(A,21,43) (P5200HD)	RS1/10SR1R0J	
R 627	(A,126,86)	RS1/16SS472J	RS1/16SS472J	R 853	(A,42,49) (P7200HD)	RS1/4SA152J	
R 628	(A,138,102)	RS1/16SS104J	RS1/16SS104J	R 854	(A,29,44) (P7200HD)	RS1/10SR8200F	
R 629	(A,111,100) (P7200HD)	RS1/16SS104J	RS1/16SS104J	R 855	(A,27,44) (P7200HD)	RS1/10SR1501F	
R 630	(A,124,84)	RS1/16SS820J	RS1/16SS820J	R 856	(A,25,43) (P7200HD)	RS1/10SR2200F	
R 631	(A,125,84)	RS1/16SS101J	RS1/16SS101J	R 857	(A,23,37) (P7200HD)	RS1/10SR821J	
R 643	(A,157,98)	RS1/16SS104J	RS1/16SS104J	R 858	(A,22,40) (P7200HD)	RS1/10SR1R0J	
R 651	(A,116,105)	RS1/16SS104J	RS1/16SS104J	R 859	(A,16,29)	RS1/10SR561J	
R 652	(A,120,105)	RS1/16SS152J	RS1/16SS152J	R 860	(A,51,45) (P7200HD)	RS1/16SS473J	
R 661	(A,56,137)	RS1/10SR102J	RS1/10SR102J	R 861	(A,48,46) (P7200HD)	RS1/10SR682J	B
R 662	(A,56,136)	RS1/10SR102J	RS1/10SR102J	R 862	(A,53,46) (P5200HD)	RS1/10SR103J	
R 701	(A,99,45)	RS1/16SS472J	RS1/16SS472J	R 901	(A,13,72)	RS1/16SS472J	
R 702	(A,99,49)	RS1/16SS473J	RS1/16SS473J	R 902	(A,12,72)	RS1/16SS223J	
R 703	(A,99,47)	RS1/16SS472J	RS1/16SS472J	R 911	(A,12,109)	RS1/16SS102J	
R 704	(A,99,48)	RS1/16SS472J	RS1/16SS472J	R 912	(A,12,111)	RS1/16SS473J	
R 705	(A,99,44)	RS1/16SS221J	RS1/16SS221J	R 921	(A,132,115)	RS1/16SS104J	
R 706	(A,99,43)	RS1/16SS221J	RS1/16SS221J	R 922	(A,132,117)	RS1/16SS103J	
R 707	(A,99,42)	RS1/16SS101J	RS1/16SS101J	R 923	(A,134,115)	RS1/16SS473J	
R 708	(A,99,41)	RS1/16SS221J	RS1/16SS221J	R 924	(A,134,117)	RS1/16SS473J	
R 709	(A,99,40)	RS1/16SS101J	RS1/16SS101J	R 925	(A,123,127)	RS1/16SS472J	
R 710	(A,99,39)	RS1/16SS102J	RS1/16SS102J	R 926	(A,119,128)	RS1/4SA102J	C
R 711	(A,99,36)	RS1/16SS151J	RS1/16SS151J	R 931	(A,105,126) (P7200HD)	RS1/16SS103J	
R 712	(A,99,35)	RS1/16SS151J	RS1/16SS151J	R 932	(A,114,127) (P7200HD)	RS1/4SA102J	
R 713	(A,99,34)	RS1/16SS151J	RS1/16SS151J	<u>CAPACITORS</u>			
R 714	(A,101,31)	RS1/16SS221J	RS1/16SS221J	C 101	(A,157,127)	CKSSYB104K16	
R 715	(A,102,39)	RS1/16SS104J	RS1/16SS104J	C 102	(A,152,124)	CKSSYB102K50	
R 716	(A,99,32)	RS1/16SS104J	RS1/16SS104J	C 103	(A,153,124)	CKSSYB102K50	
R 717	(A,99,38)	RS1/16SS104J	RS1/16SS104J	C 104	(A,143,122)	CKSSYB104K10	
R 751	(A,15,98)	RS1/10SR471J	RS1/10SR471J	C 122	(A,39,73) Capacitor	CEVW221M10	
R 752	(A,12,98)	RS1/10SR471J	RS1/10SR471J	C 123	(A,24,81)	CKSSYB104K10	D
R 753	(A,13,93)	RS1/16SS473J	RS1/16SS473J	C 124	(A,21,83)	CCSSCH330J50	
R 754	(A,14,93)	RS1/16SS103J	RS1/16SS103J	C 125	(A,28,88)	CKSRYB105K16	
R 792	(A,63,45)	RAB4CQ103J	RAB4CQ103J	C 126	(A,36,85) Capacitor	CEVW221M16	
R 793	(A,58,45)	RAB4CQ103J	RAB4CQ103J	C 131	(A,50,84)	CKSQYB475K6R3	
R 801	(A,133,17)	RS1/10SR222J	RS1/10SR222J	C 133	(A,45,80)	CKSQYB475K6R3	
R 802	(A,112,15)	RS1/10SR222J	RS1/10SR222J	C 134	(A,73,75)	CKSQYB475K6R3	
R 803	(A,108,16)	RS1/10SR222J	RS1/10SR222J	C 135	(A,71,82)	CKSQYB475K6R3	
R 804	(A,120,16)	RS1/10SR222J	RS1/10SR222J	C 136	(A,78,83) Capacitor	CEVW470M16	
R 805	(A,113,15)	RS1/10SR222J	RS1/10SR222J	C 141	(A,57,87)	CKSSYB104K10	
R 808	(A,107,16) (P5200HD)	RS1/10SR222J	RS1/10SR222J	C 142	(A,57,84)	CKSSYB104K10	E
R 809	(A,132,22)	RS1/16SS104J	RS1/16SS104J	C 161	(A,36,104) Capacitor	CEVW221M16	
R 810	(A,118,20)	RS1/10SR120J	RS1/10SR120J	C 162	(A,44,105)	CKSRYB105K16	
R 811	(A,116,20)	RS1/10SR120J	RS1/10SR120J	C 163	(A,45,102)	CKSSYB104K16	
R 812	(A,127,26)	RS1/16SS104J	RS1/16SS104J	C 164	(A,45,100)	CKSSYB471K50	
R 813	(A,133,19)	RS1/16SS104J	RS1/16SS104J	C 165	(A,44,101)	CKSSYB103K10	
R 814	(A,122,18)	RS1/10SR101J	RS1/10SR101J	C 166	(A,58,91) 150 uF/6.3 V	CCH1804(P25)	
R 815	(A,123,22)	RS1/10SR101J	RS1/10SR101J	C 167	(A,43,98)	CKSSYB471K50	
R 816	(A,124,18)	RS1/10SR101J	RS1/10SR101J	C 182	(A,101,77) 10 uF	CCG1192	
R 817	(A,124,16)	RS1/16SS223J	RS1/16SS223J	C 184	(A,100,71) 10 uF	CCG1192	
R 818	(A,122,16)	RS1/16SS223J	RS1/16SS223J	C 186	(A,101,74)	CKSSYB105K6R3	
R 821	(A,50,63)	RS1/10SR222J	RS1/10SR222J	C 187	(A,73,98)	CKSSYB105K6R3	
R 822	(A,45,64)	RS1/10SR1R0J	RS1/10SR1R0J	C 188	(A,67,98)	CKSSYB104K10	F
R 823	(A,42,62) (P7200HD)	RS1/10SR182J	RS1/10SR182J	C 191	(A,97,72)	CCSRCH182J50	
R 824	(A,48,63) (P5200HD)	RS1/16SS103J	RS1/16SS103J	C 192	(A,97,74)	CCSRCH182J50	
R 825	(A,48,58) (P5200HD)	RS1/10SR472J	RS1/10SR472J				
R 826	(A,55,55) (P5200HD)	RS1/16SS0R0J	RS1/16SS0R0J				

	1		2		3		4	
	<u>Circuit Symbol and No.</u>		<u>Part No.</u>		<u>Circuit Symbol and No.</u>		<u>Part No.</u>	
A	C 193	(A,94,71)	CKSQYB475K6R3	C 431	(A,157,104)	CKSSYB105K6R3		
	C 194	(A,94,74)	CKSQYB475K6R3	C 432	(A,80,98)	CKSSYB103K10		
	C 201	(A,80,102)	CKSRYB105K10	C 433	(A,86,94)	CKSSYB104K10		
	C 202	(A,80,104)	CKSRYB105K10	C 491	(A,78,64)	CKSSYB104K10		
	C 203	(A,76,103)	CKSQYB225K10	C 501	(A,97,63) 10 uF	CCG1192		
	C 205	(A,70,112)	CKSRYB105K10	C 503	(A,100,62) 10 uF	CCG1192		
	C 206	(A,92,115)	CKSRYB105K10	C 504	(A,97,56) 10 uF	CCG1192		
	C 207	(A,70,113)	CKSRYB105K10	C 506	(A,101,58) 10 uF	CCG1192		
	C 208	(A,95,116)	CKSRYB105K10	C 507	(A,137,45)	CKSSYB104K10		
	C 209	(A,95,108)	CKSRYB105K10	C 508	(A,138,47)	CKSSYB104K10		
	C 210	(A,95,106)	CKSRYB105K10	C 509	(A,137,51)	CKSSYB104K10		
	C 213	(A,85,120) 10 uF	CCG1192	C 510	(A,137,52)	CKSSYB104K10		
	C 214	(A,82,123)	CKSSYB104K10	C 511	(A,137,56)	CKSSYB104K10		
B	C 215	(A,85,122) 10 uF	CCG1192	C 512	(A,137,58)	CKSSYB104K10		
	C 216	(A,82,125)	CKSSYB104K16	C 513	(A,137,61)	CKSSYB104K10		
	C 217	(A,84,125)	CKSQYB225K16	C 514	(A,137,63)	CKSSYB104K10		
	C 218	(A,84,118) 10 uF	CCG1192	C 515	(A,138,66)	CKSSYB103K10		
	C 219	(A,70,118)	CKSRYB105K10	C 516	(A,133,68)	CKSSYB104K10		
	C 220	(A,83,116)	CKSRYB105K10	C 519	(A,128,68)	CKSSYB104K10		
	C 225	(A,82,121)	CKSSYB104K10	C 520	(A,126,68)	CKSSYB104K10		
	C 226	(A,95,121) (P7200HD)	CEVW101M16	C 521	(A,124,69)	CKSSYB104K10		
	C 301	(A,28,119) 10 uF	CCG1192	C 522	(A,121,68)	CKSSYB104K10		
	C 302	(A,28,121) 10 uF	CCG1192	C 523	(A,122,71)	CCSSCH100D50		
	C 303	(A,32,122) 10 uF(P7200HD)	CCG1192	C 524	(A,124,71)	CCSSCH100D50		
C	C 304	(A,39,128) 10 uF(P7200HD)	CCG1192	C 525	(A,119,69)	CKSSYB104K10		
	C 305	(A,34,124) 10 uF	CCG1192	C 526	(A,118,68)	CKSSYB104K10		
	C 306	(A,39,126) 10 uF	CCG1192	C 527	(A,117,69)	CKSSYB104K10		
	C 351	(A,80,129)	CKSRYB105K10	C 528	(A,115,68)	CKSSYB104K10		
	C 352	(A,79,129)	CKSRYB105K10	C 529	(A,112,68)	CKSSYB104K10		
	C 353	(A,84,129)	CKSRYB105K10	C 530	(A,110,68)	CKSSYB104K10		
	C 354	(A,85,129)	CKSRYB105K10	C 531	(A,106,62)	CKSSYB104K10		
	C 355	(A,80,132)	CKSRYB105K16	C 532	(A,107,60)	CKSSYB104K10		
	C 356	(A,79,132)	CKSRYB105K16	C 533	(A,103,58)	CKSSYB104K10		
	C 357	(A,84,132)	CKSRYB105K16	C 534	(A,107,54)	CKSSYB104K10		
	C 358	(A,85,132)	CKSRYB105K16	C 535	(A,102,52)	CKSSYB104K10		
D	C 361	(A,135,123) 3 300 uF/16 V	CCH1486	C 536	(A,102,49)	CKSSYB104K10		
	C 362	(A,65,138)	CKSSYB104K16	C 537	(A,106,44)	CKSSYB104K10		
	C 363	(A,76,133)	CKSQYB475K10	C 538	(A,109,39)	CKSSYB104K10		
	C 364	(A,72,133)	CKSQYB475K16	C 539	(A,116,38)	CKSSYB104K10		
	C 365	(A,73,130) 10 uF	CCG1236	C 540	(A,117,38)	CKSSYB104K10		
	C 367	(A,61,132) 10 uF	CCG1192	C 541	(A,121,38)	CKSSYB104K10		
	C 381	(A,50,128) Capacitor	CEVW220M16	C 542	(A,125,37)	CKSSYB104K10		
	C 405	(A,158,107) 10 uF	CCG1192	C 543	(A,130,38)	CKSSYB104K10		
	C 406	(A,158,83) 10 uF	CCG1192	C 544	(A,132,38)	CKSSYB104K10		
	C 408	(A,158,76) 10 uF	CCG1192	C 545	(A,120,70)	CKSSYB105K6R3		
E	C 411	(A,158,57) 10 uF	CCG1192	C 546	(A,128,71)	CKSSYB102K50		
	C 412	(A,156,58)	CKSSYB105K6R3	C 547	(A,111,37)	CCSSCH220J50		
	C 413	(A,158,113) 10 uF	CCG1192	C 548	(A,104,42)	CCSSCH120J50		
	C 414	(A,110,108)	CKSRYB105K6R3	C 549	(A,103,48)	CCSSCH120J50		
	C 416	(A,103,107)	CKSRYB104K16	C 567	(A,110,34)	CCSSCH220J50		
	C 417	(A,160,67)	CCSSCH151J50	C 568	(A,115,33)	CCSSCH220J50		
	C 418	(A,153,67)	CCSSCH151J50	C 569	(A,116,35)	CCSSCH220J50		
	C 419	(A,157,67)	CKSSYB681K50	C 571	(A,136,38) 10 uF	CCG1192		
	C 420	(A,156,68)	CKSSYB681K50	C 572	(A,138,38)	CKSSYB104K10		
	C 421	(A,159,64) 10 uF	CCG1192	C 573	(A,148,38)	CKSSYB104K10		
F	C 422	(A,154,64) 10 uF	CCG1192	C 574	(A,148,62)	CKSSYB103K10		
	C 423	(A,156,74)	CKSRYB104K16	C 581	(A,69,31) 10 uF	CCG1192		
	C 424	(A,151,70) 10 uF	CCG1192	C 583	(A,69,26) 10 uF	CCG1192		
	C 425	(A,157,54)	CKSRYB102K50	C 585	(A,88,29) 10 uF	CCG1192		
	C 427	(A,160,92)	CKSSYB102K50	C 588	(A,86,38) 10 uF	CCG1192		

5		6		7		8	
<u>Circuit Symbol and No.</u>		<u>Part No.</u>		<u>Circuit Symbol and No.</u>		<u>Part No.</u>	
C 591	(A,103,19)	CKSSYB104K10		D 1848	(A,161,41) LED	CL-197HB1-D(CDE)	
C 592	(A,100,19)	CKSSYB104K10		D 1851	(A,78,28) LED	CL-197HB1-D(CDE)	
C 601	(A,101,92) 10 uF	CCG1192		D 1852	(A,7,41) LED	CL-197HB1-D(CDE)	
C 603	(A,107,92)	CKSQYB475K6R3		D 1871	(A,131,10) Diode	1SS355	A
C 604	(A,112,97)	CCSSCH100D50		L 1871	(B,106,23) Inductor	CTF1617	
C 605	(A,112,95)	CCSSCH120J50		X 1871	(A,104,17) Ceramic Resonator 16.000 MHz	CSS1616	
C 606	(A,118,94)	CKSSYB104K10		S 1821	(A,39,19) Switch	CSX1120	
C 608	(A,137,94)	CKSSYB104K10		S 1841	(A,10,7) Push Switch	CSG1155	
C 610	(A,117,99)	CKSSYB104K10		S 1842	(A,7,38) Push Switch	CSG1155	
C 651	(A,118,107)	CKSSYB105K6R3		S 1843	(A,76,31) Push Switch	CSG1155	
C 703	(A,99,33)	CCSSCH220J50		S 1844	(A,76,11) Push Switch	CSG1155	
C 704	(A,101,34)	CCSSCH100D50		S 1845	(A,68,7) Push Switch	CSG1155	
C 705	(A,101,36)	CCSSCH220J50		S 1846	(A,161,38) Push Switch	CSG1155	
C 706	(A,101,39)	CKSSYB103K10		S 1847	(A,78,21) Push Switch	CSG1155	
C 751	(A,14,96) 10 uF	CCG1192		S 1848	(A,68,29) Push Switch	CSG1155	B
C 754	(A,13,100)	CKSSYB473K10		S 1849	(A,148,38) Push Switch	CSG1155	
C 822	(A,50,64)	CKSRYB105K16		S 1850	(A,10,29) Push Switch	CSG1155	
C 823	(A,53,60) (P7200HD)	CKSSYB104K16		CN1801	(B,108,9) Connector	CKS6049	
C 843	(A,88,17)	CKSRYB104K50		CN1811	(A,151,23) Connector	YKS5036	
C 853	(A,37,49) (P7200HD)	CEVW470M16		CN1921	(A,112,21) Connector	CKS6036	
C 854	(A,28,43) (P7200HD)	CKSSYB103K25		JA1806	(A,152,8) Jack OEL Module	YKN5006	
C 855	(A,34,41) (P7200HD)	CCSSCH331J50				MXS4011	
C 856	(A,24,41)	CKSSYB104K16					
C 857	(A,28,49) (P7200HD)	CEVW101M16					
C 858	(A,19,27)	CKSSYB104K16					
C 859	(A,57,51) (P7200HD)	CEVW470M16					
C 860	(A,52,48) (P7200HD)	CKSSYB104K16					
C 862	(A,45,47) (P7200HD)	CKSYB475K25					
C 901	(A,14,62)	CEAT102M16					
C 902	(A,14,79)	CKSSYB103K10					
C 904	(A,16,70) 10 uF	CCG1192					
C 905	(A,62,62)	CKSQYB475K6R3					
C 907	(A,62,58)	CKSQYB475K6R3					
C 911	(A,26,108) Capacitor	CEVW221M10					
C 913	(A,17,113) Capacitor	CEHVW101M16					
C 921	(A,123,129)	CKSSYB104K16					
C 931	(A,104,127) (P7200HD)	CKSRYB105K16					
C 932	(A,111,127) (P7200HD)	CKSSYB473K16					
C 941	(A,97,127) (P7200HD)	CKSRYB473K50					
	(A,97,127) (P5200HD)	CKSRYB473K16					
C 953	(A,73,96)	CKSSYB103K10					
C 981	(A,138,131)	CKSRYB104K16					
				RESISTORS			
				R 1821	(B,30,28)	RS1/10SR102J	
				R 1822	(B,31,28)	RS1/10SR103J	
				R 1823	(B,26,13)	RS1/10SR333J	
				R 1824	(B,24,13)	RS1/10SR103J	
				R 1825	(B,25,21)	RS1/10SR332J	
				R 1826	(B,44,9)	RS1/10SR102J	
				R 1828	(B,47,13)	RS1/10SR103J	
				R 1829	(B,25,22)	RS1/10SR222J	
				R 1844	(B,22,15)	RS1/10SR241J	
				R 1846	(B,50,15)	RS1/10SR241J	
				R 1848	(B,50,10)	RS1/10SR331J	
				R 1850	(B,154,34)	RS1/10SR561J	
				R 1854	(B,21,30)	RS1/10SR271J	
				R 1855	(B,24,30)	RS1/10SR331J	
				R 1856	(B,17,30)	RS1/10SR681J	
				R 1858	(B,24,28)	RS1/10SR821J	
				R 1861	(B,58,12)	RS1/10SR121J	
				R 1863	(B,54,10)	RS1/10SR2R2J	
				R 1871	(A,101,10)	RS1/10SR104J	
				R 1872	(A,104,15)	RS1/10SR472J	
				R 1873	(A,104,20)	RS1/10SR473J	
				R 1874	(A,104,21)	RS1/10SR103J	
				R 1875	(B,122,27)	RS1/10SR102J	
				R 1876	(B,120,26)	RS1/10SR102J	
				R 1877	(B,118,27)	RS1/10SR102J	
				R 1878	(B,80,23)	RS1/10SR0R0J	
				R 1879	(A,131,8)	RS1/10SR154J	
				R 1880	(B,133,22)	RAB4C473J	
				R 1881	(B,137,10)	RS1/10SR103J	
				R 1882	(A,104,26)	RS1/10SR222J	
				R 1883	(B,137,13)	RS1/10SR222J	
				R 1884	(A,131,23)	RS1/10SR473J	
				R 1885	(A,132,23)	RS1/10SR473J	
				R 1886	(A,129,20)	RS1/10SR473J	
				R 1887	(A,136,24)	RAB4C473J	

B
Unit Number : (P7200HD)
Unit Name : Keyboard Unit

MISCELLANEOUS

IC 1861	(A,67,19) Remote IC	GP1UXC14RK		R 1878	(B,80,23)	RS1/10SR0R0J	
IC 1871	(A,92,18) IC	PEG651A8		R 1879	(A,131,8)	RS1/10SR154J	
IC 1872	(B,70,19) IC	PD8191B9		R 1880	(B,133,22)	RAB4C473J	
D 1841	(A,21,25) LED	CL-197HB1-D(CDE)		R 1881	(B,137,10)	RS1/10SR103J	
D 1842	(A,21,13) LED	CL-197HB1-D(CDE)		R 1882	(A,104,26)	RS1/10SR222J	
D 1843	(A,56,25) LED	CL-197HB1-D(CDE)		R 1883	(B,137,13)	RS1/10SR222J	
D 1844	(A,56,13) LED	CL-197HB1-D(CDE)		R 1884	(A,131,23)	RS1/10SR473J	
D 1845	(A,80,18) LED	CL-197HB1-D(CDE)		R 1885	(A,132,23)	RS1/10SR473J	
D 1846	(A,78,8) LED	CL-197HB1-D(CDE)		R 1886	(A,129,20)	RS1/10SR473J	
D 1847	(A,148,41) LED	CL-197HB1-D(CDE)		R 1887	(A,136,24)	RAB4C473J	

1
Circuit Symbol and No.

2
Part No.

3
Circuit Symbol and No.

4
Part No.

R 1888 (B,94,27) RS1/10SR473J
 R 1889 (B,59,26) RS1/10SR101J
 R 1890 (B,83,28) RS1/10SR0R0J
 R 1891 (B,73,31) RS1/10SR101J
 R 1892 (A,73,27) RS1/10SR101J

R 1893 (A,59,10) RS1/10SR101J
 R 1894 (B,61,10) RS1/10SR101J
 R 1895 (A,66,25) RAB4C101J
 R 1896 (B,82,20) RAB4C101J
 R 1897 (B,83,24) RAB4C101J

R 1898 (B,79,27) RAB4C101J
 R 1899 (B,78,8) RS1/10SR101J
 R 1900 (A,63,12) RAB4C101J
 R 1904 (B,83,14) RS1/10SR101J
 R 1905 (A,84,9) RS1/10SR101J

R 1906 (A,84,8) RS1/10SR101J
 R 1907 (A,87,8) RS1/10SR101J
 R 1908 (B,82,16) RAB4C101J
 R 1909 (B,84,9) RAB4C101J
 R 1910 (A,89,8) RS1/10SR221J

R 1911 (B,63,7) RS1/10SR102J
 R 1912 (A,135,10) RS1/10SR102J
 R 1913 (A,135,12) RS1/10SR102J
 R 1914 (B,49,8) RS1/10SR102J
 R 1928 (A,126,12) RS1/10SR101J

R 1929 (A,118,15) RAB4C101J
 R 1930 (A,122,17) RS1/10SR101J

CAPACITORS

C 1808 (B,139,8) CKSRYB104K16
 C 1851 (A,79,27) CKSRYB104K16
 C 1861 (B,56,14) CKSQYB106K6R3
 C 1872 (A,106,17) CKSRYB105K16
 C 1873 (A,133,13) CKSRYB104K16

C 1874 (A,74,21) CKSRYB105K16
 C 1875 (B,63,12) CKSRYB103K50
 C 1921 (B,113,23) CKSRYB104K16
 C 1922 (B,116,28) CKSRYB104K16
 C 1924 (A,109,13) CKSQYB105K25

C 1925 (A,109,15) CKSQYB105K25
 C 1926 (A,113,14) CKSRYB105K16
 C 1927 (A,113,12) CKSRYB104K16

C

Unit Number : CWX3774
Unit Name : CD Core Unit(S11STD-DOUT)

MISCELLANEOUS

IC 201 (A,28,33) IC PE5706A
 IC 301 (A,64,27) IC BA5839FP
 Q 101 (B,8,56) Transistor 2SA1577
 Q 102 (B,21,51) Digital TR(PNP) UNR511MG
 X 201 (A,15,27) Ceramic Resonator 16.934 MHz CSS1603

S 901 (A,42,53) Switch CSN1067
 S 903 (B,21,12) Switch CSN1068
 S 905 (B,11,25) Switch CSN1068
 CN101 (A,16,58) Connector CKS4808
 CN701 (A,37,10) Connector CKS6146

RESISTORS

R 101 (B,6,59) RS1/10SR2R4J
 R 102 (B,7,59) RS1/10SR2R4J
 R 103 (B,8,59) RS1/10SR2R7J
 R 108 (B,19,53) RS1/16SS105J
 R 109 (B,11,52) RS1/16SS222J

R 214 (A,38,41) RS1/16SS103J
 R 215 (A,38,40) RS1/16SS393J
 R 216 (A,30,44) RS1/16SS122J
 R 217 (A,33,46) RS1/16SS562J
 R 218 (A,30,46) RS1/16SS472J

R 225 (A,33,23) RS1/16SS0R0J
 R 229 (A,31,44) RS1/16SS471J
 R 232 (A,19,21) RS1/16SS0R0J
 R 235 (A,45,32) RS1/16SS103J
 R 236 (A,46,32) RS1/16SS103J

R 237 (B,24,25) RS1/16SS221J
 R 240 (B,26,30) RS1/16SS473J
 R 245 (B,28,30) RS1/16SS104J
 R 253 (B,27,30) RS1/16SS104J
 R 254 (B,29,30) RS1/16SS104J

R 260 (B,41,21) RS1/16SS103J
 R 262 (A,44,32) RS1/16SS472J
 R 263 (A,47,32) RS1/16SS472J
 R 264 (A,44,25) RS1/16SS102J
 R 281 (A,31,22) RS1/16SS560J

R 282 (A,30,22) RS1/16SS560J
 R 283 (B,32,18) RS1/16SS0R0J
 R 291 (B,31,17) RS1/16SS560J
 R 292 (B,32,16) RS1/16SS0R0J
 R 293 (B,32,11) RS1/16SS0R0J

R 294 (A,18,28) RS1/16SS471J
 R 296 (B,32,30) RS1/16SS0R0J
 R 299 (B,31,13) RS1/16SS0R0J
 R 305 (A,60,34) RS1/16SS183J
 R 306 (A,61,37) RS1/16SS183J

R 307 (A,58,34) RS1/16SS183J
 R 308 (A,58,36) RS1/16SS183J
 R 701 (B,37,21) RS1/16SS101J
 R 702 (B,38,20) RS1/16SS101J
 R 706 (B,43,11) RS1/16SS221J

R 708 (A,40,22) RS1/16SS0R0J
 R 709 (A,40,21) RS1/16SS0R0J
 R 722 (B,37,22) RS1/16SS0R0J

CAPACITORS

C 104 (B,11,55) CKSQYB475K6R3
 C 203 (A,18,35) CKSSYB104K10
 C 209 (A,17,28) CKSRYB104K16
 C 210 (A,21,21) CKSSYB104K10
 C 211 (A,24,23) CKSSYB104K10

C 212 (A,38,33) CKSSYB104K10
 C 213 (A,40,41) CKSSYB332K50
 C 214 (A,40,40) CKSSYB473K10
 C 215 (A,38,37) CKSSYB104K10
 C 216 (A,36,46) CKSSYB182K50

C 217 (A,31,46) CCSSCH560J50
 C 218 (A,29,46) CCSSCH4R0C50

5		6		7		8	
<u>Circuit Symbol and No.</u>		<u>Part No.</u>		<u>Circuit Symbol and No.</u>		<u>Part No.</u>	
C 219	(A,32,43)	CKSSYB104K10	CKSSYB104K10	S 1882	(A,149,43) Push Switch	CSG1155	
C 220	(B,32,41)	CKSSYB104K10	CKSSYB104K10	CN1801	(B,108,10) Connector	CKS6049	
C 221	(A,35,43)	CKSSYB104K10	CKSSYB104K10	CN1802	(A,154,26) Connector	YKS5036	A
C 222	(A,29,43)	CKSSYB104K10	CKSSYB104K10	CN1921	(A,97,22) Connector	CKS6036	
C 223	(A,25,44)	CCSSCH680J50	CCSSCH680J50	JA1801	(A,153,10) Jack	YKN5006	
C 224	(A,23,44)	CCSSCH470J50	CCSSCH470J50		OEL Module	MXS4013	
C 225	(A,20,43)	CKSSYB103K16	CKSSYB103K16				
C 228	(A,32,46)	CCSSCH270J50	CCSSCH270J50				

C 229	(B,28,40)	CKSSYB104K10	CKSSYB104K10
C 231	(B,44,28)	CKSSYB102K50	CKSSYB102K50
C 232	(B,45,28)	CKSSYB102K50	CKSSYB102K50
C 233	(B,25,25)	CKSSYB103K16	CKSSYB103K16
C 236	(B,26,41)	CKSSYB104K10	CKSSYB104K10
C 238	(A,15,35)	CKSRYB104K16	CKSRYB104K16
C 299	(A,17,33)	CKSSYB104K10	CKSSYB104K10
C 304	(A,60,35)	CKSSYB472K25	CKSSYB472K25
C 305	(A,58,35)	CKSSYB223K16	CKSSYB223K16
C 306	(A,68,20)	CKSRYB105K10	CKSRYB105K10
C 710	(B,43,10)	CKSSYB102K50	CKSSYB102K50

RESISTORS

R 1804	(B,88,12)	RS1/10SR222J	
R 1805	(B,90,17)	RS1/10SR222J	
R 1811	(B,68,16)	RS1/10SR102J	
R 1812	(B,47,13)	RS1/10SR102J	
R 1813	(B,49,14)	RS1/10SR103J	
R 1814	(B,61,12)	RS1/10SR122J	B
R 1815	(B,59,26)	RS1/10SR182J	
R 1816	(B,48,29)	RS1/10SR332J	
R 1817	(B,48,27)	RS1/10SR822J	
R 1818	(B,42,28)	RS1/10SR103J	
R 1831	(B,150,38)	RS1/4SA271J	
R 1835	(B,13,24)	RS1/4SA331J	
R 1837	(B,15,10)	RS1/4SA331J	
R 1838	(B,67,9)	RS1/4SA331J	
R 1839	(B,120,23)	RS1/4SA331J	
R 1840	(B,31,26)	RS1/4SA471J	
R 1859	(B,43,8)	RS1/10SR0R0J	C
R 1871	(A,6,8)	RS1/10SR103J	
R 1872	(A,15,7)	RS1/10SR122J	
R 1873	(A,30,8)	RS1/10SR182J	
R 1874	(A,39,8)	RS1/10SR332J	
R 1875	(A,81,10)	RS1/10SR822J	
R 1876	(A,119,22)	RS1/10SR333J	
R 1877	(A,17,34)	RS1/10SR103J	
R 1878	(A,26,33)	RS1/10SR122J	
R 1879	(A,38,32)	RS1/10SR182J	
R 1880	(A,118,27)	RS1/10SR332J	
R 1881	(A,122,19)	RS1/10SR822J	D
R 1882	(A,125,19)	RS1/10SR333J	
R 1891	(B,131,25)	RS1/10SR121J	
R 1893	(B,140,18)	RS1/10SR2R2J	
R 1901	(B,75,28)	RS1/10SR473J	
R 1902	(B,94,32)	RS1/10SR154J	
R 1903	(B,81,31)	RS1/10SR473J	
R 1904	(B,98,20)	RS1/10SR473J	
R 1905	(B,99,21)	RS1/10SR473J	
R 1906	(A,109,28)	RS1/10SR473J	
R 1907	(A,110,30)	RS1/10SR473J	
R 1908	(B,86,16)	RS1/10SR103J	E
R 1909	(B,71,21)	RS1/10SR102J	
R 1910	(B,75,24)	RS1/10SR473J	
R 1922	(A,89,21)	RS1/10SR5102D	
R 1924	(A,107,25)	RAB4C101J	
R 1925	(B,95,23)	RAB4C101J	
R 1941	(B,155,38)	RS1/4SA561J	
R 1942	(B,15,24)	RS1/10SR151J	
R 1943	(B,13,20)	RS1/10SR151J	
R 1944	(B,70,9)	RS1/10SR151J	
R 1945	(B,122,22)	RS1/10SR151J	F
R 1946	(B,31,30)	RS1/10SR221J	

D
Unit Number : (P5200HD)
Unit Name : Keyboard Unit

MISCELLANEOUS

IC 1891	(A,144,18) Remote IC	GP1UXC14RK	GP1UXC14RK
IC 1901	(B,87,23) IC	PEG642A8	PEG642A8
D 1804	(B,87,14) Diode	DAN202U	DAN202U
D 1805	(B,91,15) Diode	DAP202U	DAP202U
D 1831	(A,152,40) LED	CL-195SR-CD	CL-195SR-CD
D 1833	(A,7,30) LED	CL-195SR-CD	CL-195SR-CD
D 1834	(A,18,29) LED	CL-195SR-CD	CL-195SR-CD
D 1835	(A,30,28) LED	CL-195SR-CD	CL-195SR-CD
D 1836	(A,8,13) LED	CL-195SR-CD	CL-195SR-CD
D 1837	(A,19,13) LED	CL-195SR-CD	CL-195SR-CD
D 1838	(A,30,13) LED	CL-195SR-CD	CL-195SR-CD
D 1839	(A,77,8) LED	CL-195SR-CD	CL-195SR-CD
D 1840	(A,87,8) LED	CL-195SR-CD	CL-195SR-CD
D 1841	(A,101,8) LED	CL-195SR-CD	CL-195SR-CD
D 1842	(A,111,8) LED	CL-195SR-CD	CL-195SR-CD
D 1843	(A,125,8) LED	CL-195SR-CD	CL-195SR-CD
D 1844	(A,135,8) LED	CL-195SR-CD	CL-195SR-CD
D 1845	(A,43,24) LED	CL-195SR-CD	CL-195SR-CD
D 1846	(A,64,28) LED	CL-195SR-CD	CL-195SR-CD
D 1901	(B,97,32) Diode	1SS355	1SS355
X 1901	(B,87,30) Radiator 10.0 MHz	CSS1577	CSS1577
S 1801	(A,5,36) Push Switch	CSG1155	CSG1155
S 1811	(A,55,20) Switch	CSX1120	CSX1120
S 1871	(A,11,7) Push Switch	CSG1155	CSG1155
S 1872	(A,22,7) Push Switch	CSG1155	CSG1155
S 1873	(A,34,7) Push Switch	CSG1155	CSG1155
S 1874	(A,72,8) Push Switch	CSG1155	CSG1155
S 1875	(A,91,8) Push Switch	CSG1155	CSG1155
S 1876	(A,139,8) Push Switch	CSG1155	CSG1155
S 1877	(A,21,34) Push Switch	CSG1155	CSG1155
S 1878	(A,33,33) Push Switch	CSG1155	CSG1155
S 1879	(A,95,8) Push Switch	CSG1155	CSG1155
S 1880	(A,115,8) Push Switch	CSG1155	CSG1155
S 1881	(A,120,8) Push Switch	CSG1155	CSG1155

CAPACITORS

1
Circuit Symbol and No.

2
Part No.

3

4

A	C 1801	(B,146,32)	CKSRYB104K16
	C 1808	(B,135,8)	CKSRYB104K16
	C 1891	(B,138,21)	CKSYF106Z10
	C 1901	(B,99,29)	CKSRYB104K16
	C 1902	(B,82,24)	CKSRYB103K50
	C 1921	(A,89,25)	CKSRYB104K16
	C 1922	(A,89,24)	CKSRYB104K16
	C 1923	(B,99,23)	CKSRYB104K16

Miscellaneous Parts List

	Pickup Unit(S10.5)(Service)	CXX1942
M 1	Motor Unit(SPINDLE)	CXE2273
M 2	Motor Unit(LOADING/CARRIAGE)	CXC4026

C

D

E

F

1

2

3

4