

9. EXPLODED VIEWS AND PARTS LIST

NOTES: ● Parts marked by "NSP" are generally unavailable because they are not in our Master Spare Parts List.

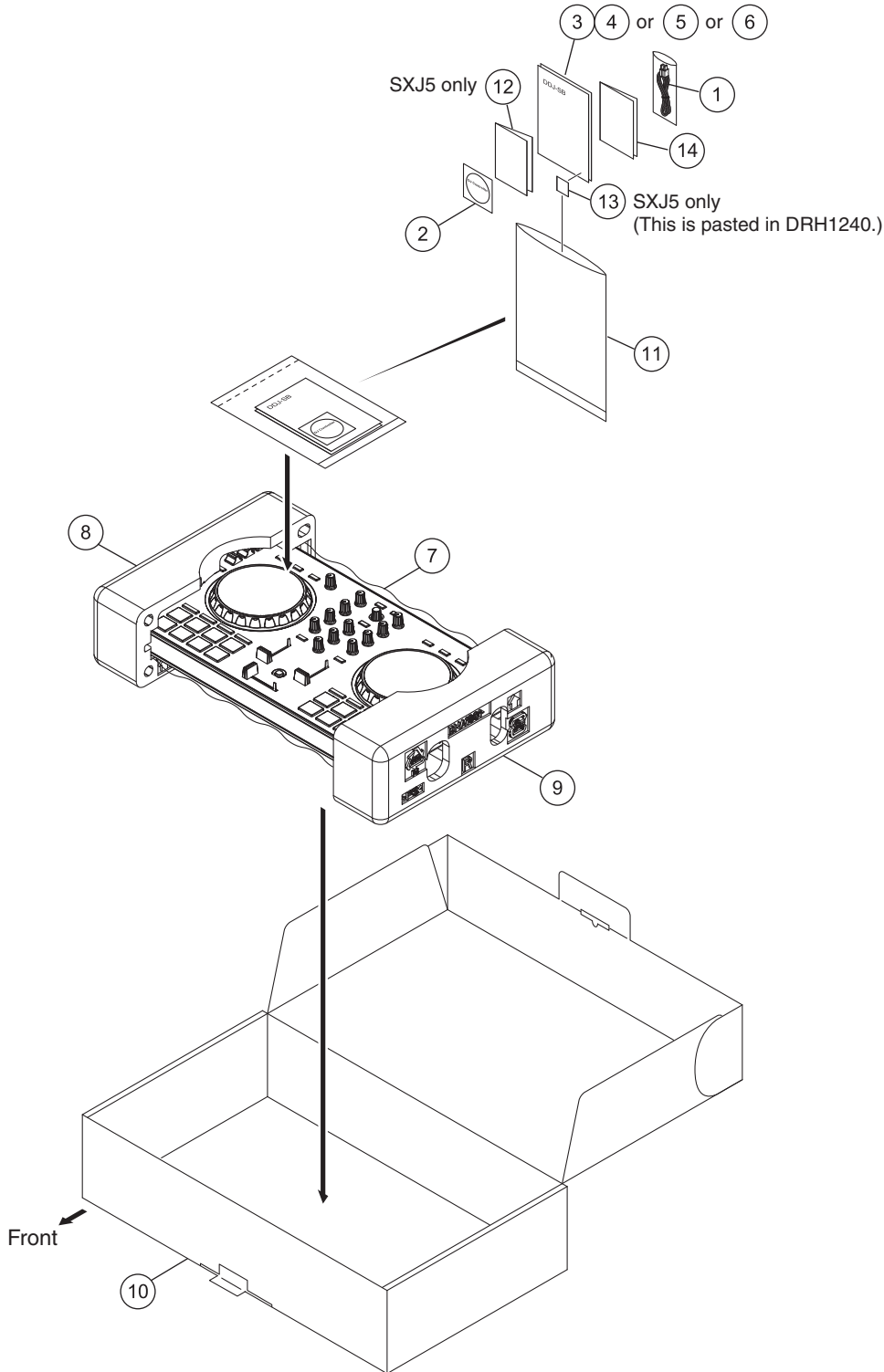
● The \triangle mark found on some component parts indicates the importance of the safety factor of the part. Therefore, when replacing, be sure to use parts of identical designation.

● Screws adjacent to ∇ mark on product are used for disassembly.

● For the applying amount of lubricants or glue, follow the instructions in this manual.

(In the case of no amount instructions, apply as you think it appropriate.)

9.1 PACKING SECTION



(1) PACKING SECTION PARTS LIST

<u>Mark No.</u>	<u>Description</u>	<u>Part No.</u>	<u>Mark No.</u>	<u>Description</u>	<u>Part No.</u>
1	USB Cable	DDE1128	8	Pad/L	DHA1900
2	CD-ROM (Installation Disc)	DXX2742	9	Pad/R	DHA1901
3	Read Before Use (Important) /Quick Start Guide	See Contrast table (2)	10	Packing Case	See Contrast table (2)
4	Read Before Use (Important) /Quick Start Guide	See Contrast table (2)	NSP 11	Polyethylene Bag	AHG7117
5	Read Before Use (Important) /Quick Start Guide	See Contrast table (2)	NSP 12	Warranty	See Contrast table (2)
6	Read Before Use (Important) /Quick Start Guide	See Contrast table (2)	13	Label/IM1	See Contrast table (2)
7	Packing Sheet	AHG7053	NSP 14	Label/K	See Contrast table (2)

(2) CONTRAST TABLE

DDJ-SB/SXJ5, KXJ5 and XJCN5 are constructed the same except for the following:

Mark	No.	Symbol and Description	DDJ-SB /SXJ5	DDJ-SB /KXJ5	DDJ-SB /XJCN5
	3	Read Before Use (Important)/Quick Start Guide (En, Fr, De, It, NI)	DRH1239	Not used	Not used
	4	Read Before Use (Important)/Quick Start Guide (Es, Po, Ru, Ja)	DRH1240	Not used	Not used
	5	Read Before Use (Important)/Quick Start Guide (Ko)	Not used	DRH1242	Not used
	6	Read Before Use (Important)/Quick Start Guide (Zhcn)	Not used	Not used	DRH1241
	10	Packing Case	DHG3289	DHG3300	DHG3299
NSP	12	Warranty	ARY7158	Not used	Not used
	13	Label/IM1	DRW2534	Not used	Not used
NSP	14	Label/K	Not used	DRW2600	Not used

9.2 EXTERIOR SECTION

1

2

3

4

A

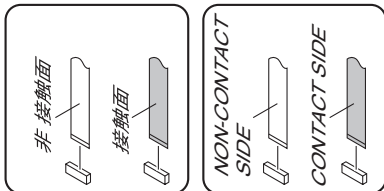
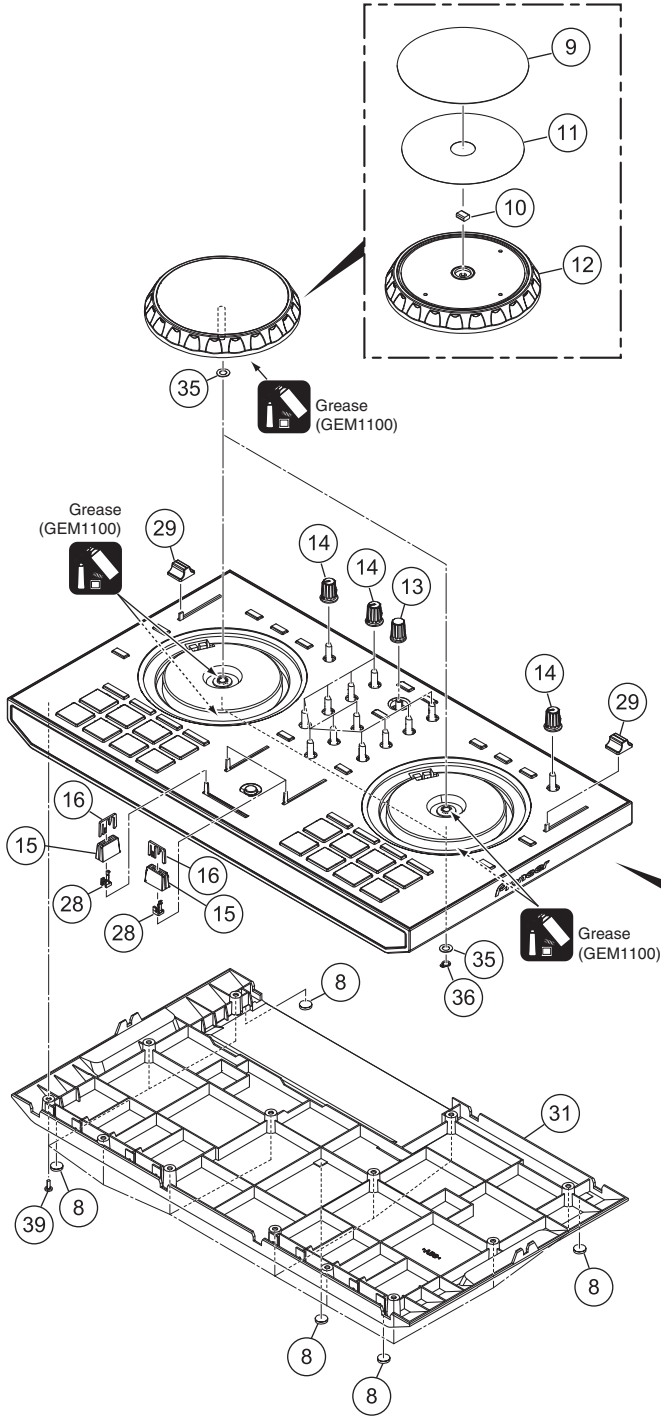
B

C

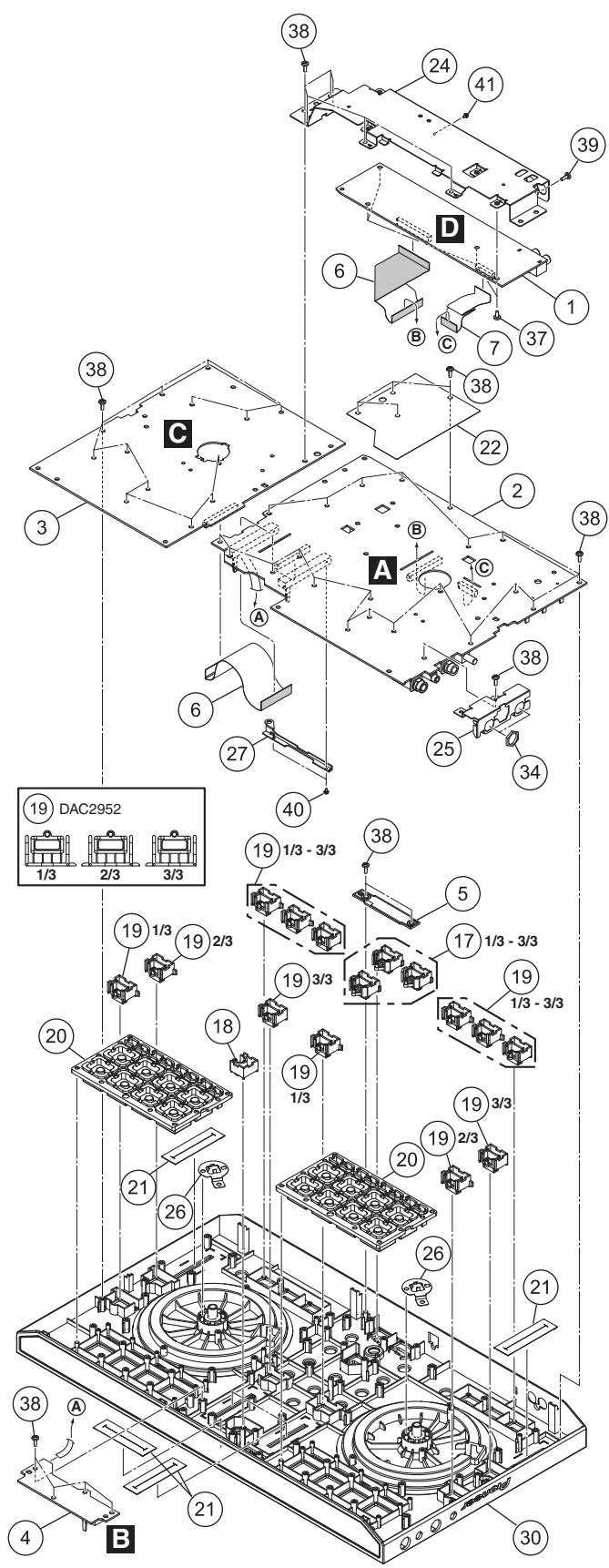
D

E

F



• Bottom view



1

2

3

4

EXTERIOR SECTION PARTS LIST

<u>Mark No.</u>	<u>Description</u>	<u>Part No.</u>	
1	IFPW Assy	DWX3569	
2	PNL1 Assy	DWX3570	A
3	PNL2 Assy	DWX3571	
4	CRFD Assy	DWX3573	
5	HOLD Assy	DWX3575	
6	FFC	ADD7796	
7	FFC/19P	DDD1671	
8	Leg/RBR	AEB1511	
9	Plate/JOG	DAH2981	
10	Gasket/JOG	DEC3539	
11	DS Tape/JOG	DEH1042	B
12	Jog Dial	DNK6277	
13	Dial Knob S (B)	DAA1273	
14	Knob/PLS	DAA1324	
15	Slider Knob 1	DAC2684	
16	Slider Knob 2	DAC2685	
17	Button/BLK	DAC2950	
18	Button/MIX	DAC2951	
19	Button/OPL	DAC2952	
20	Button/PAD	DEB2009	C
21	Fader Packing	DEC3355	
22	Sheet/PNL	DEC3543	
23	•••••		
24	Stay/PCB	DNH3135	
25	Stay/FRT	DNH3136	
26	Plate/CND	DNH3137	
27	Plate/CHF	DNH3146	
28	Stopper/SLD	DNK6009	
29	Knob/SLD	DNK6283	D
30	Control Panel	DNK6280	
31	Chassis	DNK6282	
32	•••••		
33	•••••		
34	Nut (M12)	NKX2FNI	
35	Washer	WA62D095D050	
36	Washer	YC60FAC	
37	Screw	BBZ30P060FTC	
38	Screw	BPZ30P080FNI	E
39	Screw	BPZ30P100FTB	
40	Screw (M3*5)	DBA1340	
41	Screw	PMH20P040FTC	

12. PCB PARTS LIST

NOTES: ● Parts marked by "NSP" are generally unavailable because they are not in our Master Spare Parts List.

● The Δ mark found on some component parts indicates the importance of the safety factor of the part. Therefore, when replacing, be sure to use parts of identical designation.

● When ordering resistors, first convert resistance values into code form as shown in the following examples.

Ex.1 When there are 2 effective digits (any digit apart from 0), such as 560 ohm and 47 k ohm (tolerance is shown by J = 5%, and K = 10%).

560 Ω \rightarrow 56 $\times 10^1$ \rightarrow 561 RD1/APU $\boxed{5}$ $\boxed{6}$ $\boxed{7}$ J
47 k Ω \rightarrow 47 $\times 10^3$ \rightarrow 473 RD1/APU $\boxed{4}$ $\boxed{7}$ $\boxed{3}$ J
0.5 Ω \rightarrow R50 RN2H \boxed{R} $\boxed{5}$ $\boxed{0}$ K
1 Ω \rightarrow 1R0 RSIP $\boxed{1}$ \boxed{R} $\boxed{0}$ K

Ex.2 When there are 3 effective digits (such as in high precision metal film resistors).

5.62 k Ω \rightarrow 562 $\times 10^1$ \rightarrow 5621 RN1/4PC $\boxed{5}$ $\boxed{6}$ $\boxed{2}$ $\boxed{1}$ F

Mark No. Description Part No. Mark No. Description Part No.

LIST OF ASSEMBLIES

1..PNL1 ASSY	DWX3570	JA 1601 6.5 DIA JACK	DKN1653
NSP 1..PNL2 ASSY	DWM2526	JA 1602 STEREO MINI JACK	XKN3017
2..PNL2 ASSY	DWX3571	JA 1701 6.5 DIA JACK	DKN1652
2..GRFD ASSY	DWX3573	KN 1201,1501 EARTH TERMINAL	AKF7002
2..HOLD ASSY	DWX3575	S 1209-1212,1243,1244 TACT SWITCH	DSG1089
1..IFPW ASSY	DWX3569	S 1232 ENCODER	DSX1082
		S 1245,1251,1258-1261 TACT SWITCH	DSG1079
		S 1246,1256,1257 TACT SWITCH	DSG1089
		S 1252,1253,1265-1268 TACT SWITCH	DSG1117
		S 1271,1272 TACT SWITCH	DSG1117

Mark No. Description Part No.

A PNL1 ASSY

SEMICONDUCTORS	
IC 1001	S-80927CNMC-G8X
IC 1002	DYW1841
IC 1501	DYW1842
IC 1701,1702	NJM4565MD
Q 1202-1207,1409-1414	LTC124EUB

Q 1401,1403,1405,1407	RN4982
Q 1402,1404,1406,1408	LSC4081UB
Q 1415-1420	LSAR523UB
Q 1551,1552	2SC4154-11
Q 1601,1602	INC2002AC1

D 1208-1210,1226-1229	DA2J101
D 1251,1253,1281,1282	DA2J101
D 1289-1291,1293,1295	DA2J101
D 1346,1347	DA2J101
D 1401,1402,1404-1406	SLI-343U8R(HJK)

D 1403,1407,1433,1435	SLI-343M8G(GHJ)
D 1408-1410,1412-1414	SLI-343U8R(HJK)
D 1411,1415,1419,1423	SLI-343Y8Y(KLM)
D 1416-1418,1420-1422	SLI-343U8R(HJK)
D 1424-1426,1428,1429	SLI-343U8R(HJK)

D 1427,1430	SLI-343Y8Y(KLM)
D 1431	SLI-343U8R(HJK)
D 1432	SLR343BC4T(JKLM)
D 1502	RB501VM-40

MISCELLANEOUS

L 1001-1003,1201-1208 INDUCTOR	CTF1629
L 1004 RAD SPL INDUCTOR	DTH1212
L 1501,1502,1505 INDUCTOR	CTF1379
L 1701-1705 INDUCTOR	CTF1629
J 1 JUMPER WIRE	D20PDY0405E

RESISTORS

VR 1201,1202 POTENTIOMETER	DCS1097
VR 1203,1211,1213 POTENTIOMETER	DCS1096
VR 1204 SLIDE VR	DCV1034
VR 1205,1206 VARIABLE RESISTOR	DCV1024
VR 1208-1210,1212 POTENTIOMETER	DCS1097
VR 1214,1215,1217 POTENTIOMETER	DCS1097
VR 1701 POTENTIOMETER	DCS1111
R 1069,1514,1614,1615	RS1/4SA0R0J
R 1266,1267,1701	RS1/10SR2201D
R 1501,1502	DCN1187
R 1503	RS1/10SR2202D
R 1618	RS1/4SA0R0J
R 1703,1706	RS1/10SR1002D
R 1705	RS1/10SR1201D
R 1708	RS1/10SR1001D
R 1709	RS1/10SR1802D
R 1744	RS1/10SR4701D
R 1745	RS1/10SR1502D
Other Resistors	RS1/10SR###J

CAPACITORS

C 1001,1005-1007,1029	CKSRYB104K16
C 1002	CKSRYB222K50
C 1003,1004	CCSRCH150J50
C 1008,1022,1023,1504	DCH1201
C 1009-1021,1024-1028	CKSRYB103K50

Mark	No.	Description	Part No.
C	1035-1037,1045-1056		CKSRYB103K50
C	1038,1601,1602,1708		CEJQ101M16
C	1039-1042		CCSRCH101J50
C	1205,1215,1223,1232		CKSRYB103K50
C	1207-1210		CKSRYB105K10
C	1213,1503,1551,1701		CKSRYB104K16
C	1240,1609		CKSRYB103K50
C	1502		CCSRCH221J50
C	1603,1604		CEAT471M6R3
C	1605-1608		CKSRYB473K50
C	1702		CCSRCH102J50
C	1704		CCSRCH561J50
C	1705		CCSRCH471J50
C	1706		ACG1147
C	1707,1722		CCSRCH331J50
C	1711,1720,1721		CEJQ101M16
C	1713		CEJQ100M16
C	1714,1715,1725,1726		CKSRYB104K16
C	1728		CEAL100M16

B CRFD ASSY

MISCELLANEOUS

CN 2601 4PJUMPER CONNECTOR
VA 2601-2603 VARISTORS

52151-0410
EZJZ1V270RM

RESISTORS

VR 2601 VARIABLE RESISTOR
Other Resistors

DCV1023
RS1/10SR###J

CAPACITORS

C 2601

CKSRYB104K16

C PNL2 ASSY

SEMICONDUCTORS

IC 2201
Q 2002-2004,2058-2062
Q 2050,2052,2054,2056
Q 2051,2053,2055,2057
Q 2063-2067

DYW1842
LTC124EUB
RN4982
LSC4081UB
LSAR523UB

Q 2251,2252
D 2001,2004,2005,2008
D 2009,2011-2014,2016
D 2017
D 2050,2051,2053,2054

2SC4154-11
DA2J101
DA2J101
DA2J101
SLI-343U8R(HJK)

D 2052,2055,2079,2080
D 2056,2057,2059-2061
D 2058,2062,2065,2070
D 2063,2064,2066-2069
D 2071,2072,2074-2077

SLI-343M8G(GHJ)
SLI-343U8R(HJK)
SLI-343Y8Y(KLM)
SLI-343U8R(HJK)
SLI-343U8R(HJK)

D 2073,2078
D 2202

SLI-343Y8Y(KLM)
RB501VM-40

MISCELLANEOUS

L 2150-2153 INDUCTOR
L 2201,2202,2205 INDUCTOR
KN 2201 EARTH TERMINAL
S 2001,2004,2008,2011 TACT SWITCH
S 2005,2009,2014 TACT SWITCH

CTF1629
CTF1379
AKF7002
DSG1089
DSG1079

S 2012,2017-2023 TACT SWITCH

DSG1117

Mark	No.	Description	Part No.
S	2013,2016	TACT SWITCH	DSG1089
CN	2201	39P CONNECTOR	VKN2097
PC	2251,2252	PHOTO INTERRUPTER	RPI-579N1
VA	2150-2156	VARISTORS	EZJZ1V270RM
VA	2203,2204	SMD VARISTOR	EZJZ1V80010

RESISTORS

VR 2150 POTENTIOMETER
VR 2151 SLIDE VR
R 2151,2152
R 2153
R 2203,2204

DCS1096
DCV1034
RS1/10SR2201D
RS1/4SA0R0J
DCN1187

R 2205
Other Resistors

RS1/10SR2202D
RS1/10SR###J

CAPACITORS

C 2151
C 2152-2154,2156
C 2155,2204,2252
C 2201
C 2203

CKSRYB103K50
CKSRYB105K10
CKSRYB104K16
CEJQ101M16
CCSRCH221J50

C 2205

DCH1201

D IFPW ASSY

SEMICONDUCTORS

IC 201
IC 202
⚠ IC 301,305
⚠ IC 302
⚠ IC 303,304

TUSB3200ACPAH
BR24T64F-W
MM3411A33N
NJM2392M
NJM2878F3-05

IC 401
IC 501,701
IC 502,503
IC 702
Q 301,303,305,408

S-80942CNMC-G9C
AK4387ET
NJM4580MD
BH3547F
LTC124EUB

Q 302
Q 304,306,409,503
Q 401-404,406,410
Q 407
Q 501

RTQ040P02
LSC4081UB
LSA1576UB
HN1B04FU
LTA124EUB

Q 502
Q 504
Q 505-507
D 303-305,307-310
D 306

LTC124EUB
LSA1576UB
IMX9
RB551VM-30
DA2J101

D 501

DAN202UM

MISCELLANEOUS

L 101 COIL
L 201-203 INDUCTOR
L 204 INDUCTOR
L 302 POWER INDUCTOR
JA 101 USB CONNECTOR

ATH7015
CTF1629
CTF1793
ATH7053
DKN1237

JA 501 PIN JACK (2P)
X 201 CRYSTAL RESONATOR (6 MHz)
CN 101 19P CONNECTOR
CN 102 39P CONNECTOR
⚠ P 101 PROTECTOR (1.250 A)

AKB7181
VSS1210
VKN1250
VKN2097
DEK1123

VA 501 VARISTORS

EZJZ1V270RM

Mark	No.	Description	Part No.
------	-----	-------------	----------

RESISTORS

A	R 204		RS1/10SR2701F
	R 207		RS1/10SR3900F
	R 304,306		RS1/4SA1R5J
	R 308		RS1/4SA271J
	R 311		RS1/10SR1802F
■	R 312		RS1/10SR3901D
	R 327-330		RS1/4SA270J
	R 331-334		RS1/4SA560J
	R 337		RS1/4SA220J
	R 338,543,544		RS1/4SA0R0J
B	R 420,451,452,506		RS1/8SQ0R0J
	R 512,513		RS1/10SR4301D
	R 515,519		RS1/10SR2700D
	R 412,413,516,533		RS1/10SR1002D
	R 517,534		RS1/10SR3301D
	R 524,532		RS1/8SQ0R0J
	Other Resistors		RS1/10SR###J

CAPACITORS

C	C 104,203,312,707		DCH1201
	C 106,307,311		CKSRYB105K10
	C 108,109,111,112		CCSRCH102J50
	C 204,207,210,215		CKSRYB104K16
	C 206,514,530		CCSRCH101J50
■	C 208,209		CCSRCH470J50
	C 211,214,224-227		CCSRCH102J50
	C 212,213		CCSRCH180J50
	C 218,219,221,304		CKSRYB104K16
	C 301,316		CKSRYB474K16
■	C 302,504,702,706		CEVW470M6R3
	C 305		CCSRCH121J50
	C 308		CEVW471M10
	C 309,314,315,317		CKSRYB104K16
	C 310		CCSRCH221J50
D	C 313,502,503,506		CKSRYB103K50
	C 319-321,517,518		CKSRYB105K10
	C 322-325		CEVW221M10
	C 401,403-405		CKSRYB104K16
	C 406		CKSRYB222K50
■	C 408-411,505,508		CKSRYB104K16
	C 501		CEVW331M6R3
	C 507,542		CCSRCH102J50
	C 509-511,520,521		CEVW101M16
	C 513,529		CCSRCH471J50
E	C 516,519,533,536		CCH1565
	C 526,541,701,709		CKSRYB103K50
	C 534,535,543		CKSRYB105K10
	C 537,538		CEVW101M16
	C 544,546		CCSRCH152J50
■	C 703,705		CKSRYB104K16
	C 708,713		DCH1201
	C 710		CKSRYB103K50
	C 711		CKSQYB475K6R3
	C 714		CEVW470M6R3

F