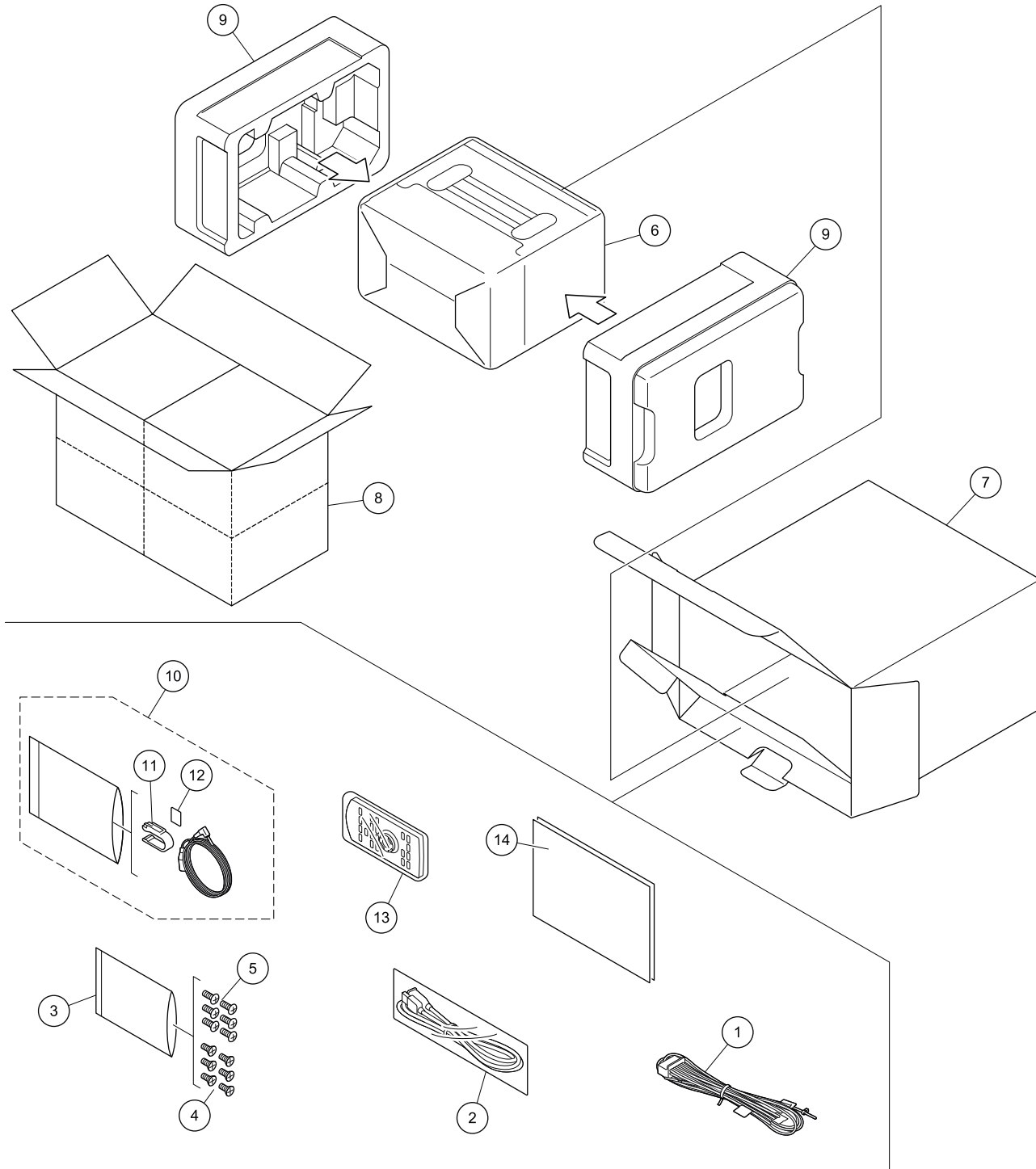


# 9. EXPLODED VIEWS AND PARTS LIST

- NOTES :
- Parts marked by "\*" are generally unavailable because they are not in our Master Spare Parts List.
  - The ⚠ mark found on some component parts indicates the importance of the safety factor of the part. Therefore, when replacing, be sure to use parts of identical designation.
  - Screw adjacent to ▽ mark on the product are used for disassembly.
  - For the applying amount of lubricants or glue, follow the instructions in this manual.  
(In the case of no amount instructions, apply as you think it appropriate.)

## 9.1 PACKING



**(1) PACKING SECTION PARTS LIST**

| <u>Mark No.</u> | <u>Description</u> | <u>Part No.</u>        | <u>Mark No.</u> | <u>Description</u>       | <u>Part No.</u> |
|-----------------|--------------------|------------------------|-----------------|--------------------------|-----------------|
| 1               | Cord Assy          | CDP1665                | 10              | Microphone Assy          | CPM1083         |
| 2               | USB Extended Cable | CDP1587                |                 |                          |                 |
| 3               | Polyethylene Bag   | CEG1160                | 11              | Holder                   | CZN7192         |
| 4               | Screw              | CRZ50P090FTC           | 12              | Cushion                  | CZN7193         |
| 5               | Screw              | TRZ50P080FTC           | 13              | Card Remote Control Unit | CXE5116         |
|                 |                    |                        | 14-1            | Owner's Manual           | CRD4822         |
| 6               | Cover              | CEG1359                | * 14-2          | Warranty Card            | QRY3001         |
| 7               | Unit Box           | See Contrast table (2) |                 |                          |                 |
| 8               | Contain Box        | See Contrast table (2) | * 14-3          | Caution Card             | CRP1502         |
| 9               | Protector          | CHP4598                |                 |                          |                 |

**(2) CONTRAST TABLE**

AVH-X5700BHS/XNUC and AVH-X4700BS/XNUC are constructed the same except for the following:

| Mark | No. | Description | AVH-X5700BHS/XNUC | AVH-X4700BS/XNUC |
|------|-----|-------------|-------------------|------------------|
|      | 7   | Unit Box    | CHG8720           | CHG8726          |
|      | 8   | Contain Box | CHL8720           | CHL8726          |

**Owner's Manual, Installation Manual**

| Part No. | Language                          |
|----------|-----------------------------------|
| CRD4822  | English, French, Spanish(Espanol) |



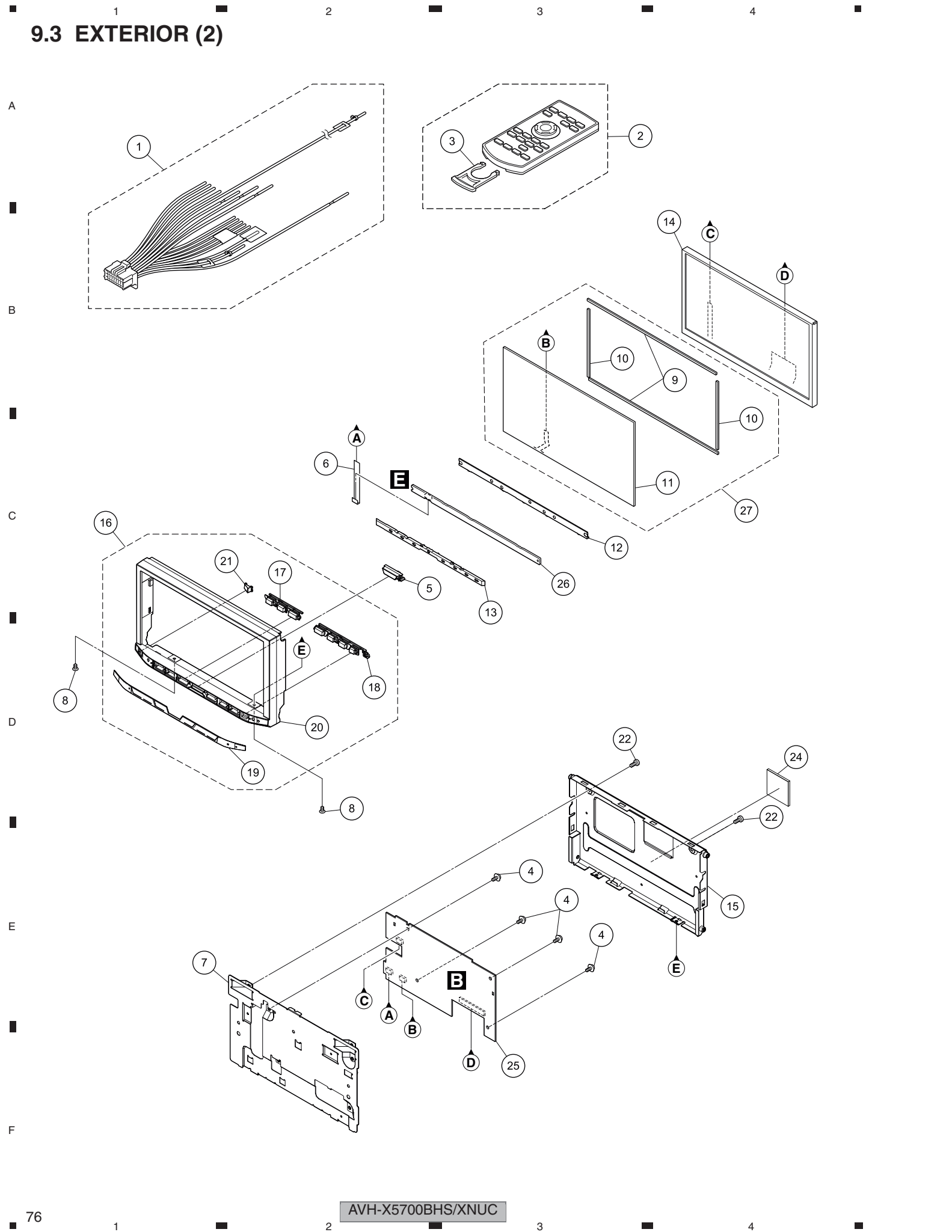
| <u>Mark No.</u> | <u>Description</u> | <u>Part No.</u> | <u>Mark No.</u> | <u>Description</u>           | <u>Part No.</u>        |
|-----------------|--------------------|-----------------|-----------------|------------------------------|------------------------|
| 1               | Screw              | BSZ26P060FTC    | 8               | Collar                       | CNW2038                |
| 2               | Screw              | BSZ26P120FTC    | 9               | Panel                        | See Contrast table (2) |
| 3               | Screw              | CBA1735         | 10              | Cover                        | CNN4866                |
| 4               | Screw              | ISS26P055FTC    |                 |                              |                        |
| 5               | Holder             | CND7211         | 11              | DVD Mechanism Module (LS2.5) | CXK8100                |
|                 |                    |                 | 12              | Label                        | CNN3533                |
| 6               | Holder             | CND7212         | 13              | FFC                          | CDD1069                |
| 7               | Heat Sink          | CNR2170         | 14              | FFC                          | CDD1072                |

**(2) CONTRAST TABLE**

AVH-X5700BHS/XNUC and AVH-X4700BS/XNUC are constructed the same except for the following:

| Mark | No. | Description | AVH-X5700BHS/XNUC | AVH-X4700BS/XNUC |
|------|-----|-------------|-------------------|------------------|
|      | 9   | Panel       | CNU2913           | CNU2914          |

# 9.3 EXTERIOR (2)



**(1) EXTERIOR (2) SECTION PARTS LIST**

| <u>Mark No.</u> | <u>Description</u>       | <u>Part No.</u> | <u>Mark No.</u> | <u>Description</u>      | <u>Part No.</u>        |
|-----------------|--------------------------|-----------------|-----------------|-------------------------|------------------------|
| 1               | Cord Assy                | CDP1665         | 15              | Case Unit               | CXE7602                |
| 2               | Card Remote Control Unit | CXE5116         | 16              | Grille Assy             | See Contrast table (2) |
| 3               | Battery Cover            | CNU1624         | 17              | Button                  | CAI4319                |
| 4               | Screw                    | ASZ26P050FTC    | 18              | Button                  | CAI4320                |
| 5               | Button (HOME)            | CAI4318         | 19              | Plate                   | See Contrast table (2) |
| 6               | FFC                      | CDD1038         | 20              | Grille                  | CNU2894                |
| 7               | Holder                   | CND7197         | 21              | Lighting Conductor      | CNW3103                |
| 8               | Screw (M2 x 3)           | CBA1877         | 22              | Screw                   | BSZ26P060FTC           |
| 9               | Cushion                  | CNN4271         | 23              | •••••                   |                        |
| 10              | Cushion                  | CNN4272         | 24              | Cushion                 | CNN5006                |
| 11              | Touch Panel              | CSX1194         | 25              | Service Unit (Monitor)  | CXX7234                |
| 12              | Holder                   | CNW3104         | 26              | Service Unit (Keyboard) | CXX7236                |
| 13              | Lighting Conductor       | CNW3102         | 27              | Touch Panel Unit        | CXE7268                |
| 14              | TFT LCD                  | CWX4182         |                 |                         |                        |

**(2) CONTRAST TABLE**

AVH-X5700BHS/XNUC and AVH-X4700BS/XNUC are constructed the same except for the following:

| Mark | No. | Description  | AVH-X5700BHS/XNUC | AVH-X4700BS/XNUC |
|------|-----|--------------|-------------------|------------------|
|      | 16  | Grille Assy  | CXE7675           | CXE7676          |
|      | 19  | Plate        | CNN4839           | CNN4840          |
|      | 23  | Service Unit | CXX7197           | CXX7198          |

# 9.4 EXTERIOR (3)

A

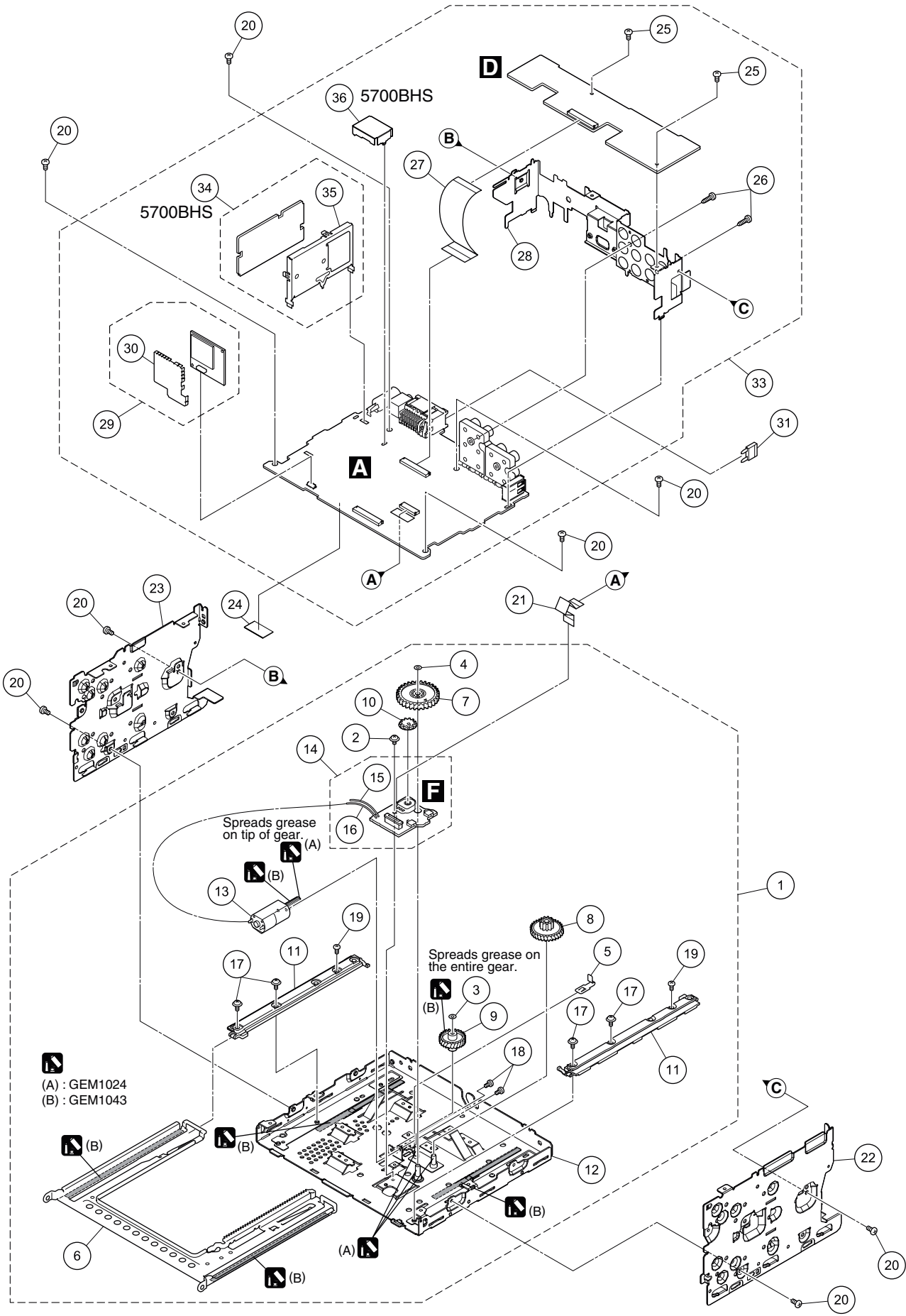
B

C

D

E

F



(A) : GEM1024  
(B) : GEM1043

AVH-X5700BHS/XNUC

**(1) EXTERIOR (3) SECTION PARTS LIST**

| <u>Mark No.</u> | <u>Description</u>    | <u>Part No.</u> | <u>Mark No.</u> | <u>Description</u>           | <u>Part No.</u>        |
|-----------------|-----------------------|-----------------|-----------------|------------------------------|------------------------|
| 1               | Drive Mechanism Unit  | CXE7000         | 20              | Screw                        | BSZ26P060FTC           |
| 2               | Screw                 | AMZ26P030FTC    |                 |                              |                        |
| 3               | Washer                | CBF1039         | 21              | FFC                          | CDD1034                |
| 4               | Washer                | CBF1064         | 22              | Bracket                      | CND6985                |
| 5               | Spring                | EBL1034         | 23              | Bracket                      | CND6986                |
|                 |                       |                 | 24              | Sheet                        | CNN5066                |
| 6               | Frame                 | ENC2001         | 25              | Screw                        | BSZ26P060FTC           |
| 7               | Gear                  | ENV1630         |                 |                              |                        |
| 8               | Gear                  | ENV1631         | 26              | Screw                        | BPZ26P080FTC           |
| 9               | Gear                  | ENV1632         | 27              | FFC                          | CDE9766                |
| 10              | Gear                  | ENV1635         | 28              | Holder                       | See Contrast table (2) |
|                 |                       |                 | 29              | BT Module                    | YWX5055                |
| 11              | Guide                 | ENV3001         | 30              | Shield Case                  | YNC5123                |
| *               | 12 Chassis Unit       | EXA4027         |                 |                              |                        |
|                 | 13 Motor Unit         | EXA4003         | ⚠               | 31 Fuse (10 A)               | YEK5001                |
|                 | 14 PCB Unit (Service) | EXX2001         |                 | 32 .....                     |                        |
| *               | 15 Cord (Green)       | CDC1056         |                 | 33 Service Unit (Mother I/F) | See Contrast table (2) |
|                 |                       |                 |                 | 34 BE Core Unit (U2101)      | See Contrast table (2) |
| *               | 16 Cord (White)       | CDC1057         |                 | 35 Holder                    | See Contrast table (2) |
|                 | 17 Screw              | IMS26P060FTC    |                 |                              |                        |
|                 | 18 Screw              | JFZ20P025FTC    | 36              | Shield Case                  | See Contrast table (2) |
|                 | 19 Screw              | EBA2002         |                 |                              |                        |

**(2) CONTRAST TABLE**

AVH-X5700BHS/XNUC and AVH-X4700BS/XNUC are constructed the same except for the following:

| Mark | No. | Description               | AVH-X5700BHS/XNUC | AVH-X4700BS/XNUC |
|------|-----|---------------------------|-------------------|------------------|
|      | 28  | Holder                    | CND7208           | CND7203          |
|      | 33  | Service Unit (Mother I/F) | CXX7216           | CXX7217          |
|      | 34  | BE Core Unit (U2101)      | CWE2518           | Not used         |
|      | 35  | Holder                    | CND7288           | Not used         |
|      | 36  | Shield Case               | CND7210           | Not used         |

# 9.5 DVD MECHANISM MODULE (1)

1

2

3

4

A

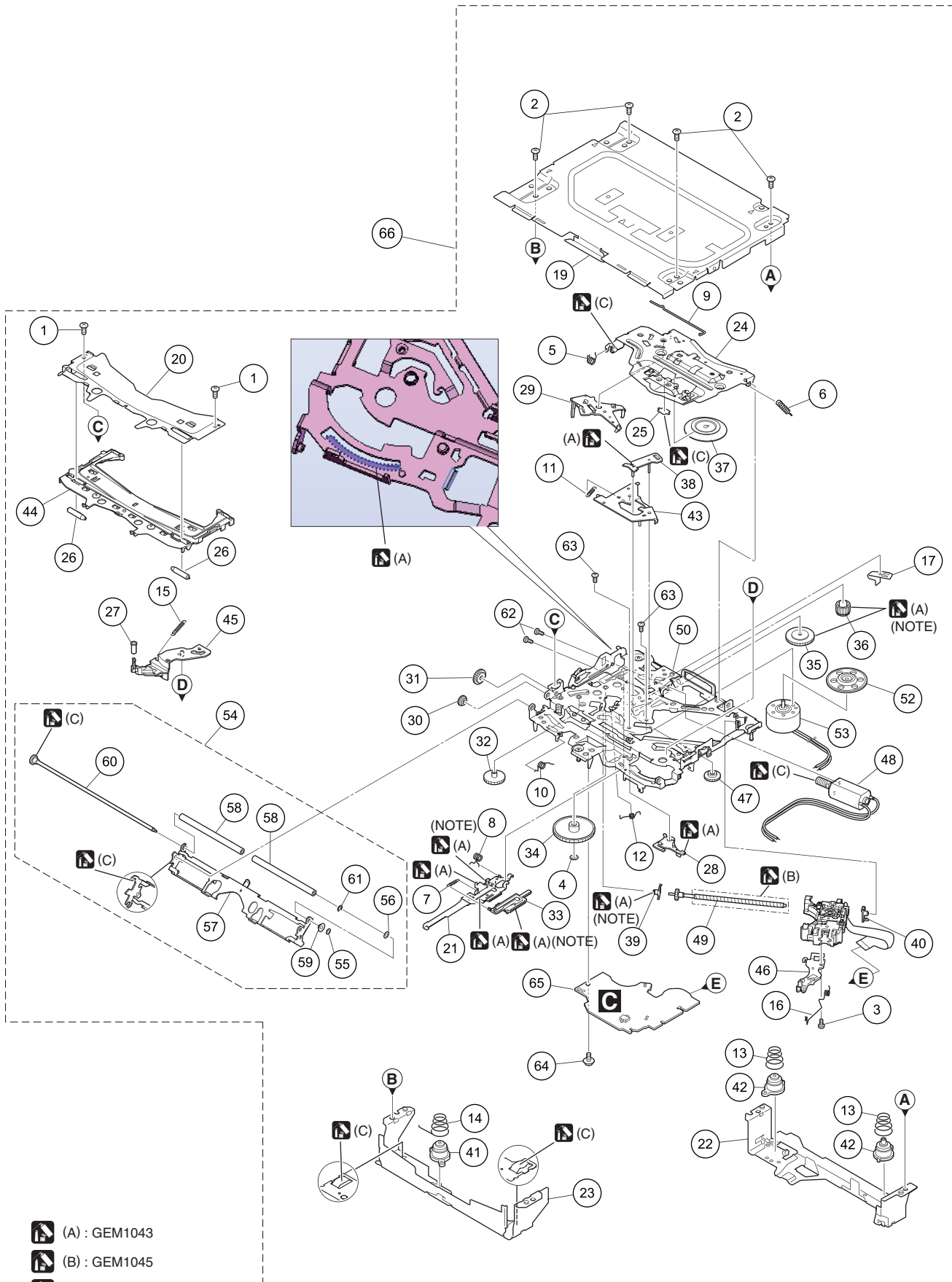
B

C

D

E

F



(NOTE) Apply grease to the whole part.

1

2

3

4

5 6 7 8  
**DVD MECHANISM MODULE (1) SECTION PARTS LIST**

| <u>Mark No.</u> | <u>Description</u> | <u>Part No.</u> | <u>Mark No.</u>                                                                                                                                | <u>Description</u>      | <u>Part No.</u> |
|-----------------|--------------------|-----------------|------------------------------------------------------------------------------------------------------------------------------------------------|-------------------------|-----------------|
| 1               | Screw              | BSZ20P040FTC    | 50                                                                                                                                             | Chassis Unit            | CXE8407         |
| 2               | Screw              | BSZ26P060FTC    |                                                                                                                                                |                         |                 |
| 3               | Screw (M2 x 4)     | CBA1835         | 51                                                                                                                                             | .....                   |                 |
| 4               | Washer             | CBF1038         | *                                                                                                                                              | 52 Support Wheel        | CNW2052         |
| 5               | Spring             | CBH2855         | *                                                                                                                                              | 53 Spindle Motor        | EXM2002         |
|                 |                    |                 |                                                                                                                                                | 54 Arm Assy             | CXE7890         |
| 6               | Spring             | CBH2860         |                                                                                                                                                | 55 Washer               | CBF1037         |
| 7               | Spring             | CBH3010         |                                                                                                                                                |                         |                 |
| 8               | Spring             | CBH3011         | 56                                                                                                                                             | Washer                  | CBF1038         |
| 9               | Spring             | CBH3014         | 57                                                                                                                                             | Arm                     | CND6779         |
| 10              | Spring             | CBH3015         | 58                                                                                                                                             | Roller                  | CNW2500         |
|                 |                    |                 | 59                                                                                                                                             | Collar                  | CNW2444         |
| 11              | Spring             | CBH3016         | 60                                                                                                                                             | Gear Unit               | CXE6225         |
| 12              | Spring             | CBH3017         |                                                                                                                                                |                         |                 |
| 13              | Spring             | CBH3019         | 61                                                                                                                                             | E Ring                  | YE15FTC         |
| 14              | Spring             | CBH3086         | 62                                                                                                                                             | Screw                   | JFZ20P025FTC    |
| 15              | Spring             | CBH3095         | 63                                                                                                                                             | Screw                   | JGZ17P020FTC    |
|                 |                    |                 | 64                                                                                                                                             | Screw (M2 x 5)          | EBA1028         |
| 16              | Spring             | CBH3096         | 65                                                                                                                                             | DVD Core Unit           | CWX4609         |
| 17              | Plate Spring       | CBL1824         |                                                                                                                                                |                         |                 |
| 18              | .....              |                 | 66                                                                                                                                             | Mechanism Unit(Service) | CXX7126         |
| 19              | Case               | CNB3928         | Pickup, Spindle Motor and Support Wheel are not available as service parts, because they need adjustment by special equipment after replacing. |                         |                 |
| 20              | Bracket            | CND4553         |                                                                                                                                                |                         |                 |
| 21              | Lever              | CND7225         |                                                                                                                                                |                         |                 |
| 22              | Bracket            | CND5710         |                                                                                                                                                |                         |                 |
| 23              | Bracket            | CND6127         |                                                                                                                                                |                         |                 |
| 24              | Arm                | CND7224         |                                                                                                                                                |                         |                 |
| 25              | Sheet              | CNN3678         |                                                                                                                                                |                         |                 |
| 26              | Roller             | CNW1172         |                                                                                                                                                |                         |                 |
| 27              | Roller             | CNW1175         |                                                                                                                                                |                         |                 |
| 28              | Arm                | CNW1177         |                                                                                                                                                |                         |                 |
| 29              | Arm                | CNW1178         |                                                                                                                                                |                         |                 |
| 30              | Gear               | CNW1180         |                                                                                                                                                |                         |                 |
| 31              | Gear               | CNW1181         |                                                                                                                                                |                         |                 |
| 32              | Gear               | CNW1183         |                                                                                                                                                |                         |                 |
| 33              | Rack               | CNW1184         |                                                                                                                                                |                         |                 |
| 34              | Gear               | CNW1185         |                                                                                                                                                |                         |                 |
| 35              | Gear               | CNW1186         |                                                                                                                                                |                         |                 |
| 36              | Gear               | CNW1187         |                                                                                                                                                |                         |                 |
| 37              | Clamper            | CNW1190         |                                                                                                                                                |                         |                 |
| 38              | Arm                | CNW1192         |                                                                                                                                                |                         |                 |
| 39              | Holder             | CNW1193         |                                                                                                                                                |                         |                 |
| 40              | Holder             | CNW1194         |                                                                                                                                                |                         |                 |
| 41              | Damper             | CNW2439         |                                                                                                                                                |                         |                 |
| 42              | Damper             | CNW2440         |                                                                                                                                                |                         |                 |
| 43              | Arm                | CNW1726         |                                                                                                                                                |                         |                 |
| 44              | Guide              | CNW3489         |                                                                                                                                                |                         |                 |
| 45              | Arm                | CNW2241         |                                                                                                                                                |                         |                 |
| 46              | Rack               | CNW2265         |                                                                                                                                                |                         |                 |
| 47              | Gear               | CNW2287         |                                                                                                                                                |                         |                 |
| 48              | Motor Unit         | CXC4026         |                                                                                                                                                |                         |                 |
| 49              | Screw Unit         | CXC8894         |                                                                                                                                                |                         |                 |

# 12. ELECTRICAL PARTS LIST

**NOTE:**

- Parts whose parts numbers are omitted are subject to being not supplied.
- The part numbers shown below indicate chip components.

**Chip Resistor**

RS1/○S○○○○J,RS1/○○S○○○○J

**Chip Capacitor (except for CQS.....)**

CKS....., CCS....., CSZS.....

- The  $\triangle$  mark found on some component parts indicates the importance of the safety factor of the part. Therefore, when replacing, be sure to use parts of identical designation.
- Meaning of the figures and others in the parentheses in the parts list.

Example) IC 301 is on the point (face A, 91 of x-axis, and 111 of y-axis) of the corresponding PC board.

IC 301 (A, 91, 111) IC NJM2068V

- The expression of the unit in this manual is shown by u instead of  $\mu$ . Please do not make a mistake.

|                                             | <u>Circuit Symbol and No.</u> | <u>Part No.</u>                      | <u>Circuit Symbol and No.</u> | <u>Part No.</u> |
|---------------------------------------------|-------------------------------|--------------------------------------|-------------------------------|-----------------|
| <b>A:AVH-X5700BHS/XNUC</b>                  | IC 271                        | (B,146,29) Regulator IC              | MM1856A58N                    |                 |
|                                             | IC 301                        | (B,159,41) IC                        | AN33012UA                     |                 |
| <b>B:AVH-X4700BS/XNUC</b>                   | IC 351                        | (B,155,64) DC/DC CONV IC             | KBD9876EFJ                    |                 |
|                                             | IC 401                        | (A,49,37) Flash Blank UC IC          | MN103LF15RXW                  |                 |
| <b>Unit Number: CXX7216(A)</b>              |                               |                                      |                               |                 |
| <b>Unit Number: CXX7217(B)</b>              |                               |                                      |                               |                 |
| <b>Unit Name : Service Unit(Mother I/F)</b> |                               |                                      |                               |                 |
| <b>Unit Number: CXX7234</b>                 |                               |                                      |                               |                 |
| <b>Unit Name : Service Unit(Monitor)</b>    |                               |                                      |                               |                 |
| <b>Unit Number: CWX4609</b>                 |                               |                                      |                               |                 |
| <b>Unit Name : DVD Core Unit</b>            |                               |                                      |                               |                 |
| <b>Unit Number: CXX7236</b>                 |                               |                                      |                               |                 |
| <b>Unit Name : Service Unit(Keyboard)</b>   |                               |                                      |                               |                 |
| <b>Unit Number: EXX2001</b>                 |                               |                                      |                               |                 |
| <b>Unit Name : PCB Unit(Service)</b>        |                               |                                      |                               |                 |
| <b>Service Unit(Mother I/F)</b>             |                               |                                      |                               |                 |
| <b>Consists of</b>                          |                               |                                      |                               |                 |
| <b>Mother PCB</b>                           |                               |                                      |                               |                 |
| <b>Interface PCB</b>                        |                               |                                      |                               |                 |
|                                             | IC 601                        | (A,91,46) AS IC                      | MN1AA9010Z                    |                 |
|                                             | IC 603                        | (B,151,91) And Logic IC              | MC74VHC1GT08DFG               |                 |
|                                             | IC 851                        | (B,104,21) RAM IC                    | M12L2561616A-5TG2S            |                 |
|                                             | IC 871                        | (B,78,53) Serial Flash Memory        | MX25L6406EM21-12G             |                 |
|                                             | IC 881                        | (B,78,41) Flash Memory IC            | S99-50389P                    |                 |
|                                             | IC 891                        | (A,124,54) IC                        | 337S3959                      |                 |
|                                             | IC 901                        | (B,110,55) IC                        | AK8814VQ                      |                 |
|                                             | IC 931                        | (B,98,73) IC                         | NJM2283V                      |                 |
|                                             | IC 1101                       | (B,137,50) IC                        | AK4223VQ                      |                 |
|                                             | IC 1201                       | (B,137,79) AUD DSP SYS LSI           | PM9014A                       |                 |
|                                             | IC 1271                       | (B,113,84) OP AMP IC                 | NJW1240V                      |                 |
|                                             | IC 1301                       | (A,88,121) Power AMP IC              | PA2032A                       |                 |
|                                             | IC 2001                       | (B,28,29) Regulator IC(A)            | MM3479A33P                    |                 |
|                                             | IC 2002                       | (B,28,51) Regulator IC(A)            | MM3479A12P                    |                 |
|                                             | IC 2004                       | (A,37,60) Regulator IC               | MM3479A33P                    |                 |
|                                             | IC 2201                       | (A,40,74) Tuner IC(A)<br>Tuner IC(B) | TEF6688HN<br>TEF6686HN        |                 |
|                                             | IC 2401                       | (B,160,86) DC/DC CONV IC             | AN33014UA                     |                 |
|                                             | IC 2501                       | (A,143,26) Logic IC                  | TC7SZ32FUS1                   |                 |
|                                             | IC 3191                       | (B,155,100) Interface IC             | STCC2540IQ                    |                 |
|                                             | IC 3221                       | (B,75,71) Comparator IC              | TC7S557FU                     |                 |
|                                             | IC 3231                       | (B,83,72) V AMP IC                   | BH7673G                       |                 |
|                                             | IC 3232                       | (B,89,79) V AMP IC                   | BH7673G                       |                 |
|                                             | IC 3233                       | (B,111,69) V AMP IC                  | BH7673G                       |                 |
|                                             | IC 3234                       | (B,98,81) V AMP IC                   | BH7673G                       |                 |
|                                             | IC 4001                       | (B,26,32) IC                         | TC7SH126FU                    |                 |
|                                             | IC 4002                       | (B,22,34) And Logic IC               | MC74VHC1GT08DFG               |                 |
|                                             | IC 4004                       | (B,63,37) And Logic IC               | MC74VHC1GT08DFG               |                 |
|                                             | IC 4005                       | (B,55,32) And Logic IC               | MC74VHC1GT08DFG               |                 |
|                                             | Q 11                          | (B,72,95) Chip Transistor            | HN1C01FU                      |                 |
|                                             | Q 21                          | (B,59,127) Resistor Built-IN TR      | LTC014EEB                     |                 |
|                                             | Q 31                          | (B,64,124) Resistor Built-IN TR      | LTC014EEB                     |                 |
|                                             | Q 51                          | (B,40,124) Bipolar TR                | LSAR523UB                     |                 |
|                                             | Q 61                          | (B,51,127) Bipolar TR                | LSAR523UB                     |                 |
|                                             | Q 211                         | (B,126,31) Transistor                | 2SCR573DG                     |                 |
|                                             | Q 212                         | (B,117,33) Resistor Built-IN TR      | LTC014EEB                     |                 |
|                                             | Q 301                         | (A,167,42) Power MOS FET             | ATP112-H                      |                 |

| 5                             |             |                      | 6               |  |  | 7                             |            |                  | 8               |  |   |
|-------------------------------|-------------|----------------------|-----------------|--|--|-------------------------------|------------|------------------|-----------------|--|---|
| <u>Circuit Symbol and No.</u> |             |                      | <u>Part No.</u> |  |  | <u>Circuit Symbol and No.</u> |            |                  | <u>Part No.</u> |  |   |
| Q 302                         | (A,157,40)  | Power MOS FET        | ATP112-H        |  |  | L 403                         | (A,129,38) | Chip Beads       | VTL1126         |  |   |
| Q 401                         | (A,54,55)   | Bipolar TR           | LSCR523UB       |  |  | L 404                         | (A,131,37) | Chip Beads       | VTL1126         |  |   |
| Q 821                         | (B,79,66)   | Bipolar TR           | LSCR523UB       |  |  | L 700                         | (A,76,30)  | Chip Beads       | VTL1126         |  |   |
| Q 892                         | (A,124,50)  | Bipolar TR           | LSAR523UB       |  |  | L 701                         | (A,79,28)  | Chip Beads       | VTL1126         |  | A |
| Q 931                         | (B,93,66)   | Bipolar TR           | LSCR523UB       |  |  | L 702                         | (A,79,26)  | Chip Beads       | VTL1126         |  |   |
| Q 932                         | (B,88,69)   | Bipolar TR           | LSCR523UB       |  |  | L 703                         | (A,80,28)  | Chip Beads       | VTL1126         |  |   |
| Q 933                         | (B,85,68)   | Bipolar TR           | LSCR523UB       |  |  | L 704                         | (A,81,26)  | Chip Beads       | VTL1126         |  |   |
| Q 1271                        | (B,125,85)  | Resistor Built-IN TR | LTC044EEB       |  |  | L 705                         | (A,81,28)  | Chip Beads       | VTL1126         |  |   |
| Q 1301                        | (A,96,108)  | Chip Transistor      | RN1903          |  |  | L 706                         | (A,82,26)  | Chip Beads       | VTL1126         |  |   |
| Q 1303                        | (A,89,106)  | Bipolar TR           | LSCR523UB       |  |  | L 707                         | (A,82,28)  | Chip Beads       | VTL1126         |  |   |
| Q 2201                        | (A,25,68)   | Bipolar TR(A)        | MMBT2369L       |  |  | L 708                         | (A,83,26)  | Chip Beads       | VTL1126         |  |   |
| Q 2202                        | (A,25,64)   | Bipolar TR(A)        | MMBT2369L       |  |  | L 709                         | (A,84,28)  | Chip Beads       | VTL1126         |  |   |
| Q 2203                        | (A,33,68)   | Bipolar TR(A)        | MMBT2369L       |  |  | L 710                         | (A,84,26)  | Chip Beads       | VTL1126         |  |   |
| Q 2204                        | (A,32,65)   | Bipolar TR(A)        | MMBT2369L       |  |  | L 711                         | (A,85,28)  | Chip Beads       | VTL1126         |  |   |
| Q 3051                        | (B,78,85)   | Chip Transistor      | HN1B04FU        |  |  | L 712                         | (A,85,26)  | Chip Beads       | VTL1126         |  | B |
| Q 3101                        | (A,26,108)  | Chip Transistor      | 2SD2114K        |  |  | L 713                         | (A,86,28)  | Chip Beads       | VTL1126         |  |   |
| Q 3102                        | (A,30,108)  | Transistor           | RN4984          |  |  | L 714                         | (A,87,26)  | Chip Beads       | VTL1126         |  |   |
| Q 3103                        | (A,23,107)  | Transistor           | RN4984          |  |  | L 715                         | (A,87,28)  | Chip Beads       | VTL1126         |  |   |
| D 1                           | (B,67,104)  | Diode                | D1F60-5053      |  |  | L 716                         | (A,88,26)  | Chip Beads       | VTL1126         |  |   |
| D 2                           | (B,67,101)  | Diode                | D1F60-5053      |  |  | L 717                         | (A,88,28)  | Chip Beads       | VTL1126         |  |   |
| D 3                           | (A,156,79)  | Diode                | RB080L-30       |  |  | L 718                         | (A,89,26)  | Chip Beads       | VTL1126         |  |   |
| D 11                          | (B,73,98)   | Diode                | DZ2J062M0       |  |  | L 719                         | (A,90,28)  | Chip Beads       | VTL1126         |  |   |
| D 12                          | (B,68,94)   | Diode                | DZ2J068M0       |  |  | L 720                         | (A,91,27)  | Chip Beads       | VTL1126         |  |   |
| D 21                          | (B,59,124)  | Rectifier Diode      | DA2J101         |  |  | L 721                         | (A,93,26)  | Chip Beads       | VTL1126         |  |   |
| D 32                          | (B,66,127)  | Diode                | DZ2J056M0       |  |  | L 722                         | (A,94,26)  | Chip Beads       | VTL1126         |  | C |
| D 41                          | (A,74,116)  | Diode                | CRG03           |  |  | L 723                         | (A,95,26)  | Chip Beads       | VTL1126         |  |   |
| D 51                          | (B,42,122)  | Rectifier Diode      | DA2J101         |  |  | L 724                         | (A,96,28)  | Chip Beads       | VTL1126         |  |   |
| D 61                          | (B,50,124)  | Rectifier Diode      | DA2J101         |  |  | L 725                         | (B,92,28)  | Chip Beads       | VTL1126         |  |   |
| D 101                         | (B,66,93)   | Diode                | D1F60-5053      |  |  | L 750                         | (A,110,34) | Chip Beads       | VTL1128         |  |   |
| D 212                         | (B,119,30)  | Diode                | DZ2J062M0       |  |  | L 851                         | (B,98,33)  | Inductor         | CTF1786         |  |   |
| D 301                         | (A,162,39)  | Diode                | RB056L-40       |  |  | L 852                         | (B,111,24) | Chip Beads       | VTL1128         |  |   |
| D 302                         | (A,158,33)  | Diode                | RB056L-40       |  |  | L 871                         | (B,84,50)  | Inductor         | CTF1786         |  |   |
| D 351                         | (A,154,64)  | Diode                | RB056L-40       |  |  | L 881                         | (B,84,42)  | Inductor         | CTF1786         |  |   |
| D 401                         | (B,62,49)   | Schottky Diode       | DB2J31400       |  |  | L 882                         | (B,84,47)  | Inductor         | CTF1740         |  |   |
| D 403                         | (B,59,45)   | Schottky Diode       | DB2J31400       |  |  | L 901                         | (B,118,62) | Inductor         | ATL7039         |  |   |
| D 1301                        | (A,81,107)  | Rectifier Diode      | DA2J101         |  |  | L 902                         | (B,108,44) | Inductor         | ATL7039         |  | D |
| D 1302                        | (A,92,103)  | Diode                | DZ2J082M0       |  |  | L 903                         | (B,104,64) | Chip Beads       | VTL1126         |  |   |
| D 2201                        | (B,21,102)  | Diode                | EZAEG2A50AX     |  |  | L 904                         | (A,113,53) | Chip Beads       | VTL1126         |  |   |
| D 2202                        | (A,36,91)   | Diode                | EZAEG2A50AX     |  |  | L 905                         | (A,109,53) | Chip Beads       | VTL1126         |  |   |
| D 2203                        | (A,35,88)   | Diode                | EZAEG2A50AX     |  |  | L 906                         | (A,113,52) | Chip Beads       | VTL1126         |  |   |
| D 2401                        | (B,155,85)  | Diode                | RB060M-30       |  |  | L 907                         | (A,109,52) | Chip Beads       | VTL1126         |  |   |
| D 2402                        | (A,154,85)  | Diode                | D1F60-5053      |  |  | L 908                         | (A,113,51) | Chip Beads       | VTL1126         |  |   |
| D 3101                        | (A,22,114)  | Diode                | DZ2S180C        |  |  | L 909                         | (A,109,51) | Chip Beads       | VTL1126         |  |   |
| D 3102                        | (A,28,113)  | Diode                | DZ2S180C        |  |  | L 910                         | (A,114,50) | Chip Beads       | VTL1126         |  |   |
| D 3103                        | (A,35,113)  | Diode                | DZ2S180C        |  |  | L 911                         | (A,110,50) | Chip Beads       | VTL1126         |  |   |
| D 3104                        | (A,32,113)  | Diode                | DZ2S180C        |  |  | L 1201                        | (B,144,80) | Ferrite Bead     | CTF1528         |  |   |
| D 3105                        | (A,33,108)  | Diode                | DZ2J039M0       |  |  | L 1202                        | (B,129,80) | Ferrite Bead     | CTF1528         |  | E |
| D 3152                        | (B,142,100) | Diode                | DZ2S180C        |  |  | L 2201                        | (A,48,63)  | Inductor         | CTF1749         |  |   |
| D 3153                        | (A,150,106) | Diode                | DZ2S180C        |  |  | L 2203                        | (A,32,83)  | Inductor         | LCYC150K1608    |  |   |
| D 3154                        | (A,158,105) | Diode                | DZ2S180C        |  |  | L 2204                        | (A,33,89)  | Inductor         | CTF1389         |  |   |
| D 3191                        | (A,162,101) | Diode                | EZAEG2A50AX     |  |  | L 2205                        | (A,39,91)  | Inductor         | LCMAR27J1608    |  |   |
| D 3192                        | (A,162,100) | Diode                | EZAEG2A50AX     |  |  | L 2401                        | (A,160,83) | SMD SPL Inductor | CTH1524         |  |   |
| D 4023                        | (B,54,28)   | Rectifier Diode      | DA2J101         |  |  | L 2402                        | (B,155,81) | Inductor         | CTF1793         |  |   |
| L 1                           | (A,60,103)  | Choke Coil 600 uH    | CTH1221         |  |  | L 2503                        | (A,144,28) | Chip Beads       | VTL1126         |  |   |
| L 2                           | (A,158,73)  | Choke Coil 10 uH     | CTH1486         |  |  | L 3051                        | (A,79,71)  | Chip Beads       | VTL1126         |  |   |
| L 301                         | (A,166,29)  | Choke Coil 7 uH      | CTH1381         |  |  | L 3052                        | (A,78,70)  | Chip Beads       | VTL1126         |  |   |
| L 302                         | (A,156,28)  | SMD SPL Inductor     | CTH1519         |  |  | L 3053                        | (B,75,75)  | Chip Beads       | VTL1126         |  |   |
| L 351                         | (A,153,58)  | SMD SPL Inductor     | CTH1524         |  |  | L 3054                        | (A,77,71)  | Chip Beads       | VTL1126         |  | F |
| L 402                         | (A,128,38)  | Chip Beads           | VTL1126         |  |  | L 3055                        | (A,76,70)  | Chip Beads       | VTL1126         |  |   |
|                               |             |                      |                 |  |  | L 3101                        | (A,22,116) | Chip Beads       | VTL1126         |  |   |



| 5                             |               | 6               |  | 7                             |                | 8               |   |
|-------------------------------|---------------|-----------------|--|-------------------------------|----------------|-----------------|---|
| <u>Circuit Symbol and No.</u> |               | <u>Part No.</u> |  | <u>Circuit Symbol and No.</u> |                | <u>Part No.</u> |   |
| R 417                         | (A,53,52)     | RS1/16SS104J    |  | R 515                         | (A,64,46)      | RS1/16SS221J    |   |
| R 418                         | (B,51,48)     | RS1/16SS102J    |  | R 518                         | (A,37,47)      | RS1/16SS0R0J    |   |
|                               |               |                 |  | R 526                         | (B,60,52)      | RS1/16SS102J    |   |
| R 419                         | (A,49,50)     | RS1/16SS0R0J    |  |                               |                |                 |   |
| R 420                         | (B,43,52)     | RS1/16SS102J    |  | R 527                         | (A,126,38)     | RS1/16SS0R0J    | A |
| R 421                         | (A,43,56)     | RS1/16SS104J    |  | R 528                         | (A,127,38)     | RS1/16SS0R0J    |   |
| R 422                         | (A,41,50)     | RS1/16SS473J    |  | R 602                         | (A,112,27)     | RS1/10SR0R0J    |   |
| R 423                         | (A,40,52)     | RS1/16SS473J    |  | R 603                         | (A,106,61)     | RS1/16SS473J    |   |
|                               |               |                 |  | R 605                         | (A,108,61)     | RS1/16SS473J    |   |
| R 424                         | (A,39,52)     | RS1/16SS121J    |  |                               |                |                 |   |
| R 425                         | (A,38,52)     | RS1/16SS104J    |  | R 606                         | (A,105,64) (A) | RS1/16SS0R0J    |   |
| R 426                         | (A,37,52)     | RS1/16SS121J    |  | R 607                         | (A,104,64) (A) | RS1/16SS0R0J    |   |
| R 430                         | (A,35,44)     | RS1/16SS102J    |  | R 608                         | (A,104,65) (A) | RS1/16SS0R0J    |   |
| R 431                         | (A,35,46)     | RS1/16SS473J    |  | R 609                         | (A,103,64) (A) | RS1/16SS0R0J    |   |
|                               |               |                 |  | R 610                         | (A,102,65) (A) | RS1/16SS473J    |   |
| R 435                         | (B,40,41)     | RS1/16SS682J    |  |                               |                |                 |   |
| R 437                         | (B,38,41)     | RS1/16SS0R0J    |  | R 614                         | (A,98,64)      | RS1/16SS0R0J    |   |
| R 439                         | (A,35,41) (A) | RS1/16SS102J    |  | R 615                         | (A,97,64)      | RS1/16SS0R0J    | B |
| R 440                         | (A,34,41) (A) | RS1/16SS104J    |  | R 616                         | (A,96,64)      | RS1/16SS473J    |   |
| R 441                         | (A,35,40)     | RS1/16SS0R0J    |  | R 619                         | (B,84,60)      | RS1/16SS0R0J    |   |
|                               |               |                 |  | R 620                         | (A,90,65)      | RS1/16SS1R0J    |   |
| R 447                         | (A,35,36)     | RS1/16SS102J    |  |                               |                |                 |   |
| R 453                         | (A,36,32)     | RS1/16SS101J    |  | R 621                         | (B,83,60)      | RS1/16SS1R0J    |   |
| R 454                         | (A,127,40)    | RS1/16SS473J    |  | R 622                         | (B,84,61)      | RS1/16SS0R0J    |   |
| R 455                         | (A,126,40)    | RS1/16SS473J    |  | R 623                         | (B,83,61)      | RS1/16SS0R0J    |   |
| R 456                         | (A,128,39)    | RS1/16SS681J    |  | R 625                         | (B,81,61)      | RS1/16SS473J    |   |
|                               |               |                 |  | R 627                         | (B,78,64)      | RS1/16SS473J    |   |
| R 457                         | (A,39,24)     | RS1/16SS822J    |  |                               |                |                 |   |
| R 458                         | (A,40,24)     | RS1/16SS471J    |  | R 628                         | (B,76,62)      | RS1/16SS0R0J    |   |
| R 460                         | (A,44,24)     | RS1/16SS473J    |  | R 629                         | (A,78,63)      | RS1/16SS105J    |   |
| R 463                         | (B,43,29)     | RS1/16SS104J    |  | R 630                         | (A,80,64)      | RS1/16SS102J    | C |
| R 464                         | (B,43,28)     | RS1/16SS473J    |  | R 631                         | (B,72,61)      | RS1/16SS102J    |   |
|                               |               |                 |  | R 632                         | (A,73,59)      | RS1/16SS0R0J    |   |
| R 465                         | (A,47,24)     | RS1/16SS473J    |  |                               |                |                 |   |
| R 466                         | (A,36,39)     | RS1/16SS222J    |  | R 633                         | (A,76,60)      | RS1/16SS0R0J    |   |
| R 467                         | (A,51,22)     | RS1/16SS104J    |  | R 636                         | (B,72,59)      | RS1/16SS104J    |   |
| R 468                         | (B,50,23)     | RS1/16SS473J    |  | R 637                         | (B,76,60)      | RS1/16SS473J    |   |
| R 471                         | (A,52,24)     | RS1/16SS221J    |  | R 639                         | (B,76,58)      | RS1/16SS473J    |   |
|                               |               |                 |  | R 641                         | (B,80,59)      | RS1/16SS103J    |   |
| R 472                         | (A,53,24)     | RS1/16SS221J    |  |                               |                |                 |   |
| R 474                         | (A,55,24)     | RS1/16SS221J    |  | R 642                         | (B,80,58)      | RS1/16SS103J    |   |
| R 475                         | (A,56,24)     | RS1/16SS221J    |  | R 643                         | (A,72,53)      | RS1/16SS4701D   |   |
| R 476                         | (A,57,22)     | RS1/16SS221J    |  | R 644                         | (A,72,54)      | RS1/16SS1201D   | D |
| R 477                         | (B,57,26)     | RS1/16SS104J    |  | R 645                         | (A,74,54)      | RS1/16SS0R0J    |   |
|                               |               |                 |  | R 646                         | (A,73,52)      | RS1/16SS0R0J    |   |
| R 478                         | (A,57,24)     | RS1/16SS221J    |  |                               |                |                 |   |
| R 479                         | (A,58,22)     | RS1/16SS104J    |  | R 647                         | (A,68,61)      | RS1/16SS0R0J    |   |
| R 486                         | (A,66,27) (B) | RS1/16SS104J    |  | R 648                         | (A,67,61)      | RS1/16SS0R0J    |   |
| R 489                         | (A,64,29)     | RS1/16SS104J    |  | R 651                         | (A,72,49)      | RS1/16SS0R0J    |   |
| R 493                         | (B,57,32)     | RS1/16SS103J    |  | R 653                         | (B,69,50)      | RS1/16SS101J    |   |
| R 494                         | (B,60,32)     | RS1/16SS221J    |  | R 654                         | (B,70,49)      | RS1/16SS101J    |   |
|                               |               |                 |  |                               |                |                 |   |
| R 495                         | (A,64,33)     | RS1/16SS104J    |  | R 660                         | (B,91,32)      | RS1/16SS473J    |   |
| R 496                         | (B,57,33)     | RS1/16SS103J    |  | R 685                         | (A,112,32)     | RS1/10SR0R0J    |   |
| R 497                         | (B,60,33)     | RS1/16SS221J    |  | R 686                         | (B,154,91)     | RS1/16SS473J    |   |
| R 499                         | (B,57,34)     | RS1/16SS104J    |  | R 687                         | (B,151,93)     | RS1/16SS103J    | E |
| R 500                         | (B,57,35)     | RS1/16SS104J    |  | R 688                         | (B,153,93)     | RS1/16SS473J    |   |
|                               |               |                 |  |                               |                |                 |   |
| R 501                         | (A,64,35)     | RS1/16SS101J    |  | R 700                         | (A,97,66)      | RS1/16SS473J    |   |
| R 502                         | (A,65,36)     | RS1/16SS221J    |  | R 701                         | (A,76,27)      | RS1/16SS180J    |   |
| R 503                         | (A,64,36)     | RS1/16SS221J    |  | R 703                         | (A,78,28)      | RS1/16SS473J    |   |
| R 504                         | (A,65,37)     | RS1/16SS221J    |  | R 704                         | (A,79,24)      | RS1/16SS390J    |   |
| R 505                         | (B,60,38)     | RS1/16SS104J    |  | R 705                         | (A,79,23)      | RS1/16SS390J    |   |
|                               |               |                 |  |                               |                |                 |   |
| R 506                         | (B,53,30)     | RS1/16SS0R0J    |  | R 706                         | (A,80,24)      | RS1/16SS390J    |   |
| R 508                         | (B,59,46)     | RS1/16SS103J    |  | R 707                         | (A,81,23)      | RS1/16SS390J    |   |
| R 510                         | (A,61,26)     | RS1/16SS473J    |  | R 708                         | (A,81,24)      | RS1/16SS390J    |   |
| R 511                         | (A,64,44)     | RS1/16SS471J    |  | R 709                         | (A,82,23)      | RS1/16SS390J    |   |
| R 512                         | (A,65,42)     | RS1/16SS472J    |  | R 710                         | (A,82,24)      | RS1/16SS390J    | F |
|                               |               |                 |  |                               |                |                 |   |
| R 513                         | (A,63,45)     | RS1/16SS471J    |  | R 711                         | (A,83,23)      | RS1/16SS390J    |   |
| R 514                         | (A,65,41)     | RS1/16SS472J    |  | R 712                         | (A,84,24)      | RS1/16SS390J    |   |

|   | 1                             | 2               | 3                             | 4               |
|---|-------------------------------|-----------------|-------------------------------|-----------------|
|   | <u>Circuit Symbol and No.</u> | <u>Part No.</u> | <u>Circuit Symbol and No.</u> | <u>Part No.</u> |
|   | R 713 (A,84,23)               | RS1/16SS390J    | R 885 (B,74,34)               | RS1/16SS101J    |
|   | R 714 (A,85,24)               | RS1/16SS390J    | R 886 (B,82,47)               | RS1/16SS271J    |
|   | R 715 (A,85,23)               | RS1/16SS390J    | R 887 (B,84,45)               | RS1/16SS101J    |
| A | R 716 (A,86,24)               | RS1/16SS390J    | R 888 (B,75,47)               | RS1/16SS101J    |
|   | R 717 (A,87,23)               | RS1/16SS390J    | R 892 (A,128,52)              | RS1/16SS473J    |
|   | R 718 (A,87,24)               | RS1/16SS390J    | R 893 (A,124,52)              | RS1/16SS183J    |
|   | R 719 (A,88,23)               | RS1/16SS390J    | R 895 (A,127,54)              | RS1/16SS222J    |
|   | R 720 (A,88,24)               | RS1/16SS390J    | R 896 (A,121,55)              | RS1/16SS222J    |
|   | R 721 (A,89,23)               | RS1/16SS390J    | R 897 (A,114,56)              | RS1/16SS220J    |
|   | R 726 (B,92,30)               | RS1/16SS101J    | R 898 (A,120,53)              | RS1/16SS222J    |
|   | R 727 (B,94,31)               | RS1/16SS0R0J    | R 902 (B,106,64)              | RS1/16SS820J    |
|   | R 729 (A,90,24)               | RS1/16SS560J    | R 904 (B,114,61)              | RS1/16SS103J    |
|   | R 730 (A,91,25)               | RS1/16SS331J    | R 906 (A,115,53)              | RS1/16SS561J    |
| B | R 732 (A,94,25)               | RS1/16SS151J    | R 908 (A,111,53)              | RS1/16SS561J    |
|   | R 733 (A,98,25)               | RS1/16SS560J    | R 910 (A,115,52)              | RS1/16SS561J    |
|   | R 734 (A,97,26)               | RS1/16SS560J    | R 912 (A,111,52)              | RS1/16SS561J    |
|   | R 735 (A,96,27)               | RS1/16SS560J    | R 914 (A,115,51)              | RS1/16SS561J    |
|   | R 736 (A,107,31)              | RS1/16SS472J    | R 916 (A,111,51)              | RS1/16SS561J    |
|   | R 739 (A,112,34)              | RS1/16SS330J    | R 918 (A,115,50)              | RS1/16SS561J    |
|   | R 792 (A,111,35)              | RS1/16SS330J    | R 920 (A,112,50)              | RS1/16SS561J    |
|   | R 793 (A,107,32)              | RS1/16SS472J    | R 921 (B,113,48)              | RS1/16SS103J    |
|   | R 794 (A,109,32)              | RS1/16SS472J    | R 922 (B,113,47)              | RS1/16SS271J    |
|   | R 795 (B,104,38)              | RS1/16SS472J    | R 923 (B,112,48)              | RS1/16SS271J    |
|   | R 797 (B,105,40)              | RS1/16SS472J    | R 924 (B,110,47)              | RS1/16SS181J    |
| C | R 798 (B,105,41)              | RS1/16SS472J    | R 925 (B,111,48)              | RS1/16SS103J    |
|   | R 802 (A,116,44)              | RS1/16SS103J    | R 926 (B,112,46)              | RS1/16SS103J    |
|   | R 805 (A,112,44)              | RS1/16SS473J    | R 930 (B,106,47)              | RS1/10SR0R0J    |
|   | R 806 (A,113,47)              | RS1/16SS473J    | R 931 (B,104,53)              | RS1/16SS6801D   |
|   | R 813 (A,109,57)              | RS1/16SS472J    | R 932 (B,111,61)              | RS1/16SS104J    |
|   | R 814 (A,109,58)              | RS1/16SS0R0J    | R 933 (B,112,61)              | RS1/16SS104J    |
|   | R 815 (A,112,58)              | RS1/16SS473J    | R 934 (B,104,45)              | RS1/16SS0R0J    |
|   | R 816 (A,111,58)              | RS1/16SS0R0J    | R 935 (B,92,78)               | RS1/16SS0R0J    |
|   | R 821 (B,81,64)               | RS1/16SS103J    | R 938 (B,93,69)               | RS1/16SS0R0J    |
|   | R 822 (B,77,66)               | RS1/16SS0R0J    | R 941 (B,92,65)               | RS1/16SS471J    |
|   | R 823 (B,75,66)               | RS1/16SS104J    | R 944 (B,89,67)               | RS1/16SS471J    |
| D | R 824 (B,76,66)               | RS1/16SS153J    | R 947 (B,82,69)               | RS1/16SS471J    |
|   | R 825 (B,79,68)               | RS1/16SS471J    | R 948 (B,90,72)               | RS1/16SS104J    |
|   | R 827 (A,112,48)              | RS1/16SS0R0J    | R 949 (B,94,76)               | RS1/16SS104J    |
|   | R 828 (A,110,48)              | RS1/16SS0R0J    | R 950 (B,90,65)               | RS1/16SS0R0J    |
|   | R 841 (A,111,82)              | RAB4CQ103J      | R 951 (B,86,67)               | RS1/16SS0R0J    |
|   | R 851 (B,95,15)               | RAB4CQ101J      | R 952 (B,84,66)               | RS1/16SS0R0J    |
|   | R 852 (B,95,18)               | RAB4CQ101J      | R 953 (B,99,78)               | RS1/16SS104J    |
|   | R 853 (B,105,34)              | RAB4CQ181J      | R 960 (B,117,65)              | RS1/16SS0R0J    |
|   | R 854 (B,102,34)              | RAB4CQ181J      | R 970 (B,114,44)              | RS1/16SS222J    |
|   | R 855 (B,100,34)              | RAB4CQ181J      | R 971 (B,113,44)              | RS1/16SS222J    |
| E | R 856 (B,113,14)              | RAB4CQ101J      | R 1113 (B,139,39)             | RS1/16SS75R0D   |
|   | R 857 (B,113,19)              | RAB4CQ101J      | R 1114 (B,137,40)             | RS1/16SS104J    |
|   | R 858 (B,112,22)              | RS1/16SS121J    | R 1115 (B,135,39)             | RS1/16SS75R0D   |
|   | R 859 (B,113,28)              | RS1/16SS181J    | R 1116 (B,133,41)             | RS1/16SS2200D   |
|   | R 860 (B,112,28)              | RS1/16SS181J    | R 1117 (B,126,46)             | RS1/16SS0R0J    |
|   | R 861 (B,97,23)               | RS1/16SS101J    | R 1118 (B,131,46)             | RS1/16SS75R0D   |
|   | R 862 (B,114,34)              | RAB4CQ181J      | R 1119 (B,136,40)             | RS1/16SS101J    |
|   | R 863 (B,111,34)              | RAB4CQ181J      | R 1120 (B,135,40)             | RS1/16SS101J    |
|   | R 872 (B,76,49)               | RS1/16SS0R0J    | R 1122 (B,140,40)             | RS1/16SS101J    |
|   | R 873 (B,77,49)               | RS1/16SS0R0J    | R 1123 (B,139,40)             | RS1/16SS101J    |
|   | R 877 (B,83,53)               | RS1/16SS101J    | R 1124 (B,142,40)             | RS1/16SS101J    |
| F | R 878 (B,83,55)               | RS1/16SS101J    | R 1125 (B,141,40)             | RS1/16SS101J    |
|   | R 882 (B,84,37)               | RS1/16SS101J    | R 1131 (B,146,57)             | RS1/16SS101J    |
|   | R 883 (B,80,34)               | RS1/16SS0R0J    | R 1132 (B,144,57)             | RS1/16SS101J    |
|   | R 884 (B,75,34)               | RS1/16SS101J    | R 1133 (B,143,57)             | RS1/16SS101J    |

| 5                             |               | 6               |  | 7                             |                      | 8               |   |
|-------------------------------|---------------|-----------------|--|-------------------------------|----------------------|-----------------|---|
| <u>Circuit Symbol and No.</u> |               | <u>Part No.</u> |  | <u>Circuit Symbol and No.</u> |                      | <u>Part No.</u> |   |
| R 1134                        | (B,134,60)    | RS1/16SS101J    |  | R 2221                        | (A,28,68) (A)        | RS1/16SS332J    |   |
| R 1135                        | (B,133,60)    | RS1/16SS101J    |  | R 2222                        | (A,25,62) (A)        | RS1/16SS121J    |   |
| R 1136                        | (B,132,60)    | RS1/16SS101J    |  | R 2223                        | (A,28,66) (A)        | RS1/16SS102J    |   |
| R 1142                        | (B,134,39)    | RS1/10SR0R0J    |  | R 2224                        | (A,33,73) (A)        | RS1/16SS0R0J    | A |
| R 1143                        | (B,131,45)    | RS1/16SS470J    |  | R 2225                        | (A,33,71) (A)        | RS1/16SS0R0J    |   |
| R 1148                        | (B,141,44)    | RS1/16SS0R0J    |  | R 2226                        | (A,35,68) (A)        | RS1/16SS182J    |   |
| R 1149                        | (B,143,47)    | RS1/16SS0R0J    |  | R 2227                        | (A,30,67) (A)        | RS1/16SS332J    |   |
| R 1214                        | (B,135,96)    | RS1/16SS0R0J    |  | R 2228                        | (A,35,65) (A)        | RS1/16SS121J    |   |
| R 1228                        | (B,140,69)    | RS1/16SS0R0J    |  | R 2229                        | (A,29,66) (A)        | RS1/16SS102J    |   |
| R 1232                        | (B,134,96)    | RS1/16SS0R0J    |  | R 2230                        | (A,30,74) (A)        | RS1/16SS0R0J    |   |
| R 1236                        | (A,127,84)    | RS1/10SR0R0J    |  | R 2231                        | (A,30,71) (A)        | RS1/16SS0R0J    |   |
| R 1271                        | (B,124,83)    | RS1/16SS103J    |  | R 2232                        | (A,28,73) (A)        | RS1/16SS0R0J    |   |
| R 1272                        | (B,119,80)    | RS1/16SS684J    |  | R 2233                        | (A,28,72) (A)        | RS1/16SS0R0J    |   |
| R 1286                        | (B,119,82)    | RS1/16SS100J    |  | R 2234                        | (A,28,64) (A)        | RS1/16SS0R0J    | B |
| R 1287                        | (B,119,85)    | RS1/16SS102J    |  | R 2235                        | (A,29,64) (A)        | RS1/16SS0R0J    |   |
| R 1301                        | (A,96,110)    | RS1/16SS683J    |  | R 2236                        | (A,29,70) (A)        | RS1/16SS0R0J    |   |
| R 1302                        | (A,98,110)    | RS1/16SS683J    |  | R 2237                        | (A,35,70) (A)        | RS1/16SS0R0J    |   |
| R 1303                        | (A,97,112)    | RS1/16SS152J    |  | R 2242                        | (A,47,74)            | RS1/16SS0R0J    |   |
| R 1304                        | (A,97,113)    | RS1/16SS101J    |  | R 2243                        | (A,40,79)            | RS1/16SS0R0J    |   |
| R 1306                        | (A,74,111)    | RS1/16SS103J    |  | R 2244                        | (A,39,79)            | RS1/16SS0R0J    |   |
| R 1308                        | (A,92,101)    | RS1/16SS103J    |  | R 2245                        | (A,29,68) (A)        | RS1/16SS0R0J    |   |
| R 1309                        | (A,87,106)    | RS1/16SS104J    |  | R 2246                        | (A,81,65)            | RS1/10SR0R0J    |   |
| R 1310                        | (A,86,107)    | RS1/16SS473J    |  | R 2247                        | (B,81,7)             | RS1/10SR0R0J    |   |
| R 1314                        | (A,81,110)    | RS1/16SS473J    |  | R 2401                        | (B,165,91)           | RS1/16SS752J    |   |
| R 1315                        | (A,81,112)    | RS1/16SS102J    |  | R 2402                        | (B,158,96)           | RS1/16SS102J    | C |
| R 1316                        | (A,76,111)    | RS1/16SS0R0J    |  | R 2403                        | (B,159,96)           | RS1/16SS102J    |   |
| R 2004                        | (B,32,36) (A) | RS1/16SS102J    |  | R 2404                        | (B,156,96)           | RS1/16SS102J    |   |
| R 2008                        | (B,32,55) (A) | RS1/16SS102J    |  | R 2405                        | (B,163,80)           | RS1/16SS224J    |   |
| R 2009                        | (B,34,41)     | RS1/16SS102J    |  | R 2406                        | (B,160,80)           | RS1/16SS1202D   |   |
| R 2015                        | (A,69,85)     | RS1/4SA0R0J     |  | R 2407                        | (B,162,93)           | RS1/16SS152J    |   |
| R 2110                        | (A,22,16) (A) | RS1/16SS0R0J    |  | R 2408                        | (B,161,93)           | RS1/16SS3302D   |   |
| R 2111                        | (A,21,16) (A) | RS1/16SS0R0J    |  | R 2409                        | (B,165,92)           | RS1/16SS8201D   |   |
| R 2112                        | (A,18,16) (A) | RS1/16SS0R0J    |  | R 2410                        | (B,157,96)           | RS1/16SS102J    |   |
| R 2128                        | (A,28,45) (A) | RS1/16SS103J    |  | R 2413                        | (B,167,87)           | RS1/16SS394J    |   |
| R 2134                        | (A,23,52) (A) | RS1/16SS221J    |  | R 2414                        | (B,166,87)           | RS1/16SS204J    |   |
| R 2135                        | (A,23,51) (A) | RS1/16SS221J    |  | R 2416                        | (B,160,81)           | RS1/16SS0R0J    | D |
| R 2136                        | (A,23,50) (A) | RS1/16SS221J    |  | R 2420                        | (B,167,86)           | RS1/16SS104J    |   |
| R 2137                        | (A,22,49) (A) | RS1/16SS221J    |  | R 2421                        | (A,170,84) 0.039 ohm | CCN1325         |   |
| R 2138                        | (A,26,41) (A) | RS1/16SS0R0J    |  | R 2505                        | (A,157,14)           | RS1/16SS471J    |   |
| R 2139                        | (A,26,42) (A) | RS1/16SS0R0J    |  | R 2506                        | (A,156,12)           | RS1/16SS221J    |   |
| R 2140                        | (A,26,43) (A) | RS1/16SS0R0J    |  | R 2507                        | (A,155,12)           | RS1/16SS221J    |   |
| R 2141                        | (A,26,44) (A) | RS1/16SS0R0J    |  | R 2508                        | (A,154,16)           | RS1/16SS221J    |   |
| R 2142                        | (A,22,39) (A) | RS1/16SS0R0J    |  | R 2509                        | (A,153,15)           | RS1/16SS221J    |   |
| R 2143                        | (A,23,38) (A) | RS1/16SS0R0J    |  | R 2510                        | (A,152,12)           | RS1/16SS221J    |   |
| R 2144                        | (A,22,37) (A) | RS1/16SS0R0J    |  | R 2511                        | (A,144,30)           | RS1/10SR121J    |   |
| R 2145                        | (A,22,36) (A) | RS1/16SS0R0J    |  | R 2516                        | (B,147,15)           | RS1/10SR0R0J    |   |
| R 2204                        | (A,45,72)     | RS1/16SS103J    |  | R 2901                        | (A,63,16)            | RS1/16SS102J    | E |
| R 2206                        | (A,44,72)     | RS1/16SS103J    |  | R 2906                        | (A,69,16)            | RS1/16SS101J    |   |
| R 2207                        | (A,44,68)     | RS1/16SS472J    |  | R 2908                        | (B,47,11)            | RS1/16SS102J    |   |
| R 2208                        | (A,43,66)     | RS1/16SS472J    |  | R 2912                        | (A,55,15)            | RS1/16SS271J    |   |
| R 2209                        | (A,43,70)     | RS1/16SS101J    |  | R 2913                        | (A,55,16)            | RS1/16SS271J    |   |
| R 2210                        | (A,42,70)     | RS1/16SS101J    |  | R 2915                        | (A,55,17)            | RS1/16SS271J    |   |
| R 2212                        | (A,30,83)     | RS1/16SS391J    |  | R 2917                        | (A,49,16)            | RS1/16SS0R0J    |   |
| R 2213                        | (B,22,102)    | RS1/16SS105J    |  | R 2918                        | (A,46,16)            | RS1/16SS222J    |   |
| R 2214                        | (A,29,89)     | RS1/16SS105J    |  | R 2919                        | (A,48,18)            | RS1/16SS0R0J    |   |
| R 2215                        | (A,38,67) (A) | RS1/16SS0R0J    |  | R 2920                        | (A,44,16)            | RS1/16SS102J    |   |
| R 2216                        | (A,38,69) (A) | RS1/16SS0R0J    |  | R 2921                        | (A,43,16)            | RS1/16SS102J    |   |
| R 2217                        | (A,37,69) (A) | RS1/16SS0R0J    |  | R 3058                        | (B,80,87)            | RS1/16SS562J    | F |
| R 2218                        | (A,36,71) (A) | RS1/16SS0R0J    |  | R 3059                        | (B,78,87)            | RS1/16SS332J    |   |
| R 2220                        | (A,26,70) (A) | RS1/16SS182J    |  | R 3060                        | (B,78,83)            | RS1/16SS103J    |   |

1

**Circuit Symbol and No.**

2

**Part No.**

3

**Circuit Symbol and No.**

4

**Part No.****CAPACITORS**

|   |        |             |               |       |            |               |              |
|---|--------|-------------|---------------|-------|------------|---------------|--------------|
|   | R 3061 | (B,76,83)   | RS1/16SS103J  |       |            |               |              |
|   | R 3062 | (B,80,85)   | RS1/10SR222J  |       |            |               |              |
|   | R 3118 | (A,30,111)  | RS1/16SS223J  |       |            |               |              |
| A | R 3119 | (A,31,111)  | RS1/16SS223J  | C 1   | (B,66,124) |               | CKSRYB104K50 |
|   | R 3126 | (A,30,110)  | RS1/16SS103J  | C 4   | (A,163,61) | 4 700 uF/16 V | CCH1328      |
|   | R 3127 | (A,32,106)  | RS1/16SS122J  | C 5   | (A,166,73) | 10 uF         | CCG1236      |
|   | R 3128 | (A,28,108)  | RS1/16SS152J  | C 6   | (A,164,71) |               | CKSSYB102K50 |
|   | R 3129 | (A,23,110)  | RS1/16SS0R0J  | C 7   | (B,49,120) |               | CCSSCH102J50 |
|   | R 3152 | (A,148,107) | RS1/16SS223J  | C 8   | (B,50,108) |               | CCSSCH102J50 |
|   | R 3153 | (A,147,106) | RS1/16SS223J  | C 9   | (B,47,120) |               | CCSSCH102J50 |
|   | R 3162 | (A,144,104) | RS1/16SS223J  | C 10  | (B,49,108) |               | CCSSCH102J50 |
|   | R 3164 | (A,142,104) | RS1/16SS223J  | C 11  | (B,53,106) |               | CKSSYB102K50 |
|   | R 3168 | (A,135,103) | RS1/16SS223J  | C 12  | (B,44,120) |               | CCSSCH102J50 |
| B | R 3171 | (A,133,103) | RS1/16SS223J  | C 13  | (B,48,108) |               | CCSSCH102J50 |
|   | R 3174 | (A,125,103) | RS1/16SS223J  | C 14  | (B,42,120) |               | CCSSCH102J50 |
|   | R 3177 | (A,124,103) | RS1/16SS223J  | C 15  | (B,47,108) |               | CCSSCH102J50 |
|   | R 3193 | (B,154,104) | RS1/16SS103J  | C 16  | (B,51,108) |               | CKSSYB102K50 |
|   | R 3194 | (B,155,98)  | RS1/16SS2402D | C 17  | (B,52,120) |               | CKSSYB102K50 |
|   | R 3195 | (B,152,102) | RS1/16SS102J  | C 18  | (B,59,122) |               | CKSSYB102K50 |
|   | R 3196 | (B,158,103) | RS1/16SS103J  | C 19  | (B,54,120) |               | CKSSYB102K50 |
|   | R 3197 | (B,155,104) | RS1/16SS103J  | C 21  | (B,61,127) |               | CKSRYB105K10 |
|   | R 3221 | (B,73,73)   | RS1/16SS0R0J  | C 23  | (B,66,122) |               | CKSSYB102K50 |
|   | R 3222 | (B,79,71)   | RS1/16SS271J  | C 24  | (B,68,106) |               | CKSSYB102K50 |
|   | R 3223 | (B,78,70)   | RS1/16SS684J  | C 41  | (A,71,119) |               | CKSSYB104K16 |
| C | R 3224 | (B,75,73)   | RS1/16SS1802D | C 101 | (A,60,90)  |               | XCEHAT331M16 |
|   | R 3225 | (B,78,72)   | RS1/16SS1302D | C 102 | (B,49,105) |               | CKSRYB104K50 |
|   | R 3226 | (B,72,70)   | RS1/16SS682J  | C 103 | (B,47,101) |               | CKSSYB104K10 |
|   | R 3227 | (B,72,71)   | RS1/16SS103J  | C 104 | (A,69,92)  |               | CEVW470M16   |
|   | R 3229 | (A,72,46)   | RS1/16SS0R0J  | C 111 | (A,93,90)  |               | CKSQYB105K25 |
|   | R 3231 | (B,98,79)   | RS1/16SS101J  | C 112 | (A,100,88) |               | CKSSYB104K16 |
|   | R 3232 | (B,107,67)  | RS1/16SS101J  | C 114 | (A,95,90)  |               | CKSRYB104K50 |
|   | R 3233 | (B,91,76)   | RS1/16SS101J  | C 115 | (A,110,91) | 4.7 uF        | CCG1222      |
|   | R 4008 | (A,94,27)   | RAB4CQ750J    | C 116 | (A,112,95) |               | CCSRCH101J50 |
|   | R 4009 | (B,128,38)  | RS1/16SS223J  | C 141 | (A,121,59) |               | CKSRYB105K10 |
|   | R 4010 | (B,127,37)  | RS1/16SS223J  | C 142 | (A,123,63) |               | CKSRYB105K10 |
| D | R 4011 | (B,124,38)  | RS1/16SS562J  | C 143 | (A,125,63) |               | CKSSYB104K10 |
|   | R 4012 | (B,153,20)  | RS1/16SS102J  | C 160 | (B,160,74) | 10 uF         | DCH1201      |
|   | R 4013 | (B,148,20)  | RS1/16SS102J  | C 161 | (B,158,75) | 10 uF         | DCH1201      |
|   | R 4014 | (B,146,20)  | RS1/16SS471J  | C 211 | (B,130,35) |               | CKSSYB102K50 |
|   | R 4015 | (B,140,20)  | RS1/16SS471J  | C 212 | (B,119,33) |               | CKSSYB104K10 |
|   | R 4019 | (B,125,40)  | RS1/16SS272J  | C 213 | (B,123,36) |               | CKSRYB105K16 |
|   | R 4020 | (B,123,40)  | RS1/16SS272J  | C 214 | (A,123,45) |               | CEVW101M16   |
|   | R 4033 | (B,46,28)   | RS1/16SS471J  | C 231 | (B,123,69) |               | CKSRYB105K10 |
|   | R 4034 | (B,43,28)   | RS1/16SS223J  | C 232 | (B,117,69) |               | CKSRYB105K10 |
|   | R 4035 | (B,44,27)   | RS1/16SS223J  | C 241 | (B,78,23)  |               | CKSRYB105K10 |
|   | R 4036 | (B,42,29)   | RS1/16SS181J  | C 242 | (B,75,18)  |               | CKSRYB105K10 |
| E | R 4037 | (B,42,27)   | RS1/16SS181J  | C 243 | (B,72,25)  |               | CKSSYB104K10 |
|   | R 4038 | (B,7,30)    | RS1/10SR822J  | C 271 | (B,146,25) |               | CKSRYB105K16 |
|   | R 4039 | (B,20,31)   | RS1/10SR471J  | C 272 | (B,146,31) |               | CKSRYB105K16 |
|   | R 4045 | (B,7,28)    | RS1/16SS104J  | C 301 | (B,151,39) |               | CCSSCH471J50 |
|   | R 4048 | (B,156,45)  | RS1/16SS75R0D | C 302 | (B,152,42) |               | CKSSYB103K16 |
|   | R 4054 | (B,67,38)   | RS1/16SS101J  | C 303 | (B,154,41) |               | CCSSCH8R0D50 |
|   | R 4055 | (B,61,33)   | RS1/16SS103J  | C 304 | (B,165,40) |               | CCSSCH8R0D50 |
|   | R 4058 | (B,51,26)   | RS1/16SS104J  | C 305 | (B,167,41) |               | CKSSYB103K16 |
|   | R 4059 | (B,30,24)   | RS1/16SS0R0J  | C 306 | (B,167,38) |               | CCSSCH102J50 |
|   | R 4060 | (B,31,20)   | RS1/16SS0R0J  | C 307 | (B,164,31) |               | CKSSYB102K50 |
| F | R 4061 | (B,30,25)   | RS1/16SS102J  | C 308 | (B,164,32) |               | CKSSYB104K10 |
|   | R 4062 | (B,33,20)   | RS1/16SS102J  | C 309 | (B,163,27) | 10 uF         | CCG1236      |
|   | R 4064 | (B,17,38)   | RS1/16SS471J  | C 310 | (B,163,29) | 10 uF         | CCG1236      |
|   | R 4065 | (B,142,26)  | RS1/16SS103J  | C 311 | (B,163,24) | 47 uF         | CCG1229      |

1

2

3

4

| 5                             |                  | 6               |  | 7                             |                   | 8               |   |
|-------------------------------|------------------|-----------------|--|-------------------------------|-------------------|-----------------|---|
| <u>Circuit Symbol and No.</u> |                  | <u>Part No.</u> |  | <u>Circuit Symbol and No.</u> |                   | <u>Part No.</u> |   |
| C 316                         | (B,165,37)       | CKSSYB104K10    |  | C 616                         | (B,72,60)         | CKSSYB104K10    |   |
| C 319                         | (B,165,42)       | CKSSYB104K16    |  | C 617                         | (A,74,60)         | CKSSYB104K10    |   |
| C 320                         | (B,151,43)       | CKSSYB104K16    |  | C 618                         | (B,79,58)         | CKSSYB104K10    |   |
| C 321                         | (B,153,37)       | CKSSYB104K10    |  | C 619                         | (B,77,56) 1 uF    | DCH1246         | A |
| C 322                         | (B,152,39)       | CKSRYB105K10    |  | C 620                         | (A,75,53) 1 uF    | DCH1246         |   |
| C 324                         | (B,156,27) 47 uF | CCG1229         |  | C 621                         | (A,74,52)         | CKSSYB104K10    |   |
| C 325                         | (B,157,30) 10 uF | CCG1192         |  | C 622                         | (A,75,51)         | CKSSYB104K10    |   |
| C 326                         | (B,157,32) 10 uF | CCG1192         |  | C 624                         | (A,73,48)         | CKSSYB104K10    |   |
| C 327                         | (B,158,33)       | CKSSYB104K10    |  | C 625                         | (A,75,47)         | CKSSYB104K10    |   |
| C 328                         | (B,158,34)       | CKSSYB102K50    |  | C 626                         | (A,74,42)         | CKSSYB104K10    |   |
| C 330                         | (B,161,46)       | CKSRYB473K50    |  | C 627                         | (A,75,42)         | CKSSYB104K10    |   |
| C 331                         | (B,159,46)       | CKSSYB102K50    |  | C 628                         | (A,75,36)         | CKSSYB104K10    |   |
| C 334                         | (B,159,49) 10 uF | CCG1236         |  | C 629                         | (A,74,35)         | CKSSYB104K10    |   |
| C 351                         | (A,159,51)       | CEVW470M16      |  | C 631                         | (B,81,31)         | CKSRYB104K16    | B |
| C 352                         | (A,153,52)       | CKSSYB103K16    |  | C 632                         | (B,84,31)         | CKSSYB104K10    |   |
| C 353                         | (A,153,53) 10 uF | CCG1192         |  | C 633                         | (B,86,31)         | CKSRYB104K16    |   |
| C 356                         | (B,154,59)       | CKSSYB682K25    |  | C 634                         | (B,89,31)         | CKSRYB104K16    |   |
| C 357                         | (B,158,60)       | CKSSYB103K16    |  | C 635                         | (A,93,29)         | CKSRYB104K16    |   |
| C 358                         | (B,160,69) 10 uF | CCG1236         |  | C 636                         | (A,98,27)         | CKSSYB104K10    |   |
| C 359                         | (B,156,70)       | CKSRYB103K50    |  | C 637                         | (A,98,29)         | CKSRYB104K16    |   |
| C 401                         | (A,52,53)        | CCSSCH100D50    |  | C 638                         | (A,101,29)        | CKSRYB104K16    |   |
| C 402                         | (A,47,50)        | CCSSCH120J50    |  | C 639                         | (A,108,34)        | CKSRYB104K16    |   |
| C 403                         | (A,45,53)        | CKSRYB105K10    |  | C 641                         | (A,108,37)        | CKSRYB104K16    |   |
| C 404                         | (A,45,52)        | CKSSYB104K10    |  | C 642                         | (A,109,40)        | CKSRYB104K16    |   |
| C 405                         | (A,42,53)        | CKSRYB105K10    |  | C 643                         | (A,108,41)        | CKSSYB104K10    | C |
| C 406                         | (A,43,52)        | CKSSYB104K10    |  | C 644                         | (A,108,42)        | CKSRYB104K16    |   |
| C 407                         | (A,44,50)        | CKSSYB104K10    |  | C 645                         | (A,108,45)        | CKSRYB104K16    |   |
| C 408                         | (A,35,45)        | CKSSYB104K10    |  | C 646                         | (A,109,49)        | CKSSYB104K10    |   |
| C 409                         | (A,37,29)        | CKSSYB104K10    |  | C 647                         | (A,108,50)        | CKSSYB104K10    |   |
| C 410                         | (A,35,29)        | CKSRYB105K10    |  | C 648                         | (A,107,53)        | CKSSYB104K10    |   |
| C 411                         | (A,128,43)       | CKSSYB104K10    |  | C 649                         | (A,107,59)        | CKSSYB104K10    |   |
| C 414                         | (A,50,25)        | CKSSYB104K10    |  | C 651                         | (B,87,34) 0.1 uF  | CCG1321         |   |
| C 415                         | (A,49,23)        | CKSRYB105K10    |  | C 652                         | (B,92,32)         | CCSSCH330J50    |   |
| C 419                         | (A,63,50) 0.1 uF | CCG1321         |  | C 653                         | (A,75,26)         | CCSSCH680J50    |   |
| C 420                         | (A,65,51)        | CKSSYB103K16    |  | C 654                         | (B,151,95)        | CKSRYB105K10    |   |
| C 421                         | (A,64,51)        | CCSSCH102J50    |  | C 655                         | (B,151,88)        | CKSSYB104K10    | D |
| C 422                         | (A,62,43)        | CKSSYB104K10    |  | C 656                         | (A,108,25)        | CCSRCH102J50    |   |
| C 423                         | (A,63,42)        | CKSRYB105K10    |  | C 657                         | (A,108,28) 0.1 uF | CCG1321         |   |
| C 424                         | (B,58,42)        | CKSSYB104K10    |  | C 658                         | (A,109,28)        | CCSRCH102J50    |   |
| C 425                         | (A,62,48)        | CKSSYB104K10    |  | C 661                         | (A,111,30) 10 uF  | DCH1201         |   |
| C 427                         | (A,62,53)        | CKSSYB104K10    |  | C 664                         | (A,111,25) 10 uF  | DCH1201         |   |
| C 429                         | (A,65,43)        | CKSSYB104K10    |  | C 668                         | (B,84,17)         | CCSSCH560J50    |   |
| C 430                         | (A,65,45)        | CKSSYB104K10    |  | C 669                         | (B,82,17)         | CCSSCH560J50    |   |
| C 432                         | (A,63,39)        | CKSSYB104K10    |  | C 670                         | (B,82,21)         | CCSSCH560J50    |   |
| C 433                         | (B,58,41)        | CKSSYB104K10    |  | C 671                         | (B,81,21)         | CCSSCH560J50    |   |
| C 436                         | (A,62,37)        | CCSSCH471J50    |  | C 672                         | (B,80,18)         | CCSSCH560J50    |   |
| C 601                         | (A,102,63)       | CKSSYB104K10    |  | C 673                         | (B,79,18)         | CCSSCH560J50    | E |
| C 602                         | (A,101,64)       | CKSRYB104K16    |  | C 674                         | (B,89,22)         | CCSSCH560J50    |   |
| C 603                         | (A,97,62)        | CKSSYB104K10    |  | C 675                         | (B,89,17)         | CCSSCH560J50    |   |
| C 604                         | (A,96,63)        | CKSSYB104K10    |  | C 676                         | (B,85,22)         | CCSSCH560J50    |   |
| C 605                         | (A,93,62)        | CKSSYB104K10    |  | C 677                         | (B,84,22)         | CCSSCH560J50    |   |
| C 606                         | (A,91,65)        | CKSSYB104K10    |  | C 678                         | (B,86,16)         | CCSSCH560J50    |   |
| C 607                         | (A,90,67)        | CKSRYB105K10    |  | C 679                         | (B,85,16)         | CCSSCH560J50    |   |
| C 608                         | (B,84,58)        | CKSSYB104K10    |  | C 680                         | (B,90,24)         | CCSSCH560J50    |   |
| C 609                         | (B,82,58)        | CKSRYB105K10    |  | C 681                         | (B,89,23)         | CCSSCH560J50    |   |
| C 610                         | (B,83,64)        | CKSSYB104K10    |  | C 682                         | (B,91,18)         | CCSSCH560J50    |   |
| C 611                         | (B,82,64)        | CKSSYB104K10    |  | C 683                         | (B,91,23)         | CCSSCH560J50    | F |
| C 612                         | (B,78,63)        | CKSSYB104K10    |  | C 684                         | (B,90,17)         | CCSSCH560J50    |   |
| C 613                         | (A,80,66)        | CCSSCH120J50    |  | C 685                         | (B,87,22)         | CCSSCH560J50    |   |
| C 614                         | (A,74,64)        | CCSSCH100D50    |  | C 687                         | (A,91,23)         | CCSSCH330J50    |   |

|   | 1                             | 2               | 3                             | 4               |
|---|-------------------------------|-----------------|-------------------------------|-----------------|
|   | <u>Circuit Symbol and No.</u> | <u>Part No.</u> | <u>Circuit Symbol and No.</u> | <u>Part No.</u> |
|   | C 691 (A,99,23)               | CCSSCH330J50    | C 1127 (B,127,48) 10 uF       | CCG1192         |
|   | C 692 (A,103,23)              | CCSSCH330J50    | C 1128 (B,131,47)             | CKSSYB104K10    |
|   | C 700 (A,109,33)              | CCSSCH8R0D50    | C 1129 (B,131,48)             | CKSSYB104K10    |
| A | C 821 (B,75,65) 10 uF         | CCG1192         | C 1132 (B,130,53) 10 uF       | CCG1192         |
|   | C 823 (A,84,65)               | CKSRYB105K10    | C 1133 (B,129,49) 10 uF       | CCG1192         |
|   | C 824 (A,83,68)               | CKSRYB105K10    | C 1135 (B,130,45)             | CCSSCH181J50    |
|   | C 851 (B,96,11)               | CKSSYB104K10    | C 1136 (B,143,54)             | CKSRYB105K10    |
|   | C 852 (B,96,13)               | CKSSYB104K10    | C 1137 (B,144,54)             | CKSRYB105K10    |
|   | C 853 (B,95,21)               | CKSSYB104K10    | C 1138 (B,145,54)             | CKSRYB105K10    |
|   | C 854 (B,97,20)               | CKSSYB104K10    | C 1201 (B,130,85)             | CKSRYB105K10    |
|   | C 855 (B,97,31)               | CKSSYB104K10    | C 1202 (A,135,88)             | CEVW470M16      |
|   | C 856 (B,111,20)              | CKSSYB104K10    | C 1203 (A,131,83)             | CKSSYB104K10    |
|   | C 857 (B,111,15)              | CKSSYB104K10    | C 1206 (A,125,77)             | CEVW470M16      |
| B | C 858 (B,113,23)              | CCSSCH8R0D50    | C 1207 (B,132,86)             | CKSRYB105K10    |
|   | C 871 (B,83,50)               | CKSSYB104K10    | C 1208 (B,131,89)             | CKSRYB105K10    |
|   | C 882 (B,84,40)               | CKSSYB104K10    | C 1209 (B,133,89)             | CKSRYB105K10    |
|   | C 891 (A,121,50)              | CKSSYB104K10    | C 1210 (B,133,92)             | CKSRYB105K10    |
|   | C 892 (A,122,52)              | CKSSYB104K10    | C 1211 (B,134,92)             | CKSRYB105K10    |
|   | C 893 (A,121,53)              | CKSSYB103K16    | C 1212 (B,135,89)             | CKSRYB105K10    |
|   | C 901 (B,109,61)              | CCSSCH560J50    | C 1213 (B,136,89)             | CKSRYB105K10    |
|   | C 902 (B,116,61) 10 uF        | CCG1192         | C 1214 (B,137,92)             | CKSRYB105K10    |
|   | C 903 (B,115,55)              | CKSSYB104K10    | C 1215 (B,138,92)             | CKSRYB105K10    |
|   | C 904 (B,108,49)              | CKSSYB103K16    | C 1216 (B,138,89)             | CKSRYB105K10    |
| C | C 905 (B,104,51)              | CKSSYB103K16    | C 1217 (B,140,89)             | CKSRYB105K10    |
|   | C 906 (B,104,49) 10 uF        | CCG1192         | C 1218 (B,140,92)             | CKSRYB105K10    |
|   | C 907 (B,106,50)              | CKSSYB103K16    | C 1219 (B,141,92)             | CKSRYB105K10    |
|   | C 908 (B,105,44) 10 uF        | CCG1192         | C 1220 (B,142,89)             | CKSRYB105K10    |
|   | C 909 (B,104,55)              | CKSSYB103K16    | C 1221 (B,144,88)             | CKSRYB105K10    |
|   | C 910 (B,111,62)              | CKSSYB104K10    | C 1222 (B,145,85)             | CKSRYB105K10    |
|   | C 912 (B,109,60)              | CKSSYB104K10    | C 1223 (A,143,77)             | CEVW470M16      |
|   | C 931 (B,95,79) 10 uF         | CCG1192         | C 1224 (A,133,76) 10 uF       | CCG1332         |
|   | C 932 (B,104,67) 10 uF        | CCG1192         | C 1225 (A,130,69)             | CKSSYB104K10    |
|   | C 933 (B,90,74) 10 uF         | CCG1192         | C 1226 (A,134,67)             | CEVW470M16      |
|   | C 934 (B,93,71) 10 uF         | CCG1192         | C 1228 (B,139,72)             | CKSSYB104K10    |
|   | C 935 (B,95,77) 10 uF         | CCG1192         | C 1229 (B,135,72)             | CKSSYB104K10    |
| D | C 936 (B,101,77) 10 uF        | CCG1192         | C 1231 (A,129,82)             | CCSSCH151J50    |
|   | C 937 (B,100,66)              | CKSSYB103K16    | C 1232 (A,129,83)             | CKSSYB102K50    |
|   | C 938 (A,88,64)               | CKSRYB105K10    | C 1234 (A,142,83)             | CCSSCH151J50    |
|   | C 939 (A,88,68)               | CKSRYB105K10    | C 1237 (B,126,78) 0.1 uF      | CCG1311         |
|   | C 940 (A,87,64)               | CKSRYB105K10    | C 1238 (B,147,79) 0.1 uF      | CCG1311         |
|   | C 941 (A,86,68)               | CKSRYB105K10    | C 1239 (A,142,94)             | CKSSYB102K50    |
|   | C 942 (A,85,64)               | CKSRYB105K10    | C 1271 (B,104,84) 1 uF        | CCG1255         |
|   | C 943 (A,85,68)               | CKSRYB105K10    | C 1272 (B,118,89) 1 uF        | CCG1325         |
|   | C 944 (A,118,65)              | CEVW470M16      | C 1273 (B,120,89) 1 uF        | CCG1325         |
|   | C 1101 (B,144,50)             | CKSRYB105K10    | C 1274 (B,122,89) 1 uF        | CCG1325         |
| E | C 1102 (B,144,49)             | CKSSYB104K10    | C 1275 (B,124,89) 1 uF        | CCG1325         |
|   | C 1106 (B,142,42)             | CKSSYB104K10    | C 1276 (B,125,89) 1 uF        | CCG1325         |
|   | C 1108 (B,141,42)             | CKSSYB104K10    | C 1277 (B,118,75) 1 uF        | CCG1255         |
|   | C 1110 (B,140,42)             | CKSSYB104K10    | C 1278 (B,120,80) 1 uF        | CCG1255         |
|   | C 1112 (B,139,42)             | CKSSYB104K10    | C 1279 (B,122,80) 1 uF        | CCG1255         |
|   | C 1114 (B,138,42)             | CKSSYB104K10    | C 1280 (B,106,80) 1 uF        | CCG1255         |
|   | C 1115 (B,134,58)             | CKSRYB105K10    | C 1282 (B,102,84) 1 uF        | CCG1255         |
|   | C 1116 (B,137,42)             | CKSSYB104K10    | C 1283 (B,127,89) 1 uF        | CCG1325         |
|   | C 1117 (B,133,58)             | CKSRYB105K10    | C 1301 (A,100,112) 4.7 uF     | CCG1201         |
|   | C 1118 (B,136,42)             | CKSSYB104K10    | C 1302 (B,91,107)             | CKSRYB103K50    |
|   | C 1119 (B,132,58)             | CKSRYB105K10    | C 1303 (B,85,107)             | CKSRYB103K50    |
| F | C 1120 (B,135,42)             | CKSSYB104K10    | C 1304 (B,93,108)             | CKSRYB474K16    |
|   | C 1122 (B,134,42)             | CKSSYB104K10    | C 1305 (B,83,108)             | CKSRYB474K16    |
|   | C 1124 (B,133,42)             | CKSSYB104K10    | C 1306 (A,93,111)             | CKSQYB225K16    |
|   | C 1126 (B,132,42)             | CKSSYB104K10    | C 1307 (A,87,111) 4.7 uF      | CCG1291         |

| 5                             |                         | 6               |  | 7                             |                    | 8               |   |
|-------------------------------|-------------------------|-----------------|--|-------------------------------|--------------------|-----------------|---|
| <u>Circuit Symbol and No.</u> |                         | <u>Part No.</u> |  | <u>Circuit Symbol and No.</u> |                    | <u>Part No.</u> |   |
| C 1308                        | (A,82,109)              | CKSRYB104K50    |  | C 3006                        | (A,94,9) 10 uF     | CCG1192         |   |
| C 1313                        | (A,82,97) 4 700 uF/16 V | CCH2085         |  | C 3007                        | (A,85,10)          | CEVW101M16      |   |
| C 1315                        | (A,85,112) 0.1 uF       | CCG1311         |  | C 3125                        | (A,32,108)         | CKSSYB471K50    |   |
| C 1316                        | (A,84,108) 10 uF        | CCG1192         |  | C 3126                        | (A,52,62)          | CCSSCH102J50    | A |
| C 1318                        | (B,89,107)              | CKSQYB474K25    |  | C 3127                        | (B,25,129)         | CKSRYB102K50    |   |
| C 1319                        | (B,87,107)              | CKSQYB474K25    |  | C 3128                        | (B,32,129)         | CKSRYB102K50    |   |
| C 1320                        | (A,89,111) 4.7 uF       | CCG1291         |  | C 3129                        | (B,34,129)         | CKSRYB102K50    |   |
| C 2002                        | (B,27,34) (A)           | CKSRYB105K10    |  | C 3130                        | (B,26,129)         | CCSSCH101J50    |   |
| C 2003                        | (B,28,54) (A)           | CKSRYB105K10    |  | C 3151                        | (A,161,105)        | CKSRYB104K50    |   |
| C 2004                        | (B,27,26) (A)           | CKSRYB105K10    |  | C 3152                        | (A,151,105)        | CKSRYB104K50    |   |
| C 2005                        | (B,28,47) (A)           | CKSRYB105K10    |  | C 3154                        | (A,137,107)        | CKSRYB104K50    |   |
| C 2010                        | (A,34,57)               | CKSRYB105K10    |  | C 3156                        | (B,144,97)         | CCSSCH271J50    |   |
| C 2011                        | (A,42,59)               | CKSRYB105K10    |  | C 3157                        | (B,145,92)         | CKSRYB102K50    |   |
| C 2014                        | (B,32,50) (A)           | CKSSYB104K10    |  | C 3161                        | (A,144,105)        | CCSSCH270J50    | B |
| C 2017                        | (A,34,60)               | CKSSYB104K10    |  | C 3162                        | (A,142,105)        | CCSSCH270J50    |   |
| C 2018                        | (B,30,26) (A)           | CKSSYB104K10    |  | C 3163                        | (A,135,104)        | CCSSCH270J50    |   |
| C 2105                        | (B,25,57) 10 uF(A)      | DCH1201         |  | C 3164                        | (A,133,104)        | CCSSCH270J50    |   |
| C 2107                        | (B,26,38) 10 uF(A)      | DCH1201         |  | C 3165                        | (A,125,104)        | CCSSCH270J50    |   |
| C 2111                        | (A,12,48) (A)           | CKSSYB104K10    |  | C 3166                        | (A,124,104)        | CCSSCH270J50    |   |
| C 2202                        | (A,50,61)               | CKSSYB104K10    |  | C 3167                        | (A,147,103) 4.7 uF | CCG1201         |   |
| C 2203                        | (A,50,65)               | CKSSYB104K10    |  | C 3168                        | (A,139,103) 4.7 uF | CCG1201         |   |
| C 2204                        | (A,51,64) 10 uF         | DCH1201         |  | C 3169                        | (A,137,103) 4.7 uF | CCG1201         |   |
| C 2205                        | (A,40,65) 10 uF         | DCH1201         |  | C 3170                        | (A,130,103) 4.7 uF | CCG1201         |   |
| C 2206                        | (A,43,77)               | CKSSYB104K10    |  | C 3171                        | (A,128,103) 4.7 uF | CCG1201         |   |
| C 2208                        | (A,41,78)               | CKSSYB224K6R3   |  | C 3172                        | (A,121,103) 4.7 uF | CCG1201         | C |
| C 2209                        | (A,41,79)               | CKSSYB102K50    |  | C 3191                        | (B,160,98) 10 uF   | DCH1201         |   |
| C 2210                        | (A,37,77)               | CKSSYB104K10    |  | C 3192                        | (B,154,97)         | CKSSYB104K10    |   |
| C 2212                        | (A,36,90)               | CCSSCH220J50    |  | C 3221                        | (B,75,72)          | CKSSYB104K10    |   |
| C 2213                        | (A,36,89)               | CCSSCH271J50    |  | C 3222                        | (B,77,72)          | CKSSYB104K10    |   |
| C 2216                        | (A,40,70)               | CKSSYB104K10    |  | C 3231                        | (B,80,72)          | CKSSYB104K10    |   |
| C 2219                        | (A,32,80)               | CCSSCH102J50    |  | C 3232                        | (B,113,73) 10 uF   | CCG1192         |   |
| C 2220                        | (A,33,92)               | CCSSCH471J50    |  | C 3233                        | (B,88,76)          | CKSSYB104K10    |   |
| C 2224                        | (A,35,75)               | CKSSYB152K50    |  | C 3234                        | (B,113,71)         | CKSSYB104K10    |   |
| C 2234                        | (A,34,93)               | CCSSCH100D50    |  | C 3235                        | (B,99,79)          | CKSSYB104K10    |   |
| C 2238                        | (A,51,78)               | CKSSYB102K50    |  | C 3236                        | (B,86,72)          | CKSRYB105K10    |   |
| C 2401                        | (B,166,90)              | CKSSYB222K50    |  | C 3237                        | (B,86,74)          | CKSRYB105K10    | D |
| C 2402                        | (B,165,90)              | CCSSCH270J50    |  | C 3238                        | (B,92,81)          | CKSRYB105K10    |   |
| C 2403                        | (B,157,81)              | CKSSYB104K16    |  | C 3239                        | (B,89,81)          | CKSRYB105K10    |   |
| C 2404                        | (A,159,92)              | CEVW470M16      |  | C 3240                        | (B,110,72)         | CKSRYB105K10    |   |
| C 2405                        | (A,167,92)              | CEVW101M16      |  | C 3241                        | (B,108,68)         | CKSRYB105K10    |   |
| C 2406                        | (B,166,88)              | CKSRYB105K10    |  | C 3242                        | (B,95,82)          | CKSRYB105K10    |   |
| C 2407                        | (B,162,80)              | CKSSYB102K50    |  | C 3243                        | (B,95,81)          | CKSRYB105K10    |   |
| C 2408                        | (B,164,80)              | CKSSYB472K25    |  | C 4001                        | (B,28,34)          | CKSSYB104K10    |   |
| C 2409                        | (B,159,80)              | CKSSYB104K16    |  | C 4002                        | (B,22,36)          | CKSSYB104K10    |   |
| C 2410                        | (B,163,92)              | CCSSCH681J50    |  | C 4010                        | (B,62,14)          | CKSSYB102K50    |   |
| C 2412                        | (B,160,92) 0.1 uF       | CCG1286         |  | C 4011                        | (B,61,12)          | CKSSYB102K50    |   |
| C 2414                        | (A,170,87)              | CKSSYB104K10    |  | C 4013                        | (A,9,27)           | CKSRYB104K50    | E |
| C 2415                        | (A,166,84) 22 uF        | CCG1254         |  | C 4014                        | (B,143,40)         | CKSSYB102K50    |   |
| C 2504                        | (B,163,13)              | CKSSYB104K16    |  | C 4015                        | (B,150,20)         | CKSSYB102K50    |   |
| C 2506                        | (B,154,9)               | CCSSCH221J50    |  | C 4016                        | (B,151,20)         | CKSSYB102K50    |   |
| C 2509                        | (A,141,25)              | CKSSYB104K10    |  | C 4017                        | (B,144,20)         | CCSSCH180J50    |   |
| C 2512                        | (A,143,32)              | CCSSCH390J50    |  | C 4018                        | (B,142,20)         | CCSSCH180J50    |   |
| C 2513                        | (A,166,15) 10 uF        | DCH1201         |  | C 4019                        | (B,73,27)          | CKSSYB102K50    |   |
| C 2514                        | (A,167,15) 10 uF        | DCH1201         |  | C 4020                        | (B,73,30)          | CKSSYB102K50    |   |
| C 2902                        | (B,46,9) 4.7 uF         | CCG1201         |  | C 4023                        | (B,144,27)         | CKSSYB102K50    |   |
| C 2904                        | (B,49,13) 4.7 uF        | CCG1201         |  | C 4024                        | (B,66,36)          | CKSSYB104K10    |   |
| C 2905                        | (B,46,7)                | CKSSYB104K10    |  | C 4026                        | (B,56,34)          | CKSSYB104K10    | F |
| C 2906                        | (B,45,13)               | CKSSYB104K10    |  | C 4039                        | (B,157,44)         | CKSSYB221K50    |   |
| C 2907                        | (A,31,20)               | CEVW221M16      |  | C 4040                        | (B,158,45)         | CKSSYB102K50    |   |
| C 2909                        | (A,47,16)               | CKSRYB105K10    |  | C 4041                        | (A,126,30)         | CCSRCH102J50    |   |

**1**  
**Circuit Symbol and No.**

**2**  
**Part No.**

**3**  
**Circuit Symbol and No.**

**4**  
**Part No.**

**B**

**Unit Number: CXX7234**

**Unit Name : Service Unit(Monitor)**

**MISCELLANEOUS**

IC 5001 (A,116,22) Interface IC AK4187VN  
 IC 5101 (A,115,53) Display IC OZ527ILN  
 IC 5201 (A,28,57) DC/DC CONV IC R1290K103A  
 Q 5001 (A,128,26) Chip Transistor HN1C01FU  
 Q 5002 (A,136,26) Chip Transistor HN1C01FU

Q 5003 (A,131,30) Chip Transistor HN1C01FU  
 Q 5201 (A,33,63) Resistor Built-IN TR LTC024EEB  
 Q 5202 (A,21,59) Transistor 2SAR502UB  
 Q 5301 (A,39,58) Bipolar TR LSAR523UB  
 Q 5302 (A,42,54) Bipolar TR LSCR523UB

D 5005 (A,137,19) Diode DZ2S068C  
 D 5006 (A,138,19) Diode DZ2S068C  
 D 5101 (A,114,59) Diode RB060M-30  
 D 5201 (A,23,50) Schottky Diode RB162M-40  
 D 5202 (B,23,67) Schottky Diode DB3S308F0

D 5203 (B,25,66) Schottky Diode DB3S308F0  
 D 5204 (B,21,61) Schottky Diode DB3S308F0  
 L 5102 (A,109,60) Inductor ATH7068  
 L 5201 (A,23,54) Choke Coil 22 uH CTH1426  
 L 5301 (A,23,45) Inductor CTF1635

TH5001 (A,79,5) Thermistor CCX1084  
 CN5001 (A,123,11) FFC/FPC Connector CKS6625  
 CN5002 (A,129,52) FFC/FPC Connector CKS6635  
 CN5003 (A,59,63) FFC/FPC Connector CKS6646  
 CN5004 (A,141,12) FFC/FPC Connector CKS6635

CN5301 (A,35,25) FFC/FPC Connector CKS6646  
 CN5501 (A,22,5) FFC/FPC Connector CKS6421

**RESISTORS**

R 5006 (A,118,19) RS1/16SS241J  
 R 5010 (A,120,21) RS1/16SS681J  
 R 5011 (A,120,23) RS1/16SS181J  
 R 5012 (A,119,25) RS1/16SS560J  
 R 5021 (A,129,25) RS1/16SS1200D

R 5022 (A,129,24) RS1/16SS39R0D  
 R 5024 (A,137,24) RS1/16SS82R0D  
 R 5025 (A,137,23) RS1/16SS56R0D  
 R 5027 (A,132,28) RS1/16SS82R0D  
 R 5028 (A,133,28) RS1/16SS39R0D

R 5030 (A,130,26) RS1/16SS272J  
 R 5031 (A,139,26) RS1/16SS272J  
 R 5032 (A,133,30) RS1/16SS272J  
 R 5033 (A,78,9) RS1/16SS183J  
 R 5038 (A,125,26) RS1/16SS272J

R 5039 (A,126,28) RS1/16SS1200D  
 R 5040 (A,127,28) RS1/16SS39R0D  
 R 5041 (A,134,26) RS1/16SS272J  
 R 5042 (A,134,27) RS1/16SS82R0D  
 R 5043 (A,135,28) RS1/16SS56R0D

R 5044 (A,128,30) RS1/16SS272J  
 R 5045 (A,129,32) RS1/16SS82R0D  
 R 5046 (A,130,32) RS1/16SS39R0D  
 R 5104 (B,116,56) RS1/16SS104J

R 5105 (B,112,50)  
 R 5106 (B,109,55)  
 R 5109 (A,113,48)  
 R 5110 (A,116,48)  
 R 5111 (A,117,48)  
 R 5112 (A,119,56)

R 5113 (A,119,55)  
 R 5114 (A,121,55)  
 R 5119 (B,121,57)  
 R 5121 (B,122,55)  
 R 5123 (A,112,56)

R 5201 (A,31,63)  
 R 5202 (A,31,61)  
 R 5203 (A,32,62)  
 R 5206 (B,25,58)  
 R 5207 (B,31,60)

R 5208 (B,31,59)  
 R 5209 (B,31,55)  
 R 5210 (A,22,58)  
 R 5211 (A,34,58)  
 R 5212 (B,27,61)

R 5213 (B,28,62)  
 R 5214 (A,21,50)  
 R 5216 (A,33,52)  
 R 5217 (A,33,54)  
 R 5218 (A,34,54)

R 5219 (A,32,52)  
 R 5220 (A,30,51)  
 R 5231 (A,22,63)  
 R 5232 (A,18,59)  
 R 5301 (A,63,16)

R 5302 (A,65,16)  
 R 5303 (A,66,16)  
 R 5304 (A,65,17)  
 R 5305 (A,66,18)  
 R 5307 (A,66,20)

R 5308 (A,65,21)  
 R 5309 (A,66,22)  
 R 5310 (A,65,23)  
 R 5311 (A,66,24)  
 R 5313 (A,66,26)

R 5314 (A,65,27)  
 R 5315 (A,66,28)  
 R 5316 (A,65,29)  
 R 5317 (A,66,30)  
 R 5319 (A,66,32)

R 5320 (A,65,33)  
 R 5321 (A,66,34)  
 R 5322 (A,67,36)  
 R 5323 (B,30,27)  
 R 5324 (B,25,27)

R 5325 (B,27,28)  
 R 5326 (B,28,28)  
 R 5331 (A,40,61)  
 R 5333 (A,39,60)  
 R 5335 (A,41,57)

R 5336 (A,39,55)  
 R 5337 (A,38,54)  
 R 5339 (A,36,50)  
 R 5340 (A,42,56)

RS1/16SS104J  
 RS1/16SS102J  
 RS1/16SS563J  
 RS1/16SS104J  
 RS1/16SS101J  
 RS1/16SS102J

RS1/16SS3002D  
 RS1/16SS1001D  
 RS1/16SS105J  
 RS1/16SS683J  
 RS1/8SQ2R2J

RS1/16SS8201D  
 RS1/16SS6800D  
 RS1/16SS1502D  
 RS1/16SS9102D  
 RS1/16SS1802D

RS1/16SS203J  
 RS1/16SS104J  
 RS1/16SS103J  
 RS1/16SS472J  
 RS1/16SS1003D

RS1/16SS9101D  
 RS1/8SQ2R2J  
 RS1/16SS1203D  
 RS1/16SS3001D  
 RS1/16SS1502D

RS1/16SS472J  
 RS1/16SS0R0J  
 RS1/16SS103J  
 RS1/16SS332J  
 RS1/16SS4R7J

RS1/16SS56R0D  
 RS1/16SS1800D  
 RS1/16SS2R2J  
 RS1/16SS47R0D  
 RS1/16SS39R0D


RS1/16SS4R7J  
 RS1/16SS1000D  
 RS1/16SS8R2J  
 RS1/16SS1300D  
 RS1/16SS1000D

RS1/16SS8R2J  
 RS1/16SS39R0D  
 RS1/16SS4R7J  
 RS1/16SS47R0D  
 RS1/16SS1800D

RS1/16SS2R2J  
 RS1/16SS33R0D  
 RS1/16SS2R4J  
 RS1/16SS473J  
 RS1/16SS473J

RS1/16SS473J  
 RS1/16SS473J  
 RS1/16SS153J  
 RS1/16SS105J  
 RS1/16SS153J

RS1/16SS472J  
 RS1/16SS101J  
 RS1/8SQ0R0J  
 RS1/16SS393J

| 5                             | 6               | 7                                                                                                                                                  | 8                |
|-------------------------------|-----------------|----------------------------------------------------------------------------------------------------------------------------------------------------|------------------|
| <u>Circuit Symbol and No.</u> | <u>Part No.</u> | <u>Circuit Symbol and No.</u>                                                                                                                      | <u>Part No.</u>  |
| R 5341 (A,40,56)              | RS1/16SS124J    | C 5335 (A,16,39) 4.7 uF                                                                                                                            | CCG1222          |
| <b>CAPACITORS</b>             |                 |                                                                                                                                                    |                  |
| C 5001 (B,124,17)             | CKSSYB103K16    | C 5337 (A,16,44)                                                                                                                                   | CKSQYB225K16     |
| C 5002 (B,123,15)             | CKSSYB103K16    | C 5340 (A,11,41)                                                                                                                                   | CKSQYB334K50     |
| C 5003 (B,122,15)             | CKSSYB103K16    | C 5342 (A,21,30) 1 uF                                                                                                                              | DCH1246          |
| C 5004 (B,120,18)             | CKSSYB103K16    | C 5343 (A,39,61)                                                                                                                                   | CKSSYB104K10     |
| C 5005 (A,115,18) 10 uF       | CCG1244         | C 5344 (A,39,51) 10 uF                                                                                                                             | CCG1236          |
| C 5006 (A,115,26) 10 uF       | CCG1244         |  <b>Unit Number : CWX4609</b><br><b>Unit Name : DVD Core Unit</b> |                  |
| C 5007 (A,113,22)             | CKSSYB104K10    |                                                                                                                                                    |                  |
| C 5008 (A,116,19)             | CKSSYB104K10    | <b>MISCELLANEOUS</b>                                                                                                                               |                  |
| C 5015 (A,79,6)               | CKSSYB104K10    | IC 1002 (B,15,13) Regulator IC                                                                                                                     | MM1886A50P       |
| C 5016 (A,79,9)               | CKSSYB104K10    | IC 1004 (B,64,28) IC                                                                                                                               | NJM2855DL1-33    |
| C 5017 (A,116,18) 1 uF        | DCH1246         | IC 1251 (A,12,41) IC                                                                                                                               | BA5839FP         |
| C 5018 (A,112,22) 1 uF        | DCH1246         | IC 1401 (B,28,40) Flash Memory IC                                                                                                                  | S99-50243D       |
| C 5101 (A,91,58) 10 uF        | CCG1236         | IC 1402 (B,46,28) Flash Memory IC                                                                                                                  | S99-50243D       |
| C 5103 (A,101,58) 10 uF       | CCG1236         | IC 1480 (A,65,30) RAM IC                                                                                                                           | M12L64164A-5TG2Y |
| C 5104 (A,103,58) 10 uF       | CCG1236         | IC 1501 (A,39,33) IC                                                                                                                               | MN2DS0018MA      |
| C 5105 (A,112,51)             | CKSRYB105K16    | IC 1953 (B,57,17) IC                                                                                                                               | S-1135D12-A6     |
| C 5106 (A,110,53)             | CKSRYB105K16    | Q 1101 (B,13,59) Bipolar TR                                                                                                                        | LSCR523UB        |
| C 5108 (A,114,48)             | CKSRYB105K10    | Q 1102 (B,14,56) Bipolar TR                                                                                                                        | LSCR523UB        |
| C 5109 (A,115,48)             | CCSSCH101J50    | Q 1103 (B,10,62) Transistor                                                                                                                        | 2SB1132          |
| C 5110 (A,120,60) 10 uF       | CCG1236         | Q 1104 (B,22,54) Transistor                                                                                                                        | 2SB1132          |
| C 5113 (A,121,56)             | CKSRYB224K16    | L 1501 (A,54,30) Inductor                                                                                                                          | CTF1743          |
| C 5120 (A,110,56)             | CKSSYB332K50    | L 1511 (A,48,17) Chip Beads                                                                                                                        | VTL1126          |
| C 5201 (A,35,59)              | CKSSYB224K6R3   | L 1902 (A,18,17) Inductor                                                                                                                          | CTF1487          |
| C 5203 (A,36,62)              | CKSRYB105K10    | L 1903 (B,64,16) Inductor                                                                                                                          | CTF1558          |
| C 5204 (A,35,60)              | CKSSYB224K6R3   | L 1904 (A,68,18) Resistor                                                                                                                          | RS1/16SS0R0J     |
| C 5205 (A,28,62)              | CKSRYB224K16    | X 1501 (B,48,18) Crystal Resonator 27.000 MHz                                                                                                      | CSS1823          |
| C 5206 (A,20,48)              | CKSSYB472K50    | F 1001 (A,14,19) Chip EMI Filter                                                                                                                   | DTF1106          |
| C 5207 (A,28,52)              | CKSSYB102K50    | F 1002 (B,64,18) Chip EMI Filter                                                                                                                   | DTL1106          |
| C 5208 (B,19,62)              | CKSRYB105K16    | S 1 (A,47,55) Lever Switch                                                                                                                         | CSN1090          |
| C 5209 (B,31,53)              | CKSRYB105K10    | S 3 (B,26,13) Lever Switch                                                                                                                         | CSN1089          |
| C 5210 (B,26,68)              | CKSQYB105K25    | VR1101 (A,7,63) Semi-fixed                                                                                                                         | CCP1447          |
| C 5212 (B,27,65)              | CKSQYB105K25    | VR1102 (A,7,59) Semi-fixed 15 kohm(B)                                                                                                              | CCP1449          |
| C 5213 (B,22,59)              | CKSRYB104K50    | CN1101 (A,21,63) FFC/FPC Connector                                                                                                                 | CKS6631          |
| C 5214 (B,23,64)              | CKSRYB104K50    | CN1952 (A,42,11) Connector                                                                                                                         | CKS6025          |
| C 5215 (B,25,64)              | CKSRYB104K50    | <b>RESISTORS</b>                                                                                                                                   |                  |
| C 5217 (A,25,63)              | CKSYB475K16     | R 1004 (B,12,20)                                                                                                                                   | RS1/16SS4702F    |
| C 5218 (A,34,56)              | CKSRYB682K50    | R 1007 (B,12,21)                                                                                                                                   | RS1/16SS6801F    |
| C 5219 (A,19,52) 4.7 uF       | CCG1212         | R 1019 (B,34,7)                                                                                                                                    | RS1/16SS101J     |
| C 5220 (A,30,63)              | CCSSCH101J50    | R 1025 (B,36,6)                                                                                                                                    | RS1/16SS101J     |
| C 5221 (B,27,62)              | CKSSYB561K50    | R 1027 (A,40,18)                                                                                                                                   | RS1/16SS101J     |
| C 5222 (A,25,49)              | CKSYB475K16     | R 1101 (B,15,57)                                                                                                                                   | RS1/16SS104J     |
| C 5224 (A,32,54)              | CKSSYB152K50    | R 1102 (B,11,56)                                                                                                                                   | RS1/16SS104J     |
| C 5301 (A,68,16)              | CKSSYB102K50    | R 1103 (B,14,61)                                                                                                                                   | RS1/16SS4300F    |
| C 5302 (A,68,17)              | CKSSYB104K16    | R 1104 (B,11,58)                                                                                                                                   | RS1/16SS5100F    |
| C 5309 (A,68,24)              | CKSSYB102K50    | R 1105 (B,17,54)                                                                                                                                   | RS1/16SS4300F    |
| C 5310 (A,68,25)              | CKSSYB104K16    | R 1106 (B,10,57)                                                                                                                                   | RS1/16SS5600F    |
| C 5311 (A,68,26)              | CKSSYB102K50    | R 1109 (B,6,57)                                                                                                                                    | RS1/16SS3R3J     |
| C 5312 (A,68,27)              | CKSSYB104K10    | R 1110 (B,16,54)                                                                                                                                   | RS1/16SS3R3J     |
| C 5321 (B,30,32)              | CKSSYB102K50    | R 1111 (B,6,63)                                                                                                                                    | RS1/10SR3R3J     |
| C 5323 (B,30,33)              | CKSSYB104K16    | R 1112 (B,5,58)                                                                                                                                    | RS1/10SR3R3J     |
| C 5325 (A,24,41) 10 uF        | CCG1236         | R 1113 (B,15,59)                                                                                                                                   | RS1/10SR3R9J     |
| C 5326 (A,25,45)              | CKSSYB102K50    | R 1114 (B,19,57)                                                                                                                                   | RS1/10SR3R3J     |
| C 5329 (B,28,32)              | CKSSYB102K50    | R 1115 (B,6,61)                                                                                                                                    | RS1/10SR2R7J     |
| C 5330 (B,27,32)              | CKSSYB104K10    | R 1116 (B,6,62)                                                                                                                                    | RS1/10SR2R7J     |
| C 5331 (A,19,41) 10 uF        | CCG1192         |                                                                                                                                                    |                  |
| C 5334 (B,23,32)              | CKSSYB104K16    |                                                                                                                                                    |                  |

|   | 1                             | 2               | 3                             | 4               |
|---|-------------------------------|-----------------|-------------------------------|-----------------|
|   | <u>Circuit Symbol and No.</u> | <u>Part No.</u> | <u>Circuit Symbol and No.</u> | <u>Part No.</u> |
|   | R 1117 (B,18,59)              | RS1/10SR3R9J    | R 1602 (A,32,18)              | RS1/16SS123J    |
|   | R 1118 (B,16,59)              | RS1/10SR3R9J    | R 1603 (B,31,20)              | RS1/16SS1002D   |
| A | R 1223 (A,42,50)              | RS1/16SS561J    | R 1604 (A,24,21)              | RS1/16SS105J    |
|   | R 1225 (B,29,7)               | RS1/16SS471J    | R 1605 (A,22,23)              | RS1/16SS105J    |
|   | R 1251 (A,6,48)               | RS1/16SS333J    | R 1670 (B,40,19)              | RS1/16SS1002D   |
|   | R 1252 (A,6,47)               | RS1/16SS473J    | R 1671 (B,43,19)              | RS1/16SS2402D   |
|   | R 1253 (A,6,46)               | RS1/16SS333J    | R 1672 (A,39,18)              | RS1/16SS2000D   |
|   | R 1254 (A,6,45)               | RS1/16SS473J    | R 1674 (A,38,17)              | RS1/16SS3002D   |
|   | R 1255 (A,22,48)              | RS1/16SS183J    | R 1982 (A,10,62)              | RS1/16SS822J    |
|   | R 1256 (A,21,45)              | RS1/16SS153J    | R 1983 (B,41,19)              | RS1/16SS1000D   |
|   | R 1257 (B,8,37)               | RS1/16SS221J    | R 1990 (B,35,19)              | RS1/16SS2000D   |
|   | R 1258 (A,19,39)              | RS1/16SS221J    | R 1991 (B,31,16)              | RS1/16SS101J    |
|   | R 1401 (B,34,28)              | RS1/16SS221J    | R 1996 (B,36,13)              | RS1/16SS2000D   |
| B | R 1402 (B,35,47)              | RS1/16SS104J    | R 1997 (B,36,10)              | RS1/16SS101J    |
|   | R 1405 (B,55,35)              | RS1/16SS104J    | R 2002 (B,43,10)              | RS1/16SS2000D   |
|   | R 1406 (B,39,45)              | RS1/16SS472J    | R 2003 (B,43,8)               | RS1/16SS101J    |
|   | R 1480 (A,73,24)              | RAB4CQ560J      | <b>CAPACITORS</b>             |                 |
|   | R 1481 (A,73,28)              | RAB4CQ560J      | C 1002 (B,13,17)              | CKSSYB104K16    |
|   | R 1482 (A,73,32)              | RAB4CQ560J      | C 1003 (B,16,18)              | CKSSYB104K16    |
|   | R 1483 (A,73,35)              | RAB4CQ560J      | C 1004 (B,15,17) 4.7 uF       | CCG1201         |
|   | R 1484 (A,73,39)              | RAB4CQ560J      | C 1005 (B,41,11)              | CKSRYB105K16    |
|   | R 1485 (A,55,22)              | RAB4CQ560J      | C 1010 (B,60,23)              | CKSQYB225K10    |
|   | R 1486 (A,56,27)              | RAB4CQ560J      |                               |                 |
|   | R 1487 (A,56,37)              | RAB4CQ560J      | C 1011 (B,64,22)              | CKSRYB105K10    |
| C | R 1488 (A,56,40)              | RAB4CQ560J      | C 1015 (A,26,7)               | CKSSYB102K50    |
|   | R 1489 (A,54,29)              | RS1/16SS560J    | C 1016 (B,64,15)              | CKSSYB102K50    |
|   | R 1490 (A,73,21)              | RS1/16SS560J    | C 1018 (B,14,21)              | CKSSYB104K10    |
|   | R 1501 (B,49,20)              | RS1/16SS122J    | C 1040 (B,59,12)              | CCSRCH821J50    |
|   | R 1503 (B,47,20)              | RS1/16SS105J    | C 1041 (B,19,12)              | CCSRCH271J50    |
|   | R 1504 (A,50,17)              | RS1/16SS121J    | C 1101 (B,15,53) 10 uF        | CCG1192         |
|   | R 1509 (A,21,34)              | RS1/16SS102J    | C 1104 (B,8,57)               | CKSSYB104K10    |
|   | R 1510 (A,11,29)              | RS1/16SS102J    | C 1105 (B,18,54)              | CKSSYB104K10    |
|   | R 1512 (A,55,31)              | RS1/16SS470J    | C 1106 (B,8,66)               | CKSSYB103K16    |
|   | R 1513 (A,23,38)              | RS1/16SS203J    | C 1107 (B,26,53)              | CKSSYB103K16    |
|   | R 1514 (A,25,40)              | RS1/16SS183J    | C 1108 (A,20,56)              | CKSSYB103K16    |
| D | R 1516 (A,25,36)              | RS1/16SS104J    | C 1109 (A,7,57)               | CKSRYB224K16    |
|   | R 1517 (B,58,22)              | RS1/16SS103J    | C 1110 (A,18,58)              | CKSSYB103K16    |
|   | R 1518 (B,34,31)              | RS1/16SS103J    | C 1111 (A,9,66)               | CKSRYB224K16    |
|   | R 1522 (A,21,37)              | RS1/16SS104J    | C 1112 (B,17,52) 22 uF        | DCH1256         |
|   | R 1523 (A,23,37)              | RS1/16SS221J    | C 1113 (B,9,58) 22 uF         | DCH1256         |
|   | R 1524 (B,29,33)              | RS1/16SS472J    | C 1210 (B,77,33)              | CKSSYB104K16    |
|   | R 1525 (A,25,44)              | RS1/16SS103J    | C 1251 (B,13,41)              | CEVW101M16      |
|   | R 1526 (A,23,40)              | RS1/16SS103J    | C 1252 (B,8,41) 4.7 uF        | CCG1222         |
|   | R 1527 (A,35,48)              | RS1/16SS682J    | C 1253 (B,8,39)               | CKSSYB104K16    |
|   | R 1528 (B,20,33)              | RS1/16SS103J    | C 1254 (A,6,37)               | CKSSYB104K16    |
| E | R 1529 (B,35,21)              | RS1/16SS103J    | C 1255 (A,19,37)              | CKSSYB104K16    |
|   | R 1530 (B,18,33)              | RS1/16SS103J    | C 1401 (B,34,27)              | CKSSYB104K16    |
|   | R 1531 (B,34,30)              | RS1/16SS103J    | C 1403 (B,39,40)              | CKSSYB104K10    |
|   | R 1533 (A,29,48)              | RS1/16SS104J    | C 1408 (B,58,27)              | CKSSYB104K10    |
|   | R 1534 (B,29,48)              | RS1/16SS221J    | C 1410 (B,34,29)              | CKSSYB104K16    |
|   | R 1535 (A,22,44)              | RS1/16SS104J    | C 1480 (A,71,19)              | CKSSYB104K10    |
|   | R 1536 (B,32,48)              | RS1/16SS104J    | C 1481 (A,73,22)              | CKSSYB104K10    |
|   | R 1537 (A,25,46)              | RS1/16SS104J    | C 1482 (A,72,26)              | CKSSYB104K10    |
|   | R 1538 (A,56,35)              | RS1/16SS104J    | C 1484 (A,73,30)              | CKSSYB104K10    |
|   | R 1539 (B,34,48)              | RS1/16SS104J    | C 1485 (A,73,41)              | CKSSYB104K10    |
|   | R 1540 (A,26,46)              | RS1/16SS221J    | C 1487 (A,58,29)              | CKSSYB104K10    |
| F | R 1541 (A,26,45)              | RS1/16SS221J    | C 1488 (A,57,25)              | CKSSYB104K10    |
|   | R 1542 (B,27,34)              | RS1/16SS103J    | C 1489 (A,65,17) 10 uF        | CCG1192         |
|   | R 1546 (A,33,48)              | RS1/16SS682J    | C 1490 (A,66,18)              | CKSSYB102K50    |
|   | R 1601 (A,32,17)              | RS1/16SS123J    |                               |                 |

| 5                             |                  | 6               |  |
|-------------------------------|------------------|-----------------|--|
| <u>Circuit Symbol and No.</u> |                  | <u>Part No.</u> |  |
| C 1501                        | (B,62,20) 10 uF  | CCG1192         |  |
| C 1502                        | (B,55,19) 10 uF  | CCG1192         |  |
| C 1503                        | (A,54,33)        | CKSSYB104K10    |  |
| C 1504                        | (A,54,24)        | CKSSYB104K10    |  |
| C 1505                        | (A,54,27)        | CKSSYB104K10    |  |
| C 1506                        | (B,53,34)        | CKSSYB104K10    |  |
| C 1507                        | (A,54,36)        | CKSSYB104K10    |  |
| C 1508                        | (A,54,38)        | CKSSYB104K10    |  |
| C 1509                        | (A,54,42)        | CKSSYB104K10    |  |
| C 1510                        | (B,51,18)        | CCSSCH120J50    |  |
| C 1511                        | (A,49,18)        | CKSSYB104K10    |  |
| C 1512                        | (B,46,18)        | CCSSCH120J50    |  |
| C 1513                        | (A,48,47)        | CKSSYB104K10    |  |
| C 1514                        | (B,45,20)        | CKSSYB104K10    |  |
| C 1515                        | (A,44,19)        | CKSSYB104K10    |  |
| C 1516                        | (A,44,47)        | CKSSYB104K10    |  |
| C 1517                        | (A,42,47)        | CKSSYB104K10    |  |
| C 1518                        | (A,38,47)        | CKSSYB104K10    |  |
| C 1519                        | (A,34,47)        | CKSSYB104K10    |  |
| C 1520                        | (A,27,47)        | CKSSYB104K10    |  |
| C 1521                        | (A,25,33)        | CKSSYB104K10    |  |
| C 1522                        | (A,25,38)        | CKSSYB104K10    |  |
| C 1523                        | (A,20,45)        | CKSSYB104K10    |  |
| C 1524                        | (A,21,48)        | CKSSYB473K16    |  |
| C 1526                        | (A,25,37)        | CKSSYB103K16    |  |
| C 1528                        | (B,30,48)        | CCSSCH471J50    |  |
| C 1601                        | (A,32,19)        | CKSSYB103K16    |  |
| C 1602                        | (A,34,17)        | CCSSCH101J50    |  |
| C 1603                        | (A,34,18)        | CCSSCH101J50    |  |
| C 1604                        | (A,30,17)        | CCSSCH680J50    |  |
| C 1605                        | (A,30,18)        | CCSSCH680J50    |  |
| C 1606                        | (A,35,19)        | CKSSYB104K10    |  |
| C 1607                        | (A,20,24) 10 uF  | CCG1192         |  |
| C 1608                        | (A,28,18) 4.7 uF | CCG1201         |  |
| C 1609                        | (A,26,22)        | CKSSYB104K10    |  |
| C 1612                        | (A,24,24)        | CKSSYB104K10    |  |
| C 1613                        | (A,25,25)        | CKSSYB104K10    |  |
| C 1614                        | (A,23,24)        | CKSSYB104K10    |  |
| C 1615                        | (A,23,26)        | CKSSYB104K10    |  |
| C 1616                        | (A,25,27)        | CKSSYB104K10    |  |
| C 1617                        | (B,27,28)        | CKSSYB104K10    |  |
| C 1618                        | (A,23,29)        | CCSSCH101J50    |  |
| C 1619                        | (A,23,30)        | CKSSYB562K25    |  |
| C 1620                        | (B,27,30)        | CKSSYB224K6R3   |  |
| C 1621                        | (A,23,31)        | CKSSYB224K6R3   |  |
| C 1622                        | (A,25,31)        | CKSSYB333K16    |  |
| C 1623                        | (A,27,20)        | CKSRYB105K10    |  |
| C 1624                        | (A,25,32)        | CKSSYB104K10    |  |
| C 1625                        | (A,25,29)        | CKSSYB104K10    |  |
| C 1671                        | (A,42,19)        | CKSSYB104K10    |  |
| C 1673                        | (A,37,17)        | CKSSYB104K10    |  |
| C 1674                        | (B,42,20)        | CKSSYB104K10    |  |
| C 1676                        | (B,38,20)        | CKSRYB105K10    |  |
| C 1809                        | (B,40,17)        | CKSSYB102K50    |  |
| C 1953                        | (B,60,17)        | CKSRYB105K10    |  |
| C 1954                        | (B,55,17)        | CKSRYB105K10    |  |
| C 1955                        | (B,77,40)        | CKSSYB104K16    |  |
| C 1962                        | (B,40,20)        | CKSRYB105K10    |  |

7  
**Circuit Symbol and No.**  
**Unit Number : CXX7236**  
**Unit Name : Service Unit(Keyboard)**

**MISCELLANEOUS**

| 7                             |                              | 8               |  |
|-------------------------------|------------------------------|-----------------|--|
| <u>Circuit Symbol and No.</u> |                              | <u>Part No.</u> |  |
| D 5501                        | (A,15,3) LED                 | SMLVN6RGB2UK(B) |  |
| D 5502                        | (A,151,3) LED                | SMLVN6RGB2UK(B) |  |
| D 5503                        | (A,70,3) Diode               | DZ2S068C        |  |
| S 5501                        | (A,158,4) Push SW            | CSG1196         |  |
| S 5502                        | (A,143,3) Push SW            | CSG1196         |  |
| S 5503                        | (A,65,3) Push SW             | CSG1196         |  |
| S 5504                        | (A,50,3) Push SW             | CSG1196         |  |
| S 5505                        | (A,35,3) Push SW             | CSG1196         |  |
| S 5506                        | (A,130,3) Push SW            | CSG1196         |  |
| S 5507                        | (A,116,3) Push SW            | CSG1196         |  |
| S 5508                        | (A,101,3) Push SW            | CSG1196         |  |
| S 5509                        | (A,83,5) Push SW             | CSG1196         |  |
| U 5501                        | (A,7,5) Remote Receiver Unit | RS-470          |  |

**RESISTORS**

|        |           |              |  |
|--------|-----------|--------------|--|
| R 5502 | (A,8,2)   | RS1/16SS470J |  |
| R 5503 | (A,96,2)  | RS1/16SS392J |  |
| R 5504 | (A,106,2) | RS1/16SS472J |  |
| R 5505 | (A,126,2) | RS1/16SS123J |  |
| R 5506 | (A,45,2)  | RS1/16SS182J |  |
| R 5507 | (A,59,2)  | RS1/16SS222J |  |
| R 5508 | (A,135,2) | RS1/16SS472J |  |
| R 5509 | (A,18,4)  | RS1/16SS150J |  |
| R 5510 | (A,148,4) | RS1/16SS150J |  |
| R 5511 | (A,15,6)  | RS1/16SS620J |  |
| R 5512 | (A,148,3) | RS1/16SS620J |  |
| R 5513 | (A,17,6)  | RS1/16SS390J |  |
| R 5514 | (A,148,2) | RS1/16SS390J |  |

**CAPACITORS**

|        |         |              |  |
|--------|---------|--------------|--|
| C 5507 | (A,6,2) | CKSSYB104K10 |  |
|--------|---------|--------------|--|

**F**  
**Unit Number : EXX2001**  
**Unit Name : PCB Unit(Service)**

**MISCELLANEOUS**

|        |                |          |  |
|--------|----------------|----------|--|
| IC 101 | Driver IC      | BA6288FS |  |
| VR101  | Volume 10 kohm | CCW1029  |  |
| S 101  | Switch(HOME)   | CSN1067  |  |
| S 102  | Switch(HOME)   | CSN1068  |  |
| CN101  | Connector      | CKS4997  |  |

**RESISTORS**

|       |  |             |  |
|-------|--|-------------|--|
| R 101 |  | RS1/16S221J |  |
| R 102 |  | RS1/16S221J |  |
| R 103 |  | RS1/16S0R0J |  |

**CAPACITORS**

|       |  |              |  |
|-------|--|--------------|--|
| C 101 |  | CEVW220M16   |  |
| C 102 |  | CKSRYB104K16 |  |