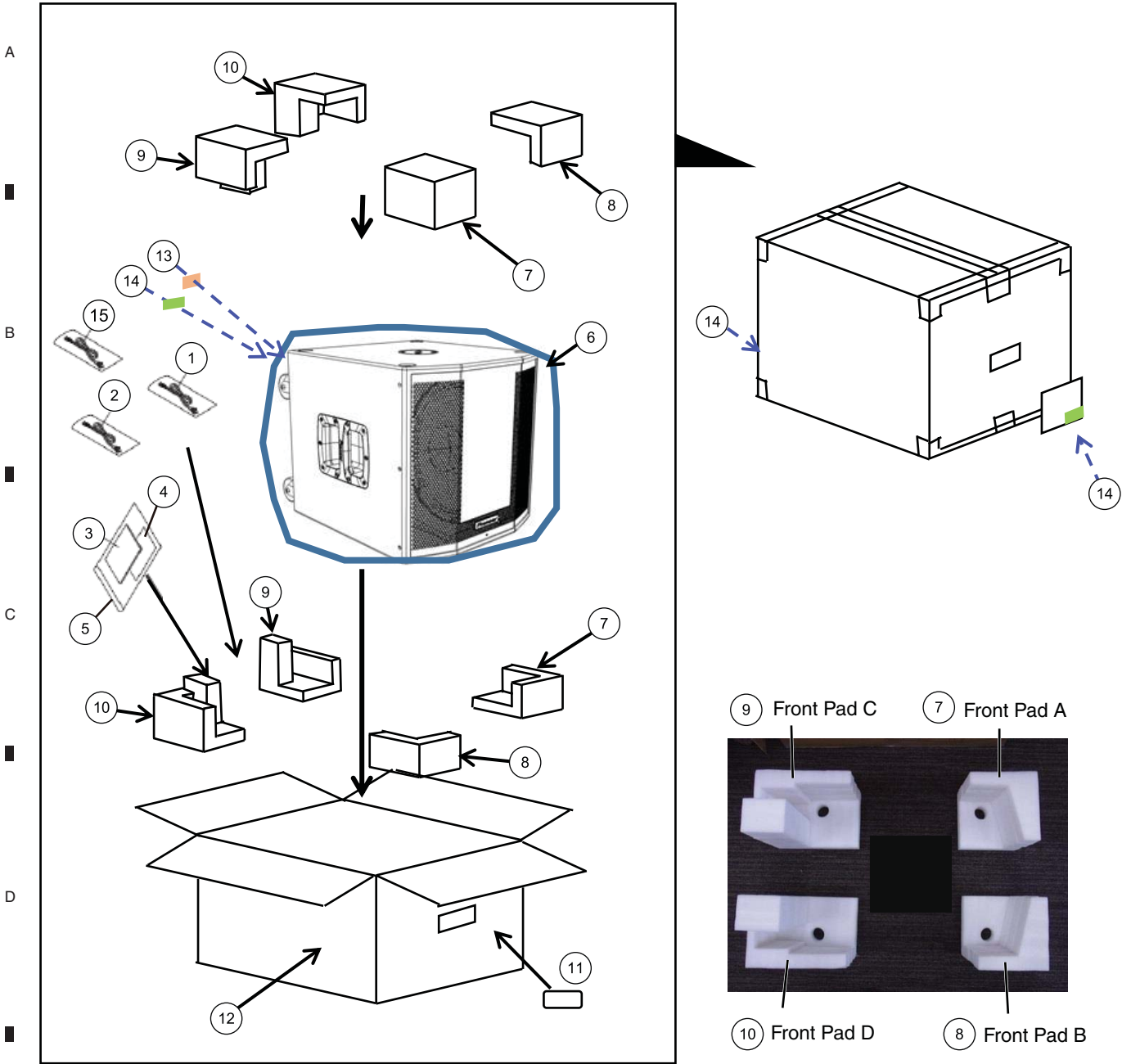


9.2 PACKING SECTION (XPRS115S)

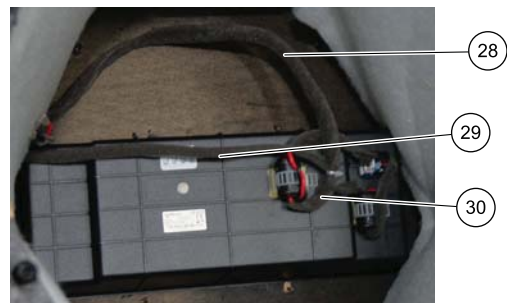
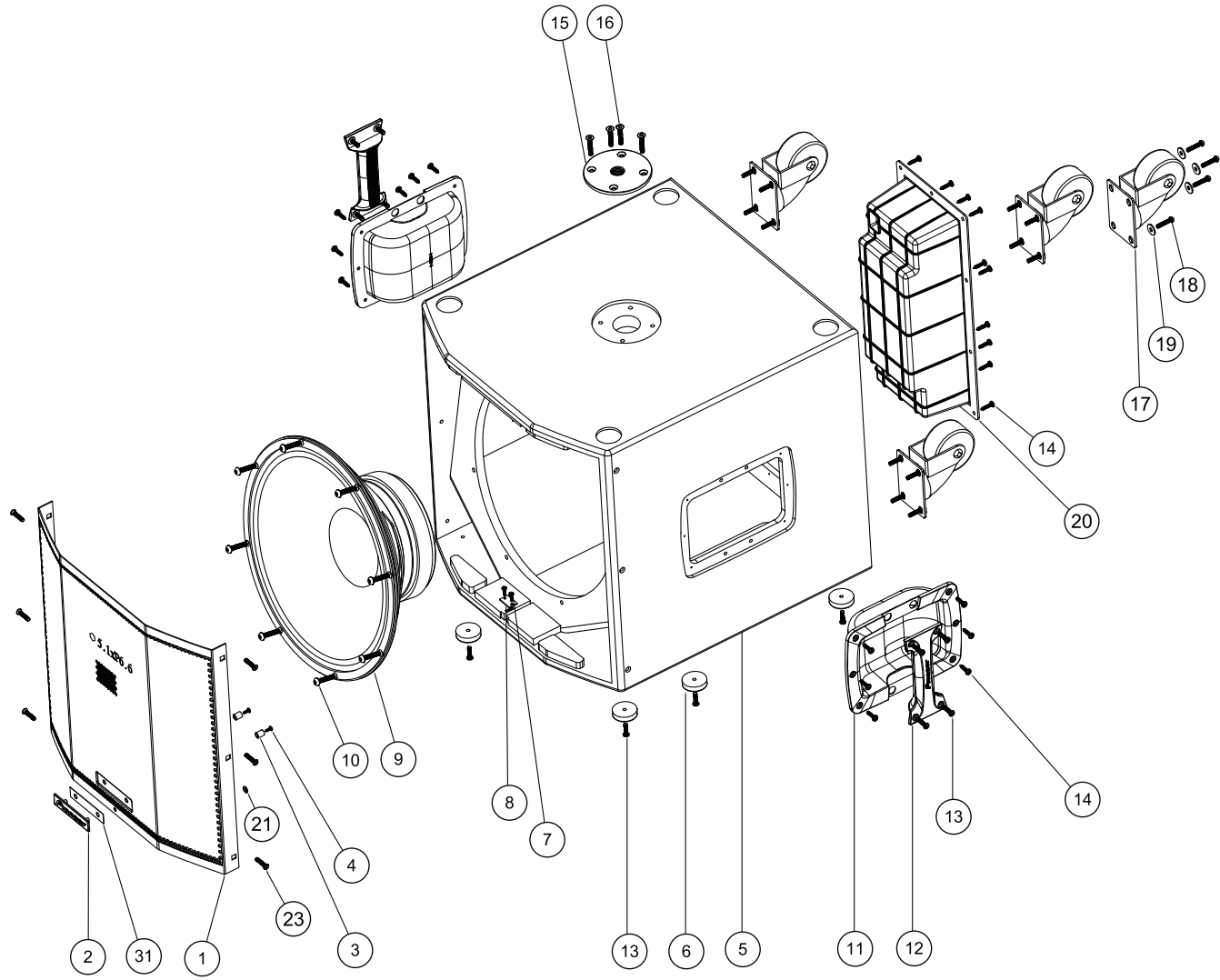


PACKING SECTION (XPRS115S) PARTS LIST

Mark No.	Description	Part No.	Mark No.	Description	Part No.
⚠ 1	Power Cord (US)	02000606	11	Carton Box Grip	00107023
⚠ 2	Power Cord (EU)	02000607	12	Packing Case	03602414
3	Operating Instructions	DRB1748	13	Model Label	03709059
4	Caution Sheet	DRM1416	NSP 14	Serial Label	-----
NSP 5	Polyethylene Bag	-----	⚠ 15	Power Cord (UK)	DDG1119
6	Polyethylene Bag	04500971			
7	Protector (Front Pad A)	04401334			
8	Protector (Front Pad B)	04401335			
9	Protector (Front Pad C)	04401336			
10	Protector (Front Pad D)	04401337			

5 6 7 8

9.4 MAIN SECTION (XPRS115S)



MAIN SECTION (XPRS115S) PARTS LIST

<u>Mark No.</u>	<u>Description</u>	<u>Part No.</u>	<u>Mark No.</u>	<u>Description</u>	<u>Part No.</u>
	1 Punching Net ASSY	AMS8109AASA129G	NSP 16	Screw (For Pole Socket)	-----
A	NSP 2 Badge	-----	17	Caster	01402070
	NSP 3 Badge Adapter	-----	18	Screw	08001426
	NSP 4 Screw for Badge	-----	19	Washer	08100355
	NSP 5 Cabinet	-----	⚠ 20	Amp Module	PF00V347
	6 Rubber Foot (Round Shape)	08600678	21	Lens	00107164
	7 Screw	08001427	22	-----	
	8 LED ASSY	06603310	23	Screw	08001851
	9 Woofer	00801391	24	Ferrite Core	06001023
	10 Screw	08001482	25	Band	08500143
B	11 Handle Cover	00106986	26	Gasket	08700759
	12 Handle	01401983	27	Gasket	08700938
	13 Screw	08001481	28	Speaker Cable	02201148
	14 Screw	08001428	29	Connecting Cable (LED)	02101373
NSP	15 Pole Socket	-----	30	Gasket	08701144
			NSP 31	Gasket	08701266

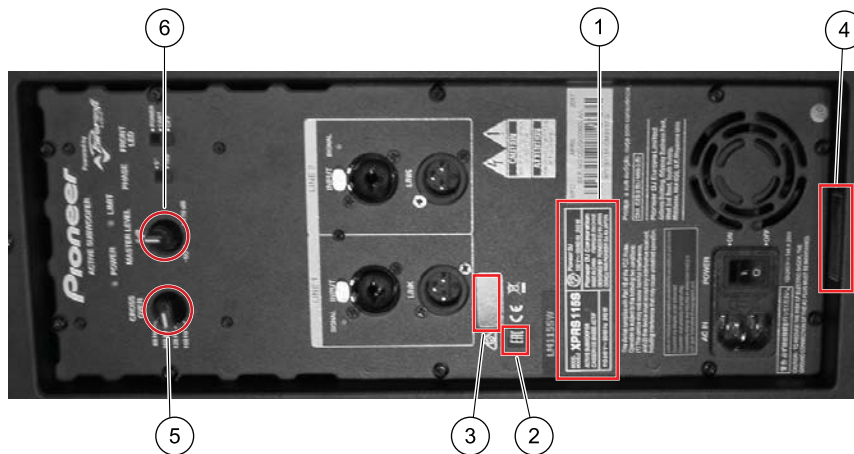
C

D

E

F

9.6 REAR SECTION (XPRS115S)



REAR SECTION (XPRS115S) PARTS LIST

<u>Mark No.</u>	<u>Description</u>	<u>Part No.</u>	<u>Mark No.</u>	<u>Description</u>	<u>Part No.</u>
1	Model Label	03709059	5	Knob (Switch)	MA000011.R
2	EAC Label	03708662	6	Knob (Volume)	MA000012.R
3	CSA Label	03709085			
4	PDJ Address Label	03708661			

■

D

■

E

■

F