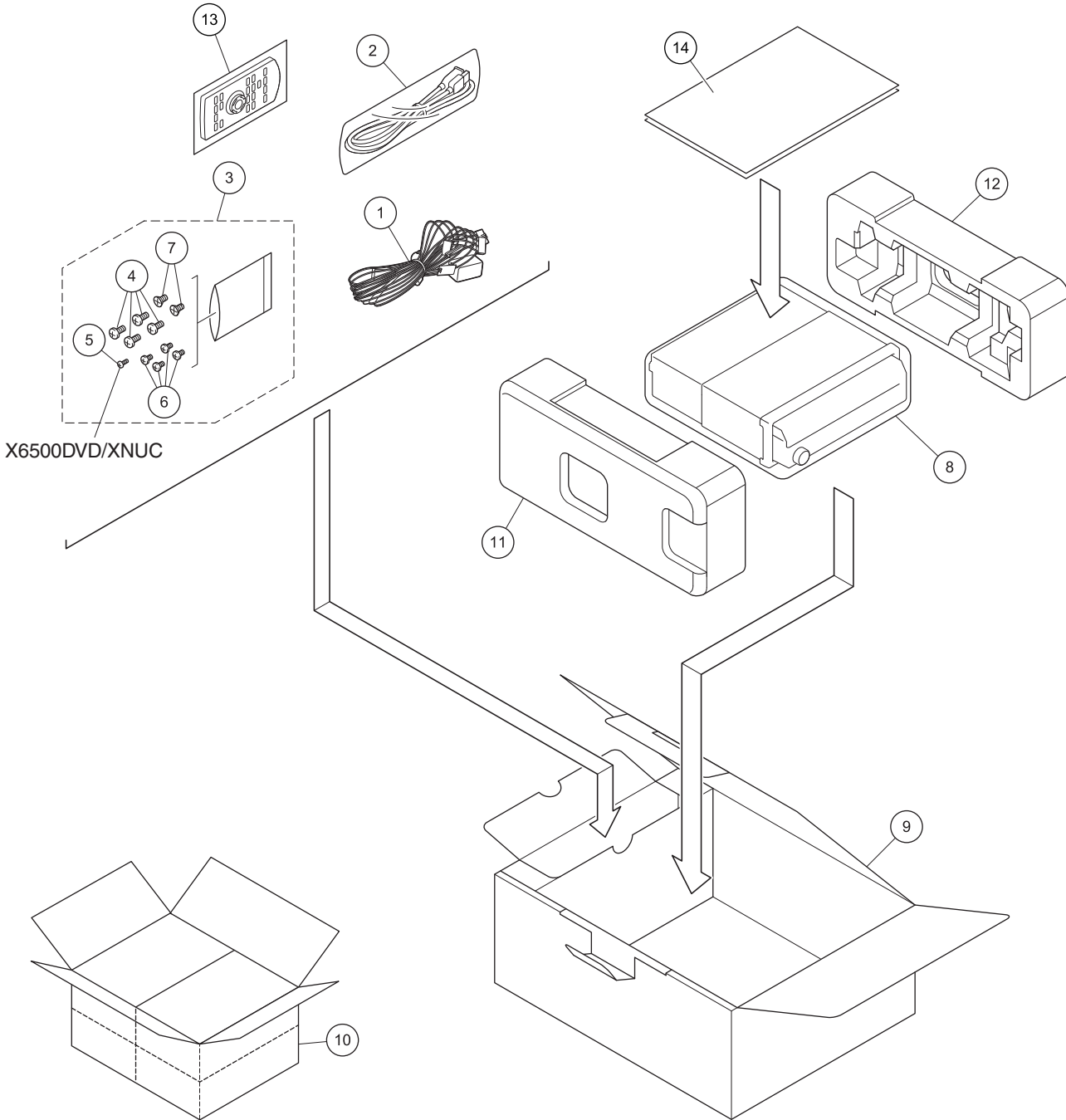


9. EXPLODED VIEWS AND PARTS LIST

NOTES : • Parts marked by "*" are generally unavailable because they are not in our Master Spare Parts List.

- The ⚠ mark found on some component parts indicates the importance of the safety factor of the part. Therefore, when replacing, be sure to use parts of identical designation.
- Screw adjacent to ∇ mark on the product are used for disassembly.
- For the applying amount of lubricants or glue, follow the instructions in this manual.
(In the case of no amount instructions, apply as you think it appropriate.)

9.1 PACKING



(1) PACKING SECTION PARTS LIST

<u>Mark No.</u>	<u>Description</u>	<u>Part No.</u>	<u>Mark No.</u>	<u>Description</u>	<u>Part No.</u>
1	Cord Assy	CDP1288	11	Protector	CHP4684
2	Cord Assy	CDP1585	12	Protector	CHP4685
3	Screw Assy	See Contrast table (2)	13	Card Remote Control Unit	CXE5116
4	Screw	BMZ50P060FTC	14-1	Owner's Manual	See Contrast table (2)
5	Screw	See Contrast table (2)	* 14-2	Warranty Card	See Contrast table (2)
6	Screw (M4 x 3)	CBA1870			
7	Screw	CMZ50P060FTC			
8	Polyethylene Bag	See Contrast table (2)			
9	Unit Box	See Contrast table (2)			
10	Contain Box	See Contrast table (2)			

(2) CONTRAST TABLE

AVH-X6500DVD/XNUC, AVH-X6550DVD/XNRC, AVH-X6550DVD/XNRD and AVH-X6550DVD/XNRI are constructed the same except for the following:

Mark	No.	Description	AVH-X6500DVD/ XNUC	AVH-X6550DVD/ XNRC	AVH-X6550DVD/ XNRD	AVH-X6550DVD/ XNRI
	3	Screw Assy	CEC4353	CEC2991	CEC2991	CEC2991
	5	Screw	BPZ20P060FTC	Not used	Not used	Not used
	8	Polyethylene Bag	CEG1544	CEG1474	CEG1474	CEG1474
	9	Unit Box	CHG8289	CHG8290	CHG8291	CHG8292
	10	Contain Box	CHL8289	CHL8290	CHL8291	CHL8292
	14-1	Owner's Manual	CRD4711	CRD4712	CRD4714	CRD4713
*	14-2	Warranty Card	QRY3001	Not used	Not used	Not used

Owner's Manual, Installation Manual

Part No.	Language
CRD4711	English, French, Spanish(Espanol)
CRD4712	English, Traditional Chinese
CRD4714	English, Spanish(Espanol), Portuguese(B)
CRD4713	English, Arabic, Persian

9.2 EXTERIOR (1)

1

2

3

4

A

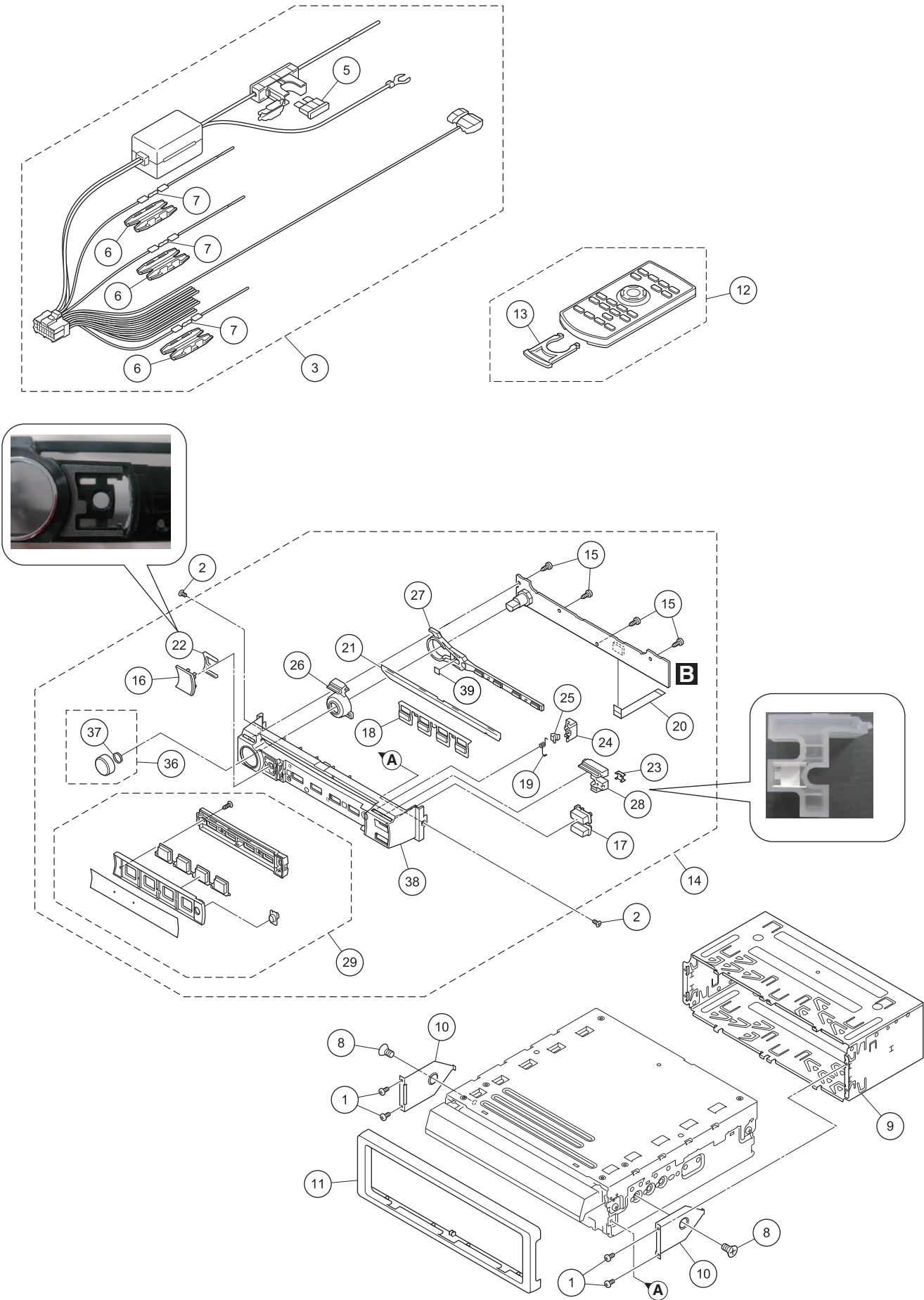
B

C

D

E

F




1

2

3

4

(1) EXTERIOR (1) SECTION PARTS LIST

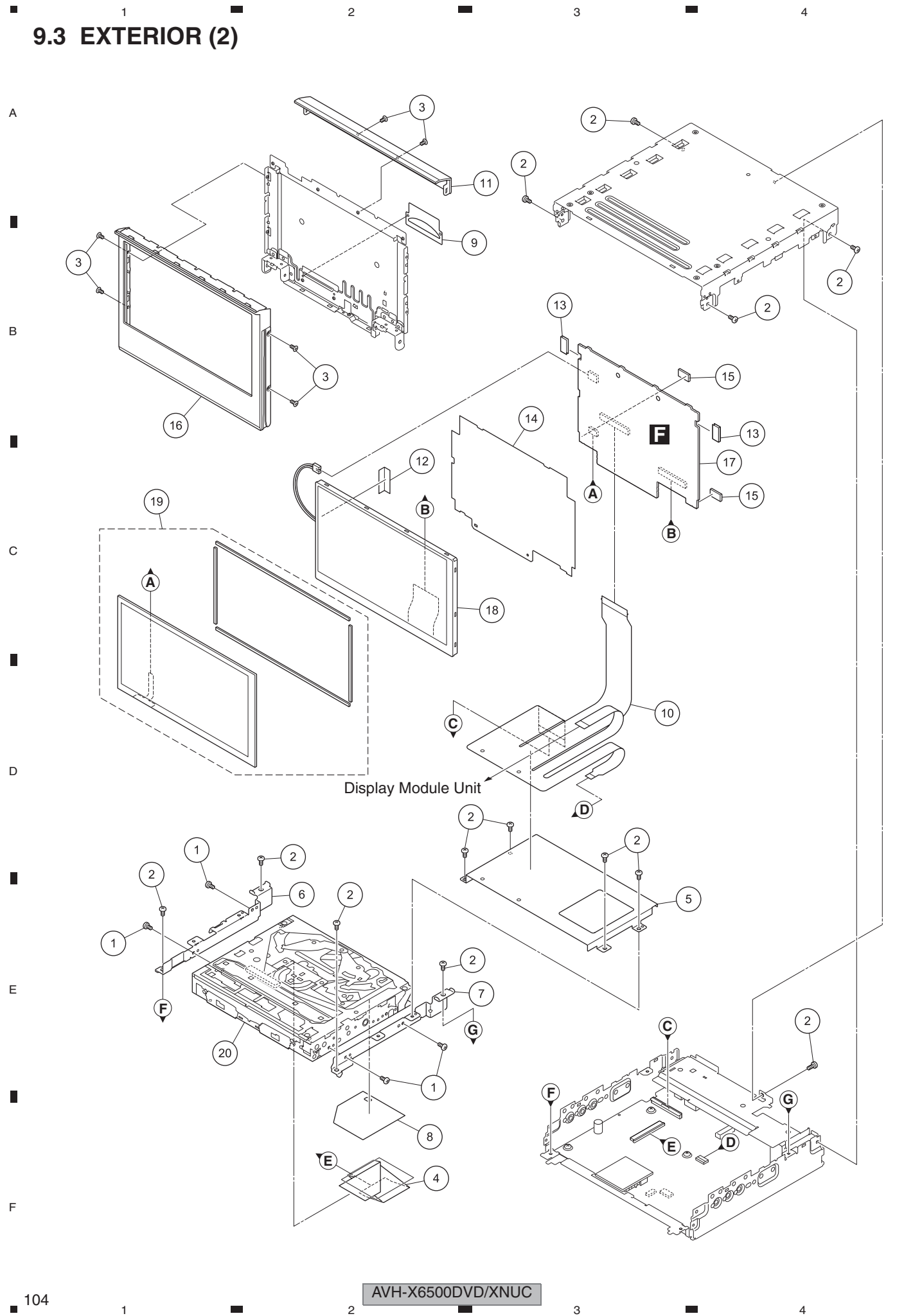
<u>Mark No.</u>	<u>Description</u>	<u>Part No.</u>	<u>Mark No.</u>	<u>Description</u>	<u>Part No.</u>
1	Screw	BMZ20P025FTC	21	Cover	CNN4266
2	Screw (M2 x 3)	CBA1877	22	Cushion	CNN4267
3	Cord Assy	CDP1288	23	Sheet	CNN4382
4		24	Holder	CNV9890
 5	Fuse (10 A)	CEK1136	25	Arm	CNV9891
6	Cap	CNS1472	26	Lighting Conductor	CNW2688
7	Resistor	RS1/2PMF102J	27	Lighting Conductor	CNW2689
8	Screw	CMZ50P060FTC	28	Lighting Conductor	CNW2690
9	Holder	CND3854	29	Detach Grille Assy	See Contrast table (2)
10	Bracket	CND3855	30	
11	Panel	CNU2269	31	
12	Card Remote Control Unit	CXE5116	32	
13	Battery Cover	CNU1624	33	
14	Grille Assy	See Contrast table (2)	34	
15	Screw	BPZ20P060FTC	35	
16	Button (HOME)	CAI4010	36	Knob Unit	CXE5949
17	Button (EJECT, OPEN)	CAI4011	37	Spring	YBL5010
18	Button	CAI4012	38	Grille Unit	CXE5991
19	Spring	CBH2997	39	Sheet	QNM3060
20	FFC	CDE9865			

(2) CONTRAST TABLE

AVH-X6500DVD/XNUC, AVH-X6550DVD/XNRC, AVH-X6550DVD/XNRD and AVH-X6550DVD/XNRI are constructed the same except for the following:

Mark	No.	Description	AVH-X6500DVD/ XNUC	AVH-X6550DVD/ XNRC	AVH-X6550DVD/ XNRD	AVH-X6550DVD/ XNRI
	14	Grille Assy	CXE5813	CXE5814	CXE5814	CXE5814
	29	Detach Grille Assy	CXE5818	CXE5819	CXE5819	CXE5819

9.3 EXTERIOR (2)



5 6 7 8

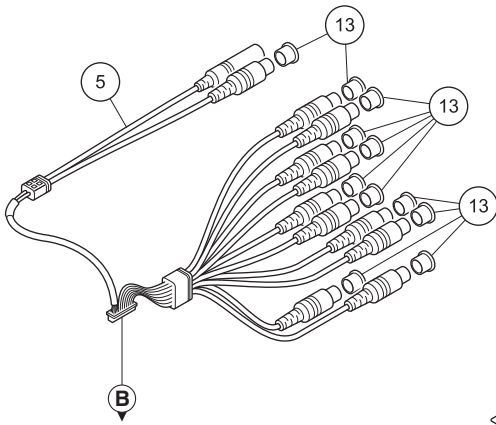
EXTERIOR (2) SECTION PARTS LIST

<u>Mark No.</u>	<u>Description</u>	<u>Part No.</u>
1	Screw	BMZ20P025FTC
2	Screw	BSZ26P060FTC
3	Screw (M2 x 2)	CBA1872
4	FFC	CDE9864
5	Bracket	CND6667
6	Bracket	CND6668
7	Bracket	CND6669
8	Insulator	CNN2764
9	Sheet	CNN4437
10	FPC	CNQ5853
11	Cover	CNU2182
12	Sheet	CNN1694
13	Sheet	CNN1750
14	Insulator	CNN4259
15	Gasket	CNN4439
16	Grille	CNU2179
17	Monitor Unit	
	X6500DVD/XNUC	CWN7351
	X6550DVD/XNRC	CWN7351
	X6550DVD/XNRD	CWN7350
	X6550DVD/XNRI	CWN7350
18	TFT LCD	CWX4352
19	Touch Panel Assy	CXE5830
20	DVD Mechanism Module (MS7.1)	CXK6902

Sheet (No.9 : CNN4437) is NOT reusable.

9.4 EXTERIOR (3)

A



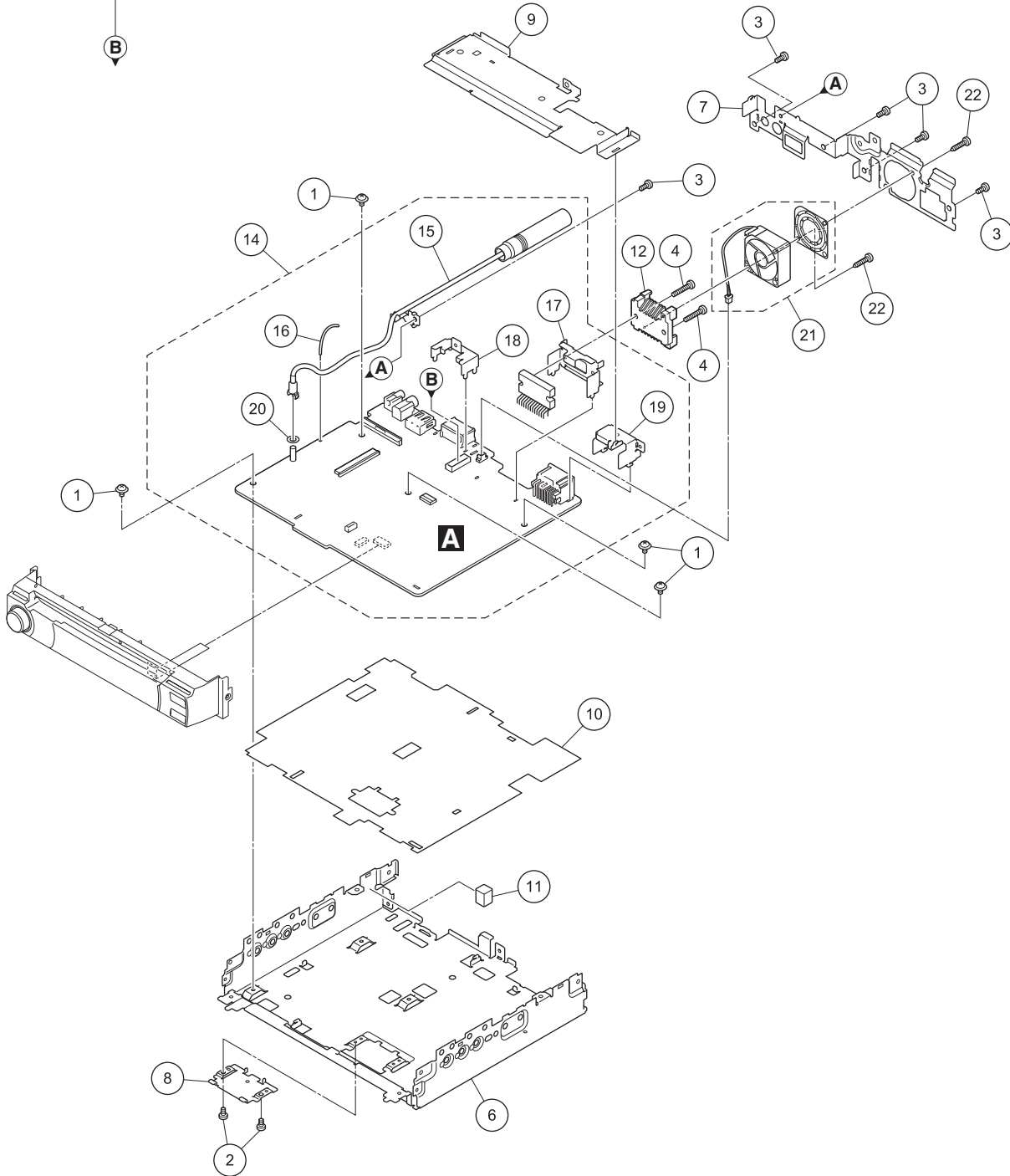
B

C

D

E

F



EXTERIOR (3) SECTION PARTS LIST

<u>Mark No.</u>	<u>Description</u>	<u>Part No.</u>	
1	Screw	AMZ26P040FTC	
2	Screw	BMZ20P025FTC	A
3	Screw	BSZ26P060FTC	
4	Screw	BSZ26P160FTC	
5	Cord Assy	CDE9863	
6	Chassis	CNA3278	
7	Rear Panel	CNB3871	
8	Holder	CND4167	
9	Holder	CND6670	
10	Insulator	CNN4258	
11	Gasket	CNN4451	B
12	Heat Sink	CNR1941	
13	Cap	CNV6727	
14	DVD Amp Unit		
	X6500DVD/XNUC	CWN7342	
	X6550DVD/XNRC	CWN7343	
	X6550DVD/XNRD	CWN7344	
	X6550DVD/XNRI	CWN7345	
15	Antenna Cable	CDH1390	
16	Clamper (CN1800)	CEF1046	C
17	Holder	CND6671	
18	Holder	CND6797	
19	Holder	CND6798	
20	Spacer	CNN1909	
21	Fan Motor	CXM1262	
22	Screw	PMZ20P160FTC	

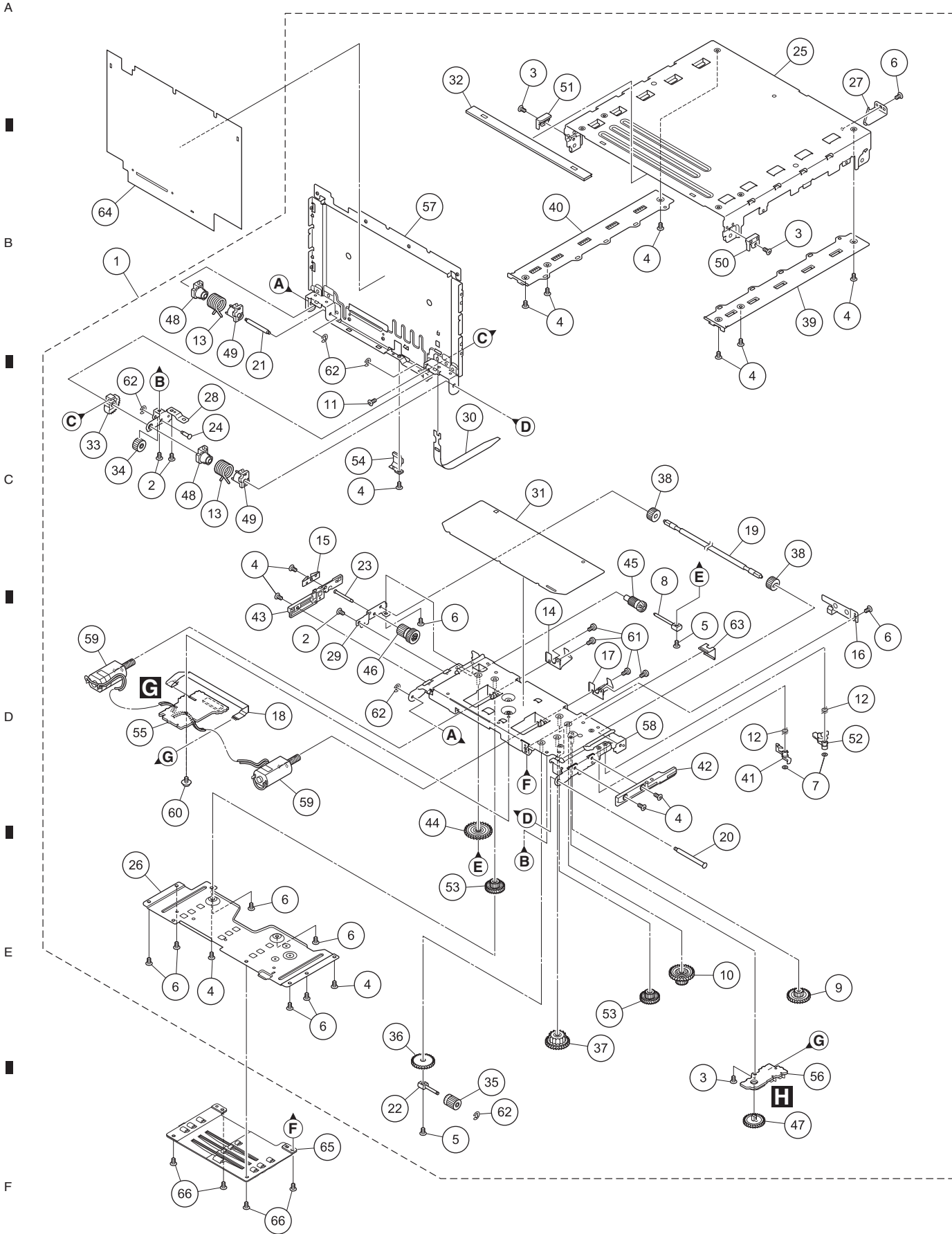
D

E

F

9.5 EXTERIOR (4)

The application position of grease is referred to page 110 and page 111.



EXTERIOR (4) SECTION PARTS LIST

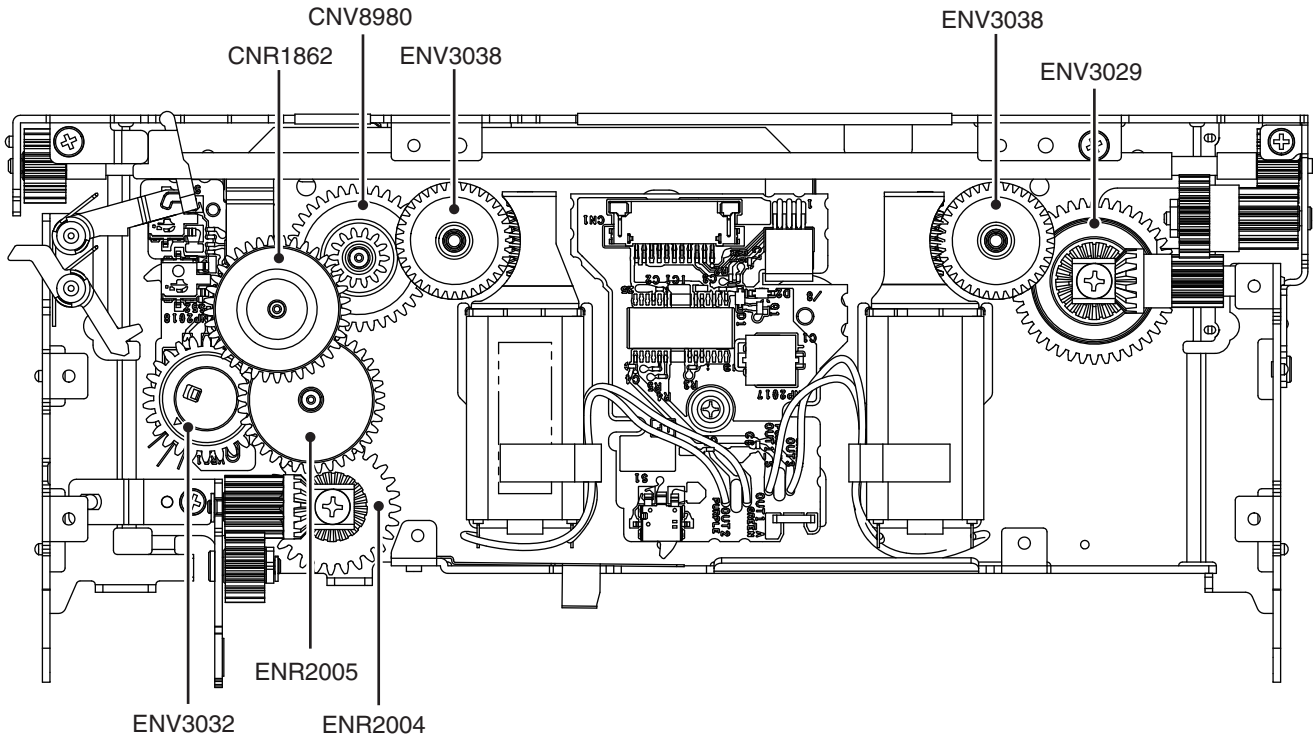
<u>Mark No.</u>	<u>Description</u>	<u>Part No.</u>	<u>Mark No.</u>	<u>Description</u>	<u>Part No.</u>
1	Display Module Unit	CXE6641	50	Guide	ENV3035
2	Screw	CBA1608			
3	Screw (M2 x 1.5)	CBA1615	51	Guide	ENV3036
4	Screw (M2 x 3)	CBA1877	52	Arm	ENV3037
5	Screw (M2.3 x 6)	CBA2027	53	Gear	ENV3038
			54	Lever	ENV3039
6	Screw (M2 x 2)	CBA2129	*	55	Main PCB Unit
7	Washer	CBF1038			
8	Shaft	CLA4821	*	56	SW PCB Unit
9	Gear	CNR1862	57	Case Unit	EXA4010
10	Gear	CNV8980	58	Frame Unit	EXA4011
			59	Motor Unit	EXA4013
11	Screw	EBA2003	60	Screw	IMS20P030FTC
12	Torsion Spring	EBH3010			
13	Torsion Spring	EBH3011	61	Screw	JGZ20P025FTC
14	Plate Spring	EBL2005	62	Washer	YE15FTC
15	Plate Spring	EBL2006	63	Plate Spring	CBL1848
			64	Insulator	CNN4260
16	Plate Spring	EBL2007	65	Cover	CNW2687
17	Plate Spring	EBL2008			
18	FFC	EDD2002	66	Screw (M2 x 3)	CBA1877
19	Shaft	ELA3022			
20	Shaft	ELA3023			
21	Shaft	ELA3024			
22	Shaft	ELA3026			
23	Shaft	ELA3027			
24	Shaft	ELA3028			
25	Chassis	ENA3007			
26	Cover	ENC2025			
27	Lever	ENC2026			
28	Holder	ENC2027			
29	Holder	ENC2032			
30	Sheet	ENM3002			
31	Sheet	ENM3003			
32	Sheet	ENM3004			
33	Gear	ENR2001			
34	Gear	ENR2002			
35	Gear	ENR2003			
36	Gear	ENR2004			
37	Gear	ENR2005			
38	Gear	ENV3023			
39	Rack	ENV3024			
40	Rack	ENV3025			
41	Arm	ENV3026			
42	Guide	ENV3027			
43	Guide	ENV3028			
44	Gear	ENV3029			
45	Gear	ENV3030			
46	Gear	ENV3031			
47	Gear	ENV3032			
48	Holder	ENV3033			
49	Holder	ENV3034			

● The gear assembly figure of the Drive Unit

A

B

C

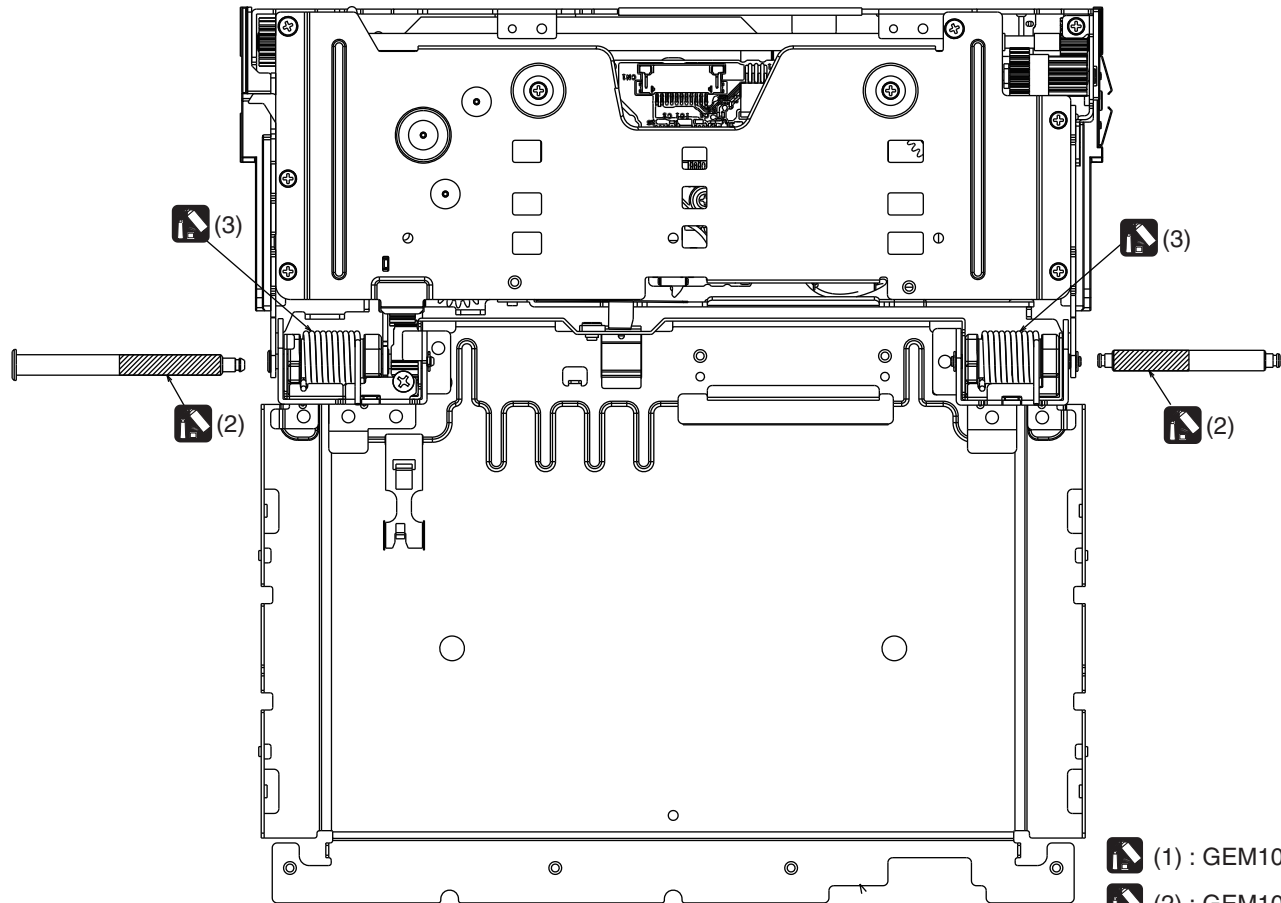


● Grease

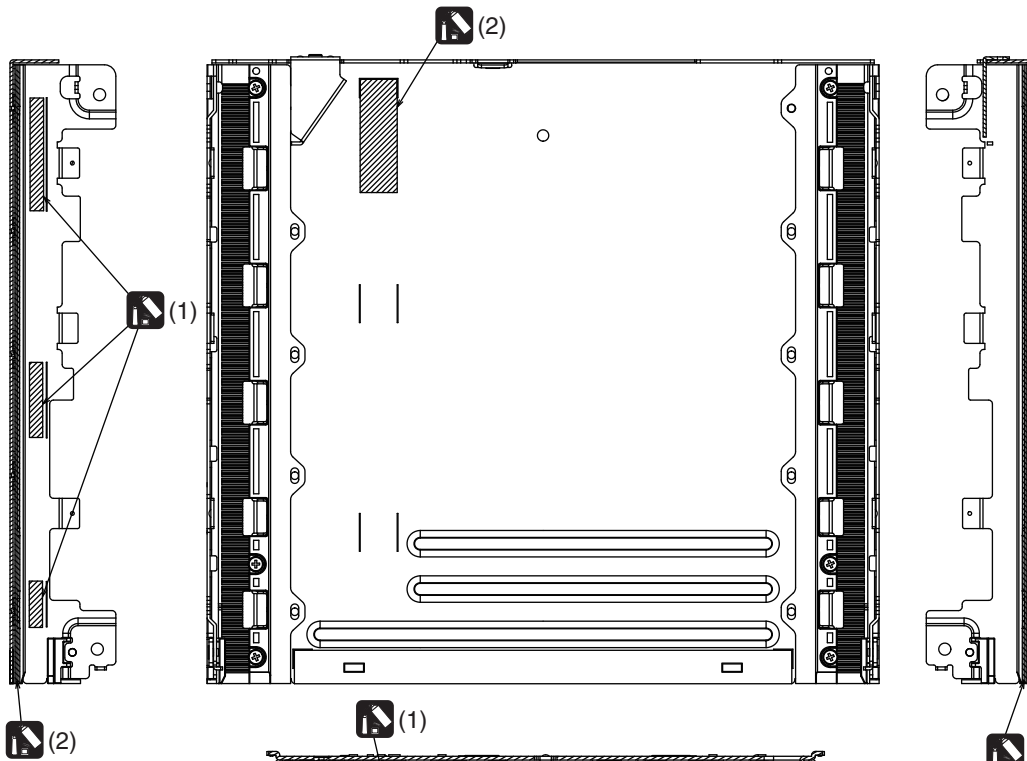
D

E

F



- (1) : GEM1024
- (2) : GEM1043
- (3) : GEM1084

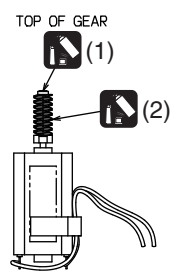
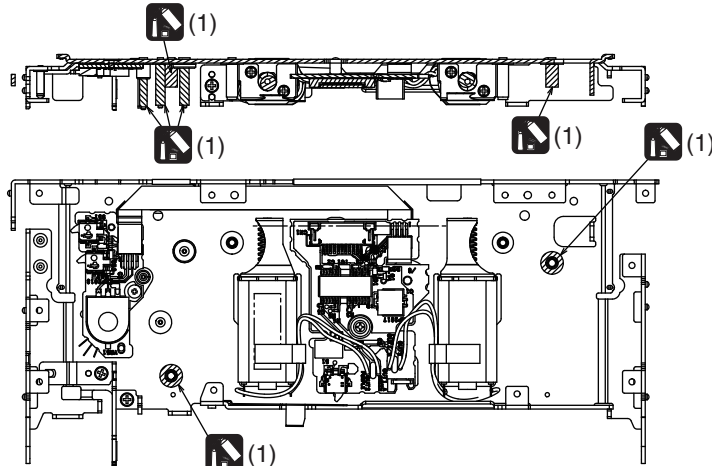


A

B

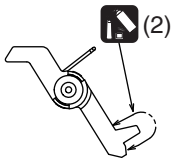
C

(1) : GEM1024
 (2) : GEM1043



D

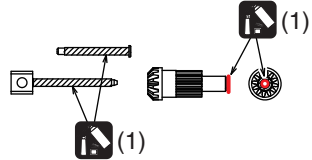
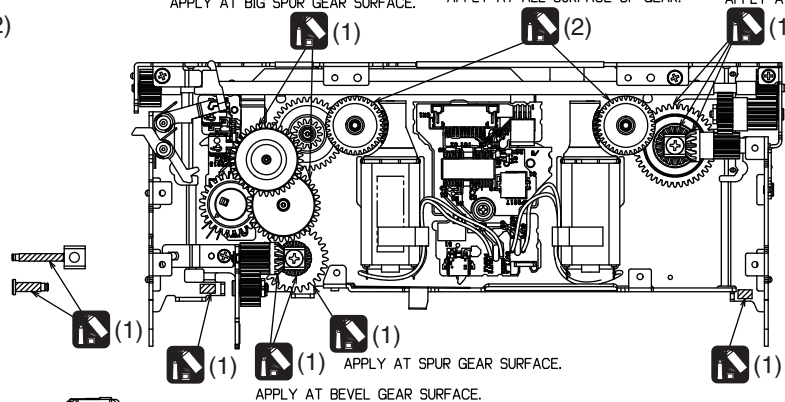
APPLY AT INDICATED SIDE SURFACE.



APPLY AT BIG SPUR GEAR SURFACE.

APPLY AT ALL SURFACE OF GEAR.

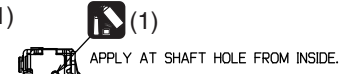
APPLY AT GEAR SURFACE.



E

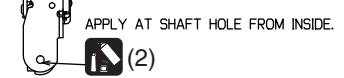
APPLY AT SPUR GEAR SURFACE.

APPLY AT BEVEL GEAR SURFACE.

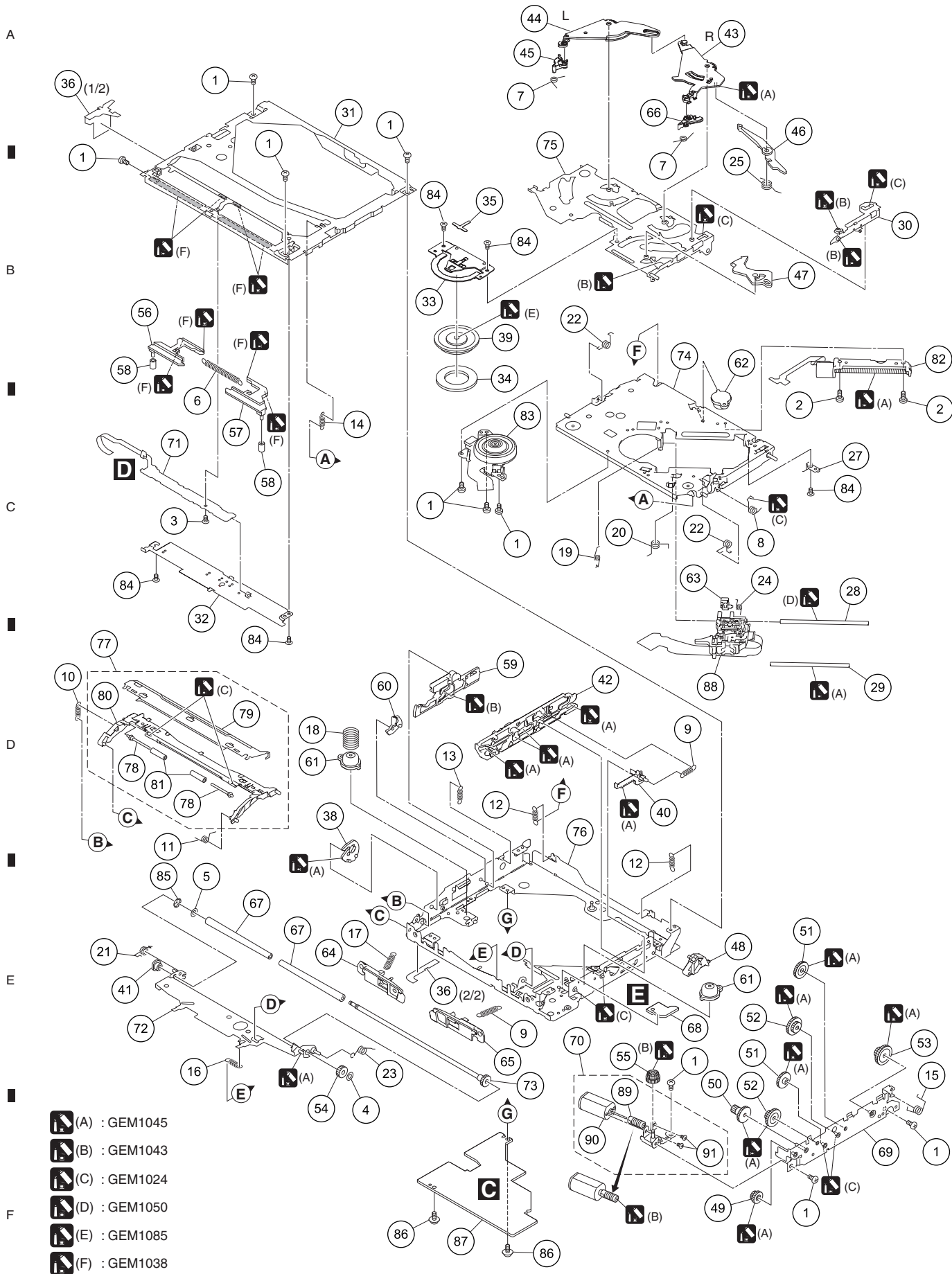


F

APPLY AT SHAFT HOLE FROM INSIDE.



9.6 DVD MECHANISM MODULE



5 6 7 8
DVD MECHANISM MODULE SECTION PARTS LIST

<u>Mark No.</u>	<u>Description</u>	<u>Part No.</u>	<u>Mark No.</u>	<u>Description</u>	<u>Part No.</u>
1	Screw	BMZ20P020FTC	50	Gear	CNV8875
2	Screw	BMZ20P025FNI			
3	Screw	CBA1787	51	Gear	CNV8876
4	Washer	CBF1038	52	Gear	CNV8877
5	Washer	CBF1064	53	Gear	CNV8878
			54	Gear	CNV8879
6	Spring	CBH2589	55	Gear	CNV8880
7	Spring	CBH2590			
8	Spring	CBH2592	56	Lever	CNV8903
9	Spring	CBH2593	57	Lever	CNV8904
10	Spring	CBH2596	58	Roller	CNV8905
			59	Lever	CNV8908
11	Spring	CBH2597	60	Arm	CNV8909
12	Spring	CBH2599			
13	Spring	CBH2600	61	Damper	CNV9061
14	Spring	CBH2601	62	Damper	CNV9062
15	Spring	CBH2604	63	Rack	CNV9063
			64	Arm	CNV9116
16	Spring	CBH2605	65	Arm	CNV9117
17	Spring	CBH2710			
18	Spring	CBH2711	66	Arm	CNW2082
19	Spring	CBH2890	67	Roller	CNV7165
20	Spring	CBH2935	68	Compound Unit(B)	CWX3394
			69	Bracket Unit	CXB8685
21	Spring	CBH2586	70	Brush Motor Unit(LOAD)(M1)	CXE4539
22	Spring	CBH2588			
23	Spring	CBH2898	71	Compound Unit(A)	CWX4034
24	Spring	CBH2926	72	Arm Unit	CXC5486
25	Spring	CBH2591	73	Roller Unit	CXC5708
			74	Chassis Unit	CXC6443
26		75	Arm Unit	CXC7872
27	Spring	CBL1726			
28	Shaft	CLA4918	76	Frame Unit	CXE2486
29	Shaft	CLA4919	77	Guide Unit	CXC8572
30	Lever	CND5494	78	Shaft	CLA4771
			79	Holder	CND5456
31	Frame	CND2250	80	Guide	CNV9569
32	Holder	CND2251			
33	Holder	CNC9939	81	Collar	CNV9570
34	Sheet	CNM6883	82	Motor(STEPPING)(M2)	CXM1364
35	Sheet	CNM8283	83	Motor(SPDL)(M3)	CXM1435
			84	Screw	JFZ20P018FTC
36	Sheet	CNM9658	85	Washer	YE20FTC
37				
38	Cam	CNV7156	86	Screw	IMS20P030FTC
39	Clamper	CNV7158	87	DVD Core Unit(MS7.1)	CWX4332
40	Rack	CNV7175	88	Pickup Unit(Service)	CXX2558
			89	Gear	CNW2264
41	Collar	CNV8845	90	Motor	CXM1321
42	Lever	CNW1926			
43	Arm	CNV8867	91	Screw	JFZ14P020FTC
44	Arm	CNV8868			
45	Arm	CNW2081			
46	Arm	CNV8871			
47	Arm	CNV8872			
48	Arm	CNV8873			
49	Gear	CNV8874			

12. ELECTRICAL PARTS LIST

NOTE:

- Parts whose parts numbers are omitted are subject to being not supplied.
- The part numbers shown below indicate chip components.

Chip Resistor

RS1/○S○○○○J,RS1/○○S○○○○J

Chip Capacitor (except for CQS.....)

CKS....., CCS....., CSZS.....

- The \triangle mark found on some component parts indicates the importance of the safety factor of the part. Therefore, when replacing, be sure to use parts of identical designation.
- Meaning of the figures and others in the parentheses in the parts list.

Example) IC 301 is on the point (face A, 91 of x-axis, and 111 of y-axis) of the corresponding PC board.

IC 301 (A, 91, 111) IC NJM2068V

- The expression of the unit in this manual is shown by u instead of μ . Please do not make a mistake.

Circuit Symbol and No.

Part No.

A:AVH-X6500DVD/XNUC

B:AVH-X6550DVD/XNRC

C:AVH-X6550DVD/XNRD

D:AVH-X6550DVD/XNRI

Unit Number : CWN7342(A)

Unit Number : CWN7343(B)

Unit Number : CWN7344(C)

Unit Number : CWN7345(D)

Unit Name : DVD Amp Unit

Unit Number : CWN7337

Unit Name : Keyboard Unit

Unit Number : CWX4332

Unit Name : DVD Core Unit(MS7.1)

Unit Number : CWX4034

Unit Name : Compound Unit(A)

Unit Number : CWX3394

Unit Name : Compound Unit(B)

Unit Number : CWN7351(A,B)

Unit Number : CWN7350(C,D)

Unit Name : Monitor Unit

Unit Number : EWX2008

Unit Name : Main PCB Unit

Unit Number : EWX2009

Unit Name : SW PCB Unit

Circuit Symbol and No.

Part No.

A

Unit Number : CWN7342(A)

Unit Number : CWN7343(B)

Unit Number : CWN7344(C)

Unit Number : CWN7345(D)

Unit Name : DVD Amp Unit

MISCELLANEOUS

IC 1001	(B,132,76) IC	NJW4830U2
IC 1101	(A,125,137) IC	PA2030A
IC 1201	(A,159,90) Regulator IC	NJW4181U3-33B
IC 1202	(B,74,79) Regulator	BA00CC0WFP
IC 1203	(B,86,100) IC	BA00DD0WHFP
IC 1204	(B,103,74) IC	NJW4132U2-A
IC 1205	(B,23,18) IC	NJM2886DL3-05
IC 1206	(B,152,31) IC	AN33012UA
IC 1209	(B,148,61) Regulator IC	BD9876EFJ
IC 1210	(B,154,80) IC	AN33014UA
IC 1301	(A,85,59) IC(A) (A,85,59) IC(B,C,D)	PDB101A8 PDB102A8
IC 1451	(B,103,98) IC	PML020A
IC 1501	(B,52,86) IC	AK4223VQ
IC 1605	(B,64,122) IC	NJM4565V
IC 1606	(B,62,113) IC	NJM4565V
IC 1611	(B,88,70) IC	TC74VHCT08AFKS1
IC 1801	(A,31,42) IC	TDA7706
Q 1001	(B,127,89) Chip Transistor	HN1C01FU
Q 1003	(B,126,85) Transistor	LTC014EEB
Q 1004	(B,135,88) Transistor	LTC014EEB
Q 1005	(A,113,100) Transistor	LSAR523UB
Q 1006	(A,116,100) Transistor	LSAR523UB
Q 1101	(A,119,107) Transistor	LTC014YEB
Q 1102	(A,132,123) Transistor	RN4987
Q 1103	(A,134,126) Transistor	LTC043ZEB
Q 1104	(A,107,118) Chip Transistor	RN4982
Q 1201	(A,102,141) Transistor	KTX213U
Q 1202	(A,90,141) Transistor	LTC014EEB
Q 1203	(A,86,139) Transistor	LTC014EEB
Q 1204	(B,100,141) Transistor	2SD1760F5

5		6		7		8	
<u>Circuit Symbol and No.</u>		<u>Part No.</u>		<u>Circuit Symbol and No.</u>		<u>Part No.</u>	
Q 1205	(B,102,83) Transistor	LSCR523UB		L 1203	(A,135,16) Inductor	CTH1544	
Q 1208	(A,154,19) FET	SFT1342		L 1204	(A,141,44) Inductor	CTH1519	
Q 1209	(A,157,46) FET	SFT1342		L 1205	(A,140,52) Choke Coil 10 uH	CTH1486	A
Q 1212	(B,118,79) Transistor	KTX213U		L 1207	(A,141,64) Inductor	CTH1524	
Q 1301	(A,25,89) Chip Transistor	RN4982		L 1208	(A,146,80) Inductor	CTH1524	
Q 1302	(A,25,81) Chip Transistor	HN1C01FU		L 1401	(B,96,87) Chip Coil	LCTAW100J2520	
Q 1303	(A,70,67) Transistor	LSCR523UB		L 1801	(A,21,46) Inductor	CTF1794	
Q 1605	(B,64,129) Transistor	LSCR523UB		L 1802	(A,18,50) Inductor	LCTCR15K1608	
Q 1606	(B,71,142) Transistor	UMF23N		L 1803	(A,20,43) Inductor	CTF1786	
Q 1702	(A,100,137) Chip Transistor	HN1C03FU		L 1804	(A,19,39) SMD Ferrite Beads	CTF1806	
Q 1703	(A,96,133) Chip Transistor	HN1C03FU		L 1805	(A,18,47) Chip Coil	LCTAWR27J2520	
Q 1704	(A,82,132) Chip Transistor	HN1C03FU		L 1806	(A,17,35) Inductor	CTF1389	
Q 1705	(B,67,102) Chip Transistor	2SD2114K		L 1808	(A,26,54) Inductor	CTF1786	
Q 1706	(B,63,98) Transistor	RN4984		L 1809	(A,27,54) Inductor	CTF1786	B
Q 1707	(B,67,98) Transistor	RN4984		L 1810	(A,28,30) Chip Coil	LCTAW470J2520	
D 1002	(B,131,92) Diode	HZU7L(A1)		L 1811	(A,34,32) Inductor	CTF1786	
D 1003	(B,125,98) Diode	HZU7L(C3)		L 1812	(A,40,52) Inductor	CTF1786	
D 1004	(B,131,87) Diode	DA2J101		L 1813	(A,41,49) Inductor	CTF1786	
D 1005	(B,135,92) Diode	RKZ5.6KG(B2)		L 1815	(A,41,39) Inductor	CTF1786	
D 1006	(B,132,81) Diode	CRG03		L 1816	(A,42,46) Inductor	CTF1786	
D 1008	(A,119,99) Diode	DA2J101		L 1817	(B,20,41) Inductor	CTF1786	
D 1011	(A,141,116) Diode	1SR154-400		L 1819	(B,19,33) Inductor	LCYC220K1608	
D 1012	(A,141,112) Diode	1SR154-400		L 1901	(A,38,130) Choke Coil 90 ohm	CTH1319	
D 1013	(A,116,94) Diode	DA2J101		X 1301	(A,71,58) Crystal Resonator 12.500 MHz	CSS1839	
D 1101	(A,132,127) Diode	DA2J101		X 1801	(A,34,54) Resonator 36.480 MHz	CSS1805	C
D 1201	(B,91,143) Diode	RKZ6.8KG(B2)		△ P1201	(A,91,146) Fuse 0.5 A	CEK1278	
D 1202	(B,91,138) Diode	RKZ8.2KG(B2)		△ P1205	(A,29,92) Fuse 1.75 A	CEK1283	
D 1203	(B,91,140) Diode	RKZ9.1KG(B2)		△ P1206	(A,24,67) Fuse 1.75 A	CEK1283	
D 1204	(A,154,101) Diode	1SR154-400		△ P1207	(A,22,98) Fuse 2.5 A	CEK1285	
D 1205	(B,98,81) Diode	HZU13(B1)		△ P1208	(A,112,43) Fuse 1.5 A	CEK1282	
D 1206	(B,108,70) Diode	RB551VM-30		P 1701	(A,80,121) Poly Switch	MINISMDC075F/24	
D 1208	(B,42,17) Diode	CRG03		P 1703	(A,81,137) Poly Switch	MINISMDC075F/24	
D 1209	(A,154,26) Diode	RB056L-40		P 1801	(A,13,49) Surge Absorber	IMSA-6803-01Y900	
D 1210	(A,155,36) Diode	RB056L-40		BZ1601	(A,29,14) Buzzer	CPV1063	
D 1211	(A,131,59) Diode	RB060M-30		CN1001	(A,156,143) Plug	CKM1516	
D 1212	(A,133,59) Diode	RB060M-30		CN1201	(A,95,144) Connector	CKS4822	D
D 1215	(A,150,65) Diode	RB056L-40		CN1301	(A,41,83) Connector	CKS6025	
D 1216	(B,148,82) Diode	DB2X41400		CN1601	(A,66,150) Connector	CKS4497	
D 1218	(B,79,91) Diode	1SR154-400		CN1602	(A,103,86) Connector	CKS6567	
D 1219	(B,78,94) Diode	1SR154-400		CN1603	(A,30,117) Connector	CKS6543	
D 1220	(A,102,75) Diode	CRG03		CN1604	(B,113,34) Connector	CKS6526	
D 1221	(A,102,73) Diode	CRG03		CN1703	(A,89,128) Plug	CKM1599	
D 1301	(A,77,78) Diode	RB501VM-40		CN1800	(A,5,85) Clamper	CEF1046	
D 1302	(A,77,76) Diode	DB2J31400		JA1601	(A,24,142) Jack	CKS6437	
D 1601	(B,68,126) Diode	DZ2J051M0		JA1901	(A,41,141) USB Jack	CKN1091	
D 1701	(B,67,93) Diode	DZ2J039M0					E
D 1702	(A,81,123) Diode	DZ2S180C					
D 1703	(A,80,126) Diode	DZ2S180C					
D 1704	(A,98,121) Diode	DZ2S180C					
D 1705	(A,98,126) Diode	DZ2S180C					
D 1706	(A,98,129) Diode	DZ2S180C					
D 1707	(A,81,129) Diode	DZ2S180C					
D 1708	(A,98,125) Diode	DZ2S180C					
D 1801	(A,16,51) Diode	RN731VN		R 1002	(B,130,90)	RS1/16SS103J	
D 1802	(A,21,50) Diode	RN731VN		R 1004	(B,130,91)	RS1/16SS473J	
D 1901	(B,46,126) Diode	DZ2J068M0		R 1005	(B,130,93)	RS1/16SS472J	
D 1902	(A,39,132) Diode	EZAEG2A50AX		R 1006	(B,125,95)	RS1/16SS104J	
D 1903	(A,43,132) Diode	EZAEG2A50AX		R 1007	(B,126,95)	RS1/16SS473J	
L 1201	(A,115,74) Choke Coil 22 uH	CTH1561		R 1008	(B,132,96)	RS1/4SA0R0J	
L 1202	(B,46,18) Inductor	LCTAW2R2J2520		R 1009	(B,130,85)	RS1/16SS103J	
				R 1010	(B,134,86)	RS1/16SS472J	
				R 1011	(B,137,84)	RS1/4SA0R0J	F
				R 1012	(B,133,92)	RS1/10SR103J	
				R 1013	(A,116,97)	RS1/16SS473J	

RESISTORS

	1	2	3	4
	<u>Circuit Symbol and No.</u>	<u>Part No.</u>	<u>Circuit Symbol and No.</u>	<u>Part No.</u>
	R 1014 (A, 116,102)	RS1/16SS223J	R 1255 (B,155,73)	RS1/16SS4702D
	R 1015 (A, 120,99)	RS1/16SS103J	R 1256 (B,159,89)	RS1/16SS152J
	R 1016 (A, 114,102)	RS1/16SS223J	R 1257 (B,159,88)	RS1/16SS3302D
A	R 1017 (A, 116,98)	RS1/16SS473J	R 1258 (B,159,87)	RS1/16SS8201D
	R 1018 (A, 120,102)	RS1/16SS103J	R 1259 (B,156,88)	RS1/16SS752J
	R 1019 (B,138,95)	RS1/4SA0R0J	R 1260 (A,129,83)	RS1/16SS102J
	R 1020 (A, 118,98)	RS1/16SS102J	R 1261 (A,140,79) 0.056 ohm	ACN7160
	R 1021 (A, 114,98)	RS1/16SS102J	R 1262 (B,153,86)	RS1/16SS0R0J
	R 1101 (A, 104,118)	RS1/16SS103J	R 1263 (B,150,73)	RS1/16SS394J
	R 1102 (A, 119,108)	RS1/16SS103J	R 1264 (B,152,74)	RS1/16SS204J
	R 1103 (A, 126,108)	RS1/16SS103J	R 1267 (B,157,87)	RS1/16SS0R0J
	R 1105 (A, 136,128)	RS1/16SS221J	R 1268 (B,157,88)	RS1/16SS0R0J
	R 1106 (A, 134,128)	RS1/16SS103J	R 1278 (B,109,81)	RS1/8SQ202J
	R 1107 (A, 133,128)	RS1/16SS102J	R 1279 (B,111,79)	RS1/8SQ202J
B	R 1108 (A, 107,116)	RS1/16SS473J	R 1283 (B,49,22)	RS1/16SS0R0J
	R 1201 (A, 128,60)	RS1/10SR0R0J	R 1287 (B,116,81)	RS1/16SS473J
	R 1202 (A, 105,143)	RS1/16SS221J	R 1288 (B,118,81)	RS1/16SS102J
	R 1203 (A, 104,143)	RS1/16SS221J	R 1302 (A,25,92)	RS1/16SS102J
	R 1204 (A, 104,146)	RS1/16SS221J	R 1303 (A,30,90)	RS1/16SS471J
	R 1205 (A, 102,146)	RS1/16SS473J	R 1304 (A,33,89)	RS1/16SS102J
	R 1206 (A, 101,144)	RS1/16SS103J	R 1305 (A,33,88)	RS1/16SS221J
	R 1208 (B,76,88)	RS1/16SS5100D	R 1306 (A,33,87)	RS1/16SS221J
	R 1209 (B,76,86)	RS1/16SS3302D	R 1307 (A,33,86)	RS1/16SS221J
	R 1210 (B,75,89)	RS1/16SS4701D	R 1308 (A,33,85)	RS1/16SS221J
C	R 1211 (B,77,98)	RS1/16SS2201D	R 1309 (A,25,97)	RS1/8SQ0R0J
	R 1212 (B,77,100)	RS1/16SS2702D	R 1310 (A,33,79)	RS1/16SS0R0J
	R 1213 (B,76,98)	RS1/16SS4701D	R 1311 (A,28,82)	RS1/16SS472J
	R 1214 (B,78,97)	RS1/16SS0R0J	R 1312 (A,24,82)	RS1/16SS472J
	R 1215 (B,100,84)	RS1/16SS681J	R 1313 (A,87,78) (B,C)	RS1/16SS104J
	R 1217 (B,101,71)	RS1/16SS2203D	R 1314 (A,87,75) (D)	RS1/16SS104J
	R 1218 (B,99,72)	RS1/16SS1602D	R 1315 (A,86,78) (B,D)	RS1/16SS104J
	R 1219 (B,99,70)	RS1/16SS0R0J	R 1316 (A,85,75) (C)	RS1/16SS104J
	R 1222 (B,99,74)	RS1/16SS6800D	R 1317 (A,85,78) (C,D)	RS1/16SS104J
	R 1224 (B,104,84)	RS1/16SS0R0J	R 1318 (A,84,75) (B)	RS1/16SS104J
	R 1225 (B,31,21)	RS1/16SS0R0J	R 1319 (A,84,78)	RS1/16SS104J
D	R 1227 (B,151,41)	RS1/16SS561J	R 1323 (A,88,75)	RS1/16SS682J
	R 1228 (B,152,39)	RS1/16SS3302D	R 1324 (A,89,77)	RS1/16SS221J
	R 1229 (B,149,39)	RS1/16SS4301D	R 1325 (A,74,72)	RS1/16SS472J
	R 1230 (B,148,40)	RS1/16SS3601D	R 1326 (A,76,71)	RS1/16SS471J
	R 1231 (B,153,41)	RS1/16SS123J	R 1327 (A,73,71)	RS1/16SS472J
	R 1232 (B,150,24)	RS1/16SS103J	R 1328 (A,76,72)	RS1/16SS471J
	R 1234 (B,157,23) 0.011 ohm	CCN1341	R 1329 (A,86,71)	RS1/16SS104J
	R 1235 (B,146,27)	RS1/16SS204J	R 1330 (A,85,71)	RS1/16SS104J
	R 1236 (B,145,29)	RS1/16SS394J	R 1331 (A,91,79)	RS1/16SS682J
	R 1237 (B,158,38) 0.012 ohm	CCN1321	R 1333 (A,110,47)	RS1/16SS101J
	R 1238 (B,148,37)	RS1/16SS224J	R 1334 (A,85,73)	RS1/16SS104J
E	R 1239 (B,152,21)	RS1/16SS472J	R 1335 (A,83,72)	RS1/16SS103J
	R 1240 (B,148,22)	RS1/16SS1101D	R 1336 (A,82,72)	RS1/16SS0R0J
	R 1241 (B,147,23)	RS1/16SS2701D	R 1337 (A,74,73)	RS1/16SS473J
	R 1242 (B,150,22)	RS1/16SS2702D	R 1339 (A,73,59)	RS1/16SS0R0J
	R 1243 (B,150,21)	RS1/16SS511J	R 1340 (A,80,43)	RS1/16SS473J
	R 1246 (B,148,55)	RS1/16SS3601D	R 1341 (A,72,67)	RS1/16SS104J
	R 1247 (B,149,56)	RS1/16SS4702D	R 1342 (A,71,64)	RS1/16SS473J
	R 1248 (B,150,56)	RS1/16SS2202D	R 1343 (B,75,62)	RS1/16SS102J
	R 1249 (B,152,55)	RS1/16SS222J	R 1344 (A,68,65)	RS1/16SS473J
	R 1250 (B,142,64)	RS1/8SQ0R0J	R 1346 (A,67,61)	RS1/16SS472J
F	R 1251 (A, 129,84)	RS1/16SS102J	R 1347 (A,67,60)	RS1/16SS472J
	R 1252 (A, 129,85)	RS1/16SS102J	R 1348 (A,66,59)	RS1/16SS473J
	R 1253 (A, 129,82)	RS1/16SS102J	R 1349 (B,82,59)	RS1/16SS102J
	R 1254 (B,157,74)	RS1/16SS224J	R 1350 (A,72,52)	RS1/16SS102J

5		6		7		8	
<u>Circuit Symbol and No.</u>		<u>Part No.</u>		<u>Circuit Symbol and No.</u>		<u>Part No.</u>	
R 1351	(A,71,48)	RS1/16SS121J		R 1461	(A,111,114)	RS1/8SQ272J	
R 1352	(A,71,46)	RS1/16SS104J		R 1462	(A,109,111)	RS1/8SQ272J	
R 1353	(A,72,46)	RS1/16SS121J		R 1463	(A,112,95)	RS1/16SS0R0J	
R 1357	(A,67,67)	RS1/16SS473J		R 1464	(B,111,92)	RS1/16SS0R0J	A
R 1358	(A,73,65)	RS1/16SS471J		R 1465	(B,113,93)	RS1/16SS162J	
R 1359	(A,73,64)	RS1/16SS471J		R 1501	(B,47,94)	RS1/16SS470J	
R 1360	(A,62,61)	RS1/16SS472J		R 1505	(B,48,94)	RS1/16SS75R0F	
R 1363	(A,71,52)	RS1/16SS104J		R 1506	(B,45,94)	RS1/16SS75R0D	
R 1364	(A,76,47)	RS1/16SS0R0J		R 1507	(B,63,90)	RS1/16SS471J	
R 1365	(A,77,47)	RS1/16SS0R0J		R 1508	(B,63,89)	RS1/16SS471J	
R 1366	(A,78,47)	RS1/16SS0R0J		R 1509	(B,63,87)	RS1/16SS471J	
R 1367	(A,76,45)	RS1/16SS0R0J		R 1510	(B,63,86)	RS1/16SS471J	
R 1368	(A,78,43)	RS1/16SS473J		R 1511	(B,63,84)	RS1/16SS471J	
R 1369	(A,82,44)	RS1/16SS103J		R 1512	(B,63,83)	RS1/16SS471J	
R 1370	(A,81,46)	RS1/16SS0R0J		R 1513	(B,56,76)	RS1/16SS471J	B
R 1371	(A,83,47)	RS1/16SS104J		R 1514	(B,55,76)	RS1/16SS471J	
R 1372	(A,83,44)	RS1/16SS103J		R 1519	(B,42,81)	RS1/16SS101J	
R 1373	(A,84,45)	RS1/16SS102J		R 1520	(B,42,82)	RS1/16SS101J	
R 1380	(A,97,69)	RS1/16SS221J		R 1521	(B,42,86)	RS1/16SS101J	
R 1381	(A,97,70)	RS1/16SS221J		R 1522	(B,42,87)	RS1/16SS101J	
R 1382	(A,101,69)	RS1/16SS221J		R 1523	(B,42,88)	RS1/16SS101J	
R 1383	(A,98,66)	RS1/16SS221J		R 1524	(B,42,89)	RS1/16SS101J	
R 1384	(A,98,64)	RS1/16SS221J		R 1525	(B,42,90)	RS1/16SS101J	
R 1385	(A,98,62)	RS1/16SS221J		R 1526	(B,41,88)	RS1/16SS750J	
R 1386	(A,99,60)	RS1/16SS104J		R 1527	(B,41,86)	RS1/16SS750J	
R 1387	(A,97,58)	RS1/16SS473J		R 1529	(B,41,82)	RS1/16SS750J	C
R 1388	(B,92,68)	RS1/16SS473J		R 1531	(B,42,91)	RS1/16SS101J	
R 1389	(A,98,51)	RS1/16SS471J		R 1601	(B,67,119)	RS1/16SS153J	
R 1390	(A,98,53)	RS1/16SS102J		R 1602	(A,35,108)	RS1/10SR0R0J	
R 1391	(A,89,73)	RS1/16SS104J		R 1604	(B,13,130)	RS1/10SR102J	
R 1395	(A,98,61)	RS1/16SS471J		R 1605	(B,13,127)	RS1/10SR102J	
R 1396	(A,98,65)	RS1/16SS0R0J		R 1606	(B,70,127)	RS1/16SS153J	
R 1397	(A,99,69)	RS1/16SS473J		R 1607	(B,70,125)	RS1/16SS153J	
R 1398	(A,96,69)	RS1/16SS104J		R 1608	(B,59,120)	RS1/16SS153J	
R 1399	(A,90,73)	RS1/16SS221J		R 1609	(B,57,122)	RS1/16SS153J	
R 1400	(A,71,51)	RS1/16SS473J		R 1610	(B,58,122)	RS1/16SS153J	D
R 1403	(A,98,58)	RS1/16SS104J		R 1611	(B,69,119)	RS1/16SS153J	
R 1405	(A,73,67)	RS1/16SS473J		R 1613	(B,68,129)	RS1/16SS102J	
R 1406	(A,87,47)	RS1/16SS0R0J		R 1614	(B,61,126)	RS1/16SS472J	
R 1407	(A,100,61)	RS1/16SS0R0J		R 1615	(B,58,120)	RS1/16SS153J	
R 1408	(A,98,63)	RS1/16SS0R0J		R 1616	(B,113,39)	RS1/16SS0R0J	
R 1409	(B,98,77)	RS1/16SS0R0J		R 1617	(B,67,114)	RS1/16SS153J	
R 1410	(A,92,44)	RS1/16SS104J		R 1618	(B,70,120)	RS1/16SS273J	
R 1411	(A,92,45)	RS1/16SS104J		R 1626	(B,69,140)	RS1/16SS223J	
R 1412	(B,109,40)	RS1/16SS182J		R 1627	(B,65,136)	RS1/16SS223J	
R 1413	(B,108,40)	RS1/16SS182J		R 1628	(B,61,136)	RS1/16SS562J	
R 1414	(B,89,66)	RS1/16SS0R0J		R 1629	(A,64,136)	RS1/10SR102J	E
R 1416	(A,78,73)	RS1/16SS471J		R 1630	(A,61,140)	RS1/10SR102J	
R 1417	(A,76,74)	RS1/16SS105J		R 1631	(A,54,138)	RS1/16SS103J	
R 1418	(A,85,47)	RS1/16SS0R0J		R 1632	(A,58,140)	RS1/10SR471J	
R 1419	(A,98,55)	RS1/16SS473J		R 1633	(A,55,140)	RS1/10SR471J	
R 1420	(A,83,78)	RS1/16SS0R0J		R 1634	(B,73,137)	RS1/16SS0R0J	
R 1451	(A,111,92)	RS1/16SS0R0J		R 1635	(B,72,137)	RS1/16SS0R0J	
R 1454	(B,96,90)	RS1/16SS473J		R 1636	(B,71,137)	RS1/16SS0R0J	
R 1455	(B,111,107)	RS1/8SQ182J		R 1637	(B,70,137)	RS1/16SS0R0J	
R 1456	(B,108,108)	RS1/8SQ182J		R 1641	(A,67,141)	RS1/16SS222J	
R 1457	(B,108,111)	RS1/8SQ182J		R 1642	(A,66,141)	RS1/16SS222J	F
R 1458	(B,96,106)	RS1/8SQ182J		R 1643	(B,70,114)	RS1/16SS273J	
R 1459	(B,113,107)	RS1/8SQ272J		R 1644	(B,57,111)	RS1/16SS153J	
R 1460	(A,106,113)	RS1/8SQ272J		R 1645	(B,67,112)	RS1/16SS473J	

	1	2	3	4
	<u>Circuit Symbol and No.</u>	<u>Part No.</u>	<u>Circuit Symbol and No.</u>	<u>Part No.</u>
	R 1646 (B,56,116)	RS1/16SS153J		
	R 1647 (B,57,112)	RS1/16SS153J	C 1106 (A,111,123) 10 uF/16 V	CCH1998
	R 1648 (B,57,113)	RS1/16SS153J	C 1107 (A,141,132)	CKSRYB104K16
A	R 1649 (B,69,114)	RS1/16SS153J	C 1108 (A,151,127)	XCEAT102M16
	R 1650 (B,71,144)	RS1/10SR222J	C 1109 (A,137,126)	CKSSYB102K50
			C 1110 (A,120,114) Capacitor	CEVLW470M16
	R 1651 (B,73,141)	RS1/16SS562J		
	R 1652 (B,73,143)	RS1/16SS332J	C 1111 (A,127,114) Capacitor	CEVLW470M16
	R 1654 (B,110,40)	RS1/16SS272J	C 1117 (A,117,127) 0.1 uF	CCG1357
	R 1656 (A,105,81)	RS1/16SS0R0J	C 1201 (A,91,151) 10 uF	CCG1236
	R 1707 (A,95,115)	RS1/16SS390J	C 1202 (B,91,141)	CKSSYB103K16
			C 1203 (A,91,148)	CKSSYB103K16
	R 1708 (A,91,115)	RS1/16SS390J		
	R 1709 (A,100,115)	RS1/16SS390J	C 1204 (A,151,94) Capacitor	CEVLW470M16
	R 1710 (A,96,115)	RS1/16SS390J	C 1205 (A,160,94)	CKSSYB104K10
	R 1711 (A,90,115)	RS1/16SS390J	C 1206 (A,158,87)	CKSRYB104K50
B	R 1712 (A,87,115)	RS1/16SS390J	C 1207 (A,167,85)	XCEAT102M16
			C 1209 (A,76,92)	CEVW101M16
	R 1713 (A,94,115)	RS1/16SS223J		
	R 1714 (A,92,115)	RS1/16SS223J	C 1210 (B,74,86)	CKSRYB105K16
	R 1715 (A,99,115)	RS1/16SS223J	C 1211 (B,79,98)	CKSRYB105K16
	R 1716 (A,97,115)	RS1/16SS223J	C 1212 (A,84,96)	CEVW101M16
	R 1717 (A,89,115)	RS1/16SS223J	C 1213 (B,109,84)	CKSSYB104K16
			C 1216 (B,101,70)	CCSSCH470J50
	R 1718 (A,88,115)	RS1/16SS223J		
	R 1721 (A,79,132)	RS1/16SS472J	C 1217 (B,109,75) 10 uF	CCG1236
	R 1722 (A,79,134)	RS1/16SS472J	C 1219 (A,167,62)	XCEAT102M16
	R 1723 (A,103,137)	RS1/16SS472J	C 1220 (B,104,78) 10 uF	CCG1236
	R 1724 (A,103,138)	RS1/16SS472J	C 1222 (B,32,18) 10 uF	CCG1192
C			C 1223 (B,31,19)	CKSRYB105K10
	R 1725 (A,99,134)	RS1/16SS472J		
	R 1726 (A,99,133)	RS1/16SS472J	C 1224 (B,150,39)	CCSSCH471J50
	R 1727 (A,94,128)	RS1/16SS223J	C 1225 (B,153,39)	CKSSYB103K16
	R 1728 (A,94,126)	RS1/16SS223J	C 1226 (B,153,36)	CCSSCH8R0D50
	R 1733 (A,94,124)	RS1/16SS223J	C 1227 (B,151,22)	CCSSCH8R0D50
			C 1228 (B,152,22)	CKSSYB103K16
	R 1734 (A,94,122)	RS1/16SS223J		
	R 1736 (A,80,112)	RS1/10SR0R0J	C 1229 (B,149,22)	CCSSCH681J50
	R 1741 (B,64,100)	RS1/16SS152J	C 1230 (A,148,28)	CKSSYB102K50
	R 1742 (B,64,101)	RS1/16SS103J	C 1231 (A,149,28)	CKSSYB104K10
	R 1743 (B,63,95)	RS1/16SS122J	C 1232 (A,141,28) 10 uF	CCG1236
			C 1233 (A,143,28) 10 uF	CCG1236
D	R 1801 (A,36,29)	RS1/4SA5R6J		
	R 1806 (A,18,53)	RS1/16SS221J	C 1234 (A,146,28) 47 uF	CCG1233
	R 1807 (A,22,53)	RS1/16SS751J	C 1236 (B,160,35)	CKSRYB473K50
	R 1808 (A,17,32)	RS1/16SS152J	C 1237 (B,160,27)	CKSRYB102K50
	R 1809 (A,23,34)	RS1/16SS105J	C 1238 (B,160,33) 10 uF	CCG1236
			C 1239 (B,151,25)	CKSSYB104K10
	R 1810 (A,25,30)	RS1/16SS471J		
	R 1811 (A,26,32)	RS1/16SS330J	C 1240 (B,160,28) 10 uF	CCG1236
	R 1812 (A,30,32)	RS1/16SS681J	C 1241 (B,160,31) 10 uF	CCG1236
	R 1814 (A,40,31)	RS1/4SA5R6J	C 1242 (B,153,25)	CKSSYB104K16
	R 1815 (A,36,27)	RS1/4SA5R6J	C 1243 (B,154,38)	CKSSYB104K16
			C 1244 (B,147,37)	CKSSYB104K10
	R 1816 (A,16,37)	RS1/16SS105J		
E	R 1817 (B,38,36)	RS1/16SS102J	C 1245 (B,150,37)	CKSRYB105K10
	R 1819 (A,15,61)	RS1/16SS0R0J	C 1246 (A,157,36) 10 uF	CCG1236
			C 1247 (A,146,35) 47 uF	CCG1233
			C 1248 (A,153,55)	CKSRYB102K50
			C 1249 (A,143,35) 10 uF	CCG1236
	C 1002 (B,128,84)	CKSRYB105K16		
	C 1004 (B,134,90)	CKSSYB102K50	C 1250 (A,151,55) 10 uF	CCG1236
	C 1005 (B,133,72)	CKSSYB104K16	C 1251 (A,141,35) 10 uF	CCG1236
	C 1007 (B,130,79)	CKSSYB104K16	C 1252 (A,167,58) 3 300 uF/16 V	CCH207
	C 1008 (B,135,82)	CKSSYB104K16	C 1253 (A,149,35)	CKSSYB104K10
			C 1254 (A,148,35)	CKSSYB102K50
	C 1101 (A,121,126) 0.22 uF	CCG1313		
F	C 1102 (A,123,126) 0.22 uF	CCG1313	C 1260 (A,33,93)	CKSSYB104K10
	C 1103 (A,127,126) 0.22 uF	CCG1313	C 1262 (A,16,98)	CEVLW101M10
	C 1104 (A,125,126) 0.22 uF	CCG1313	C 1263 (A,41,113)	CKSSYB104K10
	C 1105 (A,129,126) 1 uF	CCG1325	C 1264 (A,135,68)	CKSSYB103K16
			C 1265 (A,137,68) 10 uF	CCG1236

CAPACITORS

5		6		7		8	
<u>Circuit Symbol and No.</u>		<u>Part No.</u>		<u>Circuit Symbol and No.</u>		<u>Part No.</u>	
C 1268	(B,152,57)	CKSSYB682K25		C 1466	(B,93,107) 10 uF	CCG1236	
C 1269	(B,142,61)	CKSSYB103K16		C 1467	(B,102,106)	CCSSCH820J50	
C 1270	(B,146,66) 10 uF	CCG1236		C 1468	(B,106,109)	CKSSYB104K16	A
C 1271	(B,144,64)	CKSSYB103K25		C 1469	(B,116,102) 10 uF	CCG1236	
C 1272	(A,130,69) Capacitor	CEVLW470M16		C 1471	(B,94,103)	CKSRBYB105K10	
C 1273	(B,109,45)	CKSRBYB104K16		C 1472	(B,94,101)	CKSRBYB105K10	
C 1274	(B,150,74)	CKSSYB104K16		C 1473	(B,94,99)	CKSRBYB105K10	
C 1275	(B,150,87) 10 uF	CCG1236		C 1474	(B,94,98)	CKSRBYB105K10	
C 1276	(A,134,83)	CEVLW101M10		C 1476	(B,95,95)	CKSSYB104K10	
C 1277	(B,159,78)	CKSRBYB105K10		C 1477	(B,96,92) 10 uF	CCG1192	
C 1278	(B,156,74)	CKSSYB102K50		C 1479	(B,105,108)	CCSRCH102J50	
C 1279	(B,158,74)	CKSSYB472K25		C 1480	(B,103,107)	CCSSCH101J50	
C 1280	(B,153,74)	CKSSYB104K16		C 1481	(B,94,105)	CCSRCH102J50	
C 1281	(B,157,89)	CCSSCH471J50		C 1482	(B,102,91)	CCSSCH102J50	B
C 1282	(B,155,88)	CKSSYB222K50		C 1483	(B,104,89)	CCSSCH102J50	
C 1283	(B,155,87)	CCSSCH270J50		C 1485	(B,112,94)	CKSSYB103K16	
C 1284	(A,143,90) Capacitor	CEVLW470M16		C 1501	(B,47,95)	CKSSYB271K50	
C 1285	(B,154,85)	CKSSYB104K16		C 1502	(A,52,82)	CKSRBYB105K10	
C 1287	(A,129,81)	CKSSYB104K16		C 1503	(B,56,78)	CKSRBYB105K10	
C 1288	(A,139,84) 22 uF	DCH1256		C 1504	(B,55,78)	CKSRBYB105K10	
C 1293	(A,17,90)	CEVLW101M10		C 1505	(B,51,75)	CKSRBYB105K10	
C 1296	(B,109,77) 10 uF	CCG1236		C 1506	(B,51,78)	CKSRBYB105K10	
C 1297	(B,116,79)	CKSSYB104K10		C 1507	(A,52,81)	CKSSYB104K10	
C 1298	(B,108,45)	CKSSYB104K16		C 1508	(B,62,78)	CKSRBYB105K10	
C 1299	(A,118,46) 10 uF	CCG1192		C 1509	(B,62,80)	CKSRBYB105K10	C
C 1301	(A,35,92)	CKSSYB104K10		C 1510	(B,44,81)	CKSSYB104K10	
C 1302	(A,28,96)	CKSSYB104K10		C 1511	(B,61,81)	CKSRBYB105K10	
C 1303	(A,31,96) 22 uF	CCG1254		C 1512	(B,44,82)	CKSSYB104K10	
C 1304	(A,71,71)	CKSSYB104K10		C 1513	(B,61,82)	CKSRBYB105K10	
C 1305	(A,73,69)	CKSSYB104K10		C 1514	(B,44,83)	CKSSYB104K10	
C 1308	(A,71,60)	CCSSCH8R0D50		C 1515	(B,61,84)	CKSRBYB105K10	
C 1309	(A,73,57)	CCSSCH100D50		C 1516	(B,44,84)	CKSSYB104K10	
C 1310	(A,71,54)	CKSSYB104K10		C 1517	(B,61,86)	CKSRBYB105K10	
C 1312	(A,69,54)	CKSSYB104K10		C 1518	(B,44,86)	CKSRBYB104K10	
C 1314	(A,73,53)	CKSSYB102K50		C 1519	(B,61,87)	CKSRBYB105K10	D
C 1315	(A,97,60)	CKSSYB104K10		C 1520	(B,44,87)	CKSSYB104K10	
C 1316	(A,113,65)	CKSSYB103K16		C 1521	(B,61,88)	CKSRBYB105K10	
C 1317	(A,113,67) 0.1 uF	CCG1321		C 1522	(B,44,88)	CKSSYB104K10	
C 1321	(A,70,54)	CKSSYB105K6R3		C 1523	(B,61,90)	CKSRBYB105K10	
C 1322	(A,68,54)	CKSSYB105K6R3		C 1524	(B,44,89)	CKSSYB104K10	
C 1323	(A,91,43)	CKSSYB104K10		C 1525	(B,61,91)	CKSRBYB105K10	
C 1324	(A,92,47)	CKSSYB104K10		C 1526	(B,44,90)	CKSSYB104K10	
C 1325	(A,78,74)	CKSSYB104K10		C 1527	(B,61,93)	CKSRBYB105K10	
C 1326	(A,79,71)	CKSSYB104K10		C 1528	(B,44,91)	CKSSYB104K10	
C 1327	(A,80,74)	CKSSYB104K10		C 1529	(B,61,94)	CKSRBYB105K10	
C 1329	(A,79,72)	CKSSYB104K10		C 1530	(B,44,92)	CKSSYB104K10	E
C 1390	(A,113,68)	CCSSCH102J50		C 1531	(B,51,95) 10 uF	CCG1192	
C 1451	(B,109,91) 2.2 uF	CCG1218		C 1532	(B,49,94)	CKSSYB104K10	
C 1452	(B,111,103)	CKSRBYB105K10		C 1533	(B,50,94)	CKSRBYB104K10	
C 1453	(B,112,101)	CCSQCH223J50		C 1536	(B,54,96) 10 uF	CCG1192	
C 1454	(B,112,100)	CCSQCH223J50		C 1537	(B,57,96) 10 uF	CCG1192	
C 1455	(B,111,98)	CKSRBYB105K10		C 1538	(A,52,83)	CKSRBYB105K10	
C 1457	(B,112,95)	CKSRBYB105K10		C 1539	(B,51,77)	CKSRBYB105K10	
C 1458	(B,110,94)	CKSRBYB105K10		C 1540	(B,53,94)	CCSSCH102J50	
C 1459	(B,109,105)	CKSRBYB105K10		C 1603	(B,90,67)	CKSSYB104K10	
C 1460	(B,103,90)	CKSSYB104K10		C 1621	(B,70,126)	CCSSCH101J50	F
C 1461	(B,107,90)	CKSRBYB474K10		C 1622	(B,62,126)	CKSRBYB105K10	
C 1462	(B,105,90) 10 uF	CCG1192		C 1623	(B,64,126)	CKSRBYB105K10	
C 1463	(B,103,91)	CCSSCH820J50		C 1624	(B,59,122)	CCSSCH101J50	
C 1464	(B,100,89) 10 uF	CCG1192		C 1625	(B,60,124)	CKSSYB104K10	

	1	2
	<u>Circuit Symbol and No.</u>	<u>Part No.</u>
A	C 1626 (B,70,116) 2.2 uF	CCG1218
	C 1627 (B,70,122) 2.2 uF	CCG1218
	C 1628 (B,58,116)	CKSSYB104K10
	C 1629 (B,57,115)	CCSSCH100D50
	C 1630 (B,68,116) 2.2 uF	CCG1218
B	C 1631 (B,67,133)	CKSQYB225K16
	C 1632 (B,65,133)	CKSQYB225K16
	C 1633 (B,63,133)	CKSQYB225K16
	C 1634 (B,62,133)	CKSQYB225K16
	C 1635 (B,60,133)	CKSQYB225K16
C	C 1639 (B,69,120)	CCSSCH101J50
	C 1640 (B,57,120)	CCSSCH101J50
	C 1641 (B,68,114)	CCSSCH101J50
	C 1645 (B,50,52) 10 uF	CCG1236
	C 1701 (A,79,127)	CKSRYB104K50
D	C 1704 (A,81,125)	CKSRYB104K50
	C 1726 (A,98,128) 2.2 uF	CCG1218
	C 1727 (A,84,129)	CKSSYB104K10
	C 1728 (A,94,113) 4.7 uF	CCG1201
	C 1729 (A,92,113) 4.7 uF	CCG1201
E	C 1730 (A,100,113) 4.7 uF	CCG1201
	C 1731 (A,97,113) 4.7 uF	CCG1201
	C 1732 (A,90,113) 4.7 uF	CCG1201
	C 1733 (A,87,113) 4.7 uF	CCG1201
	C 1734 (A,98,122) 2.2 uF	CCG1218
F	C 1736 (B,66,95)	CKSRYB471K50
	C 1801 (A,15,48)	CCSSCH330J50
	C 1802 (A,17,49)	CCSSCH6R0D50
	C 1803 (A,18,52)	CKSSYB103K16
	C 1804 (A,22,42)	CKSSYB104K10
G	C 1805 (A,21,39)	CKSSYB104K10
	C 1806 (A,21,53)	CKSSYB103K16
	C 1807 (A,21,40)	CKSSYB104K10
	C 1808 (A,23,48)	CKSSYB103K16
	C 1809 (A,23,40)	CKSSYB103K16
H	C 1810 (A,22,38)	CKSSYB103K16
	C 1811 (A,21,36) 10 uF	CCG1192
	C 1812 (A,22,44)	CKSSYB103K16
	C 1813 (A,20,44)	CKSRYB105K10
	C 1814 (A,25,49)	CCSSCH220J50
I	C 1815 (A,25,52)	CKSRYB224K16
	C 1816 (A,26,51)	CKSSYB104K10
	C 1817 (A,24,31) 10 uF	CCG1192
	C 1818 (A,28,51)	CKSRYB105K10
	C 1819 (A,25,32)	CKSSYB104K10
J	C 1820 (A,26,30)	CCSSCH101J50
	C 1821 (A,24,35)	CKSSYB104K10
	C 1822 (A,26,28)	CKSSYB103K16
	C 1823 (A,30,54)	CKSSYB472K25
	C 1824 (A,29,54)	CKSSYB472K25
K	C 1825 (A,31,50)	CKSSYB104K10
	C 1826 (A,30,33)	CCSSCH820J50
	C 1827 (A,32,54)	CCSSCH9R0D50
	C 1828 (A,37,54)	CCSSCH9R0D50
	C 1829 (A,36,31)	CKSRYB474K10
L	C 1830 (A,34,50)	CKSSYB104K10
	C 1832 (A,42,34)	CKSSYB104K10
	C 1833 (A,33,33)	CCSSCH101J50
	C 1834 (A,37,48)	CKSRYB105K10
	C 1835 (A,40,48)	CKSSYB104K10

3	4
<u>Circuit Symbol and No.</u>	<u>Part No.</u>
C 1836 (A,42,36)	CKSSYB104K10
C 1837 (A,39,40)	CKSSYB104K10
C 1838 (A,40,44) 2.2 uF	CCG1218
C 1840 (A,17,37)	CKSSYB103K16
C 1841 (A,21,34)	CKSSYB223K16
C 1843 (A,36,34)	CKSSYB102K50
C 1844 (A,13,48) (A)	CCSSCK2R0C50
C 1848 (A,16,35) (A)	CCSSCJ3R0C50
C 1851 (B,18,42)	CCSSCH220J50
C 1853 (A,33,31)	CCSRCH100D50
C 1854 (B,31,34)	CKSSYB104K10
C 1855 (B,28,118)	CKSSYB104K10
C 1901 (B,47,126)	CKSSYB104K10
C 1920 (A,26,106)	CKSRYB105K10
C 1950 (A,53,26) 10 uF	CCG1236
C 1953 (B,47,60) 10 uF	CCG1192

B
Unit Number : CWN7337
Unit Name : Keyboard Unit

MISCELLANEOUS

IC 2001 (A,133,10) Remote IC	GP1UXC14RK
Q 2001 (B,158,14) Chip Transistor	HN1C01FU
Q 2002 (B,151,15) Transistor	LSCR523UB
D 2001 (A,44,11) LED	SMLVN6RGB2UK(B)
D 2002 (A,162,12) LED	SMLVN6RGB2UK(B)
S 2001 (A,59,16) Switch	CSN1057
S 2002 (A,50,5) Push Switch	CSG1155
S 2003 (A,162,18) Push Switch	CSG1155
S 2004 (A,14,11) Encoder(VOLUME/MUTE)	CSD1168
S 2005 (A,162,6) Push Switch	CSG1155
S 2006 (A,59,6) Push Switch	CSG1155
S 2007 (A,121,6) Push Switch	CSG1155
S 2008 (A,100,6) Push Switch	CSG1155
S 2009 (A,80,6) Push Switch	CSG1155
S 2010 (A,34,11) Push Switch	CSG1155
CN2001 (B,111,12) Connector	CKS6526

RESISTORS

R 2001 (B,145,6)	RS1/10SR101J
R 2003 (B,158,17)	RS1/10SR103J
R 2004 (B,102,14)	RS1/10SR152J
R 2005 (B,154,15)	RS1/10SR680J
R 2006 (B,153,17)	RS1/10SR560J
R 2007 (B,154,18)	RS1/10SR0R0J
R 2008 (B,161,15)	RS1/10SR680J
R 2009 (B,161,17)	RS1/10SR560J
R 2010 (B,161,18)	RS1/10SR0R0J
R 2011 (B,160,13)	RS1/10SR103J
R 2012 (B,155,6)	RS1/10SR183J
R 2015 (B,149,14)	RS1/10SR103J
R 2016 (B,151,18)	RS1/10SR680J
R 2017 (B,153,20)	RS1/10SR560J
R 2018 (B,151,22)	RS1/10SR0R0J
R 2019 (B,65,9)	RS1/10SR152J
R 2020 (B,69,8)	RS1/10SR222J

R 2021 (B,70,9)
R 2022 (B,69,9)

RS1/10SR512J
RS1/10SR123J

R 1200 (A,33,9)
R 1201 (A,33,8)
R 1205 (A,34,22)
R 1210 (B,19,18)

RS1/16SS753J
RS1/16SS753J
RS1/16SS1R0J
RS1/16SS101J

CAPACITORS

C 2002 (B,143,7) 10 uF

CCG1192

R 1211 (A,19,13)
R 1212 (A,20,12)
R 1213 (B,23,21)
R 1214 (B,22,20)
R 1215 (B,24,21)

RS1/16SS102J
RS1/16SS102J
RS1/10SR1R0J
RS1/10SR1R0J
RS1/10SR1R0J



Unit Number : CWX4332
Unit Name : DVD Core Unit(MS7.1)

MISCELLANEOUS

IC 1004 (B,85,55) IC
IC 1005 (B,88,64) IC
IC 1201 (A,27,16) IC
IC 1401 (B,64,35) Flash ROM Unit
IC 1402 (A,86,21) Flash ROM Unit

NJM2885DL1-33
R1232D121B
BD8217EFV
CWW5655
CWW5656

R 1226 (A,22,28)
R 1303 (B,90,22)
R 1304 (B,89,23)
R 1305 (B,89,24)
R 1306 (B,90,24)

RS1/16SS101J
RS1/16SS0R0J
RS1/16SS563J
RS1/16SS243J
RS1/16SS683J

IC 1480 (B,63,14) RAM IC
IC 1501 (A,62,21) IC
IC 1801 (B,44,18) D/A Converter
IC 1900 (B,38,11) IC
IC 1901 (B,73,59) Regulator IC

M12L64164A-5TG2Y
MN2DS0018MA
PCM1753DBQ
S-1200B50-M5
S-1133B50-U5

R 1307 (B,89,22)
R 1314 (B,86,23)
R 1401 (B,75,32)
R 1402 (B,53,31)
R 1405 (B,79,14)

RS1/16SS243J
RAB4CQ822J
RS1/16SS221J
RS1/16SS104J
RS1/16SS104J

Q 1101 (B,64,52) Transistor
Q 1102 (B,68,50) Transistor
Q 1103 (B,64,57) Transistor
Q 1104 (B,64,45) Transistor
L 1003 (B,83,62) Inductor

LSCR523UB
LSCR523UB
2SB1132
2SB1132
CTF1757

R 1406 (B,80,11)
R 1480 (B,56,22)
R 1481 (B,61,23)
R 1482 (B,65,22)
R 1483 (B,68,22)

RS1/16SS472J
RAB4CQ560J
RAB4CQ560J
RAB4CQ560J
RAB4CQ560J

L 1004 (B,85,71) Inductor
L 1500 (A,45,15) Inductor
L 1512 (A,59,6) Inductor
L 1900 (A,92,71) Inductor
L 1901 (A,84,71) Inductor

CTF1295
CTF1387
CTF1743
CTF1487
CTF1558

R 1484 (B,71,22)
R 1485 (B,54,6)
R 1486 (B,59,6)
R 1487 (B,68,6)
R 1488 (B,72,6)

RAB4CQ560J
RAB4CQ560J
RAB4CQ560J
RAB4CQ560J
RAB4CQ560J

L 1902 (A,78,68) Inductor
X 1501 (A,45,12) Resonator 27.000 MHz
F 1900 (A,89,72) Chip EMI Filter
F 1901 (A,85,73) Chip EMI Filter
CN1101 (A,42,44) Connector

CTF1734
CSS1768
DTF1106
DTL1106
CKS5775

R 1489 (B,63,6)
R 1490 (B,54,22)
R 1501 (A,47,11)
R 1503 (A,47,13)
R 1504 (A,43,15)

RS1/16SS560J
RS1/16SS560J
RS1/16SS122J
RS1/16SS105J
RS1/16SS100J

CN1201 (A,25,36) Connector
CN1301 (B,91,13) Connector
CN1901 (A,74,57) Connector

CKS6528
CKS5705
CKS6025

R 1505 (A,48,15)
R 1506 (A,41,16)
R 1507 (A,42,17)
R 1508 (A,47,17)
R 1509 (A,66,39)

RS1/16SS101J
RS1/16SS101J
RS1/16SS101J
RS1/16SS221J
RS1/16SS102J

RESISTORS

R 1101 (B,61,50)
R 1102 (B,67,52)
R 1103 (B,67,54)
R 1104 (B,62,52)
R 1105 (B,70,49)

RS1/16SS104J
RS1/16SS104J
RS1/16SS391J
RS1/16SS511J
RS1/16SS4300F

R 1510 (A,66,36)
R 1512 (A,61,6)
R 1513 (A,68,44)
R 1514 (A,68,38)
R 1515 (A,71,39)

RS1/16SS102J
RS1/16SS101J
RS1/16SS103J
RS1/16SS183J
RS1/16SS472J

R 1106 (B,69,52)
R 1109 (B,68,54)
R 1110 (B,60,49)
R 1111 (B,60,59)
R 1112 (B,60,54)

RS1/16SS5600F
RS1/16SS3R3J
RS1/16SS3R3J
RS1/10SR2R2J
RS1/10SR2R2J

R 1516 (A,66,42)
R 1517 (A,78,17)
R 1518 (A,78,25)
R 1519 (A,77,29)
R 1522 (A,66,41)

RS1/16SS104J
RS1/16SS103J
RS1/16SS103J
RS1/16SS102J
RS1/16SS104J

R 1113 (B,70,47)
R 1114 (B,67,44)
R 1115 (B,60,56)
R 1116 (B,60,57)
R 1117 (B,67,46)

RS1/10SR3R3J
RS1/10SR3R9J
RS1/10SR2R2J
RS1/10SR2R2J
RS1/10SR3R9J

R 1523 (A,67,39)
R 1524 (A,74,43)
R 1525 (A,69,38)
R 1526 (A,70,40)
R 1527 (A,69,36)

RS1/16SS221J
RS1/16SS472J
RS1/16SS223J
RS1/16SS103J
RS1/16SS223J

R 1118 (B,67,47)

RS1/10SR3R9J

R 1528 (A,79,19)

RS1/16SS103J

1

2

3

4

Circuit Symbol and No.**Part No.****Circuit Symbol and No.****Part No.**

R 1529	(A,77,20)	RS1/16SS103J	C 1113	(B,68,57)	CKSYB226K6R3
R 1530	(B,54,28)	RS1/16SS104J	C 1201	(B,28,17)	CKSYB475K16
R 1531	(A,67,41)	RS1/16SS391J	C 1202	(B,28,20)	CKSSYB104K16
R 1534	(A,74,39)	RS1/16SS221J	C 1205	(A,33,23)	CKSSYB103K16
R 1535	(A,78,29)	RS1/16SS101J	C 1206	(A,36,23)	CKSRYB104K16
R 1536	(A,72,39)	RS1/16SS104J	C 1207	(A,33,20)	CKSRYB104K16
R 1537	(A,73,41)	RS1/16SS104J	C 1208	(A,33,15)	CKSSYB104K16
R 1538	(A,64,7)	RS1/16SS104J	C 1212	(A,32,25)	CKSSYB104K16
R 1539	(A,79,32)	RS1/16SS101J	C 1213	(B,22,26)	CKSSYB222K50
R 1540	(A,73,40)	RS1/16SS221J	C 1214	(B,22,28)	CKSRYB104K16
R 1541	(A,75,41)	RS1/16SS221J	C 1218	(A,19,10)	CKSRYB104K16
R 1542	(A,76,34)	RS1/16SS104J	C 1219	(A,21,9)	CKSRYB104K16
R 1543	(A,70,38)	RS1/16SS561J	C 1220	(B,23,13)	CEVW101M16
R 1544	(A,77,34)	RS1/16SS104J	C 1401	(B,76,32)	CKSSYB103K16
R 1545	(A,78,21)	RS1/16SS103J	C 1403	(B,53,34)	CKSSYB104K10
R 1546	(A,78,23)	RS1/16SS103J	C 1404	(B,51,37)	CKSQYB475K6R3
R 1548	(A,77,30)	RS1/16SS101J	C 1408	(B,82,14)	CKSSYB104K10
R 1550	(B,49,27)	RS1/16SS6801D	C 1409	(B,79,15)	CKSQYB475K6R3
R 1551	(B,50,26)	RS1/16SS4702D	C 1480	(B,51,20)	CKSSYB104K10
R 1556	(A,61,48)	RS1/16SS472J	C 1481	(B,51,21)	CKSSYB104K10
R 1600	(A,44,26)	RS1/16SS0R0J	C 1482	(B,59,21)	CKSSYB104K10
R 1601	(A,47,24)	RS1/16SS123J	C 1484	(B,63,21)	CKSSYB104K10
R 1602	(A,43,25)	RS1/16SS123J	C 1485	(B,74,22)	CKSSYB104K10
R 1603	(A,42,28)	RN1/16SE1002D	C 1487	(B,62,6)	CKSSYB104K10
R 1604	(A,54,38)	RS1/16SS105J	C 1488	(B,57,6)	CKSSYB104K10
R 1605	(A,54,36)	RS1/16SS105J	C 1489	(B,75,18)	CKSQYB106K6R3
R 1611	(A,47,25)	RS1/16SS105J	C 1501	(B,47,31)	CKSQYB106K6R3
R 1702	(A,48,22)	RS1/16SS3002D	C 1502	(B,83,20)	CKSQYB106K6R3
R 1704	(A,42,22)	RS1/16SS2402D	C 1503	(A,63,6)	CKSSYB104K10
R 1705	(A,41,19)	RS1/16SS1002D	C 1504	(A,53,7)	CKSSYB104K10
R 1706	(A,42,20)	RS1/16SS101J	C 1505	(A,56,7)	CKSSYB104K10
R 1708	(B,52,23)	RS1/16SS2000D	C 1506	(A,58,7)	CKSSYB104K10
R 1801	(B,35,13)	RS1/10SR0R0J	C 1507	(A,65,7)	CKSSYB104K10
R 1803	(B,39,21)	RS1/16SS821J	C 1508	(A,69,7)	CKSSYB104K10
R 1804	(B,39,20)	RS1/16SS821J	C 1509	(A,71,7)	CKSSYB104K10
R 1805	(B,32,17)	RS1/16SS104J	C 1510	(A,47,9)	CCSSCH120J50
R 1806	(B,36,16)	RS1/16SS104J	C 1511	(A,48,11)	CKSSYB104K10
R 1905	(A,81,66)	RS1/16SS101J	C 1512	(A,45,14)	CCSSCH100D50
R 1910	(A,79,69)	RS1/16SS101J	C 1513	(B,76,12)	CKSSYB104K10
R 1911	(A,69,49)	RS1/16SS101J	C 1514	(A,48,14)	CKSSYB104K10
R 1915	(A,64,48)	RS1/16SS0R0J	C 1515	(A,48,17)	CKSSYB104K10
			C 1516	(B,76,15)	CKSSYB104K10
			C 1517	(A,77,18)	CKSSYB104K10
			C 1518	(B,77,23)	CKSSYB104K10
			C 1519	(A,77,28)	CKSSYB104K10
			C 1520	(A,78,32)	CKSSYB104K10
			C 1521	(A,62,36)	CKSSYB104K10
			C 1522	(A,68,36)	CKSSYB104K10
			C 1523	(A,70,36)	CKSSYB471K50
			C 1524	(A,68,40)	CKSSYB473K16
			C 1525	(A,69,40)	CKSSYB103K16
			C 1526	(A,67,37)	CKSSYB103K16
			C 1528	(A,72,38)	CCSSCH471J50
			C 1529	(A,69,42)	CKSSYB103K16
			C 1530	(B,50,27)	CKSSYB104K10
			C 1531	(A,71,41)	CKSSYB473K16
			C 1601	(A,44,28)	CKSSYB103K16
			C 1602	(A,48,23)	CCSSCH101J50
			C 1603	(A,43,24)	CCSSCH101J50
			C 1604	(A,45,24)	CCSSCH680J50

CAPACITORS

C 1008	(B,79,63)	10 uF	DCH1201		
C 1009	(B,79,64)	10 uF	DCH1201		
C 1010	(B,79,55)		CKSQYB225K10		
C 1011	(B,78,53)		CKSRYB105K10		
C 1013	(B,84,66)	10 uF	DCH1201		
C 1014	(B,83,68)	10 uF	DCH1201		
C 1101	(B,70,54)	10 uF	CCG1192		
C 1104	(B,61,53)		CKSSYB104K10		
C 1105	(B,61,49)		CKSSYB104K10		
C 1106	(B,62,60)		CKSSYB103K16		
C 1107	(B,65,42)		CKSSYB103K16		
C 1108	(A,38,35)		CKSSYB103K16		
C 1109	(A,39,34)		CKSRYB224K16		
C 1110	(A,37,37)		CKSSYB103K16		
C 1111	(A,41,36)		CKSRYB224K16		
C 1112	(B,60,45)		CKSYB226K6R3		

1

2

3

4

5
Circuit Symbol and No.

C 1605 (A,41,25)
C 1606 (A,40,29)
C 1607 (A,50,38)
C 1608 (A,47,33)

C 1609 (A,54,40)
C 1610 (A,55,38)
C 1611 (A,55,36)
C 1612 (A,55,40)
C 1613 (A,56,40)

C 1614 (A,57,40)
C 1615 (A,57,38)
C 1616 (A,57,36)
C 1617 (A,58,36)
C 1618 (A,60,38)

C 1619 (A,59,36)
C 1620 (A,60,36)
C 1621 (A,61,38)
C 1622 (A,62,38)
C 1623 (A,48,33)

C 1624 (A,61,40)
C 1625 (A,60,40)
C 1628 (A,47,26)
C 1700 (A,48,21)
C 1701 (A,47,19)

C 1702 (A,41,23)
C 1703 (A,44,22)
C 1704 (A,40,22)
C 1801 (A,82,50)
C 1802 (B,50,16) 10 uF

C 1805 (B,38,15)
C 1808 (B,32,19)
C 1809 (B,35,19)
C 1810 (B,33,18)
C 1811 (B,36,18)

C 1901 (B,35,10)
C 1902 (B,39,8)
C 1903 (B,33,7)
C 1904 (A,70,46)
C 1905 (A,86,70)

C 1906 (B,75,63)
C 1907 (B,70,58) 4.7 uF
C 1908 (A,90,70)

6
Part No.

CCSSCH680J50
CKSSYB104K10
CKSQYB106K6R3
CKSRYB105K10

CKSSYB104K10
CKSSYB104K10
CKSSYB104K10
CKSSYB104K10
CKSSYB104K10

CKSSYB104K10
CKSSYB104K10
CKSSYB104K10
CKSSYB104K10
CCSSCH101J50

CKSSYB562K25
CKSSYB224K6R3
CKSSYB224K6R3
CKSSYB333K16
CKSRYB105K10

CKSSYB104K10
CKSSYB104K10
CKSSYB103K16
CKSSYB104K10
CKSSYB104K10

CKSRYB105K10
CKSSYB104K10
CKSSYB104K10
CKSSYB104K10
CCG1192

CKSSYB104K10
CCSRCH182J50
CCSRCH182J50
CKSQYB475K6R3
CKSQYB475K6R3

CKSRYB105K10
CKSRYB105K16
CKSSYB104K10
CCSSCH101J50
CKSSYB102K50

CKSSYB104K16
CCG1201
CKSSYB102K50

7
Circuit Symbol and No.

MISCELLANEOUS

S 1206 Spring Switch(CLAMP)

F

Unit Number : CWN7351(A,B)

Unit Number : CWN7350(C,D)

Unit Name : Monitor Unit

MISCELLANEOUS

IC 171 (A,17,87) Regulator IC MM3526A33P
IC 173 (A,80,106) Regulator IC BD001A5WEFJ
IC 175 (A,55,92) Regulator IC MM1856A15N
IC 201 (A,133,51) IC AK4187VN
IC 231 (A,110,65) Regulator IC MM1856A50N

IC 232 (A,29,108) IC BH7673G
IC 233 (A,45,108) IC BH7673G
IC 234 (A,37,108) IC BH7673G
IC 235 (A,21,108) IC BH7673G
IC 236 (A,62,59) IC R5S72690RW266FP

IC 237 (A,42,48) IC TC7SZ34FU
IC 381 (A,75,25) RAM IC M12L128168A-5TG2N
IC 401 (A,87,84) Flash ROM Unit(Service) (A,B) CXX5303
(A,87,84) Flash ROM Unit(Service) (C,D) CXX5302
IC 402 (A,57,31) IC MX25L8006EM2I-12G
IC 421 (A,75,85) IC 337S3959

IC 431 (A,102,17) IC WM8761BGED
IC 451 (A,33,87) IC ML86V7675TBZA3A
IC 551 (A,110,82) IC BD81A04EFV-M
IC 601 (A,17,65) IC R1290K103A
Q 111 (A,12,31) Transistor LSAR523UB

Q 112 (A,10,35) Transistor LSCR523UB
Q 231 (A,27,103) Transistor LSCR523UB
Q 232 (A,42,103) Transistor LSCR523UB
Q 233 (A,34,103) Transistor LSCR523UB
Q 234 (A,19,103) Transistor LSCR523UB

Q 421 (A,74,90) Transistor LSAR523UB
Q 601 (A,13,59) Transistor LTC014EEB
Q 602 (A,26,63) Transistor 2SA1577
D 201 (A,130,43) Diode DZ2S068C
D 202 (A,128,40) Diode DZ2S068C

D 203 (A,131,40) Diode DZ2S068C
D 204 (A,127,40) Diode DZ2S068C
D 551 (A,122,83) Diode DB2X41400
D 601 (A,16,56) Diode DB3S308F0
D 602 (A,25,58) Diode DB3S308F0

D 603 (A,25,55) Diode DB3S308F0
D 604 (A,22,73) Diode RB162M-40
L 111 (A,23,46) Chip Ferrite Bead BTX1042
L 112 (A,18,43) Inductor DTL1096
L 113 (A,21,43) Inductor DTL1096

L 114 (A,15,45) Inductor CTF1635
L 115 (A,10,40) Inductor LCTAW101J2520
L 236 (A,30,103) Inductor CTF1545
L 237 (A,46,103) Inductor CTF1545
L 238 (A,38,103) Inductor CTF1545

L 239 (A,22,103) Inductor CTF1545

D

Unit Number : CWX4034

Unit Name : Compound Unit(A)

MISCELLANEOUS

S 1201 Spring Switch(12cm) CSN1080
S 1202 Spring Switch(8cm) CSN1080
S 1203 Spring Switch(DISC SENS) CSN1082
S 1204 Spring Switch(DISC SENS) CSN1083
S 1205 Spring Switch(8cm) CSN1081

E

Unit Number : CWX3394

Unit Name : Compound Unit(B)

1

2

3

4

Circuit Symbol and No.**Part No.****Circuit Symbol and No.****Part No.**

L 242	(A,79,60) Inductor	CTF1786	R 132	(A,30,46)	RS1/16SS75R0D
L 243	(A,70,77) Inductor	CTF1545	R 133	(A,29,45)	RS1/16SS82R0D
L 246	(A,39,48) Chip Beads	VTL1126	R 134	(A,30,44)	RS1/16SS200J
L 248	(A,37,71) Chip Beads	VTL1126			
L 249	(A,39,70) Chip Beads	VTL1126	R 135	(A,29,43)	RS1/16SS47R0D
L 250	(A,37,70) Chip Beads	VTL1126	R 136	(A,30,43)	RS1/16SS0R0J
L 251	(A,38,63) Chip Beads	VTL1126	R 137	(A,30,42)	RS1/16SS56R0D
L 252	(A,36,62) Chip Beads	VTL1126	R 138	(A,31,41)	RS1/16SS0R0J
L 253	(A,38,61) Chip Beads	VTL1126	R 139	(A,29,41)	RS1/16SS1800D
L 254	(A,36,61) Chip Beads	VTL1126	R 140	(A,28,40)	RS1/16SS0R0J
L 255	(A,38,60) Chip Beads	VTL1126	R 141	(A,28,38)	RS1/16SS82R0D
L 256	(A,36,60) Chip Beads	VTL1126	R 142	(A,30,39)	RS1/16SS0R0J
L 257	(A,38,58) Chip Beads	VTL1126	R 144	(A,11,29)	RS1/16SS153J
L 258	(A,36,58) Chip Beads	VTL1126	R 146	(A,9,30)	RS1/16SS105J
L 259	(A,38,57) Chip Beads	VTL1126	R 148	(A,11,33)	RS1/16SS153J
L 260	(A,38,56) Chip Beads	VTL1126	R 149	(A,13,35)	RS1/16SS472J
L 261	(A,36,56) Chip Beads	VTL1126	R 150	(A,14,33)	RS1/16SS101J
L 262	(A,38,55) Chip Beads	VTL1126	R 151	(A,9,33)	RS1/16SS273J
L 263	(A,38,53) Chip Beads	VTL1126	R 152	(A,13,33)	RS1/16SS334J
L 264	(A,38,52) Chip Beads	VTL1126	R 172	(A,13,90)	RS1/10SR0R0J
L 265	(A,40,51) Chip Beads	VTL1126	R 173	(A,13,84)	RS1/16SS0R0J
L 267	(A,43,46) Ferrite Bead	CTF1528	R 174	(A,21,91)	RS1/10SR0R0J
L 381	(A,62,35) Inductor	CTF1786	R 176	(A,107,100)	RS1/10SR0R0J
L 382	(A,77,74) Inductor	CTF1645	R 178	(A,75,107)	RS1/16SS472J
L 401	(A,89,92) Inductor	CTF1786	R 179	(A,74,108)	RS1/16SS223J
L 431	(A,98,26) Inductor	CTF1786	R 180	(A,76,105)	RS1/16SS473J
L 451	(A,40,79) Inductor	CTF1680	R 182	(A,57,103)	RS1/10SR0R0J
L 553	(A,123,77) Inductor	CTH1571	R 183	(A,58,91)	RS1/16SS102J
L 554	(A,115,81) Inductor	CTF1545	R 201	(A,126,49)	RS1/10SR0R0J
L 555	(A,115,62) Inductor	CTF1629	R 202	(A,130,49)	RS1/16SS201J
L 601	(A,23,69) Choke Coil 22 uH	CTH1426	R 204	(A,137,54)	RS1/16SS472J
TH101	(A,121,23) Thermistor	CCX1058	R 205	(A,137,51)	RS1/16SS472J
X 231	(A,57,82) Resonator 48.000 MHz	CSS1760	R 206	(A,130,43)	RS1/16SS0R0J
X 232	(A,67,82) Crystal Resonator 13.333 33 MHz	CSS1840	R 207	(A,132,48)	RS1/16SS621J
X 233	(A,39,66) Resonator 16.93 MHz	CSS1794	R 208	(A,134,48)	RS1/16SS181J
X 451	(A,45,82) Crystal Resonator 32.000 MHz	CSS1818	R 209	(A,137,53)	RS1/16SS0R0J
CN101	(A,105,53) Connector	CKS6467	R 210	(A,134,47)	RS1/16SS0R0J
CN111	(A,35,32) Connector	CKS6536	R 211	(A,137,52)	RS1/16SS0R0J
CN201	(A,129,33) Connector	CKS6548	R 212	(A,136,50)	RS1/16SS620J
CN551	(A,130,89) Connector	CKS4428	R 213	(A,130,54)	RS1/16SS0R0J

RESISTORS

R 111	(A,17,26)	RS1/16SS473J	R 238	(A,21,113)	RS1/16SS750J
R 112	(A,16,29)	RS1/16SS473J	R 239	(A,27,105)	RS1/16SS101J
R 114	(A,16,25)	RS1/16SS473J	R 240	(A,43,105)	RS1/16SS101J
R 115	(A,17,28)	RS1/16SS473J	R 241	(A,34,105)	RS1/16SS101J
R 117	(A,88,63)	RS1/16SS473J	R 242	(A,20,105)	RS1/16SS101J
R 118	(A,38,49)	RS1/16SS473J	R 243	(A,33,107)	RS1/10SR0R0J
R 121	(A,21,50)	RS1/16SS39R0D	R 244	(A,70,88)	RS1/16SS104J
R 122	(A,23,50)	RS1/16SS2R2J	R 245	(A,75,76)	RS1/16SS102J
R 123	(A,25,49)	RS1/16SS1300D	R 246	(A,73,79)	RS1/16SS0R0J
R 124	(A,27,51)	RS1/16SS47R0D	R 247	(A,74,79)	RS1/16SS0R0J
R 125	(A,28,50)	RS1/16SS51R0D	R 249	(A,53,42)	RS1/16SS273J
R 126	(A,29,51)	RS1/16SS0R0J	R 250	(A,82,61)	RS1/16SS0R0J
R 127	(A,30,50)	RS1/16SS39R0D	R 251	(A,78,44)	RS1/16SS104J
R 128	(A,31,50)	RS1/16SS1R2J	R 255	(A,81,47)	RS1/16SS472J
R 129	(A,30,49)	RS1/16SS75R0D	R 256	(A,79,47)	RS1/16SS472J
R 130	(A,31,48)	RS1/16SS1R5J	R 257	(A,82,47)	RS1/16SS472J
R 131	(A,29,47)	RS1/16SS1300D	R 258	(A,81,48)	RS1/16SS472J

1

2

3

4

5		6		7		8	
<u>Circuit Symbol and No.</u>		<u>Part No.</u>		<u>Circuit Symbol and No.</u>		<u>Part No.</u>	
R 259	(A,81,50)	RS1/16SS472J		R 335	(A,41,53)	RS1/16SS181J	
R 260	(A,81,51)	RS1/16SS472J		R 339	(A,79,55)	RS1/16SS101J	
R 262	(A,83,53)	RS1/16SS104J		R 341	(A,67,42)	RS1/16SS222J	
R 263	(A,79,57)	RS1/16SS104J		R 342	(A,78,77)	RS1/16SS0R0J	A
R 264	(A,81,70)	RS1/16SS104J		R 344	(A,45,42)	RS1/16SS0R0J	
R 265	(A,80,71)	RS1/16SS104J		R 345	(A,49,41)	RS1/16SS0R0J	
R 266	(A,83,68)	RS1/16SS473J		R 346	(A,43,52)	RS1/16SS0R0J	
R 267	(A,77,76)	RS1/16SS104J		R 381	(A,67,14)	RAB4CQ221J	
R 268	(A,55,76)	RS1/16SS2402F		R 382	(A,72,14)	RAB4CQ221J	
R 269	(A,57,79)	RS1/16SS681J		R 383	(A,77,16)	RAB4CQ471J	
R 270	(A,57,86)	RS1/16SS5601F		R 384	(A,80,16)	RAB4CQ471J	
R 271	(A,67,78)	RS1/16SS222J		R 385	(A,83,16)	RAB4CQ471J	
R 272	(A,71,79)	RS1/16SS473J		R 386	(A,76,33)	RS1/16SS471J	
R 273	(A,72,76)	RS1/16SS473J		R 387	(A,70,36)	RAB4CQ221J	B
R 274	(A,59,85)	RS1/16SS103J		R 388	(A,74,36)	RAB4CQ221J	
R 275	(A,59,87)	RS1/16SS101J		R 389	(A,82,34)	RAB4CQ471J	
R 276	(A,79,83)	RS1/16SS183J		R 390	(A,84,33)	RAB4CQ471J	
R 277	(A,71,87)	RS1/16SS473J		R 391	(A,79,33)	RS1/16SS471J	
R 279	(A,81,77)	RS1/16SS103J		R 393	(A,78,33)	RS1/16SS221J	
R 280	(A,75,77)	RS1/16SS273J		R 401	(A,79,66)	RS1/16SS220J	
R 281	(A,83,63)	RS1/16SS104J		R 402	(A,83,69)	RS1/16SS470J	
R 282	(A,78,74)	RS1/16SS0R0J		R 403	(A,81,68)	RS1/16SS470J	
R 283	(A,61,39)	RS1/16SS473J		R 404	(A,83,74)	RS1/16SS470J	
R 284	(A,88,64)	RS1/16SS0R0J		R 405	(A,81,89)	RS1/16SS470J	
R 285	(A,42,67)	RS1/16SS152J		R 406	(A,91,92)	RS1/16SS470J	C
R 286	(A,44,73)	RS1/16SS102J		R 409	(A,53,28)	RS1/16SS0R0J	
R 287	(A,28,69)	RAB4CQ473J		R 410	(A,59,37)	RS1/16SS101J	
R 288	(A,84,61)	RS1/16SS0R0J		R 411	(A,57,36)	RS1/16SS101J	
R 290	(A,86,61)	RS1/16SS0R0J		R 412	(A,53,29)	RS1/16SS0R0J	
R 291	(A,88,65)	RS1/16SS0R0J		R 413	(A,60,35)	RS1/16SS0R0J	
R 294	(A,85,64)	RS1/16SS0R0J		R 421	(A,76,83)	RS1/16SS222J	
R 295	(A,86,67)	RS1/16SS0R0J		R 422	(A,78,87)	RS1/16SS183J	
R 296	(A,46,44)	RS1/16SS101J		R 423	(A,75,83)	RS1/16SS222J	
R 297	(A,45,44)	RS1/16SS101J		R 424	(A,72,87)	RS1/16SS472J	
R 298	(A,38,46)	RS1/16SS181J		R 425	(A,77,83)	RS1/16SS101J	
R 299	(A,54,76)	RS1/16SS473J		R 426	(A,74,83)	RS1/16SS101J	D
R 300	(A,53,78)	RS1/16SS473J		R 427	(A,78,83)	RS1/16SS221J	
R 301	(A,41,71)	RS1/16SS181J		R 431	(A,104,23)	RS1/16SS821J	
R 302	(A,51,78)	RS1/16SS473J		R 432	(A,102,23)	RS1/16SS821J	
R 303	(A,42,70)	RS1/16SS181J		R 451	(A,46,88)	RS1/16SS222J	
R 304	(A,51,76)	RS1/16SS473J		R 452	(A,43,93)	RS1/16SS750J	
R 305	(A,47,76)	RS1/16SS473J		R 453	(A,50,90)	RS1/10SR0R0J	
R 306	(A,41,70)	RS1/16SS181J		R 454	(A,44,88)	RS1/16SS472J	
R 307	(A,41,63)	RS1/16SS181J		R 455	(A,25,86)	RS1/16SS473J	
R 308	(A,52,76)	RS1/16SS473J		R 456	(A,45,86)	RS1/16SS101J	
R 309	(A,39,62)	RS1/16SS181J		R 457	(A,43,86)	RS1/16SS101J	
R 310	(A,41,61)	RS1/16SS181J		R 458	(A,23,86)	RS1/16SS561J	E
R 311	(A,45,48)	RS1/16SS0R0J		R 459	(A,41,83)	RS1/16SS105J	
R 312	(A,66,77)	RS1/16SS0R0J		R 460	(A,42,84)	RS1/16SS821J	
R 313	(A,39,61)	RS1/16SS181J		R 461	(A,35,79)	RS1/16SS221J	
R 316	(A,41,60)	RS1/16SS181J		R 462	(A,34,77)	RS1/16SS221J	
R 317	(A,39,60)	RS1/16SS181J		R 463	(A,33,79)	RS1/16SS221J	
R 319	(A,41,58)	RS1/16SS181J		R 464	(A,33,77)	RS1/16SS221J	
R 321	(A,39,58)	RS1/16SS181J		R 465	(A,32,79)	RS1/16SS221J	
R 323	(A,41,57)	RS1/16SS181J		R 466	(A,32,77)	RS1/16SS221J	
R 325	(A,41,56)	RS1/16SS181J		R 467	(A,31,79)	RS1/16SS221J	
R 327	(A,39,56)	RS1/16SS181J		R 468	(A,30,77)	RS1/16SS221J	
R 329	(A,41,55)	RS1/16SS181J		R 469	(A,30,79)	RS1/16SS151J	F
R 331	(A,39,54)	RS1/16SS181J		R 470	(A,29,77)	RS1/16SS181J	
R 333	(A,41,54)	RS1/16SS181J		R 471	(A,29,79)	RS1/16SS561J	

1

Circuit Symbol and No.

R 472 (A,41,81)
 R 473 (A,41,79)
 R 474 (A,37,79)

A

R 475 (A,45,88)
 R 476 (A,50,88)
 R 477 (A,46,101)
 R 480 (A,45,94)
 R 481 (A,28,98)

R 482 (A,33,99)
 R 483 (A,44,96)
 R 484 (A,37,99)
 R 485 (A,40,97)
 R 553 (A,104,81)

B

R 554 (A,104,80)
 R 555 (A,104,84)
 R 556 (A,104,85)
 R 558 (A,115,79)
 R 561 (A,116,79)

R 564 (A,115,77)
 R 565 (A,115,78)
 R 604 (A,20,61)
 R 605 (A,16,59)
 R 606 (A,12,61)

C

R 607 (A,12,60)
 R 608 (A,12,56)
 R 609 (A,15,71)
 R 610 (A,17,59)
 R 611 (A,16,61)

R 612 (A,11,67)
 R 613 (A,10,65)
 R 614 (A,24,66)
 R 615 (A,13,62)
 R 616 (A,19,59)

D

R 617 (A,19,61)
 R 618 (A,20,68)
 R 619 (A,14,74)
 R 620 (A,13,71)
 R 621 (A,14,61)

R 622 (A,12,69)
 R 623 (A,14,71)
 R 624 (A,13,69)
 R 625 (A,117,83)

CAPACITORS

C 101 (A,121,24)
 C 102 (A,136,113)
 C 103 (A,111,58)
 C 111 (A,30,37)
 C 113 (A,25,52)

E

C 115 (A,28,52)
 C 117 (A,31,52)
 C 119 (A,33,51)
 C 121 (A,33,48)
 C 123 (A,32,46)

F

C 125 (A,32,43)
 C 127 (A,32,42)
 C 129 (A,32,39)
 C 131 (A,33,37) 1 uF
 C 133 (A,23,39)

2

Part No.

RS1/16SS473J
 RS1/16SS101J
 RS1/16SS220J

RS1/16SS222J
 RS1/10SR0R0J
 RS1/10SR0R0J
 RS1/16SS0R0J
 RS1/16SS750J

RS1/16SS750J
 RS1/10SR0R0J
 RS1/16SS750J
 RS1/16SS750J
 RS1/16SS104J

RS1/16SS154J
 RS1/16SS183J
 RS1/16SS511J
 RS1/16SS3302D
 RS1/16SS2202D

RS1/16SS1203D
 RS1/16SS1602D
 RS1/16SS0R0J
 RS1/16SS3901D
 RS1/16SS1502D

RS1/16SS1502D
 RS1/16SS0R0J
 RS1/16SS103J
 RS1/16SS3603D
 RS1/16SS6802D

RS1/16SS203J
 RS1/16SS104J
 RS1/16SS103J
 RS1/16SS472J
 RS1/16SS1103D

RS1/16SS1002D
 RS1/16SS2R2J
 RS1/10SR0R0J
 RS1/16SS3303D
 RS1/16SS8201D

RS1/16SS3902D
 RS1/16SS472J
 RS1/16SS5601D
 RS1/16SS2R2J

CKSSYB104K10
 CKSRYB105K10
 CKSSYB104K10
 CKSSYB104K16
 CKSYB475K16

CKSSYB104K16
 CKSSYB104K16
 CKSSYB104K16
 CKSRYB105K10
 CKSRYB105K10

CKSSYB104K10
 CKSSYB104K10
 CKSSYB104K10
 DCH1246
 CKSRYB104K50

3

Circuit Symbol and No.

C 134 (A,24,43)
 C 135 (A,23,48)
 C 137 (A,18,37)
 C 138 (A,17,40) 4.7 uF
 C 140 (A,17,46)

C 142 (A,20,37)
 C 143 (A,20,38)
 C 144 (A,20,41) 10 uF
 C 146 (A,14,36)
 C 148 (A,14,38)

C 150 (A,13,42) 10 uF
 C 151 (A,13,47)
 C 153 (A,9,29)
 C 154 (A,11,37) 10 uF
 C 155 (A,49,37)

C 156 (A,31,37)
 C 171 (A,16,91) 4.7 uF
 C 172 (A,19,91) 4.7 uF
 C 176 (A,75,109)
 C 177 (A,85,107)

C 181 (A,53,89)
 C 182 (A,59,91)
 C 183 (A,15,83)
 C 201 (A,128,52) 10 uF
 C 202 (A,134,56) 10 uF

C 203 (A,130,51)
 C 204 (A,133,54)
 C 205 (A,132,39)
 C 206 (A,128,42)
 C 207 (A,126,39)

C 208 (A,131,42)
 C 231 (A,14,102) 10 uF
 C 232 (A,113,65)
 C 233 (A,107,65)
 C 236 (A,28,111)

C 237 (A,30,111)
 C 238 (A,44,111)
 C 239 (A,46,111)
 C 240 (A,36,111)
 C 241 (A,38,111)

C 242 (A,20,111)
 C 243 (A,22,111)
 C 244 (A,29,105)
 C 245 (A,45,105)
 C 246 (A,37,105)

C 247 (A,22,105)
 C 248 (A,29,104)
 C 249 (A,44,104)
 C 250 (A,37,104)
 C 251 (A,21,103)

C 256 (A,50,43)
 C 257 (A,55,43)
 C 258 (A,58,43)
 C 259 (A,60,42)
 C 260 (A,62,42)

C 261 (A,65,42)
 C 262 (A,68,42)
 C 263 (A,73,41)
 C 264 (A,81,60)
 C 265 (A,79,46)

4

Part No.

CKSQYB334K50
 CKSSYB103K25
 CKSSYB104K16
 CCG1201
 CKSQYB225K16

CKSSYB102K50
 CKSSYB104K10
 CCG1234
 CKSSYB102K50
 CKSSYB104K16

CCG1236
 CKSSYB102K50
 CKSSYB104K16
 CCG1236
 CKSSYB102K50

CKSSYB102K50
 CCG1201
 CCG1201
 CKSRYB105K10
 CKSRYB105K10

CKSRYB105K10
 CKSRYB105K10
 CKSSYB153K16
 CCG1192
 CCG1192

CKSSYB104K10
 CKSSYB104K10
 CKSSYB103K16
 CKSSYB103K16
 CKSSYB103K16

CKSSYB103K16
 CCG1192
 CKSRYB105K16
 CKSRYB105K16
 CKSRYB105K10

CKSRYB105K10
 CKSRYB105K10
 CKSRYB105K10
 CKSRYB105K10
 CKSRYB105K10

CKSRYB105K10
 CKSRYB105K10
 CKSSYB104K10
 CKSSYB104K10
 CKSSYB104K10

CKSSYB104K10
 CKSSYB104K10
 CKSSYB104K10
 CKSSYB104K10
 CKSSYB104K10

CKSSYB104K16
 CKSSYB104K16
 CKSSYB104K16
 CKSSYB104K16
 CKSSYB104K16

CKSSYB104K16
 CKSSYB104K16
 CKSSYB104K16
 CCSSCH470J50
 CKSSYB104K16

5		6		7		8	
<u>Circuit Symbol and No.</u>		<u>Part No.</u>		<u>Circuit Symbol and No.</u>		<u>Part No.</u>	
C 266	(A,82,50)	CKSSYB104K16		C 386	(A,68,33)	CKSSYB104K10	
C 267	(A,79,50)	CKSSYB104K16		C 387	(A,73,33)	CKSSYB104K10	
C 268	(A,79,53)	CKSSYB104K16		C 401	(A,89,90)	CKSSYB104K10	A
C 269	(A,82,54)	CKSSYB104K16		C 402	(A,54,36)	CKSSYB104K10	
C 270	(A,80,58)	CKSSYB104K16		C 421	(A,78,86)	CKSSYB104K10	
C 271	(A,79,59)	CKSSYB104K16		C 422	(A,78,85)	CKSSYB102K50	
C 272	(A,79,61)	CKSSYB104K16		C 432	(A,108,20) 10 uF	CCG1192	
C 273	(A,79,63)	CKSSYB104K16		C 433	(A,99,22)	CKSSYB104K10	
C 274	(A,82,66)	CKSSYB104K16		C 435	(A,103,26)	CKSSYB182K50	
C 275	(A,79,67)	CKSSYB104K16		C 436	(A,102,25)	CKSSYB182K50	
C 276	(A,79,69)	CKSSYB104K16		C 451	(A,34,96)	CKSSYB474K6R3	
C 277	(A,79,71)	CKSSYB104K16		C 452	(A,33,96)	CKSSYB474K6R3	
C 278	(A,78,73)	CKSSYB104K16		C 453	(A,33,95)	CKSSYB474K6R3	
C 279	(A,48,76)	CKSSYB104K16		C 454	(A,36,96)	CKSSYB103K16	B
C 280	(A,50,76)	CKSSYB104K16		C 455	(A,36,95)	CCSSCH102J50	
C 281	(A,56,77)	CKSSYB104K16		C 456	(A,35,95)	CKSSYB103K25	
C 282	(A,57,76)	CKSSYB104K16		C 457	(A,42,96) 10 uF	CCG1192	
C 283	(A,60,76)	CKSSYB104K16		C 458	(A,40,93)	CCSSCH102J50	
C 284	(A,59,78)	CKSSYB104K16		C 459	(A,25,92)	CKSSYB104K10	
C 285	(A,61,80)	CKSSYB104K16		C 460	(A,41,93)	CKSSYB103K16	
C 286	(A,61,76)	CKSSYB104K16		C 461	(A,25,90)	CKSSYB104K10	
C 287	(A,65,79)	CKSSYB104K16		C 462	(A,42,91)	CKSRYP105K10	
C 288	(A,68,76)	CKSSYB104K16		C 463	(A,48,89) 10 uF	CCG1192	
C 289	(A,70,76)	CKSSYB104K16		C 464	(A,41,90)	CKSSYB104K10	
C 290	(A,72,77)	CKSSYB104K16		C 465	(A,42,88)	CKSSYB104K10	C
C 291	(A,59,86)	CKSSYB105K6R3		C 466	(A,25,88)	CKSSYB104K10	
C 292	(A,55,83)	CCSSCH8R0D50		C 467	(A,42,86)	CKSSYB104K10	
C 293	(A,59,81)	CCSSCH100D50		C 468	(A,25,85)	CKSSYB104K10	
C 294	(A,66,80)	CCSSCH120J50		C 469	(A,25,83)	CKSSYB104K10	
C 295	(A,70,82)	CCSSCH120J50		C 470	(A,44,80)	CCSSCH5R0C50	
C 296	(A,45,49)	CKSSYB104K16		C 471	(A,46,84)	CCSSCH6R0D50	
C 297	(A,44,51)	CKSSYB104K16		C 472	(A,51,87) 10 uF	CCG1192	
C 298	(A,44,52)	CKSSYB104K16		C 473	(A,37,77)	CKSSYB104K10	
C 299	(A,44,54)	CKSSYB104K16		C 474	(A,35,77)	CKSSYB104K10	
C 300	(A,44,56)	CKSSYB104K16		C 475	(A,40,81)	CKSSYB103K16	
C 301	(A,44,59)	CKSSYB104K16		C 476	(A,42,100) 10 uF	CCG1192	D
C 302	(A,44,60)	CKSSYB104K16		C 478	(A,32,100)	CKSRYP105K10	
C 303	(A,45,62)	CKSSYB104K16		C 479	(A,29,96)	CKSRYP105K10	
C 304	(A,45,65)	CKSSYB104K16		C 480	(A,30,95)	CKSSYB103K16	
C 305	(A,42,65)	CCSSCH120J50		C 481	(A,30,96)	CCSSCH102J50	
C 306	(A,45,67)	CKSSYB104K16		C 482	(A,35,98)	CKSRYP105K10	
C 307	(A,40,68)	CCSSCH120J50		C 483	(A,38,96)	CKSRYP105K10	
C 308	(A,45,70)	CKSSYB104K16		C 486	(A,26,98)	CKSSYB104K10	
C 309	(A,72,107)	CKSSYB103K16		C 487	(A,26,97) 1 uF	DCH1246	
C 310	(A,73,101)	CKSSYB103K16		C 488	(A,30,97)	CKSSYB103K16	
C 311	(A,73,105) 10 uF	CCG1192		C 551	(A,107,88) 10 uF	CCG1236	E
C 312	(A,72,101) 10 uF	CCG1192		C 552	(A,103,85)	CKSSYB104K10	
C 315	(A,65,76) 1 uF	DCH1246		C 553	(A,104,86)	CKSSYB104K10	
C 317	(A,81,56)	CKSRYP224K16		C 554	(A,118,63) 10 uF	CCG1236	
C 319	(A,42,46)	CKSSYB103K16		C 555	(A,127,70) 10 uF	CCG1236	
C 320	(A,81,80)	CCSSCH101J50		C 556	(A,116,84) 2.2 uF	CCG1218	
C 321	(A,14,103)	CKSSYB102K50		C 557	(A,127,72) 10 uF	CCG1236	
C 322	(A,70,101)	CCSRCH102J50		C 558	(A,120,85) 10 uF	CCG1236	
C 323	(A,70,104)	CCSRCH102J50		C 559	(A,120,87) 10 uF	CCG1236	
C 324	(A,69,101)	CCSRCH331J50		C 560	(A,120,90) 22 uF	CCG1254	
C 325	(A,69,104)	CCSRCH331J50		C 601	(A,13,67)	CKSSYB224K6R3	F
C 381	(A,64,16)	CKSSYB104K10		C 603	(A,13,64)	CKSSYB105K6R3	
C 382	(A,67,17)	CKSSYB104K10		C 604	(A,18,58)	CKSSYB104K16	
C 383	(A,71,17)	CKSSYB104K10		C 605	(A,20,70)	CKSSYB332K50	
C 384	(A,75,16)	CKSSYB104K10		C 606	(A,18,69)	CKSSYB102K50	
C 385	(A,85,16)	CKSSYB104K10					

1

Circuit Symbol and No.

2

Part No.

3

Circuit Symbol and No.

4

Part No.**RESISTORS**

R 51 (A,11,12)
R 52 (A,11,11)
R 53 (A,11,9)
R 54 (A,11,10)

RS1/16SS272J
RS1/16SS273J
RS1/16SS472J
RS1/16SS563J

CAPACITORS

C 51 (A,11,19)
C 52 (A,9,14)

CKSSYB104K10
CKSSYB104K10

C 607 (A,14,56) CKSRYB105K16
C 608 (A,16,69) CKSSYB105K6R3
C 609 (A,22,56) CKSQYB105K25
C 611 (A,22,55) CKSQYB105K25
C 612 (A,19,55) CKSRYB104K50

C 613 (A,26,60) CKSQYB474K25
C 614 (A,27,56) CKSQYB474K25
C 616 (A,23,62) CKSYB475K16
C 617 (A,12,65) CKSSYB102K50
C 618 (A,24,74) CKSQYB475K6R3

C 619 (A,15,61) CKSSYB103K16
C 620 (A,19,60) CKSSYB561K50
C 621 (A,19,74) 10 uF CCG1236
C 622 (A,17,74) 10 uF CCG1236
C 623 (A,14,69) CKSSYB102K50

C 624 (A,13,63) CKSSYB224K6R3
C 625 (A,119,84) CKSSYB332K50

G**Unit Number: EWX2008****Unit Name : Main PCB Unit****MISCELLANEOUS**

IC 1 (A,24,20) IC BA6247FP
Q 1 (A,14,17) Transistor LTC024EEB
D 1 (A,16,16) Diode DZ2J056M0
S 1 (A,27,46) Spring Switch(DEG0) CSN1081
CN1 (A,25,6) Connector CKS6063

RESISTORS

R 1 (A,17,13) RS1/16SS272J
R 2 (A,19,15) RS1/16SS471J
R 3 (A,23,25) RS1/16SS102J
R 4 (A,27,26) RS1/16SS102J
R 5 (A,27,25) RS1/16SS102J
R 6 (A,16,13) RS1/16SS183J

CAPACITORS

C 1 (A,12,24) CEVW101M16
C 2 (A,27,15) CKSSYB104K16
C 3 (A,21,15) CKSRYB105K16
C 4 (A,31,25) CKSSYB104K16
C 5 (A,20,36) CKSSYB223K16
C 6 (A,14,35) CKSSYB223K16
C 7 (A,15,11) CKSSYB104K10

H**Unit Number: EWX2009****Unit Name : SW PCB Unit****MISCELLANEOUS**

S 51 (A,17,7) Spring Switch(CLOSE) CSN1080
S 52 (A,15,15) Spring Switch(OPEN) CSN1080
VR51 (A,11,30) Variable Resistor 10 kohm CCW1029