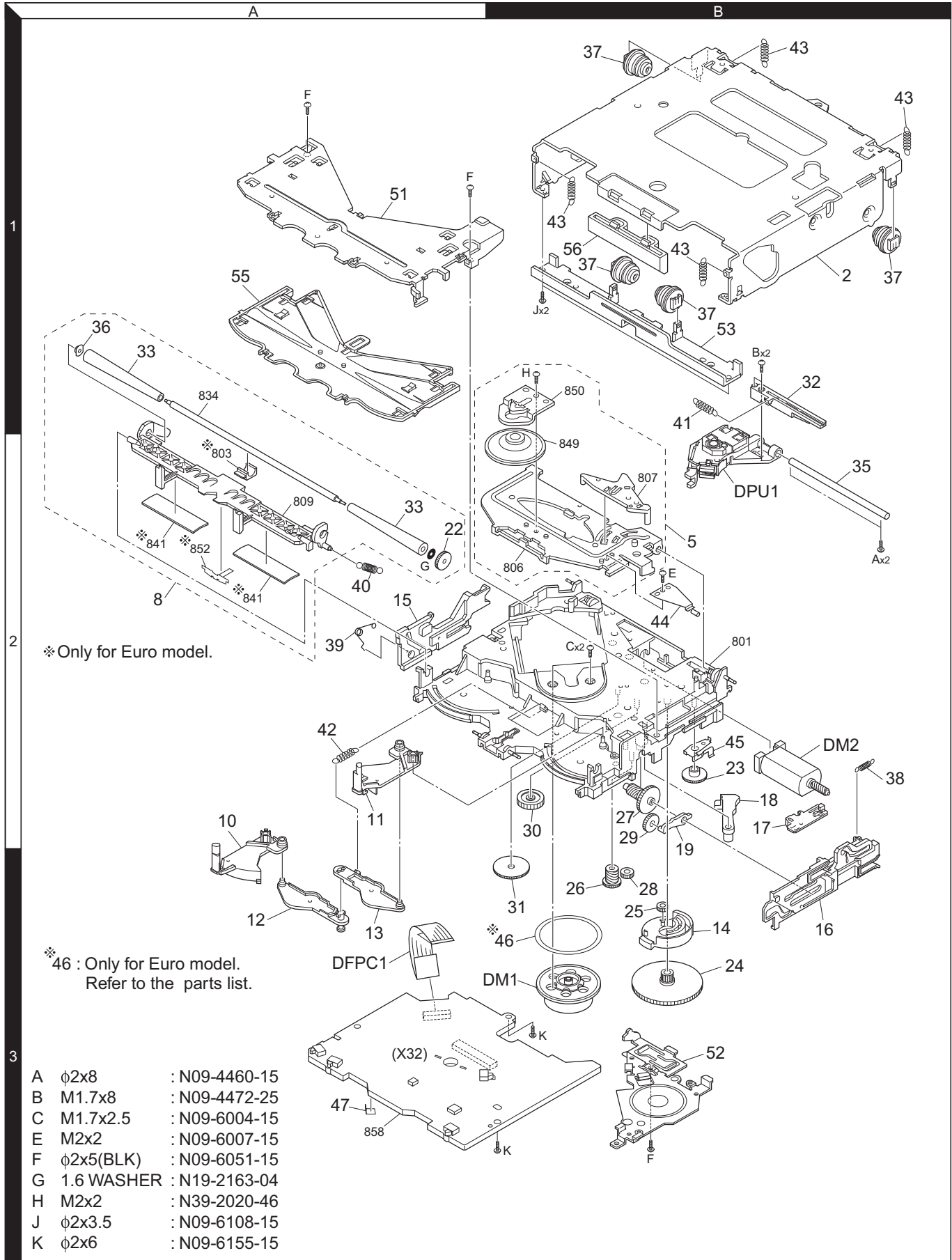
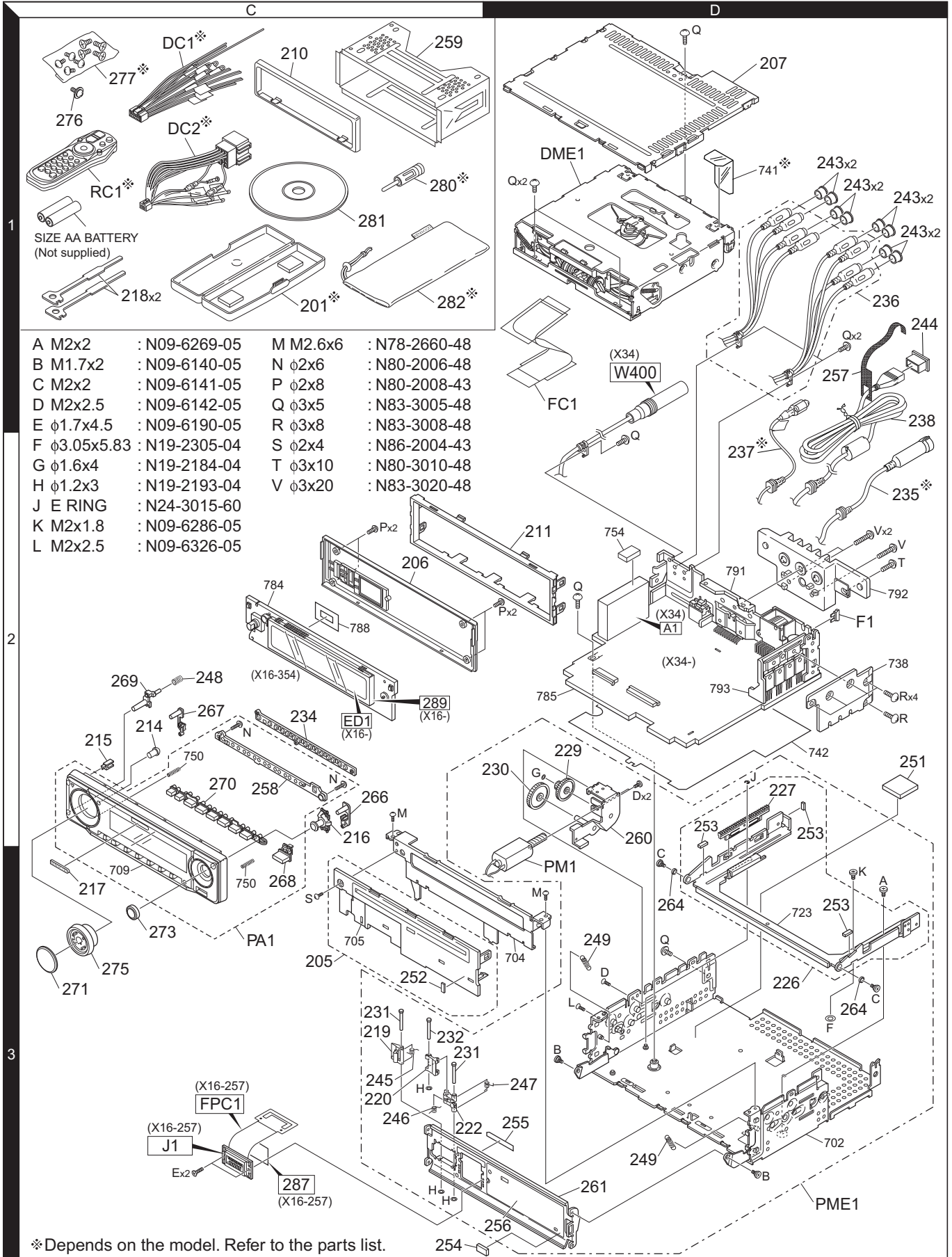


EXPLODED VIEW (CD MECHANISM)



EXPLODED VIEW (UNIT)



Parts with the exploded numbers larger than 700 are not supplied.

PARTS LIST

* New parts

Parts without **Parts No.** are not supplied.

Les articles non mentionnés dans le **Parts No.** ne sont pas fournis.

Teile ohne **Parts No.** werden nicht geliefert.

Ref. No.	A d d	N e w	Parts No.	Description	Desti- nation
KDC-W7534U/W7534UY/X890/X9533U					
201	1C		A02-2732-03	PLASTIC CABINET ASSY	M1
205	3C		A22-3023-22	SUB PANEL ASSY	
206	2C		A46-1817-01	REAR COVER	
207	1D		A52-0845-12	TOP PLATE	
PA1	3C	*	A64-3736-02	PANEL ASSY	K
PA1	3C	*	A64-3738-02	PANEL ASSY	E1E2
PA1	3C	*	A64-3739-02	PANEL ASSY	M1
PME1	3D		A10-5205-22	CHASSIS ASSY	
RC1	1C		A70-2067-15	REMOTE CONTROLLER ASSY	KM1
-			B46-0612-14	ID CARD	E1E2M1
-			B46-0681-04	ID CARD	K
-			B46-0682-00	WARRANTY CARD	KE1M1
-			B58-1426-04	CAUTION CARD	K
-		*	B59-1850-00	SUB-INSTRUCTION MANUAL	
-		*	B64-3382-00	INSTRUCTION MANUAL (ENGLISH)	K
-		*	B64-3383-00	INSTRUCTION MANUAL (FRENCH)	K
-		*	B64-3384-00	INSTRUCTION MANUAL (SPANISH)	K
-		*	B64-3385-00	INSTRUCTION MANUAL (ENGLISH)	E1E2
-		*	B64-3386-00	INSTRUCTION MANUAL (FRE.GER.)	E1
-		*	B64-3387-00	INSTRUCTION MANUAL (DUT.ITA.)	E1
-		*	B64-3388-00	INSTRUCTION MANUAL (SPA.POR.)	E1
-		*	B64-3389-00	INSTRUCTION MANUAL (RUSSIAN)	E2
-		*	B64-3390-00	INSTRUCTION MANUAL (ENG.T-CHI)	M1
-		*	B64-3391-00	INSTRUCTION MANUAL (ARABIC)	M1
210	1C		B07-3125-01	ESCUTCHEON	
211	2C		B07-3095-02	ESCUTCHEON	
214	2C		B10-4837-04	FRONT GLASS	
215	2C		B19-2359-04	LIGHTING BOARD	
216	2C		B19-2360-03	LIGHTING BOARD	
217	3C		B43-1518-04	BADGE	
218	1C		D10-4589-04	LEVER	
219	3C		D10-4805-03	LEVER	
220	3C		D10-4806-03	LEVER	
222	3C		D10-4807-13	LEVER	
226	3D		D10-4875-13	SLIDER ASSY	
227	2D		D13-2318-13	RACK (GEAR)	
229	2D		D13-2320-04	GEAR	
230	2D		D13-2321-04	GEAR	
231	3C		D21-2442-04	SHAFT	
232	3C		D21-2443-04	SHAFT	
234	2C		E29-2026-03	CONDUCTIVE RUBBER	
235	2D		E30-6292-15	CORD WITH DIN CONNECTOR	E1E2
236	1D		E30-6435-05	CORD WITH PINPLUG	KM1
236	1D		E30-6436-05	CORD WITH PINPLUG	E1E2
237	2D		E30-6533-05	CORD WITH CONNECTOR	K
238	2D	*	E30-6588-05	CORD WITH CONNECTOR (USB 1m)	
△ DC1	1C		E30-6408-05	DC CORD	KM1
△ DC2	1C		E30-6412-05	DC CORD	E1E2
FC1	1D	*	E39-0814-05	FLAT CABLE (30P)	
243	1D		F29-0626-04	INSULATING COVER	
244	1D	*	F29-0637-04	INSULATING COVER	
△ F1	2D		F52-0023-05	FUSE (MINI BLADE TYPE)10A	

Ref. No.	A d d	N e w	Parts No.	Description	Desti- nation
245	3C		G01-3210-04	TORSION COIL SPRING	
246	3C		G01-3211-04	TORSION COIL SPRING	
247	3D		G01-3212-04	TORSION COIL SPRING	
248	2C		G01-3213-04	COMPRESSION SPRING	
249	3D		G01-3215-04	EXTENSION SPRING	
251	2D	*	G16-1642-04	SHEET	
252	3C		G11-3594-04	CUSHION	
253	2D		G11-3646-04	CUSHION	
254	3D		G16-1606-04	SHEET	
255	3D		G16-1482-14	SHEET	
256	3D		G16-1483-04	SHEET	
-		*	H10-4925-12	POLYSTYRENE FOAMED FIXTURE	
-			H25-0329-04	PROTECTION BAG (280X450X0.03)	KE2M1
-			H25-0337-04	PROTECTION BAG (180X300X0.03)	
-			H25-1111-04	PROTECTION BAG (280X450X0.03)	E1
-		*	H54-3775-03	ITEM CARTON CASE	K
-		*	H54-3777-03	ITEM CARTON CASE	E1
-		*	H54-3778-03	ITEM CARTON CASE	E2
-		*	H54-3779-03	ITEM CARTON CASE	M1
257	1D	*	H30-0594-04	MAGIC TAPE	K
258	2C		J19-7053-02	HOLDER	
259	1C		J21-9716-03	MOUNTING HARDWARE ASSY	
260	2D		J22-0114-03	MOUNTING HARDWARE ASSY	
261	3D		J22-0263-02	MOUNTING HARDWARE	
264	3D		J31-1062-04	COLLAR	
266	2C		K24-4428-13	PUSH KNOB (EJECT)	
267	2C		K24-4431-13	PUSH KNOB (ATT)	
268	2C	*	K24-4292-13	PUSH KNOB (SRC)	
269	2C		K24-4434-03	PUSH KNOB (RELEASE)	
270	2C		K25-1780-02	PUSH KNOB (PRESET)	
271	3C		K28-0103-03	KEY TOP (VOL)	
273	3C		K28-0106-03	KEY TOP (CONTROL)	
275	3C		K29-7194-03	KNOB (VOL)	
276	1C		N09-6280-05	TAPPING SCREW	
277	1C		N99-1758-05	SCREW SET	KM1
A	3D		N09-6269-05	STEPPED SCREW	
B	3D		N09-6140-05	STEPPED SCREW (P SCREW1)	
C	3D		N09-6141-05	STEPPED SCREW (P SCREW2)	
D	3D		N09-6142-05	MACHINE SCREW	
E	3C		N09-6190-05	TAPPING SCREW	
F	3D		N19-2305-04	FLAT WASHER	
G	2D		N19-2184-04	FLAT WASHER	
H	3C		N19-2193-04	FLAT WASHER	
J	2D		N24-3015-60	E TYPE RETAINING RING	
K	2D		N09-6286-05	STEPPED SCREW	
L	3D		N09-6326-05	MACHINE SCREW	
M	2C		N78-2660-48	PAN HEAD TAPTITE SCREW	
N	2C		N80-2006-48	PAN HEAD TAPTITE SCREW	
P	2C		N80-2008-43	PAN HEAD TAPTITE SCREW	
Q	1D		N83-3005-48	PAN HEAD TAPTITE SCREW	
R	2D		N83-3008-48	PAN HEAD TAPTITE SCREW	
S	3C		N86-2004-43	BINDING HEAD TAPTITE SCREW	

E1 : KDC-W7534U E2 : KDC-W7534UY (Europe)
K : KDC-X890 (North America) M1 : KDC-X9533U (Other Areas)

△ Indicates safety critical components.

PARTS LIST

KDC-W7534U/W7534UY/X890/X9533U

Ref. No.	Add	New	Parts No.	Description	Destination
280 PM1	1C 2D		T90-0523-05 T42-1086-14	ANTENNA ADAPTOR MOTOR ASSY	E1E2
281	1C	*	W01-1673-05	COMPACT DISC	KM1
281	1C	*	W01-1674-05	COMPACT DISC	E1E2
282	1C		W01-1661-05	CARRYING CASE	E1E2
282	1C		W01-1664-05	CARRYING CASE	K
DME1	1D	*	X92-5580-00	CD MECHANISM ASSY (DXM-6820W)	KM1
DME1	1D	*	X92-5580-04	CD MECHANISM ASSY (DXM-6824W)	E1E2
SUB-CIRCUIT UNIT (X16-2570-12)					
J1			E58-1038-05	RECTANGULAR RECEPTACLE	
287	3C		F20-2284-14	INSULATING SHEET	
FPC1	3C	*	J86-0025-05	FPC (LEAD FREE)	
SWITCH UNIT (X16-354x-xx)					
D1-3			B30-1605-05	LED (2COLOR PG/RED)	
D5-7			B30-1729-05	LED (1608,BLUE)	
D8-12			B30-1605-05	LED (2COLOR PG/RED)	
D13-15			B30-1729-05	LED (1608,BLUE)	
D16-18			B30-1605-05	LED (2COLOR PG/RED)	
C2-4			CK73GB1H103K	CHIP C 0.010UF K	
C6-8			CK73GB1H103K	CHIP C 0.010UF K	
C10			CK73GB1A105K	CHIP C 1.0UF K	
C11,12			CK73GB1H332K	CHIP C 3300PF K	M1
C13			CK73EB1A475K	CHIP C 4.7UF K	M1
C15			CK73FB1A225K	CHIP C 2.2UF K	M1
C16-18			CK73GB1H103K	CHIP C 0.010UF K	
C20-23			CK73GB1H103K	CHIP C 0.010UF K	
C24,25			CK73GB1H473K	CHIP C 0.047UF K	
C26,27			CK73GB1H103K	CHIP C 0.010UF K	
C28,29			CK73GB1A105K	CHIP C 1.0UF K	
C30			CK73GB1H103K	CHIP C 0.010UF K	
C31			CC73GCH1H221J	CHIP C 220PF J	
C32			CK73FB1A225K	CHIP C 2.2UF K	
C33			CK73GB1H103K	CHIP C 0.010UF K	
C34			CK73GB1C224K	CHIP C 0.22UF K	
C35,36			CK73GB1H103K	CHIP C 0.010UF K	
C37			C93-1217-05	CHIP C 0.047UF 100WW	
C38			CK73FB1A225K	CHIP C 2.2UF K	
C39			CK73FB0J106K	CHIP C 10UF K	
C40			CK73GB1H104K	CHIP C 0.10UF K	
C41,42			CK73FB0J106K	CHIP C 10UF K	
C43			CC73GCH1H101J	CHIP C 100PF J	
C44			CK73GB1H104K	CHIP C 0.10UF K	
C47			CC73GCH1H150J	CHIP C 15PF J	E1E2
C48			CC73GCH1H470J	CHIP C 47PF J	E1E2
C49			CC73GCH1H150J	CHIP C 15PF J	E1E2
C50			CC73GCH1H470J	CHIP C 47PF J	E1E2
J1			E59-0846-05	RECTANGULAR PLUG	
289	2C		J19-7054-03	HOLDER	
L5		*	L40-3975-38	SMALL FIXED INDUCTOR (39NH)	E1E2
L9		*	L40-4775-38	SMALL FIXED INDUCTOR (47NH)	E1E2

Ref. No.	Add	New	Parts No.	Description	Destination
X1			L78-1208-05	RESONATOR (6.6M)	
CP1,2			RK74HB1J223J	CHIP-COM 22K J 1/16W	K
CP2			RK74HB1J223J	CHIP-COM 22K J 1/16W	E1E2M1
CP3			RK74GA1J223J	CHIP-COM 22K J 1/16W	
CP4			RK74HB1J472J	CHIP-COM 4.7K J 1/16W	
CP5			RK74GA1J332J	CHIP-COM 3.3K J 1/16W	
CP6			RK74GA1J473J	CHIP-COM 47K J 1/16W	
CP7			RK74HB1J473J	CHIP-COM 47K J 1/16W	
CP8			RK74GA1J331J	CHIP-COM 330 J 1/16W	
CP9-14			RK74HB1J331J	CHIP-COM 330 J 1/16W	
CP15			RK74HB1J223J	CHIP-COM 22K J 1/16W	
CP16			RK74HB1J331J	CHIP-COM 330 J 1/16W	
CP17			RK74HB1J223J	CHIP-COM 22K J 1/16W	
CP18			RK74HB1J331J	CHIP-COM 330 J 1/16W	
CP19			RK74HB1J223J	CHIP-COM 22K J 1/16W	
CP20			RK74GA1J101J	CHIP-COM 100 J 1/16W	
CP21			RK74HB1J331J	CHIP-COM 330 J 1/16W	
CP22			RK74HB1J223J	CHIP-COM 22K J 1/16W	
CP23			RK74HB1J101J	CHIP-COM 100 J 1/16W	
CP24			RK74HB1J102J	CHIP-COM 1.0K J 1/16W	
CP25			RK74HB1J332J	CHIP-COM 3.3K J 1/16W	
CP26			RK74HB1J223J	CHIP-COM 22K J 1/16W	
CP27			RK74HB1J101J	CHIP-COM 100 J 1/16W	
CP28			RK74GA1J101J	CHIP-COM 100 J 1/16W	
CP29			RK74HB1J101J	CHIP-COM 100 J 1/16W	
CP30			RK74HB1J102J	CHIP-COM 1.0K J 1/16W	
CP31			RK74HB1J223J	CHIP-COM 22K J 1/16W	
CP34			RK74HB1J473J	CHIP-COM 47K J 1/16W	
CP35			RK74GA1J223J	CHIP-COM 22K J 1/16W	
R2			RK73FB2B681J	CHIP R 680 J 1/8W	
R3,4			RK73FB2B361J	CHIP R 360 J 1/8W	
R5-7			RK73EB2E471J	CHIP R 470 J 1/4W	
R8			RK73FB2B271J	CHIP R 270 J 1/8W	
R9			RK73GB2A333J	CHIP R 33K J 1/10W	
R10			RK73GB2A512J	CHIP R 5.1K J 1/10W	M1
R11			RK73GB2A223J	CHIP R 22K J 1/10W	KE1E2
R11,12			RK73GB2A223J	CHIP R 22K J 1/10W	M1
R13			RK73GB2A222J	CHIP R 2.2K J 1/10W	
R14			RK73GB2A103J	CHIP R 10K J 1/10W	M1
R15 , 16			RK73GB2A274J	CHIP R 270K J 1/10W	M1
R17			RK73GB2A472J	CHIP R 4.7K J 1/10W	
R18			RK73GB2A473J	CHIP R 47K J 1/10W	
R19			RK73GB2A100J	CHIP R 10 J 1/10W	M1
R20			RK73GB2A332J	CHIP R 3.3K J 1/10W	
R23,24			RK73GB2A472J	CHIP R 4.7K J 1/10W	
R25			RK73GB2A101J	CHIP R 100 J 1/10W	K
R26			RK73GB2A223J	CHIP R 22K J 1/10W	E1E2M1
R27,28			RK73GB2A103J	CHIP R 10K J 1/10W	
R29			RK73GB2A102J	CHIP R 1.0K J 1/10W	
R30			RK73GB2A223J	CHIP R 22K J 1/10W	E1E2M1
R31			RK73GB2A223J	CHIP R 22K J 1/10W	K
R33			RK73GB2A102J	CHIP R 1.0K J 1/10W	
R34			RK73GB2A101J	CHIP R 100 J 1/10W	
R36			RK73GB2A101J	CHIP R 100 J 1/10W	

E1 : KDC-W7534U E2 : KDC-W7534UY (Europe)
K : KDC-X890 (North America) M1 : KDC-X9533U (Other Areas)

△ Indicates safety critical components.

PARTS LIST

SWITCH UNIT (X16-354x-xx)

Ref. No.	A d d	N e w	Parts No.	Description	Desti- nation
R37			RK73GB2A473J	CHIP R 47K J 1/10W	
R38			RK73GB2A102J	CHIP R 1.0K J 1/10W	
R39-41			RK73GB2A473J	CHIP R 47K J 1/10W	
R42			RK73GB2A472J	CHIP R 4.7K J 1/10W	
R43,44			RK73PB2H120J	CHIP R 12 J 1/2W	
R45			RK73EB2E101J	CHIP R 100 J 1/4W	KE1E2
R45-49			RK73EB2E101J	CHIP R 100 J 1/4W	M1
R47-49			RK73EB2E101J	CHIP R 100 J 1/4W	KE1E2
R50			RK73EB2E102J	CHIP R 1.0K J 1/4W	
R52			RK73GB2A223J	CHIP R 22K J 1/10W	
R53			RK73GB2A222J	CHIP R 2.2K J 1/10W	
R54			RK73EB2E333J	CHIP R 33K J 1/4W	
R55			RK73GB2A473J	CHIP R 47K J 1/10W	
R56			RK73GB2A222J	CHIP R 2.2K J 1/10W	
R58			RK73GB2A222J	CHIP R 2.2K J 1/10W	
R59			RK73GB2A473J	CHIP R 47K J 1/10W	
R60			RK73FB2B220J	CHIP R 22 J 1/8W	
R61			RK73GB2A104J	CHIP R 100K J 1/10W	
R62			RK73PB2H2R7J	CHIP R 2.7 J 1/2W	
R64			RK73GB2A223J	CHIP R 22K J 1/10W	
R66			RK73EB2E821J	CHIP R 820 J 1/4W	
W1,2			R92-2053-05	CHIP R 0 OHM J 1/8W	
S2			S70-0901-05	TACT SWITCH	
S17,18			S70-0901-05	TACT SWITCH	
S19			S70-0941-05	TACT SWITCH	
S1			T99-0456-15	ROTARY ENCODER	
D22,23			DA204U	DIODE	
ED1			JN12823AB	FLUORESCENT INDICATOR TUBE	
IC1		*	MX231613T17V2	ROM IC	E1E2M1
IC1		*	S29JL32H717V3	ROM IC	K
IC2			BA3830F	ANALOGUE IC	M1
IC4		*	703134AGJ011A	MICROCONTROLLER IC	
IC5			BD5237FVE	ANALOGUE IC	
IC6			PNA4S22M02KW	ANALOGUE IC	
IC7			TC74LVX08FT	MOS-IC	
IC8			TC7WT126FU-F	MOS-IC	
IC9			TC7SH32FU-F	MOS-IC	
IC10			SI-3025KMN	ANALOGUE IC	
IC11			SI-3033LUSNF	ANALOGUE IC	
Q1,2			2SC4617	TRANSISTOR	
Q3-5			2SD2351 (W)	TRANSISTOR	
Q6			2SB1689	TRANSISTOR	
Q7			2SA1774	TRANSISTOR	
Q8			DTC143ZE	DIGITAL TRANSISTOR	
Q9			2SC4617	TRANSISTOR	
Q10			2SA1774	TRANSISTOR	
Q11			2SC2713-F	TRANSISTOR	
Q12			2SC4667-F	TRANSISTOR	
Q13			2SB1198K	TRANSISTOR	
CD PLAYER UNIT (X32-5870-00)					
C3			CK73GB1A105K	CHIP C 1.0UF K	
C4			CC73GCH1H101J	CHIP C 100PF J	
C5			CK73GB1A105K	CHIP C 1.0UF K	

Ref. No.	A d d	N e w	Parts No.	Description	Desti- nation
C7			CK73GB0J225K	CHIP C 2.2UF K	
C8			CK73GB1A105K	CHIP C 1.0UF K	
C12-14			CK73GB1H104K	CHIP C 0.10UF K	
C17,18			CK73GB1H104K	CHIP C 0.10UF K	
C21			CK73GB1H102K	CHIP C 1000PF K	
C25,26			CK73GB1H104K	CHIP C 0.10UF K	
C28			CK73FB0J106K	CHIP C 10UF K	
C29			CK73GB1H104K	CHIP C 0.10UF K	
C30			CK73GB1H152K	CHIP C 1500PF K	
C31			CC73GCH1H470J	CHIP C 47PF J	
C32			CK73GB1H104K	CHIP C 0.10UF K	
C33			CK73GB0J225K	CHIP C 2.2UF K	
C34			CC73GCH1H560J	CHIP C 56PF J	
C35,36			CK73GB1H104K	CHIP C 0.10UF K	
C37			CK73GB1H102K	CHIP C 1000PF K	
C38			CK73GB1H682K	CHIP C 6800PF K	
C39			CK73GB1H104K	CHIP C 0.10UF K	
C40			CK73GB1A105K	CHIP C 1.0UF K	
C41			CK73GB0J225K	CHIP C 2.2UF K	
C44			CK73GB1A105K	CHIP C 1.0UF K	
C46			CK73GB1H682K	CHIP C 6800PF K	
C47			CK73GB1H104K	CHIP C 0.10UF K	
C48			CC73GCH1H040C	CHIP C 4.0PF C	
C49			CK73GB1H332K	CHIP C 3300PF K	
C50			CK73GB1H104K	CHIP C 0.10UF K	
C51			CC73GCH1H330J	CHIP C 33PF J	
C52			CK73FB1A225K	CHIP C 2.2UF K	
C53			CK73GB0J225K	CHIP C 2.2UF K	
C54,55			CK73GB1H103K	CHIP C 0.010UF K	
C56,57			CC73GCH1H391J	CHIP C 390PF J	
C58			CK73GB1H472K	CHIP C 4700PF K	
C59-62			CK73GB1H102K	CHIP C 1000PF K	
C63			CK73GB1H152K	CHIP C 1500PF K	
C64,65			CK73GB1H104K	CHIP C 0.10UF K	
C66,67			CC73GCH1H100D	CHIP C 10PF D	
C68,69			CK73FB0J106K	CHIP C 10UF K	
C72			CK73GB0J225K	CHIP C 2.2UF K	
C73			CK73GB1H104K	CHIP C 0.10UF K	
C76,77			CK73GB1H104K	CHIP C 0.10UF K	
C78			CC73GCH1H151J	CHIP C 150PF J	
C80			CC73GCH1H151J	CHIP C 150PF J	
C82			CC73GCH1H681J	CHIP C 680PF J	
C84			CC73GCH1H681J	CHIP C 680PF J	
C85			CK73GB1H104K	CHIP C 0.10UF K	
C86			CK73GB1A105K	CHIP C 1.0UF K	
C87			CK73GB0J475K	CHIP C 4.7UF K	
C88			CK73GB1H473K	CHIP C 0.047UF K	
C89			CK73GB1A105K	CHIP C 1.0UF K	
C91			CK73GB1H104K	CHIP C 0.10UF K	
C93-98			CK73GB1H104K	CHIP C 0.10UF K	
C99			CC73GCH1H060D	CHIP C 6.0PF D	
C100			CC73GCH1H020C	CHIP C 2.0PF C	
C101			CK73GB1H104K	CHIP C 0.10UF K	
C102			CC73GCH1H101J	CHIP C 100PF J	
C103			CK73GB1H103K	CHIP C 0.010UF K	

E1 : KDC-W7534U E2 : KDC-W7534UY (Europe)
K : KDC-X890 (North America) M1 : KDC-X9533U (Other Areas)

△ Indicates safety critical components.

PARTS LIST

CD PLAYER UNIT (X32-5870-00)

Ref. No.	Add	New	Parts No.	Description	Destination	Ref. No.	Add	New	Parts No.	Description	Destination
C305-308			CK73GB1H103K	CHIP C 0.010UF K		R25			RK73GB2A102J	CHIP R 1.0K J 1/10W	
C309			CK73GB1H222K	CHIP C 2200PF K		R29			RK73GB2A102J	CHIP R 1.0K J 1/10W	
C310			CK73GB1H103K	CHIP C 0.010UF K		R34			RK73GB2A472J	CHIP R 4.7K J 1/10W	
C311,312			CC73GCH1H060D	CHIP C 6.0PF D		R35			RK73GB2A104J	CHIP R 100K J 1/10W	
C313			CK73GB1H103K	CHIP C 0.010UF K		R36			RK73FB2B4R7J	CHIP R 4.7 J 1/8W	
C315			CK73GB1H104K	CHIP C 0.10UF K		R37			RK73GB2A103J	CHIP R 10K J 1/10W	
C316			CK73GB1H103K	CHIP C 0.010UF K		R40			RK73GB2A274J	CHIP R 270K J 1/10W	
C317,318			CK73GB1H102K	CHIP C 1000PF K		R41			RK73GB2A103J	CHIP R 10K J 1/10W	
C319			CK73GB1A105K	CHIP C 1.0UF K		R42			RK73GB2A101J	CHIP R 100 J 1/10W	
C320			CC73GCH1H070D	CHIP C 7.0PF D		R43			RK73GB2A393J	CHIP R 39K J 1/10W	
CN1		*	E41-2630-05	FLAT CABLE CONNECTOR		R44,45			RK73GB2A302J	CHIP R 3.0K J 1/10W	
CN2			E41-2612-05	FLAT CABLE CONNECTOR		R48			RK73GB2A472J	CHIP R 4.7K J 1/10W	
L1		*	L92-0615-05	CHIP FERRITE		R50			RK73GB2A101J	CHIP R 100 J 1/10W	
X1		*	L77-2863-05	CRYSTAL RESONATOR (16.899M)		R51			RK73GB2A392J	CHIP R 3.9K J 1/10W	
X2		*	L78-1215-05	RESONATOR (11.500MHZ)		R52			RK73GB2A163J	CHIP R 16K J 1/10W	
X3		*	L77-2923-05	CRYSTAL RESONATOR (6.000MHZ,LF)		R53			RK73GB2A123J	CHIP R 12K J 1/10W	
CP2			RK74GA1J101J	CHIP-COM 100 J 1/16W		R54			RK73GB2A333J	CHIP R 33K J 1/10W	
CP5			RK74GA1J102J	CHIP-COM 1.0K J 1/16W		R55			RK73GB2A103J	CHIP R 10K J 1/10W	
CP7			RK74HB1J102J	CHIP-COM 1.0K J 1/16W		R56			RK73GB2A123J	CHIP R 12K J 1/10W	
CP10			RK74HB1J103J	CHIP-COM 10K J 1/16W		R57,58			RK73GB2A133J	CHIP R 13K J 1/10W	
CP11			RK74HB1J472J	CHIP-COM 4.7K J 1/16W		R59			RK73GB2A472J	CHIP R 4.7K J 1/10W	
CP16			RK74HB1J104J	CHIP-COM 100K J 1/16W		R60			RK73GB2A123J	CHIP R 12K J 1/10W	
CP19			RK74GA1J103J	CHIP-COM 10K J 1/16W		R61			RK73GB2A183J	CHIP R 18K J 1/10W	
CP20-23		*	RK74HB1J153J	CHIP-COM 15K J 1/16W		R62			RK73GB2A432J	CHIP R 4.3K J 1/10W	
CP24,25			RK74HB1J100J	CHIP-COM 10 J 1/16W		R63			RK73GB2A133J	CHIP R 13K J 1/10W	
CP26		*	RK74GA1J100J	CHIP-COM 10 J 1/16W		R64			RK73GB2A151J	CHIP R 150 J 1/10W	
CP27-30			RK74HB1J100J	CHIP-COM 10 J 1/16W		R67,68			RK73GB2A152J	CHIP R 1.5K J 1/10W	
CP31			RK74GA1J101J	CHIP-COM 100 J 1/16W		R69			RK73GB2A682J	CHIP R 6.8K J 1/10W	
CP50			RK74HB1J102J	CHIP-COM 1.0K J 1/16W		R70			RK73GB2A102J	CHIP R 1.0K J 1/10W	
CP52			RK74GA1J472J	CHIP-COM 4.7K J 1/16W		R71-73			RK73GB2A101J	CHIP R 100 J 1/10W	
CP53			RK74GA1J473J	CHIP-COM 47K J 1/16W		R109			RK73GH2A822D	CHIP R 8.2K D 1/10W	
CP56,57			RK74GA1J103J	CHIP-COM 10K J 1/16W		R110			RK73GH2A562D	CHIP R 5.6K D 1/10W	
CP300			RK74HB1J680J	CHIP-COM 68 J 1/16W		R112			RK73GH2A752D	CHIP R 7.5K D 1/10W	
CP301		*	RK74GA1J680J	CHIP-COM 68 J 1/16W		R115			RK73GH2A822D	CHIP R 8.2K D 1/10W	
CP302,303			RK74HB1J101J	CHIP-COM 100 J 1/16W		R116			RK73GH2A752D	CHIP R 7.5K D 1/10W	
R1			RK73GB2A225J	CHIP R 2.2M J 1/10W		R118,119			RK73GH2A100D	CHIP R 10 D 1/10W	
R3			RK73GB2A223J	CHIP R 22K J 1/10W		R121			RK73GH2A562D	CHIP R 5.6K D 1/10W	
R4			RK73GB2A473J	CHIP R 47K J 1/10W		R130			RK73GB2A102J	CHIP R 1.0K J 1/10W	
R5			RK73GB2A101J	CHIP R 100 J 1/10W		R132			RK73GB2A102J	CHIP R 1.0K J 1/10W	
R6			RK73GH2A223D	CHIP R 22K D 1/10W		R133			RK73GB2A561J	CHIP R 560 J 1/10W	
R7			RK73GB2A223J	CHIP R 22K J 1/10W		R138			RK73GB2A101J	CHIP R 100 J 1/10W	
R8			RK73GH2A393D	CHIP R 39K D 1/10W		R142			RK73FB2B4R7J	CHIP R 4.7 J 1/8W	
R9			RK73GB2A223J	CHIP R 22K J 1/10W		R144			RK73GB2A223J	CHIP R 22K J 1/10W	
R10			RK73GB2A101J	CHIP R 100 J 1/10W		R148			RK73GB2A103J	CHIP R 10K J 1/10W	
R11			RK73GB2A220J	CHIP R 22 J 1/10W		R150			RK73GB2A103J	CHIP R 10K J 1/10W	
R12			RK73GB2A223J	CHIP R 22K J 1/10W		R151			RK73GB2A102J	CHIP R 1.0K J 1/10W	
R13			RK73GB2A102J	CHIP R 1.0K J 1/10W		R152			RK73GB2A221J	CHIP R 220 J 1/10W	
R15			RK73GB2A223J	CHIP R 22K J 1/10W		R153			RK73GB2A100J	CHIP R 10 J 1/10W	
R17			RK73GB2A221J	CHIP R 220 J 1/10W		R154,155			RK73GB2A330J	CHIP R 33 J 1/10W	
R18			RK73GB2A102J	CHIP R 1.0K J 1/10W		R156			RK73GB2A103J	CHIP R 10K J 1/10W	
R19			RK73GB2A472J	CHIP R 4.7K J 1/10W		R300,301			RK73GB2A680J	CHIP R 68 J 1/10W	
R20			RK73GB2A102J	CHIP R 1.0K J 1/10W		R302			RK73GB2A101J	CHIP R 100 J 1/10W	
R21,22			RK73GB2A104J	CHIP R 100K J 1/10W		R304			RK73GB2A101J	CHIP R 100 J 1/10W	
R23,24			RK73GB2A103J	CHIP R 10K J 1/10W		R306,307			RK73GB2A270J	CHIP R 27 J 1/10W	
						R308-310			RK73GB2A153J	CHIP R 15K J 1/10W	

E1 : KDC-W7534U E2 : KDC-W7534UY (Europe)
K : KDC-X890 (North America) M1 : KDC-X9533U (Other Areas)

△ Indicates safety critical components.

PARTS LIST

CD PLAYER UNIT (X32-5870-00)

Ref. No.	Add	New	Parts No.	Description	Destination
R311-316			RK73GB2A100J	CHIP R 10 J 1/10W	
R320-323			RK73GB2A101J	CHIP R 100 J 1/10W	
R336			RK73GB2A101J	CHIP R 100 J 1/10W	
R337			RK73GB2A153J	CHIP R 15K J 1/10W	
R339			RK73GB2A682J	CHIP R 6.8K J 1/10W	
R345			RK73GB2A103J	CHIP R 10K J 1/10W	
R346			RK73GB2A102J	CHIP R 1.0K J 1/10W	
R348			RK73GB2A223J	CHIP R 22K J 1/10W	
R351			RK73GB2A103J	CHIP R 10K J 1/10W	
R353			RK73GB2A473J	CHIP R 47K J 1/10W	
R358,359			RK73GB2A473J	CHIP R 47K J 1/10W	
R361,362			RK73GB2A223J	CHIP R 22K J 1/10W	
R366			RK73GB2A101J	CHIP R 100 J 1/10W	
R367			RK73GB2A102J	CHIP R 1.0K J 1/10W	
R368			RK73GB2A472J	CHIP R 4.7K J 1/10W	
R370			RK73GB2A101J	CHIP R 100 J 1/10W	
R371			RK73GB2A2R2J	CHIP R 2.2 J 1/10W	
R372,373			RK73FB2B2R2J	CHIP R 2.2 J 1/8W	
R374			RK73GB2A473J	CHIP R 47K J 1/10W	
S1,2			S68-0863-05	PUSH SWITCH	
S3			S68-0862-05	PUSH SWITCH	
D2			DA204U	DIODE	
D3			DAN202U	DIODE	
D9			DA204U	DIODE	
IC1		*	M30620FCPPG	MICROCONTROLLER IC	
IC2			UPD63712GC	MOS-IC	
IC4			BA5824FP	ANALOGUE IC	
IC5		*	BD33KA5WFP-E2	ANALOGUE IC	
IC13		*	NJM2100V-ZB	ANALOGUE IC	
IC14			TAR5S50-F	ANALOGUE IC	
IC15			CS7410-IQZ	MOS-IC	
IC16		*	IC42S164007TIG	DRAM IC	
IC17		*	29LV800CBT19V1	ROM IC	
IC18		*	WM8716SEDS/R	MOS-IC	
IC19		*	R1114N331B-TR	ANALOGUE IC (3.3V LF)	
IC20		*	S-1132B18U5T1G	ANALOGUE IC	
IC21		*	BD33KA5WFP-E2	ANALOGUE IC	
IC25		*	TDUHC1240F0C00	MOS-IC	
IC26		*	TC74LCX00FT-F	MOS-IC	
IC28		*	TC7WH125FK-F	MOS-IC	
Q3			UMD9N	TRANSISTOR	
Q6			UMD12N	TRANSISTOR	
Q7			DTC124EE	DIGITAL TRANSISTOR	
Q8			2SB0970	TRANSISTOR	
Q9			DTC114YE	DIGITAL TRANSISTOR	
Q10			DTC114YUA	DIGITAL TRANSISTOR	
Q16			DTA143ZE	DIGITAL TRANSISTOR	
Q17			DTA143XUA	DIGITAL TRANSISTOR	
Q18			DTC114YE	DIGITAL TRANSISTOR	
ELECTRIC UNIT (X34-410x-xx)					
D451			B30-1567-05	LED (1608,RED)	
C1			C90-6784-05	ELECTRO 3900UF 16WV	
C2			CC73GCH1H070D	CHIP C 7.0PF D	

Ref. No.	Add	New	Parts No.	Description	Destination
C10			CK73FB1C105K	CHIP C 1.0UF K	
C11			CD04AY1A221M	ELECTRO 220UF 10WV	
C12			CC73GCH1H070D	CHIP C 7.0PF D	
C20			CD04BA0J101M	ELECTRO 100UF 6.3WV	
C21			C90-5692-05	ELECTRO 220UF 16WV	
C22			CK73GB1H103K	CHIP C 0.010UF K	
C23			CE32CL1C100M	CHIP EL 10UF 16WV	
C30			CK73GB1A474K	CHIP C 0.47UF K	
C31			CD04AY1A101M	ELECTRO 100UF 10WV	
C32			CK73GB1A474K	CHIP C 0.47UF K	
C33			CE32BJ1C101M	CHIP EL 100UF 16WV	
C40			CK73GB1H103K	CHIP C 0.010UF K	
C41			CD04BA0J470M	ELECTRO 47UF 6.3WV	
C42,43			CK73GB1H104K	CHIP C 0.10UF K	
C50			CK73GB1H104K	CHIP C 0.10UF K	
C51			CD04AT1E101M	ELECTRO 100UF 25WV	
C81			C93-1382-05	CHIP C 1UF K	
C82			C93-1381-05	CHIP C 1UF K	
C84			C93-1381-05	CHIP C 1UF K	
C85			C93-1382-05	CHIP C 1UF K	
C86			CK73EB1E105K	CHIP C 1.0UF K	
C87			CK73GB1H103K	CHIP C 0.010UF K	
C100			CK73GB1H104K	CHIP C 0.10UF K	
C102,103			CC73GCH1H220J	CHIP C 22PF J	
C104-106			CK73GB1H103K	CHIP C 0.010UF K	
C107			CK73GB1H102K	CHIP C 1000PF K	
C109-113			CK73GB1H103K	CHIP C 0.010UF K	
C114			CD04AS0J470M	ELECTRO 47UF 6.3WV	
C201			CK73GB1H103K	CHIP C 0.010UF K	
C203			CK73GB1H223K	CHIP C 0.022UF K	
C204			CK73GB1H103K	CHIP C 0.010UF K	
C205			CK73FB1C105K	CHIP C 1.0UF K	
C300			CD04AS1C470M	ELECTRO 47UF 16WV	
C301			CD04AS1H2R2M	ELECTRO 2.2UF 50WV	
C303,304			CD04AS1H3R3M	ELECTRO 3.3UF 50WV	
C305			CK73FB1C105K	CHIP C 1.0UF K	
C306			CK73GB1H103K	CHIP C 0.010UF K	
C307		*	CE32BE1V100M	CHIP EL 10UF 35WV	
C308,309			CD04AS1H2R2M	ELECTRO 2.2UF 50WV	
C310,311			CK73FB1E474K	CHIP C 0.47UF K	
C364,365			CD04AS1H2R2M	ELECTRO 2.2UF 50WV	
C369			CK73FB1C105K	CHIP C 1.0UF K	
C384			CK73FB1C105K	CHIP C 1.0UF K	
C387,388			CC73GCH1H070D	CHIP C 7.0PF D	
C402			CK73GB1H103K	CHIP C 0.010UF K	KE1E2
C403			CK73FB1A225K	CHIP C 2.2UF K	KE1E2
C404			CC73GCH1H331J	CHIP C 330PF J	KE1E2
C405			CD04AS1V100M	ELECTRO 10UF 35WV	KE1E2
C407			CK73GB1H103K	CHIP C 0.010UF K	
C409,410			CK73GB1H103K	CHIP C 0.010UF K	
C412			CK73GB1H103K	CHIP C 0.010UF K	
C414,415			CC73GCH1H150J	CHIP C 15PF J	KE1E2
C423			CC73GCH1H070D	CHIP C 7.0PF D	
C450-452			CK73GB1H104K	CHIP C 0.10UF K	E1E2M1
C450-455			CK73GB1H104K	CHIP C 0.10UF K	K

PARTS LIST

ELECTRIC UNIT (X34-410x-xx)

Ref. No.	Add	New	Parts No.	Description	Destination	Ref. No.	Add	New	Parts No.	Description	Destination
C458			CK73GB1A105K	CHIP C 1.0UF K	K	C910,911			CD04BK1A221M	ELECTRO 220UF 10WV	
C500-504			CK73EB1A475K	CHIP C 4.7UF K	M1	C913			CD04BK1E101M	ELECTRO 100UF 25WV	
C505			CK73GB1H103K	CHIP C 0.010UF K	M1	C914			CK73EB1E105K	CHIP C 1.0UF K	
C506		*	CE32BE1V100M	CHIP EL 10UF 35WV	M1	C915			CD04BK1E101M	ELECTRO 100UF 25WV	
C550,551			CK73GB1H103K	CHIP C 0.010UF K		C917,918			CK73GB1H104K	CHIP C 0.10UF K	
C554			CC73GCH1H070D	CHIP C 7.0PF D		C951			CK73GB1H104K	CHIP C 0.10UF K	
C595			CK73GB1A105K	CHIP C 1.0UF K		C952			CD04BK1A221M	ELECTRO 220UF 10WV	
C600,601			CK73EB1E225K	CHIP C 2.2UF K	KM1	C953			CK73GB1H104K	CHIP C 0.10UF K	
C602			CK73GB1H103K	CHIP C 0.010UF K	KM1	C955			CK73GB1H104K	CHIP C 0.10UF K	
C603			CK73GB1H223K	CHIP C 0.022UF K	KM1	C981			CK73FB1H224K	CHIP C 0.22UF K	
C604			CD04AS1C220M	ELECTRO 22UF 16WV	KM1	CN5			E41-0944-05	PIN ASSY	KE1E2
C605-608			CK73EB1E225K	CHIP C 2.2UF K	KM1	CN450			E41-2259-05	PIN ASSY	
C609			CD04BF1E101M	ELECTRO 100UF 25WV	KM1	CN500			E41-2344-05	FLAT CABLE CONNECTOR	
C610			CD04AS1C220M	ELECTRO 22UF 16WV	KM1	CN550		*	E41-2358-05	FLAT CABLE CONNECTOR	
C611		*	CE32BE1V100M	CHIP EL 10UF 35WV		CN600			E41-2555-05	PIN ASSY	
C612,613			CD04AS1V100M	ELECTRO 10UF 35WV		CN900			E41-0944-05	PIN ASSY	
C614,615		*	CE32BE1V100M	CHIP EL 10UF 35WV		J1			E58-0991-05	RECTANGULAR RECEPTACLE	
C616,617			CD04AS1V100M	ELECTRO 10UF 35WV		J2			E56-0855-05	CYLINDRICAL RECEPTACLE	
C618,619		*	CE32BE1V100M	CHIP EL 10UF 35WV		W400			E30-6438-05	CORD WITH PLUG (ANT)	
C620,621			CD04AS1V100M	ELECTRO 10UF 35WV		L1		*	L33-2319-05	CHOKE COIL ASSY	
C622		*	CE32BE1V100M	CHIP EL 10UF 35WV		L81			L33-2337-05	SMALL FIXED INDUCTOR	
C623-628			CK73GB1H102K	CHIP C 1000PF K	KM1	L101			L41-4795-33	SMALL FIXED INDUCTOR (4.7U)	
C629			CK73FB1E474K	CHIP C 0.47UF K		L100			L33-2260-05	CHOKE COIL	
C630			CD04AT0J470M	ELECTRO 47UF 6.3WV		L405			L41-4795-33	SMALL FIXED INDUCTOR (4.7U)	KE1E2
C631			CK73FB1E474K	CHIP C 0.47UF K		L550		*	L92-0616-05	CHIP FERRITE	
C632			CK73GB1H103K	CHIP C 0.010UF K		L600			L41-2205-33	SMALL FIXED INDUCTOR (22U)	KM1
C633,634		*	CE32BE1V100M	CHIP EL 10UF 35WV	KM1	L901		*	L33-2296-05	SMALL FIXED INDUCTOR	
C635-638			CK73GB1A105K	CHIP C 1.0UF K	KM1	L902		*	L33-2297-05	SMALL FIXED INDUCTOR	
C701			CK73FB1E474K	CHIP C 0.47UF K		X100			L78-0872-05	RESONATOR (12MHZ)	
C702			CD04AS0J470M	ELECTRO 47UF 6.3WV		X101			L77-2880-05	CRYSTAL RESONATOR	
C703			CK73FB1E474K	CHIP C 0.47UF K		X401			L77-2002-05	CRYSTAL RESONATOR	KE1E2
C704			CK73GB1H103K	CHIP C 0.010UF K		Q	2D		N83-3005-48	PAN HEAD TAPTITE SCREW	
C750			CK73FB1C105K	CHIP C 1.0UF K		T	2D		N80-3010-48	PAN HEAD TAPTITE SCREW	
C752-755			C90-6781-05	ELECTRO 4.7UF 16WV		V	2D		N83-3020-48	PAN HEAD TAPTITE SCREW	
C756		*	CD04BM1A101M	ELECTRO 100UF 10WV		CP100			RK74GB1J101J	CHIP-COM 100 J 1/16W	
C757			C90-6781-05	ELECTRO 4.7UF 16WV		CP101-103			RK74GA1J101J	CHIP-COM 100 J 1/16W	K
C758			CK73GB1H103K	CHIP C 0.010UF K		CP101,102			RK74GA1J101J	CHIP-COM 100 J 1/16W	E1E2M1
C759			CK73FB1C105K	CHIP C 1.0UF K		CP104			RK74GA1J102J	CHIP-COM 1.0K J 1/16W	
C760-768			CC73GCH1H150J	CHIP C 15PF J		CP107			RK74GB1J102J	CHIP-COM 1.0K J 1/16W	
C771-775			CC73GCH1H150J	CHIP C 15PF J		CP108			RK74GA1J222J	CHIP-COM 2.2K J 1/16W	
C780			CC73GCH1H150J	CHIP C 15PF J		CP109			RK74GB1J101J	CHIP-COM 100 J 1/16W	KE1E2
C800-802			CD04AS1V100M	ELECTRO 10UF 35WV		CP110,111			RK74GA1J101J	CHIP-COM 100 J 1/16W	
C803			CK73GB1H104K	CHIP C 0.10UF K		R1			RK73EB2E102J	CHIP R 1.0K J 1/4W	
C804			CK73GB1H103K	CHIP C 0.010UF K		R2,3			RK73EB2E103J	CHIP R 10K J 1/4W	
C805			CD04AS1C470M	ELECTRO 47UF 16WV		R10			RK73GH2A243D	CHIP R 24K D 1/10W	
C806,807			CK73GB1H102K	CHIP C 1000PF K		R11			RK73FB2B221J	CHIP R 220 J 1/8W	
C808			CD04BA1C101M	ELECTRO 100UF 16WV		R13			RK73GH2A432D	CHIP R 4.3K D 1/10W	
C811,812			CC73GCH1H070D	CHIP C 7.0PF D		R14		*	RK73GB2A160J	CHIP R 16 J 1/10W	
C816			CK73GB1H104K	CHIP C 0.10UF K		R20			RK73FB2B203J	CHIP R 20K J 1/8W	
C901			CC73GCH1H680J	CHIP C 68PF J		R21			RK73GB2A223J	CHIP R 22K J 1/10W	
C902			CK73GB1H332K	CHIP C 3300PF K		R23			RK73FB2B272J	CHIP R 2.7K J 1/8W	
C903,904			CK73GB1H104K	CHIP C 0.10UF K		R30			RK73FB2B102J	CHIP R 1.0K J 1/8W	
C905			CK73GB1H682K	CHIP C 6800PF K		R31			RK73FB2B152J	CHIP R 1.5K J 1/8W	
C907,908			CK73GB1H104K	CHIP C 0.10UF K		R40			RK73FB2B223J	CHIP R 22K J 1/8W	

E1 : KDC-W7534U E2 : KDC-W7534UY (Europe)
K : KDC-X890 (North America) M1 : KDC-X9533U (Other Areas)

△ Indicates safety critical components.

PARTS LIST

ELECTRIC UNIT (X34-410x-xx)

Ref. No.	A d d	N e w	Parts No.	Description	Desti- nation	Ref. No.	A d d	N e w	Parts No.	Description	Desti- nation
R41			RK73FB2B182J	CHIP R 1.8K J 1/8W		R176			RK73GB2A104J	CHIP R 100K J 1/10W	
R42			RK73GB2A105J	CHIP R 1.0M J 1/10W		R177			RK73GB2A223J	CHIP R 22K J 1/10W	
R45,46			RK73PB2H1R0J	CHIP R 1.0 J 1/2W		R178			RK73GB2A473J	CHIP R 47K J 1/10W	
R50			RK73FB2B222J	CHIP R 2.2K J 1/8W		R181			RK73GB2A473J	CHIP R 47K J 1/10W	
R52			RK73FB2B104J	CHIP R 100K J 1/8W		R187			RK73GB2A473J	CHIP R 47K J 1/10W	
R80			RK73GH2A434D	CHIP R 430K D 1/10W		R188			RK73GB2A102J	CHIP R 1.0K J 1/10W	
R81			RK73GB2A473J	CHIP R 47K J 1/10W		R200			RK73EB2E473J	CHIP R 47K J 1/4W	
R82			RK73GH2A103D	CHIP R 10K D 1/10W		R201			RD14DB2H332J-T	SMALL-RD 3.3K J 1/2W	
R84			RK73GH2A153D	CHIP R 15K D 1/10W		R202			RK73GB2A183J	CHIP R 18K J 1/10W	
R91,92			RK73GB2A104J	CHIP R 100K J 1/10W		R203			RK73GB2A104J	CHIP R 100K J 1/10W	
R93			RK73FB2B431J	CHIP R 430 J 1/8W		R204			RK73GB2A393J	CHIP R 39K J 1/10W	
R100-102			RK73GB2A104J	CHIP R 100K J 1/10W	M1	R205			RK73GB2A103J	CHIP R 10K J 1/10W	
R100-104			RK73GB2A104J	CHIP R 100K J 1/10W	KE1E2	R209			RK73FB2B683J	CHIP R 68K J 1/8W	
R104			RK73GB2A104J	CHIP R 100K J 1/10W	M1	R210			RK73FB2B203J	CHIP R 20K J 1/8W	
R105			RK73GB2A101J	CHIP R 100 J 1/10W		R211			RK73GB2A103J	CHIP R 10K J 1/10W	
R106			RK73GB2A222J	CHIP R 2.2K J 1/10W		R212			RK73GB2A473J	CHIP R 47K J 1/10W	
R107			RK73GB2A473J	CHIP R 47K J 1/10W		R213,214			RK73GB2A104J	CHIP R 100K J 1/10W	
R111			RK73GB2A104J	CHIP R 100K J 1/10W		R215			RK73FB2B561J	CHIP R 560 J 1/8W	
R112			RK73GB2A473J	CHIP R 47K J 1/10W		R216			RK73GB2A223J	CHIP R 22K J 1/10W	KM1
R113			RK73GB2A103J	CHIP R 10K J 1/10W		R217			RK73PB2H221J	CHIP R 220 J 1/2W	KM1
R114			RK73GB2A473J	CHIP R 47K J 1/10W		R218,219			RK73FB2B472J	CHIP R 4.7K J 1/8W	
R115			RK73GB2A101J	CHIP R 100 J 1/10W		R220			RK73PB2H221J	CHIP R 220 J 1/2W	KM1
R117			RK73GB2A101J	CHIP R 100 J 1/10W		R300			RK73EB2E2R2J	CHIP R 2.2 J 1/4W	
R119			RK73GB2A223J	CHIP R 22K J 1/10W	KE1E2	R301			RK73GB2A103J	CHIP R 10K J 1/10W	
R122,123			RK73GB2A101J	CHIP R 100 J 1/10W		R335,336			RK73GB2A101J	CHIP R 100 J 1/10W	
R125			RK73GB2A222J	CHIP R 2.2K J 1/10W	KE1E2	R402			RK73FB2B1R0J	CHIP R 1.0 J 1/8W	
R126			RK73GB2A101J	CHIP R 100 J 1/10W		R404			RK73GB2A223J	CHIP R 22K J 1/10W	
R127			RK73GB2A103J	CHIP R 10K J 1/10W		R405,406			RK73GB2A471J	CHIP R 470 J 1/10W	
R128			RK73GB2A222J	CHIP R 2.2K J 1/10W		R407,408			RK73GB2A472J	CHIP R 4.7K J 1/10W	
R129			RK73GB2A102J	CHIP R 1.0K J 1/10W		R409			RK73FB2B102J	CHIP R 1.0K J 1/8W	
R130			RK73GB2A222J	CHIP R 2.2K J 1/10W		R410-412			RK73GB2A222J	CHIP R 2.2K J 1/10W	KE1E2
R131			RK73GB2A473J	CHIP R 47K J 1/10W		R425-428			RK73GB2A910J	CHIP R 91 J 1/10W	
R132,133			RK73GB2A472J	CHIP R 4.7K J 1/10W		R429			RK73GB2A270J	CHIP R 27 J 1/10W	
R134			RK73GB2A101J	CHIP R 100 J 1/10W		R450,451			RK73GB2A102J	CHIP R 1.0K J 1/10W	
R139			RK73GB2A473J	CHIP R 47K J 1/10W		R452			RK73GB2A241J	CHIP R 240 J 1/10W	
R141,142			RK73GB2A473J	CHIP R 47K J 1/10W		R453,454			RK73GB2A102J	CHIP R 1.0K J 1/10W	K
R144,145			RK73GB2A101J	CHIP R 100 J 1/10W		R457			RK73GH2A241D	CHIP R 240 D 1/10W	K
R146			RK73GB2A333J	CHIP R 33K J 1/10W		R458			RK73GH2A111D	CHIP R 110 D 1/10W	K
R148			RK73GB2A473J	CHIP R 47K J 1/10W		R500			RK73GB2A473J	CHIP R 47K J 1/10W	M1
R149,150			RK73GB2A223J	CHIP R 22K J 1/10W		R501			RK73EB2E101J	CHIP R 100 J 1/4W	
R153			RK73GB2A223J	CHIP R 22K J 1/10W	M1	R502			RK73GB2A102J	CHIP R 1.0K J 1/10W	M1
R153-155			RK73GB2A223J	CHIP R 22K J 1/10W	K	R503			RK73GB2A333J	CHIP R 33K J 1/10W	M1
R154			RK73GB2A223J	CHIP R 22K J 1/10W	E1E2	R504,505			RK73GB2A473J	CHIP R 47K J 1/10W	M1
R156			RK73GB2A223J	CHIP R 22K J 1/10W	M1	R506			RK73GB2A821J	CHIP R 820 J 1/10W	M1
R156,157			RK73GB2A223J	CHIP R 22K J 1/10W	E1	R507			RK73GB2A104J	CHIP R 100K J 1/10W	M1
R157			RK73GB2A223J	CHIP R 22K J 1/10W	E2	R508			RK73GB2A101J	CHIP R 100 J 1/10W	M1
R158,159			RK73GB2A223J	CHIP R 22K J 1/10W	M1	R509			RK73EB2E103J	CHIP R 10K J 1/4W	M1
R159			RK73GB2A223J	CHIP R 22K J 1/10W	E1	R510,511			RK73EB2E101J	CHIP R 100 J 1/4W	
R159,160			RK73GB2A223J	CHIP R 22K J 1/10W	E2	R512,513			RK73GB2A334J	CHIP R 330K J 1/10W	M1
R160			RK73GB2A223J	CHIP R 22K J 1/10W	K	R514			RK73EB2E101J	CHIP R 100 J 1/4W	
R161			RK73GB2A104J	CHIP R 100K J 1/10W		R515			RK73EB2E102J	CHIP R 1.0K J 1/4W	
R163			RK73GB2A104J	CHIP R 100K J 1/10W		R516			RK73EB2E472J	CHIP R 4.7K J 1/4W	
R164			RK73GB2A223J	CHIP R 22K J 1/10W		R517			RK73EB2E102J	CHIP R 1.0K J 1/4W	
R165,166			RK73GB2A222J	CHIP R 2.2K J 1/10W		R518,519			RK73GB2A103J	CHIP R 10K J 1/10W	M1
R168			RK73GB2A222J	CHIP R 2.2K J 1/10W		R520			RK73GB2A1R0J	CHIP R 1.0 J 1/10W	M1

E1 : KDC-W7534U E2 : KDC-W7534UY (Europe)
K : KDC-X890 (North America) M1 : KDC-X9533U (Other Areas)

△ Indicates safety critical components.

PARTS LIST

ELECTRIC UNIT (X34-410x-xx)

Ref. No.	Add	New	Parts No.	Description	Destination	Ref. No.	Add	New	Parts No.	Description	Destination
R550			RK73GB2A472J	CHIP R 4.7K J 1/10W		R711			RK73GB2A102J	CHIP R 1.0K J 1/10W	
R551			RK73GB2A471J	CHIP R 470 J 1/10W		R712			RK73EB2E102J	CHIP R 1.0K J 1/4W	KE1E2
R552,553			RK73GB2A104J	CHIP R 100K J 1/10W		R713-715			RK73EB2E471J	CHIP R 470 J 1/4W	E1E2
R554			RK73GB2A471J	CHIP R 470 J 1/10W		R750			RK73GB2A683J	CHIP R 68K J 1/10W	
R557			RK73GB2A161J	CHIP R 160 J 1/10W		R752			RK73GB2A102J	CHIP R 1.0K J 1/10W	
R600,601			RK73GB2A913J	CHIP R 91K J 1/10W	KM1	R755-758			RK73GB2A910J	CHIP R 91 J 1/10W	
R602			RK73GB2A103J	CHIP R 10K J 1/10W	KM1	R759-762			RK73GB2A103J	CHIP R 10K J 1/10W	
R603			RK73GB2A470J	CHIP R 47 J 1/10W	KM1	R763			RK73GB2A100J	CHIP R 10 J 1/10W	
R604			RK73GB2A274J	CHIP R 270K J 1/10W	KM1	R764			RK73GB2A103J	CHIP R 10K J 1/10W	
R605			RK73GB2A563J	CHIP R 56K J 1/10W	KM1	R765			RK73GB2A432J	CHIP R 4.3K J 1/10W	
R606			RK73GB2A752J	CHIP R 7.5K J 1/10W	KM1	R766			RK73GB2A680J	CHIP R 68 J 1/10W	
R607			RK73GB2A470J	CHIP R 47 J 1/10W	KM1	R767			RK73GB2A220J	CHIP R 22 J 1/10W	
R608			RK73GB2A272J	CHIP R 2.7K J 1/10W	KM1	R768			RK73GB2A123J	CHIP R 12K J 1/10W	
R609			RK73GB2A750J	CHIP R 75 J 1/10W	KM1	R770			RK73GB2A243J	CHIP R 24K J 1/10W	
R610			RK73GB2A182J	CHIP R 1.8K J 1/10W	KM1	R771			RK73GB2A223J	CHIP R 22K J 1/10W	
R611			RK73GB2A361J	CHIP R 360 J 1/10W		R772			RK73GB2A221J	CHIP R 220 J 1/10W	
R612			RK73GB2A820J	CHIP R 82 J 1/10W	KM1	R800			RK73GB2A391J	CHIP R 390 J 1/10W	
R613			RK73GB2A123J	CHIP R 12K J 1/10W	KM1	R801			RK73GB2A242J	CHIP R 2.4K J 1/10W	
R614			RK73GB2A103J	CHIP R 10K J 1/10W	KM1	R803			RK73GH2A512D	CHIP R 5.1K D 1/10W	
R615			RK73GB2A223J	CHIP R 22K J 1/10W		R804			RK73GH2A472D	CHIP R 4.7K D 1/10W	
R616			RK73GB2A103J	CHIP R 10K J 1/10W	KM1	R805,806			RK73GB2A102J	CHIP R 1.0K J 1/10W	
R617			RK73GB2A223J	CHIP R 22K J 1/10W		R807			RK73GB2A103J	CHIP R 10K J 1/10W	
R618			RK73GB2A820J	CHIP R 82 J 1/10W	KM1	R808			RK73GB2A113J	CHIP R 11K J 1/10W	
R619			RK73GB2A123J	CHIP R 12K J 1/10W	KM1	R809			RK73GB2A101J	CHIP R 100 J 1/10W	
R620,621			RK73GB2A361J	CHIP R 360 J 1/10W		R810			RK73FB2B152J	CHIP R 1.5K J 1/8W	
R622			RK73GB2A820J	CHIP R 82 J 1/10W	KM1	R811			RK73GB2A104J	CHIP R 100K J 1/10W	
R623			RK73GB2A123J	CHIP R 12K J 1/10W	KM1	R812			RK73FB2B4R7J	CHIP R 4.7 J 1/8W	
R624			RK73GB2A103J	CHIP R 10K J 1/10W	KM1	R813			RK73GB2A332J	CHIP R 3.3K J 1/10W	
R625			RK73GB2A223J	CHIP R 22K J 1/10W		R815			RK73GB2A101J	CHIP R 100 J 1/10W	
R626			RK73GB2A103J	CHIP R 10K J 1/10W	KM1	R817			RK73GB2A100J	CHIP R 10 J 1/10W	
R627			RK73GB2A223J	CHIP R 22K J 1/10W		R822	*		RK73GB2A160J	CHIP R 16 J 1/10W	
R628			RK73GB2A820J	CHIP R 82 J 1/10W	KM1	R823			RK73FB2B1R0J	CHIP R 1.0 J 1/8W	
R629			RK73GB2A123J	CHIP R 12K J 1/10W	KM1	R824			RK73GB2A3R9J	CHIP R 3.9 J 1/10W	
R630,631			RK73GB2A361J	CHIP R 360 J 1/10W		R825			RK73GB2A120J	CHIP R 12 J 1/10W	
R632			RK73GB2A820J	CHIP R 82 J 1/10W	KM1	R826			RK73GB2A1R5J	CHIP R 1.5 J 1/10W	
R633			RK73GB2A123J	CHIP R 12K J 1/10W	KM1	R827			RK73GB2A270J	CHIP R 27 J 1/10W	
R634			RK73GB2A103J	CHIP R 10K J 1/10W	KM1	R839,840			RK73GB2A103J	CHIP R 10K J 1/10W	
R635			RK73GB2A223J	CHIP R 22K J 1/10W		R841			RK73GB2A102J	CHIP R 1.0K J 1/10W	KE1E2
R636			RK73GB2A103J	CHIP R 10K J 1/10W	KM1	R901,902			RK73GB2A104J	CHIP R 100K J 1/10W	
R637			RK73GB2A223J	CHIP R 22K J 1/10W		R907	*		RK73GH2A823D	CHIP R 82K D 1/10W	
R638			RK73GB2A820J	CHIP R 82 J 1/10W	KM1	R908	*		RK73GH2A114D	CHIP R 110K D 1/10W	
R639			RK73GB2A123J	CHIP R 12K J 1/10W	KM1	R909			RK73GH2A683D	CHIP R 68K D 1/10W	
R640			RK73GB2A361J	CHIP R 360 J 1/10W		R910			RK73GH2A103D	CHIP R 10K D 1/10W	
R641			RK73EB2E100J	CHIP R 10 J 1/4W		R911			RK73GH2A753D	CHIP R 75K D 1/10W	
R642			RK73EB2E4R7J	CHIP R 4.7 J 1/4W		R913			RK73GH2A103D	CHIP R 10K D 1/10W	
R643			RK73EB2E100J	CHIP R 10 J 1/4W		R914			RK73GH2A753D	CHIP R 75K D 1/10W	
R644			RK73GB2A102J	CHIP R 1.0K J 1/10W		R915,916			RK73GB2A154J	CHIP R 150K J 1/10W	
R655-660			RK73GB2A104J	CHIP R 100K J 1/10W	KM1	R951			RK73GB2A153J	CHIP R 15K J 1/10W	
R700			RK73EB2E472J	CHIP R 4.7K J 1/4W		R954			RK73GB2A153J	CHIP R 15K J 1/10W	
R701			RK73EB2E101J	CHIP R 100 J 1/4W		R959			RK73PB2H2R2J	CHIP R 2.2 J 1/2W	
R702			RK73EB2E472J	CHIP R 4.7K J 1/4W		R960			RK73GB2A101J	CHIP R 100 J 1/10W	
R703-707			RK73EB2E101J	CHIP R 100 J 1/4W		R981,982			RK73PB2H1R0J	CHIP R 1.0 J 1/2W	
R708			RK73EB2E100J	CHIP R 10 J 1/4W		R983			RK73GB2A104J	CHIP R 100K J 1/10W	
R709			RK73EB2E4R7J	CHIP R 4.7 J 1/4W		R984			RK73FB2B221J	CHIP R 220 J 1/8W	
R710			RK73EB2E100J	CHIP R 10 J 1/4W		R985			RK73GB2A473J	CHIP R 47K J 1/10W	

E1 : KDC-W7534U E2 : KDC-W7534UY (Europe)
K : KDC-X890 (North America) M1 : KDC-X9533U (Other Areas)

△ Indicates safety critical components.

PARTS LIST

ELECTRIC UNIT (X34-410x-xx)

Ref. No.	A d d	N e w	Parts No.	Description	Desti- nation
R987			RK73GB2A102J	CHIP R 1.0K J 1/10W	
W200			R92-1252-05	CHIP R 0 OHM J 1/16W	KM1
W200,201			R92-1252-05	CHIP R 0 OHM J 1/16W	E1E2
W401			R92-2053-05	CHIP R 0 OHM J 1/8W	
W500			R92-1252-05	CHIP R 0 OHM J 1/16W	
W596,597			R92-1252-05	CHIP R 0 OHM J 1/16W	E1E2
W603,604			R92-1252-05	CHIP R 0 OHM J 1/16W	E1E2
W609,610			R92-1252-05	CHIP R 0 OHM J 1/16W	E1E2
W615,616			R92-1252-05	CHIP R 0 OHM J 1/16W	E1E2
W751			R92-1252-05	CHIP R 0 OHM J 1/16W	
W754			R92-1252-05	CHIP R 0 OHM J 1/16W	
S1,2			S68-0886-05	PUSH SWITCH	
D1			S2V60*A	DIODE	
D20			RB160L-40	DIODE	
D21			UDZS5.6B	ZENER DIODE	
D30			HZU9.1 (B1)-E	ZENER DIODE	
D31			UDZS8.2B	ZENER DIODE	
D40			UDZS5.6B	ZENER DIODE	
D41			02DZ11F-Y	ZENER DIODE	
D50		*	UDZS20B	ZENER DIODE	
D80-82			RB060L-40	DIODE	
D101-104			DAP202U	DIODE	E1E2
D102-104			DAP202U	DIODE	K
D102-105			DAP202U	DIODE	M1
D200			DAP202U	DIODE	
D202			UDZS6.2B	ZENER DIODE	
D203			UDZS6.8B	ZENER DIODE	
D204			DAP202U	DIODE	
D205			UDZS6.8B	ZENER DIODE	
D206			UDZS4.7B	ZENER DIODE	
D207			02DZ5.6F-Y	ZENER DIODE	
D208,209			1SR154-400	DIODE	
D212,213			1SR154-400	DIODE	
D220			DAP202U	DIODE	
D302,303			UDZS5.6B	ZENER DIODE	
D500			DA204K	DIODE	
D501			STZ6.2N	ZENER DIODE	
D502			DA204K	DIODE	
D503			STZ6.2N	ZENER DIODE	
D504			DA204U	DIODE	M1
D505			DAP202U	DIODE	
D506			STZ6.2N	ZENER DIODE	
D550,551			IMSA-6802-E	SURGE ABSORBER	
D600			UDZS5.6B	ZENER DIODE	KM1
D601			UDZS11B	ZENER DIODE	KM1
D608,609			STZ6.8N	ZENER DIODE	
D700-704			STZ6.2N	ZENER DIODE	KM1
D700-707			STZ6.2N	ZENER DIODE	E1E2
D706,707			STZ6.2N	ZENER DIODE	K
D707			STZ6.2N	ZENER DIODE	M1
D750-753			1SR154-400	DIODE	
D754,755			DAP222	DIODE	
D756-759			1SR154-400	DIODE	

Ref. No.	A d d	N e w	Parts No.	Description	Desti- nation
D800			UDZS6.8B	ZENER DIODE	
D802			UDZS16B	ZENER DIODE	
D803,804			DAP222	DIODE	
D901		*	NSQ03A04G	DIODE	
D902			SFPB-54VNF	DIODE	
D952			STZ6.8N	ZENER DIODE	
D981			UDZS15B	ZENER DIODE	
IC10			M5237ML-CF0J	ANALOGUE IC	
IC80			LT3467A	ANALOGUE IC	
IC100			S-80836CNNB-J	MOS-IC	
IC102		*	30625MGA87GP	MICROCONTROLLER IC	
IC103			TC7W02FU-F	MOS-IC	
IC104			BR24L04FV-W	ROM IC	
IC200			TPD1018F-F	ANALOGUE IC	
IC300			E-TDA7415C	ANALOGUE IC	
IC400			E-TDA7479AD	ANALOGUE IC	KE1E2
IC450			LB1930M-E	ANALOGUE IC	
IC451			MMA6261QR2	ANALOGUE IC	K
IC500			RC4580IDR	ANALOGUE IC	M1
IC600			ICL7660SIBAZ	ANALOGUE IC	KM1
IC601-603			NJM4565V-ZB	ANALOGUE IC	KM1
IC750			E-TDA7560A	ANALOGUE IC	
IC800			RC4580IDR	ANALOGUE IC	
IC901		*	BD9302FP	ANALOGUE IC	
IC951		*	MIC2026-1YM	MOS-IC	
Q10			2SB1565	TRANSISTOR	
Q11,12			UMC2N	TRANSISTOR	
Q20			2SB1565	TRANSISTOR	
Q21			2SD2351 (W)	TRANSISTOR	
Q22			2SA1577	TRANSISTOR	
Q23			DTC124EUA	DIGITAL TRANSISTOR	
Q30			2SB1565	TRANSISTOR	
Q31			2SB1184	TRANSISTOR	
Q32,33			2SC4081	TRANSISTOR	
Q34			UMC2N	TRANSISTOR	
Q40			2SB1565	TRANSISTOR	
Q41			2SB1443	TRANSISTOR	
Q42			UMD12N	TRANSISTOR	
Q43			UMC2N	TRANSISTOR	
Q44			2SC4081	TRANSISTOR	
Q45			2SD2351 (W)	TRANSISTOR	
Q50			2SB1449 (R)-E	TRANSISTOR	
Q51			UMC2N	TRANSISTOR	
Q52			2SC2873-F	TRANSISTOR	
Q91			2SD2351 (W)	TRANSISTOR	
Q100			2SA1576A	TRANSISTOR	
Q101			DTC144EUA	DIGITAL TRANSISTOR	
Q201			DTA124EUA	DIGITAL TRANSISTOR	
Q202			2SC4081	TRANSISTOR	
Q204,205			2SC4081	TRANSISTOR	
Q206			DTA123JK	DIGITAL TRANSISTOR	
Q207			DTC144EUA	DIGITAL TRANSISTOR	
Q208			2SB1184	TRANSISTOR	KM1
Q209			DTC114YUA	DIGITAL TRANSISTOR	KM1
Q210			DTA124EUA	DIGITAL TRANSISTOR	

E1 : KDC-W7534U E2 : KDC-W7534UY (Europe)
K : KDC-X890 (North America) M1 : KDC-X9533U (Other Areas)

△ Indicates safety critical components.

PARTS LIST

ELECTRIC UNIT (X34-410x-xx)

Ref. No.	Add	New	Parts No.	Description	Destination
Q402			2SB1689	TRANSISTOR	
Q403			DTC124EUA	DIGITAL TRANSISTOR	
Q450			DTC114YUA	DIGITAL TRANSISTOR	
Q500			2SC4617	TRANSISTOR	M1
Q600			2SC4081	TRANSISTOR	KM1
Q601			2SA1576A	TRANSISTOR	KM1
Q602			2SC4081	TRANSISTOR	KM1
Q603			2SA1576A	TRANSISTOR	KM1
Q604			2SC4081	TRANSISTOR	KM1
Q605			2SA1576A	TRANSISTOR	KM1
Q606			2SC4081	TRANSISTOR	KM1
Q607			2SB1443	TRANSISTOR	KM1
Q608-615			DTC143TUA	DIGITAL TRANSISTOR	
Q800			DTA124EUA	DIGITAL TRANSISTOR	
Q801			2SA1774	TRANSISTOR	
Q802			2SC2873-F	TRANSISTOR	
Q901,902			DTC143TUA	DIGITAL TRANSISTOR	
Q903			UMG2N	TRANSISTOR	
Q981			2SB1188 (R)	TRANSISTOR	
Q982			2SD2351 (W)	TRANSISTOR	
Q983			UMD12N	TRANSISTOR	
TH750			PRF18BE471QS2	POSITIVE RESISTOR	
A1	2D	*	X86-4000-11	FRONT-END UNIT	KM1
A1	2D	*	X86-4002-70	FRONT-END UNIT	E1E2
CD MECHANISM ASSY (X92-5580-00/04) (DXM-6820W/6824W)					
2	1B		A10-4827-32	CHASSIS	
5	2B		D10-4576-93	ARM ASSY	
8	2A		D10-4787-63	LEVER ASSY	
8	2A		D10-4901-13	LEVER ASSY	E1E2
10	2A		D10-4581-13	ARM	KM1
11	2A		D10-4582-13	ARM	
12	3A		D10-4583-03	ARM	
13	3A		D10-4584-03	ARM	
14	3B		D10-4585-03	ARM	
15	2A		D10-4586-13	SLIDER	
16	3B		D10-4587-52	SLIDER	
17	2B		D10-4588-13	SLIDER	
18	2B		D10-4595-04	ARM	
19	2B		D10-4596-24	ARM	
22	2A		D13-2151-04	GEAR	
23	2B		D13-2152-04	GEAR	
24	3B		D13-2153-04	GEAR	
25	3B		D13-2154-04	GEAR	
26	3B		D13-2155-04	WORM	
27	2B		D13-2156-14	GEAR	
28	3B		D13-2157-04	GEAR	
29	2B		D13-2158-04	GEAR	
30	2B		D13-2168-04	GEAR	
31	3B		D13-2171-04	GEAR	
32	1B		D13-2172-13	RACK (GEAR)	
33	2A		D14-0759-04	ROLLER	
35	2B		D21-2382-04	SHAFT	
36	1A		D23-0954-04	RETAINER	

Ref. No.	Add	New	Parts No.	Description	Destination
37	1B		D39-0246-05	DAMPER	KM1
37	1B		D39-0260-05	DAMPER	E1E2
38	2B		G01-3072-04	EXTENSION SPRING	
39	2A		G01-3073-04	TORSION COIL SPRING	
40	2A		G01-3074-04	EXTENSION SPRING	
41	1B		G01-3075-24	EXTENSION SPRING	
42	2A		G01-3076-04	EXTENSION SPRING	
43	1B		G01-3077-14	EXTENSION SPRING	
44	2B		G02-1399-04	FLAT SPRING	
45	2B		G02-1408-04	FLAT SPRING	
46	3B		F09-1804-04	SHEET	E1E2
47	3A	*	F09-2824-14	SHEET	
51	1A		J21-9676-32	MOUNTING HARDWARE	
52	3B		J21-9677-22	MOUNTING HARDWARE	
53	1B		J21-9678-13	MOUNTING HARDWARE	
55	1A		J90-1001-11	GUIDE	
56	1B		J90-1023-03	GUIDE	
DFPC1	3A		J86-0027-05	FPC (LEAD FREE)	
A	2B		N09-4460-15	TAPTITE SCREW (PT2X8)	
B	1B		N09-4472-25	MACHINE SCREW (M1.7X8.0)	
C	2B		N09-6004-15	MACHINE SCREW (M1.7X2.5)	
E	2B		N09-6007-15	MACHINE SCREW (PAN M2X2)	
F	1A		N09-6051-15	TAPTITE SCREW (BIND P2X5)	
G	2A		N19-2163-04	FLAT WASHER	
H	1B		N39-2020-46	PAN HEAD MACHINE SCREW	
J	1B		N09-6108-15	TAPTITE SCREW (M2X3.5)	
K	3B		N09-6155-15	SEMS (TAPTITE SCREW) (PT2X6)	
DM1	3B		T42-1066-14	DC MOTOR (SPINDLE)	
DM2	2B		T42-1067-14	DC MOTOR (LOADING)	
DPU1	2B		X93-2010-01	OPTICAL PICKUP ASSY	

E1 : KDC-W7534U E2 : KDC-W7534UY (Europe)
K : KDC-X890 (North America) M1 : KDC-X9533U (Other Areas)

△ Indicates safety critical components.