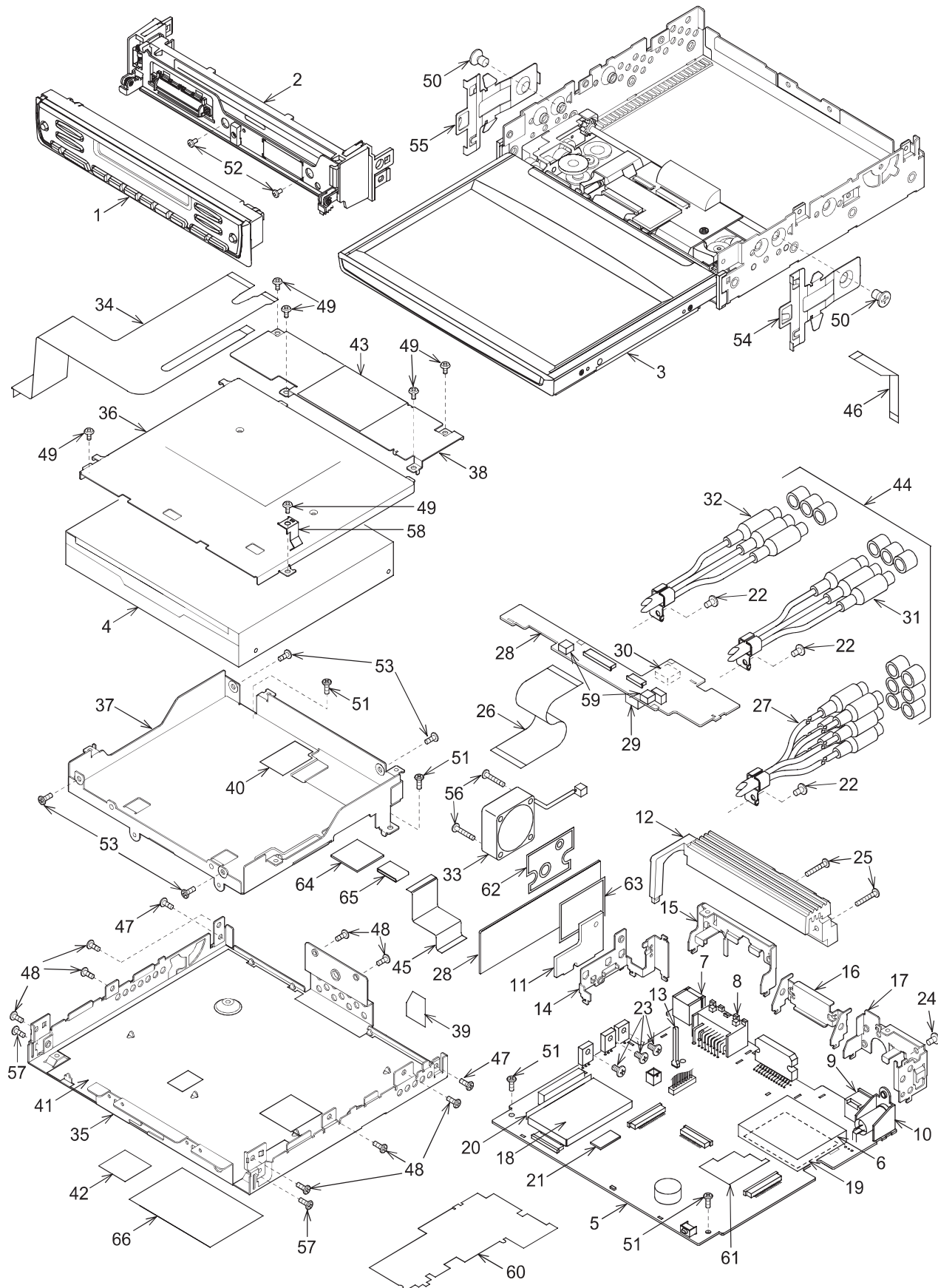


# EXPLODED VIEW : PARTS LIST

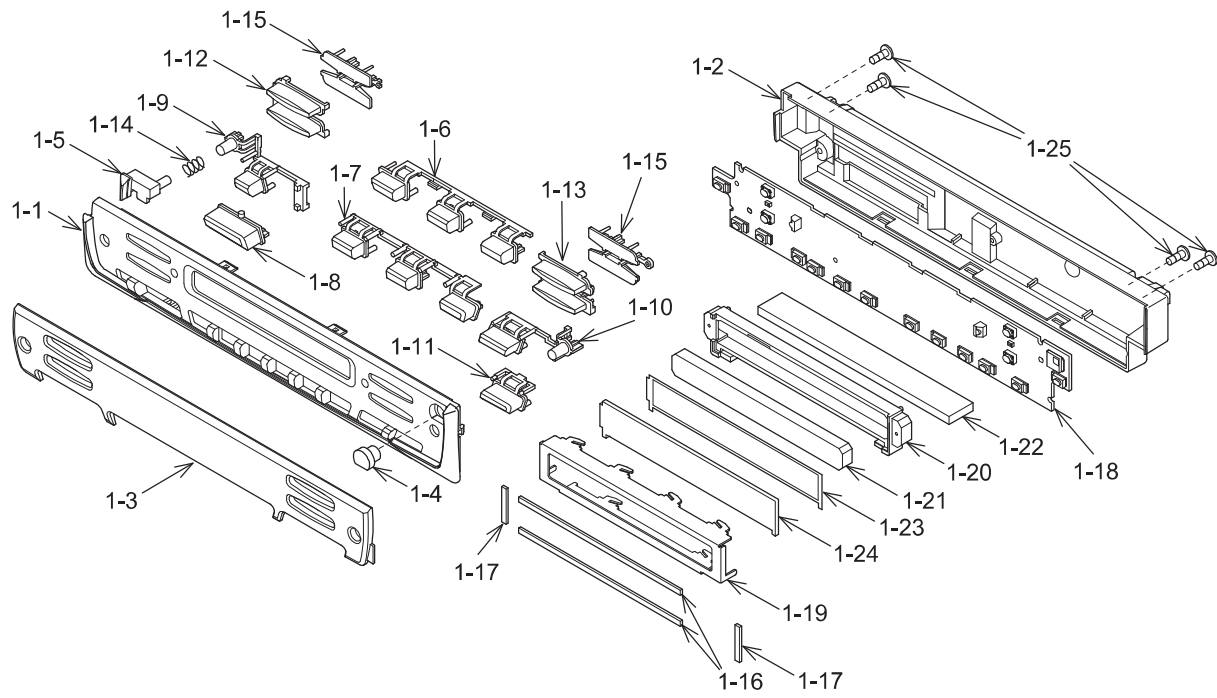
## Main section



Note)Some parts depend on each model.The model name is specified in the description .  
(B-A;QC-6820B-A, K-A;QC-6820K-A, K-B;QC-6820K-B )

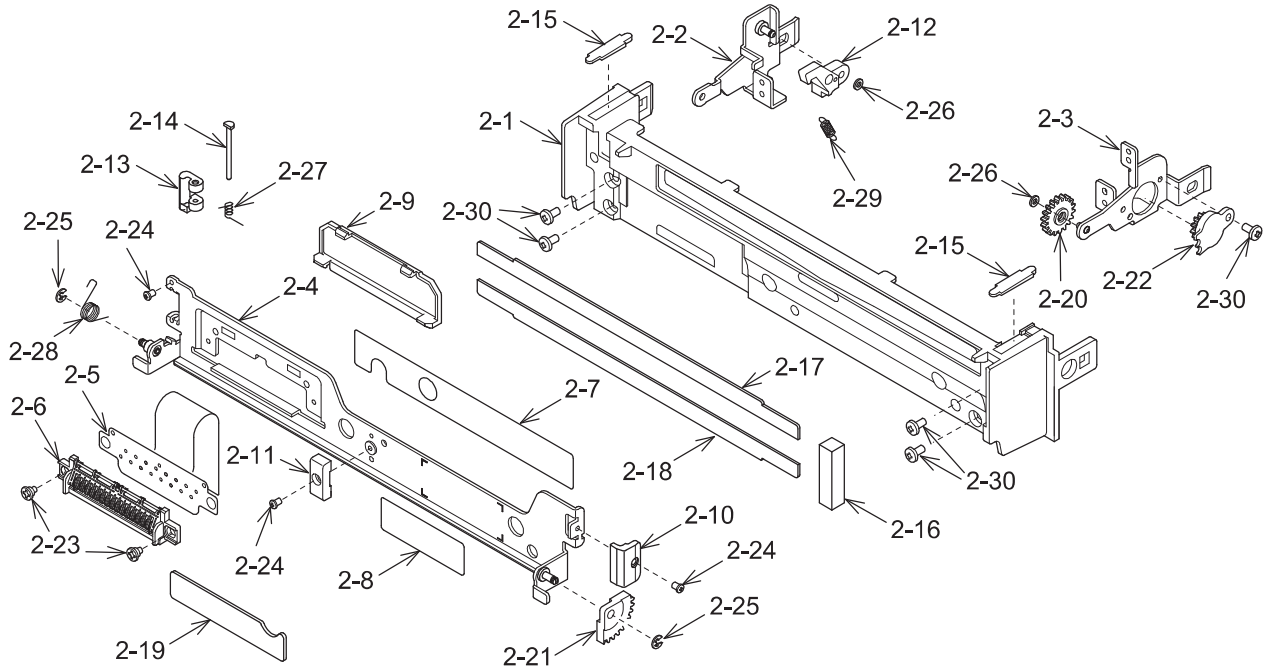
NO.	PART NO.	DESCRIPTION	Q'TY	NO.	PART NO.	DESCRIPTION	Q'TY
1	DCP-493-600 DCP-494-800	DCP-ASSY(B-A) DCP-ASSY(K-A,K-B)	1	35	311-1895-00	LOWER CASE	1
2	-----	INNER-ES-SECTION	1	36	331-3839-00	MECH-CVR	1
3	-----	MONITOR SECTION	1	37	331-3840-00	MECH-BRKT	1
4	929-2501-02	DVD MECHANISM	1	38	331-3841-00	HEAT SINK CVR	1
5	-----	MAIN PWB	1	39	347-7259-00	INSULATOR	1
6	880-2091B	TUNER	1	40	347-7263-00	INSULATOR	1
7	074-1194-00	OUTLET SOCKET(CeNET)	1	41	347-7264-00	INSULATOR	1
8	074-1214-00	OUTLET SOCKET	1	42	347-7323-00	FILM	1
9	075-0385-00	JACK(OPTICAL OUTPUT)	1	43	347-7324-00	FILM	1
10	092-4000-51	ANT-RECEPT	1	44	345-3799-20	RUBBER PART	12
11	313-1904-00	HEAT SINK	1	45	816-2648-00	FLAT WIRE	1
12	313-1905-00	HEAT SINK	1	46	816-2650-00	FLAT WIRE	1
13	321-1036-00	CLAMP	1	47	714-2603-80	MACHINE SCREW(M2.6 x 3)	2
14	331-3849-00	IC HOLDER	1	48	714-2604-81	MACHINE SCREW(M2.6 x 4)	8
15	331-3850-00	CONECTOR HOLDER	1	49	714-2605-81	MACHINE SCREW(M2.6 x 5)	6
16	331-3851-00	IC HOLDER	1	50	714-5008-41	MACHINE SCREW(M5 x 8)	2
17	331-3852-00	CONECTOR HOLDER	1	51	716-0878-00	IT-SCREW(M2.6 x 5)	4
18	331-3893-00	SHILD CVR	1	52	716-1611-00	SPECIAL SCREW(M2.6 x 4)	2
19	347-7283-00	FILM	1	53	731-2608-80	TAPTIGHT(M2.6 x 8)	4
20	347-7284-00	INSULATOR	1	54	750-3137-02	SPRING(L)	1
21	347-7285-00	SPACER	1	55	750-3137-03	SPRING(R)	1
22	714-2605-81	MACHINE SCREW(M2.6 x 5)	3	56	780-2612-00	SPECIAL SCREW(M2.6 x 12)	2
23	714-2606-81	MACHINE SCREW(M2.6 x 6)	3	57	714-2604-03	MACHINE SCREW(M2.6 x 4)	2
24	714-3005-81	MACHINE SCREW(M3 x 5)	1	58	331-3909-00	EARTH PLATE	1
25	731-2612-87	TAPTIGHT(M2.6 x 12)	2	59	345-5876-00	RUBBER PART	2
26	816-2649-00	FLAT WIRE	1	60	347-7333-01	PROTECT FILM	1
27	855-5498-50	RCA-PIN-CORD	1	61	347-7334-00	PROTECT FILM	1
28	-----	SUB PWB	1	62	347-7336-01	PROTECT FILM	1
29	345-5481-00	RUBBER PART	1	63	347-7336-02	PROTECT FILM	1
30	345-8692-00	CUSHION	1	64	347-6110-00	INSULATOR	1
31	855-5497-50	RCA-PIN-CORD	1	65	345-5344-00	GASKET	1
32	855-5499-50	RCA-PIN-CORD	1	66	286-6433-01 286-6473-00 286-6474-00	SETPLATE(B-A) SETPLATE(K-A) SETPLATE(K-B)	1
33	020-3042-00	FAN MOTOR	1				
34	039-2508-00	FPC(WITHOUT COMPONENT)	1				

DCP section



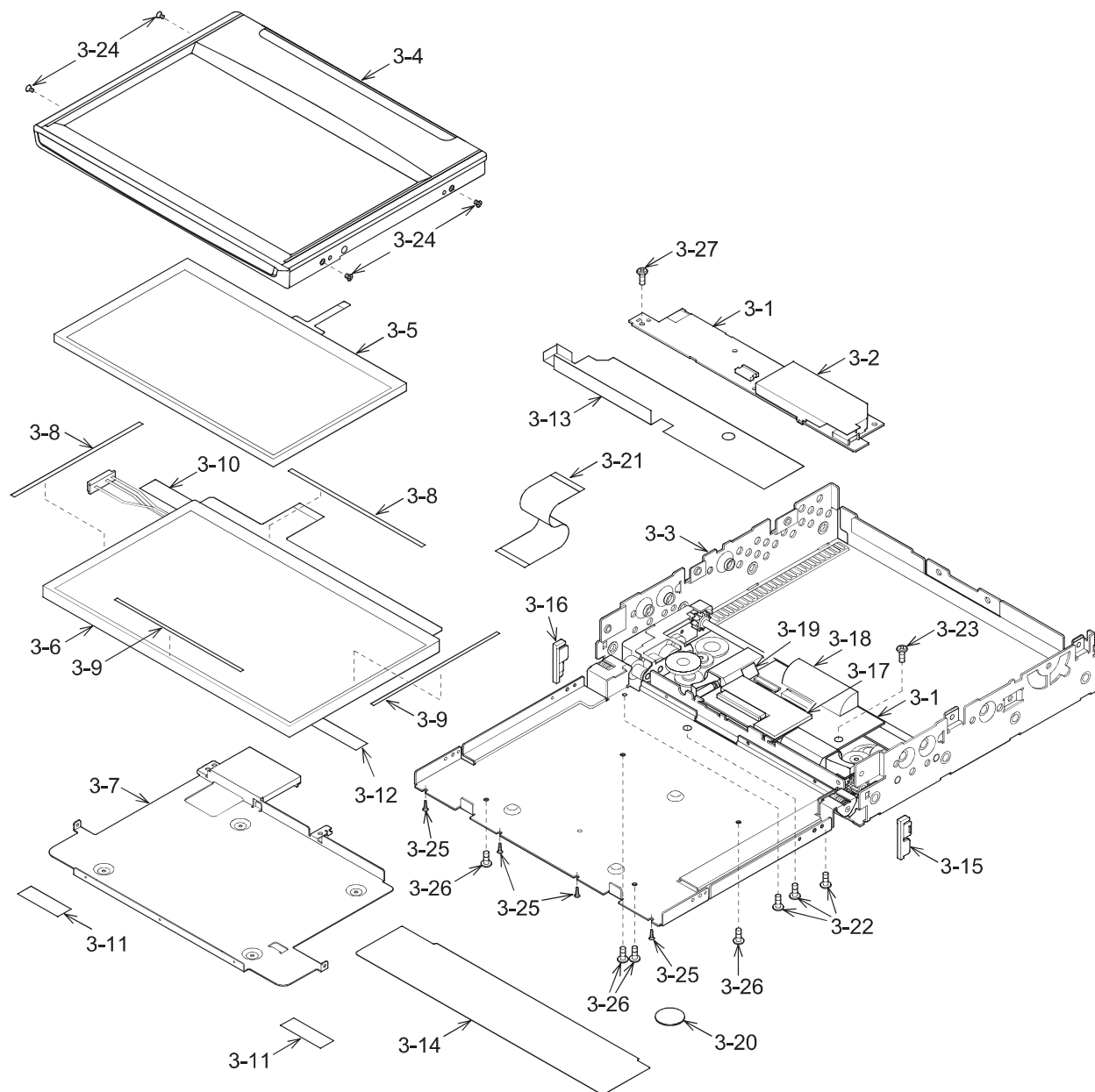
NO.	PART NO.	DESCRIPTION	Q'TY	NO.	PART NO.	DESCRIPTION	Q'TY
1-1	940-8054-00 940-8054-10	ESCUTCHEON-ASSY(B-A) ESCUTCHEON-ASSY(K-A,K-B)	1	1-13	382-6921-00	BUTTON(FUNC)	1
1-2	947-0551-00	REAR-CVR-ASSY	1	1-14	750-6779-00	SPRING	1
1-3	373-1028-00	DIAL-CVR	1	1-15	335-7130-00	BUTTON HOLDER	2
1-4	335-7131-00	IR FILTER	1	1-16	347-7303-00	INSULATOR	2
1-5	382-6913-00 382-6913-10	BUTTON(RELEASE:B-A) BUTTON(RELEASE:K-A,K-B)	1	1-17	347-7304-00	INSULATOR(SIDE)	2
1-6	382-6914-00	BUTTON(1,3,5)	1	1-18	-----	SWITCH PWB	1
1-7	382-6915-00	BUTTON(2,4,6)	1	1-19	331-3847-00	LCD-CVR	1
1-8	382-6916-00	BUTTON(SARCH)	1	1-20	335-7125-00	LCD HOLDER	1
1-9	382-6917-00	BUTTON(PLAY)	1	1-21	335-7126-00	ILLUMI PLATE	1
1-10	382-6918-00	BUTTON(ADJ)	1	1-22	345-5473-00	RUBBER PARTS	1
1-11	382-6919-00	BUTTON(OPEN)	1	1-23	347-7266-00	FILM	1
1-12	382-6920-00	BUTTON(VOL)	1	1-24	379-1302-41	LCD	1
				1-25	716-0872-11	SPECIAL SCREW(M1.7 x 6)	4

Inner Escutcheon section



NO.	PART NO.	DESCRIPTION	Q'TY	NO.	PART NO.	DESCRIPTION	Q'TY
2-1	940-8053-00	ESCUTCHEON-ASSY	1	2-16	345-5472-00	CUSHION	1
2-2	946-0085-00	ARM-L-ASSY	1	2-17	346-0168-00	LEATHER SHEET	1
2-3	946-0086-00	ARM-R-ASSY	1	2-18	346-0169-00	LEATHER SHEET	1
2-4	946-0087-00	HOLDER-ASSY	1	2-19	347-7008-00	FPC SUPPORT	1
2-5	039-2409-00	FPC(WITHOUT COMPONENT)	1	2-20	613-0683-00	GEAR	1
2-6	074-1278-01	OUTLET SOKET(DCP)	1	2-21	613-0684-00	FAN GEAR	1
2-7	290-8427-00	LABEL(SAFTY)	1	2-22	613-0730-00	GEAR DAMPER	1
2-8	291-0092-00	STICKER(SEcurity)	1	2-23	716-3444-00	SPECIAL SCREW(M1.7)	2
2-9	335-6499-00	CN-CVR	1	2-24	738-1722-17	PRECISION SCREW(M1.7x2.2)	3
2-10	335-7121-00	HOOK	1	2-25	743-1500-10	E-RING	2
2-11	335-7122-00	SLIDER	1	2-26	746-0761-00	SPECIAL WASHER	2
2-12	335-7123-00	HOOK LOCK	1	2-27	750-3341-00	SPRING(HOOK)	1
2-13	335-7124-01	HOOK DCP	1	2-28	750-6777-00	SPRING(OPEN)	1
2-14	341-1807-00	SHAFT	1	2-29	750-6778-00	SPRING	1
2-15	345-5471-00	SLIDER	2	2-30	780-2004-01	SPECIAL SCREW(M2 x 4)	5

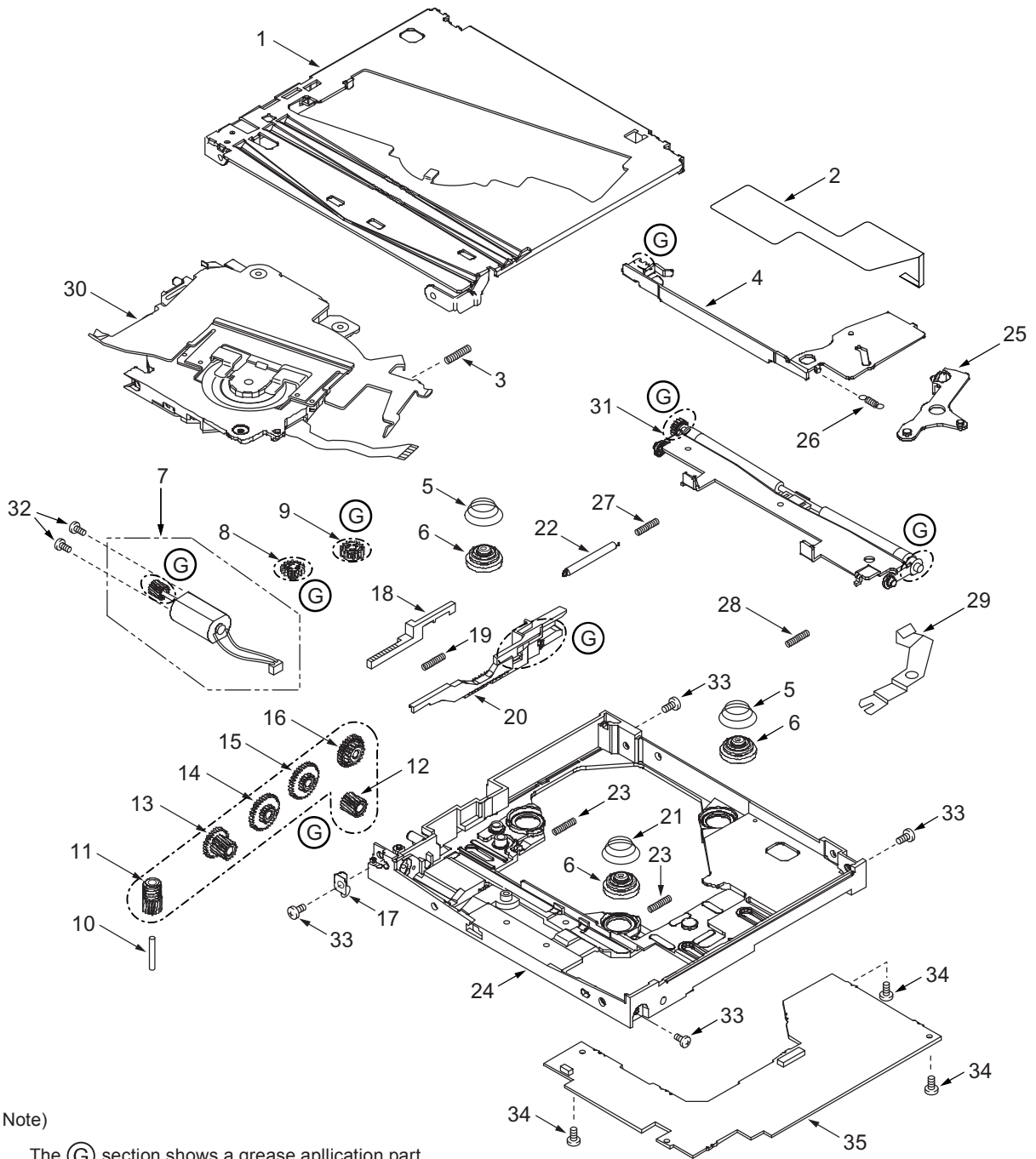
Monitor section



NO.	PART NO.	DESCRIPTION	Q'TY
3-1	-----	LCD PWB	1
3-2	331-3892-00	SHILD CVR	1
3-3	948-0692-00	SLIDE-MECH-ASSY	1
3-4	940-8056-00 940-8056-10	PANEL-ES-ASSY(B-A) PANEL-ES-ASSY(K-A,K-B)	1
3-5	013-9710-00	TOUCH PANEL	1
3-6	379-5006-00	INDICATOR	1
3-7	331-3884-01	LCD-BRKT	1
3-8	347-6085-00	DOUBLE FACE	2
3-9	347-7038-00	SPACER	2
3-10	347-7282-00	FILM	1
3-11	347-7301-00	FILM	2
3-12	347-7302-00	DOUBLE FACE	1
3-13	347-7262-00	INSULATOR	1
3-14	347-7265-00	SHADE	1

NO.	PART NO.	DESCRIPTION	Q'TY
3-15	335-7163-00	SIDE-CVR(L)	1
3-16	335-7164-00	SIDE-CVR(R)	1
3-17	345-5470-00	RUBBER PART	1
3-18	347-7261-00	SPACER	1
3-19	347-7300-00	INSULATOR	1
3-20	347-7260-00	INSULATOR	1
3-21	039-2509-00	FPC(WITHOUT COMPONENT)	1
3-22	716-0872-11	SPECIAL SCREW(M1.7 x 6)	3
3-23	780-2003-00	SPECIAL SCREW(M2 x 3)	1
3-24	781-1722-00	SPECIAL SCREW(M1.7 x 2.2)	4
3-25	781-1750-00	SPECIAL SCREW(phi1.7 x 5)	4
3-26	781-2002-00	SPECIAL SCREW(M2 x 2)	4
3-27	716-1816-00	SPECIAL SCREW(M2 x 4)	1

DVD mechanism section



Note)

The (G) section shows a grease application part.

Grease uses MOLYKOTE PG-641.

NO.	PART NO.	DESCRIPTION	Q'TY	NO.	PART NO.	DESCRIPTION	Q'TY
1	658-0239-04	UPPER CHASSIS	1	10	658-0237-96	LOADING GEAR SHAFT	1
2	658-0239-05	SENSOR FPC ASSY (WITH COMPONENT)	1	11	658-0237-97	LOADING GEAR(1)	1
3	658-0237-88	EARTH SPRING	1	12	658-0237-98	LOADING GEAR(2)	1
4	658-0239-06	SUSPENSION LOCK LEVER(L)	1	13	658-0237-99	LOADING GEAR(3)	1
5	658-0237-90	SUSPENSION SPRING	2	14	658-0238-01	LOADING GEAR(4)	1
6	658-0239-07	DAMPER	3	15	658-0238-02	LOADING GEAR(5)	1
7	658-0237-92	LOADING MOTOR ASSY	1	16	658-0238-03	LOADING GEAR(6)	1
8	658-0237-94	LOCK GEAR(1)	1	17	658-0238-04	GEAR HOUSING SPRING	1
9	658-0237-95	LOCK GEAR(2)	1	18	658-0238-05	CLAMP RACK	1

NO.	PART NO.	DESCRIPTION	Q'TY	NO.	PART NO.	DESCRIPTION	Q'TY
19	658-0238-06	CLAMP RACK SPRING	1	28	658-0238-16	FEEDER SPRING(R)	1
20	658-0238-07	SLIDE LEVER	1	29	658-0238-17	UPPER SPRING	1
21	658-0238-08	SUSPENSION SPRING(F)	1	30	658-0239-08	SUSPENSION ASSY	1
22	658-0238-09	SLIDE LEVER SPRING	1	31	658-0239-09	FEEDER ARM ASSY	1
23	658-0238-10	OFFSET SPRING	2	32	658-0238-21	SCREW	2
24	658-0238-11	MAIN CHASSIS	1	33	658-0238-22	SCREW	4
25	658-0238-12	SUSPENSION LOCK LEVER(R)	1	34	658-0238-23	SCREW	3
26	658-0238-13	SUS-LOCK LEVER(L) SPRING	1	35	-----	SERVO PWB	1
27	658-0238-15	FEEDER SPRING(L)	1				

Note)

1. Do not remove the parts in No.30 SUSPENSION ASSY.  
When removing the parts in No.30, special adjustment is required.

# ELECTRICAL PARTS LIST

## Main PWB(B1) section

Note) Several different parts of the same reference number are alternative parts.

One of those parts is used in the set.

REF No.	PART No.	DESCRIPTION	REF No.	PART No.	DESCRIPTION	REF No.	PART No.	DESCRIPTION
ANT401	092-4000-51	ANT-RECEPT	C317	168-1042-78	16V 0.1uF	C472	043-0264-56	270pF
BL401	880-2091B	AM/FM TUNER	C322	168-1042-78	16V 0.1uF	C473	043-0264-56	270pF
C101	168-1042-78	16V 0.1uF	C323	168-1042-78	16V 0.1uF	C474	043-0264-56	270pF
C102	168-1042-78	16V 0.1uF	C324	042-0619-51	6.3V56uF	C475	043-0264-56	270pF
C103	042-0567-53	6.3V10uF	C325	168-1042-78	16V 0.1uF	C476	043-0264-56	270pF
C104	176-2201-50	22pF CH	C326	168-1042-78	16V 0.1uF	C477	043-0264-56	270pF
C105	176-1801-50	18pF CH	C327	042-0619-51	6.3V56uF	C478	166-2701-50	27pF CH
C106	168-1042-78	16V 0.1uF	C328	168-1045-56	0.1uF	C479	166-2701-50	27pF CH
C107	042-0416-50	16V4.7uF M TAN	C329	163-4763-15	6.3V47uF	C480	166-2701-50	27pF CH
C108	168-1042-78	16V 0.1uF	C330	042-0643-52	6.3V1000uF	C481	166-2701-50	27pF CH
C109	042-0567-53	6.3V10uF	C331	042-0643-52	6.3V1000uF	C482	166-2701-50	27pF CH
C110	178-1052-78	1uF	C350	178-1052-78	1uF	C483	166-2701-50	27pF CH
C111	168-1022-55	1000pF	C351	168-1032-55	0.01uF	C484	043-0296-50	0.1uF
C112	168-1032-55	0.01uF	C352	163-2263-35	16V22uF	C485	043-0296-50	0.1uF
C113	168-1032-55	0.01uF	C353	168-1032-55	0.01uF	C486	043-0296-50	0.1uF
C114	168-1022-55	1000pF	C354	168-2222-55	2200pF	C487	163-1063-35	16V10uF
C117	168-1032-55	0.01uF	C355	168-2222-55	2200pF	C488	163-1063-35	16V10uF
C118	168-1042-78	16V 0.1uF	C356	168-2222-55	2200pF	C489	168-6812-55	680pF
C119	042-1596-00	5.5V0.33F	C357	168-2222-55	2200pF	C491	168-6812-55	680pF
C120	178-1052-78	1uF	C358	168-2222-55	2200pF	C495	168-6812-55	680pF
C121	163-4763-15	6.3V47uF	C359	168-2222-55	2200pF	C496	168-6812-55	680pF
C123	166-1011-50	100pF CH	C360	168-2222-55	2200pF	C1101	042-0592-58	16V10uF
C124	166-1011-50	100pF CH	C361	168-2222-55	2200pF	C1102	042-0592-58	16V10uF
C125	178-1052-78	1uF	C362	168-1042-78	16V 0.1uF	C1103	042-0592-58	16V10uF
C126	042-0643-51	16V100uF	C363	172-2241-11	0.22uF	C1104	042-0592-58	16V10uF
C127	042-0643-56	16V470uF M	C364	042-1545-00	16V2200uF	C1106	166-2201-50	22pF CH
C128	042-0643-56	16V470uF M	C365	178-2242-78	0.22uF	C1109	042-0643-51	16V100uF
C129	042-0643-51	16V100uF	C366	178-2242-78	0.22uF	C1110	168-1032-55	0.01uF
C131	166-1011-50	100pF CH	C367	178-2242-78	0.22uF	C1113	168-1042-78	16V 0.1uF
C208	168-1042-78	16V 0.1uF	C368	178-2242-78	0.22uF	C1116	168-2232-55	0.022uF
C209	042-0416-57	10V47uF M TAN	C369	163-1063-35	16V10uF	C1117	042-0592-58	16V10uF
C212	168-1042-78	16V 0.1uF	C372	163-1063-35	16V10uF	C1119	166-1011-50	100pF CH
C214	168-1032-55	0.01uF	C375	166-2201-50	22pF CH	C1120	168-1042-78	16V 0.1uF
C215	042-0416-57	10V47uF M TAN	C376	166-2201-50	22pF CH	C1121	163-4763-15	6.3V47uF
C216	168-1042-78	16V 0.1uF	C377	163-1053-65	50V1uF	C1124	163-1063-35	16V10uF
C217	168-1042-78	16V 0.1uF	C378	166-2201-50	22pF CH	C1125	168-1042-78	16V 0.1uF
C218	168-1042-78	16V 0.1uF	C379	166-2201-50	22pF CH	C1126	042-0595-84	10V100uF
C219	168-1042-78	16V 0.1uF	C384	163-1053-65	50V1uF	C1127	168-1042-78	16V 0.1uF
C220	168-1042-78	16V 0.1uF	C385	163-1063-35	16V10uF	C1132	163-1063-35	16V10uF
C221	168-1042-78	16V 0.1uF	C386	172-2241-11	0.22uF	C1133	163-1063-35	16V10uF
C222	168-1042-78	16V 0.1uF	C401	163-1063-35	16V10uF	C1143	168-4712-55	470pF
C223	168-1042-78	16V 0.1uF	C404	168-1032-55	0.01uF	C1144	168-4712-55	470pF
C224	168-1042-78	16V 0.1uF	C407	168-1022-55	1000pF	C1145	168-4712-55	470pF
C225	042-0567-53	6.3V10uF	C408	168-1022-55	1000pF	C1146	168-4712-55	470pF
C226	168-1042-78	16V 0.1uF	C409	168-1022-55	1000pF	C1147	166-1011-50	100pF CH
C227	166-5611-50	560pF CH	C410	168-1022-55	1000pF	C1148	166-4701-50	47pF CH
C228	168-1042-78	16V 0.1uF	C411	168-1022-55	1000pF	C1149	166-4701-50	47pF CH
C229	042-0567-53	6.3V10uF	C412	168-1022-55	1000pF	C1151	042-0619-51	6.3V56uF
C230	168-1042-78	16V 0.1uF	C413	163-2273-25	10V 220uF	C1152	168-1045-56	0.1uF
C231	168-1042-78	16V 0.1uF	C414	168-1042-78	16V 0.1uF	C1153	042-0560-84	16V470uF
C232	168-1042-78	16V 0.1uF	C415	163-1063-35	16V10uF	C1154	168-1045-56	0.1uF
C233	042-0416-57	10V47uF M TAN	C416	166-1011-50	100pF CH	C1155	163-2263-35	16V22uF
C234	166-5601-54	560pF TH	C417	166-1011-50	100pF CH	C1156	168-4735-56	0.047uF
C235	168-1042-78	16V 0.1uF	C418	178-1052-78	1uF	C1157	163-1073-15	6.3V100uF
C236	168-3322-55	3300pF	C419	168-1042-78	16V 0.1uF	C1158	168-1042-78	16V 0.1uF
C237	168-1042-78	16V 0.1uF	C420	168-2232-55	0.022uF	C1159	163-4753-55	35V4.7uF
C300	042-0595-84	10V100uF	C450	163-1063-35	16V10uF	C1160	163-1053-65	50V1uF
C301	042-0635-51	16V39uF	C451	168-1042-78	16V 0.1uF	C1161	168-1045-56	0.1uF
C302	163-2263-35	16V22uF	C452	163-1063-35	16V10uF	C1162	163-4753-55	35V4.7uF
C303	168-1042-78	16V 0.1uF	C455	163-1063-35	16V10uF	C1163	168-1045-56	0.1uF
C304	168-4732-78	0.047uF	C456	163-1063-35	16V10uF	C1164	168-1042-78	16V 0.1uF
C305	168-1042-78	16V 0.1uF	C457	163-1063-35	16V10uF	C1165	168-3335-56	0.033uF
C306	042-0627-90	16V100uF	C458	163-1063-35	16V10uF	C1166	163-4753-55	35V4.7uF
C307	163-4763-35	16V47uF	C459	168-1042-78	16V 0.1uF	C1167	166-1811-50	180pF CH
C308	042-0416-57	10V47uF M TAN	C466	163-1063-35	16V10uF	C1168	168-1045-56	0.1uF
C309	168-1042-78	16V 0.1uF	C467	163-1063-35	16V10uF	C1169	168-1042-78	16V 0.1uF
C310	178-3342-78	0.33uF	C468	163-1063-35	16V10uF	C1170	163-1073-15	6.3V100uF
C311	043-0506-50	0.1uF	C469	163-1063-35	16V10uF	C1171	163-4753-55	35V4.7uF
C312	163-4763-15	6.3V47uF	C470	163-1063-35	16V10uF	C1172	166-1011-50	100pF CH
C316	168-1042-78	16V 0.1uF	C471	163-1063-35	16V10uF	C1173	168-1042-78	16V 0.1uF

REF No.	PART No.	DESCRIPTION	REF No.	PART No.	DESCRIPTION	REF No.	PART No.	DESCRIPTION
C1175	168-1022-55	1000pF	D401	001-0516-90	MA111	L409	010-3105-62	MMZ1608S1
C1176	168-1022-55	1000pF	D402	001-0516-90	MA111	L410	010-3105-62	MMZ1608S1
C1178	168-2232-55	0.022uF	D403	001-0516-90	MA111	L411	010-3105-62	MMZ1608S1
C1179	166-1007-50	10pF CH	D404	001-0529-29	MA8051-M	L413	010-3105-62	MMZ1608S1
C1180	168-4712-55	470pF	D450	001-0516-90	MA111	L414	010-2285-58	BLM21A102FPB
C1181	166-1007-50	10pF CH	D451	001-0516-90	MA111	L415	010-2285-58	BLM21A102FPB
C1182	166-1011-50	100pF CH	D452	001-0516-90	MA111	L416	010-2285-58	BLM21B222S
C1184	166-1011-50	100pF CH	F350	060-8023-58	3A	L417	010-2285-58	BLM21B222S
C1185	168-1045-56	0.1uF	FIL450	060-3102-91	NFM51R00P206	L418	010-2285-58	BLM21B222S
C1186	168-2232-55	0.022uF	FIL451	060-3102-91	NFM51R00P206	L419	010-2285-58	BLM21B222S
C1187	168-2232-55	0.022uF	FIL452	060-3102-91	NFM51R00P206	L420	010-2285-58	BLM21A102FPB
C1190	168-2232-55	0.022uF	FIL453	060-3102-91	NFM51R00P206	L450	010-2285-58	BLM21A102FPB
C1191	042-0416-52	10V10uF M TAN	FIL454	060-3102-91	NFM51R00P206	L451	010-2285-58	BLM21A102FPB
C1192	042-0416-52	10V10uF M TAN	FIL455	060-3102-91	NFM51R00P206	L452	010-2285-58	BLM21A102FPB
C1193	168-1022-55	1000pF	IC101	051-9400-29	BR93L46F-WE2	L453	010-2285-58	BLM21A102FPB
C1195	042-0619-51	6.3V56uF	IC102	052-7069-90	UPD70F3276YGJ-UEN	L454	010-2285-58	BLM21A102FPB
C1197	168-1042-78	16V 0.1uF	IC103	051-5408-08	S-80921ANMP-DDJ	L455	010-2285-58	BLM21A102FPB
C1199	042-0416-52	10V10uF M TAN	IC105	051-5440-08	S-80931ANMP-DDV	P300	076-0349-02	2P
C1201	042-0416-52	10V10uF M TAN	IC107	051-3406-90	NJM2078M	Q101	125-2004-96	RN1406
C1202	168-1042-78	16V 0.1uF	IC107	051-3406-90	NJM2078M	Q102	190-1736-00	2SA1736
C1203	168-1045-56	0.1uF	IC203	052-6061-00	M27C160-100M6	Q104	125-0021-97	DTA113ZU
C1204	166-1011-50	100pF CH	IC206	051-5336-90	MM1227	Q106	125-2004-92	RN1402
C1205	168-3322-55	3300pF	IC207	051-6437-00	YGV608F	Q107	125-2004-93	RN1403
C1206	168-3322-55	3300pF	IC208	051-7510-08	SN74LV4053APWR	Q111	192-2712-00	2SC2712
C1207	168-3322-55	3300pF	IC209	051-7221-08	TC7SH04FEL	Q112	192-2712-00	2SC2712
C1208	168-3322-55	3300pF	IC210	051-7275-08	TC7W32FU TE12L	Q113	192-2712-00	2SC2712
C1451	168-6812-55	680pF	IC211	051-7256-08	SN74AHCT1G32DCKR	Q201	125-2004-92	RN1402
C1452	168-6812-55	680pF	IC212	051-1485-08	MC74HC4046AF	Q202	125-0002-95	RN2405
C1453	168-6812-55	680pF	IC300	051-3294-90	TA78DS10F	Q300	102-3420-50	2SC3420GR,BL
C1454	168-6812-55	680pF	IC301	051-3335-90	AN77L04M-E1	Q301	101-1143-00	2SB1143
C1455	168-6812-55	680pF	IC303	051-7243-48	SN74AHCT1G08DCKR	Q302	125-2004-92	RN1402
C1456	168-6812-55	680pF	IC304	051-3246-90	BA033FP	Q303	190-1298-00	2SA1298
C1457	168-6812-55	680pF	IC305	051-3336-90	BA18BCOFP	Q304	108-0241-50	2SK241Y,GR
C1458	168-6812-55	680pF	IC350	051-6600-58	HA12187FP	Q305	190-1736-00	2SA1736
CCT101	050-0140-52	1/32W 100 ohm x4J	IC351	051-2054-00	TDA8592J/N2	Q306	125-2004-96	RN1406
CCT102	050-0140-52	1/32W 100 ohm x4J	IC352	051-3019-90	NJM2060V	Q307	100-1428-00	2SA1428
CCT103	050-0140-52	1/32W 100 ohm x4J	IC402	051-1905-91	AN77L05M	Q308	125-2004-93	RN1403
CCT104	050-0140-52	1/32W 100 ohm x4J	IC408	051-0350-93	NJM4558M	Q309	190-1162-50	2SA1162Y.G
CCT201	050-0140-63	1/32W 47k ohm x4J	IC409	051-6706-00	SAF7730H/N114	Q310	125-2004-97	RN1407
CCT202	050-0140-63	1/32W 47k ohm x4J	IC410	051-6703-08	AK4384VT-E2	Q311	101-1143-00	2SB1143
CCT205	050-0140-58	1/32W 470 ohm x4J	IC411	051-6703-08	AK4384VT-E2	Q312	125-0002-96	RN2406
CCT206	050-0140-58	1/32W 470 ohm x4J	IC412	051-3246-90	BA033FP	Q313	125-2004-96	RN1406
CCT208	050-0140-63	1/32W 47k ohm x4J	IC413	051-3026-90	NJM4580V	Q314	192-2712-50	2SC2712Y.G.L
CCT209	050-0140-63	1/32W 47k ohm x4J	IC451	051-3015-90	NJM4580M	Q315	125-2004-96	RN1406
CCT212	050-0140-58	1/32W 470 ohm x4J	IC452	051-3015-90	NJM4580M	Q316	190-1736-00	2SA1736
CCT213	050-0140-58	1/32W 470 ohm x4J	IC453	051-3015-90	NJM4580M	Q350	125-2004-93	RN1403
CCT214	050-0140-58	1/32W 470 ohm x4J	J101	076-0353-17	PLUG(17P)	Q351	125-2004-93	RN1403
CCT215	050-0140-58	1/32W 470 ohm x4J	J102	074-1205-93	43P	Q352	125-0002-93	RN2403
CCT216	050-0140-58	1/32W 470 ohm x4J	J104	074-1199-68	18P	Q353	125-2004-93	RN1403
CCT217	050-0140-58	1/32W 470 ohm x4J	J105	074-2001-82	32P	Q354	190-1736-00	2SA1736
CCT218	050-0140-58	1/32W 470 ohm x4J	J106	074-1201-56	6P	Q355	192-2712-00	2SC2712
CCT219	050-0140-58	1/32W 470 ohm x4J	J300	075-0385-00	JACK	Q356	190-1298-00	2SA1298
CCT220	050-0140-58	1/32W 470 ohm x4J	J301	074-1287-90	40P	Q357	125-2004-93	RN1403
D101	001-7062-93	RFR1111C-TR	J350	074-1194-00	13P CE-NET	Q358	190-1736-00	2SA1736
D103	001-0516-90	MA111	J351	074-1214-00	16P	Q359	125-0002-93	RN2403
D106	001-0529-43	MA8082-L	L101	010-2279-50	4.7uH	Q360	192-2712-50	2SC2712Y.G.L
D300	001-0504-47	HZS9B3L	L103	010-2279-50	4.7uH	Q361	190-1162-50	2SA1162Y.G
D301	001-2403-90	M1F60	L201	010-2279-50	4.7uH	Q401	125-2004-96	RN1406
D302	001-2403-90	M1F60	L202	010-2279-50	4.7uH	Q402	125-2004-96	RN1406
D303	001-2403-90	M1F60	L203	010-2279-50	4.7uH	Q403	190-1298-00	2SA1298
D304	001-0516-90	MA111	L204	010-2279-50	4.7uH	Q404	190-1298-00	2SA1298
D305	001-0516-90	MA111	L205	010-2285-51	BLM21A05PT	Q450	193-1306-00	2SD1306
D306	001-0516-90	MA111	L206	010-2285-51	BLM21A05PT	Q451	193-1306-00	2SD1306
D307	001-0516-90	MA111	L207	010-2285-51	BLM21A05PT	Q452	193-1306-00	2SD1306
D308	001-0529-44	MA8082-M	L208	010-2279-50	4.7uH	Q453	193-1306-00	2SD1306
D310	001-0516-90	MA111	L300	010-3041-90	10uH	Q454	193-1306-00	2SD1306
D350	001-0516-90	MA111	L401	010-2003-04	COIL	Q455	193-1306-00	2SD1306
D351	001-2403-90	M1F60	L402	010-2279-50	4.7uH	Q1101	125-7005-90	PHK04P02T
D352	001-2403-90	M1F60	L403	010-2279-50	4.7uH	R101	119-1031-15	1/10W 10k ohm(K-A,B)
D353	001-0516-90	MA111	L404	010-3105-62	MMZ1608S1	R102	119-1031-15	1/10W 10k ohm(B-A)
D354	001-0516-90	MA111	L405	010-3105-62	MMZ1608S1	R103	119-1031-15	1/10W 10k ohm
D355	001-0516-90	MA111	L406	010-3105-62	MMZ1608S1	R104	119-1031-15	1/10W 10k ohm
D356	001-0592-20	RM4Z	L407	010-3109-63	MMZ2012Y102BT	R105	119-1031-15	1/10W 10k ohm
D357	001-0516-90	MA111	L408	010-3105-62	MMZ1608S1			

REF No.	PART No.	DESCRIPTION	REF No.	PART No.	DESCRIPTION	REF No.	PART No.	DESCRIPTION
R106	119-1031-15	1/10W 10k ohm	R206	119-4711-15	1/10W 470 ohm	R363	116-1591-15	1/4W 1.5 ohm
R109	119-1031-15	1/10W 10k ohm	R207	119-5131-15	1/10W 51k ohm	R364	116-1591-15	1/4W 1.5 ohm
R110	119-1031-15	1/10W 10k ohm(B-A)	R208	119-1531-15	1/10W 15k ohm	R365	119-3321-15	1/10W 3.3k ohm
R111	119-1031-15	1/10W 10k ohm(K-A,B)	R209	119-5131-15	1/10W 51k ohm	R366	119-2231-15	1/10W 22k ohm
R112	119-1031-15	1/10W 10k ohm	R210	119-1531-15	1/10W 15k ohm	R367	116-1591-15	1/4W 1.5 ohm
R114	119-2011-15	1/8W 200ohm	R211	119-5131-15	1/10W 51k ohm	R368	116-1591-15	1/4W 1.5 ohm
R115	119-2011-15	1/8W 200ohm	R212	119-1531-15	1/10W 15k ohm	R369	119-3321-15	1/10W 3.3k ohm
R116	119-2011-15	1/8W 200ohm	R213	119-1211-15	1/10W 120 ohm	R370	119-1031-15	1/10W 10k ohm
R117	119-2011-15	1/8W 200ohm	R214	119-1211-15	1/10W 120 ohm	R371	032-0140-50	1/10W 10k ohm F
R118	119-1031-15	1/10W 10k ohm	R215	119-1211-15	1/10W 120 ohm	R374	119-1031-15	1/10W 10k ohm
R119	119-1031-15	1/10W 10k ohm	R216	119-1011-15	1/10W 100 ohm	R375	119-1031-15	1/10W 10k ohm
R121	119-1031-15	1/10W 10k ohm	R217	119-1011-15	1/10W 100 ohm	R376	119-1031-15	1/10W 10k ohm
R122	119-1031-15	1/10W 10k ohm	R218	119-1011-15	1/10W 100 ohm	R377	119-1031-15	1/10W 10k ohm
R123	119-1031-15	1/10W 10k ohm	R219	119-3311-15	1/10W 330 ohm	R382	119-1031-15	1/10W 10k ohm
R124	119-1031-15	1/10W 10k ohm	R220	119-1531-15	1/10W 15k ohm	R383	119-1031-15	1/10W 10k ohm
R125	119-1031-15	1/10W 10k ohm	R221	119-3311-15	1/10W 330 ohm	R384	119-1031-15	1/10W 10k ohm
R126	119-1031-15	1/10W 10k ohm	R222	119-1531-15	1/10W 15k ohm	R385	119-1031-15	1/10W 10k ohm
R127	119-1031-15	1/10W 10k ohm	R223	119-5131-15	1/10W 51k ohm	R392	119-1031-15	1/10W 10k ohm
R128	119-1031-15	1/10W 10k ohm	R224	119-1011-15	1/10W 100 ohm	R393	119-2221-15	1/10W 2.2k ohm
R129	119-1031-15	1/10W 10k ohm	R225	119-3311-15	1/10W 330 ohm	R401	119-1031-15	1/10W 10k ohm
R130	119-4711-15	1/10W 470 ohm	R226	119-1531-15	1/10W 15k ohm	R402	119-1031-15	1/10W 10k ohm
R131	119-2221-15	1/10W 2.2k ohm	R227	119-5131-15	1/10W 51k ohm	R403	119-1031-15	1/10W 10k ohm
R132	119-2221-15	1/10W 2.2k ohm	R228	119-5131-15	1/10W 51k ohm	R404	119-1031-15	1/10W 10k ohm
R133	119-1031-15	1/10W 10k ohm	R229	119-1021-15	1/10W 1k ohm	R405	119-1011-15	1/10W 100 ohm
R134	119-2221-15	1/10W 2.2k ohm	R230	119-1031-15	1/10W 10k ohm	R406	119-1011-15	1/10W 100 ohm
R136	119-2231-15	1/10W 22k ohm	R231	119-2211-15	1/10W 220 ohm	R407	119-1011-15	1/10W 100 ohm
R137	119-2231-15	1/10W 22k ohm	R232	119-2211-15	1/10W 220 ohm	R408	119-4731-15	1/10W 47k ohm
R138	119-1031-15	1/10W 10k ohm	R233	119-1031-15	1/10W 10k ohm	R409	119-4731-15	1/10W 47k ohm
R139	119-1031-15	1/10W 10k ohm	R234	119-2211-15	1/10W 220 ohm	R410	119-4731-15	1/10W 47k ohm
R140	119-1031-15	1/10W 10k ohm	R235	032-0140-61	1/10W 3k ohm F	R411	119-4731-15	1/10W 47k ohm
R141	119-1031-15	1/10W 10k ohm	R236	032-0140-69	1/10W 16k ohm F	R412	119-1831-15	1/10W 18k ohm
R142	119-1031-15	1/10W 10k ohm	R237	119-1021-15	1/10W 1k ohm	R413	119-1831-15	1/10W 18k ohm
R143	119-1031-15	1/10W 10k ohm	R300	119-1011-15	1/10W 100 ohm	R414	119-1831-15	1/10W 18k ohm
R144	119-1031-15	1/10W 10k ohm	R301	119-2701-15	1/10W 27 ohm	R415	119-1831-15	1/10W 18k ohm
R145	119-1011-15	1/10W 100 ohm	R302	119-5611-15	1/10W 560 ohm	R430	119-1031-15	1/10W 10k ohm
R146	119-1031-15	1/10W 10k ohm	R303	119-2701-15	1/10W 27 ohm	R435	119-1021-15	1/10W 1k ohm
R147	119-1031-15	1/10W 10k ohm	R304	119-2701-15	1/10W 27 ohm	R436	119-1221-15	1/10W 1.2k ohm
R148	119-1031-15	1/10W 10k ohm	R305	119-1031-15	1/10W 10k ohm	R437	119-1041-15	1/10W 100k ohm
R149	119-1041-15	1/10W 100k ohm	R306	116-1221-15	1/4W 1.2k ohm	R438	119-1241-15	1/10W 120k ohm
R151	119-1021-15	1/10W 1k ohm	R307	119-1031-15	1/10W 10k ohm	R440	119-4721-15	1/10W 4.7k ohm
R152	119-1041-15	1/10W 100k ohm	R308	119-1521-15	1/10W 1.5k ohm	R441	119-4721-15	1/10W 4.7k ohm
R153	032-0140-03	1/10W 220k ohmF	R309	119-7501-15	1/10W 75 ohm	R442	119-1031-15	1/10W 10k ohm
R155	119-1021-15	1/10W 1k ohm	R310	119-7501-15	1/10W 75 ohm	R443	119-1031-15	1/10W 10k ohm
R156	119-4741-15	1/10W 470k ohm	R311	119-7501-15	1/10W 75 ohm	R444	119-5611-15	1/10W 560 ohm
R157	032-0140-67	1/10W 3.3k ohm F	R312	119-7501-15	1/10W 75 ohm	R445	119-5611-15	1/10W 560 ohm
R158	032-0140-03	1/10W 220k ohmF	R313	119-7501-15	1/10W 75 ohm	R446	119-1011-15	1/10W 100 ohm
R161	032-0140-56	1/10W 51k ohm F	R314	119-7501-15	1/10W 75 ohm	R447	116-6801-15	1/4W 68 ohm
R163	119-1031-15	1/10W 10k ohm	R315	119-7501-15	1/10W 75 ohm	R452	119-1051-15	1/10W 1M ohm
R165	119-1031-15	1/10W 10k ohm	R316	116-1221-15	1/4W 1.2k ohm	R453	119-1051-15	1/10W 1M ohm
R166	119-1031-15	1/10W 10k ohm(K-B)	R317	119-1031-15	1/10W 10k ohm	R454	119-1051-15	1/10W 1M ohm
R167	119-1031-15	1/10W 10k ohm(B-A,K-A)	R318	119-1031-15	1/10W 10k ohm	R455	119-1051-15	1/10W 1M ohm
R168	119-1031-15	1/10W 10k ohm	R319	119-2201-15	1/10W 22 ohm	R457	119-1831-15	1/10W 18k ohm
R169	119-1031-15	1/10W 10k ohm	R320	119-8221-15	1/10W 8.2k ohm	R458	119-1831-15	1/10W 18k ohm
R170	032-0140-66	1/10W 220 ohm F	R321	119-1021-15	1/10W 1k ohm	R459	119-1831-15	1/10W 18k ohm
R171	032-0140-03	1/10W 220k ohmF	R322	119-2231-15	1/10W 22k ohm	R461	119-1831-15	1/10W 18k ohm
R172	032-0140-52	1/10W 33k ohm F	R323	119-1021-15	1/10W 1k ohm	R463	119-1031-15	1/10W 10k ohm
R174	119-2221-15	1/10W 2.2k ohm	R326	119-2211-15	1/10W 220 ohm	R464	119-1031-15	1/10W 10k ohm
R175	119-1041-15	1/10W 100k ohm	R331	119-1031-15	1/10W 10k ohm	R466	119-1031-15	1/10W 10k ohm
R176	119-1041-15	1/10W 100k ohm	R332	119-3311-15	1/10W 330 ohm	R467	119-1031-15	1/10W 10k ohm
R177	119-4731-15	1/10W 47k ohm	R333	119-3311-15	1/10W 330 ohm	R468	119-1021-15	1/10W 1k ohm
R178	119-1021-15	1/10W 1k ohm	R334	119-3311-15	1/10W 330 ohm	R469	119-1021-15	1/10W 1k ohm
R179	119-1051-15	1/10W 1M ohm	R350	119-3321-15	1/10W 3.3k ohm	R470	119-1021-15	1/10W 1k ohm
R180	119-1021-15	1/10W 1k ohm	R351	116-6801-15	1/4W 68 ohm	R471	119-2231-15	1/10W 22k ohm
R181	119-1021-15	1/10W 1k ohm	R352	116-1221-15	1/4W 1.2k ohm	R472	119-2231-15	1/10W 22k ohm
R182	119-1041-15	1/10W 100k ohm	R353	119-1031-15	1/10W 10k ohm	R473	119-2231-15	1/10W 22k ohm
R183	119-1021-15	1/10W 1k ohm	R354	119-1531-15	1/10W 15k ohm	R474	119-2231-15	1/10W 22k ohm
R184	119-1041-15	1/10W 100k ohm	R355	119-1031-15	1/10W 10k ohm	R475	119-2231-15	1/10W 22k ohm
R185	119-1021-15	1/10W 1k ohm	R356	119-1031-15	1/10W 10k ohm	R476	119-2231-15	1/10W 22k ohm
R186	119-1021-15	1/10W 1k ohm	R357	119-4731-15	1/10W 47k ohm	R477	119-3311-15	1/10W 330 ohm
R187	119-1021-15	1/10W 1k ohm	R358	119-2221-15	1/10W 2.2k ohm	R478	119-3311-15	1/10W 330 ohm
R188	119-1021-15	1/10W 1k ohm	R359	116-1521-15	1/4W 1.5k ohm	R479	119-3311-15	1/10W 330 ohm
R189	119-1021-15	1/10W 1k ohm	R360	116-1221-15	1/4W 1.2k ohm	R480	119-3311-15	1/10W 330 ohm
			R361	119-1031-15	1/10W 10k ohm	R481	119-3311-15	1/10W 330 ohm
			R362	119-1031-15	1/10W 10k ohm	R482	119-3311-15	1/10W 330 ohm

REF No.	PART No.	DESCRIPTION	REF No.	PART No.	DESCRIPTION	REF No.	PART No.	DESCRIPTION
R485	119-1031-15	1/10W 10k ohm	R1122	119-1041-15	1/10W 100k ohm	R1344	119-1031-15	1/10W 10k ohm
R487	119-1031-15	1/10W 10k ohm	R1132	119-1041-15	1/10W 100k ohm	R1345	119-1031-15	1/10W 10k ohm
R491	119-1031-15	1/10W 10k ohm	R1135	119-1001-15	1/10W 10 ohm	R1451	119-1031-15	1/10W 10k ohm
R493	119-1031-15	1/10W 10k ohm	R1137	119-1011-15	1/10W 100 ohm	R1452	119-1031-15	1/10W 10k ohm
R497	119-1051-15	1/10W 1M ohm	R1138	119-1011-15	1/10W 100 ohm	R1453	119-1031-15	1/10W 10k ohm
R498	119-1051-15	1/10W 1M ohm	R1151	119-2711-15	1/10W 270 ohm	R1454	119-1031-15	1/10W 10k ohm
R499	119-1231-15	1/10W 12k ohm	R1152	119-2711-15	1/10W 270 ohm	R1455	119-1031-15	1/10W 10k ohm
R500	119-1231-15	1/10W 12k ohm	R1153	119-2711-15	1/10W 270 ohm	R1456	119-1031-15	1/10W 10k ohm
R501	119-1031-15	1/10W 10k ohm	R1154	119-1011-15	1/10W 100 ohm	R1457	119-1031-15	1/10W 10k ohm
R502	119-1031-15	1/10W 10k ohm	R1155	119-2711-15	1/10W 270 ohm	R1458	119-1031-15	1/10W 10k ohm
R1105	119-0000-05	1/10W 0 ohm JW	R1156	119-2711-15	1/10W 270 ohm	R1459	119-0000-05	1/10W 0 ohm JW
R1106	119-7501-15	1/10W 75 ohm	R1157	119-2711-15	1/10W 270 ohm	R1460	119-0000-05	1/10W 0 ohm JW
R1107	119-1011-15	1/10W 100 ohm	R1158	119-1011-15	1/10W 100 ohm	R9001	119-0000-05	1/10W 0 ohm JW
R1108	119-1011-15	1/10W 100 ohm	R1159	119-1021-15	1/10W 1k ohm	S101	013-6102-00	SKHLLF
R1111	119-1831-15	1/10W 18k ohm	R1160	119-0000-05	1/10W 0 ohm JW	SUP401	060-0122-10	DSP-201M-S00B
R1112	119-1031-15	1/10W 10k ohm	R1161	119-0000-05	1/10W 0 ohm JW	TM9001	073-0768-90	TERMINAL
R1113	119-1831-15	1/10W 18k ohm	R1162	119-1001-15	1/10W 10 ohm	TM9002	073-0768-90	TERMINAL
R1114	119-1031-15	1/10W 10k ohm	R1163	119-1011-15	1/10W 100 ohm	VR201	012-6009-58	33k ohm
R1115	119-1831-15	1/10W 18k ohm	R1166	119-1041-15	1/10W 100k ohm	X101	061-1056-00	32.768kHz
R1116	119-1031-15	1/10W 10k ohm	R1167	119-0000-05	1/10W 0 ohm JW	X102	060-1541-90	3.14MHz
R1117	119-1831-15	1/10W 18k ohm	R1168	119-0000-05	1/10W 0 ohm JW	X103	060-0100-51	BUZZER
R1118	119-1031-15	1/10W 10k ohm	R1169	119-1031-15	1/10W 10k ohm	X401	061-3537-90	41.6MHz
R1119	119-8231-15	1/10W 82k ohm	R1170	119-1031-15	1/10W 10k ohm	PWB	039-2520-00	PWB(WITHOUT COMPONENT)
R1120	119-1041-15	1/10W 100k ohm	R1171	119-1021-15	1/10W 1k ohm			
R1121	119-8231-15	1/10W 82k ohm	R1343	119-1031-15	1/10W 10k ohm			

Sub PWB(B2) section

REF No.	PART No.	DESCRIPTION	REF No.	PART No.	DESCRIPTION	REF No.	PART No.	DESCRIPTION
C501	189-1073-32	16V100uF	C574	166-3096-50	3pF CJ	L554	010-3057-90	100uH
C502	043-0296-50	0.1uF	C575	043-0510-51	25V10uF	L555	010-3406-74	100uH
C503	043-0296-50	0.1uF	C576	042-0643-56	16V470uF M	L556	010-3406-74	100uH
C504	168-1022-55	1000pF	C577	178-1052-78	1uF	L557	010-3406-74	100uH
C505	042-0592-58	16V10uF	C578	168-1042-78	16V 0.1uF	L558	010-3406-74	100uH
C506	163-4763-15	6.3V47uF	C579	168-1042-78	16V 0.1uF	L576	010-3404-53	33uH
C507	042-0592-58	16V10uF	C580	168-4732-78	0.047uF	L579	010-3041-90	10uH
C508	168-1042-78	16V 0.1uF	C581	166-1021-50	1000pF CH	Q501	125-2004-92	RN1402
C509	163-1073-35	16V100uF	C582	168-1042-78	16V 0.1uF	Q552	192-2873-00	2SC2873
C510	163-4763-15	6.3V47uF	C583	168-1022-55	1000pF	Q575	125-2004-93	RN1403
C513	163-4763-35	16V47uF	C584	166-1511-50	150pF CH	Q576	190-1162-00	2SA1162
C514	178-1052-78	1uF	C585	168-1042-78	16V 0.1uF	Q577	125-2004-93	RN1403
C515	178-1052-78	1uF	C586	168-2232-55	0.022uF	R501	119-4711-15	1/10W 470 ohm
C516	178-1052-78	1uF	C587	042-0643-52	6.3V1000uF	R502	119-0000-05	1/10W 0 ohm JW
C517	178-1052-78	1uF	C588	178-1052-78	1uF	R503	119-2231-15	1/10W 22k ohm
C518	178-1052-78	1uF	C589	178-1052-78	1uF	R504	119-2231-15	1/10W 22k ohm
C519	178-1052-78	1uF	C590	042-0643-52	6.3V1000uF	R506	119-3901-15	1/10W 39 ohm
C520	178-1052-78	1uF	D501	001-0529-32	MA8056-M	R515	119-7501-15	1/10W 75 ohm
C521	178-1052-78	1uF	D502	001-0529-42	MA8075-H	R516	119-7501-15	1/10W 75 ohm
C522	178-1052-78	1uF	D503	001-0367-91	1SS226	R517	119-7501-15	1/10W 75 ohm
C523	042-0643-51	16V100uF	D504	001-0367-91	1SS226	R518	119-7501-15	1/10W 75 ohm
C524	168-1045-56	0.1uF	D505	001-0367-91	1SS226	R519	119-4731-15	1/10W 47k ohm
C525	178-1052-78	1uF	D506	001-0367-91	1SS226	R520	119-7501-15	1/10W 75 ohm
C526	168-1032-55	0.01uF	D552	001-0516-90	MA111	R542	119-2221-15	1/10W 2.2k ohm
C527	168-1032-55	0.01uF	D553	001-0516-90	MA111	R543	119-2221-15	1/10W 2.2k ohm
C528	189-1083-12	6.3V1000uF	D554	001-2606-90	M1FS4	R545	119-4721-15	1/10W 4.7k ohm
C531	042-0643-51	16V100uF	D555	001-0516-90	MA111	R546	119-1031-15	1/10W 10k ohm
C551	042-0643-50	35V22uF	D556	001-0516-90	MA111	R547	119-1031-15	1/10W 10k ohm
C552	042-0630-50	16V100uF	D575	001-0608-90	D1FS4	R548	119-1011-15	1/10W 100 ohm
C553	163-3373-15	6.3V330uF	D576	001-0507-90	DAP202K	R555	119-1001-15	1/10W 10 ohm
C554	163-1073-35	16V100uF	IC501	051-1014-00	TA7291P	R556	119-1841-15	1/10W 180k ohm
C555	163-3363-45	25V33uF	IC502	051-1014-00	TA7291P	R557	119-6841-15	1/10W 680k ohm
C556	168-1042-78	16V 0.1uF	IC504	051-5336-90	MM1227	R558	119-3931-15	1/10W 39k ohm
C557	042-0643-51	16V100uF	IC505	051-5336-90	MM1227	R559	119-3311-15	1/10W 330 ohm
C558	042-0560-58	16V10uF	IC506	051-5336-90	MM1227	R560	119-6841-15	1/10W 680k ohm
C559	042-0643-55	35V 4.7uF	IC507	051-5336-90	MM1227	R561	119-2231-15	1/10W 22k ohm
C560	168-1022-55	1000pF	IC509	051-5326-90	TK15420MTL	R562	119-2221-15	1/10W 2.2k ohm
C561	168-2222-55	2200pF	IC552	051-3913-90	NJM2368E	R575	119-1031-15	1/10W 10k ohm
C562	042-0643-50	35V22uF	IC575	051-3921-90	MD1423N	R576	119-1031-15	1/10W 10k ohm
C563	042-0630-50	16V100uF	J501	074-2001-82	32P	R577	119-1031-15	1/10W 10k ohm
C564	042-0630-50	16V100uF	J502	074-2001-62	12P	R578	119-5631-15	1/10W 56k ohm
C565	042-0643-50	35V22uF	J551	074-0881-17	SOCKET(17P)	R579	119-1051-15	1/10W 1M ohm
C566	042-0643-50	35V22uF	L502	010-3406-66	22uH	R580	119-1041-15	1/10W 100k ohm
C567	042-0643-50	35V22uF	L553	010-3057-90	100uH	R581	119-1031-15	1/10W 10k ohm

REF No.	PART No.	DESCRIPTION	REF No.	PART No.	DESCRIPTION	REF No.	PART No.	DESCRIPTION
R582	119-3301-15	1/10W 33 ohm	R588	032-0140-85	1/10W 2.4k ohm F	T551	007-1168-90	TR11-A-S
R583	119-1001-15	1/10W 10 ohm	R589	032-0164-50	0.1ohm F	VR551	012-6009-52	1k ohm
R584	032-0140-53	1/10W 2.2k ohm F	R590	032-0164-50	0.1ohm F	PWB	039-2513-00	PWB(WITHOUT COMPONENT)
R585	032-0164-50	0.1ohm F	R591	032-0164-50	0.1ohm F			
R586	032-0164-50	0.1ohm F	R592	032-0164-50	0.1ohm F			
R587	119-1031-15	1/10W 10k ohm	R598	119-0000-05	1/10W 0 ohm JW			

### LCD PWB(B3) section

REF No.	PART No.	DESCRIPTION	REF No.	PART No.	DESCRIPTION	REF No.	PART No.	DESCRIPTION
C701	043-0296-50	0.1uF	C850	166-2096-50	2pF CK	C972	168-1032-55	0.01uF
C702	043-0296-50	0.1uF	C851	168-1045-56	0.1uF	C973	168-4732-78	0.047uF
C703	168-1042-78	16V 0.1uF	C852	042-0416-54	16V10uF M TAN	C974	166-2211-50	220pF CH
C704	042-0416-57	10V47uF M TAN	C853	168-1032-55	0.01uF	C975	168-4732-78	0.047uF
C705	168-1042-78	16V 0.1uF	C854	042-0416-54	16V10uF M TAN	C976	043-0510-50	16V 22uF
C706	042-0416-57	10V47uF M TAN	C855	178-1055-79	1uF	C977	168-1042-78	16V 0.1uF
C707	168-4712-55	470pF	C856	178-1055-79	1uF	C978	168-2732-55	16V 0.027uF
C708	168-1042-78	16V 0.1uF	C857	168-1032-55	0.01uF	C979	177-2252-78	16V2.2uF
C709	168-1042-78	16V 0.1uF	C858	042-0416-54	16V10uF M TAN	C980	043-0531-93	22pF 3KV
C710	168-1022-55	1000pF	C859	178-1055-79	1uF	CCT701	050-0140-58	1/32W 470 ohm x4J
C711	168-1022-55	1000pF	C901	168-1032-55	0.01uF	CCT703	050-0140-57	1/32W 10k ohm x4J
C712	168-1022-55	1000pF	C902	042-0416-52	10V10uF M TAN	CCT704	050-0140-63	1/32W 47k ohm x4J
C713	168-1022-55	1000pF	C903	168-1045-56	0.1uF	CCT706	050-0140-54	1/32W 1k ohm x4J
C714	168-1045-56	0.1uF	C904	166-1007-50	10pF CH	CCT707	050-0140-67	1/32W 220 ohm x4J
C715	168-1042-78	16V 0.1uF	C905	166-4711-50	470pF CH	CCT801	050-0140-58	1/32W 470 ohm x4J
C716	042-0416-57	10V47uF M TAN	C906	168-1045-56	0.1uF	CCT802	050-0140-52	1/32W 100 ohm x4J
C801	178-1055-79	1uF	C907	168-1045-56	0.1uF	CCT901	050-0140-58	1/32W 470 ohm x4J
C802	178-1055-79	1uF	C908	168-1045-56	0.1uF	CCT902	050-0140-52	1/32W 100 ohm x4J
C803	178-1055-79	1uF	C909	168-6832-78	0.068uF	CCT903	050-0140-52	1/32W 100 ohm x4J
C804	178-1055-79	1uF	C910	168-1032-55	0.01uF	D701	001-0367-91	1SS226
C805	168-1045-56	0.1uF	C911	168-1032-55	0.01uF	D702	001-0367-91	1SS226
C806	168-1045-56	0.1uF	C912	168-1032-55	0.01uF	D703	001-0367-91	1SS226
C807	042-0636-50	6.3V100uF	C913	168-1032-55	0.01uF	D704	001-0367-91	1SS226
C808	178-1055-79	1uF	C914	168-1032-55	0.01uF	D941	001-4301-29	HZU 5.1B2
C809	166-5601-50	56pF CH	C915	168-1045-56	0.1uF	D943	001-0516-90	MA111
C810	168-2232-55	0.022uF	C916	042-0416-57	10V47uF M TAN	D944	001-4301-29	HZU 5.1B2
C811	178-1055-79	1uF	C917	168-1032-55	0.01uF	D945	001-3218-90	1SV231
C812	178-1055-79	1uF	C918	168-1032-55	0.01uF	D961	001-0529-29	MA8051-M
C813	042-0416-52	10V10uF M TAN	C919	168-1032-55	0.01uF	D962	001-0584-20	MA8056
C814	042-0397-55	6.3V3.3uF TAN	C920	166-1801-50	18pF CH	D963	001-0584-20	MA8056
C815	168-1032-55	0.01uF	C921	168-1032-55	0.01uF	D964	001-0541-90	MA157
C816	168-1032-55	0.01uF	C922	168-1032-55	0.01uF	D965	001-0541-90	MA157
C817	168-1032-55	0.01uF	C923	168-1045-56	0.1uF	F701	060-8023-52	0.75A
C818	168-1032-55	0.01uF	C924	168-1045-56	0.1uF	FIL901	060-3118-50	FK2125T25
C819	168-1032-55	0.01uF	C925	042-0416-57	10V47uF M TAN	IC701	052-7066-01	M30102M2-561FP
C820	168-1032-55	0.01uF	C926	042-0416-57	10V47uF M TAN	IC801	051-7256-08	SN74AHCT1G32DCKR
C821	042-0416-57	10V47uF M TAN	C927	178-2242-78	0.22uF	IC802	051-5313-10	IR3Y29BM
C822	043-0504-50	10V4.7uF	C928	178-2242-78	0.22uF	IC803	051-7269-08	SN74AHC2G53HDCTR
C823	166-1201-50	12pF CH	C929	168-1045-56	0.1uF	IC804	051-1292-90	NJM4565M-D
C824	168-8212-55	820pF	C930	168-1045-56	0.1uF	IC901	051-7243-48	SN74AHCT1G08DCKR
C825	166-2201-50	22pF CH	C931	042-0416-57	10V47uF M TAN	IC902	051-1964-18	TC7S14FU
C826	168-6812-55	680pF	C932	042-0416-57	10V47uF M TAN	IC903	051-1964-18	TC7S14FU
C827	166-5601-50	56pF CH	C941	168-1045-56	0.1uF	IC904	051-6443-00	TC200G02AF-0104Z
C828	168-1032-55	0.01uF	C942	168-1045-56	0.1uF	IC941	051-3025-90	NJM2107F
C829	168-1045-56	0.1uF	C943	168-1042-78	16V 0.1uF	IC961	051-3919-90	OZ960IS
C830	168-1032-55	0.01uF	C944	166-6811-50	680pF	J701	074-1189-85	35P
C831	168-4732-78	0.047uF	C945	168-1045-56	0.1uF	J702	074-2001-70	20P
C832	168-1032-55	0.01uF	C946	168-1045-56	0.1uF	J703	074-2001-64	14P
C833	168-1032-55	0.01uF	C947	168-1022-55	1000pF	J801	074-2001-95	45P
C834	168-1032-55	0.01uF	C948	166-1011-50	100pF CH	J901	074-2001-95	45P
C835	166-8201-50	82pF CH	C949	166-4701-50	47pF CH	J902	074-1138-54	4P
C836	168-1032-55	0.01uF	C950	166-2096-50	2pF CK	J903	074-2001-80	30P
C837	178-1052-78	1uF	C951	168-1045-56	0.1uF	L701	010-2279-50	4.7uH
C838	168-1032-55	0.01uF	C961	042-0636-51	16V 47uF	L801	010-3407-66	NLV32 22uH
C839	168-1032-55	0.01uF	C962	168-1045-56	0.1uF	L802	010-3407-71	56uH
C840	178-1055-79	1uF	C963	042-0636-51	16V 47uF	L803	010-3200-90	T621B
C841	178-1052-78	1uF	C964	168-1045-56	0.1uF	L901	010-3407-68	NLV32 33uH
C842	178-1052-78	1uF	C965	042-0416-57	10V47uF M TAN	L902	010-3407-62	NLV32 10uH
C843	168-1032-55	0.01uF	C966	168-1032-55	0.01uF	L903	010-3407-62	NLV32 10uH
C844	042-0416-57	10V47uF M TAN	C967	178-1052-78	1uF	L904	010-3407-62	NLV32 10uH
C845	178-1052-78	1uF	C968	177-2252-78	16V2.2uF	L941	010-3406-59	5.6uH
C846	042-0397-53	25V0.47uF TAN	C969	178-1052-78	1uF	L961	010-3059-90	ZJYS51R5-2P-G
C847	168-1032-55	0.01uF	C970	168-6822-55	6800pF	P701	076-0478-52	2P
C848	168-1045-56	0.1uF	C971	168-1522-55	1500pF	P961	076-0568-00	2P

REF No.	PART No.	DESCRIPTION	REF No.	PART No.	DESCRIPTION	REF No.	PART No.	DESCRIPTION
Q701	125-2026-94	UN521M	R822	119-1021-15	1/10W 1k ohm	R909	119-1021-15	1/10W 1k ohm
Q702	125-2026-94	UN521M	R823	119-3351-15	1/10W 3.3M ohm	R910	119-1021-15	1/10W 1k ohm
Q703	125-0020-94	UN511M	R824	119-3931-15	1/10W 39k ohm	R911	119-1031-15	1/10W 10k ohm
Q704	125-0020-94	UN511M	R825	119-2731-15	1/10W 27k ohm	R916	119-3301-15	1/10W 33 ohm
Q801	192-3326-00	2SC3326	R826	119-3931-15	1/10W 39k ohm	R917	119-4711-15	1/10W 470 ohm
Q802	125-2026-91	UN5211	R827	119-2731-15	1/10W 27k ohm	R919	119-0000-05	1/10W 0 ohm JW
Q803	192-4116-00	2SC4116	R828	119-3931-15	1/10W 39k ohm	R941	119-4721-15	1/10W 4.7k ohm
Q804	125-2026-91	UN5211	R829	119-2231-15	1/10W 22k ohm	R942	032-0140-55	1/10W 4.7k ohm F
Q805	125-0020-91	UN5111	R830	119-1051-15	1/10W 1M ohm	R943	032-0140-79	1/10W 2.7K ohm F
Q806	125-2026-91	UN5211	R831	119-6821-15	1/10W 6.8k ohm	R944	119-4731-15	1/10W 47k ohm
Q807	190-1738-00	2SA1738	R832	119-3311-15	1/10W 330 ohm	R945	119-6831-15	1/10W 68k ohm
Q808	192-3265-00	2SC3265OY	R833	119-4731-15	1/10W 47k ohm	R946	119-1531-15	1/10W 15k ohm
Q809	190-1298-00	2SA1298	R834	119-1831-15	1/10W 18k ohm	R947	119-1051-15	1/10W 1M ohm
Q810	190-1298-00	2SA1298	R835	119-5621-15	1/10W 5.6k ohm	R948	119-6831-15	1/10W 68k ohm
Q811	192-3265-00	2SC3265OY	R836	119-1521-15	1/10W 1.5k ohm	R949	119-3621-15	1/10W 3.6k ohm
Q901	125-2026-90	UN521L	R837	032-0140-89	1/10W 47k ohm F	R950	119-3031-15	1/10W 30k ohm
Q902	125-2026-90	UN521L	R838	032-0140-99	1/10W 39k ohm F	R951	119-1531-15	1/10W 15k ohm
Q903	125-2026-91	UN5211	R839	032-0140-89	1/10W 47k ohm F	R952	119-1821-15	1/10W 1.8k ohm
Q941	192-4118-00	2SC4118	R840	032-0140-52	1/10W 33k ohm F	R953	119-3321-15	1/10W 3.3k ohm
Q961	191-1218-00	2SB1218A	R842	119-6811-15	1/10W 680 ohm	R954	119-1011-15	1/10W 100 ohm
Q962	125-9020-90	SI5504DC	R843	119-1011-15	1/10W 100 ohm	R955	119-3311-15	1/10W 330 ohm
Q963	125-9020-90	SI5504DC	R844	119-5621-15	1/10W 5.6k ohm	R961	119-5631-15	1/10W 56k ohm
R701	119-2231-15	1/10W 22k ohm	R845	119-2221-15	1/10W 2.2k ohm	R962	116-8211-15	1/4W 820 ohm
R702	119-2231-15	1/10W 22k ohm	R846	119-1011-15	1/10W 100 ohm	R963	116-8211-15	1/4W 820 ohm
R704	119-5121-15	1/10W 5.1k ohm	R847	119-1011-15	1/10W 100 ohm	R964	119-1021-15	1/10W 1k ohm
R705	119-4711-15	1/10W 470 ohm	R848	119-8221-15	1/10W 8.2k ohm	R965	119-1021-15	1/10W 1k ohm
R706	119-4711-15	1/10W 470 ohm	R849	119-4731-15	1/10W 47k ohm	R966	119-1021-15	1/10W 1k ohm
R707	119-6811-15	1/10W 680 ohm	R850	119-1031-15	1/10W 10k ohm	R967	119-1021-15	1/10W 1k ohm
R709	119-1051-15	1/10W 1M ohm	R851	119-1011-15	1/10W 100 ohm	R968	119-2431-15	1/10W 24k ohm
R710	119-3321-15	1/10W 3.3k ohm	R852	032-0140-50	1/10W 10k ohm F	R969	119-0000-05	1/10W 0 ohm JW
R711	119-4731-15	1/10W 47k ohm	R853	119-2231-15	1/10W 22k ohm	R970	119-1031-15	1/10W 10k ohm
R712	119-2211-15	1/10W 220 ohm	R854	032-0140-79	1/10W 2.7K ohm F	R971	119-3931-15	1/10W 39k ohm
R713	119-2211-15	1/10W 220 ohm	R855	119-2221-15	1/10W 2.2k ohm	R972	119-2741-15	1/10W 270k ohm
R801	119-4721-15	1/10W 4.7k ohm	R856	119-4731-15	1/10W 47k ohm	R973	119-5131-15	1/10W 51k ohm
R802	119-1021-15	1/10W 1k ohm	R857	032-0140-50	1/10W 10k ohm F	R974	119-5151-15	5.1M ohm
R803	119-4711-15	1/10W 470 ohm	R858	119-1031-15	1/10W 10k ohm	R975	032-0140-58	1/10W 51k ohm F
R804	119-2211-15	1/10W 220 ohm	R859	119-6821-15	1/10W 6.8k ohm	R976	119-1031-15	1/10W 10k ohm
R805	119-1021-15	1/10W 1k ohm	R860	119-9111-15	1/10W 910 ohm	R977	119-1031-15	1/10W 10k ohm
R806	032-0140-99	1/10W 39k ohm F	R861	119-5621-15	1/10W 5.6k ohm	R978	119-4711-15	1/10W 470 ohm
R807	119-2221-15	1/10W 2.2k ohm	R862	119-5621-15	1/10W 5.6k ohm	R979	119-8221-15	1/10W 8.2k ohm
R808	032-0140-54	1/10W 22k ohm F	R863	119-6821-15	1/10W 6.8k ohm	VR801	012-6009-58	33k ohm
R809	032-0140-89	1/10W 47k ohm F	R864	119-1831-15	1/10W 18k ohm	VR802	012-6009-58	33k ohm
R810	119-2231-15	1/10W 22k ohm	R865	119-1011-15	1/10W 100 ohm	VR803	012-6009-58	33k ohm
R811	119-3341-15	1/10W 330k ohm	R866	119-1231-15	1/10W 12k ohm	VR804	012-6009-57	22KB VR
R812	119-5621-15	1/10W 5.6k ohm	R867	119-4321-15	1/10W 4.3k ohm	VR805	012-6009-58	33k ohm
R813	119-2231-15	1/10W 22k ohm	R868	119-0000-05	1/10W 0 ohm JW	VR806	012-6009-57	22KB VR
R814	119-2231-15	1/10W 22k ohm	R901	119-1021-15	1/10W 1k ohm	VR807	012-6009-53	2.2KB VR
R815	119-2431-15	1/10W 24k ohm	R902	032-0140-75	1/10W 1.5k ohm F	VR941	012-6009-56	10k ohm
R816	119-2731-15	1/10W 27k ohm	R903	119-0000-05	1/10W 0 ohm JW	X701	060-1531-90	4.91MHz
R817	032-0140-80	1/10W 18k ohm F	R904	119-1011-15	1/10W 100 ohm	X801	061-3520-95	3.57945MHz
R818	119-3341-15	1/10W 330k ohm	R905	119-6811-15	1/10W 680 ohm	X802	061-3524-90	4.433618MHz
R819	119-1521-15	1/10W 1.5k ohm	R906	119-1011-15	1/10W 100 ohm	PWB	039-2510-00	PWB(WITHOUT COMPONENT)
R820	119-5611-15	1/10W 560 ohm	R907	119-1011-15	1/10W 100 ohm			
R821	119-5641-15	1/10W 560k ohm	R908	119-1021-15	1/10W 1k ohm			

Switch PWB(B4) section

REF No.	PART No.	DESCRIPTION	REF No.	PART No.	DESCRIPTION	REF No.	PART No.	DESCRIPTION
C611	168-4732-78	0.047uF	D611	001-0529-35	MA8062-M	R605	119-1521-15	1/10W 1.5k ohm
C612	168-4732-78	0.047uF	D612	001-0529-35	MA8062-M	R606	119-1521-15	1/10W 1.5k ohm
C613	168-4732-78	0.047uF	D613	001-0529-35	MA8062-M	R607	119-1821-15	1/10W 1.8k ohm
C614	168-8212-55	820pF	D614	001-0529-35	MA8062-M	R608	119-1821-15	1/10W 1.8k ohm
C631	178-1055-79	1uF	IC601	051-6013-00	LC75854W	R609	119-1821-15	1/10W 1.8k ohm
D601	001-0516-90	MA111	IR601	060-4008-00	RS171	R610	119-1521-15	1/10W 1.5k ohm
D602	001-0516-90	MA111	P601	076-0647-00	16P	R611	119-1521-15	1/10W 1.5k ohm
D603	001-7040-90	NSCB100	Q601	125-2017-97	RN1427	R612	119-1521-15	1/10W 1.5k ohm
D604	001-7040-90	NSCB100	Q602	125-2017-97	RN1427	R613	119-1521-15	1/10W 1.5k ohm
D605	001-7055-90	NSCWS405T	Q603	125-2004-96	RN1406	R614	119-1521-15	1/10W 1.5k ohm
D606	001-7055-90	NSCWS405T	Q604	125-2004-96	RN1406	R615	119-1521-15	1/10W 1.5k ohm
D607	001-0529-35	MA8062-M	R601	119-1521-15	1/10W 1.5k ohm	R616	119-1821-15	1/10W 1.8k ohm
D608	001-0529-35	MA8062-M	R602	119-1521-15	1/10W 1.5k ohm	R617	119-1821-15	1/10W 1.8k ohm
D609	001-0529-35	MA8062-M	R603	119-1521-15	1/10W 1.5k ohm	R618	119-1821-15	1/10W 1.8k ohm
D610	001-0529-35	MA8062-M	R604	119-1521-15	1/10W 1.5k ohm	R619	119-1821-15	1/10W 1.8k ohm

VRX745VD  
VRX746

REF No.	PART No.	DESCRIPTION	REF No.	PART No.	DESCRIPTION	REF No.	PART No.	DESCRIPTION
R620	119-1821-15	1/10W 1.8k ohm	R635	119-1011-15	1/10W 100 ohm	S608	013-6507-50	LS8J2M-T
R621	119-1821-15	1/10W 1.8k ohm	R641	119-8231-15	1/10W 82k ohm	S609	013-6519-50	LS9J2M-2SR/FG
R622	119-7501-15	1/10W 75 ohm	R642	119-1031-15	1/10W 10k ohm	S610	013-6519-50	LS9J2M-2SR/FG
R623	119-7501-15	1/10W 75 ohm	R643	119-1011-15	1/10W 100 ohm	S611	013-6519-50	LS9J2M-2SR/FG
R625	119-1011-15	1/10W 100 ohm	R644	119-1011-15	1/10W 100 ohm	S612	013-6507-50	LS8J2M-T
R626	119-1011-15	1/10W 100 ohm	R646	119-1011-15	1/10W 100 ohm	S613	013-6519-50	LS9J2M-2SR/FG
R627	119-1011-15	1/10W 100 ohm	R647	119-1011-15	1/10W 100 ohm	S614	013-6519-50	LS9J2M-2SR/FG
R628	119-1011-15	1/10W 100 ohm	S601	013-6519-50	LS9J2M-2SR/FG	S615	013-6519-50	LS9J2M-2SR/FG
R629	119-1011-15	1/10W 100 ohm	S602	013-6519-50	LS9J2M-2SR/FG	S616	013-6511-50	LS9J2M-1SR
R630	119-0000-05	1/10W 0 ohm JW	S603	013-6519-50	LS9J2M-2SR/FG	S618	013-6519-50	LS9J2M-2SR/FG
R631	119-4701-15	1/10W 47 ohm	S604	013-6507-50	LS8J2M-T	S619	013-6511-50	LS9J2M-1SR
R632	119-2221-15	1/10W 2.2k ohm	S605	013-6519-50	LS9J2M-2SR/FG	S620	013-6507-50	LS8J2M-T
R633	119-1011-15	1/10W 100 ohm	S606	013-6519-50	LS9J2M-2SR/FG	PWB	039-2522-00	PWB(WITHOUT COMPONENT)
R634	119-1011-15	1/10W 100 ohm	S607	013-6519-50	LS9J2M-2SR/FG			

Servo PWB(B5) section

REF No.	PART No.	DESCRIPTION	REF No.	PART No.	DESCRIPTION	REF No.	PART No.	DESCRIPTION
C101	658-0237-20	6.3V10uF	C228	658-0237-22	10V0.1uF	C506	658-0237-29	50V0.001uF
C102	658-0237-21	6.3V47uF Tan	C229	658-0237-29	50V0.001uF	C507	658-0237-29	50V0.001uF
C103	658-0237-22	10V0.1uF	C230	658-0237-34	50V0.0056uF	C508	658-0237-29	50V0.001uF
C104	658-0237-22	10V0.1uF	C231	658-0237-29	50V0.001uF	C509	658-0237-20	6.3V10uF
C105	658-0237-22	10V0.1uF	C232	658-0237-29	50V0.001uF	C510	658-0237-29	50V0.001uF
C106	658-0237-23	6.3V1uF	C233	658-0237-29	50V0.001uF	C511	658-0237-29	50V0.001uF
C107	658-0237-23	6.3V1uF	C234	658-0237-35	50V0.0022uF	C512	658-0237-29	50V0.001uF
C108	658-0237-23	6.3V1uF	C235	658-0237-36	50V470pF	C513	658-0237-29	50V0.001uF
C109	658-0237-23	6.3V1uF	C236	658-0237-26	50V560pF	C514	658-0237-29	50V0.001uF
C110	658-0237-24	16V0.01uF	C237	658-0237-26	50V560pF	C515	658-0237-29	50V0.001uF
C111	658-0237-22	10V0.1uF	C238	658-0237-20	6.3V10uF	C516	658-0237-29	50V0.001uF
C112	658-0237-25	50V100pF	C239	658-0237-29	50V0.001uF	C517	658-0237-29	50V0.001uF
C113	658-0237-23	6.3V1uF	C240	658-0237-29	50V0.001uF	C518	658-0237-29	50V0.001uF
C114	658-0237-23	6.3V1uF	C241	658-0237-29	50V0.001uF	C519	658-0237-29	50V0.001uF
C115	658-0237-22	10V0.1uF	C242	658-0237-29	50V0.001uF	C520	658-0237-29	50V0.001uF
C116	658-0237-26	50V560pF	C243	658-0237-29	50V0.001uF	C521	658-0237-29	50V0.001uF
C117	658-0237-26	50V560pF	C244	658-0237-29	50V0.001uF	C522	658-0237-29	50V0.001uF
C118	658-0237-27	16V0.047uF	C245	658-0237-23	6.3V1uF	C524	658-0237-29	50V0.001uF
C119	658-0237-28	25V0.027uF	C246	658-0237-22	10V0.1uF	C525	658-0237-23	6.3V1uF
C120	658-0237-23	6.3V1uF	C247	658-0237-23	6.3V1uF	C526	658-0237-23	6.3V1uF
C121	658-0237-26	50V560pF	C248	658-0237-23	6.3V1uF	C527	658-0237-29	50V0.001uF
C122	658-0237-22	10V0.1uF	C249	658-0237-23	6.3V1uF	C529	658-0237-20	6.3V10uF
C123	658-0237-29	50V0.001uF	C250	658-0237-25	50V100pF	C530	658-0237-29	50V0.001uF
C124	658-0237-30	50V6pF	C301	658-0237-29	50V0.001uF	C531	658-0237-29	50V0.001uF
C125	658-0237-23	6.3V1uF	C302	658-0237-29	50V0.001uF	C532	658-0237-29	50V0.001uF
C126	658-0237-23	6.3V1uF	C303	658-0237-29	50V0.001uF	C533	658-0237-22	10V0.1uF
C127	658-0237-23	6.3V1uF	C304	658-0237-29	50V0.001uF	C534	658-0237-29	50V0.001uF
C128	658-0237-20	6.3V10uF	C305	658-0237-29	50V0.001uF	C535	658-0237-23	6.3V1uF
C129	658-0237-21	6.3V47uF Tan	C306	658-0237-29	50V0.001uF	C536	658-0237-22	10V0.1uF
C130	658-0237-22	10V0.1uF	C307	658-0237-25	50V100pF	C537	658-0237-29	50V0.001uF
C201	658-0237-29	50V0.001uF	C308	658-0237-29	50V0.001uF	C538	658-0237-23	6.3V1uF
C202	658-0237-29	50V0.001uF	C309	658-0237-23	6.3V1uF	C539	658-0237-20	6.3V10uF
C203	658-0237-29	50V0.001uF	C310	658-0237-23	6.3V1uF	C540	658-0237-29	50V0.001uF
C204	658-0237-29	50V0.001uF	C311	658-0237-23	6.3V1uF	C541	658-0237-29	50V0.001uF
C205	658-0237-29	50V0.001uF	C312	658-0237-23	6.3V1uF	C542	658-0237-29	50V0.001uF
C206	658-0237-20	6.3V10uF	C313	658-0237-23	6.3V1uF	C543	658-0237-29	50V0.001uF
C207	658-0237-29	50V0.001uF	C314	658-0237-23	6.3V1uF	C544	658-0237-23	6.3V1uF
C208	658-0237-29	50V0.001uF	C315	658-0237-25	50V100pF	C545	658-0237-23	6.3V1uF
C209	658-0237-24	16V0.01uF	C401	658-0237-37	16V1uF	C546	658-0237-29	50V0.001uF
C210	658-0237-24	16V0.01uF	C402	658-0237-20	6.3V10uF	C547	658-0237-29	50V0.001uF
C211	658-0237-31	50V12pF	C403	658-0237-22	10V0.1uF	C548	658-0237-29	50V0.001uF
C212	658-0237-31	50V12pF	C404	658-0237-22	10V0.1uF	C549	658-0237-29	50V0.001uF
C213	658-0237-29	50V0.001uF	C405	658-0237-22	10V0.1uF	C550	658-0237-29	50V0.001uF
C214	658-0237-29	50V0.001uF	C406	658-0237-22	10V0.1uF	C551	658-0237-29	50V0.001uF
C215	658-0237-22	10V0.1uF	C407	658-0237-22	10V0.1uF	C552	658-0237-29	50V0.001uF
C216	658-0237-22	10V0.1uF	C408	658-0237-20	6.3V10uF	C553	658-0237-29	50V0.001uF
C217	658-0237-24	16V0.01uF	C409	658-0237-23	6.3V1uF	C554	658-0237-20	6.3V10uF
C218	658-0237-22	10V0.1uF	C410	658-0237-22	10V0.1uF	C555	658-0237-29	50V0.001uF
C219	658-0237-22	10V0.1uF	C411	658-0237-22	10V0.1uF	C556	658-0237-22	10V0.1uF
C220	658-0237-22	10V0.1uF	C412	658-0237-22	10V0.1uF	C557	658-0237-29	50V0.001uF
C221	658-0237-22	10V0.1uF	C413	658-0237-22	10V0.1uF	C558	658-0237-22	10V0.1uF
C222	658-0237-24	16V0.01uF	C501	658-0237-20	6.3V10uF	C560	658-0237-29	50V0.001uF
C223	658-0237-20	6.3V10uF	C502	658-0237-23	6.3V1uF	C561	658-0237-22	10V0.1uF
C224	658-0237-32	16V0.022uF	C503	658-0237-23	6.3V1uF	C562	658-0237-29	50V0.001uF
C226	658-0237-33	50V47pF	C504	658-0237-29	50V0.001uF	C563	658-0237-22	10V0.1uF
C227	658-0237-22	10V0.1uF	C505	658-0237-29	50V0.001uF	C565	658-0237-29	50V0.001uF

REF No.	PART No.	DESCRIPTION	REF No.	PART No.	DESCRIPTION	REF No.	PART No.	DESCRIPTION
C566	658-0237-20	6.3V10uF	Q104	658-0237-14	2SB766ATX	R311	033-4731-15	1/16W 47k ohm
C567	658-0237-22	10V0.1uF	Q401	658-0237-17	B3HB00000012	R312	658-0237-56	10k ohm x 4
C568	658-0237-22	10V0.1uF	Q403	658-0237-17	B3HB00000012	R313	033-1011-15	1/16W 100 ohm
C570	658-0237-20	6.3V10uF	Q404	658-0237-18	B1GBGEEA0001	R314	033-3321-15	1/16W 3.3k ohm
C571	658-0237-23	6.3V1uF	Q405	658-0237-15	B1GBCFNN0001	R315	033-3321-15	1/16W 3.3k ohm
C572	658-0237-23	6.3V1uF	R101	658-0237-40	1/2W 20 ohm	R316	033-1031-15	1/16W 10k ohm
C573	658-0237-23	6.3V1uF	R102	033-2291-15	1/16W 2.2 ohm	R317	033-1031-15	1/16W 10k ohm
C574	658-0237-23	6.3V1uF	R103	033-1021-15	1/16W 1k ohm	R318	033-1031-15	1/16W 10k ohm
C601	658-0237-22	10V0.1uF	R105	658-0237-41	1/16W 24k ohm	R319	033-4731-15	1/16W 47k ohm
C602	658-0237-20	6.3V10uF	R106	658-0237-42	1/16W 3.9k ohm	R320	033-4731-15	1/16W 47k ohm
C603	658-0237-20	6.3V10uF	R107	033-1231-15	1/16W 12k ohm	R321	658-0237-59	220 ohm x 4
C604	658-0237-20	6.3V10uF	R108	033-1231-15	1/16W 12k ohm	R322	658-0237-59	220 ohm x 4
C605	658-0237-20	6.3V10uF	R109	658-0237-43	1/16W 18k ohm	R323	658-0237-59	220 ohm x 4
C701	658-0237-23	6.3V1uF	R110	033-2021-15	1/16W 2k ohm	R324	658-0237-59	220 ohm x 4
C702	658-0237-23	6.3V1uF	R111	033-1051-15	1/16W 1M ohm	R325	658-0237-59	220 ohm x 4
C703	658-0237-23	6.3V1uF	R112	033-1051-15	1/16W 1M ohm	R326	033-1021-15	1/16W 1k ohm
C704	658-0237-23	6.3V1uF	R113	033-1221-15	1/16W 1.2k ohm	R327	033-1021-15	1/16W 1k ohm
C705	658-0237-37	16V1uF	R114	033-1051-15	1/16W 1M ohm	R328	033-1021-15	1/16W 1k ohm
CN1	658-0237-46	40P	R115	658-0237-40	1/2W 20 ohm	R329	033-1011-15	1/16W 100 ohm
CN2	658-0237-46	40P	R116	033-2291-15	1/16W 2.2 ohm	R330	033-1021-15	1/16W 1k ohm
CN3	658-0237-47	30P	R117	033-1031-15	1/16W 10k ohm	R331	033-1031-15	1/16W 10k ohm
CN4	658-0237-48	20P	R118	033-1031-15	1/16W 10k ohm	R332	033-1031-15	1/16W 10k ohm
CN5	658-0237-49	2P	R134	658-0237-56	10k ohm x 4	R333	033-0000-05	1/16W 0 ohm
CN6	658-0237-50	4P	R135	658-0237-56	10k ohm x 4	R401	033-5621-15	1/16W 5.6k ohm
D301	658-0237-19	MA721TX	R202	033-1031-15	1/16W 10k ohm	R402	033-1031-15	1/16W 10k ohm
D401	658-0237-19	MA721TX	R203	033-4721-15	1/16W 4.7k ohm	R403	033-6821-15	1/16W 6.8k ohm
IC101	658-0237-01	AN8703FH-V	R204	033-4721-15	1/16W 4.7k ohm	R404	033-5621-15	1/16W 5.6k ohm
IC201	658-0237-02	MNZS28EGAUC	R205	033-2731-15	1/16W 27k ohm	R405	033-4721-15	1/16W 4.7k ohm
IC202	658-0237-03	MN13821JP	R206	033-2731-15	1/16W 27k ohm	R406	033-4721-15	1/16W 4.7k ohm
IC204	658-0237-04	YEAMT7ST08UL	R207	033-1031-15	1/16W 10k ohm	R407	033-4731-15	1/16W 47k ohm
IC301	658-0237-05	MN102H60GAC	R208	033-4731-15	1/16W 47k ohm	R408	658-0239-01	1/8W 1.2 ohm
IC302	658-0237-06	C3BBHC000246	R209	033-1031-15	1/16W 10k ohm	R409	033-1011-15	1/16W 100 ohm
IC303	658-0237-07	C3FBLG000012	R210	033-1051-15	1/16W 1M ohm	R410	033-1011-15	1/16W 100 ohm
IC401	658-0237-08	C0GBY0000012	R211	033-4711-15	1/16W 470 ohm	R411	033-1811-15	1/16W 180 ohm
IC402	658-0237-09	C0GBH0000006	R212	033-3931-15	1/16W 39k ohm	R413	033-1811-15	1/16W 180 ohm
IC501	658-0237-10	MN677534MPUC	R213	033-1021-15	1/16W 1k ohm	R501	033-4701-15	1/16W 47 ohm
IC502	658-0237-11	C3ABPG000102	R214	033-1531-15	1/16W 15k ohm	R502	658-0237-58	82 ohm x 4
IC503	658-0237-12	C1AB00001643	R216	033-1051-15	1/16W 1M ohm	R503	658-0237-58	82 ohm x 4
IC601	658-0237-13	C0FBBK000019	R217	033-1031-15	1/16W 10k ohm	R504	658-0237-58	82 ohm x 4
L101	658-0237-55	COIL	R218	033-5621-15	1/16W 5.6k ohm	R505	658-0237-58	82 ohm x 4
L102	658-0237-55	COIL	R219	033-5621-15	1/16W 5.6k ohm	R506	658-0237-58	82 ohm x 4
L201	658-0237-55	COIL	R220	033-4731-15	1/16W 47k ohm	R507	658-0237-58	82 ohm x 4
L202	658-0237-54	NOISE FILTER	R221	658-0237-57	22 ohm x 4	R508	658-0237-58	82 ohm x 4
L203	658-0237-54	NOISE FILTER	R222	658-0237-57	22 ohm x 4	R509	033-4731-15	1/16W 47k ohm
L204	658-0237-55	COIL	R223	658-0237-57	22 ohm x 4	R510	033-4731-15	1/16W 47k ohm
L301	658-0237-55	COIL	R224	658-0237-57	22 ohm x 4	R511	658-0237-45	1/16W 7.5k ohm
L302	658-0237-55	COIL	R225	033-2201-15	1/16W 22 ohm	R512	033-1521-15	1/16W 1.5k ohm
L303	658-0237-55	COIL	R226	658-0237-56	10k ohm x 4	R513	033-1021-15	1/16W 1k ohm
L501	033-1801-15	1/16W 18 ohm	R227	033-1031-15	1/16W 10k ohm	R514	033-1811-15	1/16W 180 ohm
L502	033-1801-15	1/16W 18 ohm	R228	033-1031-15	1/16W 10k ohm	R515	033-1011-15	1/16W 100 ohm
L503	658-0237-55	COIL	R229	658-0237-58	82 ohm x 4	R517	033-1021-15	1/16W 1k ohm
L506	658-0237-55	COIL	R230	033-8201-15	1/16W 82 ohm	R518	033-1021-15	1/16W 1k ohm
L507	658-0237-55	COIL	R231	033-2201-15	1/16W 22 ohm	R519	033-1021-15	1/16W 1k ohm
L508	658-0237-55	COIL	R232	033-8201-15	1/16W 82 ohm	R520	033-1021-15	1/16W 1k ohm
L509	658-0237-55	COIL	R233	033-0000-05	1/16W 0 ohm	R521	033-1031-15	1/16W 10k ohm
L510	658-0237-55	COIL	R234	033-8201-15	1/16W 82 ohm	R522	658-0237-56	10k ohm x 4
L513	658-0237-55	COIL	R235	033-8201-15	1/16W 82 ohm	R523	658-0237-56	10k ohm x 4
L514	658-0237-55	COIL	R236	033-2231-15	1/16W 22k ohm	R524	033-1031-15	1/16W 10k ohm
L515	658-0237-55	COIL	R237	033-3331-15	1/16W 33k ohm	R525	033-1011-15	1/16W 100 ohm
L518	658-0237-55	COIL	R238	033-1031-15	1/16W 10k ohm	R532	033-4711-15	1/16W 470 ohm
L520	658-0237-55	COIL	R239	033-1031-15	1/16W 10k ohm	R533	033-4711-15	1/16W 470 ohm
L524	658-0237-55	COIL	R240	033-1011-15	1/16W 100 ohm	R601	033-2211-15	1/16W 220 ohm
L525	658-0237-55	COIL	R245	033-1011-15	1/16W 100 ohm	R602	033-2211-15	1/16W 220 ohm
L526	658-0237-55	COIL	R246	033-1011-15	1/16W 100 ohm	R603	033-2731-15	1/16W 27k ohm
L527	658-0237-54	NOISE FILTER	R301	033-4711-15	1/16W 470 ohm	R604	033-2731-15	1/16W 27k ohm
L528	658-0237-54	NOISE FILTER	R302	658-0237-56	10k ohm x 4	R605	033-1031-15	1/16W 10k ohm
L529	658-0237-55	COIL	R303	033-4731-15	1/16W 47k ohm	SW1	658-0237-51	SWITCH
L601	116-1001-10	1/8W 10 ohm	R304	033-1021-15	1/16W 1k ohm	X201	658-0237-52	CRYSTAL OSC
L602	116-1001-10	1/8W 10 ohm	R306	033-1031-15	1/16W 10k ohm	XL501	658-0239-02	CRYSTAL OSC
L603	116-0000-00	1/8W 0 ohm	R307	033-1531-15	1/16W 15k ohm	PWB	-----	PWB(WITHOUT COMPONENT)
Q101	658-0237-14	2SB766ATX	R308	033-1531-15	1/16W 15k ohm			
Q102	658-0237-15	B1GBCFNN0001	R309	033-1531-15	1/16W 15k ohm			
Q103	658-0237-16	B1GDCFNN0001	R310	033-4731-15	1/16W 47k ohm			