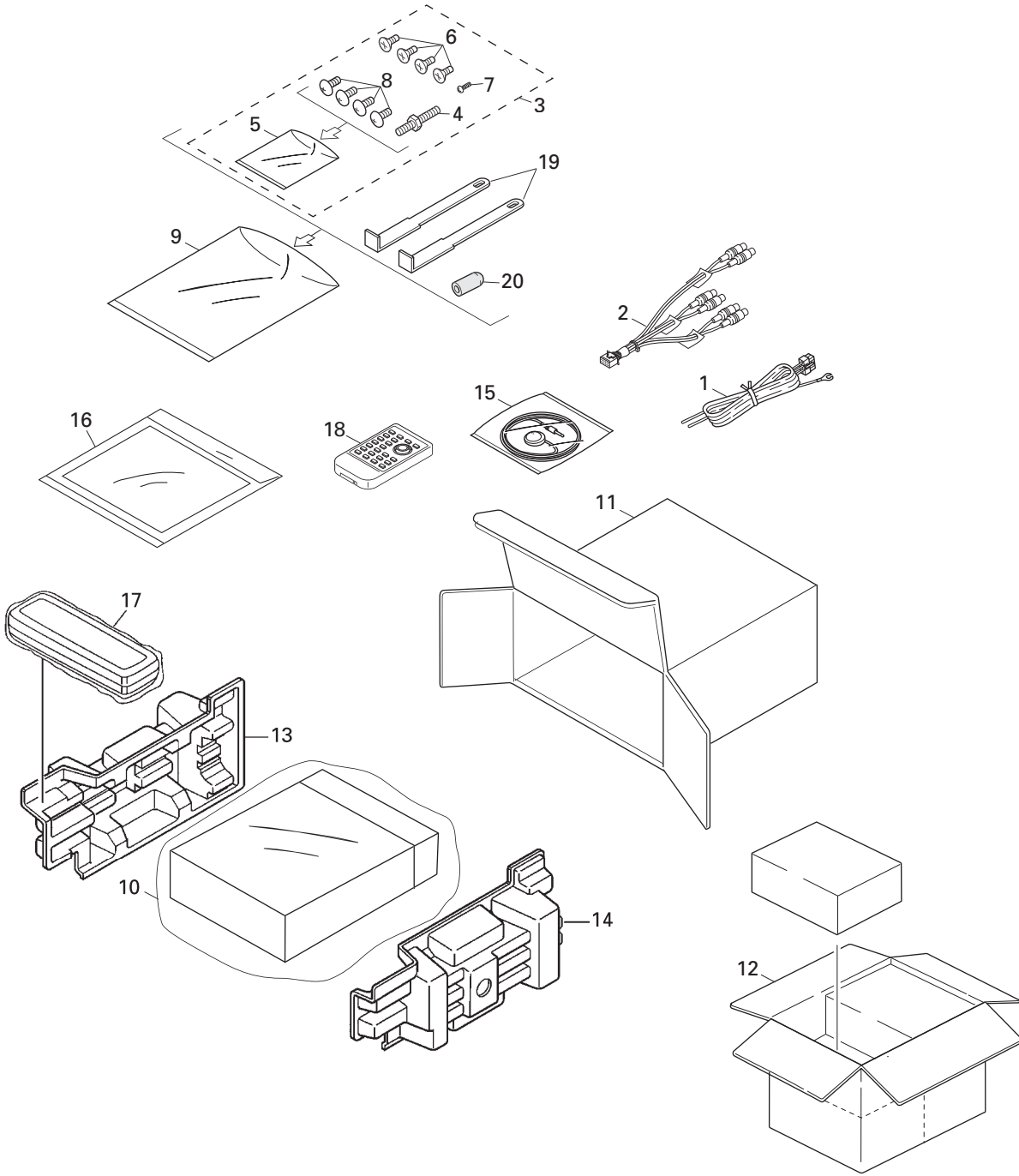


2. EXPLODED VIEWS AND PARTS LIST

NOTES : • Parts marked by " * " are generally unavailable because they are not in our Master Spare Parts List.
• The \triangle mark found on some component parts indicates the importance of the safety factor of the part. Therefore, when replacing, be sure to use parts of identical designation.
• Screw adjacent to ∇ mark on the product are used for disassembly.
• For the applying amount of lubricants or glue, follow the instructions in this manual.
(In the case of no amount instructions, apply as you think it appropriate.)

2.1 PACKING(UC, ES MODEL)



(1) PACKING(UC, ES MODEL) SECTION PARTS LIST

<u>Mark No.</u>	<u>Description</u>	<u>Part No.</u>	<u>Mark No.</u>	<u>Description</u>	<u>Part No.</u>
1	Cord Assy	CDE7701	15	Microphone Assy	CPM1054
2	Cord Assy	CDE8275			
3	Screw Assy	See Contrast table(2)	16-1	Polyethylene Bag	CEG1116
4	Screw	CBA1650	16-2	Owner's Manual	See Contrast table(2)
* 5	Polyethylene Bag	CEG-127	16-3	Owner's Manual	See Contrast table(2)
			16-4	Owner's Manual	See Contrast table(2)
6	Screw	CRZ50P090FTC	16-5	Installation Manual	See Contrast table(2)
7	Screw	See Contrast table(2)			
8	Screw	TRZ50P080FTC	16-6	Caution Card	CRP1310
* 9	Polyethylene Bag	CEG-158	* 16-7	Warranty Card	See Contrast table(2)
10	Polyethylene Bag	See Contrast table(2)	* 16-8	Caution Card	XRP7002
			17	Case Assy	CXB3520
11	Carton	See Contrast table(2)	18	Remote Control Unit	CXC5717
12	Contain Box	See Contrast table(2)			
13	Protector	XHP7007	19	Handle	CNC5395
14	Protector	XHP7008	20	Bush	CNV3930

(2) CONTRAST TABLE

DEH-P880PRS/XN/UC and DEH-P80RS/XN/ES are constructed the same except for the following:

<u>Mark</u>	<u>No.</u>	<u>Description</u>	<u>DEH-P880PRS/XN/UC</u>	<u>DEH-P80RS/XN/ES</u>
	3	Screw Assy	CEA5322	CEA3849
	7	Screw	JPZ20P060FTB	Not used
	10	Polyethylene Bag	CEG1368	CEG1227
	11	Carton	CHG5735	CHG5736
	12	Contain Box	CHL5735	CHL5736
	16-2	Owner's Manual	CRD4080	CRD4082
	16-3	Owner's Manual	Not used	CRD4083
	16-4	Owner's Manual	Not used	CRB2177
	16-5	Installation Manual	CRD4081	CRD4084
*	16-7	Warranty Card	CRY1070	Not used

Owner's Manual,Installation Manual

<u>Part No.</u>	<u>Language</u>
CRD4080	English, French
CRD4081	English, French
CRD4082	English, Spanish
CRD4083	Portuguese(B), Traditional Chinese
CRB2177	Arabic
CRD4084	English, Spanish, Portuguese(B), Traditional Chinese, Arabic

2.2 PACKING(EW5 MODEL)

A

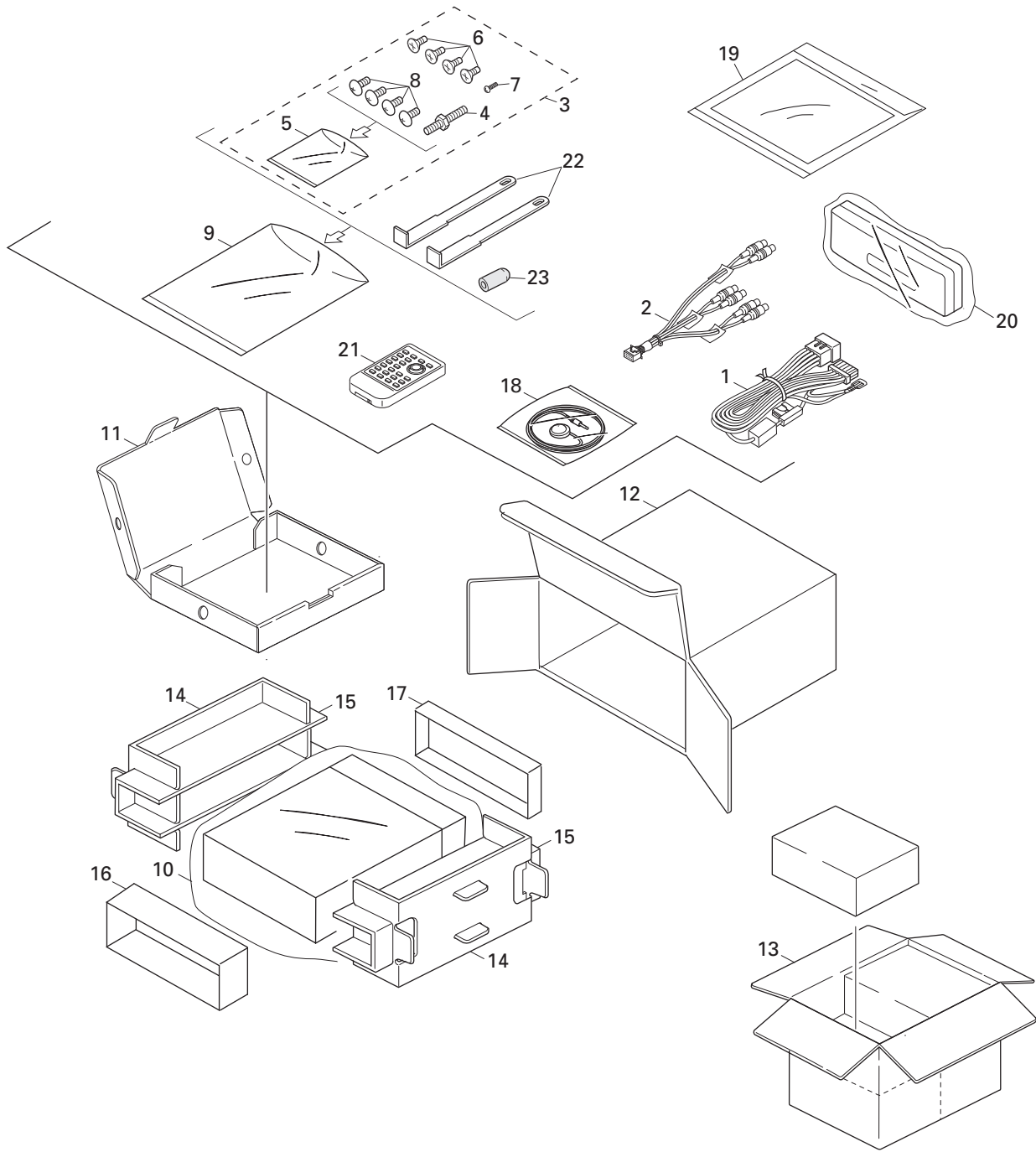
B

C

D

E

F



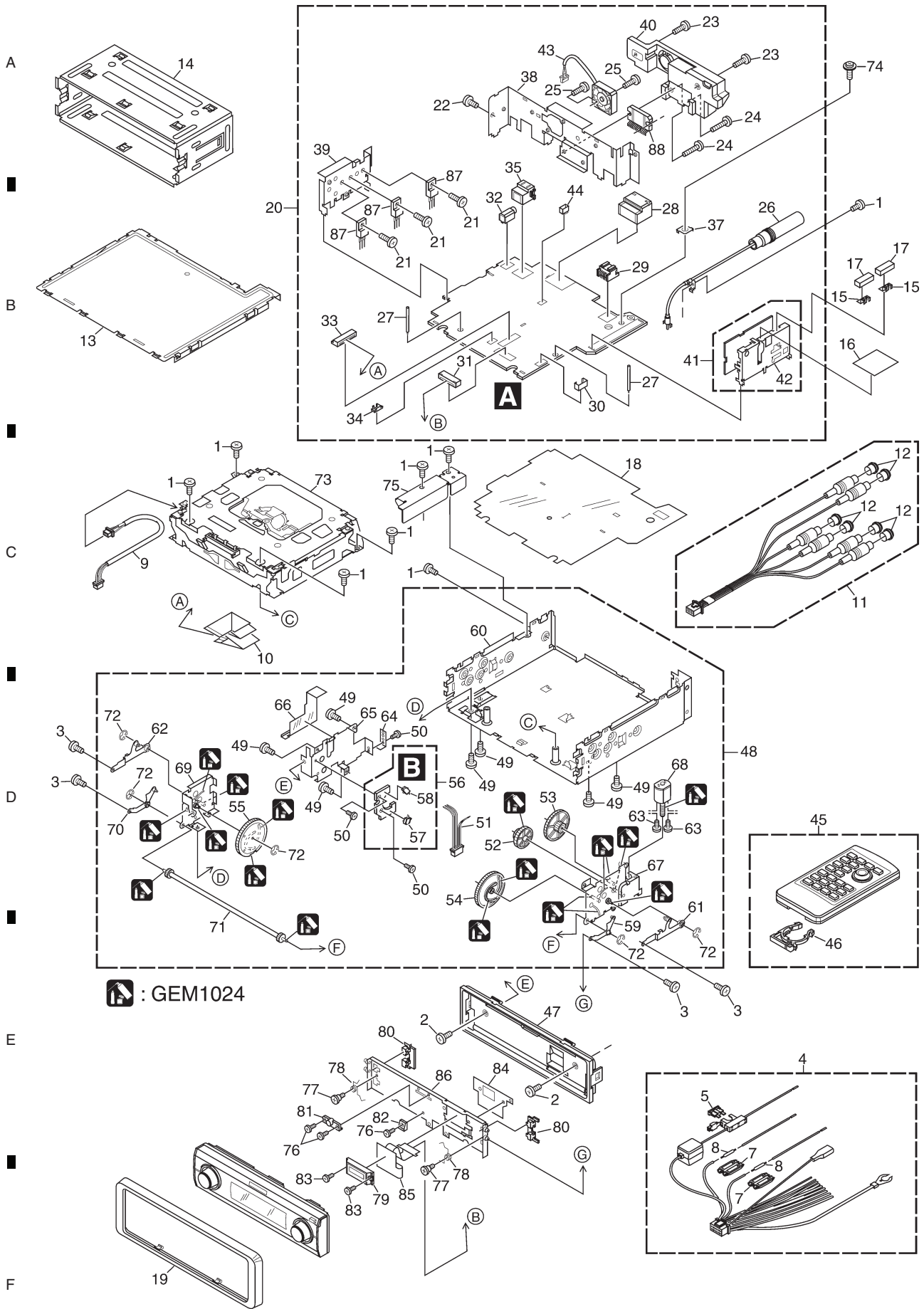
(1)PACKING(EW5 MODEL) SECTION PARTS LIST

<u>Mark No.</u>	<u>Description</u>	<u>Part No.</u>	<u>Mark No.</u>	<u>Description</u>	<u>Part No.</u>
1	Cord Assy	CDE6562	17	Protector	CHP3184
2	Cord Assy	CDE8274	18	Microphone Assy	CPM1054
3	Screw Assy	CEA5322	* 19-1	Polyethylene Bag	E36-634
4	Screw	CBA1650	19-2	Owner's Manual	CRB2176
* 5	Polyethylene Bag	CEG-127	19-3	Owner's Manual	CRD4076
6	Screw	CRZ50P090FTC	19-4	Owner's Manual	CRD4077
7	Screw	JPZ20P060FTB	19-5	Owner's Manual	CRD4078
8	Screw	TRZ50P080FTC	19-6	Installation Manual	CRD4079
* 9	Polyethylene Bag	CEG-158	* 19-7	Caution Card	CRP1335
10	Polyethylene Bag	CEG-162	* 19-8	Passport	CRY1013
11	Sub Carton	CHG5195	* 19-9	Warranty Card	CRY1157
12	Carton	CHG5882	20	Case Assy	CXB3520
13	Contain Box	CHL5882	21	Remote Control Unit	CXC5717
14	Protector	CHP2797	22	Handle	CNC5395
15	Protector	CHP2798	23	Bush	CNV3930
16	Protector	CHP2812			

Owner's Manual,Installation Manual

Part No.	Language
CRD4076	English, Spanish
CRD4077	German, French
CRD4078	Italian, Dutch
CRB2176	Russian
CRD4079	English, Spanish, German, French, Italian, Dutch, Russian

2.3 EXTERIOR(1)(UC, ES MODEL)

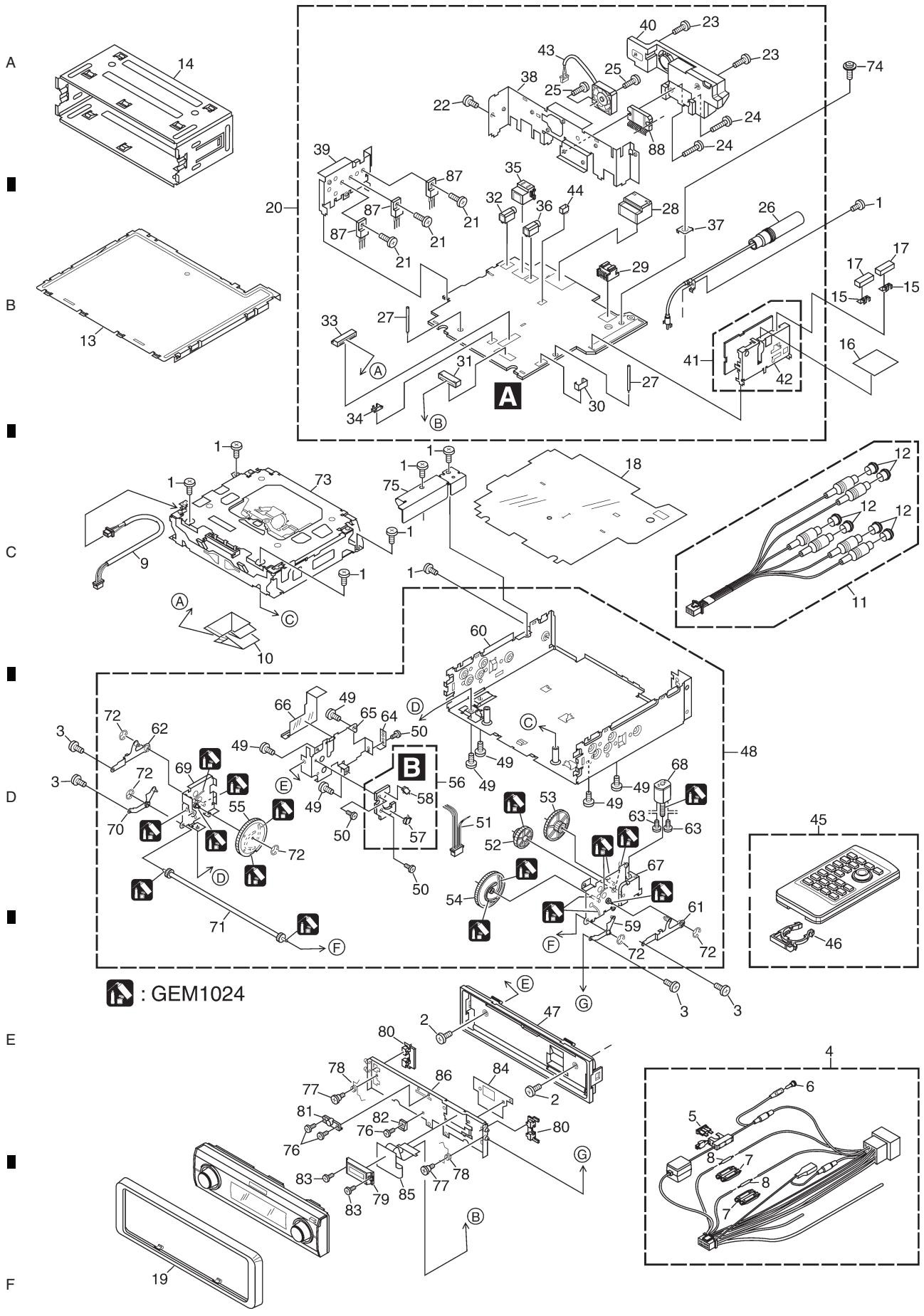


: GEM1024

5 6 7 8
EXTERIOR(1)(UC, ES MODEL) SECTION PARTS LIST

<u>Mark No.</u>	<u>Description</u>	<u>Part No.</u>	<u>Mark No.</u>	<u>Description</u>	<u>Part No.</u>
1	Screw	BSZ26P060FTC	48	Drive Unit	CXC6620
2	Screw(M2.6 x 4)	CBA1828			
3	Screw(M2 x 2.5)	CBA1924	49	Screw	BMZ26P040FTC
4	Cord Assy	CDE7701	50	Screw(M2 x 2)	CBA1871
⚠ 5	Fuse(10 A)	CEK1136	51	Cord	CDE7392
6	*****		52	Gear	CNV7752
7	Cap	CNS1472	53	Gear	CNV7753
8	Resistor	RS1/2PMF102J	54	Gear	CNV7754
9	Cord Assy	CDE7817	55	Gear	CNV7755
10	Cable	CDE8067	56	Switch Unit	CWS1389
11	Cord Assy	CDE8275	57	Switch(S1)	CSN1051
12	Cap	CNV6727	58	Spring Switch(S2)	CSN1052
13	Case Assy	CXC6908	59	Arm Unit	CXC2199
14	Holder	CNC8659	* 60	Chassis Unit	CXC5680
15	Earth Plate	CND2171	61	Arm Unit	CXC6623
16	Insulator	CNM8790	62	Arm Unit	CXC6624
17	Cushion	CNM9126	63	Screw	JFZ20P020FTC
18	Insulator	CNM9936	64	Spring	XBL7003
19	Panel	CNS8516	* 65	Holder	XNC7017
20	Tuner Amp Unit(UC)	CWN1478	* 66	Insulator	XNM7119
	Tuner Amp Unit(ES)	CWN1479	* 67	Holder Unit	XXA7399
21	Screw	ASZ26P060FTC	* 68	Motor Unit(M10)	XXA7400
22	Screw	BMZ26P040FTC	* 69	Holder Unit	XXA7401
23	Screw	BMZ26P120FTC	* 70	Arm Unit	XXA7403
24	Screw	BMZ26P180FTC	* 71	Gear Unit	XXA7424
25	Screw(M2.6 x 14)	CBA1632	72	Washer	YE15FTC
26	Antenna Cable	CDH1336	73	CD Mechanism Module(S10.5)	CXK5753
27	Clamper	CEF1040	74	Screw	ISS26P055FTC
28	Plug(CN901)	CKM1278	75	Holder	CND3606
29	Connector(CN351)	CKM1389	76	Screw(M2 x 2)	CBA1871
30	Plug(CN871)	CKS-786	77	Screw	CBA1935
31	Connector(CN471)	CKS3834	78	Spring	CBH2530
32	Connector(CN581)(UC)	CKS4124	79	Connector	CKS5273
33	Connector(CN801)	CKS4811	80	Arm	CNV6962
34	Connector(CN472)	CKS4822	81	Guide	CNV6967
35	Connector(CN101)	CKS5271	82	Guide	CNV8048
36	*****		83	Screw(M2 x 3.5)	XBA7002
37	Holder(CN402)	CNC5399	84	Holder	XNC7019
38	Holder(UC)	CND3158	85	Flexible PCB	XNP7026
	Holder(ES)	CND3159	86	Case Unit	XXA7426
39	Holder	CND3133	87	Transistor(Q462,701,711)	2SD2396
40	Heat Sink	CNR1837	88	IC(IC331)	PAL007B
41	FM/AM Tuner Unit(Y401)	CWE1802			
42	Holder	CND2144			
43	Fan Motor	CXM1288			
44	Connector(CN591)	VKN1928			
45	Remote Control Unit	CXC5717			
46	Cover	CZN5357			
47	Panel Unit	CXC5737			

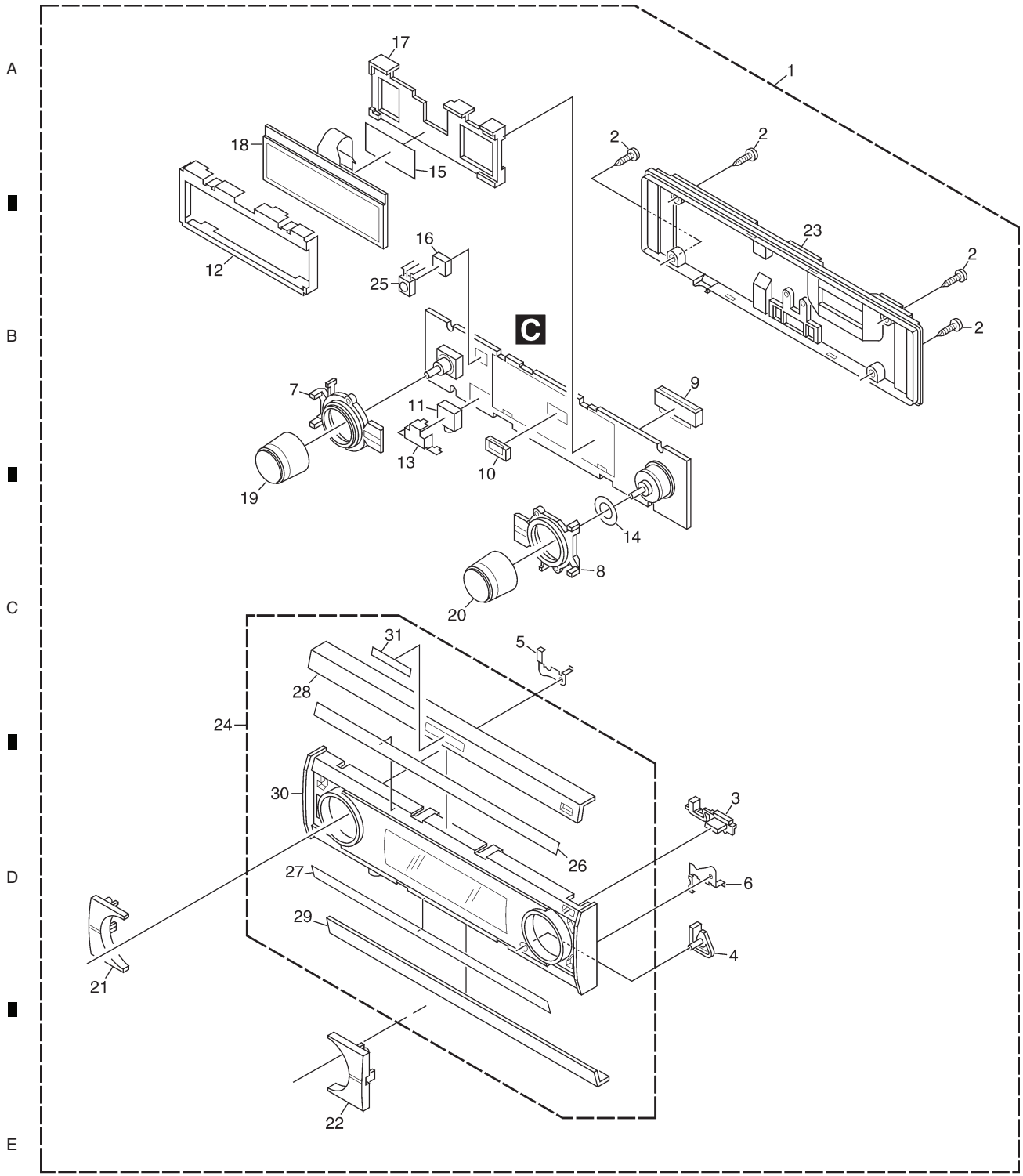
2.4 EXTERIOR(1)(EW5 MODEL)



EXTERIOR(1)(EW5 MODEL) SECTION PARTS LIST

Mark No.	Description	Part No.	Mark No.	Description	Part No.
1	Screw	BSZ26P060FTC	50	Screw(M2 x 2)	CBA1871
2	Screw(M2.6 x 4)	CBA1828			
3	Screw(M2 x 2.5)	CBA1924	51	Cord	CDE7392
4	Cord Assy	CDE6562	52	Gear	CNV7752
⚠ 5	Fuse(10 A)	CEK1136	53	Gear	CNV7753
			54	Gear	CNV7754
6	Cap	CKX-003	55	Gear	CNV7755
7	Cap	CNS1472			
8	Resistor	RS1/2PMF102J	56	Switch Unit	CWS1389
9	Cord Assy	CDE7817	57	Switch(S1)	CSN1051
10	Cable	CDE8067	58	Spring Switch(S2)	CSN1052
			59	Arm Unit	CXC2199
11	Cord Assy	CDE8274	* 60	Chassis Unit	CXC5680
12	Cap	CNV6727			
13	Case Assy	CXC6908	61	Arm Unit	CXC6623
14	Holder	CNC8659	62	Arm Unit	CXC6624
15	Earth Plate	CND2171	63	Screw	JFZ20P020FTC
			64	Spring	XBL7003
16	Insulator	CNM8790	* 65	Holder	XNC7017
17	Cushion	CNM9126			
18	Insulator	CNM9936	* 66	Insulator	XNM7119
19	Panel	CNS8516	* 67	Holder Unit	XXA7399
20	Tuner Amp Unit	CWN1477	* 68	Motor Unit(M10)	XXA7400
			* 69	Holder Unit	XXA7401
21	Screw	ASZ26P060FTC	* 70	Arm Unit	XXA7403
22	Screw	BMZ26P040FTC			
23	Screw	BMZ26P120FTC	* 71	Gear Unit	XXA7424
24	Screw	BMZ26P180FTC	72	Washer	YE15FTC
25	Screw(M2.6 x 14)	CBA1632	73	CD Mechanism Module(S10.5)	CXK5753
			74	Screw	ISS26P055FTC
26	Antenna Cable	CDH1336	75	Holder	CND3606
27	Clamper	CEF1040			
28	Plug(CN901)	CKM1278	76	Screw(M2 x 2)	CBA1871
29	Connector(CN351)	CKM1389	77	Screw	CBA1935
30	Plug(CN871)	CKS-786	78	Spring	CBH2530
			79	Connector	CKS5273
31	Connector(CN471)	CKS3834	80	Arm	CNV6962
32	Connector(CN581)	CKS4124			
33	Connector(CN801)	CKS4811	81	Guide	CNV6967
34	Connector(CN472)	CKS4822	82	Guide	CNV8048
35	Connector(CN101)	CKS5271	83	Screw(M2 x 3.5)	XBA7002
			84	Holder	XNC7019
36	Connector(CN541)	CKS5523	85	Flexible PCB	XNP7026
37	Holder(CN402)	CNC5399			
38	Holder	CND3129	86	Case Unit	XXA7426
39	Holder	CND3133	87	Transistor(Q462,701,711)	2SD2396
40	Heat Sink	CNR1837	88	IC(IC331)	PAL007B
41	FM/AM Tuner Unit(Y401)	CWE1801			
42	Holder	CND2144			
43	Fan Motor	CXM1288			
44	Connector(CN591)	VKN1928			
45	Remote Control Unit	CXC5717			
46	Cover	CZN5357			
47	Panel Unit	CXC5737			
48	Drive Unit	CXC6620			
49	Screw	BMZ26P040FTC			

2.5 EXTERIOR(2)



(1) EXTERIOR(2) SECTION PARTS LIST

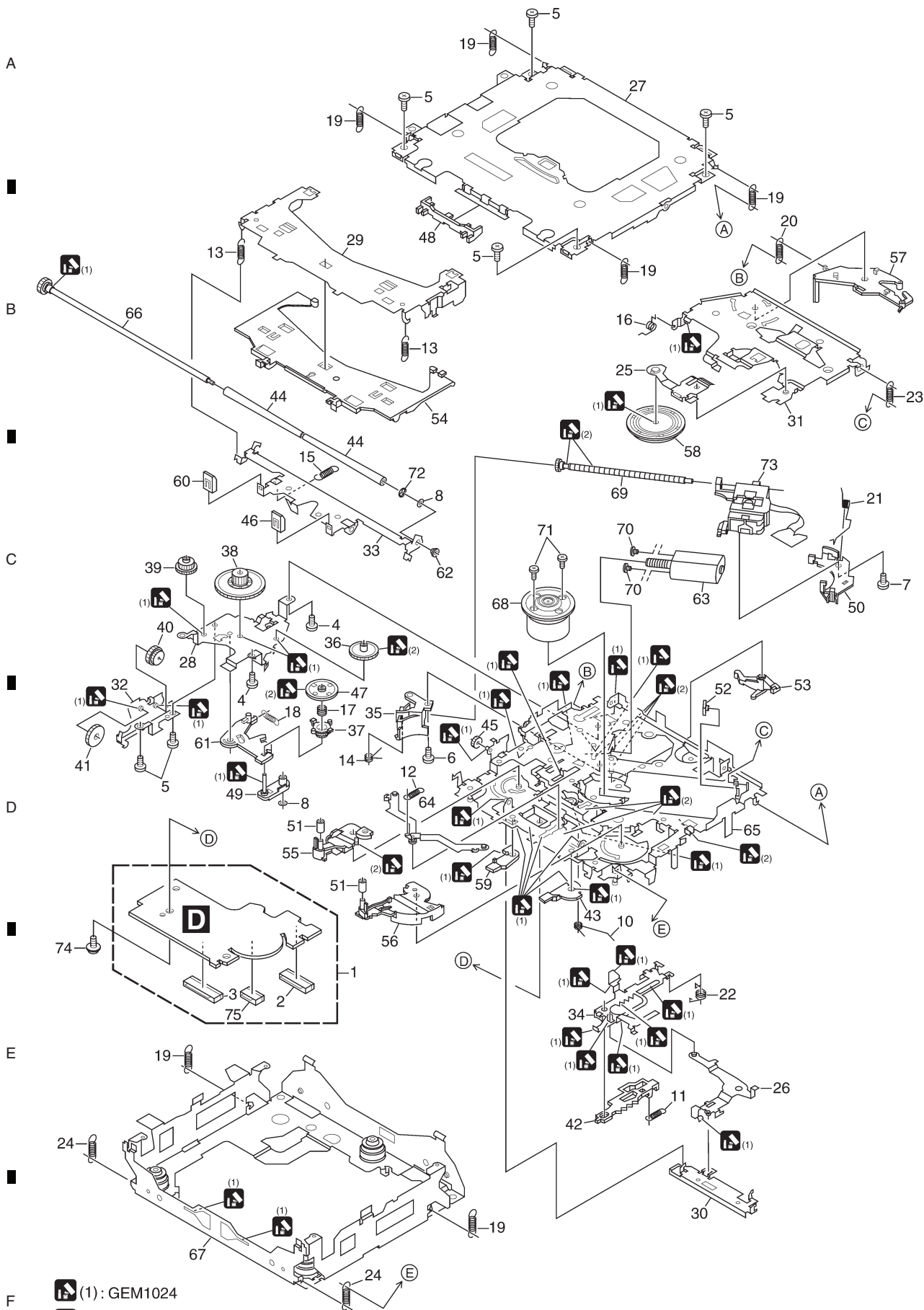
<u>Mark No.</u>	<u>Description</u>	<u>Part No.</u>	<u>Mark No.</u>	<u>Description</u>	<u>Part No.</u>	
1	Detach Grille Assy	See Contrast table(2)	17	Holder	CNV8925	
2	Screw	BPZ20P080FTB	18	OEL Unit	MXS8232	
3	Button(EJECT)	CAC9616	19	Knob Unit(SOURCE,VOLUME)	CXC5740	
4	Button(RESET)	CAC9617	20	Knob Unit(MULTI-CONTROL)	CXC5741	
5	Earth Plate	CND3149				
			21	Button Unit(EQ/CLK)	See Contrast table(2)	
6	Earth Plate	CND3150	22	Button Unit(BAND/DISP)	CXC5748	
7	Lighting Conductor	CNV8923	23	Cover Unit	CXC5749	
8	Lighting Conductor	CNV8924	24	Sub Grille Assy	See Contrast table(2)	
9	Connector(CN1801)	CKS5272	25	IC(IC1902)	GP1UX51RK	
10	Connector(CN1861)	CKS5545				
			26	Double Sided Seal	CNM9942	
11	Connector(CN1802)	See Contrast table(2)	27	Double Sided Seal	CNM9943	
12	Holder	CND3151	28	Panel	See Contrast table(2)	
13	Holder	CND3152	29	Panel	See Contrast table(2)	
14	Sheet	CNM8658	30	Grille Unit	CXC5732	
15	Double Sided Seal	CNM8673				
			*	31	Badge	See Contrast table(2)
16	Cushion	CNM9946				

(2) CONTRAST TABLE

DEH-P880PRS/XN/UC, DEH-P88RS/XN/EW5 and DEH-P80RS/XN/ES are constructed the same except for the following:

<u>Mark</u>	<u>No.</u>	<u>Description</u>	<u>DEH-P880PRS/XN/UC</u>	<u>DEH-P88RS/XN/EW5</u>	<u>DEH-P80RS/XN/ES</u>
	1	Detach Grille Assy	CXC5764	CXC5763	CXC5765
	11	Connector(CN1802)	CKS5575	CKS3120(Mini Jack)	CKS5575
	21	Button Unit(EQ/CLK)	CXC5745	CXC5744(EQ/TA)	CXC5746
	24	Sub Grille Assy	CXC5823	CXC5822	CXC5824
	28	Panel	CNR1843	CNR1842	CNR1844
	29	Panel	CNR1847	CNR1846	CNR1846
*	31	Badge	CAH1956	CAH1925	CAH1925

2.6 CD MECHANISM MODULE



(1): GEM1024
 (2): GEM1045

CD MECHANISM MODULE SECTION PARTS LIST

<u>Mark No.</u>	<u>Description</u>	<u>Part No.</u>	<u>Mark No.</u>	<u>Description</u>	<u>Part No.</u>
1	CD Core Unit(S10.5COMP1)	CWX3381	50	Rack	CNV8342
2	Connector(CN101)	CKS4182			
3	Connector(CN901)	CKS4187	51	Roller	CNV8343
4	Screw	BMZ20P025FTC	52	Holder	CNV8344
5	Screw	BSZ20P040FTC	53	Arm	CNV8345
			54	Guide	CNV8347
6	Screw(M2 x 3)	CBA1511	55	Arm	CNV8348
7	Screw(M2 x 4)	CBA1835			
8	Washer	CBF1038	56	Arm	CNV8349
9		57	Arm	CNV8350
10	Spring	CBH2609	58	Clamper	CNV8365
			59	Arm	CNV8386
11	Spring	CBH2612	60	Guide	CNV8396
12	Spring	CBH2614			
13	Spring	CBH2616	61	Arm	CNV8413
14	Spring	CBH2617	62	Collar	CNV8938
15	Spring	CBH2620	63	Motor Unit(M2)	CXC4026
			64	Arm Unit	CXC4027
16	Spring	CBH2855	65	Chassis Unit	CXC4028
17	Spring	CBH2937			
18	Spring	CBH2735	66	Gear Unit	CXC4029
19	Spring	CBH2854	67	Frame Unit	CXC4031
20	Spring	CBH2642	68	Motor Unit(M1)	CXC6742
			69	Screw Unit	CXC6359
21	Spring	CBH2856	70	Screw	JFZ20P020FTC
22	Spring	CBH2857			
23	Spring	CBH2860	71	Screw	JGZ17P022FTC
24	Spring	CBH2861	72	Washer	YE20FTC
25	Spring	CBL1686	73	Pickup Unit(P10.5)(Service)	CXX1942
			74	Screw	IMS26P030FTC
26	Arm	CND1909	75	Connector(CN902)	CKS4979
27	Frame	CND2582			
28	Bracket	CND2583			
29	Arm	CND2584			
30	Lever	CND2585			
31	Arm	CND2586			
32	Bracket	CND2587			
33	Arm	CND2588			
34	Lever	CND2589			
35	Holder	CNV7201			
36	Gear	CNV7207			
37	Gear	CNV7208			
38	Gear	CNV7209			
39	Gear	CNV7210			
40	Gear	CNV7211			
41	Gear	CNV7212			
42	Rack	CNV7214			
43	Arm	CNV7216			
44	Roller	CNV7218			
45	Gear	CNV7219			
46	Guide	CNV7361			
47	Gear	CNV7595			
48	Guide	CNV7799			
49	Arm	CNV7805			

5. ELECTRICAL PARTS LIST

NOTE:

- Parts whose parts numbers are omitted are subject to being not supplied.
- The part numbers shown below indicate chip components.

Chip Resistor

RS1/OSOOOJ,RS1/OOSOOOJ

Chip Capacitor (except for CQS.....)

CKS....., CCS....., CSZS.....

- The Δ mark found on some component parts indicates the importance of the safety factor of the part. Therefore, when replacing, be sure to use parts of identical designation.
- Meaning of the figures and others in the parentheses in the parts list.

Example) IC 301 is on the point (face A, 91 of x-axis, and 111 of y-axis) of the corresponding PC board.

IC 301 (A, 91, 111) IC NJM2068V

Circuit Symbol and No.	Part No.	Circuit Symbol and No.	Part No.
Unit Number : CWN1478(UC model)	IC 492 (A,80,28) IC	TC7S04FU	
	IC 493 (A,84,31) IC	TC7SH08FUS1	
Unit Number : CWN1479(ES model)	IC 521 (A,119,33) IC	TC4066BF	
	IC 522 (A,129,33) IC	BA3121F	
Unit Name : Tuner Amp Unit	IC 601 (A,129,65) IC	PEG178A	
Unit Number : CWN1477(EW5 model)	IC 631 (A,132,45) IC	BR25L320F-W	
	IC 661 (A,115,42) IC	S-80835CNMC-B8U	
Unit Name : Tuner Amp Unit	IC 671 (A,96,15) IC	TC74VHCT08AFTS1	
Unit Number : CWS1389	IC 672 (A,83,15) IC	TC74VHC08FTS1	
	IC 721 (A,37,76) IC	NJM2872F05	
Unit Name : Switch Unit	IC 731 (A,49,25) IC	NJM2885DL1-33	
Unit Number :	IC 841 (A,30,37) IC	NJM2360M	
Unit Name : Keyboard Unit	IC 871 (A,143,33) IC	BA6288FS	
Unit Number : CWX3381	IC 941 (A,79,114) IC	TPD1018F	
Unit Name : CD Core Unit(S10.5COMP1)	Q 101 (A,19,115) Transistor	UMF23N	
	Q 331 (A,107,125) Transistor	DTC124EU	
	Q 351 (A,147,121) Transistor	IMH23	
	Q 352 (A,138,121) Transistor	IMH23	
	Q 353 (A,130,121) Transistor	IMH23	
	Q 354 (A,145,112) Transistor	IMH23	
	Q 355 (A,139,112) Transistor	IMH23	
	Q 356 (A,133,112) Transistor	IMH23	
	Q 381 (B,25,104) Transistor	2SC3052-12	
	Q 382 (A,123,122) Transistor	UMD3N	
	Q 431 (B,160,92) Transistor	2SA1576	
	Q 432 (B,160,88) Transistor	2SA1576	
	Q 461 (B,18,65) Transistor	UMD3N	
	Q 462 (A,14,69) Transistor	2SD2396	
	Q 521 (A,122,23) Transistor	DTC114EU	
	Q 522 (B,111,28) Transistor	2SC3052-12	
	Q 523 (B,129,31) Transistor	UMD2N	
	Q 524 (A,147,65) Transistor	UMD2N	
	Q 591 (A,60,106) Transistor	2SD1767	
	Q 592 (A,59,102) Transistor	UMD3N	
	Q 661 (B,119,43) Transistor	2SC3052-12	
	Q 701 (A,14,99) Transistor	2SD2396	
	Q 702 (B,19,99) Transistor	UMD3N	
	Q 711 (A,14,82) Transistor	2SD2396	
	Q 712 (B,23,80) Transistor	UMD3N	
	Q 751 (A,39,98) Transistor	2SD1760F5	
	Q 752 (A,32,100) Transistor	UMD3N	
MISCELLANEOUS			
IC 101 (B,43,109) IC	HA12241FP		
IC 121 (A,67,27) IC	AK7732VT		
IC 161 (A,46,52) IC	PCM1793DB		
IC 171 (A,63,52) IC	PCM1793DB		
IC 181 (A,80,52) IC	PCM1793DB		
IC 201 (A,53,78) IC	NJM2114M		
IC 202 (A,67,78) IC	NJM2114M		
IC 203 (A,81,78) IC	NJM2114M		
IC 251 (B,47,72) IC	NJM4558MD		
IC 261 (B,107,73) IC	NJM4558MD		
IC 281 (A,112,92) IC	PM9009A		
IC 331 (A,98,134) IC	PAL007B		
IC 401 (B,147,73) IC	NJM2885DL1-33		
IC 431 (A,155,90) IC	NJM4558V		
IC 491 (A,86,28) IC	TC7SU04FU		

Circuit Symbol and No.**Part No.****Circuit Symbol and No.****Part No.**

Q 821	(A,28,18) Transistor	2SD1767	D 921	(A,86,117) Diode	MPG06G-6415G50
Q 822	(A,30,14) Transistor	UMD3N	D 931	(B,57,125) Diode	DAN202U
Q 823	(A,38,23) Transistor	UMH1N	D 941	(A,68,113) Diode	MPG06G-6415G50
A Q 831	(A,72,7) Transistor	DTC114EU	D 942	(A,72,113) Diode	MPG06G-6415G50
Q 841	(A,19,55) Transistor	2SD1760F5	D 971	(B,143,85) Diode Network	DA204U
Q 842	(A,19,47) Transistor	UMD3N	D 972	(B,143,94) Diode	HZU7L(C2)
Q 861	(A,66,9) Transistor	2SB710A	ZNR401	(A,156,141) Surge Protector	RCCA-201Q31UA-PI
Q 862	(A,65,14) Transistor	DTC114EU	L 101	(B,37,111) Inductor	LCTC3R3K2125
Q 871	(A,143,15) Transistor	2SD1760F5	L 121	(B,57,24) Inductor	CTF1379
Q 872	(B,146,14) Transistor	UMD3N	L 122	(B,61,16) Inductor	CTF1379
Q 911	(A,89,109) Transistor	UMX1N	L 161	(A,54,44) Inductor	CTF1379
Q 921	(A,81,120) Transistor	DTC114EU	L 162	(A,53,50) Inductor	CTF1379
Q 931	(B,66,125) Transistor	2SA1235A-12	L 171	(A,72,44) Inductor	CTF1379
D 281	(A,111,106) Diode	RB520S-30	L 172	(A,70,50) Inductor	CTF1379
D 282	(A,107,102) Diode	1SS400	L 181	(A,88,44) Inductor	CTF1379
D 283	(A,112,102) Diode	RB521S-30	L 182	(A,87,50) Inductor	CTF1379
D 284	(B,112,98) Diode	RB521S-30	L 281	(A,89,88) Inductor	LCTAW2R2J2520
D 381	(A,103,125) Diode	DAN202U	L 401	(B,162,144) Chip Coil	LCTAW4R7J2520
D 382	(A,12,90) Diode	HZS9L(A2)	L 402	(A,150,113) Inductor	LAU1R0K
D 383	(A,120,117) Diode	1SS133	L 403	(A,146,99) Inductor	LAU1R0K
D 401	(A,144,93) Diode	1SR154-400	L 404	(A,149,99) Inductor	LAU2R2K
D 402	(A,144,89) Diode	1SR154-400	L 471	(A,99,51) Ferri-Inductor	LAU100K
D 403	(A,144,86) Diode	1SR154-400	L 492	(B,76,24) Inductor	CTF1379
D 431	(B,150,88) Diode	UDZS5R6(B)	L 493	(B,91,27) Inductor	CTF1389
D 461	(A,18,62) Diode	HZS7L(C3)	L 494	(A,89,32) Inductor	CTF1389
D 521	(B,119,9) Diode	RSB6R8S	L 521	(B,130,33) Inductor	LCTC1R0K1608
D 522	(B,117,9) Diode	RSB6R8S	L 522	(B,128,39) Inductor	LCTAW2R2J2520
D 525	(B,124,29) Diode	HZU3R9(B1)	L 523	(A,116,24) Inductor	CTF1334
D 526	(A,111,32) Diode	DAN202U	L 524	(A,109,23) Inductor	CTF1334
D 581	(A,8,114) Diode(UC)	DAN202U	L 601	(A,137,92) Ferri-Inductor	LAU100K
D 582	(A,8,119) Diode(UC)	DAP202U	L 671	(B,96,17) Inductor	LCTC4R7K1608
D 591	(A,65,105) Diode	HZS11L(B2)	L 672	(B,83,17) Inductor	LCTC4R7K1608
D 631	(A,136,84) Diode	MA111	L 731	(B,46,28) Chip Coil	LCTAW1R0J2520
D 661	(A,119,42) Diode	MA111	L 732	(B,50,28) Chip Coil	LCTAW1R0J2520
D 701	(A,22,90) Diode	HZS9L(B2)	L 841	(A,21,39) Inductor	CTF1660
D 711	(A,18,76) Diode	HZS9L(B3)	L 842	(A,18,25) Inductor	LCTAW2R2J3225
D 712	(B,22,87) Diode	DAN202U	L 931	(B,59,130) Inductor	LCTAW2R2J2520
D 751	(A,33,88) Diode	HZS6L(B3)	X 491	(A,82,22) Crystal Resonator 16.934 MHz	CSS1620
D 752	(A,42,90) Diode	RB551V-30	X 601	(A,129,79) Crystal Resonator 15.000 MHz	CSS1653
D 801	(A,129,24) Diode Network	DA204U	S 651	(A,10,65) Switch(MODE)	CSH1051
D 802	(A,134,20) Diode Network	DA204U	VR281	(A,103,98) Semi-fixed 15 kΩ(B)	CCP1397
D 803	(A,134,15) Diode Network	DA204U	△FU351	(A,150,128) Fuse 3 A	CEK1286
D 804	(A,134,23) Diode Network	DA204U	Y 401	(A,165,146) FM/AM Tuner Unit	CWE1802
D 805	(A,134,17) Diode Network	DA204U	BZ601	(A,56,9) Buzzer	CPV1062
D 806	(A,129,22) Diode Network	DA204U	RESISTORS		
D 807	(A,129,19) Diode Network	DA204U	R 101	(B,28,133)	RS1/16S150J
D 821	(A,34,18) Diode	HZS11L(A2)	R 102	(B,26,133)	RS1/16S470J
D 822	(A,37,18) Diode(UC)	HZS6L(C3)	R 103	(B,30,133)	RS1/16S101J
D 823	(A,40,18) Diode	HZS7L(B3)	R 104	(B,24,133)	RS1/16S101J
D 831	(A,88,6) LED(UC)	SML412BC5T(NP)	R 105	(A,17,130)	RS1/16S181J
D 831	(A,88,6) LED(ES)	NECWB205-5780	R 106	(A,17,122)	RS1/16S181J
D 841	(A,25,49) Diode	HZS9L(C2)	R 107	(A,17,123)	RS1/16S223J
D 842	(B,29,37) Diode	RB411D	R 108	(A,17,129)	RS1/16S223J
D 871	(A,152,15) Diode	HZS7L(B2)	R 109	(A,17,125)	RS1/16S102J
D 872	(A,145,23) Diode	1SS133	R 110	(A,29,120)	RS1/16S222J
D 873	(A,141,23) Diode	1SS133	R 111	(A,17,127)	RS1/16S102J
D 901	(A,53,128) Diode	MPG06G-6415G50	R 112	(B,35,111)	RS1/16S102J
D 902	(A,49,126) Diode	MPG06G-6415G50	R 113	(A,21,113)	RS1/16S332J
D 911	(A,90,117) Diode	HZS7L(C3)	R 114	(A,21,115)	RS1/16S562J
D 912	(A,93,117) Diode	HZS7L(A1)			

<u>Circuit Symbol and No.</u>		<u>Part No.</u>	<u>Circuit Symbol and No.</u>		<u>Part No.</u>
R 115	(B,46,114)	RS1/16S472J	R 236	(A,84,73)	RN1/16SE6800D
R 116	(B,48,114)	RS1/16S472J	R 251	(A,45,84)	RS1/16S332J
R 121	(A,75,20)	RS1/16S101J	R 252	(A,45,81)	RS1/16S563J
R 122	(A,77,20)	RS1/16S101J	R 253	(A,43,84)	RS1/16S682J
R 123	(A,78,20)	RS1/16S101J	R 254	(A,43,81)	RS1/16S473J
R 124	(A,69,17)	RS1/16S681J	R 261	(B,113,74)	RS1/16S223J
R 125	(A,68,17)	RS1/16S681J	R 262	(B,100,75)	RS1/16S223J
R 126	(A,61,33)	RS1/16S104J	R 263	(B,115,71)	RS1/16S153J
R 127	(A,61,35)	RS1/16S104J	R 264	(B,100,71)	RS1/16S153J
R 128	(A,59,26)	RS1/16S153J	R 267	(B,113,67)	RS1/16S101J
R 161	(A,48,44)	RAB4C101J	R 268	(B,100,67)	RS1/16S101J
R 162	(A,45,44)	RS1/16S473J	R 281	(A,123,87)	RS1/16S390J
R 163	(A,51,44)	RS1/16S101J	R 282	(A,123,88)	RS1/16S390J
R 164	(A,42,44)	RAB4C101J	R 283	(A,127,102)	RS1/16S390J
R 165	(A,52,44)	RS1/16S473J	R 284	(A,126,102)	RS1/16S390J
R 171	(A,65,44)	RAB4C101J	R 285	(A,124,102)	RS1/16S390J
R 172	(A,62,44)	RS1/16S473J	R 286	(A,123,102)	RS1/16S390J
R 173	(A,68,44)	RS1/16S101J	R 287	(A,123,93)	RS1/16S0R0J
R 174	(A,59,44)	RAB4C101J	R 288	(A,123,94)	RS1/16S0R0J
R 175	(A,70,44)	RS1/16S473J	R 289	(A,123,96)	RS1/16S0R0J
R 181	(A,82,44)	RAB4C101J	R 290	(A,123,98)	RS1/16S0R0J
R 182	(A,79,44)	RS1/16S473J	R 291	(A,105,99)	RS1/16S103J
R 183	(A,85,44)	RS1/16S101J	R 292	(A,118,102)	RAB4C101J
R 184	(A,76,44)	RAB4C101J	R 331	(A,94,125)	RS1/16S103J
R 185	(A,86,44)	RS1/16S473J	R 332	(A,113,125)	RS1/16S331J
R 201	(A,51,69)	RN1/16SE1502D	R 333	(A,110,125)	RS1/16S103J
R 202	(A,57,69)	RN1/16SE1502D	R 334	(A,111,125)	RS1/16S103J
R 203	(A,49,69)	RN1/16SE1502D	R 351	(B,148,118)	RS1/16S390J
R 204	(A,56,69)	RN1/16SE1502D	R 352	(B,145,118)	RS1/16S390J
R 205	(A,52,71)	RN1/16SE1502D	R 353	(A,148,123)	RS1/16S223J
R 206	(A,59,71)	RN1/16SE1502D	R 354	(A,145,118)	RS1/16S223J
R 207	(A,48,69)	RN1/16SE1502D	R 359	(B,140,118)	RS1/16S390J
R 208	(A,54,69)	RN1/16SE1502D	R 360	(B,137,118)	RS1/16S390J
R 209	(A,51,73)	RN1/16SE6800D	R 361	(A,140,123)	RS1/16S223J
R 210	(A,57,73)	RN1/16SE6800D	R 362	(A,137,118)	RS1/16S223J
R 211	(A,49,73)	RN1/16SE6800D	R 367	(B,135,118)	RS1/16S390J
R 212	(A,56,73)	RN1/16SE6800D	R 368	(B,132,118)	RS1/16S390J
R 213	(A,65,69)	RN1/16SE1502D	R 369	(A,131,123)	RS1/16S223J
R 214	(A,71,69)	RN1/16SE1502D	R 370	(A,128,118)	RS1/16S223J
R 215	(A,63,69)	RN1/16SE1502D	R 381	(A,119,122)	RS1/16S473J
R 216	(A,70,69)	RN1/16SE1502D	R 382	(B,29,104)	RS1/16S103J
R 217	(A,66,71)	RN1/16SE1502D	R 383	(B,31,104)	RS1/16S473J
R 218	(A,73,71)	RN1/16SE1502D	R 384	(A,120,122)	RS1/16S221J
R 219	(A,62,69)	RN1/16SE1502D	R 401	(A,151,85)	RS1/16S471J
R 220	(A,68,69)	RN1/16SE1502D	R 402	(B,168,136)	RS1/16S681J
R 221	(A,65,73)	RN1/16SE6800D	R 403	(B,168,134)	RS1/16S681J
R 222	(A,71,73)	RN1/16SE6800D	R 404	(B,168,131)	RS1/16S681J
R 223	(A,63,73)	RN1/16SE6800D	R 405	(B,168,128)	RS1/16S681J
R 224	(A,70,73)	RN1/16SE6800D	R 406	(B,168,126)	RS1/16S681J
R 225	(A,79,69)	RN1/16SE1502D	R 407	(B,168,124)	RS1/16S681J
R 226	(A,85,69)	RN1/16SE1502D	R 408	(B,162,109)	RS1/16S681J
R 227	(A,77,69)	RN1/16SE1502D	R 431	(B,160,94)	RS1/16S222J
R 228	(A,84,69)	RN1/16SE1502D	R 432	(B,160,85)	RS1/16S222J
R 229	(A,80,71)	RN1/16SE1502D	R 433	(B,157,94)	RS1/16S561J
R 230	(A,87,71)	RN1/16SE1502D	R 434	(B,157,86)	RS1/16S561J
R 231	(A,76,69)	RN1/16SE1502D	R 437	(A,159,94)	RS1/16S103J
R 232	(A,82,69)	RN1/16SE1502D	R 438	(A,159,85)	RS1/16S103J
R 233	(A,79,73)	RN1/16SE6800D	R 439	(A,159,91)	RS1/16S103J
R 234	(A,85,73)	RN1/16SE6800D	R 440	(A,159,88)	RS1/16S103J
R 235	(A,77,73)	RN1/16SE6800D	R 441	(A,152,91)	RS1/16S103J

Circuit Symbol and No.**Part No.****Circuit Symbol and No.****Part No.**

	R 442	(A,152,88)	RS1/16S103J	R 631	(B,132,45)	RS1/16S104J
	R 443	(A,151,93)	RS1/16S103J	R 633	(A,131,52)	RAB4C681J
A	R 444	(A,151,86)	RS1/16S103J	R 634	(B,132,49)	RS1/16S104J
	R 445	(B,147,86)	RS1/16S681J	R 635	(A,129,39)	RS1/16S104J
	R 461	(B,17,69)	RS1/4SA561J	R 636	(A,131,39)	RS1/16S104J
	R 471	(B,110,49)	RS1/16S682J	R 642	(B,125,47)	RS1/16S104J
	R 472	(B,108,49)	RS1/16S682J	R 651	(B,12,68)	RS1/16S0R0J
	R 473	(B,106,49)	RS1/16S682J	R 653	(B,12,62)	RS1/16S473J
	R 474	(B,104,49)	RS1/16S682J	R 661	(A,117,43)	RS1/16S183J
	R 475	(B,104,46)	RS1/16S221J	R 663	(B,119,38)	RS1/16S473J
	R 476	(B,104,44)	RS1/16S221J	R 664	(A,119,49)	RS1/16S102J
	R 477	(B,106,42)	RS1/16S221J	R 665	(B,119,40)	RS1/16S222J
	R 478	(B,106,40)	RS1/16S221J	R 671	(A,91,17)	RS1/16S681J
B	R 479	(B,106,38)	RS1/16S221J	R 672	(A,90,14)	RS1/16S681J
	R 480	(B,106,36)	RS1/16S681J	R 673	(A,100,23)	RAB4C681J
	R 481	(B,106,34)	RS1/16S473J	R 674	(A,84,37)	RAB4C272J
	R 482	(B,106,32)	RS1/16S473J	R 675	(B,85,37)	RAB4C472J
	R 483	(B,117,47)	RS1/16S102J	R 676	(A,90,13)	RS1/16S473J
	R 491	(A,84,26)	RN1/16SE1003D	R 677	(A,100,20)	RS1/16S473J
	R 492	(A,81,26)	RS1/16S152J	R 701	(B,17,103)	RS1/16S471J
	R 493	(A,79,31)	RS1/16S101J	R 702	(B,19,103)	RS1/16S561J
	R 494	(A,84,33)	RS1/16S103J	R 705	(B,17,93)	RS1/16S473J
	R 495	(A,94,32)	RS1/16S472J	R 712	(B,19,82)	RS1/16S471J
	R 497	(B,77,29)	RS1/16S0R0J	R 713	(B,17,85)	RS1/16S471J
C	R 521	(A,118,22)	RS1/16S103J	R 751	(A,32,103)	RS1/16S333J
	R 523	(B,122,28)	RS1/16S104J	R 752	(A,32,105)	RS1/16S681J
	R 524	(B,121,30)	RS1/16S222J	R 753	(A,31,103)	RS1/16S821J
	R 525	(B,115,31)	RS1/16S683J	R 801	(B,125,25)	RS1/16S222J
	R 526	(B,115,28)	RS1/16S153J	R 802	(B,127,17)	RS1/16S222J
	R 527	(B,112,31)	RS1/16S682J	R 803	(A,130,14)	RS1/16S222J
	R 528	(B,114,25)	RS1/16S152J	R 804	(B,125,23)	RS1/16S222J
	R 529	(B,127,33)	RS1/16S561J	R 805	(A,129,15)	RS1/16S222J
	R 530	(A,145,64)	RS1/16S682J	R 806	(B,125,21)	RS1/16S222J
	R 531	(A,143,65)	RS1/16S683J	R 807	(A,128,17)	RS1/16S222J
D	R 533	(A,114,24)	RS1/16S102J	R 808	(B,137,51)	RS1/16S104J
	R 534	(A,106,26)	RS1/16S102J	R 809	(B,135,23)	RS1/16S104J
	R 535	(A,111,24)	RS1/16S223J	R 821	(A,26,13)	RS1/16S221J
	R 536	(A,109,26)	RS1/16S223J	R 822	(A,26,15)	RS1/16S271J
	R 581	(A,6,115)	RS1/16S103J	R 823	(A,42,15)	RS1/16S473J
	R 582	(A,10,115)	RS1/16S104J	R 831	(A,66,6) (UC)	RS1/16S221J
	R 583	(A,10,118) (UC)	RS1/16S102J	R 831	(A,66,6) (ES)	RS1/16S181J
	R 584	(A,6,118) (UC)	RS1/16S102J	R 841	(A,14,52)	RS1/4SA471J
	R 591	(A,73,108)	RS1/16S1R0J	R 842	(A,30,44)	RS1/16S1R0J
	R 592	(A,56,104)	RS1/16S391J	R 843	(A,29,42)	RS1/16S391J
	R 601	(B,134,78)	RS1/16S0R0J	R 844	(A,37,37)	RD1/4PU332J
E	R 602	(B,126,73)	RS1/16S473J	R 845	(A,35,37)	RD1/4PU332J
	R 603	(A,114,74)	RS1/16S473J	R 846	(A,34,42)	RS1/16S121J
	R 604	(B,126,57) (ES)	RS1/16S104J	R 861	(A,64,12)	RS1/16S103J
	R 605	(B,126,59) (UC)	RS1/16S104J	R 862	(A,67,12)	RS1/16S222J
	R 606	(B,65,129)	RS1/16S473J	R 863	(A,73,11)	RS1/16S473J
	R 607	(B,136,58)	RS1/16S104J	R 871	(B,140,14)	RS1/16S471J
	R 608	(B,136,60)	RS1/16S104J	R 872	(B,142,14)	RS1/16S471J
	R 609	(B,136,56)	RS1/16S104J	R 873	(A,144,39)	RS1/16S102J
	R 610	(B,137,62)	RS1/16S473J	R 874	(A,144,38)	RS1/16S102J
	R 611	(B,137,69)	RS1/16S681J	R 875	(B,146,31)	RS1/16S102J
	R 612	(B,137,67)	RS1/16S681J	R 876	(B,146,33)	RS1/16S102J
F	R 613	(B,137,65)	RS1/16S681J	R 877	(B,147,36)	RS1/16S104J
	R 614	(B,127,27)	RS1/16S473J	R 878	(B,145,36)	RS1/16S104J
	R 615	(A,64,17)	RS1/16S102J	R 911	(A,86,111)	RS1/16S473J
	R 616	(B,132,93)	RS1/16S473J	R 912	(A,89,111)	RS1/16S104J

Circuit Symbol and No.**Part No.****Circuit Symbol and No.****Part No.**

A	C 292	(A,50,83) 10 μ F/16 V	CCH1563	C 473	(A,98,57)	CEJQ101M10
	C 293	(A,57,83) 10 μ F/16 V	CCH1563	C 491	(B,80,32)	CKSQYB225K10
	C 294	(A,64,84) 10 μ F/16 V	CCH1563	C 492	(B,78,32)	CKSRYB103K50
	C 295	(A,70,84) 10 μ F/16 V	CCH1563	C 494	(B,80,24)	CKSQYB225K10
	C 296	(A,78,84) 10 μ F/16 V	CCH1563	C 495	(B,78,24)	CKSRYB103K50
	C 297	(A,84,84) 10 μ F/16 V	CCH1563	C 496	(A,84,25)	CCSRCH100D50
	C 298	(A,95,99) 56 μ F/10 V	CCH1701	C 497	(A,80,25)	CCSRCH100D50
	C 299	(A,112,104)	CKSQYB474K16	C 498	(A,81,32)	CCSRCH220J50
	C 300	(A,95,91) 56 μ F/10 V	CCH1701	C 499	(A,81,31)	CCSRCH470J50
	C 301	(A,109,102)	CKSQYB475K10	C 502	(B,88,26)	CKSRYB103K50
	C 302	(A,112,101)	CKSQYB105K16	C 503	(B,88,28)	CKSRYB103K50
	C 303	(B,107,95)	CKSRYB104K16	C 504	(B,88,30)	CKSQYB225K10
B	C 331	(A,109,117)	CFTNA274J50	C 505	(A,88,34)	CCSRCH151J50
	C 332	(A,97,117)	CFTNA274J50	C 506	(A,89,34)	CCSRCH390J50
	C 333	(A,115,117)	CFTNA274J50	C 521	(B,121,10)	CKSRYB221K50
	C 334	(A,103,117)	CFTNA274J50	C 522	(B,115,10)	CKSRYB221K50
	C 335	(A,71,127) 3 300 μ F/16 V	CCH1547	C 523	(A,113,27)	CKSQYB105K10
	C 336	(A,129,128) 10 μ F/16 V	CCH1532	C 524	(A,107,29)	CKSQYB105K10
	C 337	(A,100,125)	CKSQYB225K10	C 525	(B,121,32)	CKSRYB104K16
	C 338	(A,98,125)	CKSQYB225K10	C 526	(B,124,37)	CKSRYB104K16
	C 339	(B,105,135)	CKSRYB104K16	C 527	(B,124,35)	CKSRYB105K10
	C 340	(A,123,127)	CEHAR330M10	C 528	(A,135,31)	CEAL100M16
	C 351	(A,138,100) 10 μ F/16 V	CCH1532	C 529	(B,120,28)	CCSRCH681J50
C	C 352	(A,132,100) 10 μ F/16 V	CCH1532	C 530	(B,118,28)	CKSQYB225K10
	C 355	(A,138,106) 10 μ F/16 V	CCH1532	C 531	(A,135,37)	CEJQ101M6R3
	C 356	(A,132,106) 10 μ F/16 V	CCH1532	C 532	(B,133,31)	CKSRYB103K50
	C 359	(A,125,109) 10 μ F/16 V	CCH1532	C 533	(B,127,10)	CKSRYB104K16
	C 360	(A,118,109) 10 μ F/16 V	CCH1532	C 534	(B,127,15)	CKSRYB471K50
	C 381	(A,125,115)	CEJQ220M16	C 535	(A,112,24)	CKSRYB682K50
	C 401	(B,168,138)	CKSRYB103K50	C 536	(A,108,26)	CKSRYB682K50
	C 402	(A,156,113)	CEAL101M10	C 591	(A,69,104)	CEJQ100M16
	C 403	(B,154,110)	CKSRYB104K16	C 592	(A,70,108)	CKSRYB103K50
	C 404	(B,152,109)	CKSQYB475K10	C 593	(A,62,102)	CKSRYB103K50
	C 405	(B,157,82)	CKSRYB103K50	C 602	(B,138,94)	CKSRYB104K50
D	C 406	(A,157,80)	CEJQ101M10	C 603	(A,136,88)	CEJQ4R7M35
	C 407	(A,150,80)	CEJQ220M25	C 604	(B,126,82)	CCSRCH180J50
	C 408	(B,150,78)	CKSRYB103K50	C 605	(B,131,82)	CCSRCH180J50
	C 409	(B,143,68)	CKSRYB103K50	C 606	(B,137,64)	CCSRCH470J50
	C 410	(B,151,83)	CKSYB475K16	C 631	(B,132,48)	CKSRYB104K16
	C 412	(B,162,105)	CKSYB475K16	C 632	(A,139,79)	CEJQ101M16
	C 413	(B,162,101)	CKSRYB103K50	C 661	(A,118,45)	CKSRYB105K10
	C 414	(B,162,111)	CKSRYB103K50	C 662	(B,119,36)	CKSRYB104K16
	C 415	(A,150,106)	CEJQ470M10	C 671	(B,96,15)	CKSRYB104K16
	C 416	(A,157,106)	CEJQ470M10	C 672	(B,83,16)	CKSQ221M10
	C 417	(B,143,103)	CKSRYB102K50	C 701	(A,21,95)	CEJQ101M16
E	C 431	(B,163,91)	CKSRYB332K50	C 702	(B,21,93)	CKSRYB103K50
	C 432	(B,163,88)	CKSRYB332K50	C 703	(A,22,105)	CEJQ221M10
	C 433	(A,158,94)	CKSRYB474K10	C 704	(B,12,96)	CKSRYB102K50
	C 434	(A,158,85)	CKSRYB474K10	C 711	(A,23,83)	CEJQ221M10
	C 435	(A,158,91)	CCSRCH470J50	C 712	(B,20,75)	CKSRYB472K50
	C 436	(A,158,88)	CCSRCH470J50	C 713	(A,24,76)	CEJQ2R2M50
	C 437	(A,151,91)	CCSRCH470J50	C 714	(B,12,82)	CKSRYB102K50
	C 438	(A,151,88)	CCSRCH470J50	C 721	(A,38,68) 47 μ F/16 V	CCH1533
	C 439	(A,149,91)	CKSRYB474K10	C 722	(A,35,73)	CKSRYB104K16
	C 440	(A,149,88)	CKSRYB474K10	C 723	(A,37,79)	CKSRYB104K16
F	C 441	(B,153,86)	CKSRYB105K10	C 724	(A,36,81)	CKSYB475K10
	C 442	(B,151,92)	CKSRYB105K10	C 731	(A,53,18)	CEAL220M6R3
	C 461	(B,18,60)	CKSRYB473K50	C 732	(B,55,17)	CKSRYB104K16
	C 462	(B,20,69)	CKSRYB102K50	C 733	(A,42,27)	CKSRYB104K16
	C 463	(A,22,69)	CEJQ101M10	C 734	(A,46,30)	CKSYB475K10

<u>Circuit Symbol and No.</u>		<u>Part No.</u>	<u>Circuit Symbol and No.</u>		<u>Part No.</u>
C 735	(B,45,34)	CCSRCH101J50	IC 601	(A,129,65) IC	PEG176A
C 736	(A,45,36) 100 μ F/10 V	CCH1511	IC 631	(A,132,45) IC	BR25L320F-W
C 738	(B,53,34)	CCSRCH101J50	IC 661	(A,115,42) IC	S-80835CNMC-B8U
C 739	(A,53,36)	CEAL101M6R3	IC 671	(A,96,15) IC	TC74VHCT08AFTS1
C 751	(A,58,92)	CEAL470M6R3	IC 672	(A,83,15) IC	TC74VHC08FTS1
C 752	(A,48,89)	CKSRYB103K50	IC 721	(A,37,76) IC	NJM2872F05
C 753	(A,32,98)	CKSRYB472K50	IC 731	(A,49,25) IC	NJM2885DL1-33
C 754	(A,48,99) 0.1 F/5.5 V	CCL1050	IC 841	(A,30,37) IC	NJM2360M
C 801	(B,106,12)	CKSRYB104K16	IC 871	(A,143,33) IC	BA6288FS
C 821	(B,31,16)	CKSRYB473K25	IC 941	(A,79,114) IC	TPD1018F
C 841	(A,22,47)	CKSRYB103K50	Q 101	(A,19,115) Transistor	UMF23N
C 842	(A,27,57)	CEJQ470M25	Q 331	(A,107,125) Transistor	DTC124EU
C 843	(A,30,49)	CEAL101M10	Q 351	(A,147,121) Transistor	IMH23
C 844	(A,31,42)	CKSRYB104K16	Q 352	(A,138,121) Transistor	IMH23
C 845	(B,30,34)	CCSRCH331J50	Q 353	(A,130,121) Transistor	IMH23
C 846	(B,33,37)	CKSRYB103K50	Q 354	(A,145,112) Transistor	IMH23
C 847	(A,25,29)	CEJQ470M25	Q 355	(A,139,112) Transistor	IMH23
C 848	(A,18,30) 4.7 μ F	CCG1111	Q 356	(A,133,112) Transistor	IMH23
C 849	(A,35,29)	CEJQ470M25	Q 381	(B,25,104) Transistor	2SC3052-12
C 850	(B,25,61)	CKSRYB474K10	Q 382	(A,123,122) Transistor	UMD3N
C 862	(A,70,11)	CKSRYB105K10	Q 401	(A,153,101) Transistor	DTC143EU
C 871	(B,150,14)	CKSRYB224K10	Q 402	(A,158,97) Transistor	UMH1N
C 872	(B,150,25)	CKSRYB104K16	Q 403	(A,158,100) Transistor	UMH1N
C 873	(A,150,22)	CEAL220M16	Q 431	(B,160,92) Transistor	2SA1576
C 874	(B,148,28)	CKSRYB102K50	Q 432	(B,160,88) Transistor	2SA1576
C 875	(A,141,28)	CCSRCH101J50	Q 461	(B,18,65) Transistor	UMD3N
C 876	(A,141,38)	CCSRCH101J50	Q 462	(A,14,69) Transistor	2SD2396
C 911	(B,65,140)	CKSRYB104K16	Q 522	(B,111,28) Transistor	2SC3052-12
C 921	(A,79,122)	CKSRYB105K10	Q 523	(B,129,31) Transistor	UMD2N
C 941	(A,83,115)	CKSRYB473K25	Q 591	(A,60,106) Transistor	2SD1767
C 942	(A,75,115)	CKSRYB104K16	Q 592	(A,59,102) Transistor	UMD3N
C 971	(B,143,88)	CKSRYB104K16	Q 661	(B,119,43) Transistor	2SC3052-12
			Q 701	(A,14,99) Transistor	2SD2396
			Q 702	(B,19,99) Transistor	UMD3N
			Q 711	(A,14,82) Transistor	2SD2396
			Q 712	(B,23,80) Transistor	UMD3N
			Q 751	(A,39,98) Transistor	2SD1760F5
			Q 752	(A,32,100) Transistor	UMD3N
			Q 821	(A,28,18) Transistor	2SD1767
			Q 822	(A,30,14) Transistor	UMD3N
			Q 823	(A,38,23) Transistor	UMH1N
			Q 831	(A,72,7) Transistor	DTC114EU
			Q 841	(A,19,55) Transistor	2SD1760F5
			Q 842	(A,19,47) Transistor	UMD3N
			Q 861	(A,66,9) Transistor	2SB710A
			Q 862	(A,65,14) Transistor	DTC114EU
			Q 871	(A,143,15) Transistor	2SD1760F5
			Q 872	(B,146,14) Transistor	UMD3N
			Q 911	(A,89,109) Transistor	UMX1N
			Q 921	(A,81,120) Transistor	DTC114EU
			Q 931	(B,66,125) Transistor	2SA1235A-12
			D 281	(A,111,106) Diode	RB520S-30
			D 282	(A,107,102) Diode	1SS400
			D 283	(A,112,102) Diode	RB521S-30
			D 284	(B,112,98) Diode	RB521S-30
			D 381	(A,103,125) Diode	DAN202U
			D 382	(A,12,90) Diode	HZS9L(A2)
			D 383	(A,120,117) Diode	1SS133
			D 401	(A,144,93) Diode	1SR154-400
			D 402	(A,144,89) Diode	1SR154-400

A**Unit Number : CWN1477(EW5 model)****Unit Name : Tuner Amp Unit****MISCELLANEOUS**

IC 101	(B,43,109) IC	HA12241FP	Q 823	(A,38,23) Transistor	UMH1N
IC 121	(A,67,27) IC	AK7732VT	Q 831	(A,72,7) Transistor	DTC114EU
IC 161	(A,46,52) IC	PCM1793DB	Q 841	(A,19,55) Transistor	2SD1760F5
IC 171	(A,63,52) IC	PCM1793DB	Q 842	(A,19,47) Transistor	UMD3N
IC 181	(A,80,52) IC	PCM1793DB	Q 861	(A,66,9) Transistor	2SB710A
IC 201	(A,53,78) IC	NJM2114M	Q 862	(A,65,14) Transistor	DTC114EU
IC 202	(A,67,78) IC	NJM2114M	Q 871	(A,143,15) Transistor	2SD1760F5
IC 203	(A,81,78) IC	NJM2114M	Q 872	(B,146,14) Transistor	UMD3N
IC 251	(B,47,72) IC	NJM4558MD	Q 911	(A,89,109) Transistor	UMX1N
IC 261	(B,107,73) IC	NJM4558MD	Q 921	(A,81,120) Transistor	DTC114EU
IC 281	(A,112,92) IC	PM9009A	Q 931	(B,66,125) Transistor	2SA1235A-12
IC 331	(A,98,134) IC	PAL007B	D 281	(A,111,106) Diode	RB520S-30
IC 401	(B,147,73) IC	NJM2885DL1-33	D 282	(A,107,102) Diode	1SS400
IC 431	(A,155,90) IC	NJM4558V	D 283	(A,112,102) Diode	RB521S-30
IC 491	(A,86,28) IC	TC7SU04FU	D 284	(B,112,98) Diode	RB521S-30
IC 492	(A,80,28) IC	TC7S04FU	D 381	(A,103,125) Diode	DAN202U
IC 493	(A,84,31) IC	TC7SH08FUS1	D 382	(A,12,90) Diode	HZS9L(A2)
IC 541	(A,27,116) IC	BA3121F	D 383	(A,120,117) Diode	1SS133
IC 561	(A,140,44) IC	NJM4558V	D 401	(A,144,93) Diode	1SR154-400
IC 562	(A,140,53) IC	NJM4558V	D 402	(A,144,89) Diode	1SR154-400

Circuit Symbol and No.**Part No.****Circuit Symbol and No.****Part No.**

D 403	(A,144,86) Diode	1SR154-400	L 404	(A,149,99) Inductor	LAU2R2K
D 431	(B,150,88) Diode	UDZS5R6(B)	L 471	(A,99,51) Ferri-Inductor	LAU100K
D 461	(A,18,62) Diode	HZS7L(C3)	L 492	(B,76,24) Inductor	CTF1379
A D 521	(B,119,9) Diode	RSB6R8S	L 493	(B,91,27) Inductor	CTF1389
D 525	(B,124,29) Diode	HZU3R9(B1)	L 494	(A,89,32) Inductor	CTF1389
D 541	(B,37,132) Diode	UDZS6R8(B)	L 521	(B,130,33) Inductor	LCTC1R0K1608
D 542	(B,39,125) Diode	UDZS6R8(B)	L 541	(B,35,128) Inductor	CTF1334
D 543	(B,35,132) Diode	UDZS6R8(B)	L 542	(B,39,120) Inductor	CTF1334
D 544	(B,43,129) Diode	UDZS6R8(B)	L 543	(A,41,119) Inductor	LCTAW2R2J2520
D 561	(B,147,40) Diode	UDZS3R9(B)	L 601	(A,137,92) Ferri-Inductor	LAU100K
D 562	(A,146,68) Diode	RB706F-40	L 671	(B,96,17) Inductor	LCTC4R7K1608
D 581	(A,8,114) Diode	DAN202U	L 672	(B,83,17) Inductor	LCTC4R7K1608
D 582	(A,8,119) Diode	DAP202U	L 731	(B,46,28) Chip Coil	LCTAW1R0J2520
D 591	(A,65,105) Diode	HZS11L(B2)	L 732	(B,50,28) Chip Coil	LCTAW1R0J2520
B D 631	(A,136,84) Diode	MA111	L 841	(A,21,39) Inductor	CTF1660
D 661	(A,119,42) Diode	MA111	L 842	(A,18,25) Inductor	LCTAW2R2J3225
D 701	(A,22,90) Diode	HZS9L(B2)	L 931	(B,59,130) Inductor	LCTAW2R2J2520
D 711	(A,18,76) Diode	HZS9L(B3)	X 491	(A,82,22) Crystal Resonator 16.934 MHz	CSS1620
D 712	(B,22,87) Diode	DAN202U	X 601	(A,129,79) Crystal Resonator 15.000 MHz	CSS1653
D 751	(A,33,88) Diode	HZS6L(B3)	S 651	(A,10,65) Switch(MODE)	CSH1051
D 752	(A,42,90) Diode	RB551V-30	VR281	(A,103,98) Semi-fixed 15 kΩ(B)	CCP1397
D 801	(A,129,24) Diode Network	DA204U	VR521	(A,145,54) Semi-fixed 10 kΩ(B)	CCP1448
D 802	(A,134,20) Diode Network	DA204U	△FU351	(A,150,128) Fuse 3 A	CEK1286
D 803	(A,134,15) Diode Network	DA204U	MIC521	(A,148,45) Microphone	CPM1068
C D 804	(A,134,23) Diode Network	DA204U	Y 401	(A,165,146) FM/AM Tuner Unit	CWE1801
D 805	(A,134,17) Diode Network	DA204U	BZ601	(A,56,9) Buzzer	CPV1062
D 806	(A,129,22) Diode Network	DA204U			
D 807	(A,129,19) Diode Network	DA204U			
D 821	(A,34,18) Diode	HZS11L(A2)			
D 823	(A,40,18) Diode	HZS7L(B3)			
D 831	(A,88,6) LED	NECWB205-5780			
D 841	(A,25,49) Diode	HZS9L(C2)			
D 842	(B,29,37) Diode	RB411D			
D 871	(A,152,15) Diode	HZS7L(B2)			
D 872	(A,145,23) Diode	1SS133			
D 873	(A,141,23) Diode	1SS133			
D 901	(A,53,128) Diode	MPG06G-6415G50			
D 902	(A,49,126) Diode	MPG06G-6415G50			
D 911	(A,90,117) Diode	HZS7L(C3)			
D 912	(A,93,117) Diode	HZS7L(A1)			
D 921	(A,86,117) Diode	MPG06G-6415G50			
D 931	(B,57,125) Diode	DAN202U			
D 941	(A,68,113) Diode	MPG06G-6415G50			
D 942	(A,72,113) Diode	MPG06G-6415G50			
D 971	(B,143,85) Diode Network	DA204U			
D 972	(B,143,94) Diode	HZU7L(C2)			
E ZNR401	(A,156,141) Surge Protector	RCCA-201Q31UA-PI			
L 101	(B,37,111) Inductor	LCTC3R3K2125			
L 121	(B,57,24) Inductor	CTF1379			
L 122	(B,61,16) Inductor	CTF1379			
L 161	(A,54,44) Inductor	CTF1379			
L 162	(A,53,50) Inductor	CTF1379			
L 171	(A,72,44) Inductor	CTF1379			
L 172	(A,70,50) Inductor	CTF1379			
L 181	(A,88,44) Inductor	CTF1379			
L 182	(A,87,50) Inductor	CTF1379			
F L 281	(A,89,88) Inductor	LCTAW2R2J2520			
L 401	(B,162,144) Chip Coil	LCTAW4R7J2520			
L 402	(A,150,113) Inductor	LAU1R0K			
L 403	(A,146,99) Inductor	LAU1R0K			
L 404	(A,149,99) Inductor	LAU2R2K			
L 471	(A,99,51) Ferri-Inductor	LAU100K			
L 492	(B,76,24) Inductor	CTF1379			
L 493	(B,91,27) Inductor	CTF1389			
L 494	(A,89,32) Inductor	CTF1389			
L 521	(B,130,33) Inductor	LCTC1R0K1608			
L 541	(B,35,128) Inductor	CTF1334			
L 542	(B,39,120) Inductor	CTF1334			
L 543	(A,41,119) Inductor	LCTAW2R2J2520			
L 601	(A,137,92) Ferri-Inductor	LAU100K			
L 671	(B,96,17) Inductor	LCTC4R7K1608			
L 672	(B,83,17) Inductor	LCTC4R7K1608			
L 731	(B,46,28) Chip Coil	LCTAW1R0J2520			
L 732	(B,50,28) Chip Coil	LCTAW1R0J2520			
L 841	(A,21,39) Inductor	CTF1660			
L 842	(A,18,25) Inductor	LCTAW2R2J3225			
L 931	(B,59,130) Inductor	LCTAW2R2J2520			
X 491	(A,82,22) Crystal Resonator 16.934 MHz	CSS1620			
X 601	(A,129,79) Crystal Resonator 15.000 MHz	CSS1653			
S 651	(A,10,65) Switch(MODE)	CSH1051			
VR281	(A,103,98) Semi-fixed 15 kΩ(B)	CCP1397			
VR521	(A,145,54) Semi-fixed 10 kΩ(B)	CCP1448			
△FU351	(A,150,128) Fuse 3 A	CEK1286			
MIC521	(A,148,45) Microphone	CPM1068			
Y 401	(A,165,146) FM/AM Tuner Unit	CWE1801			
BZ601	(A,56,9) Buzzer	CPV1062			

RESISTORS

R 101	(B,28,133)	RS1/16S150J
R 102	(B,26,133)	RS1/16S470J
R 103	(B,30,133)	RS1/16S101J
R 104	(B,24,133)	RS1/16S101J
R 105	(A,17,130)	RS1/16S181J
R 106	(A,17,122)	RS1/16S181J
R 107	(A,17,123)	RS1/16S223J
R 108	(A,17,129)	RS1/16S223J
R 109	(A,17,125)	RS1/16S102J
R 110	(A,29,120)	RS1/16S222J
R 111	(A,17,127)	RS1/16S102J
R 112	(B,35,111)	RS1/16S102J
R 113	(A,21,113)	RS1/16S332J
R 114	(A,21,115)	RS1/16S562J
R 115	(B,46,114)	RS1/16S472J
R 116	(B,48,114)	RS1/16S472J
R 121	(A,75,20)	RS1/16S101J
R 122	(A,77,20)	RS1/16S101J
R 123	(A,78,20)	RS1/16S101J
R 124	(A,69,17)	RS1/16S681J
R 125	(A,68,17)	RS1/16S681J
R 126	(A,61,33)	RS1/16S104J
R 127	(A,61,35)	RS1/16S104J
R 128	(A,59,26)	RS1/16S153J
R 161	(A,48,44)	RAB4C101J
R 162	(A,45,44)	RS1/16S473J
R 163	(A,51,44)	RS1/16S101J
R 164	(A,42,44)	RAB4C101J
R 165	(A,52,44)	RS1/16S473J
R 171	(A,65,44)	RAB4C101J
R 172	(A,62,44)	RS1/16S473J

<u>Circuit Symbol and No.</u>		<u>Part No.</u>	<u>Circuit Symbol and No.</u>		<u>Part No.</u>
R 173	(A,68,44)	RS1/16S101J	R 287	(A,123,93)	RS1/16S0R0J
R 174	(A,59,44)	RAB4C101J	R 288	(A,123,94)	RS1/16S0R0J
R 175	(A,70,44)	RS1/16S473J	R 289	(A,123,96)	RS1/16S0R0J
R 181	(A,82,44)	RAB4C101J	R 290	(A,123,98)	RS1/16S0R0J
R 182	(A,79,44)	RS1/16S473J	R 291	(A,105,99)	RS1/16S103J
R 183	(A,85,44)	RS1/16S101J	R 292	(A,118,102)	RAB4C101J
R 184	(A,76,44)	RAB4C101J	R 331	(A,94,125)	RS1/16S103J
R 185	(A,86,44)	RS1/16S473J	R 332	(A,113,125)	RS1/16S331J
R 201	(A,51,69)	RN1/16SE1502D	R 333	(A,110,125)	RS1/16S103J
R 202	(A,57,69)	RN1/16SE1502D	R 334	(A,111,125)	RS1/16S103J
R 203	(A,49,69)	RN1/16SE1502D	R 351	(B,148,118)	RS1/16S390J
R 204	(A,56,69)	RN1/16SE1502D	R 352	(B,145,118)	RS1/16S390J
R 205	(A,52,71)	RN1/16SE1502D	R 353	(A,148,123)	RS1/16S223J
R 206	(A,59,71)	RN1/16SE1502D	R 354	(A,145,118)	RS1/16S223J
R 207	(A,48,69)	RN1/16SE1502D	R 359	(B,140,118)	RS1/16S390J
R 208	(A,54,69)	RN1/16SE1502D	R 360	(B,137,118)	RS1/16S390J
R 209	(A,51,73)	RN1/16SE6800D	R 361	(A,140,123)	RS1/16S223J
R 210	(A,57,73)	RN1/16SE6800D	R 362	(A,137,118)	RS1/16S223J
R 211	(A,49,73)	RN1/16SE6800D	R 367	(B,135,118)	RS1/16S390J
R 212	(A,56,73)	RN1/16SE6800D	R 368	(B,132,118)	RS1/16S390J
R 213	(A,65,69)	RN1/16SE1502D	R 369	(A,131,123)	RS1/16S223J
R 214	(A,71,69)	RN1/16SE1502D	R 370	(A,128,118)	RS1/16S223J
R 215	(A,63,69)	RN1/16SE1502D	R 381	(A,119,122)	RS1/16S473J
R 216	(A,70,69)	RN1/16SE1502D	R 382	(B,29,104)	RS1/16S103J
R 217	(A,66,71)	RN1/16SE1502D	R 383	(B,31,104)	RS1/16S473J
R 218	(A,73,71)	RN1/16SE1502D	R 384	(A,120,122)	RS1/16S221J
R 219	(A,62,69)	RN1/16SE1502D	R 401	(A,151,85)	RS1/16S471J
R 220	(A,68,69)	RN1/16SE1502D	R 402	(B,168,136)	RS1/16S681J
R 221	(A,65,73)	RN1/16SE6800D	R 403	(B,168,134)	RS1/16S681J
R 222	(A,71,73)	RN1/16SE6800D	R 404	(B,168,131)	RS1/16S681J
R 223	(A,63,73)	RN1/16SE6800D	R 405	(B,168,128)	RS1/16S681J
R 224	(A,70,73)	RN1/16SE6800D	R 406	(B,168,126)	RS1/16S681J
R 225	(A,79,69)	RN1/16SE1502D	R 407	(B,168,124)	RS1/16S681J
R 226	(A,85,69)	RN1/16SE1502D	R 408	(B,162,109)	RS1/16S681J
R 227	(A,77,69)	RN1/16SE1502D	R 409	(A,153,99)	RS1/16S103J
R 228	(A,84,69)	RN1/16SE1502D	R 410	(A,153,97)	RAB4C223J
R 229	(A,80,71)	RN1/16SE1502D	R 431	(B,160,94)	RS1/16S182J
R 230	(A,87,71)	RN1/16SE1502D	R 432	(B,160,85)	RS1/16S182J
R 231	(A,76,69)	RN1/16SE1502D	R 433	(B,157,94)	RS1/16S821J
R 232	(A,82,69)	RN1/16SE1502D	R 434	(B,157,86)	RS1/16S821J
R 233	(A,79,73)	RN1/16SE6800D	R 437	(A,159,94)	RS1/16S103J
R 234	(A,85,73)	RN1/16SE6800D	R 438	(A,159,85)	RS1/16S103J
R 235	(A,77,73)	RN1/16SE6800D	R 439	(A,159,91)	RS1/16S103J
R 236	(A,84,73)	RN1/16SE6800D	R 440	(A,159,88)	RS1/16S103J
R 251	(A,45,84)	RS1/16S332J	R 441	(A,152,91)	RS1/16S103J
R 252	(A,45,81)	RS1/16S563J	R 442	(A,152,88)	RS1/16S103J
R 253	(A,43,84)	RS1/16S682J	R 443	(A,151,93)	RS1/16S103J
R 254	(A,43,81)	RS1/16S473J	R 444	(A,151,86)	RS1/16S103J
R 261	(B,113,74)	RS1/16S223J	R 445	(B,147,86)	RS1/16S681J
R 262	(B,100,75)	RS1/16S223J	R 461	(B,17,69)	RS1/4SA561J
R 263	(B,115,71)	RS1/16S153J	R 471	(B,110,49)	RS1/16S682J
R 264	(B,100,71)	RS1/16S153J	R 472	(B,108,49)	RS1/16S682J
R 267	(B,113,67)	RS1/16S101J	R 473	(B,106,49)	RS1/16S682J
R 268	(B,100,67)	RS1/16S101J	R 474	(B,104,49)	RS1/16S682J
R 281	(A,123,87)	RS1/16S390J	R 475	(B,104,46)	RS1/16S221J
R 282	(A,123,88)	RS1/16S390J	R 476	(B,104,44)	RS1/16S221J
R 283	(A,127,102)	RS1/16S390J	R 477	(B,106,42)	RS1/16S221J
R 284	(A,126,102)	RS1/16S390J	R 478	(B,106,40)	RS1/16S221J
R 285	(A,124,102)	RS1/16S390J	R 479	(B,106,38)	RS1/16S221J
R 286	(A,123,102)	RS1/16S390J	R 480	(B,106,36)	RS1/16S681J

Circuit Symbol and No.**Part No.****Circuit Symbol and No.****Part No.**

	R 481	(B,106,34)	RS1/16S473J	R 633	(A,131,52)	RAB4C681J
	R 482	(B,106,32)	RS1/16S473J	R 634	(B,132,49)	RS1/16S104J
	R 483	(B,117,47)	RS1/16S102J	R 635	(A,129,39)	RS1/16S104J
A	R 491	(A,84,26)	RN1/16SE1003D	R 636	(A,131,39)	RS1/16S104J
	R 492	(A,81,26)	RS1/16S152J	R 642	(B,125,47)	RS1/16S104J
	R 493	(A,79,31)	RS1/16S101J	R 651	(B,12,68)	RS1/16S0R0J
	R 494	(A,84,33)	RS1/16S103J	R 653	(B,12,62)	RS1/16S473J
	R 495	(A,94,32)	RS1/16S472J	R 661	(A,117,43)	RS1/16S183J
	R 497	(B,77,29)	RS1/16S0R0J	R 663	(B,119,38)	RS1/16S473J
	R 522	(A,118,24)	RS1/16S0R0J	R 664	(A,119,49)	RS1/16S102J
	R 523	(B,122,28)	RS1/16S104J	R 665	(B,119,40)	RS1/16S222J
	R 524	(B,121,30)	RS1/16S222J	R 671	(A,91,17)	RS1/16S681J
	R 525	(B,115,31)	RS1/16S683J	R 672	(A,90,14)	RS1/16S681J
	R 526	(B,115,28)	RS1/16S153J	R 673	(A,100,23)	RAB4C681J
B	R 527	(B,112,31)	RS1/16S682J	R 674	(A,84,37)	RAB4C272J
	R 528	(B,114,25)	RS1/16S152J	R 675	(B,85,37)	RAB4C472J
	R 529	(B,127,33)	RS1/16S561J	R 676	(A,90,13)	RS1/16S473J
	R 531	(A,143,65)	RS1/16S683J	R 677	(A,100,20)	RS1/16S473J
	R 532	(B,127,13)	RS1/16S0R0J	R 701	(B,17,103)	RS1/16S471J
	R 541	(B,35,127)	RS1/16S101J	R 702	(B,19,103)	RS1/16S561J
	R 542	(B,42,119)	RS1/16S101J	R 705	(B,17,93)	RS1/16S473J
	R 543	(B,37,124)	RS1/16S223J	R 712	(B,19,82)	RS1/16S471J
	R 544	(B,42,115)	RS1/16S223J	R 713	(B,17,85)	RS1/16S471J
	R 545	(B,34,124)	RS1/16S102J	R 751	(A,32,103)	RS1/16S333J
C	R 546	(B,42,114)	RS1/16S102J	R 752	(A,32,105)	RS1/16S681J
	R 561	(B,144,51)	RS1/16S103J	R 753	(A,31,103)	RS1/16S821J
	R 562	(B,144,56)	RS1/16S153J	R 801	(B,125,25)	RS1/16S222J
	R 563	(B,144,48)	RS1/16S153J	R 802	(B,127,17)	RS1/16S222J
	R 564	(B,140,59)	RS1/16S103J	R 803	(A,130,14)	RS1/16S222J
	R 565	(B,140,48)	RS1/16S223J	R 804	(B,125,23)	RS1/16S222J
	R 566	(B,144,49)	RS1/16S102J	R 805	(A,129,15)	RS1/16S222J
	R 567	(B,140,56)	RS1/16S563J	R 806	(B,125,21)	RS1/16S222J
	R 568	(B,144,54)	RS1/16S101J	R 807	(A,128,17)	RS1/16S222J
	R 569	(B,140,45)	RS1/16S152J	R 808	(B,137,51)	RS1/16S104J
D	R 570	(B,138,45)	RS1/16S152J	R 809	(B,135,23)	RS1/16S104J
	R 571	(B,143,46)	RS1/16S104J	R 821	(A,26,13)	RS1/16S221J
	R 572	(B,143,44)	RS1/16S222J	R 822	(A,26,15)	RS1/16S271J
	R 573	(A,144,68)	RS1/16S104J	R 823	(A,42,15)	RS1/16S473J
	R 574	(A,149,68)	RS1/16S104J	R 831	(A,66,6)	RS1/16S181J
	R 581	(A,6,115)	RS1/16S103J	R 841	(A,14,52)	RS1/4SA471J
	R 582	(A,10,115)	RS1/16S104J	R 842	(A,30,44)	RS1/16S1R0J
	R 583	(A,10,118)	RS1/16S102J	R 843	(A,29,42)	RS1/16S391J
	R 584	(A,6,118)	RS1/16S102J	R 844	(A,37,37)	RD1/4PU332J
	R 591	(A,73,108)	RS1/16S1R0J	R 845	(A,35,37)	RD1/4PU332J
E	R 592	(A,56,104)	RS1/16S391J	R 846	(A,34,42)	RS1/16S121J
	R 601	(B,134,78)	RS1/16S0R0J	R 861	(A,64,12)	RS1/16S103J
	R 602	(B,126,73)	RS1/16S473J	R 862	(A,67,12)	RS1/16S222J
	R 603	(A,114,74)	RS1/16S473J	R 863	(A,73,11)	RS1/16S473J
	R 606	(B,65,129)	RS1/16S473J	R 871	(B,140,14)	RS1/16S471J
	R 607	(B,136,58)	RS1/16S104J	R 872	(B,142,14)	RS1/16S471J
	R 608	(B,136,60)	RS1/16S104J	R 873	(A,144,39)	RS1/16S102J
	R 609	(B,136,56)	RS1/16S104J	R 874	(A,144,38)	RS1/16S102J
	R 610	(B,137,62)	RS1/16S473J	R 875	(B,146,31)	RS1/16S102J
	R 611	(B,137,69)	RS1/16S681J	R 876	(B,146,33)	RS1/16S102J
	R 612	(B,137,67)	RS1/16S681J	R 877	(B,147,36)	RS1/16S104J
	R 613	(B,137,65)	RS1/16S681J	R 878	(B,145,36)	RS1/16S104J
F	R 614	(B,127,27)	RS1/16S473J	R 911	(A,86,111)	RS1/16S473J
	R 615	(A,64,17)	RS1/16S102J	R 912	(A,89,111)	RS1/16S104J
	R 616	(B,132,93)	RS1/16S473J	R 913	(B,67,140)	RS1/16S472J
	R 631	(B,132,45)	RS1/16S104J	R 914	(A,92,109)	RS1/16S473J

<u>Circuit Symbol and No.</u>		<u>Part No.</u>	<u>Circuit Symbol and No.</u>		<u>Part No.</u>
R 915	(A,92,111)	RS1/16S103J	C 186	(A,87,54)	CCSRCH102J50
R 921	(A,83,122)	RS1/16S103J	C 187	(A,87,56)	CKSRYB105K6R3
R 931	(B,57,128)	RS1/16S153J	C 201	(A,47,60) 10 µF/16 V	CCH1532
R 932	(B,60,125)	RS1/16S472J			
R 933	(B,62,125)	RS1/16S472J	C 202	(A,54,60) 10 µF/16 V	CCH1532
R 934	(B,65,127)	RS1/16S102J	C 203	(A,47,65) 10 µF/16 V	CCH1532
R 941	(A,75,110)	RS1/16S103J	C 204	(A,54,65) 10 µF/16 V	CCH1532
R 971	(B,146,91)	RS1/16S102J	C 205	(A,52,73)	CCSRCH221J50
R 972	(B,143,90)	RS1/16S153J	C 206	(A,59,73)	CCSRCH221J50
R 973	(B,143,92)	RS1/16S102J	C 207	(A,48,73)	CCSRCH221J50

CAPACITORS

C 101	(B,20,133)	CKSRYB104K16	C 212	(A,69,60) 10 µF/16 V	CCH1532
C 105	(B,46,104)	CKSRYB104K16	C 213	(A,62,65) 10 µF/16 V	CCH1532
C 121	(B,73,25)	CKSRYB104K16	C 214	(A,69,65) 10 µF/16 V	CCH1532
C 122	(B,71,20)	CKSRYB104K16	C 215	(A,66,73)	CCSRCH221J50
C 123	(B,66,32)	CKSRYB104K16	C 216	(A,73,73)	CCSRCH221J50
C 124	(B,67,20)	CKSRYB104K16	C 217	(A,62,73)	CCSRCH221J50
C 125	(B,64,32)	CKSRYB104K16	C 218	(A,68,73)	CCSRCH221J50
C 126	(A,57,22)	CKSYB106K6R3	C 219	(A,64,71)	CCSRCH821J50
C 127	(B,59,27)	CKSYB106K6R3	C 220	(A,70,71)	CCSRCH821J50
C 128	(B,59,30)	CKSYB106K6R3	C 221	(A,77,60) 10 µF/16 V	CCH1532
C 129	(A,59,23)	CKSRYB104K16	C 222	(A,84,60) 10 µF/16 V	CCH1532
C 130	(A,57,27)	CKSRYB104K16	C 223	(A,77,65) 10 µF/16 V	CCH1532
C 131	(A,57,25)	CKSRYB682K50	C 224	(A,84,65) 10 µF/16 V	CCH1532
C 132	(A,57,30)	CKSRYB104K16	C 225	(A,80,73)	CCSRCH221J50
C 134	(B,54,25)	CKSRYB103K50	C 226	(A,87,73)	CCSRCH221J50
C 135	(B,62,19)	CKSQYB225K10	C 227	(A,76,73)	CCSRCH221J50
C 136	(B,64,18)	CKSRYB103K50	C 228	(A,82,73)	CCSRCH221J50
C 137	(B,54,23)	CKSRYB473K25	C 229	(A,78,71)	CCSRCH821J50
C 138	(B,60,18)	CKSRYB473K25	C 230	(A,84,71)	CCSRCH821J50
C 139	(B,74,20)	CCSRCH470J50	C 231	(B,52,78)	CKSRYB104K16
C 140	(B,76,20)	CCSRCH470J50	C 232	(B,66,78)	CKSRYB104K16
C 141	(B,78,20)	CCSRCH470J50	C 233	(B,80,78)	CKSRYB104K16
C 142	(B,71,35)	CCSRCH470J50	C 251	(A,44,77) 10 µF/16 V	CCH1532
C 143	(B,61,42)	CCSRCH470J50	C 252	(A,41,82)	CKSYB106K6R3
C 144	(B,46,42)	CCSRCH470J50	C 253	(B,47,68)	CKSRYB104K16
C 145	(B,63,42)	CCSRCH470J50	C 261	(B,113,71)	CCSRCH220J50
C 146	(B,62,37)	CCSRCH470J50	C 262	(B,98,71)	CCSRCH220J50
C 147	(B,63,53)	CKSRYB102K50	C 263	(B,107,63)	CKSRYB332K50
C 161	(A,56,44)	CCSRCH102J50	C 264	(B,101,63)	CKSRYB332K50
C 162	(A,54,46)	CKSYB106K6R3	C 265	(A,109,62)	CEAL2R2M50
C 163	(A,53,48)	CCSRCH102J50	C 266	(A,103,62)	CEAL2R2M50
C 164	(A,56,50)	CCSRCH102J50	C 267	(B,110,67)	CKSQYB225K10
C 165	(A,54,52)	CKSYB106K6R3	C 268	(B,103,67)	CKSQYB225K10
C 166	(A,53,54)	CCSRCH102J50	C 269	(B,107,69)	CKSRYB104K25
C 167	(A,53,56)	CKSRYB105K6R3	C 281	(A,94,84)	CEJQ2R2M50
C 171	(A,73,44)	CCSRCH102J50	C 282	(A,99,84)	CEJQ2R2M50
C 172	(A,71,46)	CKSYB106K6R3	C 283	(A,92,78)	CEJQ2R2M50
C 173	(A,70,48)	CCSRCH102J50	C 284	(A,97,78)	CEJQ2R2M50
C 174	(A,73,50)	CCSRCH102J50	C 285	(A,103,92)	CKSQYB225K10
C 175	(A,71,52)	CKSYB106K6R3	C 286	(A,103,90)	CKSQYB225K10
C 176	(A,70,54)	CCSRCH102J50	C 287	(B,110,37)	CKSQYB225K10
C 177	(A,70,56)	CKSRYB105K6R3	C 288	(B,111,90)	CKSRYB104K50
C 181	(A,90,44)	CCSRCH102J50	C 289	(B,111,88)	CKSRYB104K50
C 182	(A,88,46)	CKSYB106K6R3	C 290	(A,110,78)	CEAL100M16
C 183	(A,87,48)	CCSRCH102J50	C 291	(A,104,78)	CEAL100M16
C 184	(A,90,50)	CCSRCH102J50	C 292	(A,50,83) 10 µF/16 V	CCH1563
C 185	(A,88,52)	CKSYB106K6R3	C 293	(A,57,83) 10 µF/16 V	CCH1563

Circuit Symbol and No.**Part No.****Circuit Symbol and No.****Part No.**

C 294 (A,64,84) 10 μ F/16 V
 C 295 (A,70,84) 10 μ F/16 V
 C 296 (A,78,84) 10 μ F/16 V

CCH1563
 CCH1563
 CCH1563

C 492 (B,78,32)
 C 494 (B,80,24)
 C 495 (B,78,24)

CKSRYB103K50
 CKSQYB225K10
 CKSRYB103K50

A

C 297 (A,84,84) 10 μ F/16 V
 C 298 (A,95,99) 56 μ F/10 V
 C 299 (A,112,104)
 C 300 (A,95,91) 56 μ F/10 V
 C 301 (A,109,102)

CCH1563
 CCH1701
 CKSQYB474K16
 CCH1701
 CKSQYB475K10

C 496 (A,84,25)
 C 497 (A,80,25)
 C 498 (A,81,32)
 C 499 (A,81,31)
 C 502 (B,88,26)

CCSRCH100D50
 CCSRCH100D50
 CCSRCH220J50
 CCSRCH470J50
 CKSRYB103K50

C 302 (A,112,101)
 C 303 (B,107,95)
 C 331 (A,109,117)
 C 332 (A,97,117)
 C 333 (A,115,117)

CKSQYB105K16
 CKSRYB104K16
 CFTNA274J50
 CFTNA274J50
 CFTNA274J50

C 503 (B,88,28)
 C 504 (B,88,30)
 C 505 (A,88,34)
 C 506 (A,89,34)
 C 521 (B,121,10)

CKSRYB103K50
 CKSQYB225K10
 CCSRCH151J50
 CCSRCH390J50
 CKSRYB221K50

B

C 334 (A,103,117)
 C 335 (A,71,127) 3 300 μ F/16 V
 C 336 (A,129,128) 10 μ F/16 V
 C 337 (A,100,125)
 C 338 (A,98,125)

CFTNA274J50
 CCH1547
 CCH1532
 CKSQYB225K10
 CKSQYB225K10

C 529 (B,120,28)
 C 530 (B,118,28)
 C 531 (A,135,37)
 C 532 (B,133,31)
 C 541 (B,39,134)

CCSRCH681J50
 CKSQYB225K10
 CEJQ101M6R3
 CKSRYB103K50
 CKSRYB221K50

C 339 (B,105,135)
 C 340 (A,123,127)
 C 351 (A,138,100) 10 μ F/16 V
 C 352 (A,132,100) 10 μ F/16 V
 C 355 (A,138,106) 10 μ F/16 V

CKSRYB104K16
 CEHAR330M10
 CCH1532
 CCH1532
 CCH1532

C 542 (B,44,124)
 C 543 (B,35,124)
 C 544 (B,42,117)
 C 545 (B,31,118)
 C 546 (B,38,115)

CKSRYB221K50
 CKSRYB471K50
 CKSRYB471K50
 CKSQYB225K10
 CKSQYB225K10

C

C 356 (A,132,106) 10 μ F/16 V
 C 359 (A,125,109) 10 μ F/16 V
 C 360 (A,118,109) 10 μ F/16 V
 C 381 (A,125,115)
 C 401 (B,168,138)

CCH1532
 CCH1532
 CCH1532
 CEJQ220M16
 CKSRYB103K50

C 547 (B,43,134)
 C 548 (B,47,117)
 C 549 (A,34,118)
 C 550 (B,25,118)
 C 551 (B,25,116)

CKSRYB104K16
 CKSRYB471K50
 CEAL220M16
 CKSRYB105K10
 CKSRYB104K16

C 402 (A,156,113)
 C 403 (B,154,110)
 C 404 (B,152,109)
 C 405 (B,157,82)
 C 406 (A,157,80)

CEAL101M10
 CKSRYB104K16
 CKSQYB475K10
 CKSRYB103K50
 CEJQ101M10

C 561 (B,140,50)
 C 562 (A,145,59)
 C 563 (A,151,55)
 C 564 (A,137,52)
 C 565 (B,143,40)

CKSRYB105K10
 CEALNP4R7M16
 CEALNP4R7M16
 CKSRYB105K10
 CKSRYB474K10

D

C 407 (A,150,80)
 C 408 (B,150,78)
 C 409 (B,143,68)
 C 410 (B,151,83)
 C 412 (B,162,105)

CEJQ220M25
 CKSRYB103K50
 CKSRYB103K50
 CKSYB475K16
 CKSYB475K16

C 566 (B,141,40)
 C 567 (B,140,54)
 C 568 (B,139,40)
 C 569 (A,151,60)
 C 570 (A,137,44)

CKSRYB104K16
 CCSRCH101J50
 CKSRYB105K10
 CEAL100M16
 CKSRYB105K10

C 413 (B,162,101)
 C 414 (B,162,111)
 C 415 (A,150,106)
 C 416 (A,157,106)
 C 417 (B,143,103)

CKSRYB103K50
 CKSRYB103K50
 CEJQ470M10
 CEJQ470M10
 CKSRYB102K50

C 571 (B,145,40)
 C 572 (B,146,45)
 C 591 (A,69,104)
 C 592 (A,70,108)
 C 593 (A,62,102)

CKSRYB105K6R3
 CKSRYB105K6R3
 CEJQ100M16
 CKSRYB103K50
 CKSRYB103K50

E

C 431 (B,163,91)
 C 432 (B,163,88)
 C 433 (A,158,94)
 C 434 (A,158,85)
 C 435 (A,158,91)

CKSRYB222K50
 CKSRYB222K50
 CKSRYB474K10
 CKSRYB474K10
 CCSRCH470J50

C 602 (B,138,94)
 C 603 (A,136,88)
 C 604 (B,126,82)
 C 605 (B,131,82)
 C 606 (B,137,64)

CKSRYB103K50
 CEJQ4R7M35
 CCSRCH180J50
 CCSRCH180J50
 CCSRCH470J50

C 436 (A,158,88)
 C 437 (A,151,91)
 C 438 (A,151,88)
 C 439 (A,149,91)
 C 440 (A,149,88)

CCSRCH470J50
 CCSRCH470J50
 CCSRCH470J50
 CKSRYB474K10
 CKSRYB474K10

C 631 (B,132,48)
 C 632 (A,139,79)
 C 661 (A,118,45)
 C 662 (B,119,36)
 C 671 (B,96,15)

CKSRYB104K16
 CEJQ101M16
 CKSRYB105K10
 CKSRYB104K16
 CKSRYB104K16

F

C 441 (B,153,86)
 C 442 (B,151,92)
 C 461 (B,18,60)
 C 462 (B,20,69)
 C 463 (A,22,69)

CKSRYB105K10
 CKSRYB105K10
 CKSRYB473K50
 CKSRYB102K50
 CEJQ101M10

C 672 (B,83,16)
 C 701 (A,21,95)
 C 702 (B,21,93)
 C 703 (A,22,105)
 C 704 (B,12,96)

CKSRYB104K16
 CEJQ101M16
 CKSRYB103K50
 CEJQ221M10
 CKSRYB102K50

C 473 (A,98,57)
 C 491 (B,80,32)

CEJQ101M10
 CKSQYB225K10

C 711 (A,23,83)
 C 712 (B,20,75)

CEJQ221M10
 CKSRYB472K50

5		6		7		8	
<u>Circuit Symbol and No.</u>		<u>Part No.</u>		<u>Circuit Symbol and No.</u>		<u>Part No.</u>	
C 713	(A,24,76)	CEJQ2R2M50		Q 1832	(A,28,33) Transistor(UC)	UMD22N	
C 714	(B,12,82)	CKSRYB102K50		Q 1833	(A,131,33) Transistor	DTC114EU	
C 721	(A,38,68) 47 μF/16 V	CCH1533		Q 1861	(A,71,23) Transistor	2SC4617	A
C 722	(A,35,73)	CKSRYB104K16		Q 1862	(A,92,21) Transistor	2SD1664	
C 723	(A,37,79)	CKSRYB104K16		D 1801	(B,127,12) Diode	DAN202U	
C 724	(A,36,81)	CKSYB475K10		D 1802	(B,133,13) Diode	DAP202U	
C 731	(A,53,18)	CEAL220M6R3		D 1803	(B,30,12) Diode	RSB6R8S	
C 732	(B,55,17)	CKSRYB104K16		D 1804	(B,30,8) Diode	RSB6R8S	
C 733	(A,42,27)	CKSRYB104K16		D 1831	(A,33,21) LED(UC)	SML412BC5T(NP)	
C 734	(A,46,30)	CKSYB475K10		D 1832	(A,21,34) LED(UC)	SML412BC5T(NP)	
C 735	(B,45,34)	CCSRCH101J50		D 1833	(A,136,33) LED	SML-310LT(MN)	
C 736	(A,45,36) 100 μF/10 V	CCH1511		D 1834	(A,18,9) LED(UC)	SML412BC5T(NP)	
C 738	(B,53,34)	CCSRCH101J50		D 1835	(A,6,21) LED(UC)	SML412BC5T(NP)	
C 739	(A,53,36)	CEAL101M6R3		D 1836	(A,162,21) LED(UC)	SML412BC5T(NP)	B
C 751	(A,58,92)	CEAL470M6R3		D 1837	(A,135,21) LED(UC)	SML412BC5T(NP)	
C 752	(A,48,89)	CKSRYB103K50		D 1838	(A,150,33) LED(UC)	SML412BC5T(NP)	
C 753	(A,32,98)	CKSRYB472K50		D 1839	(A,147,9) LED(UC)	SML412BC5T(NP)	
C 754	(A,48,99) 0.1 F/5.5 V	CCL1050		D 1842	(A,159,38) LED(UC)	SML412BC5T(NP)	
C 821	(B,31,16)	CKSRYB473K25		D 1843	(A,18,34) LED	NECWB205-5780	
C 841	(A,22,47)	CKSRYB103K50		D 1844	(A,21,9) LED	NECWB205-5780	
C 842	(A,27,57)	CEJQ470M25		D 1845	(A,8,21) LED	NECWB205-5780	
C 843	(A,30,49)	CEAL101M10		D 1846	(A,32,21) LED	NECWB205-5780	
C 844	(A,31,42)	CKSRYB104K16		D 1847	(A,150,9) LED	NECWB205-5780	
C 845	(B,30,34)	CCSRCH331J50		D 1848	(A,147,33) LED	NECWB205-5780	
C 846	(B,33,37)	CKSRYB103K50		D 1849	(A,136,21) LED	NECWB205-5780	C
C 847	(A,25,29)	CEJQ470M25		D 1850	(A,160,21) LED	NECWB205-5780	
C 848	(A,18,30) 4.7 μF	CCG1111		D 1851	(A,157,38) LED	NECWB205-5780	
C 849	(A,35,29)	CEJQ470M25		D 1901	(B,41,26) Diode	1SS355	
C 850	(B,25,61)	CKSRYB474K10		L 1802	(B,38,10) Inductor(UC, ES)	CTF1379	
C 862	(A,70,11)	CKSRYB105K10		L 1803	(B,43,9) Inductor	CTF1379	
C 871	(B,150,14)	CKSRYB224K10		L 1804	(B,45,8) Inductor	CTF1379	
C 872	(B,150,25)	CKSRYB104K16		L 1861	(A,101,29) Inductor	CTF1617	
C 873	(A,150,22)	CEAL220M16		L 1902	(A,57,25) Inductor	CTF1617	
C 874	(B,148,28)	CKSRYB102K50		TH1861	(A,71,29) Thermistor	CCX1037	
C 875	(A,141,28)	CCSRCH101J50		X 1901	(B,47,23) Ceramic Resonator 16.000 MHz	CSS1616	D
C 876	(A,141,38)	CCSRCH101J50		S 1801	(A,136,10) Push Switch	CSG1155	
C 911	(B,65,140)	CKSRYB104K16		S 1811	(A,148,21) Switch(MULTI-CONTROL)	CSX1065	
C 921	(A,79,122)	CKSRYB105K10		S 1831	(A,20,21) Encoder(VOLUME)	CSD1104	
C 941	(A,83,115)	CKSRYB473K25		S 1832	(A,162,37) Push Switch	CSG1155	
C 942	(A,75,115)	CKSRYB104K16		S 1833	(A,6,33) Push Switch	CSG1155	
C 971	(B,143,88)	CKSRYB104K16		S 1834	(A,162,33) Push Switch	CSG1155	
				S 1835	(A,6,10) Push Switch	CSG1155	
				S 1836	(A,162,10) Push Switch	CSG1155	
				VR1861	(B,95,21) Semi-fixed 10 kΩ(B) OEL Unit	CCP1229 MXS8232	

B

Unit Number : CWS1389

Unit Name : Switch Unit

S 1	Switch(CLOSE)	CSN1051
S 2	Spring Switch(OPEN)	CSN1052

C

Unit Number :

Unit Name : Keyboard Unit

MISCELLANEOUS

IC 1902	(A,38,38) IC	GP1UX51RK
IC 1903	(B,59,24) IC	PEG179A
IC 1904	(A,50,19) IC	S-818A33AUC-BGN
IC 1905	(A,107,20) IC	PD8160A
Q 1831	(A,22,37) Transistor(UC)	UMD22N

RESISTORS

R 1802	(A,128,27)	RS1/16S222J
R 1803	(A,130,27)	RS1/16S222J
R 1804	(A,135,14)	RS1/16S104J
R 1805	(A,126,18)	RS1/16S103J
R 1812	(B,158,27)	RS1/16S473J
R 1813	(B,138,10)	RS1/16S473J
R 1814	(B,136,10)	RS1/16S822J
R 1815	(B,158,25)	RS1/16S102J
R 1816	(B,134,8)	RS1/16S332J
R 1817	(B,123,12)	RS1/16S102J
R 1818	(B,123,10)	RS1/16S473J
R 1819	(A,126,11)	RS1/16S103J

Circuit Symbol and No.**Part No.****Circuit Symbol and No.****Part No.**

R 1820 (B,133,8) RS1/16S222J
 R 1831 (B,30,32) (UC) RS1/16S241J
 R 1832 (A,7,26) (UC) RS1/16S241J

C 1837 (A,150,35) (UC) CKSRYF104Z50
 C 1838 (A,148,7) (UC) CKSRYF104Z50
 C 1841 (A,156,34) (UC) CKSRYF104Z50
 C 1842 (A,15,33) CKSRYF104Z50
 C 1843 (A,24,9) CKSRYF104Z50

R 1833 (A,131,29) RS1/16S181J
 R 1834 (A,132,21) (UC) RS1/16S101J
 R 1835 (B,151,8) (UC) RS1/16S561J
 R 1837 (B,158,13) (UC) RS1/16S392J
 R 1838 (B,158,12) (UC) RS1/16S272J

C 1844 (A,7,18) CKSRYF104Z50
 C 1845 (A,32,18) CKSRYF104Z50
 C 1846 (A,151,7) CKSRYF104Z50
 C 1847 (A,143,33) CKSRYF104Z50
 C 1848 (A,136,24) CKSRYF104Z50

R 1839 (A,23,7) RS1/16S271J
 R 1840 (B,32,16) RS1/16S271J
 R 1841 (B,153,27) RS1/16S271J
 R 1842 (A,162,17) RS1/16S271J
 R 1843 (B,158,39) RS1/16S332J

C 1849 (A,161,17) CKSRYF104Z50
 C 1850 (A,154,34) CKSRYF104Z50
 C 1864 (A,79,20) CKSRYB104K25
 C 1865 (A,84,17) CKSRYB104K25
 C 1866 (A,92,27) CKSRYB104K25

R 1844 (B,158,37) RS1/16S562J
 R 1845 (A,30,32) (EW5, ES) RS1/16S0R0J
 R 1846 (A,132,23) (UC) RS1/16S820J
 R 1861 (A,77,21) RS1/16S3902D
 R 1862 (A,71,25) RS1/16S1802D

C 1867 (A,87,19) CKSRYB104K25
 C 1902 (B,35,32) CSZSR100M16
 C 1903 (B,43,23) CKSRYB103K50
 C 1905 (B,44,21) CKSRYF104Z50
 C 1907 (A,50,15) CSZSR4R7M16

R 1863 (A,71,27) RS1/16S6802D
 R 1864 (A,91,16) RS1/16S392J
 R 1865 (A,66,33) RAB4C101J
 R 1866 (A,87,20) RS1/16S152J
 R 1902 (B,34,28) RS1/16S101J

C 1908 (A,54,14) CSZSR4R7M10
 C 1909 (A,54,31) CKSRYB103K50
 C 1910 (A,49,31) CSZSR4R7M10
 C 1911 (A,59,25) CKSRYB103K50
 C 1912 (A,109,29) CKSRYB103K50

R 1903 (B,36,29) RS1/16S103J
 R 1904 (B,125,10) RS1/16S103J
 R 1905 (B,39,32) RS1/16S2R2J
 R 1907 (B,48,26) RS1/16S473J
 R 1908 (B,47,28) RS1/16S102J

C 1913 (B,43,32) CCSRCH470J50
 C 1914 (A,60,28) CCSRCH470J50

R 1909 (B,47,30) RS1/16S102J
 R 1910 (B,41,21) RS1/16S154J
 R 1911 (B,48,17) RS1/16S104J
 R 1912 (A,51,22) RS1/16S222J
 R 1913 (A,49,25) RAB4C102J

D
Unit Number : CWX3381
Unit Name : CD Core Unit(S10.5COMP1)

MISCELLANEOUS

R 1914 (B,43,34) RS1/16S473J
 R 1915 (A,70,12) RS1/16S221J
 R 1916 (A,58,32) RAB4C473J
 R 1917 (A,64,25) RAB4C101J
 R 1918 (A,67,17) RAB4C101J

IC 201 (B,39,70) IC UPD63763CGJ
 IC 203 (A,12,16) IC NJM2886DL3-33
 IC 301 (A,28,18) IC BA5835FP
 IC 701 (A,32,48) IC PE5561A
 IC 704 (A,41,64) IC BR93L56RFVM-W

R 1919 (B,71,17) RAB4C101J
 R 1920 (B,76,31) RS1/16S101J
 R 1921 (A,66,28) RS1/16S101J
 R 1922 (B,65,8) RAB4C101J
 R 1923 (B,72,21) RAB4C101J

Q 101 (B,60,89) Transistor 2SA1577
 Q 701 (B,24,41) Transistor UN2111
 X 701 (A,24,37) Ceramic Resonator 4.000 MHz CSS1652
 S 901 (A,57,57) Switch(HOME) CSN1067
 S 903 (B,23,78) Switch(DSCSNS) CSN1067

R 1924 (B,77,24) RAB4C101J
 R 1925 (B,72,27) RAB4C101J
 R 1926 (B,81,32) RAB4C101J
 R 1927 (B,68,34) RAB4C101J

S 904 (B,42,87) Switch(12EJ) CSN1068
 S 905 (B,28,88) Switch(8EJ) CSN1068

RESISTORS**CAPACITORS**

C 1801 (A,115,31) CKSRYB104K25
 C 1804 (B,130,19) CCSRCH102J50
 C 1805 (A,116,34) CKSRYB104K25
 C 1806 (B,30,10) CKSRYB104K25
 C 1831 (A,33,18) (UC) CKSRYF104Z50

R 101 (B,61,92) RS1/10SR2R4J
 R 102 (B,63,92) RS1/10SR2R4J
 R 103 (B,63,89) RS1/10SR2R7J
 R 104 (A,52,73) RS1/16SS102J
 R 201 (B,44,57) RS1/16SS102J

C 1832 (A,19,35) (UC) CKSRYF104Z50
 C 1833 (A,13,9) (UC) CKSRYF104Z50
 C 1834 (A,6,15) (UC) CKSRYF104Z50
 C 1835 (A,162,25) (UC) CKSRYF104Z50
 C 1836 (A,133,18) (UC) CKSRYF104Z50

R 202 (A,38,62) RS1/16SS473J
 R 203 (A,37,62) RS1/16SS473J
 R 210 (A,33,62) RS1/16SS0R0J
 R 214 (A,46,79) RS1/16SS472J
 R 216 (A,46,81) RS1/16SS472J

R 221 (A,44,81) RS1/16SS103J
 R 222 (A,45,81) RS1/16SS103J

Circuit Symbol and No.**Part No.****Circuit Symbol and No.****Part No.**

R 225	(B,52,78)	RS1/16SS103J
R 226	(B,52,77)	RS1/16SS393J
R 227	(A,44,75)	RS1/16SS562J
R 228	(A,46,72)	RS1/16SS122J
R 229	(A,44,72)	RS1/16SS472J
R 232	(A,46,75)	RS1/16SS122J
R 237	(B,22,64)	RS1/16SS221J
R 238	(B,22,65)	RS1/16SS221J
R 239	(B,22,66)	RS1/16SS221J
R 241	(B,26,63)	RS1/16SS333J
R 243	(B,26,62)	RS1/16SS333J
R 245	(B,26,69)	RS1/16SS333J
R 248	(B,55,74)	RS1/16SS105J
R 307	(A,19,20)	RS1/16SS183J
R 308	(A,17,20)	RS1/16SS183J
R 309	(A,18,18)	RS1/16SS183J
R 310	(A,17,16)	RS1/16SS183J
R 701	(B,26,44)	RS1/16SS221J
R 707	(B,32,45)	RS1/16SS473J
R 709	(A,36,35)	RS1/16SS222J
R 710	(B,41,46)	RS1/16SS102J
R 712	(A,45,57)	RS1/16SS222J
R 713	(B,40,57)	RS1/16SS222J
R 716	(B,29,37)	RS1/16SS472J
R 724	(B,31,36)	RS1/16S473J
R 726	(B,23,47)	RS1/16SS103J
R 727	(B,31,42)	RS1/16SS473J
R 729	(B,20,48)	RS1/16SS223J
R 730	(B,20,46)	RS1/16SS473J
R 734	(A,40,61)	RS1/16SS472J
R 740	(A,38,59)	RS1/16SS222J
R 746	(A,13,38)	RS1/16SS104J
R 750	(A,40,66)	RS1/16SS473J
R 751	(B,40,46)	RS1/16SS102J
R 902	(A,20,36)	RS1/16SS221J
R 905	(A,21,36)	RS1/16SS221J
R 906	(B,20,36)	RS1/16SS221J
R 909	(B,16,65)	RS1/16SS0R0J

CAPACITORS

C 103	(B,57,83)	CEVW101M16
C 108	(A,47,66)	CKSSYB104K10
C 201	(B,46,56)	CKSSYB102K50
C 202	(B,47,58)	CKSSYB104K10
C 205	(A,34,63)	CKSSYB104K10
C 208	(B,34,54)	CKSSYB104K10
C 209	(B,31,57)	CKSSYB104K10
C 210	(A,31,66)	CKSRYB105K10
C 216	(B,53,77)	CKSSYB332K50
C 217	(B,52,79)	CKSSYB104K10
C 218	(B,52,76)	CKSSYB473K10
C 219	(B,52,74)	CKSSYB104K10
C 220	(A,46,77)	CKSSYB182K50
C 221	(B,51,74)	CKSSYB104K10
C 222	(A,46,73)	CCSSCH560J50
C 223	(A,44,74)	CCSSCH4R0C50
C 224	(B,52,68)	CKSSYB104K10
C 225	(A,47,67)	CKSSYB103K16
C 226	(A,49,67)	CCSSCH680J50
C 227	(A,48,65)	CCSSCH470J50

C 228	(A,46,62)	CKSSYB103K16
C 232	(A,12,31)	CKSRYB105K10
C 237	(A,31,67)	CKSSYB104K10
C 239	(A,46,74)	CCSSCH220J50
C 246	(A,42,80)	CKSSYB104K10
C 249	(B,25,57)	CKSSYB221K50
C 250	(A,42,81)	CKSRYB102K50
C 251	(A,41,83)	CKSRYB102K50
C 303	(A,18,20)	CKSSYB472K25
C 304	(A,17,17)	CKSSYB103K16
C 307	(A,34,15)	CKSSYB104K10
C 308	(A,17,30)	CKSRYB105K10
C 701	(B,25,47)	CKSSYB104K10
C 703	(B,28,42)	CKSSYB103K16
C 706	(B,34,43)	CKSSYB104K10
C 707	(A,36,57)	CKSSYB104K10
C 714	(A,24,41)	CKSSYB104K10
C 719	(A,45,64)	CKSSYB104K10
C 722	(B,29,45)	CKSQYB475K6R3
C 903	(B,14,54)	CKSSYB471K50

Miscellaneous Parts List

	Pickup Unit(P10.5)(Service)	CXX1942
M 1	Motor Unit(SPINDLE)	CXC6742
M 2	Motor Unit(LOADING/CARRIAGE)	CXC4026
M 10	Motor Unit(FLAP)	XXA7400