

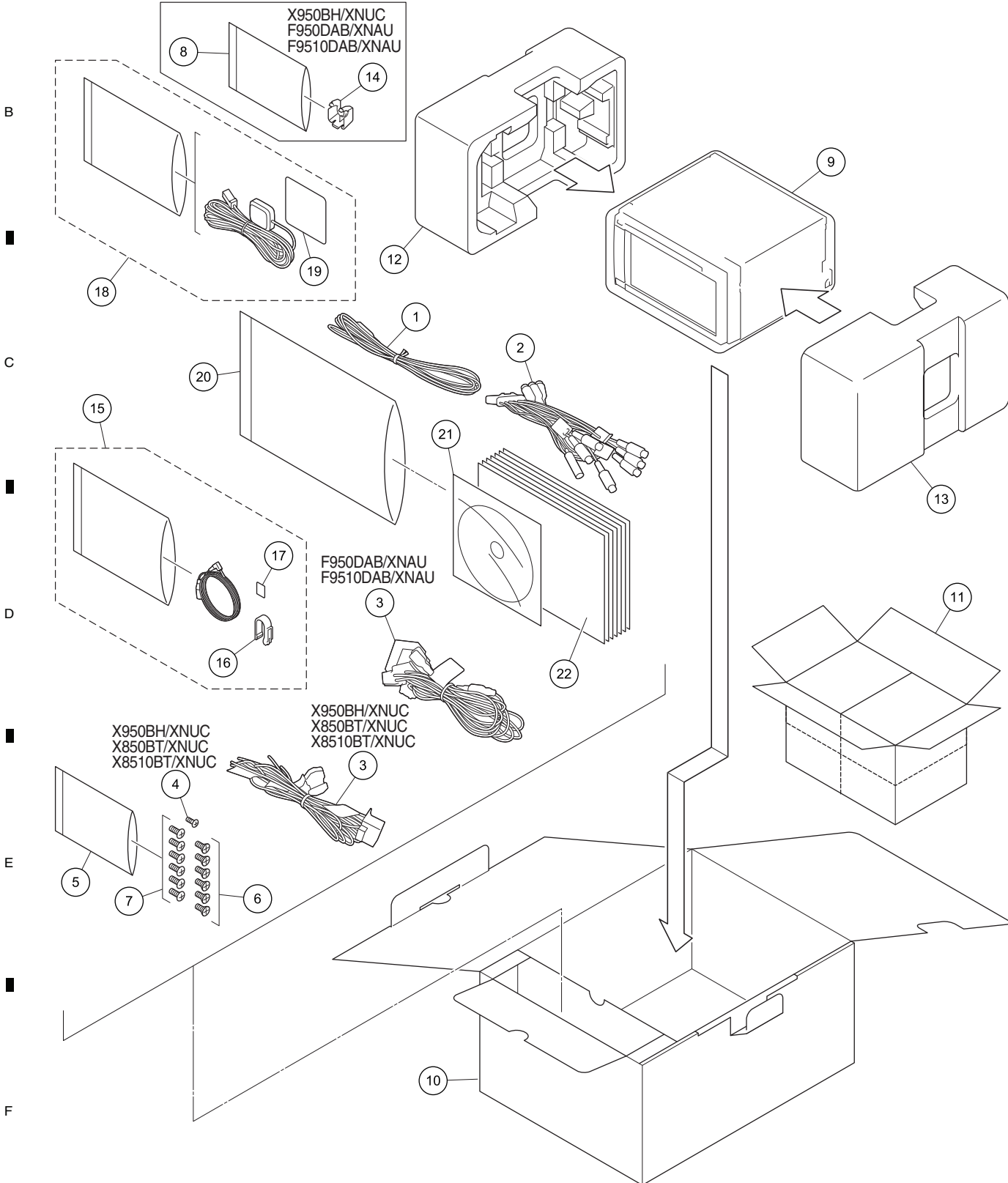


9. EXPLODED VIEWS AND PARTS LIST

NOTES : • Parts marked by " * " are generally unavailable because they are not in our Master Spare Parts List.

- The  mark found on some component parts indicates the importance of the safety factor of the part. Therefore, when replacing, be sure to use parts of identical designation.
- Screw adjacent to  mark on the product are used for disassembly.
- For the applying amount of lubricants or glue, follow the instructions in this manual.
(In the case of no amount instructions, apply as you think it appropriate.)

9.1 PACKING



(1) PACKING SECTION PARTS LIST

<u>Mark No.</u>	<u>Description</u>	<u>Part No.</u>	<u>Mark No.</u>	<u>Description</u>	<u>Part No.</u>
1	Cable Assy	CDP1396	16	Holder	CZN7192
2	Cord Assy	CDP1540	17	Cushion	CZN7193
3	Cord Assy	See Contrast table (2)	18	GPS Antenna Assy	CXE3204
4	Screw	See Contrast table (2)	19	Sheet	CZN8510
5	Polyethylene Bag	CEG1160	20	Polyethylene Bag	CEG1116
6	Screw	CRZ50P090FTC	21	IM CD-ROM	CPJ1451
7	Screw	TRZ50P080FTC	22-1	Quick Start Guide	See Contrast table (2)
8	Polyethylene Bag	See Contrast table (2)	22-2	Quick Start Guide/POC/FRE	See Contrast table (2)
9	Cover	See Contrast table (2)	22-3	Owner's Manual	See Contrast table (2)
10	Unit Box	See Contrast table (2)	22-4	Installation Manual	See Contrast table (2)
11	Contain Box	See Contrast table (2)	* 22-5	Registration Card	See Contrast table (2)
12	Protector	CHP4275	* 22-6	Registration Card	See Contrast table (2)
13	Protector	CHP4276	* 22-7	Warranty Card	See Contrast table (2)
14	Holder	See Contrast table (2)	* 22-8	Caution Card	CRP1468
15	Microphone Assy	CPM1083	* 22-9	Caution Card	See Contrast table (2)

(2) CONTRAST TABLE

AVIC-X950BH/XNUC, AVIC-X850BT/XNUC, AVIC-X8510BT/XNUC, AVIC-F950DAB/XNAU and AVIC-F9510DAB/XNAU are constructed the same except for the following:

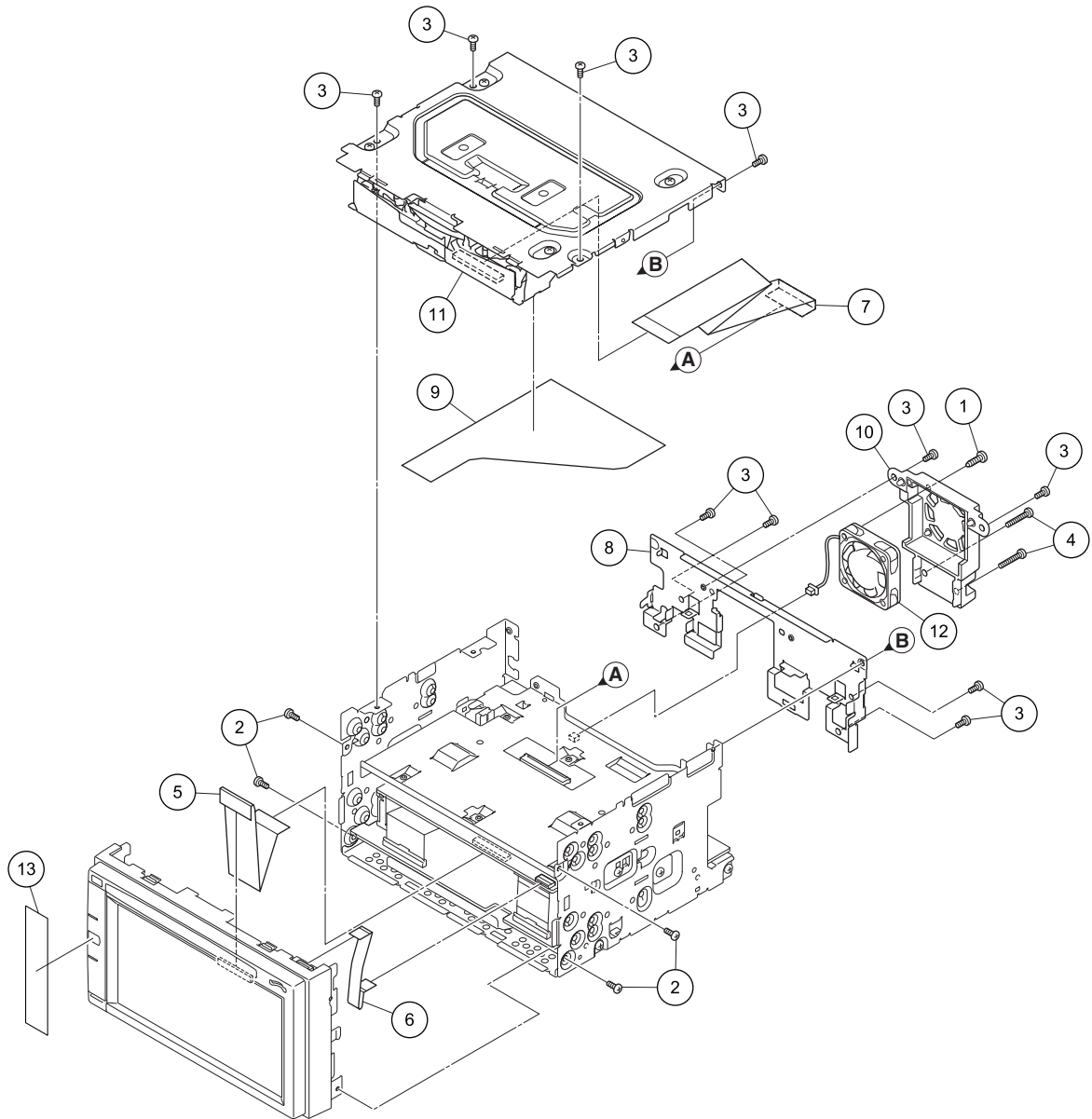
Mark	No.	Description	AVIC-X950BH/ XNUC	AVIC-X850BT/ XNUC	AVIC-X8510BT/ XNUC	AVIC-F950DAB/ XNAU	AVIC-F9510DAB/ XNAU
	3	Cord Assy	CDP1546	CDP1546	CDP1546	CDP1545	CDP1545
	4	Screw	BPZ20P040FTC	BPZ20P040FTC	BPZ20P040FTC	Not used	Not used
	8	Polyethylene Bag	CEG1160	Not used	Not used	CEG1160	CEG1160
	9	Cover	CEG1359	CEG1359	CEG1359	CEG1356	CEG1356
	10	Unit Box	CHG8263	CHG8260	CHG8266	CHG8264	CHG8267
	11	Contain Box	CHL8263	CHL8260	CHL8266	CHL8264	CHL8267
	14	Holder	CNW2508	Not used	Not used	CNW2508	CNW2508
	22-1	Quick Start Guide	CRB4175	CRB4175	CRB4175	CRB4183	CRB4183
	22-2	Quick Start Guide/ POC/FRE	CRB4176	CRB4176	CRB4176	Not used	Not used
	22-3	Owner's Manual	CRD4696	CRD4696	CRD4696	CRB4173	CRB4173
	22-4	Installation Manual	CRD4697	CRD4697	CRD4697	CRB4174	CRB4174
*	22-5	Registration Card	CRY1271	CRY1271	CRY1271	Not used	Not used
*	22-6	Registration Card	CRY1373	CRY1373	CRY1373	Not used	Not used
*	22-7	Warranty Card	QRY3001	QRY3001	QRY3001	Not used	Not used
*	22-9	Caution Card	Not used	Not used	Not used	CRP1469	CRP1469

Owner's Manual, Installation Manual

Part No.	Language
CRB4173	English
CRB4174	English
CRB4175	English
CRB4176	French
CRB4183	English
CRD4696	English, French
CRD4697	English, French

5 6 7 8

9.2 EXTERIOR (1)



EXTERIOR (1) SECTION PARTS LIST

Mark No.	Description	Part No.	Mark No.	Description	Part No.
1	Screw	BPZ30P080FTC	9	Insulator	CNN4330
2	Screw	BSZ26P050FTC	10	Heat Sink	CNR2152
3	Screw	BSZ26P060FTC	11	DVD Mechanism Module(LS2)	CXK8006
4	Screw	BSZ26P160FTC	12	Fan Motor	CXM1446
5	FFC	CDE9843	13	Sheet	CNN4509
6	FFC	CDE9844			
7	FFC	CDE9847			
8	Holder				
	AVIC-X950BH/XNUC	CND6687			
	AVIC-X850BT/XNUC	CND6689			
	AVIC-X8510BT/XNUC	CND6689			
	AVIC-F950DAB/XNAU	CND6687			
	AVIC-F9510DAB/XNAU	CND6687			

9.3 EXTERIOR (2)

X950BH/XNUC
X850BT/XNUC
X8510BT/XNUC

F950DAB/XNAU
F9510DAB/XNAU

A

33

33

B

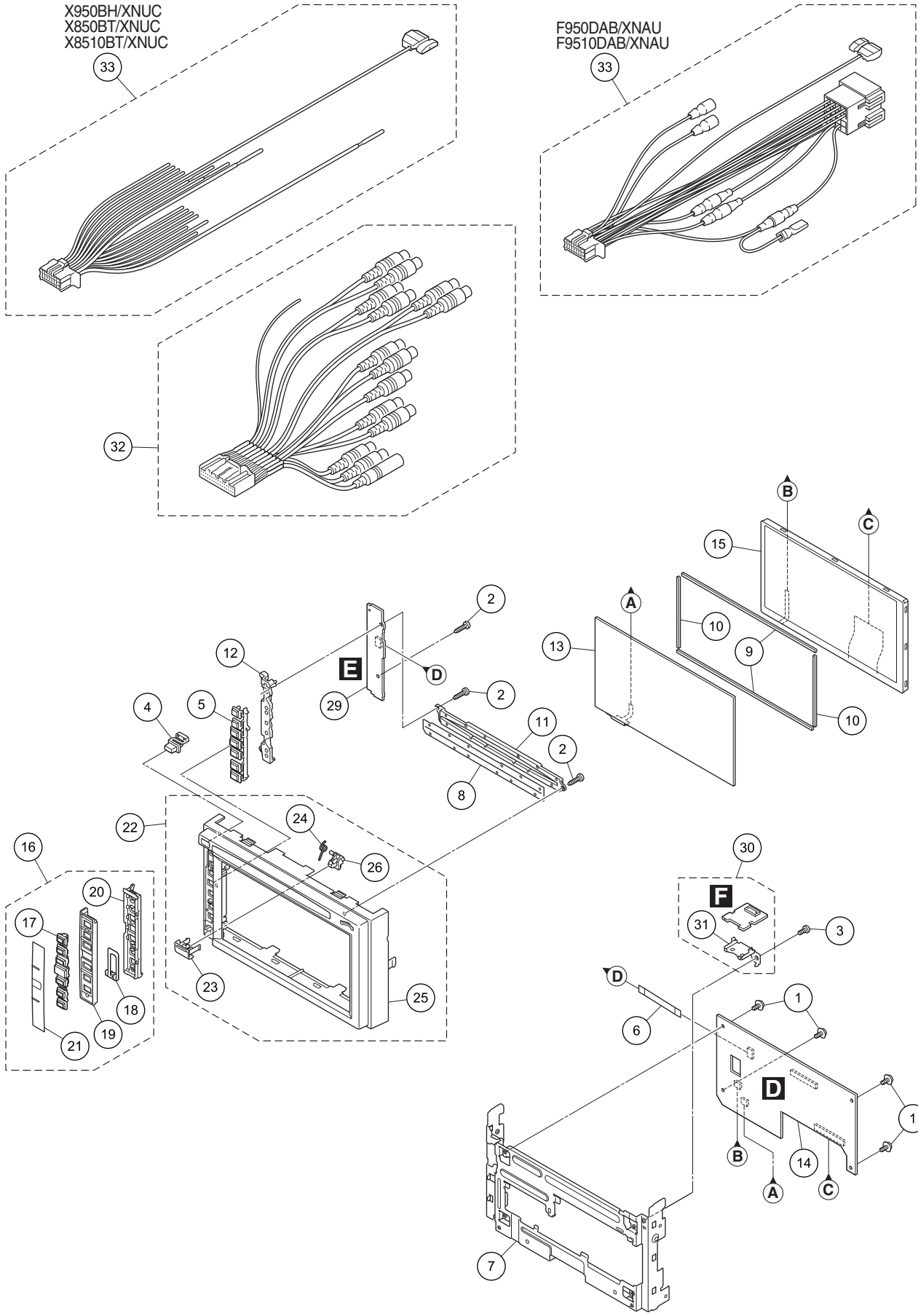
32

C

D

E

F



(1) EXTERIOR (2) SECTION PARTS LIST

<u>Mark No.</u>	<u>Description</u>	<u>Part No.</u>	<u>Mark No.</u>	<u>Description</u>	<u>Part No.</u>	
1	Screw	AMZ20P040FTC	* 18	Plate Spring	CBL1845	
2	Screw	BPZ20P080FTC	* 19	Grille	See Contrast table (2)	
3	Screw	BSZ26P060FTC	* 20	Cover	CNU2215	
4	Button (EJECT)	See Contrast table (2)				
5	Button	CAI4019	* 21	Plate	CNU2216	
				22	Grille Assy	See Contrast table (2)
6	FFC	CDE9842	* 23	Button (DETACH)	See Contrast table (2)	
7	Holder	CND6339	* 24	Coil Spring	CBH3111	
8	Cover	CNN3240	* 25	Grille	See Contrast table (2)	
9	Cushion	CNN4273				
10	Cushion	CNN4274	* 26	Arm	CNW2708	
			27		
11	Holder	CNW2114	28		
12	Lighting Conductor	CNW2709	29	Key Unit (Service)	CXX5404	
13	Touch Panel	CSX1184	30	Micro SD Unit (Service)	CXX5405	
14	Monitor Unit	CWN7384				
15	TFT LCD	CWX4218	31	Holder	CND5945	
			32	Cord Assy	CDP1540	
16	Grille Assy	See Contrast table (2)	33	Cord Assy	See Contrast table (2)	
* 17	Button	CAI4020				

(2) CONTRAST TABLE

AVIC-X950BH/XNUC, AVIC-X850BT/XNUC, AVIC-X8510BT/XNUC, AVIC-F950DAB/XNAU and AVIC-F9510DAB/XNAU are constructed the same except for the following:

Mark	No.	Description	AVIC-X950BH/ XNUC	AVIC-X850BT/ XNUC	AVIC-X8510BT/ XNUC	AVIC-F950DAB/ XNAU	AVIC-F9510DAB/ XNAU
	4	Button (EJECT)	CAI4017	CAI4017	CAI4018	CAI4018	CAI4018
	16	Grille Assy	CXE5972	CXE5972	CXE5973	CXE5973	CXE5973
*	19	Grille	CNU2213	CNU2213	CNU2214	CNU2214	CNU2214
	22	Grille Assy	CXE6308	CXE6311	CXE6323	CXE6322	CXE6325
*	23	Button (DETACH)	CAI4022	CAI4022	CAI4023	CAI4023	CAI4023
*	25	Grille	CNU2204	CNU2205	CNU2206	CNU2211	CNU2212
	33	Cord Assy	CDP1546	CDP1546	CDP1546	CDP1545	CDP1545

9.4 EXTERIOR (3)

1

2

3

4

A

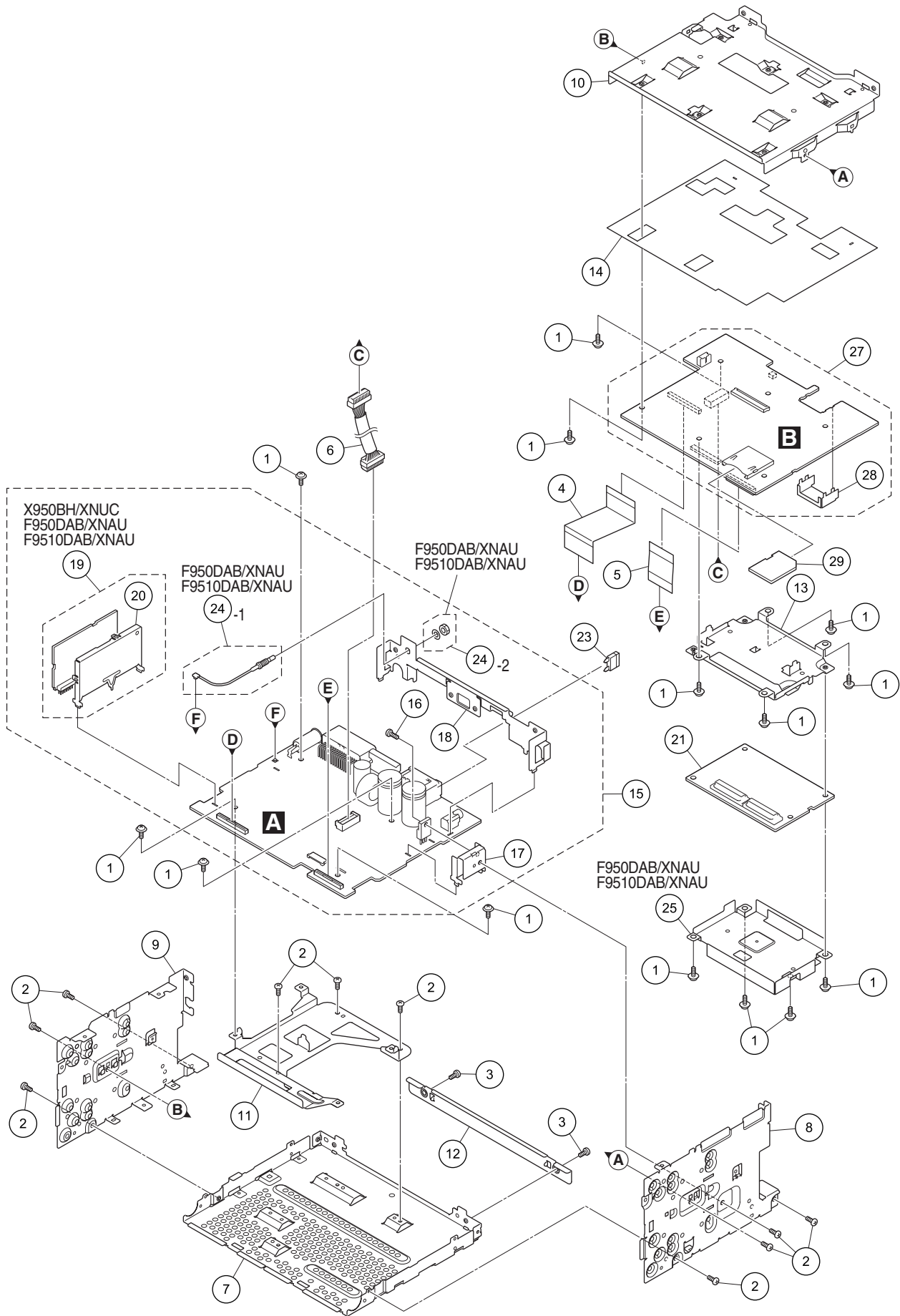
B

C

D

E

F



AVIC-X950BH/XNUC

1

2

3

4

(1) EXTERIOR (3) SECTION PARTS LIST

<u>Mark No.</u>	<u>Description</u>	<u>Part No.</u>	<u>Mark No.</u>	<u>Description</u>	<u>Part No.</u>
1	Screw	ASZ26P060FTC	16	Screw	BSZ26P060FTC
2	Screw	BSZ26P050FTC	17	Holder	CND6354
3	Screw	BSZ26P060FTC	18	Holder	See Contrast table (2)
4	FFC	CDE9845	19	WWR Core TUN Unit	See Contrast table (2)
5	FFC	CDE9846	20	Holder	See Contrast table (2)
6	Cord Assy	CDE9854	21	CC Assy(Service)	CXX5375
7	Chassis	CNA3210	22	
8	Bracket	CND6336	23	Fuse (10 A)	YEK5001
9	Bracket	CND6352	24	Antenna Cable Assy	See Contrast table (2)
10	Holder	CND6684	25	Shield Case	See Contrast table (2)
11	Holder	CND6685	26	
12	Holder	CND6686	27	Navi Unit (Service)	See Contrast table (2)
13	Holder	CND6907	28	Holder	See Contrast table (2)
14	Insulator	CNN4329	29	Map SD Assy(Service)	See Contrast table (2)
15	AV Unit	See Contrast table (2)			

(2) CONTRAST TABLE

AVIC-X950BH/XNUC, AVIC-X850BT/XNUC, AVIC-X8510BT/XNUC, AVIC-F950DAB/XNAU and AVIC-F9510DAB/XNAU are constructed the same except for the following:

Mark	No.	Description	AVIC-X950BH/ XNUC	AVIC-X850BT/ XNUC	AVIC-X8510BT/ XNUC	AVIC-F950DAB/ XNAU	AVIC-F9510DAB/ XNAU
	15	AV Unit	CWN7370	CWN7371	CWN7371	CWN7375	CWN7375
	18	Holder	CND6690	CND6690	CND6690	CND6691	CND6691
	19	WWR Core TUN Unit	CWE2364	Not used	Not used	CWE2363	CWE2363
	20	Holder	CND6449	Not used	Not used	CND6449	CND6449
	24	Antenna Cable Assy	Not used	Not used	Not used	QXA3732	QXA3732
	25	Shield Case	Not used	Not used	Not used	CND6693	CND6693
	27	Navi Unit (Service)	CXX5399	CXX5400	CXX5400	CXX5402	CXX5402
	28	Holder	CND6692	Not used	Not used	CND6692	CND6692
	29	Map SD Assy(Service)	CXX5824	CXX5824	CXX5824	CXX5827	CXX5827

9.5 DVD MECHANISM MODULE (1)

A

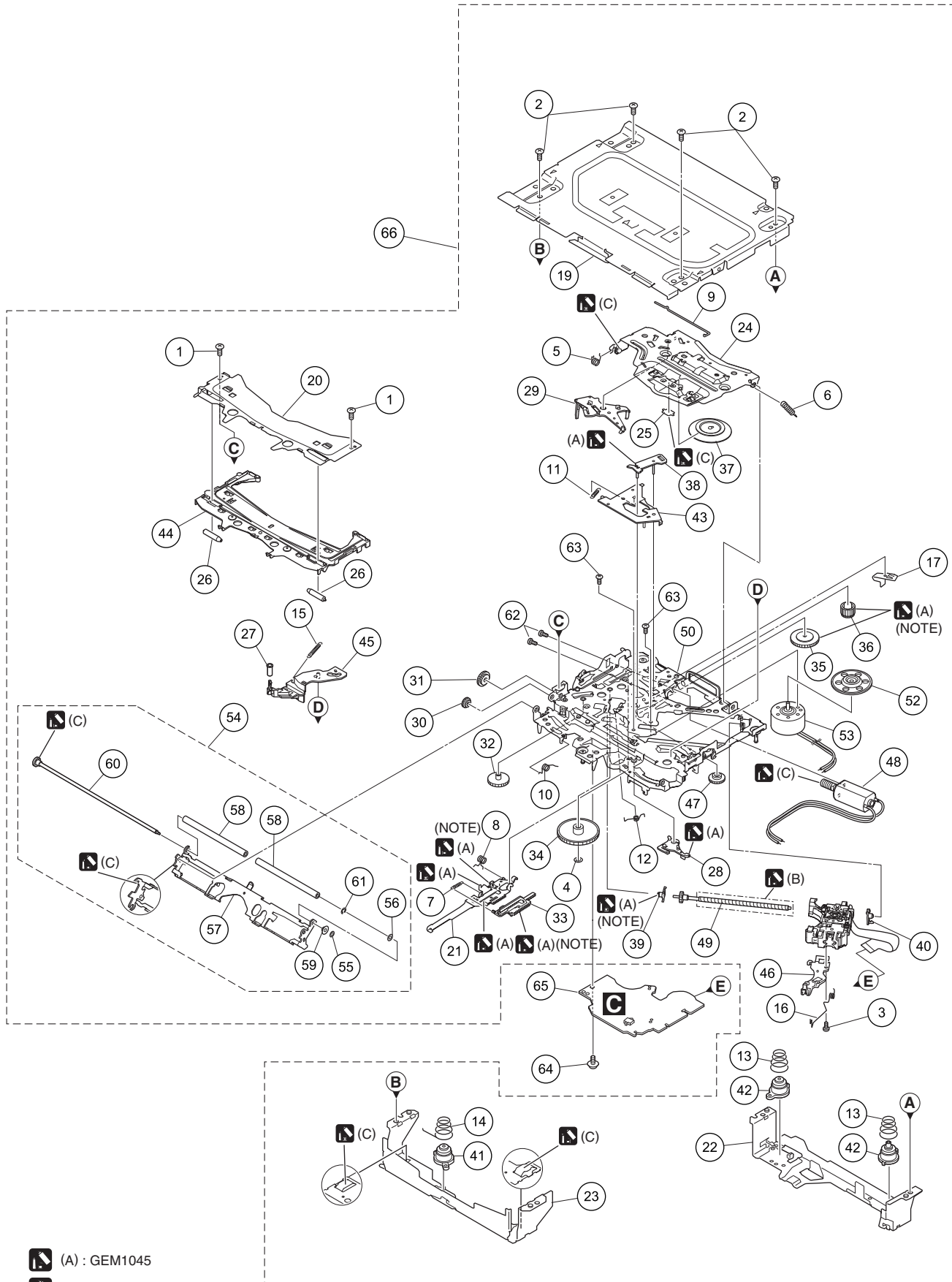
B




C

D

E

F



-  (A) : GEM1045
-  (B) : GEM1038
-  (C) : GEM1024

(NOTE) Apply grease to the whole part.

5 6 7 8
DVD MECHANISM MODULE (1) SECTION PARTS LIST

<u>Mark No.</u>	<u>Description</u>	<u>Part No.</u>	<u>Mark No.</u>	<u>Description</u>	<u>Part No.</u>
1	Screw	BSZ20P040FTC	36	Gear	CNW1187
2	Screw	BSZ26P060FTC	37	Clamper	CNW1190
3	Screw (M2 x 4)	CBA1835	38	Arm	CNW1192
4	Washer	CBF1038	39	Holder	CNW1193
5	Spring	CBH2855	40	Holder	CNW1194
6	Spring	CBH2860	41	Damper	CNW1197
7	Spring	CBH3010	42	Damper	CNW1198
8	Spring	CBH3011	43	Arm	CNW1726
9	Spring	CBH3014	44	Guide	CNW2240
10	Spring	CBH3015	45	Arm	CNW2241
11	Spring	CBH3016	46	Rack	CNW2265
12	Spring	CBH3017	47	Gear	CNW2287
13	Spring	CBH3019	48	Motor Unit	CXC4026
14	Spring	CBH3086	49	Screw Unit	CXC8894
15	Spring	CBH3095	* 50	Chassis Unit	CXE4047
16	Spring	CBH3096	51	
17	Plate Spring	CBL1824	* 52	Support Wheel	CNW2052
18		* 53	Spindle Motor	EXM2002
19	Case	CNB3761	54	Arm Assy	CXE5027
20	Bracket	CND4553	55	Washer	CBF1037
21	Lever	CND5398	56	Washer	CBF1038
22	Bracket	CND5710	57	Arm	CND6242
23	Bracket	CND6127	58	Roller	CNW1196
24	Arm	CND6406	59	Collar	CNW2444
25	Sheet	CNN3678	60	Gear Unit	CXC8893
26	Roller	CNW1172	61	Washer	YE15FTC
27	Roller	CNW1175	62	Screw	JFZ20P025FTC
28	Arm	CNW1177	63	Screw	JGZ17P020FTC
29	Arm	CNW1178	64	Screw (M2 x 5)	EBA1028
30	Gear	CNW1180	65	DVD Core Unit	YWX5033
31	Gear	CNW1181	66	Mechanism Unit(Service)	CXX4546
32	Gear	CNW1183			
33	Rack	CNW1184			
34	Gear	CNW1185			
35	Gear	CNW1186			

Pickup, Spindle Motor and Support Wheel are not available as service parts, because they need adjustment by special equipment after replacing.

12. ELECTRICAL PARTS LIST

NOTE:

- Parts whose parts numbers are omitted are subject to being not supplied.
- The part numbers shown below indicate chip components.

Chip Resistor

RS1/○S○○○○J,RS1/○○S○○○○J

Chip Capacitor (except for CQS.....)

CKS....., CCS....., CSZS.....

- The \triangle mark found on some component parts indicates the importance of the safety factor of the part. Therefore, when replacing, be sure to use parts of identical designation.
- Meaning of the figures and others in the parentheses in the parts list.

Example) IC 301 is on the point (face A, 91 of x-axis, and 111 of y-axis) of the corresponding PC board.

IC 301 (A, 91, 111) IC NJM2068V

- The expression of the unit in this manual is shown by u instead of μ . Please do not make a mistake.

	<u>Circuit Symbol and No.</u>	<u>Part No.</u>	<u>Circuit Symbol and No.</u>	<u>Part No.</u>
	A:AVIC-X950BH/XNUC		<u>MISCELLANEOUS</u>	
	B:AVIC-X850BT/XNUC		IC 2003 (B,80,8) IC	NJM12904V
	C:AVIC-X8510BT/XNUC		IC 2004 (A,152,118) IC	NJW4830U2
	D:AVIC-F950DAB/XNAU		IC 2101 (A,84,133) IC	PA2030A
	E:AVIC-F9510DAB/XNAU		IC 2207 (A,132,38) Regulator IC	BD9781HFP
	Unit Number: CWN7370(A)		IC 2209 (B,56,40) IC	NJM2387ADL3
	Unit Number: CWN7371(B,C)		IC 2210 (A,40,53) Regulator IC	NJM2846DL3-05
	Unit Number: CWN7375(D,E)		IC 2301 (B,113,57) IC	S-93C66BD0I-J8
	Unit Name : AV Unit		IC 2302 (B,102,39) Reset IC	S-80929CNMC-G8Z
	Unit Number: CXX5399(A)		IC 2303 (A,95,38) IC(A)	PEQ170A8
	Unit Number: CXX5400(B,C)		(A,95,38) IC(B,C)	PEQ158A8
	Unit Number: CXX5402(D,E)		(A,95,38) IC(D,E)	PEQ160A8
	Unit Name : Navi Unit(Service)		IC 2701 (B,77,92) IC	PML020A
	Unit Number: YWX5033		IC 2801 (B,100,93) Dual OP-AMP	NJM4565V
	Unit Name : DVD Core Unit		IC 3001 (A,44,74) IC	TDA7706
	Unit Number: CWN7384		IC 3101 (A,55,39) IC(A,D,E)	TEF6613
	Unit Name : Monitor Unit		IC 3151 (B,32,46) Regulator IC(A,D,E)	S-1155B33-U5
	Unit Number: CXX5404		IC 3152 (B,35,53) IC(A,D,E)	R1173S001D
	Unit Name : Key Unit(Service)		IC 3153 (B,151,37) IC(A,D,E)	LT1912EMSE
	Unit Number: CXX5405		IC 3154 (A,27,70) Regulator IC(D,E)	S-1172B33-E6
	Unit Name : Micro SD Unit(Service)		IC 3301 (B,50,20) Regulator IC	NJM2878F3-05
			IC 3302 (B,30,14) IC	ADC128S052QCIMT
			IC 3303 (A,37,37) IC	LM20BIM7
			IC 3502 (B,65,105) 1 Chip or Gate	TC7SH32FUS1
			IC 3601 (B,91,70) IC	AK4223VQ
			IC 3701 (A,75,89) IC	M61545AFP
			IC 3702 (A,80,68) Dual OP-AMP(A,D,E)	NJM4565V
			IC 3703 (A,74,66) Dual OP-AMP	NJM4565V
			IC 3704 (A,70,110) IC	NJM2058V
			IC 3705 (A,77,79) IC(A,D,E)	TC4052BFT
			IC 3801 (B,135,77) IC	LTC3858EGN-1
			Q 2014 (B,109,92) Chip Transistor	HN1C01FU
			Q 2015 (B,101,112) Transistor	LTC014EEB
			Q 2016 (B,130,115) Transistor	LSCR523UB
			Q 2017 (B,112,70) Transistor	LSCR523UB
			Q 2018 (B,84,10) Transistor	LTC014EEB
			Q 2019 (A,166,113) Chip Transistor	HN1C01FU
			Q 2020 (B,153,113) Transistor	LSAR523UB
			Q 2021 (B,79,16) Transistor	LTC014EEB
	Unit Number: CWN7370(A)			
	Unit Number: CWN7371(B,C)			
	Unit Number: CWN7375(D,E)			
	Unit Name : AV Unit			

5			6			7			8		
<u>Circuit Symbol and No.</u>			<u>Part No.</u>			<u>Circuit Symbol and No.</u>			<u>Part No.</u>		
Q 2101	(A,66,119)	Transistor	LTC024EEB			D 2902	(A,43,92)	Diode	RN731VN		
Q 2102	(A,87,122)	Transistor	LTC014YEEB			D 3151	(B,39,45)	Diode(A,D,E)	1SR154-400		
Q 2201	(B,114,64)	Transistor	LTC014EEB			D 3152	(B,42,49)	Diode(A,D,E)	1SR154-400		
Q 2202	(B,117,63)	Transistor	LSAR523UB			D 3153	(A,154,35)	Diode(A,D,E)	RB056L-40		A
Q 2208	(A,164,95)	Transistor	2SB1565			D 3201	(A,9,83)	Diode(D,E)	EZAEG2A50AX		
						D 3202	(B,8,84)	Diode(D,E)	RKZ16KG(B2)		
Q 2209	(B,152,101)	Chip Transistor	HN1C01FU			D 3501	(B,51,107)	Diode	DAN202UM		
Q 2301	(A,116,33)	Chip Transistor	RN4983								
Q 2801	(B,94,87)	Chip Transistor	RN4982			D 3502	(B,64,110)	Diode	DA2J101		
Q 2802	(B,94,90)	Transistor	DTC623TU			D 3503	(A,44,105)	Diode	DA2J101		
Q 2851	(B,61,25)	Transistor(A,D,E)	LTC023EEB			D 3801	(B,144,74)	Diode	DB2J41100		
						D 3802	(B,144,82)	Diode	DB2J41100		
Q 2852	(B,67,51)	Transistor(A,D,E)	LTC014EEB			L 2002	(A,98,104)	Choke Coil 600 uH	CTH1221		
Q 2853	(B,58,28)	Transistor(A,D,E)	ISA1602AM1								
Q 2854	(B,64,51)	Transistor(A,D,E)	LSAR523UB			L 2201	(A,136,52)	Inductor	CTH1542		
Q 2901	(A,51,92)	Transistor(A,D,E)	2SC3357			L 2310	(B,86,36)	Inductor	CTF1787		
						L 2901	(B,27,100)	Inductor(A,D,E)	LCTCR12K2125		B
Q 3201	(B,9,71)	Transistor(D,E)	DRC9A14E0			L 2902	(B,32,98)	Inductor(A,D,E)	LCTCR12K2125		
Q 3202	(B,8,80)	Transistor(D,E)	2SB1132			L 2904	(A,41,96)	Inductor	LCTCR15K1608		
Q 3203	(B,7,89)	Transistor(D,E)	2SD1664								
Q 3504	(B,61,106)	Chip Transistor	RN4982			L 2905	(A,43,97)	Chip Coil	LCTAWR27J2520		
						L 2907	(A,46,93)	Inductor(A,D,E)	CTF1794		
Q 3505	(B,55,104)	Chip Digital Transistor	LTA124EUB			L 2908	(A,56,97)	Inductor(A,D,E)	LCTAW101J2520		
Q 3506	(B,59,108)	Chip Transistor	RN4982			L 2909	(A,54,94)	Inductor(A,D,E)	LCYB47NJ1608		
Q 3507	(A,51,105)	Transistor	LSAR523UB			L 2910	(A,52,88)	Inductor(A,D,E)	LCYB47NJ1608		
Q 3508	(B,51,111)	Chip Transistor	HN1C03FU								
Q 3509	(A,39,113)	Transistor(A,B,C)	LSAR523UB			L 2911	(A,56,88)	Coil(A,D,E)	CTC1213		
						L 2913	(A,52,83)	Inductor(A,D,E)	LCYB47NJ1608		
Q 3510	(B,58,104)	Chip Digital Transistor	LTA124EUB			L 3001	(A,46,85)	Inductor	CTF1786		
Q 3511	(B,31,111)	Chip Transistor	HN1C03FU			L 3002	(A,41,85)	Inductor	CTF1786		C
Q 3512	(B,38,111)	Chip Transistor	HN1C03FU			L 3003	(A,30,91)	Inductor	CTF1389		
Q 3513	(B,44,111)	Chip Transistor	HN1C03FU			L 3006	(A,34,85)	Inductor	LCYC220K1608		
Q 3515	(B,42,139)	Transistor	RN4984								
						L 3008	(A,34,82)	Inductor	LCYB68NJ1608		
Q 3516	(B,42,135)	Transistor	RN4984			L 3009	(A,55,79)	Inductor	CTF1786		
Q 3701	(A,70,95)	Chip Transistor	RN4982			L 3010	(A,55,78)	Inductor	CTF1786		
Q 3702	(A,74,95)	Chip Transistor	RN4982			L 3011	(A,32,77)	Inductor	LCTC100K1608		
Q 3703	(A,69,99)	Transistor	DTC623TU			L 3012	(A,35,73)	Inductor	CTF1786		
Q 3704	(A,74,98)	Transistor	DTC623TU			L 3014	(A,40,65)	Inductor(B,C)	CTF1786		
Q 3705	(A,71,84)	Transistor(A,D,E)	LTC014EEB			L 3015	(A,53,65)	Inductor	CTF1786		
Q 3801	(A,140,66)	FET	FK8V03050			L 3017	(A,50,64)	Inductor	CTF1786		
Q 3802	(A,140,69)	FET	FK8V03040			L 3018	(A,41,65)	Inductor(A,D,E)	CTF1786		D
Q 3803	(A,140,89)	FET	FK8V03050			L 3019	(A,46,66)	Inductor(A)	CTF1787		
Q 3804	(A,140,85)	FET	FK8V03040			L 3020	(A,45,63)	Inductor(A)	CTF1787		
D 2016	(B,114,73)	Diode	RKZ7.5KG(B2)			L 3021	(A,45,66)	Inductor(A)	CTF1787		
D 2017	(B,109,87)	Diode	RKZ20KG(B2)			L 3022	(A,44,63)	Inductor(A)	CTF1787		
D 2018	(B,106,86)	Diode	RKZ7.5KG(B2)			L 3101	(A,67,31)	Chip Coil(A,D,E)	LCTAW3R3J2520		
D 2019	(B,126,115)	Diode	RKZ6.8KG(B2)			L 3151	(A,145,35)	Inductor(A,D,E)	CTH1521		
D 2020	(B,102,115)	Diode	DA2J101			L 3152	(A,160,42)	Inductor(A,D,E)	BTH1110		
						L 3201	(A,8,81)	Inductor(D,E)	LCMAR10J1608		
D 2021	(B,108,83)	Diode	DA2J101								
D 2022	(B,107,86)	Diode	DA2J101			L 3301	(B,27,20)	Chip Ferrite Bead	OTL8019		
D 2023	(A,103,87)	Diode	RF501B2S			L 3302	(B,30,7)	Chip Ferrite Bead	OTL8019		
D 2024	(B,152,117)	Diode	DA2J101			L 3303	(B,29,9)	Inductor	CTF1787		E
D 2025	(A,161,114)	Diode	RKZ5.6KG(B2)			L 3801	(A,131,69)	Choke Coil 4.7 uH	CTH1480		
						L 3802	(A,131,86)	Inductor	CTH1482		
D 2027	(B,74,12)	Diode	DA2J101								
D 2030	(A,130,119)	Diode	CRG03			L 3803	(A,149,97)	Inductor	CTF1738		
D 2032	(A,130,116)	Diode	CRG03			X 2301	(A,113,38)	Crystal Resonator 16.000 MHz	CSS1736		
D 2034	(B,81,13)	Diode	1SR154-400			X 3001	(A,55,71)	Resonator 36.480 MHz	CSS1805		
D 2202	(A,127,47)	Diode	RB056L-40			X 3101	(A,44,31)	Resonator 4 MHz(A,D,E)	CSS1817		
						△ P2201	(A,118,59)	Fuse 1.0 A	CEK1381		
D 2203	(A,161,54)	Diode	RB056L-40								
D 2205	(B,156,106)	Diode	DA2J101			△ P2203	(A,97,80)	Fuse 400 mA	CEK1250		
D 2206	(B,156,103)	Diode	HZU7R5(B3)			P 2901	(B,19,99)	Surge Absorber	IMSA-6803-01Y900		
D 2301	(B,86,29)	Diode	DB2J31400			△ P3201	(A,90,85)	Fuse 400 mA(D,E)	CEK1250		F
D 2302	(B,89,30)	Diode	RB501VM-40			P 3501	(B,153,126)	Poly Switch	FSMD075-24R		
D 2801	(B,105,92)	Diode	RKZ4.3KG(B2)			P 3502	(B,57,134)	Poly Switch	FSMD075-24R		
D 2901	(A,38,96)	Diode	RN731VN			P 3503	(B,32,130)	Poly Switch	FSMD075-24R		

1

2

3

4

Circuit Symbol and No.**Part No.****Circuit Symbol and No.****Part No.**

P 3504	(B,48,130) Poly Switch	FSMD075-24R	R 2092	(B,75,13)	RS1/16SS202J
P 3505	(B,44,130) Poly Switch	FSMD075-24R	R 2093	(A,160,115)	RS1/10SR102J
P 3506	(B,53,139) Poly Switch	FSMD075-24R			
P 3507	(B,35,130) Poly Switch	FSMD075-24R	R 2094	(B,149,116)	RS1/10SR103J
P 3508	(B,39,130) Poly Switch	FSMD075-24R	R 2095	(B,76,14)	RS1/16SS203J
			R 2096	(B,78,13)	RS1/16SS333J
P 3509	(B,53,130) Poly Switch	FSMD075-24R	R 2097	(B,83,15)	RS1/10SR0R0J
U 3501	(B,99,12) Remote Receiver Unit(D,E)	RS-470	R 2101	(A,69,121)	RS1/16SS103J
GY3301	(A,31,40) Sensor	CSX1179			
GY3302	(A,39,18) Sensor	CSX1183	R 2102	(A,70,124)	RS1/16SS103J
CN3201	(A,9,91) Connector(D,E)	CKS6508	R 2107	(A,68,122)	RS1/16SS221J
CN3501	(A,45,133) Plug	CKM1567	R 2110	(A,86,124)	RS1/16SS103J
CN3601	(A,106,71) Connector	CKS6496	R 2201	(A,37,46)	RS1/16SS102J
			R 2209	(B,128,53)	RS1/10SR0R0J
CN3602	(A,45,8) Connector	CKS5586			
CN3603	(A,149,8) Connector	CKS6464	R 2210	(B,128,50)	RS1/10SR6802D
JA2002	(A,117,133) Connector	CKM1613	R 2211	(B,128,47)	RS1/10SR3001D
JA2901	(A,13,117) Antenna Jack	YKS5041	R 2212	(B,128,45)	RS1/10SR1002D
JA3501	(A,163,124) Jack	CKS6437	R 2215	(B,131,48)	RS1/10SR393J
			R 2216	(B,133,41)	RS1/10SR1003D
VL3101	(A,50,54) Variable Coil(A,D,E)	CTE1170			
	WWR C-TUN Unit(A)	CWE2364	R 2240	(B,132,41)	RS1/10SR1002D
	WWR C-TUN Unit(D,E)	CWE2363	R 2243	(B,126,43)	RS1/10SR102J

RESISTORS

R 2050	(B,112,68)	RS1/16SS221J	R 2286	(B,160,107)	RS1/10SR0R0J
R 2051	(B,109,94)	RS1/16SS221J	R 2287	(B,153,106)	RS1/16SS120J
R 2052	(B,99,112)	RS1/16SS221J	R 2288	(B,155,101)	RS1/10SR271J
R 2053	(B,132,115)	RS1/16SS221J	R 2289	(B,155,100)	RS1/10SR471J
R 2055	(A,165,111)	RS1/16SS221J	R 2290	(B,57,47)	RS1/16SS6801D
R 2056	(B,87,9)	RS1/16SS0R0J	R 2291	(B,58,47)	RS1/16SS1201D
R 2060	(B,108,89)	RS1/16SS473J	R 2292	(B,156,98)	RS1/10SR223J
R 2061	(B,112,73)	RS1/16SS473J	R 2293	(B,51,44)	RS1/16SS0R0J
R 2062	(B,111,91)	RS1/16SS103J	R 2294	(B,150,102)	RS1/8SQ271J
R 2063	(B,110,89)	RS1/16SS103J	R 2296	(A,44,47)	RS1/8SQ0R0J
R 2064	(B,102,113)	RS1/16SS103J	R 2297	(B,151,106)	RS1/10SR332J
R 2065	(B,114,71)	RS1/16SS473J	R 2298	(A,93,55)	RS1/16SS102J
R 2066	(B,128,116)	RS1/16SS473J	R 2301	(B,90,53)	RS1/16SS104J
R 2067	(B,107,91)	RS1/16SS473J	R 2302	(A,98,55)	RS1/16SS473J
R 2068	(B,127,113)	RS1/16SS473J	R 2303	(A,99,53)	RS1/16SS473J
R 2069	(A,151,97)	RS1/10SR473J	R 2304	(B,91,51)	RS1/16SS104J
R 2070	(B,105,113)	RS1/16SS472J	R 2305	(A,107,55) (A,D,E)	RS1/16SS822J
R 2071	(B,125,113)	RS1/16SS472J	R 2306	(A,103,53)	RS1/16SS101J
R 2072	(B,107,116) 1 kohm	CCN1326	R 2307	(A,102,53)	RS1/16SS101J
R 2073	(B,121,117) 1 kohm	CCN1326	R 2308	(A,96,55)	RS1/16SS104J
R 2074	(B,151,110)	RS1/16SS102J	R 2309	(A,103,55)	RS1/16SS222J
R 2075	(B,85,8)	RS1/16SS104J	R 2310	(A,100,55)	RS1/16SS222J
R 2076	(B,151,111)	RS1/16SS103J	R 2313	(A,84,58)	RS1/16SS222J
R 2077	(B,86,8)	RS1/16SS473J	R 2314	(A,82,58)	RS1/16SS222J
R 2078	(B,85,7)	RS1/16SS563J	R 2316	(A,97,56)	RS1/16SS473J
R 2079	(A,164,113)	RS1/16SS473J	R 2317	(A,81,54)	RS1/16SS103J
R 2080	(A,166,114)	RS1/16SS473J	R 2318	(B,96,48)	RS1/16SS104J
R 2081	(B,81,10)	RS1/16SS513J	R 2320	(B,88,56)	RS1/16SS104J
R 2082	(B,153,115)	RS1/16SS153J	R 2322	(B,89,47)	RS1/16SS104J
R 2083	(A,162,112)	RS1/16SS104J	R 2323	(B,105,49)	RS1/16SS221J
R 2084	(B,74,8)	RS1/16SS104J	R 2324	(A,106,53) (A,D,E)	RS1/16SS101J
R 2085	(B,73,8)	RS1/16SS513J	R 2327	(B,105,48)	RS1/16SS221J
R 2086	(B,75,7)	RS1/16SS513J	R 2330	(A,96,53)	RS1/16SS471J
R 2087	(B,75,11)	RS1/16SS102J	R 2331	(A,105,57)	RS1/16SS472J
R 2088	(A,160,112)	RS1/16SS472J	R 2332	(A,91,53)	RS1/16SS0R0J
R 2089	(B,76,10)	RS1/16SS102J	R 2333	(A,90,53)	RS1/16SS101J
R 2090	(B,74,10)	RS1/16SS564J	R 2334	(A,89,53)	RS1/16SS101J
R 2091	(B,76,13)	RS1/16SS822J	R 2336	(A,86,53)	RS1/16SS121J

1

2

3

4

5		6		7		8	
<u>Circuit Symbol and No.</u>		<u>Part No.</u>		<u>Circuit Symbol and No.</u>		<u>Part No.</u>	
R 2337	(A,85,53)	RS1/16SS121J		R 2462	(B,110,35)	RS1/16SS473J	
R 2338	(A,83,54)	RS1/16SS0R0J		R 2463	(A,104,20) (A,D,E)	RS1/16SS222J	
R 2339	(A,104,53)	RS1/16SS101J		R 2464	(A,114,30) (A,D,E)	RS1/16SS472J	A
R 2340	(A,105,53)	RS1/16SS101J		R 2466	(A,104,18) (A,D,E)	RS1/16SS222J	
R 2341	(A,137,16)	RS1/16SS101J		R 2467	(B,104,34)	RS1/16SS473J	
R 2346	(B,104,44)	RS1/16SS104J		R 2468	(B,104,35)	RS1/16SS472J	
R 2347	(A,113,42)	RS1/16SS104J		R 2469	(A,136,16)	RS1/16SS472J	
R 2348	(A,112,44) (A,D,E)	RS1/16SS473J		R 2473	(B,95,11)	RS1/16SS104J	
R 2349	(A,110,51) (A,D,E)	RS1/16SS822J		R 2475	(A,104,21)	RS1/16SS104J	
R 2351	(A,110,45)	RS1/16SS473J		R 2477	(A,98,19)	RS1/16SS392J	
R 2354	(B,85,44)	RS1/16SS562J		R 2479	(A,97,20)	RS1/16SS392J	
R 2355	(B,87,38)	RS1/16SS104J		R 2480	(A,94,20)	RS1/16SS104J	
R 2356	(A,78,32)	RS1/16SS104J		R 2482	(A,92,20)	RS1/16SS473J	
R 2357	(B,76,43)	RS1/16SS152J		R 2483	(A,95,20)	RS1/16SS472J	B
R 2358	(A,109,50) (A,D,E)	RS1/16SS101J		R 2484	(A,96,20)	RS1/16SS472J	
R 2359	(B,117,50)	RS1/16SS473J		R 2486	(A,92,23)	RS1/16SS473J	
R 2360	(A,110,48)	RS1/16SS102J		R 2487	(A,116,31)	RS1/16SS472J	
R 2361	(B,117,48)	RS1/16SS473J		R 2488	(A,110,49)	RS1/16SS101J	
R 2362	(A,110,47)	RS1/16SS102J		R 2490	(A,107,23) (A,D,E)	RS1/16SS101J	
R 2363	(B,110,52)	RS1/16SS472J		R 2491	(A,109,25) (A,D,E)	RS1/16SS101J	
R 2364	(A,110,46)	RS1/16SS102J		R 2492	(A,110,26)	RS1/16SS681J	
R 2365	(A,80,47) (A,B,C)	RS1/16SS102J		R 2493	(B,105,33)	RS1/16SS473J	
R 2366	(B,117,47)	RS1/16SS473J		R 2494	(A,92,53)	RS1/16SS473J	
R 2367	(B,112,52)	RS1/16SS102J		R 2495	(A,113,41)	RS1/16SS473J	
R 2368	(A,80,46) (A,D,E)	RS1/16SS101J		R 2497	(B,87,35)	RS1/16SS221J	C
R 2369	(B,105,46)	RS1/16SS101J		R 2498	(B,87,28)	RS1/16SS103J	
R 2370	(A,104,56)	RS1/16SS0R0J		R 2601	(B,84,63)	RS1/16SS0R0J	
R 2372	(B,84,42)	RS1/16SS221J		R 2602	(B,83,77) (A,D,E)	RS1/16SS0R0J	
R 2374	(A,100,57)	RS1/16SS0R0J		R 2603	(B,83,78) (A,D,E)	RS1/16SS0R0J	
R 2375	(B,85,41)	RS1/16SS221J		R 2604	(B,83,76) (A,D,E)	RS1/16SS0R0J	
R 2377	(A,80,41) (A,B,C)	RS1/16SS101J		R 2605	(B,90,82) (A,B,C)	RS1/16SS181J	
R 2382	(B,87,34)	RS1/16SS471J		R 2606	(B,87,80) (A,B,C)	RS1/16SS181J	
R 2383	(A,110,38)	RS1/16SS102J		R 2607	(B,91,80) (A,B,C)	RS1/16SS223J	
R 2385	(A,78,37)	RS1/16SS681J		R 2608	(B,88,80) (A,B,C)	RS1/16SS223J	
R 2386	(A,80,37)	RS1/16SS681J		R 2613	(B,94,82)	RS1/16SS223J	
R 2387	(B,103,37)	RS1/16SS102J		R 2614	(B,92,82)	RS1/16SS223J	D
R 2388	(A,78,35)	RS1/16SS681J		R 2615	(B,95,80)	RS1/16SS101J	
R 2390	(B,102,36)	RS1/16SS104J		R 2616	(B,92,80)	RS1/16SS101J	
R 2391	(B,85,37)	RS1/16SS471J		R 2617	(B,93,80)	RS1/16SS101J	
R 2396	(A,110,29) (A,D,E)	RS1/16SS681J		R 2618	(B,89,80) (A,B,C)	RS1/16SS471J	
R 2398	(A,111,28)	RS1/16SS681J		R 2621	(B,98,82)	RS1/16SS223J	
R 2399	(A,78,28)	RS1/16SS0R0J		R 2622	(B,96,82)	RS1/16SS223J	
R 2400	(A,110,28)	RS1/16SS681J		R 2624	(B,97,80)	RS1/16SS101J	
R 2431	(B,77,41) (A,B,C)	RS1/16SS473J		R 2625	(B,99,80)	RS1/16SS101J	
R 2432	(B,108,31)	RS1/16SS473J		R 2626	(B,96,80)	RS1/16SS101J	
R 2433	(A,78,31)	RS1/16SS473J		R 2627	(B,103,76)	RS1/16SS223J	
R 2434	(B,86,31)	RS1/16SS103J		R 2628	(B,103,78)	RS1/16SS223J	E
R 2435	(B,78,39)	RS1/16SS104J		R 2629	(B,103,74)	RS1/16SS101J	
R 2436	(B,77,43)	RS1/16SS104J		R 2630	(B,102,80)	RS1/16SS101J	
R 2437	(A,78,30)	RS1/16SS104J		R 2631	(B,102,76)	RS1/16SS101J	
R 2438	(A,78,29)	RS1/16SS104J		R 2643	(B,87,61)	RS1/16SS104J	
R 2439	(A,103,23)	RS1/16SS0R0J		R 2644	(B,93,59)	RS1/16SS75R0D	
R 2441	(A,102,21) (A,D,E)	RS1/16SS681J		R 2645	(B,95,59)	RS1/16SS75R0D	
R 2442	(A,101,23) (A,D,E)	RS1/16SS681J		R 2647	(B,94,61)	RS1/16SS101J	
R 2443	(A,101,21) (A,D,E)	RS1/16SS681J		R 2648	(B,93,61)	RS1/16SS101J	
R 2444	(A,96,23)	RS1/16SS101J		R 2649	(B,96,61)	RS1/16SS101J	
R 2445	(A,95,23)	RS1/16SS101J		R 2650	(B,95,61)	RS1/16SS101J	F
R 2459	(B,111,35)	RS1/16SS473J		R 2651	(B,98,67)	RS1/16SS101J	
R 2460	(A,108,23) (A,D,E)	RS1/16SS101J		R 2654	(B,85,63)	RS1/16SS104J	
R 2461	(B,99,25) (A,D,E)	RS1/16SS101J		R 2655	(B,82,73)	RS1/16SS0R0J	

1

2

3

4

Circuit Symbol and No.**Part No.****Circuit Symbol and No.****Part No.**

R 2656	(B,82,72)	RS1/16SS0R0J			
R 2657	(B,85,65)	RS1/16SS75R0D	R 3021	(A,42,63) (A) (A,42,63) (D,E)	RS1/16SS0R0J RS1/16SS101J
R 2658	(B,85,66)	RS1/16SS0R0J	R 3022	(A,39,65)	RS1/16SS101J
R 2659	(B,91,59)	RS1/16SS75R0D	R 3023	(A,38,67)	RS1/16SS0R0J
R 2660	(B,92,61)	RS1/16SS101J	R 3024	(A,37,68)	RS1/16SS102J
R 2661	(B,91,61)	RS1/16SS101J	R 3025	(A,48,64) (D,E)	RS1/16SS0R0J
			R 3102	(A,57,59) (A,D,E)	RS1/16SS0R0J
R 2701	(B,78,78)	RS1/10SR0R0J			
R 2703	(B,78,105)	RS1/10SR0R0J	R 3103	(A,55,59) (A,D,E)	RS1/8SQ0R0J
R 2705	(B,71,87)	RS1/16SS473J	R 3104	(A,58,27) (A,D,E)	RS1/16SS0R0J
R 2706	(B,84,82)	RS1/16SS182J	R 3105	(A,64,35) (A,D,E)	RS1/4SA220J
R 2708	(B,66,87)	RS1/16SS0R0J	R 3106	(A,63,31) (A,D,E)	RS1/16SS0R0J
			R 3107	(A,64,40) (A,D,E)	RS1/16SS472J
R 2709	(B,89,88)	RS1/16SS0R0J			
R 2710	(B,65,90)	RS1/16SS0R0J	R 3152	(B,27,43) (A,D,E)	RS1/16SS561J
R 2711	(B,88,85)	RS1/16SS0R0J	R 3153	(A,152,36) (A,D,E)	RS1/10SR2R2J
R 2712	(B,84,83)	RS1/16SS0R0J	R 3155	(B,152,33) (A,D,E)	RS1/16SS104J
R 2713	(B,86,83)	RS1/16SS0R0J	R 3156	(B,28,52) (A,D,E)	RS1/16SS2001D
			R 3157	(B,29,54) (A,D,E)	RS1/16SS1002D
R 2714	(B,88,90)	RS1/16SS0R0J			
R 2715	(A,77,33)	RS1/16SS0R0J	R 3158	(B,29,47) (A,D,E)	RS1/16SS102J
R 2804	(B,101,99)	RS1/16SS103J	R 3159	(B,148,34) (A,D,E)	RS1/16SS0R0J
R 2805	(B,101,98)	RS1/16SS103J	R 3162	(B,143,36) (A,D,E)	RS1/16SS0R0J
R 2806	(B,102,96)	RS1/16SS103J	R 3163	(B,144,36) (A,D,E)	RS1/16SS0R0J
			R 3164	(B,146,37) (A,D,E)	RS1/16SS4303D
R 2807	(B,99,99)	RS1/16SS103J			
R 2808	(B,97,97)	RS1/16SS0R0J	R 3165	(B,147,36) (A,D,E)	RS1/16SS1003D
R 2809	(B,93,92)	RS1/16SS821J	R 3166	(B,146,38) (A,D,E)	RS1/16SS822J
R 2810	(B,102,90)	RS1/16SS102J	R 3167	(B,147,39) (A,D,E)	RS1/16SS124J
R 2811	(B,91,87)	RS1/16SS0R0J	R 3168	(A,25,75) (D,E)	RS1/16SS102J
			R 3169	(A,24,73) (D,E)	RS1/16SS102J
R 2813	(B,90,90)	RS1/16SS104J			
R 2851	(B,57,31) (A,D,E)	RS1/16SS103J	R 3170	(B,40,55) (A,D,E)	RS1/16SS102J
R 2852	(B,64,48) (A,D,E)	RS1/16SS222J	R 3201	(B,5,79) (D,E)	RS1/16SS103J
R 2853	(B,58,25) (A,D,E)	RS1/16SS102J	R 3202	(B,9,75) (D,E)	RS1/4SA471J
R 2854	(B,66,48) (A,D,E)	RS1/16SS222J	R 3203	(B,7,73) (D,E)	RS1/4SA471J
R 2901	(B,33,97) (A,D,E)	RS1/16SS0R0J	R 3204	(B,11,77) (D,E)	RS1/16SS1003D
R 2902	(B,33,95) (B,C)	RS1/16SS0R0J	R 3205	(B,11,74) (D,E)	RS1/16SS1802D
R 2903	(A,37,94)	RS1/16SS221J	R 3206	(A,22,64) (D,E)	RAB4CQ221J
R 2904	(A,40,91)	RS1/16SS751J	R 3207	(A,12,59) (A)	RS1/16SS0R0J
R 2905	(A,45,89) (B,C)	RS1/16SS0R0J			
R 2906	(A,46,94) (A,D,E)	RS1/16SS103J	R 3208	(A,12,57) (A)	RS1/16SS221J
R 2907	(A,51,97) (A,D,E)	RS1/4SA181J	R 3210	(A,22,41) (A)	RAB4CQ221J
			R 3216	(A,22,27) (A)	RAB4CQ0R0J
R 2908	(A,50,95) (A,D,E)	RS1/10SR0R0J	R 3217	(A,14,14) (D,E)	RS1/16SS103J
R 2909	(A,51,86) (A,D,E)	RS1/10SR220J			
R 2912	(A,57,83) (A,D,E)	RS1/16SS0R0J	R 3218	(B,7,85) (D,E)	RS1/16SS911J
R 2913	(A,49,85) (B,C)	RS1/16SS0R0J	R 3228	(A,38,31) (A,D,E)	RS1/10SR0R0J
R 2914	(A,44,91)	RS1/16SS0R0J	R 3229	(A,38,29) (A,D,E)	RS1/10SR0R0J
			R 3230	(A,9,84) (D,E)	RS1/16SS0R0J
R 3001	(A,30,93) (A,B,C) (A,30,93) (D,E)	CCSSCH5R0C50			
R 3002	(A,33,86)	RS1/16SS105J	R 3301	(A,27,47)	RS1/16SS104J
R 3003	(A,36,82)	RS1/16SS152J	R 3302	(A,36,33)	RS1/16SS0R0J
R 3004	(A,32,80)	RS1/16SS105J	R 3303	(A,44,16)	RS1/16SS0R0J
R 3005	(A,34,79)	RS1/16SS471J	R 3304	(A,38,38)	RS1/16SS471J
		RS1/16SS330J	R 3305	(A,33,18)	RS1/16SS0R0J
R 3006	(A,32,76)	RS1/16SS151J			
R 3007	(A,52,73)	RS1/16SS0R0J	R 3306	(A,27,48)	RS1/16SS151J
R 3008	(B,32,70)	RS1/4SA5R6J	R 3307	(B,33,21)	RS1/16SS103J
R 3009	(B,30,70)	RS1/4SA5R6J	R 3308	(B,35,19)	RS1/16SS103J
R 3010	(B,28,70)	RS1/4SA5R6J	R 3309	(B,29,7)	RS1/16SS103J
			R 3310	(B,27,9)	RS1/16SS103J
R 3011	(A,52,65)	RS1/16SS680J			
R 3013	(A,46,63) (A,D,E)	RS1/16SS103J	R 3311	(B,34,9)	RS1/16SS103J
R 3018	(A,44,66) (A,D,E)	RS1/16SS101J	R 3312	(B,26,10)	RS1/16SS103J
R 3019	(A,43,63) (A) (A,43,63) (D,E)	RS1/16SS0R0J RS1/16SS101J	R 3313	(B,33,9)	RS1/16SS103J
R 3020	(A,43,66) (A) (A,43,66) (D,E)	RS1/16SS0R0J RS1/16SS101J	R 3314	(B,26,15)	RS1/16SS103J
			R 3315	(B,35,9)	RS1/16SS103J
			R 3318	(B,28,9)	RS1/16SS221J

1

2

3

4

5		6		7		8	
<u>Circuit Symbol and No.</u>		<u>Part No.</u>		<u>Circuit Symbol and No.</u>		<u>Part No.</u>	
R 3320	(A,31,34)	RS1/16SS0R0J		R 3625	(A,165,16)	RS1/16SS0R0J	
R 3501	(B,38,135)	RS1/16SS152J		R 3626	(A,160,14) (A,D,E)	RS1/16SS0R0J	
R 3510	(B,62,104)	RS1/16SS102J		R 3628	(A,138,16)	RS1/16SS561J	A
R 3511	(B,49,111)	RS1/16SS821J		R 3629	(A,63,7)	RS1/16SS101J	
R 3512	(B,54,111)	RS1/16SS821J		R 3630	(A,159,16)	RS1/16SS101J	
R 3513	(A,41,113) (D,E)	RS1/16SS104J		R 3631	(A,62,12)	RS1/16SS471J	
R 3516	(A,47,104)	RS1/10SR473J		R 3632	(A,139,16)	RS1/16SS681J	
R 3517	(A,40,111) (A,B,C)	RS1/16SS102J		R 3633	(A,140,16)	RS1/16SS681J	
R 3518	(B,61,111)	RS1/16SS102J		R 3634	(A,141,16)	RS1/16SS681J	
R 3519	(B,51,109)	RS1/16SS472J		R 3635	(A,156,16)	RS1/16SS0R0J	
R 3520	(B,52,109)	RS1/16SS472J		R 3636	(A,137,24) (A,D,E)	RS1/10SR0R0J	
R 3521	(A,47,105)	RS1/10SR472J		R 3637	(A,137,25) (A,D,E)	RS1/10SR0R0J	
R 3522	(B,61,112)	RS1/16SS391J		R 3638	(A,137,27) (A,D,E)	RS1/10SR0R0J	
R 3523	(A,38,111) (A,B,C)	RS1/16SS103J		R 3701	(A,65,66)	RS1/16SS223J	B
R 3524	(B,62,111)	RS1/16SS391J		R 3702	(A,67,60)	RS1/16SS223J	
R 3526	(A,36,113) (A,B,C)	RS1/16SS103J		R 3703	(A,69,87)	RS1/16SS104J	
R 3527	(B,50,113)	RS1/10SR223J		R 3704	(A,76,86)	RS1/16SS104J	
R 3529	(B,53,113)	RS1/10SR223J		R 3705	(A,82,84)	RS1/16SS0R0J	
R 3530	(B,60,113)	RS1/16SS0R0J		R 3706	(A,75,93)	RS1/16SS0R0J	
R 3531	(B,49,140)	RS1/16SS0R0J		R 3707	(A,67,99)	RS1/10SR821J	
R 3532	(A,42,107)	RS1/16SS153J		R 3708	(A,76,101)	RS1/10SR821J	
R 3533	(A,35,114) (A,B,C)	RS1/16SS103J		R 3709	(A,82,62) (A,D,E)	RS1/16SS473J	
R 3534	(B,155,120)	RS1/16SS102J		R 3710	(A,82,63) (A,D,E)	RS1/16SS473J	
R 3535	(B,156,117)	RS1/16SS102J		R 3711	(A,82,73) (A,D,E)	RS1/16SS473J	
R 3536	(B,29,111)	RS1/10SR821J		R 3712	(A,82,74) (A,D,E)	RS1/16SS473J	C
R 3537	(B,34,110)	RS1/10SR821J		R 3713	(A,73,71)	RS1/16SS473J	
R 3538	(B,32,109)	RS1/16SS472J		R 3714	(A,73,70)	RS1/16SS473J	
R 3539	(B,36,111)	RS1/10SR821J		R 3715	(A,72,61)	RS1/16SS473J	
R 3540	(B,41,110)	RS1/10SR821J		R 3716	(A,72,60)	RS1/16SS473J	
R 3541	(B,39,109)	RS1/16SS472J		R 3717	(A,84,68) (A,D,E)	RS1/16SS0R0J	
R 3542	(B,42,111)	RS1/10SR821J		R 3718	(A,71,66)	RS1/16SS0R0J	
R 3543	(B,47,110)	RS1/10SR821J		R 3719	(A,83,72) (A,D,E)	RS1/16SS473J	
R 3544	(B,45,109)	RS1/16SS472J		R 3720	(A,71,62)	RS1/16SS473J	
R 3545	(B,30,109)	RS1/16SS472J		R 3721	(A,83,64) (A,D,E)	RS1/16SS473J	
R 3546	(B,37,109)	RS1/16SS472J		R 3722	(A,71,69)	RS1/16SS473J	
R 3547	(B,43,109)	RS1/16SS472J		R 3723	(A,71,98)	RS1/16SS104J	D
R 3548	(B,33,113)	RS1/10SR223J		R 3724	(A,72,99)	RS1/16SS104J	
R 3549	(B,39,113)	RS1/10SR223J		R 3725	(A,80,74) (A,D,E)	RS1/16SS473J	
R 3550	(B,46,113)	RS1/10SR223J		R 3726	(A,74,60)	RS1/16SS473J	
R 3551	(B,30,113)	RS1/10SR223J		R 3727	(A,80,62) (A,D,E)	RS1/16SS473J	
R 3552	(B,36,113)	RS1/10SR223J		R 3728	(A,75,71)	RS1/16SS473J	
R 3553	(B,43,113)	RS1/10SR223J		R 3729	(A,76,68) (A,D,E)	RS1/16SS0R0J	
R 3554	(A,22,117)	RS1/16SS102J		R 3730	(A,78,65)	RS1/16SS0R0J	
R 3555	(A,24,117)	RS1/16SS102J		R 3731	(A,72,105)	RS1/10SR473J	
R 3556	(A,23,117)	RS1/16SS102J		R 3732	(A,68,105)	RS1/10SR473J	
R 3558	(B,102,14) (D,E)	RS1/16SS470J		R 3733	(A,73,105)	RS1/10SR124J	E
R 3560	(A,51,107)	RS1/16SS681J		R 3734	(A,67,105)	RS1/10SR124J	
R 3602	(A,32,12) (A,B,C)	RS1/16SS0R0J		R 3736	(B,74,111)	RS1/16SS0R0J	
R 3603	(A,33,12) (A,B,C)	RS1/16SS0R0J		R 3737	(A,77,75) (A,D,E)	RS1/16SS104J	
R 3608	(A,111,31)	RS1/16SS0R0J		R 3738	(A,78,75) (A,D,E)	RS1/16SS104J	
R 3609	(A,135,14)	RS1/16SS0R0J		R 3739	(A,64,107)	RS1/16SS473J	
R 3613	(A,157,16)	RS1/16SS0R0J		R 3740	(A,75,107)	RS1/16SS473J	
R 3614	(A,158,14)	RS1/16SS0R0J		R 3742	(A,71,115)	RS1/16SS0R0J	
R 3616	(A,163,14)	RS1/16SS0R0J		R 3743	(A,74,74) (A,D,E)	RS1/16SS0R0J	
R 3617	(A,65,7)	RS1/16SS0R0J		R 3744	(A,64,110)	RS1/10SR473J	
R 3618	(A,64,7)	RS1/16SS0R0J		R 3745	(A,76,110)	RS1/10SR473J	F
R 3619	(A,111,32)	RS1/16SS0R0J		R 3746	(A,72,83) (A,D,E)	RS1/16SS0R0J	
R 3620	(A,140,19)	RS1/16SS0R0J		R 3747	(A,77,83) (A,D,E)	RS1/16SS104J	
R 3621	(A,141,19)	RS1/16SS0R0J		R 3748	(A,76,83) (A,D,E)	RS1/16SS104J	
R 3623	(A,163,16)	RS1/16SS0R0J		R 3749	(A,75,83) (A,D,E)	RS1/16SS473J	
R 3624	(A,164,14)	RS1/16SS0R0J					

5		6		7		8	
<u>Circuit Symbol and No.</u>		<u>Part No.</u>		<u>Circuit Symbol and No.</u>		<u>Part No.</u>	
C 2610	(B,97,78)	CKSRYB105K10		C 2802	(B,105,97) 10 uF	CCG1192	
C 2611	(B,96,78)	CKSRYB105K10		C 2803	(B,102,97)	CCSSCH221J50	
C 2612	(B,95,78)	CKSRYB105K10		C 2804	(B,99,98)	CCSSCH221J50	A
C 2613	(B,94,63)	CKSSYB104K10		C 2805	(B,98,89)	CKSSYB104K16	
C 2614	(B,93,78)	CKSRYB105K10		C 2807	(B,95,94)	CKSRYB105K10	
C 2615	(B,93,63)	CKSSYB104K10		C 2808	(B,102,92)	CKSSYB103K16	
C 2616	(B,92,78)	CKSRYB105K10		C 2810	(B,103,92) 10 uF	CCG1234	
C 2617	(B,92,63)	CKSSYB104K10		C 2851	(B,59,31) (A,D,E)	CKSSYB104K16	
C 2618	(B,91,78) (A,B,C)	CKSRYB105K10		C 2901	(B,30,95) (B,C)	CCSSCH330J50	
C 2619	(B,91,63)	CKSSYB104K10		C 2902	(B,27,97) (A,D,E)	CCSSCH270J50	
C 2620	(B,89,78) (A,B,C)	CKSRYB105K10		C 2903	(B,29,99) (A,D,E)	CCSSCH270J50	
C 2621	(B,90,63)	CKSSYB104K10		C 2904	(B,30,100) (A,D,E)	CCSSCH270J50	
C 2622	(B,88,78) (A,B,C)	CKSRYB105K10		C 2905	(B,35,97) (A,D,E)	CCSSCH220J50	
C 2623	(B,89,63)	CKSSYB104K10		C 2906	(B,35,99) (A,D,E)	CCSSCH270J50	B
C 2624	(B,85,79) (A,D,E)	CKSRYB105K10		C 2908	(B,37,99) (A,D,E)	CCSSCH220J50	
C 2625	(B,88,63)	CKSSYB104K10		C 2910	(A,39,97)	CCSSCH6R0D50	
C 2626	(B,85,77) (A,D,E)	CKSRYB105K10		C 2911	(A,38,93)	CKSSYB103K16	
C 2627	(B,87,63)	CKSSYB104K10		C 2913	(A,41,92)	CKSSYB103K16	
C 2628	(B,85,76) (A,D,E)	CKSRYB105K10		C 2914	(A,51,81)	CKSSYB103K16	
C 2629	(B,86,63)	CKSSYB104K10		C 2917	(A,45,91) (A,D,E)	CKSSYB103K16	
C 2630	(B,81,66) 10 uF	CCG1192		C 2919	(A,52,87) (A,D,E)	CKSSYB103K16	
C 2631	(B,85,67)	CKSSYB104K10		C 2921	(A,57,93) (A,D,E)	CCSSCH270J50	
C 2632	(B,85,68)	CKSSYB104K10		C 2922	(A,47,95) (A,D,E)	CKSSYB103K16	
C 2633	(B,85,72)	CCSSCH820J50		C 2924	(B,31,96) (B,C)	CCSSCH5R0C50	
C 2634	(B,85,70)	CCSSCH820J50		C 3001	(A,29,92)	CKSSYB103K16	C
C 2635	(B,84,73) 10 uF	CCG1192		C 3002	(A,45,84)	CKSSYB104K10	
C 2636	(B,83,70) 10 uF	CCG1192		C 3003	(A,41,83)	CKSSYB104K10	
C 2637	(B,95,63)	CKSSYB104K10		C 3004	(A,42,84)	CKSSYB104K10	
C 2638	(B,96,63)	CKSSYB104K10		C 3005	(A,49,81)	CKSSYB103K16	
C 2702	(B,69,87)	CKSSYB104K10		C 3006	(A,35,82)	CCSSCJ3R0C50	
C 2703	(B,67,92)	CKSYB475K16		C 3007	(A,36,84)	CKSSYB223K16	
C 2705	(B,68,89)	CKSRYB105K10		C 3008	(A,48,82)	CKSSYB223K16	
C 2706	(B,68,90)	CKSRYB105K10		C 3009	(A,48,83)	CKSSYB103K16	
C 2707	(B,67,94)	CKSRYB105K10		C 3010	(A,47,85)	CKSRYB105K10	
C 2708	(B,67,95)	CKSRYB105K10		C 3011	(A,44,84)	CKSSYB223K16	
C 2709	(B,67,97)	CKSRYB105K10		C 3012	(A,43,82)	CKSSYB103K16	D
C 2710	(B,76,101)	CKSSYB104K16		C 3013	(A,40,83)	CKSSYB103K16	
C 2711	(B,77,82)	CKSSYB104K10		C 3014	(A,38,84) 10 uF	CCG1192	
C 2712	(B,77,102) 10 uF	CCG1236		C 3015	(A,50,80)	CKSSYB223K16	
C 2713	(B,76,99)	CCSSCH100D50		C 3016	(A,53,80)	CKSRYB224K16	
C 2714	(B,74,83) 10 uF	CCG1192		C 3017	(A,32,81) 10 uF	CCG1192	
C 2715	(B,80,100) 10 uF	CCG1236		C 3018	(A,52,78)	CKSSYB104K10	
C 2716	(B,77,84)	CCSSCH100D50		C 3019	(A,53,77)	CKSRYB105K10	
C 2717	(B,79,83)	CKSRYB474K10		C 3020	(A,34,80)	CKSSYB104K10	
C 2718	(B,81,83)	CKSQYB225K10		C 3021	(A,55,75)	CKSSYB472K25	
C 2719	(B,83,100)	CKSRYB105K10		C 3022	(A,55,76)	CKSSYB472K25	
C 2720	(B,82,83)	CKSSYB222K50		C 3023	(A,32,79)	CCSSCH101J50	E
C 2721	(B,87,92)	CKSYB475K16		C 3024	(A,38,81)	CKSSYB104K10	
C 2722	(B,87,94)	CCSQCH223J50		C 3025	(A,30,78)	CKSSYB103K16	
C 2723	(B,87,95)	CCSQCH223J50		C 3026	(A,55,74)	CCSSCH9R0D50	
C 2724	(B,87,97)	CKSRYB105K10		C 3027	(A,52,74)	CKSSYB104K10	
C 2725	(B,86,85)	CKSRYB105K10		C 3028	(A,34,75)	CKSRYB391K50	
C 2726	(B,84,85)	CKSRYB105K10		C 3029	(A,35,72)	CKSSYB104K16	
C 2727	(B,86,87)	CKSRYB105K10		C 3030	(A,34,69)	CKSRYB474K10	
C 2728	(B,86,89)	CKSRYB105K10		C 3031	(A,35,74)	CKSSYB104K16	
C 2729	(B,86,90)	CKSRYB105K10		C 3032	(A,34,67)	CKSSYB104K10	
C 2730	(B,85,85)	CKSRYB105K10		C 3033	(A,56,68)	CCSSCH9R0D50	F
C 2731	(B,77,83)	CCSSCH820J50		C 3036	(A,33,74)	CKSSYB104K16	
C 2732	(B,76,100)	CCSSCH820J50		C 3039	(A,37,65)	CKSSYB104K10	
C 2801	(B,107,97) 10 uF	CCG1192		C 3040	(A,51,66)	CKSSYB104K10	

1

Circuit Symbol and No.

C 3042 (A,48,65) 4.7 uF
 C 3043 (A,48,66)
 C 3044 (A,41,66)

A

C 3045 (A,37,69)
 C 3046 (B,39,75)
 C 3047 (B,37,73)
 C 3048 (B,42,73)
 C 3049 (B,35,66)

C 3102 (A,48,42) (A,D,E)
 C 3103 (A,48,34) (A,D,E)
 C 3104 (A,48,30) (A,D,E)
 C 3105 (A,63,32) (A,D,E)
 C 3106 (A,63,41) (A,D,E)

B

C 3107 (A,62,38) (A,D,E)
 C 3108 (A,63,38) (A,D,E)
 C 3109 (A,62,36) (A,D,E)
 C 3111 (A,64,38) (A,D,E)
 C 3151 (B,30,43) (A,D,E)

C 3152 (A,144,27) 47 uF(A,D,E)
 C 3153 (B,28,43) 4.7 uF(A,D,E)
 C 3154 (B,39,52) 4.7 uF(A,D,E)
 C 3155 (A,152,33) (A,D,E)
 C 3156 (B,36,43) 4.7 uF(A,D,E)

C

C 3157 (A,159,34) 10 uF(A,D,E)
 C 3159 (B,155,38) (A,D,E)
 C 3160 (B,152,35) (A,D,E)
 C 3161 (B,29,51) 4.7 uF(A,D,E)
 C 3162 (A,29,65) 4.7 uF(D,E)
 C 3164 (B,146,36) (A,D,E)
 C 3166 (A,27,75) 4.7 uF(D,E)

C 3167 (B,145,39) (A,D,E)
 C 3168 (A,28,74) (D,E)
 C 3201 (A,7,80) (D,E)
 C 3202 (A,7,79) (D,E)

D

C 3205 (A,22,44) 10 uF(A,D,E)
 C 3207 (A,23,33) 10 uF(A,D,E)
 C 3210 (B,9,85) (D,E)
 C 3211 (B,12,7) (A)
 C 3301 (B,49,22)

C 3302 (A,32,49)
 C 3303 (A,35,17)
 C 3304 (A,28,47)
 C 3305 (A,32,48)
 C 3306 (A,31,48)

E

C 3307 (B,48,19)
 C 3308 (A,43,16)
 C 3309 (A,33,34)
 C 3311 (A,37,35)
 C 3313 (B,34,21)

C 3314 (B,30,20)
 C 3315 (B,28,21)
 C 3316 (B,29,19)
 C 3317 (B,30,10)
 C 3318 (B,31,9)

C 3319 (B,36,16) 10 uF
 C 3501 (B,40,134) 10 uF
 C 3505 (B,64,107)
 C 3506 (B,49,109) 4.7 uF
 C 3507 (B,54,109) 4.7 uF

F

C 3508 (A,57,107)

2

Part No.

CCG1212
 CKSSYB104K10
 CKSSYB104K10

CKSSYB102K50
 CKSRYB104K50
 CKSRYB104K50
 CKSRYB104K50
 CKSRYB104K50

CKSSYB102K50
 CKSSYB104K10
 CCSSCH130J50
 CKSSYB104K10
 CKSSYB103K16

CKSSYB104K10
 CKSSYB103K16
 CKSRYB105K16
 CKSSYB104K10
 CKSSYB104K10

CCG1229
 CCG1212
 CCG1201
 CKSRYB102K50
 CCG1201

CCG1236
 CKSRYB474K16
 CKSSYB104K10
 CCG1212
 CCG1201
 CCSSCH680J50
 CCG1212

CKSSYB222K50
 CKSSYB104K10
 CCSSCH101J50
 CKSRYB104K50

CCG1234
 CCG1234
 CKSSYB104K16
 CKSSYB104K16
 CKSSYB104K16

CKSSYB104K16
 CKSSYB104K16
 CKSSYB104K16
 CKSSYB104K16
 CKSSYB104K16

CKSRYB474K10
 CKSSYB104K10
 CKSRYB105K10
 CKSSYB104K10
 CKSSYB104K16

CKSSYB104K16
 CKSRYB105K10
 CKSSYB104K10
 CKSSYB104K10
 CKSRYB105K10

CCG1192
 CCG1234
 CKSSYB104K10
 CCG1201
 CCG1201

XCEVW470M16

3

Circuit Symbol and No.

C 3509 (B,33,106) 10 uF
 C 3510 (B,29,106) 10 uF
 C 3511 (B,40,106) 10 uF
 C 3512 (B,36,106) 10 uF

C 3513 (B,47,106) 10 uF
 C 3514 (B,42,106) 10 uF
 C 3515 (A,36,111) (A,B,C)
 C 3516 (A,30,113)
 C 3518 (B,155,119)

C 3519 (B,156,121)
 C 3522 (A,21,116)
 C 3523 (B,96,11) (D,E)
 C 3701 (A,81,90) (B,C)

C 3702 (A,69,91) (B,C)
 C 3703 (A,69,89) (A,D,E)
 C 3704 (A,81,92) (A,D,E)
 C 3705 (A,79,88)

C 3706 (A,81,86) 10 uF
 C 3707 (A,67,96)
 C 3708 (A,76,99)
 C 3709 (A,86,64) 10 uF(A,D,E)
 C 3710 (A,86,66) 10 uF(A,D,E)

C 3711 (A,86,68) 10 uF(A,D,E)
 C 3712 (A,86,70) 10 uF(A,D,E)
 C 3713 (A,68,70) 10 uF
 C 3714 (A,68,68) 10 uF
 C 3715 (A,68,64) 10 uF

C 3716 (A,68,62) 10 uF
 C 3717 (A,83,71) (A,D,E)
 C 3718 (A,71,63)
 C 3719 (A,83,65) (A,D,E)
 C 3720 (A,71,68)

C 3721 (A,80,73) (A,D,E)
 C 3722 (A,74,61)
 C 3723 (A,80,63) (A,D,E)
 C 3724 (A,75,70)
 C 3725 (A,77,70) (A,D,E)

C 3726 (A,77,64)
 C 3727 (A,67,102)
 C 3728 (A,73,102)
 C 3729 (A,78,72) (A,D,E)
 C 3730 (A,76,62)

C 3731 (A,69,102) 4.7 uF
 C 3732 (A,71,102) 4.7 uF
 C 3733 (A,71,80) (A,D,E)
 C 3734 (A,81,76) (A,D,E)
 C 3735 (A,71,77) (A,D,E)

C 3736 (A,81,80) (A,D,E)
 C 3740 (A,75,75) (A,D,E)
 C 3741 (A,65,107)
 C 3742 (A,76,107)
 C 3743 (A,69,113)

C 3746 (A,65,113)
 C 3747 (A,75,113)
 C 3748 (A,80,88)
 C 3749 (A,69,114)
 C 3801 (B,122,80)

C 3803 (B,134,84)
 C 3804 (B,129,74)
 C 3805 (B,142,73)

4

Part No.

CCG1236
 CCG1236
 CCG1236
 CCG1236

CCG1236
 CCG1236
 CKSSYB104K10
 CKSRYB102K50
 CKSSYB102K50

CKSSYB102K50
 CKSRYB103K50
 CKSSYB104K10
 CKSRYB105K16

CKSRYB105K16
 CKSRYB105K16
 CKSRYB105K16
 CKSSYB104K16

CCG1192
 CKSRYB105K16
 CKSRYB105K16
 CCG1192
 CCG1192

CCG1192
 CCG1192
 CCG1192
 CCG1192
 CCG1192

CCG1192
 CCSSCH330J50
 CCSSCH330J50
 CCSSCH330J50
 CCSSCH330J50

CCSSCH330J50
 CCSSCH330J50
 CCSSCH330J50
 CCSSCH330J50
 CKSRYB105K16

CKSRYB105K16
 CKSRYB105K16
 CKSRYB105K16
 CKSSYB104K16
 CKSSYB104K16

CCG1201
 CCG1201
 CKSRYB105K16
 CKSRYB105K16
 CKSRYB105K16

CKSRYB105K16
 CKSSYB104K16
 CCSSCH220J50
 CCSSCH220J50
 CKSRYB104K50

CCSSCH220J50
 CCSSCH220J50
 CCSSCH820J50
 CCSSCH820J50
 CKSRYB103K50

CKSRYB153K50
 CCSRCH102J50
 CKSRYB104K50

5		6		7		8	
<u>Circuit Symbol and No.</u>		<u>Part No.</u>		<u>Circuit Symbol and No.</u>		<u>Part No.</u>	
C 3806	(B,129,72)	CCSSCH100D50		Q 454	(A,45,83) Chip Transistor	RN4982	
C 3807	(B,133,70)	CCSSCH220J50		Q 501	(B,98,104) Transistor(A,D,E)	LTC014EEB	
C 3808	(B,132,70)	CKSRYB222K50		Q 502	(B,102,102) Transistor(A,D,E)	LSAR523UB	A
C 3809	(B,142,79) 4.7 uF	CCG1201		Q 601	(B,119,56) Transistor	LSCR523UB	
C 3810	(B,141,77)	CKSRYB104K50		Q 1101	(A,155,50) Chip Transistor	2SB1689	
C 3811	(B,131,84)	CKSRYB472K50		Q 1102	(A,155,47) Transistor	LSCR523UB	
C 3812	(B,131,85)	CCSSCH100D50		Q 1203	(B,163,61) Transistor	2SB1132	
C 3813	(B,140,83)	CKSRYB104K50		Q 1701	(A,38,105) Transistor(A,B,C)	2SB1132	
C 3814	(B,129,81)	CCSSCH8R0D50		Q 1702	(A,37,93) Transistor(A,B,C)	LTC014EEB	
C 3815	(B,129,79)	CCSRCH102J50		Q 1703	(A,45,104) Transistor(A,B,C)	2SD2153	
C 3816	(B,139,72)	CKSSYB222K50		Q 1801	(B,83,87) Chip Transistor	RN4982	
C 3817	(A,124,71) 22 uF	CCG1254		Q 1802	(B,80,84) Chip Transistor	HN1C03FU	
C 3818	(A,122,82) 22 uF	CCG1254		Q 1803	(A,72,71) Transistor	2SB1260	
C 3819	(A,144,72) 10 uF	CCG1236		Q 1804	(A,65,71) Transistor	LTC014EEB	B
C 3820	(A,143,82) 10 uF	CCG1236		D 501	(A,110,84) Diode(A,D,E)	DA2J101	
C 3821	(A,121,70) 47 uF	CCG1229		D 503	(B,113,98) Diode(A,D,E)	EZAEG2A50AX	
C 3822	(A,122,79) 47 uF	CCG1229		D 504	(B,115,98) Diode(A,D,E)	EZAEG2A50AX	

B
Unit Number : CXX5399(A)
Unit Number : CXX5400(B,C)
Unit Number : CXX5402(D,E)
Unit Name : Navi Unit(Service)

MISCELLANEOUS

IC 1	(B,79,114) IC	NJM2387ADL3		D 505	(B,115,99) Diode(A,D,E)	EZAEG2A50AX	
IC 201	(A,35,59) IC	ML7037-003TBZ0		D 506	(B,117,99) Diode(A,D,E)	EZAEG2A50AX	
IC 301	(B,127,78) IC(A,D,E)	WM8761BGED		D 507	(B,117,98) Diode(A,D,E)	EZAEG2A50AX	
IC 302	(B,119,79) 1 Chip or Gate(A,D,E)	TC7SH32FUS1		D 508	(B,119,98) Diode(A,D,E)	EZAEG2A50AX	
IC 303	(B,131,22) IC	WM8761BGED		D 509	(B,120,99) Diode(A,D,E)	EZAEG2A50AX	
IC 304	(B,117,28) IC	WM8761BGED		D 510	(B,121,99) Diode(A,D,E)	EZAEG2A50AX	
IC 305	(A,93,49) IC	WM8761BGED		D 511	(B,104,98) Diode(A,D,E)	EZAEG2A50AX	
IC 451	(A,37,75) Dual OP-AMP	NJM4565V		D 512	(B,102,97) Diode(A,D,E)	EZAEG2A50AX	C
IC 454	(A,30,84) Dual OP-AMP	NJM4565V		D 514	(B,94,111) Diode(A,D,E)	1SR154-400	
IC 501	(B,117,89) IC(A,D,E)	MN864779KT		D 1110	(A,94,38) Diode	RB520G-30	
IC 502	(B,94,104) Regulator IC(A,D,E)	S-1172B33-E6		D 1111	(A,95,38) Diode	RB520G-30	
IC 503	(B,94,92) Regulator IC(A,D,E)	S-1172B12-E6		D 1401	(A,137,117) Diode	EZAEG2A50AX	
IC 602	(B,105,66) IC	DT090197S		D 1402	(A,135,117) Diode	EZAEG2A50AX	
IC 603	(A,82,68) Regulator IC	S-1172B15-E6		D 1410	(B,142,119) Diode	DZ2J068M0	
IC 604	(A,88,60) Regulator IC	NJM2878F3-25		D 1411	(A,57,96) Diode	DB2X41400	
IC 702	(B,80,60) IC	DS90C241QVS		D 1501	(B,38,117) Diode(A,D,E)	DZ2J068M0	
IC 901	(A,129,68) ASIC	UPD65945GJ-Y30		D 1708	(A,46,108) Diode(A,B,C)	RKZ16KG(B2)	
IC 1204	(B,153,62) IC	NJM2115V		L 1	(B,37,56) Inductor	CTF1787	D
IC 1401	(A,132,100) IC	BH7673G		L 2	(B,35,56) Inductor	CTF1787	
IC 1402	(A,127,100) IC	BH7673G		L 3	(B,36,56) Inductor	CTF1787	
IC 1403	(B,129,100) IC	BH7673G		L 4	(B,40,44) Inductor	CTF1787	
IC 1404	(A,61,103) IC	OZ529IGN		L 5	(B,40,45) Inductor	CTF1787	
IC 1501	(B,35,90) IC(A,D,E)	TPS2034D		L 6	(B,38,44) Inductor	CTF1787	
IC 1502	(B,29,88) IC(A,D,E)	TC7SH08FUS1		L 201	(A,41,71) Chip Ferrite Bead	DTL1107	
IC 1701	(B,11,110) L-MOS And Gate(A,B,C)	TC7SET08FUS1		L 301	(B,124,70) Chip Ferrite Bead(A,D,E)	DTL1107	
IC 1702	(B,18,111) L-MOS And Gate(A,B,C)	TC7SET08FUS1		L 302	(B,129,15) Chip Ferrite Bead	DTL1107	
IC 1703	(B,19,100) IC(A,B,C)	TC7SH08FUS1		L 303	(B,114,20) Chip Ferrite Bead	DTL1107	
Q 1	(A,82,36) Transistor	2SB1260		L 304	(A,90,56) Chip Ferrite Bead	DTL1107	
Q 2	(A,85,33) Transistor	LTC014EEB		L 501	(B,125,89) Chip Beads(A,D,E)	VTL1126	
Q 3	(B,36,74) Transistor	2SA1834F5		L 502	(B,118,96) Filter(A,D,E)	CTF1834	
Q 4	(B,31,81) Transistor	LSCR523UB		L 503	(B,121,96) Filter(A,D,E)	CTF1834	
Q 5	(B,84,119) Transistor	LTC014EEB		L 504	(B,114,96) Filter(A,D,E)	CTF1834	
Q 453	(A,45,79) Transistor	DTC623TU		L 505	(B,116,96) Filter(A,D,E)	CTF1834	
				L 506	(A,114,94) Ferrite Bead(A,D,E)	CTF1528	
				L 507	(B,109,89) Chip Beads(A,D,E)	VTL1126	
				L 603	(A,92,68) Chip Ferrite Bead	BTX1047	
				L 604	(A,114,59) Inductor	CTF1635	
				L 605	(A,100,77) Chip Ferrite Bead	BTX1047	
				L 606	(A,98,55) Inductor	CTF1635	
				L 607	(A,93,64) Chip Ferrite Bead	BTX1047	F
				L 707	(B,81,49) Inductor	CTF1731	
				L 708	(A,71,57) Chip Ferrite Bead	BTX1047	
				L 801	(B,103,16) Chip Ferrite Bead	BTX1047	

	1	2	3	4
	<u>Circuit Symbol and No.</u>	<u>Part No.</u>	<u>Circuit Symbol and No.</u>	<u>Part No.</u>
	L 901 (A,139,82) Ferrite Bead	CTF1528	L 1407 (B,139,112) Inductor	CTF1795
	L 902 (A,144,70) Ferrite Bead	CTF1528	L 1501 (B,31,94) Inductor(A,D,E)	CTF1795
A	L 903 (B,143,58) Ferrite Bead	CTF1528	L 1701 (A,36,111) Inductor(A,B,C)	CTF1738
	L 904 (A,121,52) Ferrite Bead	CTF1528	L 1705 (B,18,118) Inductor(A,B,C)	CTF1787
	L 905 (B,118,68) Ferrite Bead	CTF1528	X 201 (A,45,64) Resonator 12.288 MHz	CSS1811
	L 906 (A,122,84) Ferrite Bead	CTF1528	X 501 (B,107,93) Resonator 27.000 MHz(A,D,E)	CSS1768
	L 907 (B,118,75) Inductor	CTF1795	X 601 (B,121,62) Crystal Resonator 42 MHz	CSS1604
	L 908 (B,117,73) Inductor	CTF1795	△ P1701 (A,44,101) Fuse 1.0 A(A,B,C)	CEK1381
	L 909 (A,116,59) Inductor	CTF1795	U 1301 (B,42,25) BT Module	CWX3984
	L 910 (A,127,54) Inductor	CTF1795	CN1 (B,42,51) Connector	CKS5586
	L 911 (A,126,54) Inductor	CTF1795	CN2 (B,146,7) Connector	CKS6464
	L 912 (A,122,81) Inductor	CTF1795	CN3 (B,52,75) Connector	CKS6496
	L 913 (A,123,81) Inductor	CTF1795	CN4 (B,64,123) Connector	CKS4977
B	L 914 (A,130,82) Inductor(A)	CTF1795	CN805 (B,104,10) Connector	CKS6535
	L 915 (A,129,81) Inductor(A)	CTF1795	CN1001 (B,142,102) Terminal	CKF1084
	L 916 (A,133,82) Inductor(A,D,E)	CTF1795	CN1002 (B,103,39) Connector	CKS6399
	L 917 (A,132,81) Inductor(A,D,E)	CTF1795	CN1003 (B,138,39) Connector	CKS6399
	L 918 (A,143,73) Inductor	CTF1795	CN1004 (B,86,23) Terminal	CKF1084
	L 919 (A,143,71) Inductor(A,D,E)	CTF1795	CN1101 (A,158,5) Connector	CKS6527
	L 1001 (B,100,45) Chip Beads	VTL1126	CN1401 (B,139,127) Connector	CKS5867
	L 1002 (B,101,46) Chip Beads	VTL1126	CN1801 (A,79,84) Connector	CKS6025
	L 1003 (B,101,45) Chip Beads	VTL1126	JA 101 (B,8,127) Jack	CKN1040
	L 1004 (B,102,46) Chip Beads	VTL1126	JA 501 (B,115,107) Connector(A,D,E)	CKS6560
	L 1005 (B,103,45) Chip Beads	VTL1126	JA 1101 (A,136,25) Connector	YKS5040
C	L 1006 (B,103,46) Chip Beads	VTL1126	JA 1202 (B,158,127) Connector	CKS5702
	L 1007 (B,104,45) Chip Beads	VTL1126	JA 1501 (B,43,127) USB Jack(A,D,E)	CKN1091
	L 1008 (B,105,46) Chip Beads	VTL1126	JA 1701 (B,23,129) Connector(A,B,C)	CKS6495
	L 1009 (B,106,45) Chip Beads	VTL1126	UA1201 (B,153,83) GPS Unit	CWX4204
	L 1010 (B,106,46) Chip Beads	VTL1126		
	L 1011 (B,107,45) Chip Beads	VTL1126		
	L 1012 (B,107,46) Chip Beads	VTL1126		
	L 1013 (B,101,31) Chip Beads	VTL1126		
	L 1014 (B,102,33) Chip Beads	VTL1126		
	L 1015 (B,103,33) Chip Beads	VTL1126		
	L 1016 (B,104,31) Chip Beads	VTL1126		
D	L 1017 (B,104,33) Chip Beads	VTL1126		
	L 1018 (B,105,31) Chip Beads	VTL1126		
	L 1019 (B,106,33) Chip Beads	VTL1126		
	L 1020 (B,106,31) Chip Beads	VTL1126		
	L 1021 (B,126,33) Chip Beads	VTL1127		
	L 1022 (B,126,45) Chip Beads	VTL1126		
	L 1023 (B,100,33) Chip Beads	VTL1126		
	L 1024 (B,132,33) Chip Beads	VTL1127		
	L 1025 (B,102,32) Chip Beads	VTL1126		
	L 1026 (B,136,45) Inductor	CTF1787		
E	L 1027 (B,135,47) Inductor	CTF1787		
	L 1028 (B,137,45) Inductor	CTF1787		
	L 1101 (A,135,44) Inductor	CTF1736		
	L 1102 (A,106,36) Inductor	CTF1736		
	L 1201 (B,153,71) Inductor	LCYC1R0K2125		
	L 1202 (B,157,67) Chip Ferrite Bead	OTL8019		
	L 1203 (B,149,71) Inductor	CTF1547		
	L 1204 (B,147,62) Inductor	CTF1795		
	L 1205 (B,162,67) Inductor	CTF1795		
	L 1301 (B,38,38) Inductor	CTF1735		
F	L 1401 (A,136,115) Choke Coil 90 ohm	CTH1319		
	L 1403 (B,59,108) Choke Coil 33 uH	CTH1417		
	L 1405 (B,140,112) Inductor	CTF1795		
	L 1406 (B,138,112) Inductor	CTF1795		
			R 2 (A,83,40)	RS1/16SS473J
			R 3 (A,85,36)	RS1/10SR561J
			R 4 (B,76,123)	RS1/16SS0R0J
			R 5 (B,28,75)	RS1/4SA560J
			R 6 (B,38,82)	RS1/10SR103J
			R 7 (B,35,82)	RS1/4SA470J
			R 8 (B,31,79)	RS1/16SS103J
			R 9 (B,33,79)	RS1/16SS332J
			R 10 (A,87,33)	RS1/16SS0R0J
			R 35 (B,84,115)	RS1/16SS1002D
			R 36 (B,84,117)	RS1/16SS2701D
			R 37 (B,84,118)	RS1/16SS2001D
			R 38 (B,77,123)	RS1/16SS473J
			R 39 (B,73,119)	RS1/4SA0R0J
			R 111 (A,17,113)	RS1/16SS0R0J
			R 112 (A,6,112)	RS1/16SS102J
			R 114 (A,8,115)	RS1/16SS102J
			R 201 (A,39,69)	RS1/16SS0R0J
			R 202 (A,25,61)	RS1/16SS0R0J
			R 203 (A,34,50)	RS1/16SS0R0J
			R 204 (A,36,70)	RS1/16SS0R0J
			R 206 (A,27,61)	RS1/16SS103J
			R 207 (A,39,50)	RS1/16SS561J
			R 208 (A,36,49)	RS1/16SS0R0J
			R 210 (A,43,58)	RS1/16SS0R0J
			R 211 (A,43,61)	RS1/16SS102J
			R 212 (A,43,62)	RS1/16SS105J
			R 213 (A,43,59)	RS1/16SS681J
			R 214 (A,43,60)	RS1/16SS681J
			R 215 (A,33,69)	RS1/16SS333J

RESISTORS

5
Circuit Symbol and No.

6
Part No.

7
Circuit Symbol and No.

8
Part No.

R 216	(A,33,67)	RS1/16SS104J	R 517	(A,122,89) (A,D,E)	RS1/16SS333J
R 217	(A,31,68)	RS1/16SS124J	R 518	(B,127,89) (A,D,E)	RS1/16SS101J
R 218	(A,30,70)	RS1/16SS123J	R 519	(B,125,91) (A,D,E)	RS1/16SS681J
R 219	(A,27,55)	RS1/16SS681J	R 520	(B,125,92) (A,D,E)	RS1/16SS681J
R 220	(A,27,56)	RS1/16SS681J	R 521	(B,125,93) (A,D,E)	RS1/16SS681J
R 221	(A,27,57)	RS1/16SS561J	R 524	(A,108,85) (A,D,E)	RS1/16SS0R0J
R 222	(A,27,58)	RS1/16SS561J	R 525	(A,121,97) (A,D,E)	RS1/16SS0R0J
R 301	(B,133,17)	RS1/16SS0R0J	R 526	(A,117,82) (A,D,E)	RS1/16SS0R0J
R 302	(B,122,78) (A,D,E)	RS1/16SS0R0J	R 527	(B,115,78) (A,D,E)	RAB4CQ220J
R 304	(B,128,73) (A,D,E)	RS1/16SS0R0J	R 528	(B,112,78) (A,D,E)	RAB4CQ220J
R 305	(B,121,75) (A,D,E)	RS1/16SS821J	R 529	(B,115,81) (A,D,E)	RAB4CQ0R0J
R 306	(B,132,75) (A,D,E)	RS1/16SS821J	R 530	(B,112,81) (A,D,E)	RAB4CQ0R0J
R 307	(B,126,20)	RS1/16SS821J	R 531	(B,107,84) (A,D,E)	RAB4CQ220J
R 308	(B,137,20)	RS1/16SS821J	R 532	(B,107,87) (A,D,E)	RAB4CQ220J
R 310	(B,126,22)	RS1/16SS0R0J	R 533	(B,109,84) (A,D,E)	RAB4CQ0R0J
R 313	(B,111,25)	RS1/16SS821J	R 534	(B,109,87) (A,D,E)	RAB4CQ0R0J
R 314	(B,111,29)	RS1/16SS0R0J	R 535	(B,107,89) (A,D,E)	RS1/16SS331J
R 317	(A,87,48)	RS1/16SS0R0J	R 536	(B,127,87) (A,D,E)	RS1/16SS220J
R 319	(A,87,52)	RS1/16SS821J	R 537	(B,127,86) (A,D,E)	RS1/16SS220J
R 454	(A,24,82)	RS1/16SS0R0J	R 538	(B,127,88) (A,D,E)	RS1/16SS220J
R 455	(B,38,57)	RS1/16SS0R0J	R 540	(B,91,100) (A,D,E)	RS1/16SS102J
R 456	(A,35,70)	RS1/16SS104J	R 541	(A,109,91) (A,D,E)	RS1/16SS223J
R 457	(A,30,76)	RS1/16SS103J	R 542	(A,111,91) (A,D,E)	RS1/16SS433J
R 458	(A,31,78)	RS1/16SS103J	R 543	(B,100,98) (A,D,E)	RS1/16SS473J
R 467	(A,32,77)	RS1/16SS103J	R 544	(B,101,98) (A,D,E)	RS1/16SS473J
R 468	(A,43,75)	RS1/16SS123J	R 545	(B,93,100) (A,D,E)	RS1/16SS104J
R 469	(A,42,75)	RS1/16SS1202D	R 548	(B,110,94) (A,D,E)	RS1/16SS681J
R 470	(A,38,80)	RS1/16SS101J	R 549	(B,104,99) (A,D,E)	RS1/16SS102J
R 471	(A,30,75)	RS1/16SS104J	R 550	(B,101,104) (A,D,E)	RS1/16SS103J
R 472	(A,38,71)	RS1/16SS104J	R 551	(B,99,102) (A,D,E)	RS1/16SS102J
R 473	(A,40,73)	RS1/16SS104J	R 553	(B,106,99) (A,D,E)	RS1/16SS0R0J
R 474	(A,43,81)	RS1/16SS104J	R 554	(B,108,98) (A,D,E)	RS1/16SS0R0J
R 479	(A,40,82)	RS1/16SS821J	R 555	(B,106,97) (A,D,E)	RS1/16SS0R0J
R 480	(A,35,81)	RS1/16SS102J	R 556	(B,108,99) (A,D,E)	RS1/16SS0R0J
R 481	(A,33,80)	RS1/16SS103J	R 557	(B,125,88) (A,D,E)	RS1/16SS0R0J
R 482	(A,24,85)	RS1/16SS103J	R 558	(B,125,86) (A,D,E)	RS1/16SS0R0J
R 483	(A,26,86)	RS1/16SS682J	R 559	(B,125,87) (A,D,E)	RS1/16SS0R0J
R 484	(A,25,84)	RS1/16SS472J	R 560	(B,111,92) (A,D,E)	RS1/16SS105J
R 485	(A,35,83)	RS1/16SS153J	R 561	(B,124,96) (A,D,E)	RS1/16SS0R0J
R 488	(A,37,85)	RS1/16SS473J	R 612	(B,107,81)	RS1/16SS333J
R 489	(A,35,85)	RS1/16SS473J	R 613	(B,117,61)	RS1/16SS471J
R 490	(A,37,82)	RS1/16SS103J	R 614	(B,115,61)	RS1/16SS105J
R 491	(A,37,81)	RS1/16SS103J	R 615	(B,116,56)	RS1/16SS152J
R 492	(A,37,83)	RS1/16SS103J	R 616	(B,119,58)	RS1/16SS122J
R 493	(A,32,88)	RS1/16SS0R0J	R 617	(B,93,70)	RAB4CQ330J
R 494	(A,33,88)	RS1/16SS0R0J	R 618	(B,93,68)	RAB4CQ330J
R 501	(A,111,85) (A,D,E)	RS1/16SS273J	R 619	(B,93,65)	RAB4CQ330J
R 502	(B,124,95) (A,D,E)	RS1/16SS0R0J	R 620	(B,93,62)	RAB4CQ330J
R 503	(B,125,94) (A,D,E)	RS1/16SS0R0J	R 621	(B,93,60)	RS1/16SS330J
R 504	(A,112,82) (A,D,E)	RS1/16SS473J	R 622	(B,92,59)	RS1/16SS330J
R 505	(B,125,90) (A,D,E)	RS1/16SS0R0J	R 623	(B,96,54)	RAB4CQ330J
R 506	(A,113,87) (A,D,E)	RS1/16SS0R0J	R 624	(A,107,50)	RS1/16SS1500D
R 507	(A,114,87) (A,D,E)	RS1/16SS103J	R 625	(B,91,70)	RAB4CQ0R0J
R 509	(A,112,87) (A,D,E)	RS1/16SS0R0J	R 626	(B,91,68)	RAB4CQ0R0J
R 510	(A,110,87) (A,D,E)	RS1/16SS472J	R 627	(B,91,65)	RAB4CQ0R0J
R 511	(A,114,82) (A,D,E)	RS1/16SS473J	R 628	(B,91,62)	RAB4CQ0R0J
R 512	(A,113,82) (A,D,E)	RS1/16SS473J	R 629	(B,90,60)	RS1/16SS0R0J
R 514	(A,123,89) (A,D,E)	RS1/16SS333J	R 630	(B,88,59)	RS1/16SS0R0J
R 515	(A,121,87) (A,D,E)	RS1/16SS333J	R 631	(B,94,54)	RAB4CQ0R0J
R 516	(A,121,89) (A,D,E)	RS1/16SS333J	R 632	(B,94,52)	RS1/16SS0R0J

	1	2	3	4
	<u>Circuit Symbol and No.</u>	<u>Part No.</u>	<u>Circuit Symbol and No.</u>	<u>Part No.</u>
A	R 633 (B,108,77)	RS1/16SS103J	R 1029 (B,143,45)	RS1/16SS220J
	R 634 (B,93,59)	RS1/16SS680J	R 1030 (B,115,46)	RS1/16SS472J
	R 635 (B,90,59)	RS1/16SS0R0J	R 1031 (B,135,23)	RS1/16SS104J
	R 636 (B,96,52)	RS1/16SS331J	R 1032 (B,136,23)	RS1/16SS104J
	R 637 (B,109,77)	RS1/16SS0R0J	R 1033 (B,137,23)	RS1/16SS104J
B	R 639 (A,92,70)	RS1/16SS0R0J	R 1034 (B,138,23)	RS1/16SS104J
	R 640 (A,86,63)	RS1/16SS0R0J	R 1035 (B,126,31)	RS1/16SS101J
	R 643 (B,107,77)	RS1/16SS0R0J	R 1036 (B,133,30)	RS1/16SS0R0J
	R 644 (B,110,77)	RS1/16SS0R0J	R 1037 (B,96,45)	RS1/16SS470J
	R 645 (A,108,49)	RS1/16SS82R0D	R 1038 (B,130,44)	RS1/16SS0R0J
C	R 653 (A,109,49)	RS1/16SS0R0J	R 1039 (B,134,48)	RS1/16SS221J
	R 713 (B,74,57)	RS1/16SS562J	R 1040 (B,134,50)	RS1/16SS221J
	R 748 (B,84,54)	RS1/16SS0R0J	R 1041 (B,136,47)	RS1/16SS0R0J
	R 750 (A,85,59)	RS1/16SS473J	R 1042 (B,137,47)	RS1/16SS221J
	R 752 (A,85,56)	RS1/16SS562J	R 1043 (B,138,45)	RS1/16SS220J
D	R 753 (B,81,54)	RS1/16SS1000D	R 1044 (B,128,33)	RS1/16SS0R0J
	R 818 (B,104,16)	RS1/10SR0R0J	R 1045 (B,129,33)	RS1/16SS0R0J
	R 820 (B,97,17)	RS1/8SQ0R0J	R 1046 (B,130,33)	RS1/16SS470J
	R 903 (B,139,56)	RAB4CQ103J	R 1047 (B,130,31)	RS1/16SS470J
	R 904 (B,130,56)	RAB4CQ103J	R 1048 (B,131,33)	RS1/16SS470J
E	R 905 (B,136,56)	RAB4CQ103J	R 1049 (B,132,30)	RS1/16SS181J
	R 906 (A,126,82)	RS1/16SS472J	R 1050 (B,133,31)	RS1/16SS470J
	R 907 (A,125,82)	RS1/16SS472J	R 1051 (B,133,33)	RS1/16SS470J
	R 909 (B,130,69)	RS1/16SS0R0J	R 1052 (B,125,46)	RS1/16SS101J
	R 913 (A,119,52)	RS1/16SS472J	R 1053 (B,136,33)	RS1/16SS220J
F	R 914 (A,132,85)	RAB4CQ472J	R 1054 (B,94,34)	RS1/16SS104J
	R 915 (B,140,71)	RS1/16SS472J	R 1055 (B,95,27)	RS1/16SS104J
	R 916 (A,125,81)	RS1/16SS104J	R 1056 (B,100,48)	RS1/16SS681J
	R 917 (A,126,81)	RS1/16SS104J	R 1057 (B,101,49)	RS1/16SS681J
	R 921 (A,128,81)	RS1/16SS472J	R 1058 (B,101,48)	RS1/16SS681J
G	R 922 (B,141,62)	RS1/16SS103J	R 1059 (B,102,49)	RS1/16SS681J
	R 927 (B,139,73)	RS1/16SS472J	R 1060 (B,103,48)	RS1/16SS681J
	R 928 (B,115,45)	RS1/16SS0R0J	R 1061 (B,103,49)	RS1/16SS681J
	R 929 (A,126,52)	RS1/16SS472J	R 1062 (B,104,48)	RS1/16SS681J
	R 930 (A,136,81)	RS1/16SS472J	R 1063 (B,105,49)	RS1/16SS681J
H	R 931 (B,147,33)	RS1/16SS0R0J	R 1064 (B,106,48)	RS1/16SS681J
	R 932 (B,148,33)	RS1/16SS0R0J	R 1065 (B,106,49)	RS1/16SS681J
	R 933 (B,147,31)	RS1/16SS0R0J	R 1066 (B,107,48)	RS1/16SS681J
	R 934 (B,146,33)	RS1/16SS471J	R 1067 (B,107,49)	RS1/16SS681J
	R 935 (A,144,62)	RAB4CQ680J	R 1068 (B,100,31)	RS1/16SS331J
I	R 936 (A,144,59)	RAB4CQ680J	R 1069 (B,101,28)	RS1/16SS181J
	R 937 (A,144,56)	RAB4CQ680J	R 1070 (B,102,30)	RS1/16SS101J
	R 938 (A,136,53)	RAB4CQ680J	R 1071 (B,103,30)	RS1/16SS471J
	R 939 (A,132,53)	RAB4CQ101J	R 1072 (B,104,28)	RS1/16SS471J
	R 940 (A,129,53)	RAB4CQ101J	R 1073 (B,104,30)	RS1/16SS471J
J	R 941 (B,141,64)	RAB4CQ103J	R 1074 (B,105,28)	RS1/16SS471J
	R 942 (B,141,60)	RAB4CQ103J	R 1075 (B,106,30)	RS1/16SS471J
	R 943 (B,133,56)	RAB4CQ103J	R 1076 (B,106,28)	RS1/16SS471J
	R 945 (B,139,70)	RS1/16SS103J	R 1077 (B,138,47)	RS1/16SS0R0J
	R 1001 (B,108,33)	RS1/16SS101J	R 1078 (B,143,47)	RS1/16SS0R0J
K	R 1003 (B,97,45)	RS1/16SS470J	R 1079 (B,102,28)	RS1/16SS101J
	R 1006 (B,98,45)	RS1/16SS470J	R 1080 (B,136,31)	RS1/16SS0R0J
	R 1007 (B,110,45)	RS1/16SS0R0J	R 1081 (B,130,45)	RS1/16SS103J
	R 1008 (B,111,47)	RS1/16SS0R0J	R 1082 (B,115,48)	RS1/16SS104J
	R 1012 (B,113,45)	RS1/16SS0R0J	R 1107 (A,138,42)	RS1/16SS680J
L	R 1013 (B,112,33)	RS1/10SR0R0J	R 1108 (A,143,42)	RS1/16SS330J
	R 1015 (B,149,47)	RS1/16SS0R0J	R 1109 (A,145,42)	RS1/16SS330J
	R 1016 (B,130,30)	RS1/16SS0R0J	R 1110 (A,128,42)	RS1/16SS330J
	R 1017 (B,96,47)	RS1/16SS0R0J	R 1111 (A,129,42)	RS1/16SS330J
	R 1028 (B,128,44)	RS1/16SS103J	R 1112 (A,141,43)	RS1/16SS330J

5		6		7		8	
<u>Circuit Symbol and No.</u>		<u>Part No.</u>		<u>Circuit Symbol and No.</u>		<u>Part No.</u>	
R 1117	(A,157,50)	RS1/10SR103J		R 1405	(A,130,99)	RS1/16SS101J	
R 1118	(A,157,47)	RS1/10SR331J		R 1406	(B,133,108)	RS1/10SR75R0D	
R 1119	(A,151,49)	RS1/16SS103J		R 1407	(A,127,109)	RS1/10SR75R0D	A
R 1120	(A,155,43)	RS1/16SS103J		R 1414	(A,133,92)	RS1/16SS0R0J	
R 1121	(A,155,45)	RS1/16SS103J		R 1415	(A,132,108)	RS1/10SR75R0D	
R 1122	(A,146,52)	RS1/16SS0R0J					
				R 1418	(A,67,100)	RS1/16SS0R0J	
R 1125	(A,95,41)	RS1/16SS103J		R 1420	(A,63,97)	RS1/16SS0R0J	
R 1126	(A,94,35)	RS1/16SS330J		R 1421	(A,64,96)	RS1/16SS3902D	
R 1129	(A,143,52)	RS1/16SS103J		R 1422	(A,66,97)	RS1/16SS1201D	
R 1130	(A,144,42)	RS1/16SS103J					
R 1131	(A,142,52)	RS1/16SS103J		R 1423	(A,65,98)	RS1/16SS1002D	
				R 1427	(A,67,108)	RS1/16SS101J	
R 1132	(A,146,42)	RS1/16SS103J		R 1428	(A,68,108)	RS1/16SS0R0J	
R 1133	(A,141,52)	RS1/16SS103J		R 1429	(A,58,108)	RS1/16SS104J	
R 1134	(A,127,42)	RS1/16SS103J					
R 1135	(A,130,42)	RS1/16SS103J		R 1431	(A,63,108)	RS1/16SS8201D	B
R 1136	(A,140,52)	RS1/16SS103J		R 1432	(A,64,108)	RS1/16SS393J	
				R 1433	(A,71,105)	RS1/4SA151J	
R 1137	(A,141,42)	RS1/16SS103J		R 1434	(A,71,103)	RS1/4SA151J	
R 1138	(A,139,52)	RS1/16SS103J					
R 1139	(A,139,42)	RS1/16SS103J		R 1436	(B,71,92)	RS1/16SS102J	
R 1144	(B,146,51)	RS1/16SS0R0J		R 1437	(B,72,92)	RS1/16SS102J	
				R 1438	(B,73,92)	RS1/16SS102J	
R 1145	(B,148,50)	RS1/16SS0R0J		R 1439	(B,74,92)	RS1/16SS102J	
R 1146	(B,146,50)	RS1/16SS0R0J		R 1440	(B,51,101)	RS1/4SA0R0J	
R 1147	(B,142,53)	RS1/16SS0R0J					
R 1148	(B,146,52)	RS1/16SS0R0J		R 1441	(A,71,101)	RS1/4SA151J	
R 1149	(B,148,51)	RS1/16SS0R0J		R 1446	(B,128,106)	RS1/16SS0R0J	C
				R 1447	(B,132,114)	RS1/16SS0R0J	
R 1150	(A,93,35)	RS1/16SS0R0J		R 1448	(B,130,106)	RS1/16SS0R0J	
R 1151	(A,84,14)	RS1/16SS0R0J					
R 1208	(B,164,85)	RS1/16SS101J		R 1449	(A,53,94)	RS1/16SS0R0J	
R 1209	(B,164,77)	RS1/16SS0R0J		R 1501	(B,31,84) (A,D,E)	RS1/16SS103J	
R 1210	(B,163,65)	RS1/16SS10R0D		R 1502	(B,29,91) (A,D,E)	RS1/16SS0R0J	
				R 1503	(B,30,91) (A,D,E)	RS1/16SS103J	
R 1211	(B,148,61)	RS1/16SS4702D					
R 1227	(B,160,61)	RS1/16SS1501D		R 1504	(B,30,84) (A,D,E)	RS1/16SS0R0J	
R 1228	(B,159,61)	RS1/16SS3302D		R 1505	(B,28,91) (A,D,E)	RS1/16SS0R0J	
R 1229	(B,159,63)	RS1/16SS2402D		R 1507	(B,49,118) (A,D,E)	RS1/10SR0R0J	
R 1230	(B,158,65)	RS1/16SS432J		R 1508	(A,43,116) (A,D,E)	RS1/10SR0R0J	
				R 1701	(B,21,118) (A,B,C)	RS1/10SR102J	D
R 1231	(B,158,60)	RS1/16SS4702D					
R 1232	(B,154,59)	RS1/16SS1002D		R 1704	(B,14,118) (A,B,C)	RS1/10SR102J	
R 1233	(B,152,59)	RS1/16SS2202D		R 1709	(B,17,103) (A,B,C)	RS1/16SS104J	
R 1234	(B,152,60)	RS1/16SS3302D		R 1710	(B,8,109) (A,B,C)	RS1/16SS473J	
R 1235	(B,148,64)	RS1/16SS103J		R 1711	(A,38,101) (A,B,C)	RS1/16SS103J	
				R 1712	(A,35,99) (A,B,C)	RS1/4SA471J	
R 1236	(B,148,63)	RS1/16SS102J					
R 1237	(B,160,66)	RS1/16SS102J		R 1713	(A,35,96) (A,B,C)	RS1/4SA471J	
R 1240	(B,150,67)	RS1/10SR0R0J		R 1714	(A,41,106) (A,B,C)	RS1/16SS1003D	
R 1301	(B,52,25)	RS1/16SS561J		R 1715	(A,42,106) (A,B,C)	RS1/16SS1802D	
R 1302	(B,52,23)	RS1/16SS561J		R 1716	(B,17,113) (A,B,C)	RS1/16SS473J	
				R 1718	(B,18,104) (A,B,C)	RS1/16SS0R0J	
R 1303	(B,52,22)	RS1/16SS561J					
R 1304	(B,46,38)	RS1/16SS330J		R 1721	(A,44,99) (A,B,C)	RS1/4SA0R0J	E
R 1305	(B,45,38)	RS1/16SS330J		R 1723	(B,21,100) (A,B,C)	RS1/16SS0R0J	
R 1306	(B,51,34)	RS1/16SS103J		R 1725	(A,48,107) (A,B,C)	RS1/16SS911J	
R 1307	(B,52,27)	RS1/16SS104J		R 1726	(B,30,118) (A,B,C)	RS1/16SS0R0J	
				R 1727	(B,27,118) (A,B,C)	RS1/16SS0R0J	
R 1308	(B,53,34)	RS1/16SS103J					
R 1309	(B,32,15)	RS1/10SR0R0J		R 1728	(B,24,118) (A,B,C)	RS1/16SS0R0J	
R 1310	(B,33,23)	RS1/16SS473J		R 1801	(B,83,89)	RS1/16SS102J	
R 1311	(B,52,28)	RS1/16SS104J		R 1802	(B,80,86)	RS1/16SS472J	
R 1312	(B,41,13)	RS1/16SS0R0J		R 1803	(A,69,70)	RS1/16SS473J	
				R 1804	(B,74,83)	RS1/10SR0R0J	
R 1313	(B,51,20)	RS1/16SS103J					
R 1314	(B,41,12)	RS1/16SS473J		R 1805	(B,74,81)	RS1/10SR0R0J	F
R 1401	(A,125,99)	RS1/16SS101J		R 1806	(B,82,84)	RS1/16SS472J	
R 1403	(A,131,92)	RS1/16SS101J		R 1807	(B,86,84)	RS1/16SS471J	
R 1404	(B,131,99)	RS1/16SS101J		R 1808	(A,81,72)	RS1/16SS221J	

1

Circuit Symbol and No.

R 1809 (A,81,73)
 R 1810 (A,83,77)
 R 1811 (A,82,77)
 R 1812 (A,81,77)
 R 1813 (A,68,72)
 R 1818 (B,64,11) (B,C)

2

Part No.

RS1/16SS221J
 RS1/16SS221J
 RS1/16SS221J
 RS1/16SS221J
 RS1/8SQ561J
 RS1/16SS0R0J

3

Circuit Symbol and No.

C 465 (A,41,79)
 C 466 (A,41,75)
 C 467 (A,32,75)
 C 468 (A,41,77)
 C 469 (A,38,73)
 C 470 (A,40,81)

4

Part No.

CKSRYB105K10
 CKSSYB471K50
 CKSSYB681K50
 CKSSYB104K16
 CKSRYB105K10
 CKSRYB105K10

R 1820 (B,64,8) (D,E)
 R 1821 (B,64,6) (A)

RS1/16SS0R0J
 RS1/16SS0R0J

C 471 (A,29,81)
 C 472 (A,33,81)
 C 473 (A,25,87)
 C 474 (A,24,86)
 C 475 (A,24,84)

CKSSYB104K16
 CKSSYB103K16
 CKSRYB105K10
 CKSSYB102K50
 CKSSYB102K50

CAPACITORS

C 1 (A,83,33)
 C 2 (B,31,76) 10 uF
 C 3 (B,30,76) 10 uF
 C 4 (B,30,78) 10 uF
 C 5 (B,72,111)

CKSSYB103K16
 CCG1234
 CCG1234
 CCG1234
 XCEVW101M16

C 476 (A,36,83)
 C 477 (A,36,85)
 C 478 (A,41,83)
 C 479 (A,40,85)
 C 480 (A,41,87)

CCSSCH101J50
 CKSRYB105K10
 CKSRYB105K10
 CKSRYB105K10
 CKSRYB105K10

C 6 (B,78,121)
 C 7 (B,75,117)
 C 114 (A,5,114) 22 uF
 C 201 (A,37,69) 10 uF
 C 203 (B,32,56)

CKSYB105K35
 CKSSYB103K16
 DCH1256
 CCG1234
 CKSSYB104K10

C 501 (A,114,89) (A,D,E)
 C 502 (A,116,91) (A,D,E)
 C 503 (A,118,91) (A,D,E)
 C 504 (A,119,90) (A,D,E)
 C 505 (A,115,87) (A,D,E)

CKSSYB104K10
 CKSSYB104K10
 CKSSYB104K10
 CKSSYB104K10
 CKSSYB104K10

C 204 (A,35,68)
 C 205 (A,27,59)
 C 206 (A,40,67)
 C 207 (A,32,51)
 C 208 (A,30,67)

CKSRYB105K10
 CCSSCH101J50
 CKSSYB104K10
 CKSSYB104K10
 CKSSYB104K10

C 506 (A,118,86) (A,D,E)
 C 507 (A,119,88) (A,D,E)
 C 508 (B,129,89) (A,D,E)
 C 509 (B,127,91) (A,D,E)
 C 510 (B,127,92) (A,D,E)

CKSSYB104K10
 CKSSYB104K10
 CCSSCH470J50
 CCSSCH470J50
 CCSSCH470J50

C 209 (A,38,68)
 C 210 (A,45,61)
 C 211 (A,43,64)
 C 212 (A,38,67)
 C 214 (A,32,70)

CKSSYB104K10
 CCSSCH100D50
 CCSSCH100D50
 CCSSCH151J50
 CKSRYB105K10

C 511 (B,127,93) (A,D,E)
 C 512 (A,112,95) 10 uF(A,D,E)
 C 519 (B,95,97) 4.7 uF(A,D,E)
 C 520 (B,98,91) 4.7 uF(A,D,E)
 C 521 (B,95,100) 4.7 uF(A,D,E)

CCSSCH470J50
 CCG1234
 CCG1212
 CCG1212
 CCG1212

C 217 (A,29,70)
 C 219 (A,29,67) 10 uF
 C 221 (A,27,62)
 C 222 (A,41,70) 10 uF
 C 301 (B,126,73) (A,D,E)

CKSRYB105K10
 CCG1234
 CKSSYB104K10
 CCG1234
 CKSSYB104K10

C 522 (B,110,92) (A,D,E)
 C 523 (B,110,95) (A,D,E)
 C 524 (B,112,95) (A,D,E)
 C 526 (B,95,109) 4.7 uF(A,D,E)
 C 601 (A,107,64)

CCSSCH120J50
 CCSSCH120J50
 CKSSYB104K10
 CCG1201
 CKSSYB103K16

C 302 (B,127,71) 10 uF(A,D,E)
 C 303 (B,132,77) (A,D,E)
 C 304 (B,133,78) 10 uF(A,D,E)
 C 306 (B,121,74) (A,D,E)
 C 307 (B,132,74) (A,D,E)

CCG1192
 CKSSYB104K10
 CCG1192
 CKSSYB182K50
 CKSSYB182K50

C 602 (A,96,68) 47 uF
 C 603 (A,107,74)
 C 604 (A,103,74)
 C 605 (A,103,73)
 C 606 (A,105,74)

CCG1251
 CKSSYB104K16
 CKSSYB104K16
 CKSSYB103K16
 CKSSYB104K16

C 309 (B,117,79) (A,D,E)
 C 310 (B,140,20) 10 uF
 C 312 (B,131,15) 10 uF
 C 313 (B,126,19)
 C 314 (B,137,19)

CKSSYB104K10
 CCG1192
 CCG1192
 CKSSYB182K50
 CKSSYB182K50

C 607 (A,105,73)
 C 608 (B,110,79)
 C 609 (A,107,65)
 C 610 (A,102,76) 10 uF
 C 611 (A,109,59)

CKSSYB103K16
 CKSSYB104K16
 CKSSYB104K16
 CCG1234
 CKSSYB103K16

C 315 (B,131,17)
 C 316 (B,123,25) 10 uF
 C 317 (B,117,21) 10 uF
 C 319 (B,116,23)
 C 320 (B,111,24)

CKSSYB104K10
 CCG1192
 CCG1192
 CKSSYB104K10
 CKSSYB182K50

C 613 (B,117,62)
 C 615 (B,119,61)
 C 617 (A,112,58) 47 uF
 C 618 (A,109,58)
 C 620 (B,117,59)

CCSSCH120J50
 CCSSCH120J50
 CCG1251
 CKSSYB104K16
 CCSRCH181J50

C 321 (A,99,52) 10 uF
 C 323 (A,93,56) 10 uF
 C 324 (A,92,54)
 C 325 (A,86,52)
 C 326 (A,98,51)

CCG1192
 CCG1192
 CKSSYB104K10
 CKSSYB182K50
 CKSSYB104K10

C 631 (A,95,62) 47 uF
 C 633 (B,117,57)
 C 638 (B,117,53)
 C 640 (B,120,57)
 C 641 (B,118,53)

CCG1251
 CKSSYB103K16
 CKSSYB104K10
 CKSSYB104K10
 CCSSCH8R0D50

C 327 (B,122,26)
 C 328 (B,138,20)
 C 463 (A,31,76)
 C 464 (A,32,79)

CKSSYB104K10
 CKSSYB104K10
 CKSSYB562K25
 CKSSYB153K16

C 642 (A,107,73)
 C 643 (A,98,63)
 C 644 (A,97,63)
 C 645 (A,100,68)

CKSSYB103K16
 CKSSYB103K16
 CKSSYB104K16
 CKSSYB104K16

1

2

3

4

5		6		7		8	
<u>Circuit Symbol and No.</u>		<u>Part No.</u>		<u>Circuit Symbol and No.</u>		<u>Part No.</u>	
C 646	(A,101,68)	CKSSYB103K16		C 912	(B,142,58) 1 uF	DCH1246	
C 647	(A,109,71)	CKSSYB103K16		C 913	(A,120,54) 1 uF	DCH1246	
C 648	(A,109,70)	CKSSYB104K16		C 914	(B,119,67) 1 uF	DCH1246	A
C 649	(A,111,65)	CKSSYB103K16		C 915	(A,120,81) 1 uF	DCH1246	
C 650	(A,112,65)	CKSSYB104K16		C 1001	(B,94,46)	CCSSCH471J50	
C 653	(A,97,66)	CKSSYB104K16		C 1002	(B,94,44) 10 uF	CCG1234	
C 654	(A,98,66)	CKSSYB103K16		C 1005	(B,91,44) 10 uF	CCG1234	
C 655	(A,111,68)	CKSSYB103K16		C 1008	(B,91,46)	CCSSCH471J50	
C 656	(A,112,68)	CKSSYB104K16		C 1009	(B,114,47)	CKSSYB104K16	
C 657	(A,99,72)	CKSSYB103K16		C 1103	(A,94,36)	CKSSYB104K10	
C 658	(A,99,73)	CKSSYB104K16		C 1104	(A,152,49)	CKSSYB104K10	
C 659	(A,105,69)	CKSSYB104K16		C 1106	(A,136,43)	CKSRYB105K10	
C 660	(A,101,74)	CKSSYB104K16		C 1108	(A,136,42)	CKSSYB104K10	
C 661	(A,101,73)	CKSSYB103K16		C 1205	(B,154,68)	CKSSYB102K50	B
C 662	(A,104,61)	CKSSYB103K16		C 1209	(B,155,67)	CKSSYB104K10	
C 663	(A,103,61)	CKSSYB104K16		C 1210	(B,154,67)	CKSSYB103K16	
C 664	(A,110,53) 0.47 uF	CCG1339		C 1211	(B,158,63)	CCSSCH101J50	
C 665	(A,110,54) 0.47 uF	CCG1339		C 1212	(B,152,65)	CKSSYB104K10	
C 666	(A,110,55) 0.47 uF	CCG1339		C 1213	(B,159,60)	CKSSYB104K10	
C 667	(A,102,57)	CKSSYB104K10		C 1214	(B,158,67)	CKSSYB103K16	
C 668	(A,104,57)	CKSSYB104K10		C 1216	(B,148,72)	CKSSYB102K50	
C 669	(B,109,55)	CKSSYB104K10		C 1302	(B,41,38)	CKSSYB102K50	
C 670	(A,105,57)	CKSSYB104K10		C 1303	(B,40,39) 10 uF	CCG1234	
C 671	(A,103,57)	CKSSYB104K10		C 1401	(B,132,94) 10 uF	CCG1192	
C 672	(A,106,57)	CKSSYB104K10		C 1402	(A,132,97)	CKSSYB104K10	C
C 673	(B,110,53)	CKSSYB104K10		C 1404	(A,128,103)	CKSRYB105K10	
C 674	(B,113,55)	CKSSYB104K10		C 1405	(A,127,97)	CKSSYB104K10	
C 675	(B,112,55)	CKSSYB104K10		C 1406	(A,131,103)	CKSRYB105K10	
C 676	(B,111,55)	CKSSYB104K10		C 1407	(B,128,97)	CKSSYB104K10	
C 677	(B,111,53)	CKSSYB104K10		C 1408	(A,133,103)	CKSRYB105K10	
C 678	(B,114,53)	CKSSYB104K10		C 1409	(A,126,103)	CKSRYB105K10	
C 679	(A,104,69)	CKSSYB103K16		C 1410	(B,130,103)	CKSRYB105K10	
C 680	(A,98,59) 47 uF	CCG1251		C 1411	(B,128,103)	CKSRYB105K10	
C 683	(B,112,53) 0.47 uF	CCG1339		C 1413	(A,64,97)	CKSSYB331K50	
C 685	(A,77,66)	CKSRYB105K10		C 1414	(B,63,95) 47 uF	CCG1251	D
C 686	(A,87,66) 4.7 uF	CCG1212		C 1415	(A,67,104) 47 uF	CCG1251	
C 688	(A,89,62)	CKSSYB104K10		C 1416	(A,62,108)	CKSSYB104K10	
C 689	(A,92,60)	CKSRYB105K10		C 1417	(A,59,96)	CKSRYB104K50	
C 691	(A,113,55)	CCSSCH820J50		C 1419	(B,146,119)	CKSSYB104K10	
C 692	(A,114,55)	CCSRCH820J50		C 1420	(A,54,106)	CKSYB225K25	
C 693	(A,112,52)	CCSSCH820J50		C 1421	(A,60,108)	CKSSYB103K16	
C 709	(A,82,56)	CKSSYB103K16		C 1422	(A,55,100)	CKSSYB103K16	
C 710	(B,79,53)	CKSSYB104K10		C 1423	(B,62,102) 47 uF	CCG1251	
C 711	(A,83,56)	CKSSYB104K10		C 1424	(B,56,95)	XCEVW100M16	
C 713	(A,76,55)	CKSSYB103K16		C 1425	(A,55,95) 10 uF	CCG1236	
C 714	(B,80,52)	CKSSYB104K10		C 1427	(B,61,93) 22 uF	CCG1254	E
C 715	(A,80,58)	CKSSYB103K16		C 1428	(A,127,105)	CCSRCH560J50	
C 716	(A,80,57)	CKSSYB104K10		C 1430	(A,132,105)	CCSRCH560J50	
C 717	(B,79,54)	CKSSYB103K16		C 1432	(B,133,106)	CCSRCH560J50	
C 718	(B,81,52)	CKSSYB104K10		C 1435	(B,144,113)	CKSSYB104K10	
C 719	(A,74,55) 10 uF	CCG1234		C 1436	(B,144,114)	CKSSYB103K16	
C 901	(B,119,66)	CKSSYB104K10		C 1501	(B,38,116) (A,D,E)	CKSSYB104K10	
C 902	(A,120,80)	CKSSYB104K10		C 1502	(B,36,85) (A,D,E)	CKSSYB104K10	
C 903	(A,120,55)	CKSSYB104K10		C 1503	(B,37,95) (A,D,E)	CKSSYB103K16	
C 904	(A,139,80)	CKSSYB104K10		C 1504	(B,28,88) (A,D,E)	CKSSYB104K10	
C 905	(B,141,58)	CKSSYB104K10		C 1505	(B,35,99) (A,D,E)	XCEVW101M16	F
C 906	(A,142,68)	CKSSYB104K10		C 1701	(B,12,109) (A,B,C)	CKSSYB104K10	
C 909	(A,136,84)	CKSRYB104K50		C 1702	(B,18,109) (A,B,C)	CKSSYB104K10	
C 910	(A,139,81) 1 uF	DCH1246		C 1703	(B,17,99) (A,B,C)	CKSSYB104K10	
C 911	(A,143,68) 1 uF	DCH1246		C 1706	(A,35,117) (A,B,C)	CKSRYB104K50	

1

2

3

4

Circuit Symbol and No.**Part No.****Circuit Symbol and No.****Part No.**

C	1707	(A,35,116) (A,B,C)	CKSRYB103K50	R	1113	(B,15,59)	RS1/10SR3R9J
C	1708	(A,46,107) (A,B,C)	CKSSYB104K16	R	1114	(B,19,57)	RS1/10SR3R3J
C	1709	(B,19,118) (A,B,C)	CKSSYB103K16	R	1115	(B,6,61)	RS1/10SR2R7J
C	1710	(B,20,118) (A,B,C)	CKSSYB104K16	R	1116	(B,6,62)	RS1/10SR2R7J
C	1801	(A,92,78)	CKSRYB104K50	R	1117	(B,17,59)	RS1/10SR3R9J

C	1802	(A,87,78)	CKSSYB104K10	R	1118	(B,16,59)	RS1/10SR3R9J
C	1807	(B,61,66) 10 uF	DCH1165	R	1223	(A,42,50)	RS1/16SS561J
				R	1225	(B,29,8)	RS1/16SS471J
				R	1251	(A,5,48)	RS1/16SS333J
				R	1252	(A,5,47)	RS1/16SS473J

C**Unit Number : YWX5033****Unit Name : DVD Core Unit****MISCELLANEOUS**

IC	1002	(B,15,13) Regulator IC	S-1133B50-U5	R	1258	(A,19,39)	RS1/16SS221J
IC	1003	(B,37,11) IC	S-1200B50-M5	R	1401	(B,34,28)	RS1/16SS221J
IC	1004	(B,64,28) IC	NJM2855DL1-33	R	1402	(B,34,47)	RS1/16SS104J
IC	1251	(A,12,42) IC	BA5839FP	R	1405	(B,55,35)	RS1/16SS104J
IC	1401	(B,27,41) Flash ROM Unit	CWW5043	R	1406	(B,39,45)	RS1/16SS472J

IC	1402	(B,45,28) Flash ROM Unit	CWW5044	R	1480	(A,72,24)	RAB4CQ560J
IC	1480	(A,64,30) RAM IC	M12L64164A-5TG2Y	R	1481	(A,72,28)	RAB4CQ560J
IC	1501	(A,39,33) IC	MN2DS0018MA	R	1482	(A,72,32)	RAB4CQ560J
IC	1801	(B,34,16) D/A Converter	PCM1753DBQ	R	1483	(A,72,35)	RAB4CQ560J
IC	1953	(B,57,17) IC	S-1135D12-A6	R	1484	(A,72,39)	RAB4CQ560J

Q	1101	(B,13,59) Transistor	LSCR523UB	R	1485	(A,55,22)	RAB4CQ560J
Q	1102	(B,13,56) Transistor	LSCR523UB	R	1486	(A,55,28)	RAB4CQ560J
Q	1103	(B,10,63) Transistor	2SB1132	R	1487	(A,56,37)	RAB4CQ560J
Q	1104	(B,22,54) Transistor	2SB1132	R	1488	(A,55,40)	RAB4CQ560J
L	1501	(A,54,31) Inductor	CTF1743	R	1489	(A,54,30)	RS1/16SS560J

L	1511	(A,48,17) Chip Beads	VTL1126	R	1490	(A,72,21)	RS1/16SS560J
L	1902	(A,17,17) Inductor	CTF1487	R	1501	(B,48,21)	RS1/16SS122J
L	1903	(B,63,16) Inductor	CTF1558	R	1503	(B,46,21)	RS1/16SS105J
L	1904	(A,68,18) Ferrite Bead	CTF1528	R	1504	(A,50,17)	RS1/16SS121J
X	1501	(B,48,18) Oscillator 27.000 MHz	CSS1823	R	1505	(B,45,15)	RS1/16SS101J

F	1001	(A,14,19) Chip EMI Filter	DTF1106	R	1506	(B,45,14)	RS1/16SS101J
F	1002	(B,63,18) Chip EMI Filter	DTL1106	R	1507	(B,43,17)	RS1/16SS101J
S	1	(A,47,55) Spring Switch(HOME)	CSN1080	R	1508	(B,42,18)	RS1/16SS221J
S	3	(B,25,13) Spring Switch(12EJ)	CSN1081	R	1509	(A,20,34)	RS1/16SS102J
VR	1101	(A,7,63) Semi-fixed 6.8 kohm(B)	CCP1447	R	1510	(A,11,29)	RS1/16SS102J

VR	1102	(A,7,60) Semi-fixed 15 kohm(B)	CCP1449	R	1512	(A,55,32)	RS1/16SS470J
CN	1101	(A,21,63) Connector	CKS6331	R	1513	(A,23,38)	RS1/16SS103J
CN	1952	(A,42,11) Connector	CKS6025	R	1514	(A,24,40)	RS1/16SS183J
				R	1516	(A,24,36)	RS1/16SS104J
				R	1517	(B,57,22)	RS1/16SS103J

RESISTORS

R	1004	(B,12,20)	RS1/16SS4702D	R	1518	(B,33,31)	RS1/16SS103J
R	1007	(B,12,21)	RS1/16SS6801D	R	1519	(A,24,43)	RS1/16SS102J
R	1019	(B,34,7)	RS1/16SS101J	R	1522	(A,21,37)	RS1/16SS104J
R	1025	(B,36,6)	RS1/16SS101J	R	1523	(A,22,37)	RS1/16SS221J
R	1027	(A,40,18)	RS1/16SS101J	R	1524	(B,29,33)	RS1/16SS472J

R	1101	(B,15,57)	RS1/16SS104J	R	1525	(A,24,44)	RS1/16SS103J
R	1102	(B,10,56)	RS1/16SS104J	R	1526	(A,22,40)	RS1/16SS103J
R	1103	(B,14,61)	RS1/16SS4300F	R	1527	(A,35,49)	RS1/16SS682J
R	1104	(B,11,59)	RS1/16SS5100F	R	1528	(B,19,34)	RS1/16SS103J
R	1105	(B,17,54)	RS1/16SS4300F	R	1529	(B,35,21)	RS1/16SS103J

R	1106	(B,10,57)	RS1/16SS5600F	R	1530	(B,17,34)	RS1/16SS103J
R	1109	(B,6,57)	RS1/16SS3R3J	R	1531	(B,33,30)	RS1/16SS103J
R	1110	(B,16,54)	RS1/16SS3R3J	R	1532	(A,24,42)	RS1/16SS101J
R	1111	(B,6,63)	RS1/10SR3R3J	R	1533	(A,29,47)	RS1/16SS104J
R	1112	(B,5,58)	RS1/10SR3R3J	R	1534	(B,29,48)	RS1/16SS221J

1

2

3

4

5		6		7		8	
<u>Circuit Symbol and No.</u>		<u>Part No.</u>		<u>Circuit Symbol and No.</u>		<u>Part No.</u>	
R 1535	(A,22,44)	RS1/16SS104J		C 1404	(B,40,40) 4.7 uF	CCG1201	
R 1536	(B,32,48)	RS1/16SS104J		C 1408	(B,57,27)	CKSSYB104K10	
R 1537	(A,24,46)	RS1/16SS104J		C 1409	(B,58,29) 4.7 uF	CCG1201	
R 1538	(A,55,35)	RS1/16SS104J		C 1410	(B,33,29)	CKSSYB104K16	A
R 1539	(B,33,48)	RS1/16SS104J		C 1480	(A,71,19)	CKSSYB104K10	
R 1540	(A,26,46)	RS1/16SS221J		C 1481	(A,72,22)	CKSSYB104K10	
R 1541	(A,26,45)	RS1/16SS221J		C 1482	(A,72,26)	CKSSYB104K10	
R 1542	(B,26,34)	RS1/16SS103J		C 1484	(A,72,30)	CKSSYB104K10	
R 1546	(A,33,49)	RS1/16SS682J		C 1485	(A,72,41)	CKSSYB104K10	
R 1601	(A,32,17)	RS1/16SS123J		C 1487	(A,57,29)	CKSSYB104K10	
R 1602	(A,32,18)	RS1/16SS123J		C 1488	(A,57,25)	CKSSYB104K10	
R 1603	(B,31,21)	RS1/16SS1002D		C 1489	(A,64,17) 10 uF	CCG1192	
R 1604	(A,23,21)	RS1/16SS105J		C 1490	(A,66,18)	CKSSYB102K50	
R 1605	(A,22,23)	RS1/16SS105J		C 1501	(B,61,20) 10 uF	CCG1192	
R 1670	(B,40,21)	RS1/16SS1002D		C 1502	(B,54,20) 10 uF	CCG1192	B
R 1671	(B,42,19)	RS1/16SS2402D		C 1503	(A,54,33)	CKSSYB104K10	
R 1672	(A,39,18)	RS1/16SS2000D		C 1504	(A,53,24)	CKSSYB104K10	
R 1674	(A,36,17)	RS1/16SS3002D		C 1505	(A,53,27)	CKSSYB104K10	
R 1801	(B,41,8)	RS1/16SS104J		C 1506	(B,52,35)	CKSSYB104K10	
R 1802	(B,43,8)	RS1/16SS104J		C 1507	(A,53,36)	CKSSYB104K10	
R 1803	(B,37,13)	RS1/16SS821J		C 1508	(A,53,39)	CKSSYB104K10	
R 1804	(B,39,14)	RS1/16SS821J		C 1509	(A,53,42)	CKSSYB104K10	
R 1982	(A,10,62)	RS1/16SS822J		C 1510	(B,51,18)	CCSSCH100D50	
R 1983	(B,40,20)	RS1/16SS1000D		C 1511	(A,48,18)	CKSSYB104K10	
R 1987	(B,43,21)	RS1/16SS0R0J		C 1512	(B,45,18)	CCSSCH100D50	C

CAPACITORS

C 1001	(B,34,10)	CKSRYB105K10		C 1513	(A,48,48)	CKSSYB104K10	
C 1002	(B,12,17)	CKSSYB104K16		C 1514	(B,45,21)	CKSSYB104K10	
C 1003	(B,15,19)	CKSSYB104K16		C 1515	(A,45,18)	CKSSYB104K10	
C 1004	(B,15,17) 4.7 uF	CCG1201		C 1516	(A,43,48)	CKSSYB104K10	
C 1005	(B,40,11)	CKSRYB105K16		C 1517	(A,42,48)	CKSSYB104K10	
C 1010	(B,60,23)	CKSQYB225K10		C 1518	(A,38,48)	CKSSYB104K10	
C 1011	(B,64,22)	CKSRYB105K10		C 1519	(A,34,47)	CKSSYB104K10	
C 1015	(A,25,7)	CKSSYB102K50		C 1520	(A,27,47)	CKSSYB104K10	
C 1016	(B,64,15)	CKSSYB102K50		C 1521	(A,24,34)	CKSSYB104K10	
C 1018	(B,14,21)	CKSSYB104K10		C 1522	(A,25,38)	CKSSYB104K10	
C 1040	(B,51,7)	CCSRCH821J50		C 1523	(A,20,46)	CKSSYB224K6R3	D
C 1041	(B,19,11)	CCSRCH271J50		C 1524	(A,20,48)	CKSSYB473K16	
C 1101	(B,14,53) 10 uF	CCG1192		C 1526	(A,24,37)	CKSSYB103K16	
C 1104	(B,7,57)	CKSSYB104K10		C 1528	(B,30,48)	CCSSCH471J50	
C 1105	(B,18,54)	CKSSYB104K10		C 1601	(A,32,19)	CKSSYB103K16	
C 1106	(B,8,66)	CKSSYB103K16		C 1602	(A,34,17)	CCSSCH101J50	
C 1107	(B,25,53)	CKSSYB103K16		C 1603	(A,33,18)	CCSSCH101J50	
C 1108	(A,19,57)	CKSSYB103K16		C 1604	(A,30,17)	CCSSCH680J50	
C 1109	(A,7,57)	CKSRYB224K16		C 1605	(A,30,18)	CCSSCH680J50	
C 1110	(A,17,58)	CKSSYB103K16		C 1606	(A,35,19)	CKSSYB104K10	
C 1111	(A,9,66)	CKSRYB224K16		C 1607	(A,20,24) 10 uF	CCG1192	
C 1112	(B,17,52) 22 uF	DCH1256		C 1608	(A,28,18) 4.7 uF	CCG1201	
C 1113	(B,8,58) 22 uF	DCH1256		C 1609	(A,26,22)	CKSSYB104K10	E
C 1210	(B,77,34)	CKSSYB104K16		C 1612	(A,24,24)	CKSSYB104K10	
C 1251	(B,12,41)	CEVW101M16		C 1613	(A,24,25)	CKSSYB104K10	
C 1252	(B,7,41) 4.7 uF	CCG1222		C 1614	(A,22,24)	CKSSYB104K10	
C 1253	(B,7,39)	CKSSYB104K16		C 1615	(A,23,26)	CKSSYB104K10	
C 1254	(A,6,38)	CKSSYB104K16		C 1616	(A,24,27)	CKSSYB104K10	
C 1255	(A,18,37)	CKSSYB104K16		C 1617	(B,27,28)	CKSSYB104K10	
C 1401	(B,34,27)	CKSSYB104K16		C 1618	(A,22,29)	CCSSCH101J50	
C 1403	(B,39,40)	CKSSYB104K10		C 1619	(A,23,30)	CKSSYB562K25	
				C 1620	(B,27,30)	CKSSYB224K6R3	F
				C 1621	(A,22,31)	CKSSYB224K6R3	
				C 1622	(A,24,31)	CKSSYB333K16	
				C 1623	(A,27,20)	CKSRYB105K10	

1

2

3

4

Circuit Symbol and No.**Part No.****Circuit Symbol and No.****Part No.**

C 1624	(A,24,32)	CKSSYB104K10	L 4319	(B,35,45) Inductor	CTF1734
C 1625	(A,24,29)	CKSSYB104K10	L 4320	(B,37,47) Inductor	CTF1734
C 1671	(A,41,18)	CKSSYB104K10	L 4321	(B,37,48) Inductor	CTF1734
C 1673	(A,37,19)	CKSSYB104K10	L 4322	(B,38,49) Inductor	CTF1734
C 1674	(B,42,20)	CKSSYB104K10	L 4323	(B,39,50) Inductor	CTF1734
C 1676	(B,38,21)	CKSRYB105K10	L 4324	(B,38,52) Inductor	CTF1734
C 1801	(B,42,10) 4.7 uF	CCG1201	L 4325	(B,39,53) Inductor	CTF1734
C 1802	(B,46,10) 4.7 uF	CCG1201	L 4326	(B,38,54) Inductor	CTF1734
C 1803	(B,42,12)	CCSRCH182J50	L 4327	(B,39,55) Inductor	CTF1734
C 1804	(B,45,12)	CCSRCH182J50	L 4328	(B,38,56) Inductor	CTF1734
C 1805	(B,34,13)	CKSSYB104K10	TH4001	(A,110,7) Thermistor	CCX1084
C 1806	(B,32,13) 10 uF	CCG1192	CN4002	(A,62,69) Connector	CKS6535
C 1809	(B,39,16)	CKSSYB104K10	CN4003	(A,115,65) Connector	CKS6523
C 1953	(B,60,17)	CKSRYB105K10	CN4004	(A,123,17) Connector	CKS6548
C 1954	(B,54,17)	CKSRYB105K10	CN4006	(A,35,31) Connector	CKS6536
C 1955	(B,77,40)	CKSSYB104K16	CN4007	(A,129,30) Connector	CKS6523

RESISTORS**D****Unit Number : CWN7384****Unit Name : Monitor Unit****MISCELLANEOUS**

C	IC 4001	(B,104,62) IC	NJU6062V	R 4001	(B,52,75)	RS1/16SS0R0J
	IC 4002	(A,115,28) IC	AK4188VN	R 4002	(B,54,76)	RS1/16SS0R0J
	IC 4101	(A,114,46) IC	OZ527ILN	R 4003	(B,52,77)	RS1/16SS0R0J
	IC 4201	(A,96,20) IC	R1290K103A	R 4004	(B,53,78)	RS1/16SS0R0J
	IC 4301	(B,30,53) IC	DS90C124QVS	R 4005	(B,56,75)	RS1/16SS0R0J
	Q 4001	(A,15,43) Transistor	LSAR523UB	R 4006	(B,56,80)	RS1/16SS0R0J
	Q 4201	(A,99,29) Transistor	2SA1577	R 4007	(B,52,73)	RS1/16SS0R0J
	Q 4202	(A,103,13) Transistor	LTC024EEB	R 4008	(B,58,74)	RS1/16SS0R0J
	D 4101	(A,113,54) Diode	RB162M-40	R 4009	(B,54,79)	RS1/16SS0R0J
	D 4201	(B,104,19) Diode	DB3S308F0	R 4010	(B,60,79)	RS1/16SS0R0J
D	D 4202	(B,100,29) Diode	DB3S308F0	R 4011	(B,56,78)	RS1/16SS0R0J
	D 4203	(B,100,26) Diode	DB3S308F0	R 4012	(B,66,75)	RS1/16SS0R0J
	D 4204	(A,87,26) Diode	RB162M-40	R 4013	(A,104,38)	RS1/16SS0R0J
	L 4004	(B,39,35) Inductor	CTF1635	R 4014	(A,102,39)	RS1/16SS0R0J
	L 4005	(B,26,34) Inductor	DTL1096	R 4015	(A,102,38)	RS1/16SS0R0J
	L 4006	(B,18,32) Inductor	DTL1096	R 4016	(B,98,71)	RS1/16SS0R0J
	L 4007	(B,18,39) Chip Ferrite Bead	BTX1042	R 4017	(B,98,70)	RS1/16SS0R0J
	L 4102	(A,108,53) Inductor	ATH7068	R 4018	(B,100,69)	RS1/16SS0R0J
	L 4201	(A,94,26) Choke Coil 22 uH	CTH1426	R 4019	(B,110,64)	RS1/10SR121J
	L 4302	(B,22,67) Chip Ferrite Bead	BTX1047	R 4020	(B,110,62)	RS1/10SR101J
	L 4303	(B,34,61) Ferrite Bead	CTF1528	R 4021	(B,110,61)	RS1/10SR271J
	L 4304	(B,25,59) Ferrite Bead	CTF1528	R 4025	(A,12,44)	RS1/16SS472J
E	L 4305	(B,21,55) Inductor	CTF1734	R 4026	(B,99,59)	RS1/16SS473J
	L 4306	(B,21,54) Inductor	CTF1734	R 4027	(B,97,60)	RS1/16SS471J
	L 4307	(B,21,53) Inductor	CTF1734	R 4028	(B,95,67)	RS1/10SR0R0J
	L 4308	(B,21,51) Inductor	CTF1734	R 4030	(A,12,41)	RS1/16SS105J
	L 4309	(B,21,48) Inductor	CTF1734	R 4032	(A,17,43)	RS1/16SS682J
	L 4310	(B,22,48) Inductor	CTF1734	R 4033	(A,17,41)	RS1/16SS0R0J
	L 4311	(B,23,47) Inductor	CTF1734	R 4034	(A,112,9)	RS1/16SS183J
	L 4312	(B,24,46) Inductor	CTF1734	R 4035	(A,112,8)	RS1/16SS0R0J
	L 4313	(B,25,44) Inductor	CTF1734	R 4037	(A,20,39)	RS1/16SS101J
	L 4314	(B,26,43) Inductor	CTF1734	R 4038	(A,106,27)	RS1/10SR0R0J
	L 4315	(B,28,44) Inductor	CTF1734	R 4039	(B,14,40)	RS1/10SR0R0J
	L 4316	(B,30,44) Chip Beads	VTL1126	R 4040	(A,117,32)	RS1/16SS472J
F	L 4317	(B,32,44) Inductor	CTF1734	R 4043	(A,48,42)	RS1/16SS4R7J
	L 4318	(B,34,44) Inductor	CTF1734	R 4044	(A,112,31)	RS1/16SS472J
				R 4045	(A,48,44)	RS1/16SS56R0D
				R 4046	(A,122,29)	RS1/16SS201J
				R 4047	(A,49,46)	RS1/16SS1800D
				R 4048	(A,51,46)	RS1/16SS2R2J
				R 4049	(A,119,26)	RS1/16SS621J

1

2

3

4

5		6		7		8	
<u>Circuit Symbol and No.</u>		<u>Part No.</u>		<u>Circuit Symbol and No.</u>		<u>Part No.</u>	
R 4050	(A,51,47)	RS1/16SS47R0D		R 4208	(B,100,21)	RS1/16SS1003D	
R 4051	(A,50,48)	RS1/16SS0R0J		R 4209	(B,102,21)	RS1/16SS9101D	
R 4052	(A,119,28)	RS1/16SS181J		R 4210	(A,101,16)	RS1/16SS6800D	
R 4053	(A,51,49)	RS1/16SS39R0D		R 4211	(A,102,15)	RS1/16SS1502D	A
R 4054	(A,53,49)	RS1/16SS4R7J		R 4212	(A,103,16)	RS1/16SS8201D	
R 4055	(A,122,28)	RS1/16SS620J		R 4213	(A,90,27)	RS1/10SR2R2J	
R 4056	(A,120,25)	RS1/16SS0R0J		R 4214	(A,89,17)	RS1/10SR0R0J	
R 4057	(A,121,25)	RS1/16SS0R0J		R 4215	(A,91,16)	RS1/10SR1203D	
R 4058	(A,123,25)	RS1/16SS0R0J		R 4216	(A,93,16)	RS1/10SR3001D	
R 4059	(A,124,25)	RS1/16SS0R0J		R 4217	(A,93,14)	RS1/10SR1502D	
R 4060	(B,50,37)	RS1/16SS1000D		R 4218	(A,91,15)	RS1/10SR472J	
R 4061	(B,48,38)	RS1/16SS8R2J		R 4301	(B,29,59)	RS1/16SS1000D	
R 4062	(B,50,39)	RS1/16SS1300D		R 4302	(A,25,59)	RS1/16SS0R0J	
R 4063	(B,49,40)	RS1/16SS0R0J		R 4303	(B,33,62)	RS1/16SS103J	
R 4064	(B,50,42)	RS1/16SS1000D		R 4305	(B,35,59)	RS1/16SS103J	B
R 4065	(B,48,43)	RS1/16SS8R2J		R 4306	(B,36,59)	RS1/16SS103J	
R 4066	(B,50,44)	RS1/16SS39R0D		R 4307	(A,35,55)	RS1/16SS103J	
R 4067	(B,48,44)	RS1/16SS4R7J		R 4308	(B,23,55)	RS1/16SS151J	
R 4068	(B,50,45)	RS1/16SS47R0D		R 4309	(B,23,54)	RS1/16SS151J	
R 4069	(B,48,46)	RS1/16SS0R0J		R 4310	(B,23,53)	RS1/16SS151J	
R 4070	(B,50,47)	RS1/16SS1800D		R 4311	(B,23,52)	RS1/16SS151J	
R 4071	(B,51,48)	RS1/16SS2R2J		R 4312	(B,22,50)	RS1/16SS151J	
R 4072	(B,30,37)	RS1/16SS473J		R 4313	(B,23,50)	RS1/16SS151J	
R 4073	(B,52,49)	RS1/16SS33R0D		R 4314	(B,24,49)	RS1/16SS151J	
R 4074	(B,54,49)	RS1/16SS2R4J		R 4315	(B,25,47)	RS1/16SS151J	C
R 4075	(B,27,37)	RS1/16SS473J		R 4316	(B,25,46)	RS1/16SS151J	
R 4076	(A,27,37)	RS1/10SR473J		R 4317	(B,26,45)	RS1/16SS151J	
R 4077	(A,27,38)	RS1/10SR473J		R 4318	(B,28,46)	RS1/16SS151J	
R 4078	(A,104,39)	RS1/16SS221J		R 4319	(B,30,47)	RS1/16SS330J	
R 4079	(A,102,40)	RS1/16SS221J		R 4320	(B,31,46)	RS1/16SS151J	
R 4080	(A,131,61)	RS1/16SS0R0J		R 4321	(B,32,46)	RS1/16SS151J	
R 4081	(A,130,62)	RS1/16SS0R0J		R 4322	(B,33,46)	RS1/16SS151J	
R 4082	(A,130,63)	RS1/16SS0R0J		R 4323	(B,35,47)	RS1/16SS151J	
R 4083	(A,128,62)	RS1/16SS0R0J		R 4324	(B,36,50)	RS1/16SS151J	
R 4084	(B,132,58)	RS1/10SR0R0J		R 4325	(B,37,50)	RS1/16SS151J	
R 4102	(A,108,45)	RS1/16SS0R0J		R 4326	(B,37,51)	RS1/16SS151J	D
R 4103	(B,114,48)	RS1/16SS104J		R 4327	(B,36,52)	RS1/16SS151J	
R 4104	(B,110,46)	RS1/16SS104J		R 4328	(B,37,53)	RS1/16SS151J	
R 4105	(B,111,48)	RS1/16SS102J		R 4329	(B,36,54)	RS1/16SS151J	
R 4108	(A,111,41)	RS1/16SS563J		R 4330	(B,37,55)	RS1/16SS151J	
R 4109	(A,115,42)	RS1/16SS104J		R 4331	(B,36,56)	RS1/16SS151J	
R 4110	(A,116,42)	RS1/16SS101J		R 4332	(A,21,41)	RS1/16SS0R0J	
R 4111	(A,116,50)	RS1/16SS102J		R 4333	(A,21,64)	RS1/10SR0R0J	
R 4112	(B,117,48)	RS1/16SS3002D		R 4334	(A,21,62)	RS1/10SR0R0J	
R 4113	(B,117,46)	RS1/16SS1001D		R 4339	(A,23,48)	RS1/10SR0R0J	
R 4114	(A,120,48)	RS1/16SS0R0J		R 4340	(A,26,48)	RS1/10SR0R0J	
R 4115	(A,120,47)	RS1/16SS0R0J					E
R 4116	(A,120,46)	RS1/16SS0R0J					
R 4117	(A,119,43)	RS1/16SS0R0J					
R 4118	(B,119,50)	RS1/16SS1004D					
R 4119	(B,118,50)	RS1/16SS0R0J					
R 4120	(B,118,47)	RS1/16SS6802D					
R 4121	(A,121,57)	RS1/10SR0R0J					
R 4201	(A,91,18)	RS1/16SS103J					
R 4202	(B,101,17)	RS1/16SS9102D					
R 4203	(B,99,17)	RS1/16SS1802D					
R 4204	(B,93,17)	RS1/16SS203J					
R 4205	(B,93,15)	RS1/16SS104J					
R 4206	(A,97,27)	RS1/16SS103J					
R 4207	(A,97,16)	RS1/16SS472J					
				<u>CAPACITORS</u>			
				C 4010	(B,100,65)	CKSRYB104K16	
				C 4011	(B,98,59)	CCSSCH101J50	
				C 4012	(A,12,42)	CKSSYB104K16	
				C 4013	(A,110,9)	CKSSYB104K10	
				C 4014	(A,112,10)	CKSSYB104K10	
				C 4015	(B,13,42) 10 uF	DCH1165	
				C 4016	(A,110,27) 10 uF	CCG1234	
				C 4017	(A,114,23) 10 uF	CCG1234	
				C 4018	(A,115,25)	CKSSYB104K10	F
				C 4019	(A,112,27)	CKSSYB104K10	
				C 4030	(B,51,37)	CKSSYB102K50	

1

Circuit Symbol and No.

C 4032 (B,51,38)
 C 4034 (B,51,40)
 C 4035 (A,89,19)
 C 4037 (B,51,39)

A

C 4039 (B,39,32) 10 uF
 C 4045 (B,35,33)
 C 4050 (B,26,32) 10 uF
 C 4051 (B,37,33)
 C 4053 (B,27,31)

C 4056 (B,28,31)
 C 4058 (B,15,33)
 C 4061 (B,20,33) 4.7 uF
 C 4062 (B,19,37)
 C 4063 (B,22,31)

B

C 4065 (B,21,37)
 C 4067 (A,20,36)
 C 4101 (A,89,63) 10 uF
 C 4105 (A,110,44)
 C 4106 (A,108,46)

C 4108 (A,113,40)
 C 4109 (A,114,42)
 C 4111 (A,118,55) 10 uF
 C 4113 (A,119,50)
 C 4201 (B,90,20)

C

C 4202 (B,104,17)
 C 4203 (B,92,17)
 C 4204 (B,103,26)
 C 4206 (B,102,23)
 C 4207 (B,101,19)

C 4209 (B,99,27)
 C 4210 (B,99,24)
 C 4211 (A,100,12)
 C 4212 (A,99,12)
 C 4213 (A,98,12)

D

C 4215 (A,101,26)
 C 4216 (A,96,14)
 C 4217 (A,91,29)
 C 4218 (A,102,18)
 C 4219 (B,101,21)

C 4220 (A,102,20)
 C 4221 (A,88,27)
 C 4222 (A,88,23)
 C 4223 (A,88,21)
 C 4224 (A,93,15)

E

C 4301 (B,22,63) 10 uF
 C 4302 (B,29,61)
 C 4303 (B,30,61)
 C 4304 (B,22,65) 10 uF
 C 4305 (B,23,62)

C 4306 (A,27,55)
 C 4307 (A,27,54)
 C 4308 (B,27,59)
 C 4309 (B,31,60)
 C 4310 (B,31,59)

F

C 4311 (B,28,59)
 C 4312 (B,33,60)
 C 4313 (B,33,59)
 C 4314 (A,25,57)
 C 4315 (A,25,58)

C 4316 (B,30,45)

2

Part No.

CKSSYB104K16
 CKSSYB102K50
 CKSSYB102K50
 CKSSYB104K16

DCH1165
 CKSSYB104K16
 CCG1234
 CKSSYB102K50
 CKSSYB104K10

CKSSYB102K50
 CKSQYB225K16
 CCG1201
 CKSQYB334K50
 CKSSYB104K16

CKSRYB104K50
 CKSSYB104K16
 CCG1236
 CKSRYB105K16
 CKSRYB105K16

CKSRYB105K10
 CCSSCH101J50
 CCG1236
 CKSRYB224K16
 CKSSYB102K50

CKSRYB105K16
 CKSSYB105K6R3
 CKSQYB105K25
 CKSQYB105K25
 CKSRYB104K50

CKSRYB104K50
 CKSRYB104K50
 CKSSYB224K6R3
 CKSSYB224K6R3
 CKSSYB105K6R3

CKSYB475K16
 CKSRYB682K50
 CKSQYB475K6R3
 CCSQCH101J50
 CKSSYB561K50

CKSRYB224K16
 CKSRYB472K50
 CKSYB475K16
 CKSYB475K16
 CKSRYB471K50

CCG1234
 CKSSYB104K10
 CKSSYB104K10
 CCG1234
 CKSSYB103K16

CKSSYB104K10
 CKSSYB103K16
 CKSSYB104K10
 CKSSYB104K10
 CKSSYB103K16

CKSSYB103K16
 CKSSYB104K10
 CKSSYB103K16
 CKSSYB104K10
 CKSSYB103K16

CCSSCH100D50

3

Circuit Symbol and No.

C 4321 (A,100,51) 10 uF
 C 4322 (A,102,51) 10 uF
 C 4323 (A,34,58)
 C 4324 (A,28,51)

C 4325 (A,34,53)

E**Unit Number : CXX5404****Unit Name : Key Unit(Service)****MISCELLANEOUS**

D 5001 (A,7,22) LED SMLVN6RGB2U(A)
 D 5002 (A,7,61) LED SMLVN6RGB2U(A)
 S 5001 (A,6,71) Switch CSN1057
 S 5002 (A,13,75) Push Switch CSG1155
 S 5003 (A,12,30) Push Switch CSG1155
 S 5004 (A,12,53) Push Switch CSG1155
 S 5005 (A,12,48) Push Switch CSG1155
 S 5006 (A,12,67) Push Switch CSG1155
 S 5007 (A,12,39) Push Switch CSG1155
 S 5008 (A,12,9) Push Switch CSG1155
 S 5009 (A,12,14) Push Switch CSG1155
 CN5001 (B,12,51) Connector CKS6523

RESISTORS

R 5001 (A,8,49) RS1/16SS1201D
 R 5002 (A,5,55) RS1/16SS1201D
 R 5003 (A,8,48) RS1/16SS242J
 R 5004 (A,6,15) RS1/16SS242J
 R 5005 (A,7,15) RS1/16SS682J

CAPACITORS

C 5001 (B,6,21) CKSSYB104K16
 C 5003 (B,8,21) CKSSYB104K16
 C 5004 (B,6,59) CKSSYB104K16
 C 5006 (B,8,59) CKSSYB104K16

F**Unit Number : CXX5405****Unit Name : Micro SD Unit(Service)****MISCELLANEOUS**

CN5951 (A,12,10) Connector CKS6195
 CN5952 (B,12,22) Connector CKS6527

RESISTORS

R 5951 (A,10,22) RS1/16SS330J
 R 5952 (A,11,22) RS1/16SS330J
 R 5953 (B,11,16) RS1/16SS330J
 R 5954 (B,13,14) RS1/16SS0R0J
 R 5955 (A,13,22) RS1/16SS0R0J

R 5956 (A,16,22) RS1/16SS330J
 R 5957 (A,17,22) RS1/16SS330J
 R 5958 (B,11,11) RS1/16SS330J

CAPACITORS

C 5958 (B,12,16) CKSSYB104K10

1

2

3

4