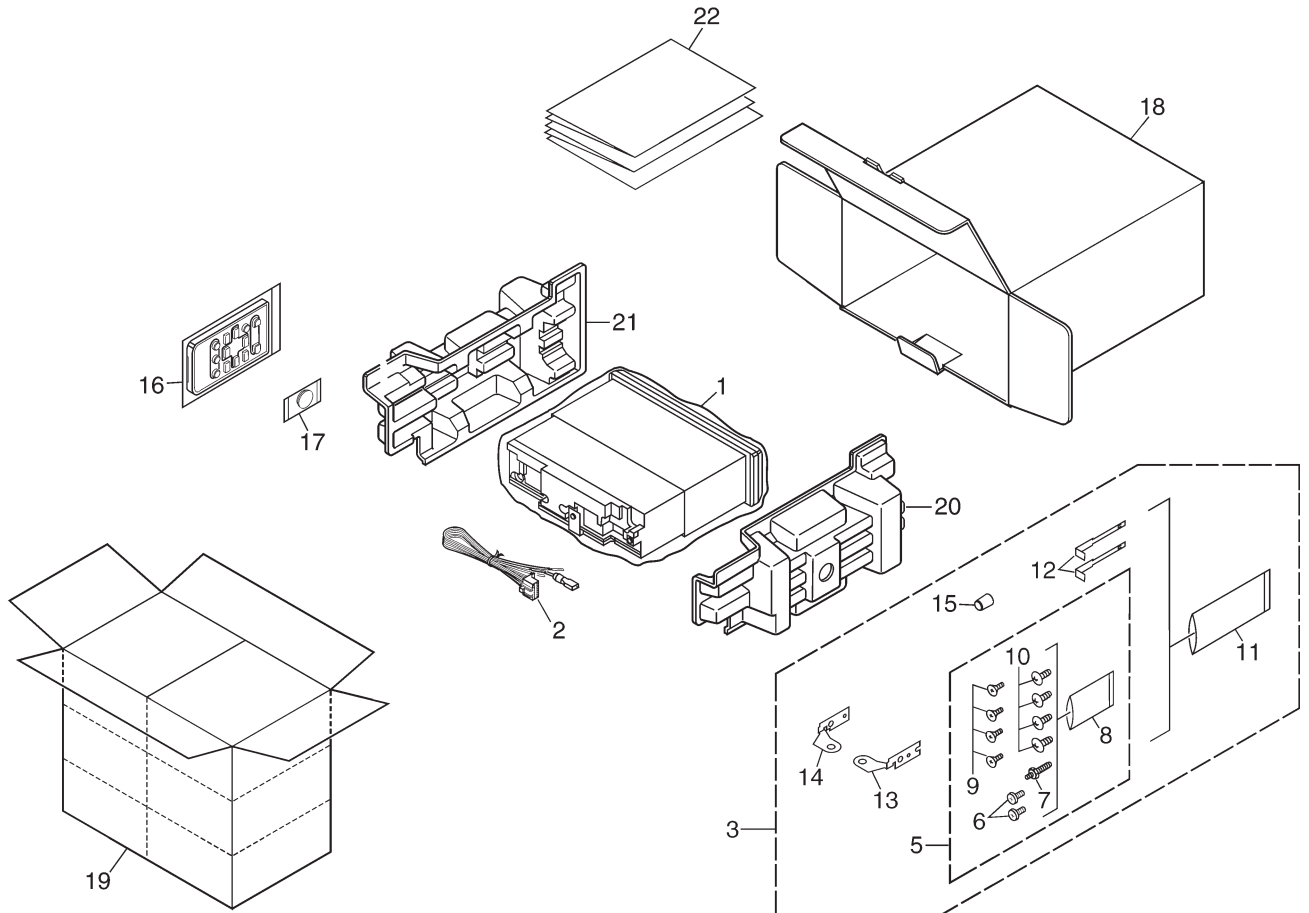


2. EXPLODED VIEWS AND PARTS LIST

NOTES : • Parts marked by " * " are generally unavailable because they are not in our Master Spare Parts List.

- The \triangle mark found on some component parts indicates the importance of the safety factor of the part. Therefore, when replacing, be sure to use parts of identical designation.
- Screw adjacent to ∇ mark on the product are used for disassembly.
- For the applying amount of lubricants or glue, follow the instructions in this manual.
(In the case of no amount instructions, apply as you think it appropriate.)

2.1 PACKING



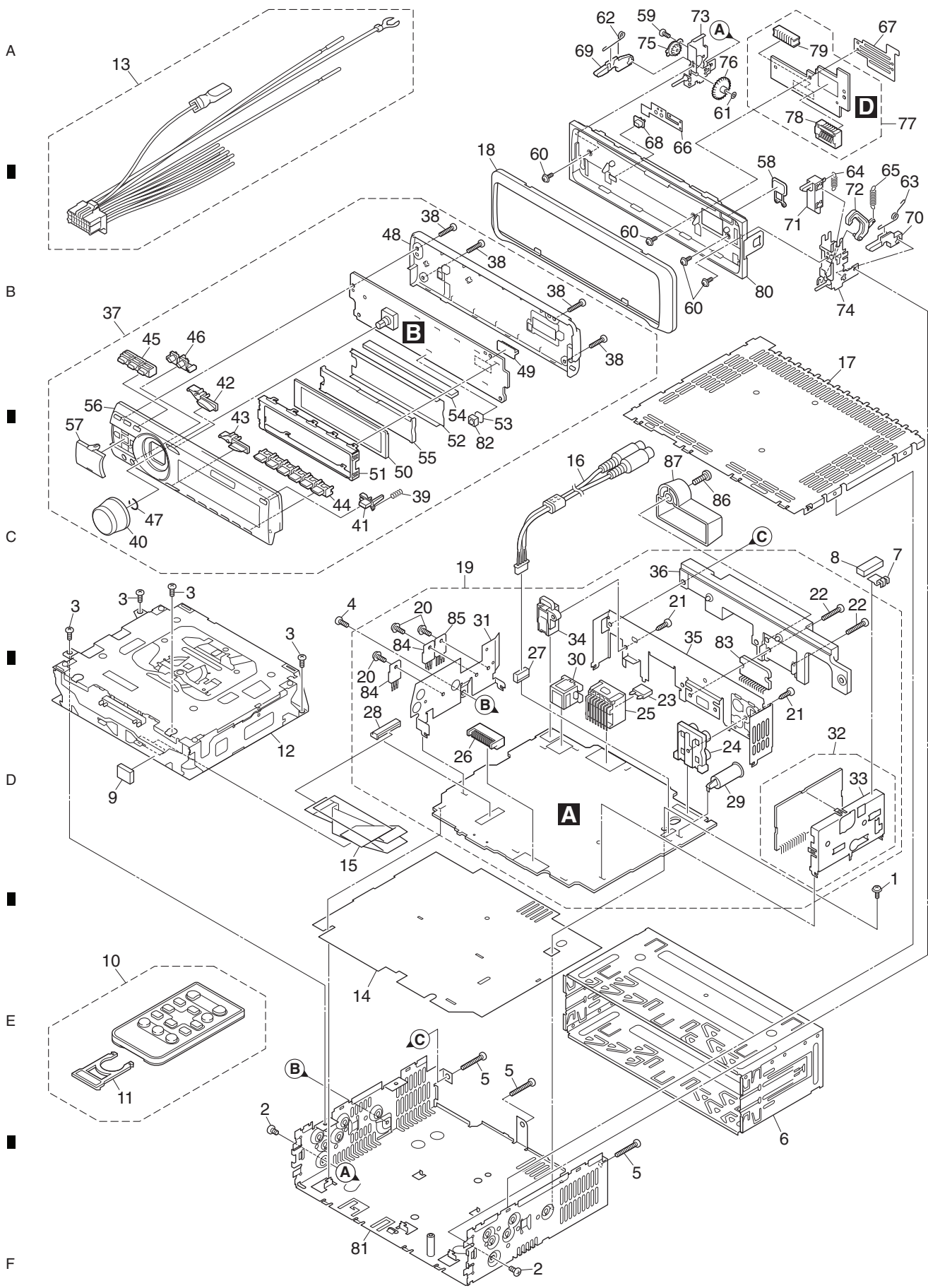
PACKING SECTION PARTS LIST

Mark No.	Description	Part No.	Mark No.	Description	Part No.
1	Polyethylene Bag	CEG1173	16	Remote Control Assy	CXC5719
2	Cord Assy	XDE7008	* 17	Battery	CEX1065
* 3	Accessory Assy	YEA5008	18	Carton(P480MP)	YHG5078
4	*****			Carton(P4800MP)	YHG5077
5	Screw Assy	YEA5007	19	Contain Box(P480MP)	YHL5055
				Contain Box(P4800MP)	YHL5054
6	Fixing Screw	BPZ20P060FTB	20	Protector	YHP5008
7	Screw	CBA1650			
* 8	Polyethylene Bag	CEG-127	21	Protector	YHP5009
9	Screw	CRZ50P090FTC	22-1	Owner's Manual(P480MP)	YRD5038
10	Screw	TRZ50P080FTC		Owner's Manual(P4800MP)	YRD5037
			22-2	Installation Manual(P480MP)	YRD5043
* 11	Polyethylene Bag	CEG-158		Installation Manual(P4800MP)	YRD5042
12	Handle	CNC5395			
13	Holder	CND1249	22-3	Caution Card	CRP1310
14	Holder	CND1250	* 22-4	Warranty Card(P480MP)	CRY1070
15	Bush	CNV3930	* 22-5	Warranty Card(P4800MP)	CRY1246
				Caution Card(P4800MP)	CRP1294

Owner's Manual, Installation Manual

Part No.	Language
YRD5038, YRD5037, YRD5043, YRD5042	English, French, Spanish

2.2 EXTERIOR



EXTERIOR SECTION PARTS LIST

<u>Mark No.</u>	<u>Description</u>	<u>Part No.</u>	<u>Mark No.</u>	<u>Description</u>	<u>Part No.</u>
1	Screw	ASZ26P050FTC	46	Button(CLOCK,DISPLAY)(P480MP)	YAC5098
2	Screw	BMZ30P040FTB		Button(CLOCK,DISPLAY)(P4800MP)	YAC5073
3	Screw	BSZ26P060FTC			
4	Screw	BSZ30P060FTC	47	Spring	YBH5003
5	Screw	BSZ30P200FTC	48	Cover	YNS5113
6	Holder	CNC8659	49	Connector(CN1801)	CKS5207
7	Earth Plate	CNC8915	50	LCD(LCD1801)	YAW5051
8	Cushion	CNM8890	51	Holder	YNC5013
9	Insulator	CNM7682	52	Sheet	YNM5015
10	Remote Control Assy	CXC5719	53	Spacer	YNM5016
11	Cover	CNS7068	54	Connector	YNV5030
12	CD Mechanism Module(S10.5)	CXK5750	55	Lighting Conductor	YNV5032
13	Cord Assy	XDE7008	56	Grille Unit(P480MP)	YXA5159
14	Insulator	XNM7100		Grille Unit(P4800MP)	YXA5127
15	Cable	YDE5013	57	Button Unit(UP,DOWN,LEFT,RIGHT)(P480MP)	YXC5025
16	Cord Assy	YDE5014		Button Unit(UP,DOWN,LEFT,RIGHT)(P4800MP)	YXC5022
17	Case	YNB5008	58	Button(EJECT)	CAC7752
18	Panel(P480MP)	YNS5157	59	Screw(M2 x 4)	CBA1649
	Panel(P4800MP)	YNS5114	60	Screw(M2 x 4.5)	CBA1925
19	Tuner Amp Unit(P480MP)	YWM5085	61	Washer	CBF1038
	Tuner Amp Unit(P4800MP)	YWM5087	62	Spring	CBH2650
20	Screw	ASZ26P060FTC	63	Spring	CBH2651
21	Screw	BPZ26P080FTC	64	Spring	CBH2652
22	Screw	BSZ26P160FTC	65	Spring	CBH2653
⚠ 23	Fuse(10 A)	CEK1208	66	Spring	CBL1512
24	Pin Jack(CN353)	CKB1051	67	Holder	CND1254
25	Plug(CN901)	CKM1376	68	Pin	CNV6486
26	Plug(CN801)	CKS3537	69	Arm	CNV7400
27	Connector(CN352)	CKS3584	70	Arm	CNV7401
28	Connector(CN701)	CKS3834	71	Arm	CNV7402
29	Antenna Jack(CN401)	CKX1056	72	Arm	CNV7403
30	Connector(CN101)	CKS5271	73	Holder Unit	CXB9501
31	Holder	CND1352	74	Holder Unit	CXB9502
32	FM/AM Tuner Unit	CWE1957	75	Damper Unit	CXB9503
33	Holder	CND1054	76	Gear	YNV5053
34	JACK(CN621)	YKS5001	77	Panel Unit	YWM5099
35	Holder	YNC5015	78	Connector(CN1901)	CKS4806
36	Heat Sink	YNR5004	79	Connector(CN1902)	CKS5192
37	Detachable Assy(P480MP)	YXA5104	80	Sub Panel Unit	YXA5160
	Detachable Assy(P4800MP)	YXA5105	81	Chassis Unit	YXA5131
38	Screw	BPZ20P100FTB	82	IC(IC1801)	TSOP4840SB1
39	Spring	CBH2210	83	IC(IC301)	PAL007B
40	Knob(SOURCE,VOLUME)	YAA5006	84	Transistor(Q702,Q911)	2SD2396
41	Button(OPEN)	YAC5067	85	IC(IC921)	NJM2388F84
42	Button(EQ)	YAC5068	86	Screw(P4800MP)	BMZ40P140FTC
43	Button(BAND)	YAC5069	87	Holder(P4800MP)	CNV7619
44	Button(1-6)	YAC5070			
45	Button(AUDIO,FUNCTION,SW)(P480MP)	YAC5096			
	Button(AUDIO,FUNCTION,SW)(P4800MP)	YAC5072			

2.3 CD MECHANISM MODULE

A

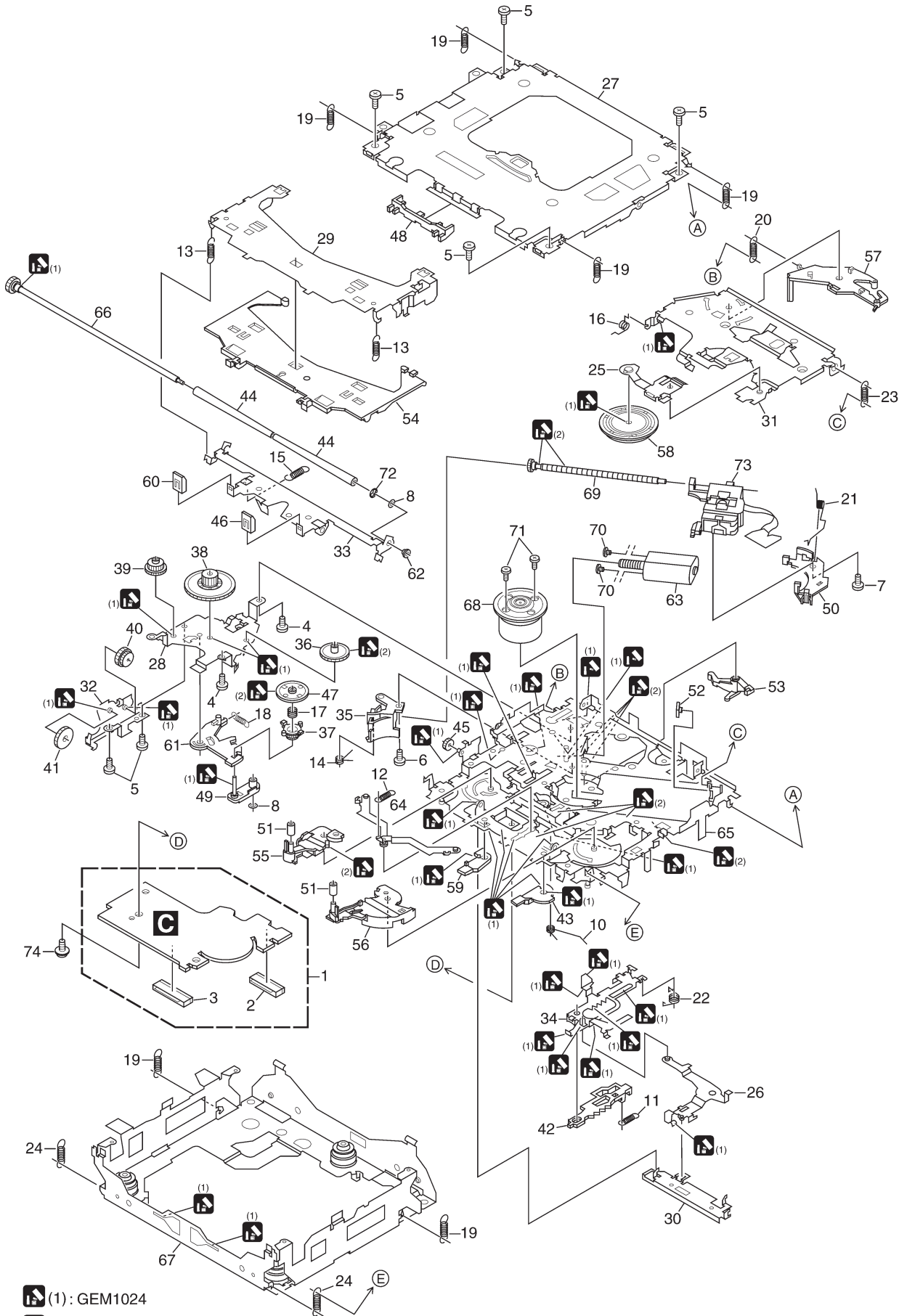
B

C

D

E

F



(1): GEM1024
 (2): GEM1045

CD MECHANISM MODULE SECTION PARTS LIST

<u>Mark No.</u>	<u>Description</u>	<u>Part No.</u>	<u>Mark No.</u>	<u>Description</u>	<u>Part No.</u>
1	CD Core Unit(S10.5COMP1)	CWX3176	50	Rack	CNV8342
2	Connector(CN101)	CKS4808			
3	Connector(CN901)	CKS5284	51	Roller	CNV8343
4	Screw	BMZ20P025FTC	52	Holder	CNV8344
5	Screw	BSZ20P040FTC	53	Arm	CNV8345
			54	Guide	CNV8347
6	Screw(M2 x 3)	CBA1511	55	Arm	CNV8348
7	Screw(M2 x 4)	CBA1835			
8	Washer	CBF1038	56	Arm	CNV8349
9		57	Arm	CNV8350
10	Spring	CBH2609	58	Clamper	CNV8365
			59	Arm	CNV8386
11	Spring	CBH2612	60	Guide	CNV8396
12	Spring	CBH2614			
13	Spring	CBH2616	61	Arm	CNV8413
14	Spring	CBH2617	62	Collar	CNV8447
15	Spring	CBH2620	63	Motor Unit(M2)	CXC4026
			64	Arm Unit	CXC4027
16	Spring	CBH2855	65	Chassis Unit	CXC4028
17	Spring	CBH2937			
18	Spring	CBH2735	66	Gear Unit	CXC4029
19	Spring	CBH2854	67	Frame Unit	CXC4031
20	Spring	CBH2642	68	Motor Unit(M1)	CXC6742
			69	Screw Unit	CXC6359
21	Spring	CBH2856	70	Screw	JFZ20P020FTC
22	Spring	CBH2857			
23	Spring	CBH2860	71	Screw	JGZ17P022FTC
24	Spring	CBH2861	72	Washer	YE20FTC
25	Spring	CBL1686	73	Pickup Unit(P10.5)(Service)	CXX1942
			74	Screw	IMS26P030FTC
26	Arm	CND1909			
27	Frame	CND2582			
28	Bracket	CND2583			
29	Arm	CND2584			
30	Lever	CND2585			
31	Arm	CND2586			
32	Bracket	CND2587			
33	Arm	CND2588			
34	Lever	CND2589			
35	Holder	CNV7201			
36	Gear	CNV7207			
37	Gear	CNV7208			
38	Gear	CNV7209			
39	Gear	CNV7210			
40	Gear	CNV7211			
41	Gear	CNV7212			
42	Rack	CNV7214			
43	Arm	CNV7216			
44	Roller	CNV8189			
45	Gear	CNV7219			
46	Guide	CNV7361			
47	Gear	CNV7595			
48	Guide	CNV8448			
49	Arm	CNV7805			

5. ELECTRICAL PARTS LIST

NOTE:

- Parts whose parts numbers are omitted are subject to being not supplied.
- The part numbers shown below indicate chip components.

Chip Resistor

RS1/○S○○○○J,RS1/○○S○○○○J

Chip Capacitor (except for CQS.....)

CKS....., CCS....., CSZS.....

- The \triangle mark found on some component parts indicates the importance of the safety factor of the part. Therefore, when replacing, be sure to use parts of identical designation.
- Meaning of the figures and others in the parentheses in the parts list.

Example) IC 301 is on the point (face A, 91 of x-axis, and 111 of y-axis) of the corresponding PC board.

IC 301 (A, 91, 111) IC NJM2068V

Circuit Symbol and No.	Part No.	Circuit Symbol and No.	Part No.
Unit Number: YWM5085(P480MP)	Q 451 (B,124,116) Transistor	DTC124EU	
Unit Name : Tuner Amp Unit	Q 453 (B,124,122) Transistor	UMD2N	
Unit Number: YWM5087(P4800MP)	Q 701 (B,30,54) Transistor	UMD2N	
Unit Name : Tuner Amp Unit	Q 702 (A,9,71) Transistor	2SD2396	
Unit Number:	Q 801 (B,132,27) Transistor	DTC114EU	
Unit Name : Keyboard Unit	Q 802 (B,135,32) Transistor	2SA1576	
Unit Number: YWM5099	Q 841 (B,129,33) Transistor	2SA1036K	
Unit Name : Panel Unit	Q 842 (B,125,35) Transistor	DTC114EU	
Unit Number: CWX3176	Q 851 (B,41,17) Transistor	2SA1036K	
Unit Name : CD Core	Q 852 (B,51,12) Transistor	DTC114EU	
Unit(S10.5COMP1)	Q 911 (A,9,106) Transistor	2SD2396	
	Q 912 (B,21,74) Transistor	UMD2N	
	Q 931 (B,64,92) Transistor	UMX1N	
	D 171 (A,44,75) Diode	HZS11L(A1)	
	D 172 (A,107,102) Diode	S5688G	
	D 701 (A,25,57) Diode	HZS7L(C3)	
	D 801 (B,35,20) Diode	DAN202U	
	D 802 (B,39,23) Diode	DAP202U	
	D 803 (B,116,30) Diode	DAN202U	
	D 804 (B,115,26) Diode	DAP202U	
	D 805 (B,115,43) Diode	DAN202U	
	D 806 (B,110,44) Diode	DAP202U	
	D 901 (A,77,115) Diode	S5688G	
	D 902 (A,80,111) Diode	S5688G	
	D 903 (A,70,100) Diode	S5688G	
	D 904 (A,66,100) Diode	S5688G	
	D 911 (A,24,84) Diode	S5688G	
	D 912 (A,24,78) Diode	HZS6L(B2)	
	D 931 (A,60,95) Diode	HZS7L(C3)	
	D 932 (A,56,91) Diode	HZS7L(A1)	
	L 101 (A,54,73) Inductor	LAU2R2K	
	L 161 (A,116,85) Inductor	LAU2R2K	
	L 171 (A,103,99) Inductor	YTF5001	
	L 172 (A,116,107) Inductor	YTF5001	
	L 401 (A,159,91) Inductor	LAU1R0K	
	L 402 (B,159,96) Inductor	LCTAW220J2520	
	L 403 (A,158,54) Inductor	LAU1R0K	
	L 602 (A,99,37) Inductor	LAU2R2K	
	L 701 (A,64,70) Ferri-Inductor	LAU100K	
	L 852 (A,50,16) Inductor	LAU2R2K	
	L 901 (A,39,107) Choke Coil 600μH	CTH1280	
MISCELLANEOUS			
IC 101 (B,63,61) IC	HA12241FP		
IC 151 (B,136,85) IC	PML015A		
IC 171 (B,101,94) IC	NJM2360M		
IC 301 (A,96,137) IC	PAL007B		
IC 401 (B,153,28) IC	NJM2885DL1-33		
IC 601 (B,88,57) IC	PEG155B		
IC 751 (B,124,67) IC	NJM4558MD		
IC 921 (A,10,124) IC	NJM2388F84		
IC 961 (B,67,35) IC	BD4843G		
Q 101 (B,42,99) Transistor	2SA1576		
Q 102 (B,34,116) Transistor	DTC114EU		
Q 171 (B,46,78) Transistor	UMD2N		
Q 172 (B,53,79) Transistor	2SD2674		
Q 351 (B,163,134) Transistor	UMH3N		
Q 352 (B,141,124) Transistor	UMH3N		
Q 353 (B,141,129) Transistor	UMH3N		

<u>Circuit Symbol and No.</u>	<u>Part No.</u>
X 601 (A,76,38) Crystal Resonator 15.000MHz	CSS1653
S 801 (A,26,14) Switch(DSENS)	CSN1039
△FU352 (B,163,117) Fuse 3A	CEK1286
△FU353 (B,134,137) Fuse 3A	CEK1286
Z 401 (A,166,99) FM/AM Tuner Unit	CWE1952
△ Fuse 10A	CEK1208
BZ601 (A,23,35) Buzzer	CPV1062
AR401 (A,175,107) Surge Protector	DSP-201M-S00B

RESISTORS

R 101 (B,35,126)	RS1/16S181J
R 102 (B,36,104)	RS1/16S222J
R 103 (B,27,132)	RS1/16S181J
R 104 (B,38,139)	RS1/16S101J
R 105 (B,29,138)	RS1/16S101J
R 106 (B,33,125)	RS1/16S223J
R 107 (B,29,130)	RS1/16S223J
R 108 (B,30,129)	RS1/16S102J
R 109 (B,31,125)	RS1/16S102J
R 110 (B,38,100)	RS1/16S332J
R 111 (B,36,111)	RS1/16S562J
R 112 (A,69,70)	RD1/4PU102J
R 113 (B,71,57)	RS1/16S472J
R 114 (B,69,57)	RS1/16S472J
R 116 (B,32,140)	RS1/16S470J
R 117 (B,31,140)	RS1/16S150J
R 118 (B,59,66)	RS1/16S0R0J
R 151 (B,94,74)	RS1/16S102J
R 152 (B,94,76)	RS1/16S102J
R 153 (B,94,77)	RS1/16S102J
R 171 (B,46,81)	RS1/16S122J
R 172 (B,42,81)	RS1/16S122J
R 173 (B,95,90)	RS1/16S101J
R 176 (B,99,102)	RS1/16S1R0J
R 177 (B,95,100)	RS1/16S391J
R 178 (B,95,92)	RS1/16S102J
R 179 (A,107,98)	RD1/4PU103J
R 301 (B,130,111)	RS1/16S103J
R 302 (B,144,111)	RS1/16S183J
R 303 (B,129,111)	RS1/16S103J
R 304 (B,145,111)	RS1/16S103J
R 305 (B,133,111)	RS1/16S183J
R 306 (B,147,111)	RS1/16S103J
R 307 (B,136,111)	RS1/16S183J
R 308 (B,141,111)	RS1/16S183J
R 309 (A,88,79)	RD1/4PU153J
R 351 (B,152,97)	RS1/16S820J
R 352 (B,159,133)	RS1/16S0R0J
R 353 (B,136,107)	RS1/16S820J
R 354 (B,138,107)	RS1/16S820J
R 355 (B,141,126)	RS1/16S820J
R 356 (B,137,103)	RS1/16S820J
R 358 (B,135,133)	RS1/16S820J
R 359 (B,146,133)	RS1/16S223J
R 360 (B,166,139)	RS1/16S223J
R 361 (B,162,114)	RS1/16S223J
R 362 (B,162,121)	RS1/16S223J
R 363 (B,138,133)	RS1/16S223J
R 364 (B,140,133)	RS1/16S223J
R 381 (B,137,129)	RS1/16S0R0J

Circuit Symbol and No. Part No.

R 382 (B,145,129)	RS1/16S0R0J
R 383 (B,147,127)	RS1/16S0R0J
R 384 (B,145,123)	RS1/16S0R0J
R 385 (B,148,123)	RS1/16S0R0J
R 386 (B,166,136)	RS1/16S0R0J
R 401 (B,160,60)	RS1/16S681J
R 403 (B,160,78)	RS1/16S681J
R 404 (B,160,81)	RS1/16S681J
R 405 (B,160,83)	RS1/16S681J
R 406 (B,160,85)	RS1/16S681J
R 407 (B,160,87)	RS1/16S0R0J
R 414 (A,138,38)	RD1/4PU1R8J
R 421 (B,157,77)	RS1/16S0R0J
R 451 (B,125,113)	RS1/16S103J
R 452 (B,125,125)	RS1/16S221J
R 453 (B,124,119)	RS1/16S153J
R 454 (A,120,119)	RD1/4PU102J
R 602 (B,72,41)	RS1/16S103J
R 603 (B,94,80)	RS1/16S103J
R 604 (B,100,63)	RS1/16S681J
R 605 (B,158,60)	RS1/16S681J
R 606 (B,107,43)	RS1/16S103J
R 607 (B,147,55)	RS1/16S681J
R 609 (B,104,44)	RS1/16S473J
R 610 (B,104,54)	RS1/16S473J
R 612 (B,101,74)	RS1/16S103J
R 613 (B,100,76)	RS1/16S103J
R 615 (B,70,64)	RS1/16S0R0J
R 616 (B,61,36)	RS1/16S473J
R 618 (B,36,31)	RS1/16S102J
R 620 (B,96,66)	RS1/16S0R0J
R 621 (B,18,145)	RS1/16S102J
R 622 (B,16,142)	RS1/16S102J
R 701 (A,20,54)	RD1/4PU271J
R 702 (A,20,61)	RD1/4PU121J
R 703 (B,57,54)	RS1/16S682J
R 704 (B,54,42)	RS1/16S682J
R 705 (B,57,51)	RS1/16S682J
R 706 (B,57,48)	RS1/16S682J
R 707 (B,45,52)	RS1/16S104J
R 708 (B,57,47)	RS1/16S221J
R 709 (B,48,47)	RS1/16S221J
R 710 (B,57,50)	RS1/16S221J
R 711 (B,52,42)	RS1/16S221J
R 712 (B,57,53)	RS1/16S221J
R 713 (B,61,34)	RS1/16S102J
R 715 (B,45,56)	RS1/16S0R0J
R 751 (B,118,64)	RS1/16S103J
R 752 (B,118,69)	RS1/16S103J
R 753 (B,113,74)	RS1/16S103J
R 754 (B,122,72)	RS1/16S103J
R 755 (B,116,74)	RS1/16S103J
R 756 (B,129,67)	RS1/16S103J
R 757 (B,116,75)	RS1/16S103J
R 758 (B,110,75)	RS1/16S103J
R 759 (B,113,75)	RS1/16S103J
R 760 (B,123,79)	RS1/16S103J
R 761 (B,126,62)	RS1/16S0R0J
R 762 (B,119,78)	RS1/16S0R0J
R 801 (B,115,48)	RS1/16S473J

Circuit Symbol and No.**Part No.****Circuit Symbol and No.****Part No.**

			C 163	(B,125,87)	CKSRYB104K25
R 802	(B,136,35)	RS1/16S222J			
R 803	(B,117,45)	RS1/16S473J	C 165	(A,136,97)	CEJQ100M16
A R 804	(B,116,24)	RS1/16S222J	C 171	(B,43,78)	CKSRYB104K50
R 805	(B,106,25)	RS1/16S222J	C 172	(A,93,96)	CEJQ101M16
R 806	(A,91,16)	RD1/4PU222J	C 173	(B,95,95)	CKSRYB104K50
			C 174	(B,106,92)	CKSRYB102K50
R 807	(B,86,15)	RS1/16S222J			
R 809	(B,142,39)	RS1/16S222J	C 176	(A,112,93)	CEJQ101M16
R 811	(B,93,31)	RS1/16S473J	C 177	(B,122,95)	CKSRYB103K50
R 812	(B,109,41)	RS1/16S473J	C 178	(A,119,102)	CEJQ101M16
R 813	(B,111,28)	RS1/16S104J	C 305	(A,128,119)	CFTNA224J50
			C 306	(A,143,119)	CFTNA224J50
R 814	(B,96,31)	RS1/16S102J			
R 815	(B,108,27)	RS1/16S102J	C 307	(A,133,119)	CFTNA224J50
R 816	(B,123,26)	RS1/16S1R0J	C 308	(A,138,119)	CFTNA224J50
B R 817	(B,115,47)	RS1/16S473J	C 309	(B,127,146)	CKSQYB225K10
R 818	(B,62,40)	RS1/16S104J	C 310	(B,132,137)	CKSQYB225K10
			C 311	(A,107,128)	CEJQ100M16
R 819	(B,30,19)	RS1/16S102J			
R 820	(B,127,25)	RS1/16S391J	C 313	(A,54,125) 3300 μ F/16V	CCH1494
R 821	(B,93,40)	RS1/16S222J	C 351	(A,129,96)	CEJQ2R2M50
R 822	(B,46,70)	RS1/16S102J	C 352	(A,142,96)	CEJQ2R2M50
R 823	(B,46,71)	RS1/16S102J	C 353	(A,134,104)	CEJQ2R2M50
			C 354	(A,142,104)	CEJQ2R2M50
R 824	(B,115,50)	RS1/16S102J			
R 826	(B,121,25)	RS1/16S0R0J	C 355	(A,127,104)	CEJQ2R2M50
R 831	(B,137,28)	RS1/16S1R0J	C 356	(A,148,104)	CEJQ2R2M50
R 832	(B,133,32)	RS1/16S473J	C 357	(B,147,133)	CKSRYB222K50
C R 833	(B,135,28)	RS1/16S103J	C 358	(B,164,139)	CKSRYB222K50
			C 401	(A,152,53)	CEJQ470M6R3
R 841	(B,130,29)	RS1/16S103J			
R 842	(B,128,28)	RS1/16S222J	C 402	(B,155,51)	CKSRYB103K50
R 851	(B,34,17)	RS1/16S153J	C 403	(B,151,34)	CKSRYB103K50
R 852	(B,43,14)	RS1/16S153J	C 405	(A,154,87)	CEJQ101M10
R 853	(B,119,17)	RS1/16S222J	C 406	(B,170,91)	CKSRYB104K25
			C 407	(B,166,66)	CKSRYB103K50
R 911	(B,21,71)	RS1/16S223J			
R 912	(A,24,81)	RD1/4PU152J	C 408	(A,142,32)	CEJQ220M16
R 922	(B,14,117)	RS1/16S473J	C 409	(B,167,131)	CKSRYB103K50
R 931	(B,63,56)	RS1/16S104J	C 410	(B,141,28)	CKSRYB474K10
D R 932	(B,57,57)	RS1/16S104J	C 411	(B,170,90)	CCSRCH470J50
			C 451	(A,124,127)	CEJQ330M10
R 933	(B,64,94)	RS1/16S104J			
R 934	(B,64,96)	RS1/16S473J	C 601	(B,76,43)	CCSRCH180J50
R 935	(B,60,91)	RS1/16S473J	C 602	(B,81,43)	CCSRCH200J50
R 936	(B,64,97)	RS1/16S473J	C 604	(B,97,42)	CKSRYB104K16
R 937	(B,65,122)	RS1/16S473J	C 605	(A,100,42)	CEJQ100M16
			C 606	(B,74,32)	CKSRYB104K16
R 938	(B,63,127)	RS1/4SA102J			
R 961	(B,73,35)	RS1/16S102J	C 607	(A,76,30)	CEJQ100M16
R 962	(B,64,38)	RS1/16S822J	C 609	(B,147,52)	CCSRCH470J50
			C 701	(B,31,51)	CKSRYB473K25
			C 703	(A,34,35) 470 μ F/16V	CCH1331
			C 704	(B,145,77)	CKSRYB105K10
CAPACITORS					
E C 101	(B,29,142)	CKSRYB104K16			
C 104	(B,52,69)	CKSRYB103K50	C 705	(B,134,70)	CKSRYB105K10
C 151	(B,146,82)	CKSRYB105K10	C 751	(B,116,64)	CCSRCH101J50
C 152	(B,146,80)	CKSRYB105K10	C 752	(B,113,69)	CKSRYB105K10
C 153	(B,163,71)	CKSRYB224K16	C 753	(B,113,72)	CCSRCH101J50
			C 754	(B,116,72)	CCSRCH101J50
C 154	(B,133,67)	CKSRYB474K10			
C 155	(B,160,69)	CKSRYB224K16	C 755	(B,131,67)	CCSRCH101J50
C 156	(B,126,79)	CKSRYB474K10	C 756	(B,122,71)	CKSRYB105K10
C 157	(B,126,80)	CKSRYB105K10	C 757	(B,116,77)	CKSRYB474K10
C 158	(B,126,82)	CKSRYB105K10	C 758	(B,107,81)	CKSRYB474K10
			C 759	(B,113,76)	CKSRYB474K10
F C 159	(B,126,89)	CKSRYB153K50			
C 160	(A,122,89)	CEJQ100M16	C 760	(B,121,78)	CKSRYB474K10
C 161	(B,139,97)	CKSRYB153K50	C 761	(A,107,86)	CEJQR47M50
C 162	(A,116,95)	CEJQ470M10	C 762	(A,115,70)	CEJQ101M10
			C 851	(B,48,14)	CKSRYB104K16

<u>Circuit Symbol and No.</u>		<u>Part No.</u>	<u>Circuit Symbol and No.</u>		<u>Part No.</u>
C 901	(B,57,121)	CKSRYB104K50	L 401	(A,159,91) Inductor	LAU1R0K
C 911	(A,32,59)	CEJQ470M10	L 402	(B,159,96) Inductor	LCTAW220J2520
C 912	(B,25,75)	CKSRYB103K50	L 403	(A,158,54) Inductor	LAU1R0K
C 913	(A,25,68) 470 μ F/16V	CCH1331	L 602	(A,99,37) Inductor	LAU2R2K
C 921	(B,19,108)	CKSRYB103K50	L 701	(A,64,70) Ferri-Inductor	LAU100K
C 922	(A,20,104)	CEJQ221M10	L 852	(A,50,16) Inductor	LAU2R2K
C 923	(A,18,120)	CEJQ101M16	L 901	(A,39,107) Choke Coil 600 μ H	CTH1280
C 924	(B,19,116)	CKSRYB103K50	X 601	(A,76,38) Crystal Resonator 15.000MHz	CSS1653
C 961	(B,70,34)	CKSRYB473K25	S 801	(A,26,14) Switch(DSENS)	CSN1039
C 962	(A,67,39)	CEJQ100M16	Δ FU352	(B,163,117) Fuse 3A	CEK1286
			Δ FU353	(B,134,137) Fuse 3A	CEK1286
			Z 401	(A,166,99) FM/AM Tuner Unit	CWE1952
			Δ	Fuse 10A	CEK1208
			BZ601	(A,23,35) Buzzer	CPV1062
			AR401	(A,175,107) Surge Protector	DSP-201M-S00B

A**Unit Number : YWM5087(P4800MP)****Unit Name : Tuner Amp Unit****MISCELLANEOUS**

IC 101	(B,63,61) IC	HA12241FP
IC 151	(B,136,85) IC	PML015A
IC 301	(A,96,137) IC	PAL007B
IC 401	(B,153,28) IC	NJM2885DL1-33
IC 601	(B,88,57) IC	PEG155B
IC 751	(B,124,67) IC	NJM4558MD
IC 921	(A,10,124) IC	NJM2388F84
IC 961	(B,67,35) IC	BD4843G
Q 101	(B,42,99) Transistor	2SA1576
Q 102	(B,34,116) Transistor	DTC114EU
Q 351	(B,163,134) Transistor	UMH3N
Q 352	(B,141,124) Transistor	UMH3N
Q 353	(B,141,129) Transistor	UMH3N
Q 451	(B,124,116) Transistor	DTC124EU
Q 453	(B,124,122) Transistor	UMD2N
Q 701	(B,30,54) Transistor	UMD2N
Q 702	(A,9,71) Transistor	2SD2396
Q 801	(B,132,27) Transistor	DTC114EU
Q 802	(B,135,32) Transistor	2SA1576
Q 841	(B,129,33) Transistor	2SA1036K
Q 842	(B,125,35) Transistor	DTC114EU
Q 851	(B,41,17) Transistor	2SA1036K
Q 852	(B,51,12) Transistor	DTC114EU
Q 911	(A,9,106) Transistor	2SD2396
Q 912	(B,21,74) Transistor	UMD2N
Q 931	(B,64,92) Transistor	UMX1N
D 701	(A,25,57) Diode	HZS7L(C3)
D 801	(B,35,20) Diode	DAN202U
D 802	(B,39,23) Diode	DAP202U
D 803	(B,116,30) Diode	DAN202U
D 804	(B,115,26) Diode	DAP202U
D 805	(B,115,43) Diode	DAN202U
D 806	(B,110,44) Diode	DAP202U
D 901	(A,77,115) Diode	S5688G
D 902	(A,80,111) Diode	S5688G
D 903	(A,70,100) Diode	S5688G
D 904	(A,66,100) Diode	S5688G
D 911	(A,24,84) Diode	S5688G
D 912	(A,24,78) Diode	HZS6L(B2)
D 931	(A,60,95) Diode	HZS7L(C3)
D 932	(A,56,91) Diode	HZS7L(A1)
L 101	(A,54,73) Inductor	LAU2R2K
L 161	(A,116,85) Inductor	LAU2R2K

RESISTORS

R 101	(B,35,126)	RS1/16S181J
R 102	(B,36,104)	RS1/16S222J
R 103	(B,27,132)	RS1/16S181J
R 104	(B,38,139)	RS1/16S101J
R 105	(B,29,138)	RS1/16S101J
R 106	(B,33,125)	RS1/16S223J
R 107	(B,29,130)	RS1/16S223J
R 108	(B,30,129)	RS1/16S102J
R 109	(B,31,125)	RS1/16S102J
R 110	(B,38,100)	RS1/16S332J
R 111	(B,36,111)	RS1/16S562J
R 112	(A,69,70)	RD1/4PU102J
R 113	(B,71,57)	RS1/16S472J
R 114	(B,69,57)	RS1/16S472J
R 116	(B,32,140)	RS1/16S470J
R 117	(B,31,140)	RS1/16S150J
R 118	(B,59,66)	RS1/16S0R0J
R 151	(B,94,74)	RS1/16S102J
R 152	(B,94,76)	RS1/16S102J
R 153	(B,94,77)	RS1/16S102J
R 180	(B,119,98)	RS1/16S0R0J
R 301	(B,130,111)	RS1/16S471J
R 303	(B,129,111)	RS1/16S471J
R 304	(B,145,111)	RS1/16S471J
R 306	(B,147,111)	RS1/16S471J
R 309	(A,88,79)	RD1/4PU153J
R 351	(B,152,97)	RS1/16S821J
R 352	(B,159,133)	RS1/16S0R0J
R 353	(B,136,107)	RS1/16S821J
R 354	(B,138,107)	RS1/16S821J
R 355	(B,141,126)	RS1/16S821J
R 356	(B,137,103)	RS1/16S821J
R 358	(B,135,133)	RS1/16S821J
R 359	(B,146,133)	RS1/16S223J
R 360	(B,166,139)	RS1/16S223J
R 361	(B,162,114)	RS1/16S223J
R 362	(B,162,121)	RS1/16S223J
R 363	(B,138,133)	RS1/16S223J
R 364	(B,140,133)	RS1/16S223J
R 381	(B,137,129)	RS1/16S0R0J
R 382	(B,145,129)	RS1/16S0R0J
R 383	(B,147,127)	RS1/16S0R0J

Circuit Symbol and No.**Part No.****Circuit Symbol and No.****Part No.**

R 384	(B,145,123)	RS1/16S0R0J	R 803	(B,117,45)	RS1/16S473J
R 385	(B,148,123)	RS1/16S0R0J	R 804	(B,116,24)	RS1/16S222J
R 386	(B,166,136)	RS1/16S0R0J	R 805	(B,106,25)	RS1/16S222J
A					
R 401	(B,160,60)	RS1/16S681J	R 806	(A,91,16)	RD1/4PU222J
R 403	(B,160,78)	RS1/16S681J	R 807	(B,86,15)	RS1/16S222J
R 404	(B,160,81)	RS1/16S681J	R 809	(B,142,39)	RS1/16S222J
R 405	(B,160,83)	RS1/16S681J	R 811	(B,93,31)	RS1/16S473J
R 406	(B,160,85)	RS1/16S681J	R 812	(B,109,41)	RS1/16S473J
B					
R 407	(B,160,87)	RS1/16S0R0J	R 813	(B,111,28)	RS1/16S104J
R 414	(A,138,38)	RD1/4PU1R8J	R 814	(B,96,31)	RS1/16S102J
R 421	(B,157,77)	RS1/16S0R0J	R 815	(B,108,27)	RS1/16S102J
R 451	(B,125,113)	RS1/16S103J	R 816	(B,123,26)	RS1/16S1R0J
R 452	(B,125,125)	RS1/16S221J	R 817	(B,115,47)	RS1/16S473J
B					
R 453	(B,124,119)	RS1/16S153J	R 818	(B,62,40)	RS1/16S104J
R 454	(A,120,119)	RD1/4PU102J	R 819	(B,30,19)	RS1/16S102J
R 602	(B,72,41)	RS1/16S103J	R 820	(B,127,25)	RS1/16S391J
R 603	(B,94,80)	RS1/16S103J	R 821	(B,93,40)	RS1/16S222J
R 604	(B,100,63)	RS1/16S681J	R 822	(B,46,70)	RS1/16S102J
C					
R 605	(B,158,60)	RS1/16S681J	R 823	(B,46,71)	RS1/16S102J
R 606	(B,107,43)	RS1/16S103J	R 824	(B,115,50)	RS1/16S102J
R 607	(B,147,55)	RS1/16S681J	R 826	(B,121,25)	RS1/16S0R0J
R 608	(B,104,46)	RS1/16S473J	R 831	(B,137,28)	RS1/16S1R0J
R 609	(B,104,44)	RS1/16S104J	R 832	(B,133,32)	RS1/16S473J
C					
R 610	(B,104,54)	RS1/16S473J	R 833	(B,135,28)	RS1/16S103J
R 612	(B,101,74)	RS1/16S103J	R 841	(B,130,29)	RS1/16S103J
R 613	(B,100,76)	RS1/16S103J	R 842	(B,128,28)	RS1/16S222J
R 615	(B,70,64)	RS1/16S0R0J	R 851	(B,34,17)	RS1/16S153J
R 616	(B,61,36)	RS1/16S473J	R 852	(B,43,14)	RS1/16S153J
D					
R 618	(B,36,31)	RS1/16S102J	R 853	(B,119,17)	RS1/16S222J
R 620	(B,96,66)	RS1/16S0R0J	R 911	(B,21,71)	RS1/16S223J
R 621	(B,18,145)	RS1/16S102J	R 912	(A,24,81)	RD1/4PU152J
R 622	(B,16,142)	RS1/16S102J	R 922	(B,14,117)	RS1/16S473J
R 701	(A,20,54)	RD1/4PU271J	R 931	(B,63,56)	RS1/16S104J
D					
R 702	(A,20,61)	RD1/4PU121J	R 932	(B,57,57)	RS1/16S104J
R 703	(B,57,54)	RS1/16S682J	R 933	(B,64,94)	RS1/16S104J
R 704	(B,54,42)	RS1/16S682J	R 934	(B,64,96)	RS1/16S473J
R 705	(B,57,51)	RS1/16S682J	R 935	(B,60,91)	RS1/16S473J
R 706	(B,57,48)	RS1/16S682J	R 936	(B,64,97)	RS1/16S473J
D					
R 707	(B,45,52)	RS1/16S104J	R 937	(B,65,122)	RS1/16S473J
R 708	(B,57,47)	RS1/16S221J	R 938	(B,63,127)	RS1/4SA102J
R 709	(B,48,47)	RS1/16S221J	R 961	(B,73,35)	RS1/16S102J
R 710	(B,57,50)	RS1/16S221J	R 962	(B,64,38)	RS1/16S822J
R 711	(B,52,42)	RS1/16S221J	CAPACITORS		
E					
R 712	(B,57,53)	RS1/16S221J	C 101	(B,29,142)	CKSRYB104K16
R 713	(B,61,34)	RS1/16S102J	C 104	(B,52,69)	CKSRYB103K50
R 715	(B,45,56)	RS1/16S0R0J	C 151	(B,146,82)	CKSRYB105K10
R 751	(B,118,64)	RS1/16S103J	C 152	(B,146,80)	CKSRYB105K10
R 752	(B,118,69)	RS1/16S103J	C 153	(B,163,71)	CKSRYB224K16
E					
R 753	(B,113,74)	RS1/16S103J	C 154	(B,133,67)	CKSRYB474K10
R 754	(B,122,72)	RS1/16S103J	C 155	(B,160,69)	CKSRYB224K16
R 755	(B,116,74)	RS1/16S103J	C 156	(B,126,79)	CKSRYB474K10
R 756	(B,129,67)	RS1/16S103J	C 157	(B,126,80)	CKSRYB105K10
R 757	(B,116,75)	RS1/16S103J	C 158	(B,126,82)	CKSRYB105K10
F					
R 758	(B,110,75)	RS1/16S103J	C 159	(B,126,89)	CKSRYB153K50
R 759	(B,113,75)	RS1/16S103J	C 160	(A,122,89)	CEJQ100M16
R 760	(B,123,79)	RS1/16S103J	C 161	(B,139,97)	CKSRYB153K50
R 761	(B,126,62)	RS1/16S0R0J	C 162	(A,116,95)	CEJQ470M10
R 762	(B,119,78)	RS1/16S0R0J	C 163	(B,125,87)	CKSRYB104K25
F					
R 801	(B,115,48)	RS1/16S473J			
R 802	(B,136,35)	RS1/16S222J			

<u>Circuit Symbol and No.</u>		<u>Part No.</u>
C 165	(A,136,97)	CEJQ100M16
C 305	(A,128,119)	CFTNA224J50
C 306	(A,143,119)	CFTNA224J50
C 307	(A,133,119)	CFTNA224J50
C 308	(A,138,119)	CFTNA224J50
C 309	(B,127,146)	CKSQYB225K10
C 310	(B,132,137)	CKSQYB225K10
C 311	(A,107,128)	CEJQ100M16
C 313	(A,54,125) 3300 μ F/16V	CCH1494
C 351	(A,129,96)	CEJQ2R2M50
C 352	(A,142,96)	CEJQ2R2M50
C 353	(A,134,104)	CEJQ2R2M50
C 354	(A,142,104)	CEJQ2R2M50
C 355	(A,127,104)	CEJQ2R2M50
C 356	(A,148,104)	CEJQ2R2M50
C 357	(B,147,133)	CKSRYB222K50
C 358	(B,164,139)	CKSRYB222K50
C 401	(A,152,53)	CEJQ470M6R3
C 402	(B,155,51)	CKSRYB103K50
C 403	(B,151,34)	CKSRYB103K50
C 405	(A,154,87)	CEJQ101M10
C 406	(B,170,91)	CKSRYB104K25
C 407	(B,166,66)	CKSRYB103K50
C 408	(A,142,32)	CEJQ220M16
C 410	(B,141,28)	CKSRYB474K10
C 411	(B,170,90)	CCSRCH470J50
C 451	(A,124,127)	CEJQ330M10
C 601	(B,76,43)	CCSRCH180J50
C 602	(B,81,43)	CCSRCH200J50
C 604	(B,97,42)	CKSRYB104K16
C 605	(A,100,42)	CEJQ100M16
C 606	(B,74,32)	CKSRYB104K16
C 607	(A,76,30)	CEJQ100M16
C 609	(B,147,52)	CCSRCH470J50
C 701	(B,31,51)	CKSRYB473K25
C 703	(A,34,35) 470 μ F/16V	CCH1331
C 704	(B,145,77)	CKSRYB105K10
C 705	(B,134,70)	CKSRYB105K10
C 751	(B,116,64)	CCSRCH101J50
C 752	(B,113,69)	CKSRYB105K10
C 753	(B,113,72)	CCSRCH101J50
C 754	(B,116,72)	CCSRCH101J50
C 755	(B,131,67)	CCSRCH101J50
C 756	(B,122,71)	CKSRYB105K10
C 757	(B,116,77)	CKSRYB474K10
C 758	(B,107,81)	CKSRYB474K10
C 759	(B,113,76)	CKSRYB474K10
C 760	(B,121,78)	CKSRYB474K10
C 761	(A,107,86)	CEJQR47M50
C 762	(A,115,70)	CEJQ101M10
C 851	(B,48,14)	CKSRYB104K16
C 901	(B,57,121)	CKSRYB104K50
C 911	(A,32,59)	CEJQ470M10
C 912	(B,25,75)	CKSRYB103K50
C 913	(A,25,68) 470 μ F/16V	CCH1331
C 921	(B,19,108)	CKSRYB103K50
C 922	(A,20,104)	CEJQ221M10
C 923	(A,18,120)	CEJQ101M16
C 924	(B,19,116)	CKSRYB103K50
C 961	(B,70,34)	CKSRYB473K25

Circuit Symbol and No.Part No.

C 962 (A,67,39) CEJQ100M16

B**Unit Number :****Unit Name : Keyboard Unit**MISCELLANEOUS

IC 1801	(B,27,108) IC	PD6538A
IC 1802	(A,39,79) IC	TSOP4840SB1
D 1801	(B,40,128) Diode	DAN202U
D 1802	(B,40,121) Diode	DAP202U
D 1804	(A,24,67) LED	NESW505C-5273
D 1805	(A,18,14) LED	SML-310PT
D 1806	(A,23,20) LED	SML-310PT
D 1807	(A,29,15) LED	SML-310PT
D 1808	(A,38,26) LED	SML-310PT
D 1809	(A,38,20) LED	SML-310PT
D 1810	(A,24,8) LED	SML-310PT
D 1811	(A,39,104) LED	SML-310PT
D 1812	(A,39,93) LED	SML-310PT
D 1813	(A,24,56) LED	SML-310PT
D 1814	(A,39,137) LED	SML-310PT
D 1815	(A,39,126) LED	SML-310PT
D 1816	(A,39,115) LED	SML-310PT
D 1817	(A,8,67) LED	SML-310PT
D 1818	(A,39,67) LED	SML-310PT
D 1819	(A,7,8) LED	SML-310PT
D 1820	(A,7,18) LED	SML-310PT
D 1821	(A,7,29) LED	SML-310PT
D 1822	(A,8,159) LED	SML-310PT
D 1823	(A,39,147) LED	SML-310PT
D 1824	(A,14,46) LED	SML-310PT
D 1825	(A,33,46) LED	SML-310PT
D 1826	(A,24,37) LED	SML-310PT
X 1801	(B,40,111) Ceramic Resonator 5.00MHz	CSS1547
S 1801	(A,40,97) Push Switch	CSG1155
S 1803	(A,32,14) Push Switch	CSG1155
S 1804	(A,40,108) Push Switch	CSG1155
S 1805	(A,40,73) Push Switch	CSG1155
S 1806	(A,37,29) Push Switch	CSG1155
S 1807	(A,24,5) Push Switch	CSG1155
S 1808	(A,40,119) Push Switch	CSG1155
S 1809	(A,10,8) Push Switch	CSG1155
S 1810	(A,16,14) Push Switch	CSG1155
S 1811	(A,40,130) Push Switch	CSG1155
S 1812	(A,10,29) Push Switch	CSG1155
S 1813	(A,24,23) Push Switch	CSG1155
S 1814	(A,10,18) Push Switch	CSG1155
S 1815	(A,40,140) Push Switch	CSG1155
S 1816	(A,8,73) Push Switch	CSG1155
S 1817	(A,37,17) Push Switch	CSG1155
S 1818	(A,40,151) Push Switch	CSG1155
S 1827	(A,24,46) Encoder	YSD5007
LCD1801	(A,12,69) LCD	YAW5051

RESISTORS

R 1801	(B,39,134)	RS1/16S222J
R 1802	(B,41,134)	RS1/16S222J
R 1803	(B,10,29)	RS1/4SA561J

Circuit Symbol and No.**Part No.****Circuit Symbol and No.****Part No.**

R 1804	(B,38,26)	RS1/4SA471J
R 1805	(B,38,22)	RS1/4SA471J
R 1806	(B,38,30)	RS1/4SA681J
R 1807	(B,19,160)	RS1/4SA471J
R 1808	(B,10,21)	RS1/4SA471J
R 1822	(B,10,17)	RS1/4SA471J
R 1823	(B,19,157)	RS1/4SA681J
R 1831	(B,11,56)	RS1/16S472J
R 1832	(B,11,54)	RS1/16S472J
R 1833	(B,39,106)	RS1/16S2R2J
R 1835	(B,37,62)	RS1/16S121J
R 1838	(B,10,25)	RS1/4SA471J

R 221	(A,44,81)	RS1/16SS103J
R 222	(A,45,81)	RS1/16SS103J
R 225	(B,52,78)	RS1/16SS103J
R 226	(B,52,77)	RS1/16SS393J
R 227	(A,44,75)	RS1/16SS562J
R 228	(A,46,72)	RS1/16SS122J
R 229	(A,44,72)	RS1/16SS472J
R 232	(A,46,75)	RS1/16SS122J
R 241	(B,26,63)	RS1/16SS333J
R 243	(B,26,62)	RS1/16SS333J
R 245	(B,26,69)	RS1/16SS333J
R 248	(B,55,74)	RS1/16SS105J
R 307	(A,19,20)	RS1/16SS183J
R 308	(A,17,20)	RS1/16SS183J
R 309	(A,18,18)	RS1/16SS183J
R 310	(A,17,16)	RS1/16SS183J
R 601	(B,30,47)	RS1/16S101J
R 602	(B,28,50)	RS1/16S101J
R 606	(B,20,54)	RS1/16S0R0J
R 701	(B,26,44)	RS1/16SS221J
R 707	(B,32,45)	RS1/16SS473J

R 709	(A,36,35)	RS1/16SS222J
R 710	(B,41,46)	RS1/16SS102J
R 712	(A,45,57)	RS1/16SS222J
R 713	(B,40,57)	RS1/16SS222J
R 716	(B,29,37)	RS1/16SS472J
R 724	(B,31,36)	RS1/16S473J
R 726	(B,23,47)	RS1/16SS103J
R 727	(B,31,42)	RS1/16SS473J
R 729	(B,20,48)	RS1/16SS223J
R 730	(B,20,46)	RS1/16SS473J
R 740	(A,38,59)	RS1/16SS222J
R 746	(A,13,38)	RS1/16SS104J
R 750	(A,40,66)	RS1/16SS473J
R 902	(A,20,36)	RS1/16SS221J
R 905	(A,21,36)	RS1/16SS221J

R 906	(B,20,36)	RS1/16SS221J
R 907	(B,16,62)	RS1/16SS0R0J
R 908	(B,16,64)	RS1/16SS0R0J
R 911	(B,20,32)	RS1/16SS0R0J

CAPACITORS

C 103	(B,57,83)	CEVW101M16
C 108	(A,47,66)	CKSSYB104K10
C 201	(B,46,56)	CKSSYB102K50
C 202	(B,47,58)	CKSSYB104K10
C 204	(B,35,48)	CEVW220M6R3
C 205	(A,34,63)	CKSSYB104K10
C 208	(B,34,54)	CKSSYB104K10
C 209	(B,31,57)	CKSSYB104K10
C 210	(A,31,66)	CKSRYB105K10
C 216	(B,53,77)	CKSSYB332K50
C 217	(B,52,79)	CKSSYB104K10
C 218	(B,52,76)	CKSSYB473K10
C 219	(B,52,74)	CKSSYB104K10
C 220	(A,46,77)	CKSSYB182K50
C 221	(B,51,74)	CKSSYB104K10
C 222	(A,46,73)	CCSSCH560J50
C 223	(A,44,74)	CCSSCH4R0C50

CAPACITORS

C 1801	(B,37,60)	CKSRYB474K10
C 1802	(B,39,115)	CKSRYF104Z25
C 1803	(B,39,117)	CKSRYF104Z25
C 1804	(B,39,118)	CKSRYF104Z25

D

Unit Number: YWM5099
Unit Name : Panel Unit

MISCELLANEOUS

D 1901	LED	CL220PGC
S 1901	Push Switch(EJECT)	CSG1174
R 1903		RS1/16S101J
R 1904		RS1/16S101J

C

Unit Number: CWX3176
Unit Name : CD Core
Unit(S10.5COMP1)

MISCELLANEOUS

IC 201	(B,39,70) IC	UPD63763CGJ
IC 203	(A,12,16) IC	NJM2886DL3-33
IC 301	(A,28,18) IC	BA5835FP
IC 701	(A,32,48) IC	PE5505A
Q 101	(B,60,89) Transistor	2SA1577

Q 701	(B,24,41) Transistor	UN2111
X 201	(B,28,57) Ceramic Resonator 16.934MHz	CSS1603
X 701	(A,24,37) Ceramic Resonator 4.000MHz	CSS1652
S 901	(A,57,57) Switch(HOME)	CSN1067
S 903	(B,23,78) Switch(DSCSNS)	CSN1067

S 904	(B,42,87) Switch(12EJ)	CSN1068
S 905	(B,28,88) Switch(8EJ)	CSN1068

RESISTORS

R 101	(B,61,92)	RS1/10SR2R4J
R 102	(B,63,92)	RS1/10SR2R4J
R 103	(B,63,89)	RS1/10SR2R7J
R 104	(A,52,73)	RS1/16SS102J
R 201	(B,44,57)	RS1/16SS102J

R 202	(A,38,62)	RS1/16SS473J
R 203	(A,37,62)	RS1/16SS473J
R 214	(A,46,79)	RS1/16SS472J
R 216	(A,46,81)	RS1/16SS472J

<u>Circuit Symbol and No.</u>		<u>Part No.</u>
C 224	(B,52,68)	CKSSYB104K10
C 225	(A,47,67)	CKSSYB103K16
C 226	(A,49,67)	CCSSCH680J50
C 227	(A,48,65)	CCSSCH470J50
C 228	(A,46,62)	CKSSYB103K16
C 232	(A,12,31)	CKSRYB105K10
C 237	(A,31,67)	CKSSYB104K10
C 239	(A,46,74)	CCSSCH220J50
C 246	(A,42,80)	CKSSYB104K10
C 250	(A,42,81)	CKSRYB102K50
C 251	(A,41,83)	CKSRYB102K50
C 303	(A,18,20)	CKSSYB472K25
C 304	(A,17,17)	CKSSYB103K16
C 307	(A,34,15)	CKSSYB104K10
C 308	(A,17,30)	CKSRYB105K10
C 601	(B,25,50)	CCSRCH102J50
C 602	(B,26,51)	CCSRCH102J50
C 701	(B,25,47)	CKSSYB104K10
C 703	(B,28,42)	CKSSYB103K16
C 706	(B,34,43)	CKSSYB104K10
C 707	(A,36,57)	CKSSYB104K10
C 714	(A,24,41)	CKSSYB104K10
C 722	(B,29,45)	CKSQYB475K6R3
C 903	(B,14,54)	CKSSYB471K50
C 907	(B,14,62)	CKSSYB103K16

Miscellaneous Parts List

M 1	Pickup Unit(P10.5)(Service)	CXX1942
M 2	Motor Unit(SPINDLE)	CXC6742
M 2	Motor Unit(LOADING/CARRIAGE)	CXC4026