

EXPLODED VIEWS AND PARTS LIST

- NOTES :**
- Parts marked by "*" are generally unavailable because they are not in our Master Spare Parts List.
 - The \triangle mark found on some component parts indicates the importance of the safety factor of the part. Therefore, when replacing, be sure to use parts of identical designation.
 - Screw adjacent to ∇ mark on the product are used for disassembly.
 - For the applying amount of lubricants or glue, follow the instructions in this manual.
(In the case of no amount instructions, apply as you think it appropriate.)

PACKING (Page 48)

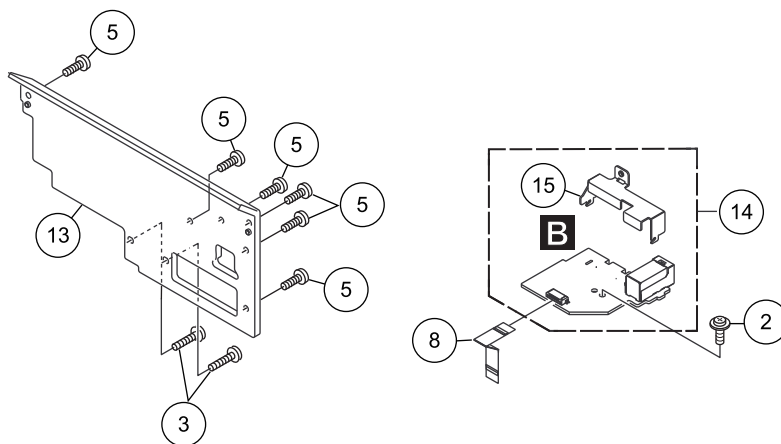
PACKING SECTION PARTS LIST

Mark	No.	Description	DEH-8018ZT/XUUC	DEH-8918ZT/XUUC
	4-2	Owner's Manual	CRB3644	CRD4579 (English, Spanish(Espanol))
	7	Contain Box	CHL7521	CHL7576
	11	MBL CMPX CONN-Cord Assy	CDP1420	Not used
	12	MBL CMPX CONN-Cord Assy	CDP1421	Not used
	13	MBL CMPX CONN-Cord Assy	CDP1422	Not used

EXTERIOR (2) (Page 52)

EXTERIOR (2) SECTION PARTS LIST

Mark	No.	Description	DEH-8018ZT/XUUC	DEH-8918ZT/XUUC
	9	FFC/FPC Connector	CDE9355	Not used
	13	Heat Sink	CND5906	CND6107
	14	Sub Assy	CWN5553	CWN5844(Sub Unit)
	16	Main Unit	CWN6077	CWN5840
	34	Sub Label Unit	CEC5850	CEC6363



1 2 3 4

EXTERIOR (1) (Page 50)

A

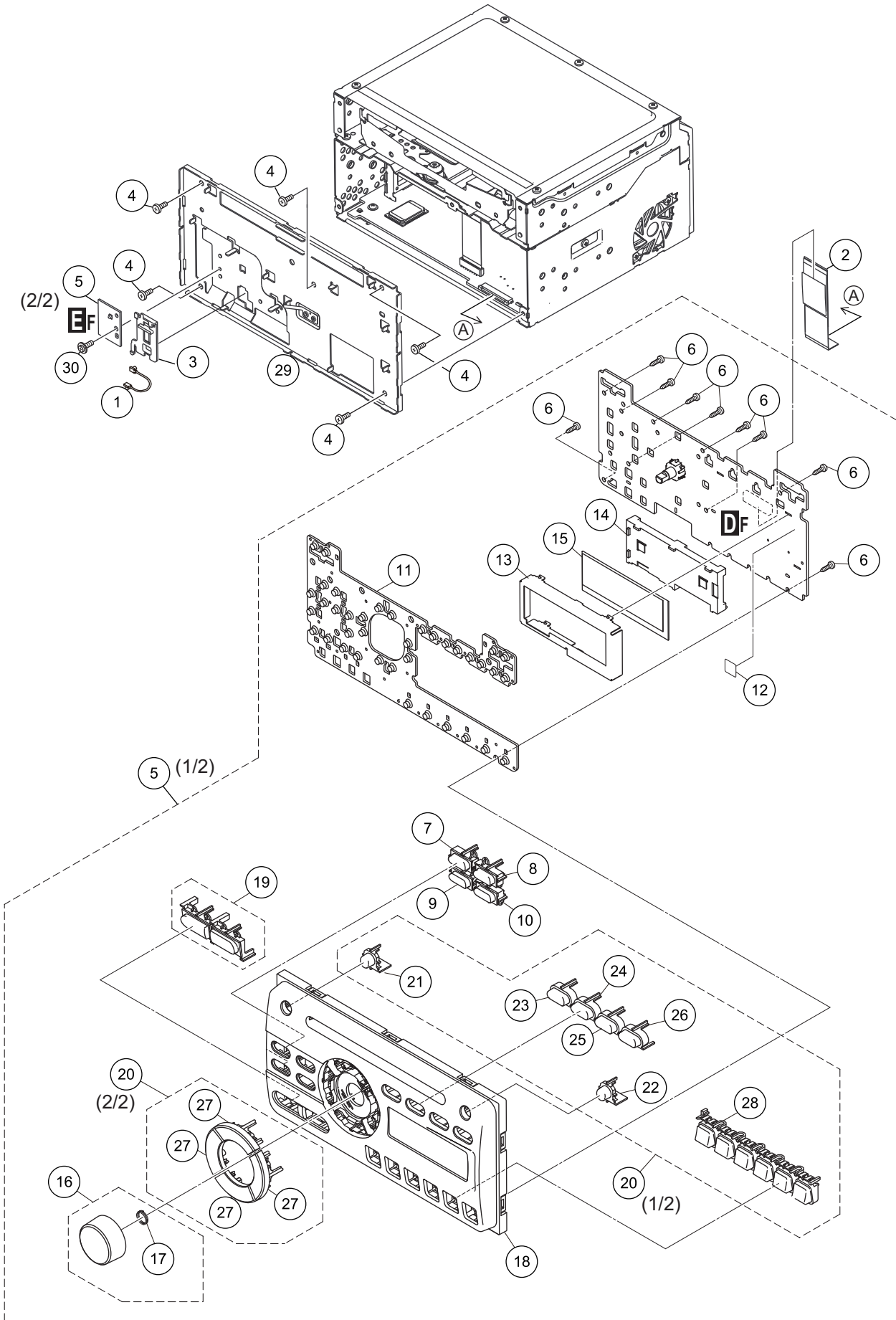
B

C

D

E

F



EXTERIOR (1) SECTION PARTS LIST

<u>Mark No.</u>	<u>Description</u>	<u>Part No.</u>	
1	Cord Assy	CDE8525	
2	FFC/FPC Connector	CDE9352	A
3	Holder	CNW1386	
4	Screw	BSZ26P050FTC	
5	Panel Assy	CPN4047	
6	Screw	BPZ20P080FTC	
7	Button(DISC)	CAI3434	
8	Button(FM, 1/2)	CAI3435	
9	Button(AUX, USB)	CAI3436	
10	Button(AM, SAT)	CAI3437	
11	Contact Rubber	CNW2180	B
12	Sub Label Unit	CEC6364	
13	Holder	CND5883	
14	Holder Unit	CXE4370	
15	OEL Module (V1500)	MXS4020	
16	Knob Unit	CXE4236	
17	Spring	YBL5010	
18	Grille Unit	CXE4239	
19	Button Unit(CALL, END)	CXE4307	
* 20	Service Button Unit	CXX3526	C
21	Service Button(EJECT)	CXX3527	
22	Service Button(POWER)	CXX3528	
23	Service Button(RETURN)	CXX3529	
24	Service Button(LIST)	CXX3530	
25	Service Button(SCAN)	CXX3531	
26	Service Button(TEXT)	CXX3532	
27	Service Button(UP, DOWN, LEFT, RIGHT)	CXX3533	
28	Service Button(1-6)	CXX3534	
29	Frame Unit	CXE3852	D
30	Screw	ASZ26P060FTC	

ELECTRICAL PARTS LIST(Page 95)

MAIN UNIT

Circuit Symbol and No.	Part Name	DEH-8018ZT/XUUC	DEH-8918ZT/XUUC
IC201	IC	AK4388VT	Not used
Q201		RN4982	Not used
D201	Diode	1SS352	Not used
D202	Diode	1SS352	Not used
D203	Diode	1SS352	Not used
L201	Chip Coil	LCTAW4R7J2520	Not used
CN2702	Connector	CKS3847	Not used
R201		RS1/10SR222J	Not used
R202		RS1/10SR0R0J	Not used
R203		RS1/16SS473J	Not used
R206		RS1/16SS473J	Not used
R207		RS1/16SS473J	Not used
R631		RS1/16SS101J	Not used
R2710		RS1/16SS101J	Not used
C201		CEVQW101M10	Not used
C202		CKSRYB104K16	Not used
C203		CEVW100M16	Not used
C204		CKSRYB682K50	Not used
C206	Capacitor	CEVW220M16	Not used

SUB ASSY(SUB Unit)

Circuit Symbol and No.	Part Name	DEH-8018ZT/XUUC (SUB ASSY)	DEH-8918ZT/XUUC (SUB UNIT)
IC300	IC	NJM4580MD	Not used
Q300	Transistor	IMH23	Not used
P300	Fuse	CEK1286	Not used
CN301		VKN1298	Not used
JA301	Pin Jack	CKS3144	Not used
R300		RS1/10SR472J	Not used
R301		RS1/10SR472J	Not used
R310		RS1/10SR391J	Not used
R311		RS1/10SR391J	Not used
R315		RS1/10SR223J	Not used
R316		RS1/8SQ471J	Not used
R320		RS1/16SS181J	Not used
R321		RS1/16SS103J	Not used
R322		RS1/16SS392J	Not used
C300	Capacitor	CEHVW100M25	Not used
C301		CEVW470M6R3	Not used
C302		CKSRYB104K16	Not used
C303	Capacitor	CEHVW220M16	Not used
C305		CKSRYB104K16	Not used
C306		CKSSYB102K50	Not used

Circuit Symbol and No.	Part Name	DEH-8018ZT/XUUC (SUB ASSY)	DEH-8918ZT/XUUC (SUB UNIT)
C311	CEVW100M16	Not used	Not used
C312	CKSRYB102K50	Not used	Not used
C313	CKSQYB222K50	Not used	Not used
C320	CKSSYB681K50	Not used	Not used

The mounting positions of the additional parts are described in the circuit diagram and PCB diagram of the parent manual.

ELECTRICAL PARTS LIST

NOTE:

- Parts whose parts numbers are omitted are subject to being not supplied.
- The part numbers shown below indicate chip components.

Chip Resistor

RS1/○S○○○○J,RS1/○○S○○○○J

Chip Capacitor (except for CQS.....)

CKS....., CCS....., CSZS.....

- The \triangle mark found on some component parts indicates the importance of the safety factor of the part. Therefore, when replacing, be sure to use parts of identical designation.
- Meaning of the figures and others in the parentheses in the parts list.

Example) IC 301 is on the point (face A, 91 of x-axis, and 111 of y-axis) of the corresponding PC board.

IC 301 (A, 91, 111) IC NJM2068V

<u>Circuit Symbol and No.</u>	<u>Part No.</u>	<u>Circuit Symbol and No.</u>	<u>Part No.</u>
Keyboard Unit			
Consists of			
Keyboard PCB			
BT ANT PCB			
DF EF			
Unit Number : CWN5842			
Unit Name : Keyboard Unit			
MISCELLANEOUS			
IC 1500 (B,141,16) IC	XC9105D091MR-G	D 1527 (A,37,57) LED	SML-311DT(JK)
IC 1501 (B,120,49) IC	PE5789A8	D 1528 (A,14,57) LED	SML-311DT(JK)
Q 1500 (B,141,23) DCDC	RSR025N03	D 1529 (A,168,90) LED	SML-311DT(JK)
Q 1501 (B,134,56) Transistor	ISA1602AM1	D 1530 (A,182,90) LED	SML-311DT(JK)
Q 1502 (B,140,37) Transistor	2SA1577	D 1531 (A,182,74) LED	SML-311DT(JK)
Q 1504 (B,135,37) Transistor	2SC4154-11	D 1532 (A,160,74) LED	SML-311DT(JK)
D 1500 (B,104,54) Diode	1SS352	D 1533 (A,133,15) LED	SML-311DT(JK)
D 1501 (B,104,56) Diode	1SS352	D 1534 (A,115,15) LED	SML-311DT(JK)
D 1502 (B,104,58) Diode	1SS352	D 1535 (A,97,15) LED	SML-311DT(JK)
D 1503 (B,104,59) Diode	1SS352	D 1539 (A,186,15) LED	SML-311DT(JK)
D 1504 (B,163,10) Diode	1SS352	D 1540 (A,168,15) LED	SML-311DT(JK)
D 1505 (B,176,12) Diode	1SS352	D 1541 (A,150,15) LED	SML-311DT(JK)
D 1506 (B,146,12) Diode	UDZS16(B)	D 1542 (A,38,16) LED	SML-311DT(JK)
D 1507 (B,137,15) Diode	UDZS5R1(B)	D 1543 (A,49,16) LED	SML-311DT(JK)
D 1508 (B,147,22) Diode	RB160M-30	D 1554 (B,101,11) Diode	1SS352
D 1509 (B,154,20) Diode	UDZS3R9(B)	D 1555 (B,109,10) Diode	1SS352
D 1510 (A,31,90) LED	SML-311DT(JK)	D 1556 (B,89,48) Diode	1SS352
D 1511 (A,16,90) LED	SML-311DT(JK)	D 1559 (A,70,43) LED	SML-311DT(JK)
D 1514 (A,55,50) LED	SML-311DT(JK)	D 1560 (A,83,57) LED	SML-311DT(JK)
D 1515 (A,76,29) LED	SML-311DT(JK)	L 1500 (B,129,24) Chip Coil	ATH1167
D 1518 (A,76,71) LED	SML-311DT(JK)	L 1501 (B,136,22) Choke Coil 56 uH	CTH1470
D 1519 (A,98,50) LED	SML-311DT(JK)	L 1502 (B,128,60) Inductor	CTF1473
D 1520 (A,22,16) LED	SML-311DT(JK)	TH1500 (B,146,14) Thermistor	CCX1089
D 1521 (A,12,16) LED	SML-311DT(JK)	X 1500 (B,120,39) Oscillator 20.000 MHz	CSS1747
D 1522 (A,116,74) LED	SML-311DT(JK)	S 1534 (A,76,50) Encoder	CSD1168
D 1523 (A,138,74) LED	SML-311DT(JK)	CN1501 (B,154,58) Connector	CKS6238
D 1524 (A,37,43) LED	SML-311DT(JK)	CN1502 (B,185,52) Connector	CKS5561
D 1525 (A,14,43) LED	SML-311DT(JK)	JA1500 (A,13,20) Connector	CKS5058
		V 1500 (A,169,32) OEL Module	MXS4020
		RESISTORS	
		R 1500 (B,145,15)	RS1/16SS683J
		R 1501 (B,144,14)	RS1/16SS5601F
		R 1502 (B,144,16)	RS1/16SS621J
		R 1503 (B,147,15)	RS1/16SS303J
		R 1504 (B,170,44)	RS1/16SS102J
		R 1505 (B,135,13)	RS1/16SS751J
		R 1506 (B,141,14)	RS1/16SS104J
		R 1507 (B,137,49)	RS1/16SS101J
		R 1508 (B,119,57)	RS1/16SS221J
		R 1511 (B,125,60)	RS1/16SS221J

	1		2		3		4		
	<u>Circuit Symbol and No.</u>		<u>Part No.</u>		<u>Circuit Symbol and No.</u>		<u>Part No.</u>		
A	R 1512	(B,170,48)	RS1/16SS101J	R 1578	(B,114,72)	RS1/10SR102J			
	R 1513	(B,178,45)	RS1/16SS203J	R 1579	(B,34,43)	RS1/16S271J			
	R 1514	(B,107,47)	RS1/16SS473J	R 1580	(B,37,43)	RS1/10SR182J			
	R 1515	(B,107,44)	RS1/16SS473J	R 1581	(B,34,57)	RS1/16S271J			
	R 1516	(B,179,45)	RS1/16SS223J	R 1582	(B,36,57)	RS1/10SR182J			
B	R 1517	(B,107,43)	RS1/16SS473J	R 1583	(B,167,84)	RS1/10SR121J			
	R 1518	(B,120,60)	RS1/16SS332J	R 1584	(B,167,87)	RS1/10SR152J			
	R 1519	(B,120,61)	RS1/16SS332J	R 1585	(B,184,70)	RS1/10SR561J			
	R 1520	(B,107,41)	RS1/16SS473J	R 1586	(B,184,72)	RS1/10SR681J			
	R 1521	(B,111,42)	RS1/16SS102J	R 1587	(B,126,20)	RS1/10SR221J			
C	R 1522	(B,111,43)	RS1/16SS102J	R 1588	(B,126,17)	RS1/10SR821J			
	R 1523	(B,111,45)	RS1/16SS102J	R 1591	(B,183,18)	RS1/10SR271J			
	R 1524	(B,111,46)	RS1/16SS102J	R 1592	(B,183,16)	RS1/10SR821J			
	R 1525	(B,111,48)	RS1/16SS102J	R 1596	(B,139,39)	RS1/16SS222J			
	R 1526	(B,111,49)	RS1/16SS102J	R 1597	(B,141,39)	RS1/16SS473J			
D	R 1527	(B,111,51)	RS1/16SS102J	R 1600	(B,133,38)	RS1/16SS473J			
	R 1528	(B,111,52)	RS1/16SS102J	R 1601	(B,133,36)	RS1/16SS103J			
	R 1529	(B,111,53)	RS1/16SS102J	R 1603	(B,157,20)	RS1/16SS222J			
	R 1530	(B,111,54)	RS1/16SS102J	R 1604	(B,122,38)	RS1/16SS473J			
	R 1531	(B,111,55)	RS1/16SS102J	R 1605	(B,123,38)	RS1/16SS473J			
E	R 1532	(B,142,20)	RS1/16SS511J	R 1606	(B,37,21)	RS1/16S271J			
	R 1533	(B,116,57)	RS1/16SS102J	R 1607	(B,37,18)	RS1/16S272J			
	R 1534	(B,117,57)	RS1/16SS102J	R 1613	(B,61,39)	RS1/16S271J			
	R 1536	(B,147,18)	CCN1186	R 1614	(B,61,42)	RS1/16S271J			
	R 1537	(B,123,60)	RS1/16SS473J						
F	R 1538	(B,122,60)	RS1/16SS473J	CAPACITORS					
	R 1539	(B,120,57)	RS1/16SS102J	C 1500	(B,129,18)	10 uF	CCG1236		
	R 1540	(B,120,41)	RS1/16SS0R0J	C 1501	(B,109,42)		CKSSYB102K50		
	R 1541	(B,121,57)	RS1/16SS102J	C 1502	(B,109,43)		CKSSYB102K50		
	R 1542	(B,122,57)	RS1/16SS221J	C 1503	(B,109,45)		CKSSYB102K50		
G	R 1544	(B,124,57)	RS1/16SS221J	C 1504	(B,170,45)		CKSSYB104K10		
	R 1545	(B,127,43)	RS1/16SS101J	C 1505	(B,109,46)		CKSSYB102K50		
	R 1546	(B,125,40)	RS1/16SS102J	C 1506	(B,138,14)		CKSRYB105K16		
	R 1547	(B,127,41)	RS1/16SS101J	C 1507	(B,109,48)		CKSSYB102K50		
	R 1548	(B,127,42)	RS1/16SS101J	C 1508	(B,109,49)		CKSSYB102K50		
H	R 1549	(B,156,20)	RS1/16SS5R1J	C 1509	(B,175,48)		CKSRYB104K50		
	R 1550	(B,129,47)	RS1/16SS102J	C 1510	(B,174,49)		CKSRYB104K50		
	R 1551	(B,129,48)	RS1/16SS102J	C 1511	(B,109,51)		CKSSYB102K50		
	R 1552	(B,129,49)	RS1/16SS102J	C 1512	(B,109,52)		CKSSYB102K50		
	R 1553	(B,129,52)	RS1/16SS102J	C 1513	(B,145,18)		CCSRCH120J50		
I	R 1554	(B,129,43)	RS1/16SS104J	C 1514	(B,109,53)		CKSSYB102K50		
	R 1555	(B,129,46)	RS1/16SS101J	C 1515	(B,109,54)		CKSSYB102K50		
	R 1556	(B,129,51)	RS1/16SS473J	C 1516	(B,172,48)		CKSRYB104K50		
	R 1557	(B,175,55)	RS1/16SS0R0J	C 1517	(B,114,41)		CKSSYB103K16		
	R 1558	(B,125,39)	RS1/16SS0R0J	C 1518	(B,114,40)		CKSSYB103K16		
J	R 1559	(B,129,50)	RS1/16SS473J	C 1519	(B,134,16)	10 uF	CCG1192		
	R 1560	(B,134,58)	RS1/16SS103J	C 1520	(B,116,40)		CKSRYB105K10		
	R 1561	(B,29,84)	RS1/10SR221J	C 1521	(B,134,14)	10 uF	CCG1192		
	R 1562	(B,29,87)	RS1/10SR222J	C 1522	(B,151,23)		CKSYB225K25		
	R 1563	(B,132,58)	RS1/16SS103J	C 1523	(B,151,21)		CKSYB225K25		
K	R 1566	(B,132,55)	RS1/16SS222J	C 1524	(B,125,38)		CKSSYB103K16		
	R 1567	(B,58,48)	RS1/10SR221J	C 1525	(B,151,18)		CKSYB225K25		
	R 1568	(B,58,51)	RS1/10SR122J	C 1526	(B,151,15)		CKSYB225K25		
	R 1569	(B,131,54)	RS1/16SS392J	C 1527	(B,126,57)		CKSSYB103K16		
	R 1572	(B,129,54)	RS1/16SS822J	C 1528	(B,131,46)		CCSSCH101J50		
L	R 1573	(B,76,68)	RS1/10SR221J	C 1529	(B,131,48)		CKSSYB103K16		
	R 1574	(B,76,70)	RS1/10SR122J	C 1530	(B,131,52)		CCSSCH102J50		
	R 1575	(B,20,21)	RS1/16S271J	C 1531	(B,131,50)		CCSSCH102J50		
	R 1576	(B,20,18)	RS1/16S272J	C 1532	(B,127,58)		CKSSYB104K16		
	R 1577	(B,111,72)	RS1/10SR181J						

5
Circuit Symbol and No.

6
Part No.

C 1533	(B,132,57)	CKSSYB102K50
C 1534	(B,130,56)	CKSRYB105K10
C 1535	(B,129,56)	CKSRYB105K10
C 1538	(B,132,38)	CKSSYB223K16
C 1540	(B,155,68)	CKSSYB103K16
C 1541	(B,155,69)	CKSSYB103K16
C 1545	(B,131,28)	CKSRYB104K50

A

B

C

D

E

F