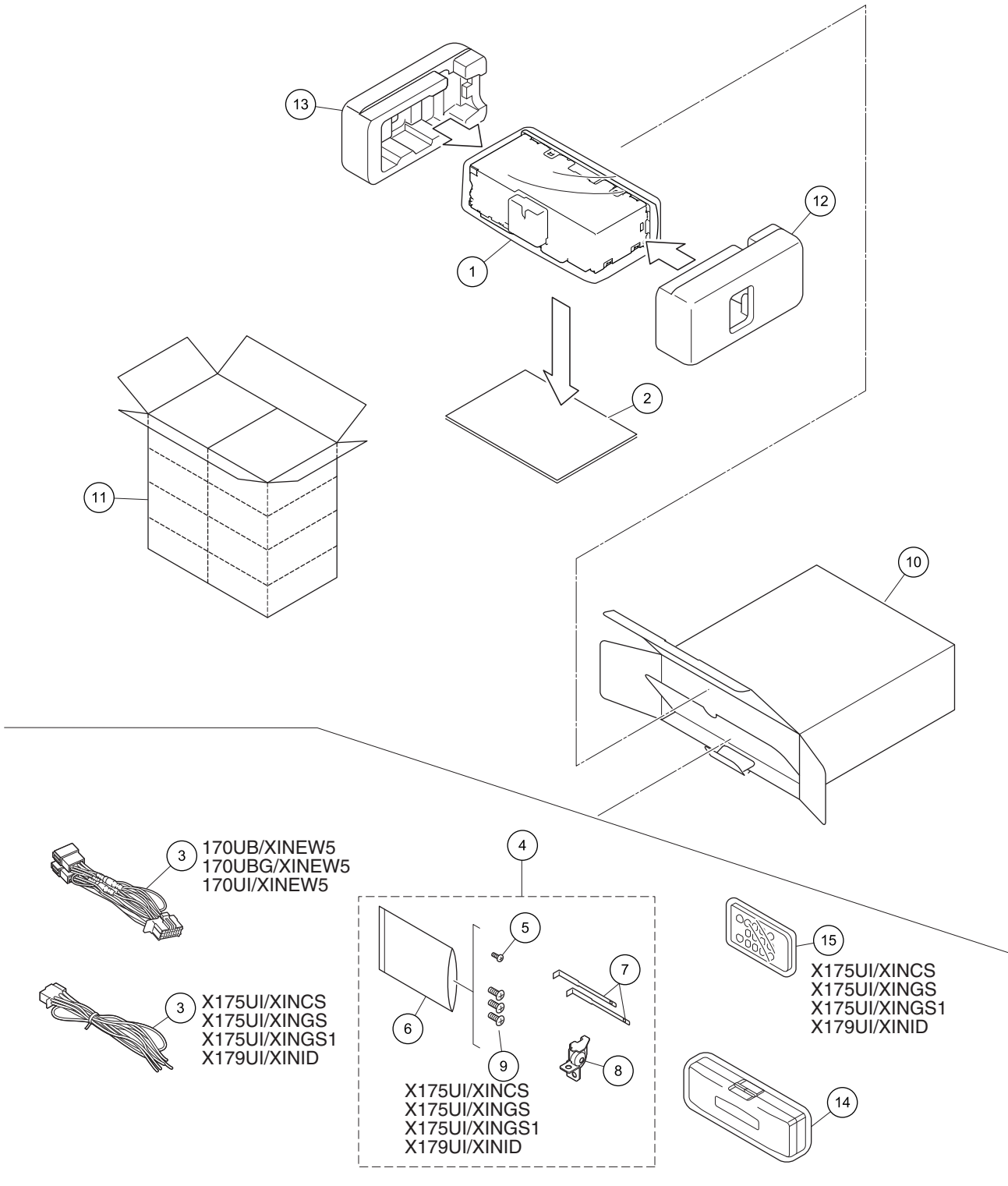


# 9. EXPLODED VIEWS AND PARTS LIST

- NOTES :
- Parts marked by "\*" are generally unavailable because they are not in our Master Spare Parts List.
  - The ⚠ mark found on some component parts indicates the importance of the safety factor of the part. Therefore, when replacing, be sure to use parts of identical designation.
  - Screw adjacent to ▽ mark on the product are used for disassembly.
  - For the applying amount of lubricants or glue, follow the instructions in this manual.  
(In the case of no amount instructions, apply as you think it appropriate.)

## 9.1 PACKING



**(1) PACKING SECTION PARTS LIST**

<u>Mark No.</u>	<u>Description</u>	<u>Part No.</u>	<u>Mark No.</u>	<u>Description</u>	<u>Part No.</u>
1	Polyethylene Bag	CEG1260	8	Bracket	QNC3086
* 2-1	Warranty Card	See Contrast table (2)	9	Screw	See Contrast table (2)
2-2	Owner's Manual	See Contrast table (2)	10	Unit Box	See Contrast table (2)
* 2-3	Service Network	See Contrast table (2)	11	Contain Box	See Contrast table (2)
3	Code Assy	See Contrast table (2)	12	Protector	QHP3037
* 4	Accessory Assy	See Contrast table (2)	13	Protector	QHP3038
5	Screw	BSZ26P060FTC	14	Case Assy	QXA3129
6	Polyethylene Bag	CEG1160	15	Card Remote Control Unit	See Contrast table (2)
7	Handle	QNC3021			

**(2) CONTRAST TABLE**

MVH-170UB/XINEW5, MVH-170UBG/XINEW5, MVH-170UI/XINEW5, MVH-X175UI/XINCS, MVH-X175UI/XINGS, MVH-X175UI/XINGS1, and MVH-X179UI/XINID are constructed the same except for the following:

Mark	No.	Description	MVH-170UB /XINEW5	MVH-170UBG /XINEW5	MVH-170UI /XINEW5	MVH-X175UI /XINCS	MVH-X175UI /XINGS
*	2-1	Warranty Card	CRY1376	CRY1376	CRY1376	Not used	Not used
	2-2	Owner's Manual	QRD3283	QRD3283	QRD3283	QRD3285	QRD3286
*	2-3	Service Network	Not used	Not used	Not used	Not used	Not used
	3	Code Assy	QDP3071	QDP3071	QDP3070	CDP1480	CDP1480
*	4	Accessory Assy	QEA3164	QEA3164	QEA3164	QEA3165	QEA3165
	9	Screw	Not used	Not used	Not used	TRZ50P080FTC	TRZ50P080FTC
	10	Unit Box	QHG3722	QHG3724	QHG3717	QHG3718	QHG3719
	11	Contain Box	QHL3722	QHL3724	QHL3717	QHL3718	QHL3719
	15	Card Remote Control Unit	Not used	Not used	Not used	QXE1047	QXE1047

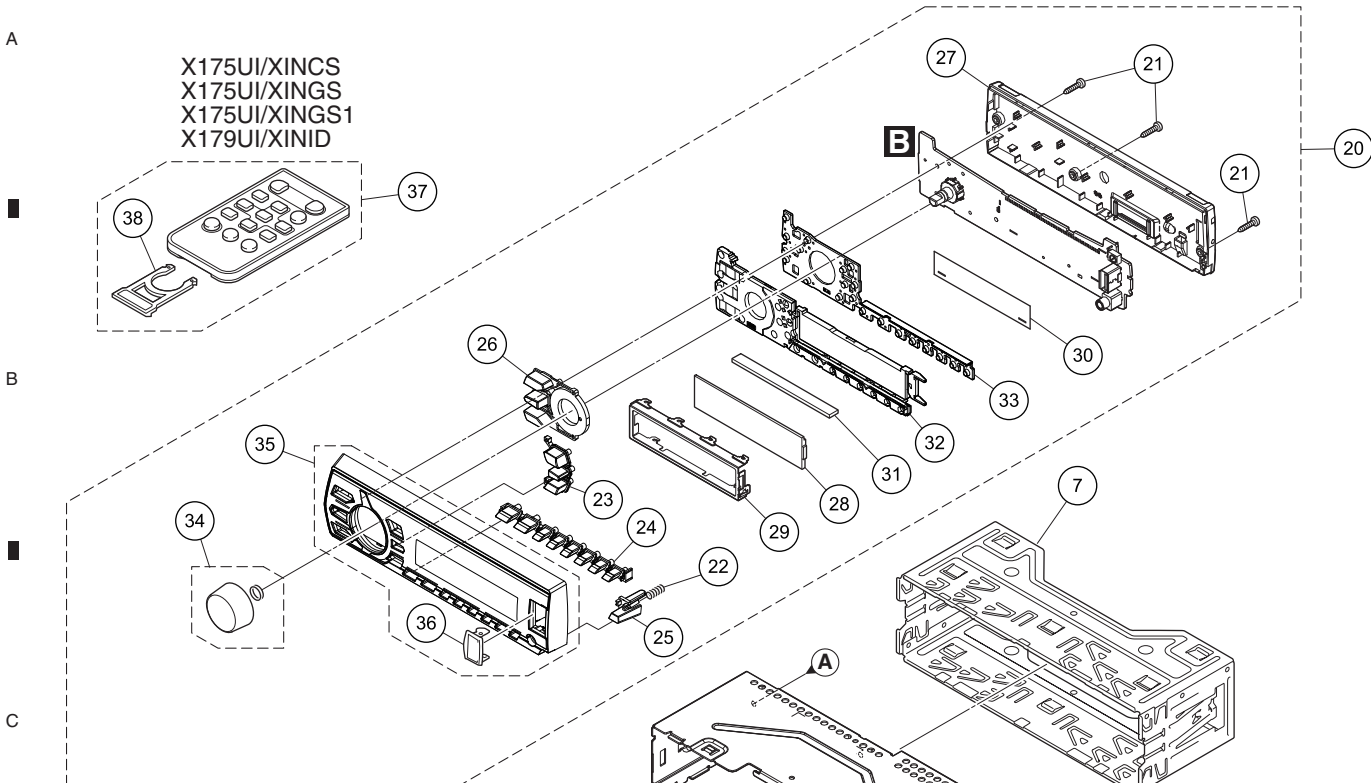
Mark	No.	Description	MVH-X175UI /XINGS1	MVH-X179UI /XINID
*	2-1	Warranty Card	CRY1394	CRY1304
	2-2	Owner's Manual	QRD3286	QRB3474
*	2-3	Service Network	CRY1395	CRY1305
	3	Code Assy	CDP1480	CDP1480
*	4	Accessory Assy	QEA3165	QEA3165
	9	Screw	TRZ50P080FTC	TRZ50P080FTC
	10	Unit Box	QHG3720	QHG3721
	11	Contain Box	QHL3720	QHL3721
	15	Card Remote Control Unit	QXE1047	QXE1047

**Owner's Manual, Installation Manual**

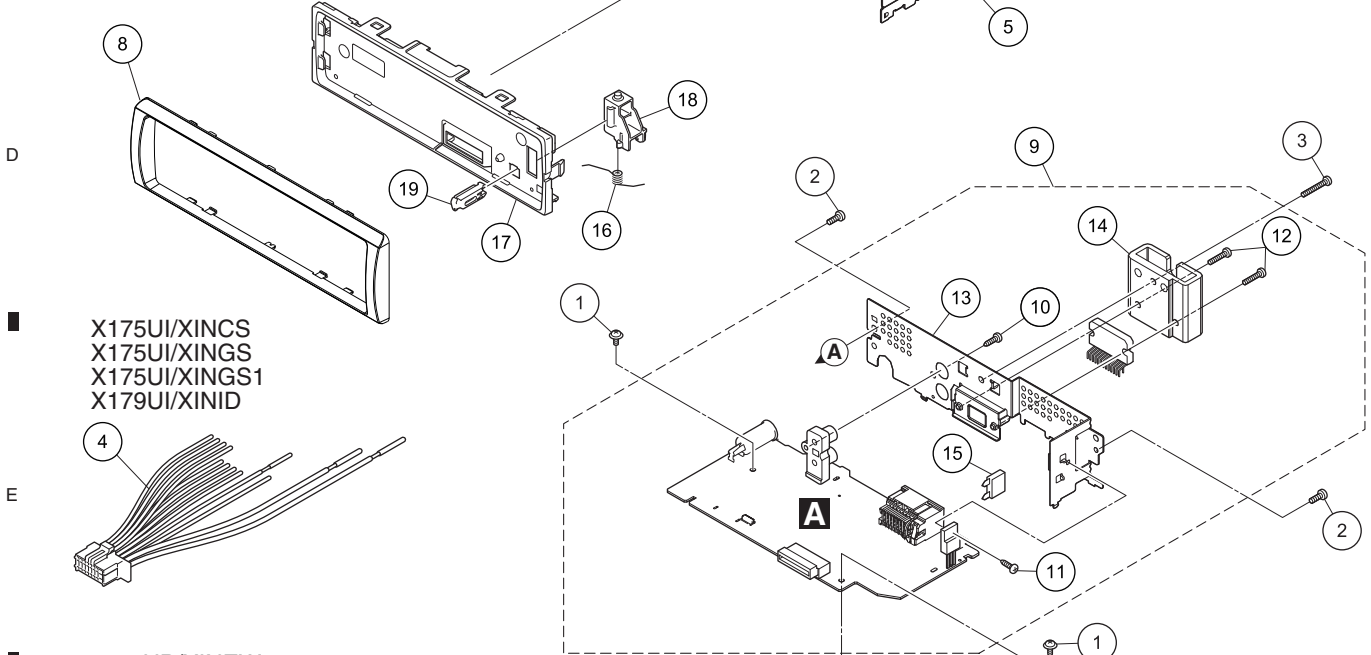
Part No.	Language
QRD3283	English, French, Italian, Spanish(Espanol), German, Dutch, Russian
QRD3285	English, Spanish(Espanol), Portuguese(B)
QRD3286	English, Traditional Chinese, Arabic, Persian
QRB3474	English

# 9.2 EXTERIOR

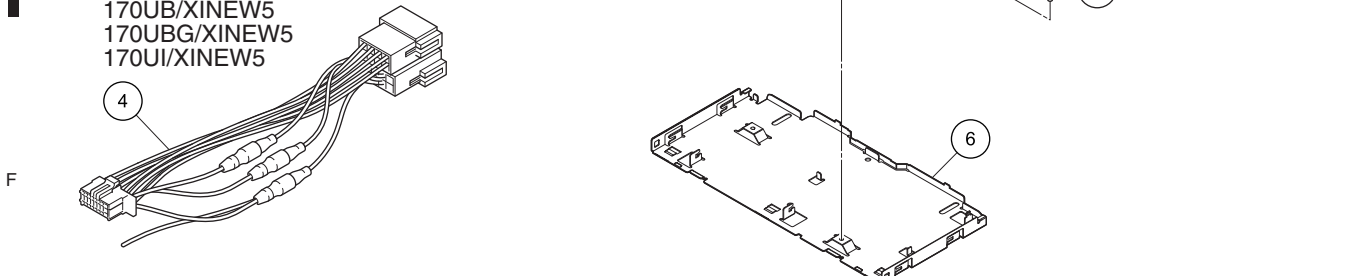
X175UI/XINCS  
X175UI/XINGS  
X175UI/XINGS1  
X179UI/XINID



X175UI/XINCS  
X175UI/XINGS  
X175UI/XINGS1  
X179UI/XINID



170UB/XINEW5  
170UBG/XINEW5  
170UI/XINEW5



**(1) EXTERIOR SECTION PARTS LIST**

<u>Mark No.</u>	<u>Description</u>	<u>Part No.</u>	<u>Mark No.</u>	<u>Description</u>	<u>Part No.</u>
1	Screw	ASZ26P050FTC	21	Screw	BPZ20P100FTC
2	Screw	BSZ26P060FTC	22	Spring	CBH2210
3	Screw	BSZ26P160FTC	23	Button (DISP)	QAC3179
4	Code Assy	See Contrast table (2)	24	Button (< > 1-6)	QAC3180
5	Chassis	QNA3024	25	Button (DETACH)	QAC3181
6	Case	QNB3030	26	Button (SRC, BAND)	See Contrast table (2)
7	Holder	QNC3020	27	Cover	QNS3767
8	Panel	QNS3568	28	LCD (V1801)	CAW2055
9	Tuner Amp Unit	See Contrast table (2)	29	Holder	QNC3067
10	Screw	BPZ26P080FTC	30	Sheet	QNM3128
11	Screw	BSZ26P060FTC	31	Rubber Connector	QNV3071
12	Screw	BSZ26P160FTC	32	Lighting Conductor	QNV3098
13	Holder	See Contrast table (2)	33	Contact Rubber	QNV3102
14	Heat Sink	QNR3012	34	Knob Unit	See Contrast table (2)
⚠ 15	Fuse (10 A)	YEK5001	35	Grille Unit	See Contrast table (2)
16	Spring	QBH3001	36	Door	QAT3014
17	Panel	QNS3289	37	Card Remote Control Unit	See Contrast table (2)
18	Arm	QNV3025	38	Cover	See Contrast table (2)
19	Button	QNV3026			
20	Detachable Grille Assy	See Contrast table (2)			

**(2) CONTRAST TABLE**

MVH-170UB/XINEW5, MVH-170UBG/XINEW5, MVH-170UI/XINEW5, MVH-X175UI/XINCS, MVH-X175UI/XINGS, MVH-X175UI/XINGS1, and MVH-X179UI/XINID are constructed the same except for the following:

Mark	No.	Description	MVH-170UB /XINEW5	MVH-170UBG /XINEW5	MVH-170UI /XINEW5	MVH-X175UI /XINCS	MVH-X175UI /XINGS
	4	Code Assy	QDP3071	QDP3071	QDP3070	CDP1480	CDP1480
	9	Tuner Amp Unit	QWM3945	QWM3945	QWM3939	QWM3940	QWM3941
	13	Holder	QNC3106	QNC3106	QNC3104	QNC3105	QNC3105
	20	Detachable Grille Assy	QXA4362	QXA4363	QXA4187	QXA4189	QXA4190
	26	Button (SRC, BAND)	QAC3204	QAC3204	QAC3185	QAC3185	QAC3185
	34	Knob Unit	QXA3673	QXA3673	QXA3673	QXA3673	QXA3671
	35	Grille Unit	QXA4364	QXA4365	QXA4202	QXA4204	QXA4204
	37	Card Remote Control Unit	Not used	Not used	Not used	QXE1047	QXE1047
	38	Cover	Not used	Not used	Not used	CNS7068	CNS7068

Mark	No.	Description	MVH-X175UI /XINGS1	MVH-X179UI /XINID
	4	Code Assy	CDP1480	CDP1480
	9	Tuner Amp Unit	QWM3941	QWM3942
	13	Holder	QNC3105	QNC3105
	20	Detachable Grille Assy	QXA4190	QXA4192
	26	Button (SRC, BAND)	QAC3185	QAC3185
	34	Knob Unit	QXA3671	QXA3671
	35	Grille Unit	QXA4204	QXA4207
	37	Card Remote Control Unit	QXE1047	QXE1047
	38	Cover	CNS7068	CNS7068

# 12. ELECTRICAL PARTS LIST

**NOTE:**

- Parts whose parts numbers are omitted are subject to being not supplied.
- The part numbers shown below indicate chip components.

Chip Resistor

RS1/○S○○○○J,RS1/○○S○○○○J

Chip Capacitor (except for CQS.....)

CKS....., CCS....., CSZS.....

- The  $\triangle$  mark found on some component parts indicates the importance of the safety factor of the part. Therefore, when replacing, be sure to use parts of identical designation.
- Meaning of the figures and others in the parentheses in the parts list.

Example) IC 301 is on the point (face A, 91 of x-axis, and 111 of y-axis) of the corresponding PC board.

IC 301 (A, 91, 111) IC NJM2068V

- The expression of the unit in this manual is shown by u instead of  $\mu$ . Please do not make a mistake.

	<u>Circuit Symbol and No.</u>	<u>Part No.</u>	<u>Circuit Symbol and No.</u>	<u>Part No.</u>
<b>A:</b>	MVH-170UB/XINEW5		IC 301 (A,82,70) Power AMP IC	PA2032A
<b>B:</b>	MVH-170UBG/XINEW5		IC 401 (A,15,22) Tuner IC	TEF6686HN
<b>C:</b>	MVH-170UI/XINEW5		IC 451 (A,30,14) Regulator IC	MM3571A33P
<b>D:</b>	MVH-X175UI/XINCS		IC 501 (A,50,28) IC(C,D,E,F)	337S3959
<b>E:</b>	MVH-X175UI/XINGS, MVH-X175UI/XINGS1		IC 531 (A,137,25) DC/DC CONV IC	KBD9876EFJ
<b>F:</b>	MVH-X179UI/XINID		IC 532 (A,104,15) Power Supply IC	BD2232G-G
<b>Unit Number: QWM3945(A,B)</b>			IC 601 (A,70,24) IC	R5S726A0D216FP
<b>Unit Number: QWM3939(C)</b>			IC 671 (A,87,17) IC	S-80827CNMC-B8M
<b>Unit Number: QWM3940(D)</b>			IC 681 (A,69,41) Flash Memory IC(A,B,C)	PEB155A8 *(NSP)
<b>Unit Number: QWM3941(E)</b>			(A,69,41) Flash Memory IC(D,E,F)	PEB184A8 *(NSP)
<b>Unit Number: QWM3942(F)</b>			IC 801 (A,94,23) L-MOS And Gate	TC7SET08FUS1
<b>Unit Name : Tuner Amp Unit</b>			IC 821 (A,105,26) IC	S-1200B53-M5
<b>Unit Number: (A,C)</b>			IC 881 (A,101,35) Regulator IC	S-1170B33UC-OTS
<b>Unit Number: (B)</b>			IC 882 (A,97,29) Regulator IC	S-1155B12-U5
<b>Unit Number: (D,E,F)</b>			IC 991 (A,92,46) Regulator IC	BD00GA3EEFJ
<b>Unit Name : Keyboard Unit</b>			Q 101 (A,103,29) Transistor(C)	LSAR523UB
			Q 251 (A,34,59) Transistor(C)	EMH53
			Q 252 (A,46,59) Transistor	EMH53
			Q 301 (A,72,50) Transistor	EMD52
			Q 501 (A,44,31) Transistor(C,D,E,F)	LSAR523UB
			Q 691 (A,102,45) Transistor	HN1C01FU
			Q 851 (A,119,33) Transistor	2SCR514PGZE
			Q 853 (A,114,35) Transistor	EMD52
			Q 861 (A,161,60) Transistor	KTD2092
			Q 862 (A,154,55) Transistor	EMD52
			Q 876 (A,120,26) Transistor	2SAR502UB
			Q 877 (A,117,24) Transistor	LTC143EUB
			Q 911 (A,92,51) Transistor(E,F)	RN4982
			D 101 (A,109,30) Diode(C)	DAN202UM
			D 531 (A,137,30) Diode	RB056L-40
			D 532 (A,145,35) Diode	CMS30I30A
			D 601 (A,84,36) Diode(C)	RB751SM-40
			D 602 (A,88,36) Diode(C)	RB751SM-40
			D 691 (A,100,50) Diode	DZ2J075M0
			D 692 (A,107,56) Diode(A,B,C)	DZ2J075M0
			(A,107,56) Diode(D,E,F)	DZ2J068M0
			D 802 (A,93,11) Diode	DZ2S068C
			D 803 (A,111,11) Diode	DZ2S068C
			D 807 (A,113,11) Diode	DZ2S068C
			D 808 (A,117,11) Diode	DZ2S068C
			D 809 (A,114,11) Diode	DZ2S068C
<b>MISCELLANEOUS</b>				
IC 201 (A,54,41) E-VOL IC	PM9013A			

5			6			7			8		
<u>Circuit Symbol and No.</u>			<u>Part No.</u>			<u>Circuit Symbol and No.</u>			<u>Part No.</u>		
D 810	(A,116,11)	Diode	DZ2S068C			R 422	(A,14,15)		RS1/16SS0R0J		
D 851	(A,116,31)	Diode	DZ2J100M0			R 430	(A,13,13)		RS1/10SR0R0J		
D 861	(A,145,38)	Diode	D1F60-5053			R 437	(A,20,15)		RS1/16SS472J		
D 862	(A,155,60)	Diode	DZ2J068M0			R 438	(A,16,15)		RS1/16SS472J		A
D 863	(A,115,39)	Diode	CRG03			R 439	(A,24,22)		RS1/16SS0R0J		
						R 451	(A,32,23)		RS1/16SS0R0J		
D 901	(A,141,59)	Diode	D1F60-5053			R 501	(A,46,30) (C,D,E,F)		RS1/16SS473J		
D 902	(A,141,63)	Diode	D1F60-5053			R 502	(A,49,32) (C,D,E,F)		RS1/16SS222J		
D 982	(A,93,59)	Diode	CRG03			R 503	(A,50,25) (C,D,E,F)		RS1/16SS222J		
L 101	(A,108,34)	Chip Coil(C)	BTH1101								
L 202	(A,57,34)	Inductor	CTF1793			R 504	(A,46,27) (C,D,E,F)		RS1/16SS272J		
						R 505	(A,46,28) (C,D,E,F)		RS1/16SS472J		
L 402	(A,10,27)	Inductor	LCTAW150J2520			R 506	(A,44,33) (C,D,E,F)		RS1/16SS472J		
L 404	(A,6,34)	Inductor	CTF1389			R 507	(A,53,29) (C,D,E,F)		RS1/16SS101J		
L 408	(A,18,40)	Inductor	LCMAR27J1608			R 508	(A,53,27) (C,D,E,F)		RS1/16SS101J		
L 531	(A,129,32)	Inductor	CTH1584								
L 801	(A,112,15)	Inductor	CTF1713			R 509	(A,53,28) (A,B)		RS1/16SS473J		B
						R 510	(A,47,33) (A,B)		RS1/16SS473J		
L 901	(A,138,50)	Choke Coil 600 uH	CTH1221			R 531	(A,129,24)		RS1/16SS0R0J		
T 401	(A,16,34)	Variable Coil	CTC1215			R 532	(A,130,23)		RS1/16SS1803D		
X 401	(A,27,22)	Crystal Resonator 9.216 MHz	CSS1864			R 533	(A,130,25)		RS1/16SS4302D		
X 601	(A,85,23)	Crystal Resonator 12.0 MHz	CSS1847								
X 603	(A,77,37)	Resonator 16.93 MHz	CSS1794			R 534	(A,134,18)		RS1/10SR471J		
						R 535	(A,131,25)		RS1/16SS682J		
△ P251	(A,59,64)	Fuse 3.0 A	CEK1386			R 601	(A,60,20)		RS1/16SS473J		
P 402	(A,9,42)	Absorber	HSPC16701B02			R 603	(A,69,12)		RS1/16SS473J		
VA801	(A,110,13)	Varistor	MLV0402ES012V0010N			R 604	(A,96,16)		RS1/16SS473J		
VA802	(A,101,11)	Varistor	MLV0402ES012V0010N								
CN801	(A,105,2)	Connector	CKS6452			R 605	(A,85,33)		RS1/16SS473J		C
						R 607	(A,83,24)		RS1/16SS152J		
JA251	(A,44,68)	Pin Jack(A,B,D,E,F)	YKB5010			R 608	(A,85,46)		RS1/16SS473J		
	(A,44,68)	Jack(C)	CKB1109			R 609	(A,87,30)		RS1/16SS473J		
JA401	(A,7,60)	Antenna Jack	YKS5041			R 610	(A,87,34) (A,B,C,D)		RS1/16SS103J		
JA901	(A,119,70)	Plug	CKM1624				(A,87,34) (E,F)		RS1/16SS1002F		
JA911	(A,145,74)	Jack(C,D,E,F)	CKS6437								
△		Fuse (10 A)	YEK5001			R 611	(A,84,34)		RS1/16SS103J		
						R 612	(A,82,36) (A,B,C)		RS1/16SS473J		
							(A,82,36) (E)		RS1/16SS223J		
							(A,82,36) (F)		RS1/16SS103J		
						R 613	(A,82,35) (A,B,D,E,F)		RS1/16SS473J		
R 101	(A,108,32) (C)		RS1/16SS153J			R 614	(A,82,42)		RS1/16SS473J		D
R 102	(A,106,29) (C)		RS1/16SS223J			R 615	(A,85,44)		RAB4CQ473J		
R 103	(A,101,27) (C)		RS1/16SS102J			R 616	(A,73,36)		RS1/16SS221J		
R 251	(A,38,57) (C)		RS1/16SS821J			R 617	(A,72,35)		RS1/16SS221J		
R 252	(A,29,57) (C)		RS1/16SS821J			R 618	(A,71,36)		RS1/16SS221J		
R 253	(A,38,58) (C)		RS1/16SS223J			R 619	(A,70,36)		RS1/16SS221J		
R 254	(A,29,58) (C)		RS1/16SS223J			R 620	(A,65,38)		RS1/16SS221J		
R 255	(A,50,57)		RS1/16SS821J			R 621	(A,68,35)		RS1/16SS221J		
R 256	(A,42,57)		RS1/16SS821J			R 622	(A,66,36)		RS1/16SS473J		
R 257	(A,50,58)		RS1/16SS223J			R 623	(A,64,44)		RS1/16SS473J		
R 258	(A,42,58)		RS1/16SS223J			R 624	(A,63,37)		RS1/16SS101J		
R 305	(A,73,49)		RS1/16SS103J			R 625	(A,58,32)		RS1/16SS102J		E
R 306	(A,75,53)		RS1/16SS221J			R 627	(A,81,45)		RS1/16SS473J		
R 307	(A,74,51)		RS1/16SS223J			R 628	(A,80,45)		RS1/16SS473J		
R 308	(A,67,64)		RS1/16SS103J			R 629	(A,56,31)		RS1/16SS473J		
R 401	(A,16,30)		RS1/16SS0R0J			R 631	(A,55,25)		RS1/16SS104J		
R 402	(A,15,30)		RS1/16SS0R0J			R 632	(A,58,26)		RS1/16SS101J		
R 403	(A,8,27)		RS1/16SS391J			R 633	(A,59,24)		RS1/16SS101J		
R 404	(A,8,36)		RS1/16SS105J			R 635	(A,59,23)		RS1/16SS101J		
R 405	(A,8,39)		RS1/16SS105J			R 636	(A,55,23)		RS1/16SS102J		
R 406	(A,17,18)		RS1/16SS101J			R 637	(A,57,21)		RS1/16SS102J		
R 407	(A,18,18)		RS1/16SS101J			R 638	(A,55,20)		RS1/16SS102J		F
R 408	(A,22,18)		RS1/16SS103J			R 639	(A,48,21)		RS1/16SS473J		
R 410	(A,21,18)		RS1/16SS103J			R 640	(A,59,17)		RS1/16SS222J		
R 417	(A,13,30)		RS1/16SS0R0J			R 641	(A,59,15)		RS1/16SS103J		
R 420	(A,23,28)		RS1/16SS0R0J								

**RESISTORS**

	1	2	3	4
	<u>Circuit Symbol and No.</u>	<u>Part No.</u>	<u>Circuit Symbol and No.</u>	<u>Part No.</u>
	R 643 (A,80,14)	RS1/16SS473J	<b>CAPACITORS</b>	
	R 644 (A,81,14)	RS1/16SS473J	C 201 (A,54,47)	CCSSCH151J50
	R 645 (A,82,14)	RS1/16SS473J	C 202 (A,52,50) 10 uF	DCH1201
A	R 646 (A,86,32)	RS1/16SS473J	C 203 (A,55,47)	CKSSYB104K10
	R 647 (A,83,31)	RS1/16SS473J	C 204 (A,56,47)	CKSSYB104K10
	R 648 (A,64,35)	RS1/16SS473J	C 205 (A,57,47)	CKSSYB104K10
	R 650 (A,91,15)	RS1/16SS473J		
	R 651 (A,89,26)	RS1/16SS153J	C 206 (A,58,52)	CEVW470M16
	R 652 (A,89,28)	RS1/16SS153J	C 207 (A,65,53) 10 uF	DCH1201
	R 653 (A,56,27)	RS1/16SS473J	C 210 (A,64,49)	CKSSYB104K16
	R 661 (A,76,34)	RS1/16SS222J	C 215 (A,44,45)	CKSRYB105K10
	R 662 (A,65,12)	RS1/16SS473J	C 216 (A,46,45)	CKSRYB105K10
	R 664 (A,46,22)	RS1/16SS473J	C 217 (A,45,41)	CKSRYB105K10
	R 665 (A,57,18)	RS1/16SS222J	C 218 (A,45,42)	CKSRYB105K10
B	R 667 (A,72,12)	RS1/16SS103J	C 220 (A,60,33) 10 uF	DCH1201
	R 668 (A,93,15)	RS1/16SS473J	C 221 (A,59,35)	CKSSYB104K10
	R 669 (A,85,13) (C)	RS1/16SS473J	C 222 (A,62,45) 10 uF	DCH1201
	R 671 (A,83,19)	RS1/16SS104J	C 229 (A,45,37)	CKSRYB105K10
	R 681 (A,70,45)	RS1/16SS473J	C 230 (A,45,40)	CKSRYB105K10
	R 682 (A,70,37)	RS1/16SS473J	C 232 (A,51,35)	CKSSYB104K10
	R 683 (A,75,42)	RS1/16SS473J	C 233 (A,51,34)	CKSSYB104K10
	R 684 (A,64,41)	RS1/16SS473J	C 234 (A,54,33) 10 uF	DCH1201
	R 685 (A,67,45)	RS1/16SS473J	C 235 (A,53,35)	CCSSCH151J50
	R 691 (A,102,47)	RS1/16SS103J	C 239 (A,62,49) 1 uF	DCH1246
	R 692 (A,107,44)	RS1/16SS104J	C 251 (A,38,56) 10 uF(C)	DCH1201
C	R 693 (A,104,47)	RS1/16SS473J	C 252 (A,30,56) 10 uF(C)	DCH1201
	R 694 (A,105,47)	RS1/16SS473J	C 253 (A,38,59) (C)	CCSSCH101J50
	R 695 (A,105,56) (A,B,C)	RS1/10SR333J	C 254 (A,29,59) (C)	CCSSCH101J50
	R 696 (A,111,57) (A,B,C)	RS1/10SR682J	C 255 (A,49,56) 10 uF	DCH1201
	(A,111,57) (D,E,F)	RS1/4SA122J	C 256 (A,42,56) 10 uF	DCH1201
		RS1/4SA102J	C 257 (A,50,59)	CCSSCH101J50
	R 801 (A,120,20)	RS1/10SR222J	C 258 (A,42,59)	CCSSCH101J50
	R 803 (A,120,16)	RS1/10SR222J	C 259 (A,28,62)	CCSRCH102J50
	R 806 (A,98,22)	RS1/10SR222J	C 260 (A,28,63)	CKSSYB104K10
	R 807 (A,89,13)	RS1/10SR222J	C 261 (A,28,64)	CKSSYB103K16
D	R 808 (A,86,12)	RS1/16SS822J	C 301 (A,77,59)	CKSRYB474K10
	R 809 (A,99,14)	RS1/10SR222J	C 302 (A,88,59)	CKSRYB474K10
	R 810 (A,97,14)	RS1/10SR222J	C 303 (A,80,59)	CKSRYB474K10
	R 811 (A,117,17)	RS1/10SR223J	C 304 (A,84,59)	CKSRYB474K10
	R 812 (A,114,17)	RS1/10SR223J	C 309 (A,64,64) 2.2 uF	CCG1205
	R 813 (A,117,20)	RS1/10SR101J	C 312 (A,68,59) 10 uF/16 V	DCH1263
	R 814 (A,114,20)	RS1/10SR101J	C 316 (A,78,53)	CKSRYB105K10
	R 815 (A,115,20)	RS1/10SR101J	C 324 (A,90,57)	CKSRYB104K16
	R 816 (A,111,20)	RS1/10SR220J	C 325 (A,113,50) 2 200 uF/16 V	CCH2040
	R 817 (A,113,20)	RS1/10SR220J	C 405 (A,23,27)	CKSSYB102K50
	R 852 (A,118,37)	RS1/10SR102J	C 409 (A,18,28)	CKSSYB224K6R3
E	R 854 (A,120,23)	RS1/10SR473J	C 410 (A,17,39)	CCSSCH220J50
	R 861 (A,154,51)	RS1/10SR122J	C 411 (A,15,39)	CCSSCH331J50
	R 862 (A,155,51)	RS1/10SR223J	C 414 (A,10,24)	CKSSYB102K50
	R 880 (A,117,27)	RS1/16SS103J	C 420 (A,8,38)	CCSSCH471J50
	R 881 (A,116,27)	RS1/16SS272J	C 422 (A,10,23)	CKSSYB152K50
	R 882 (A,118,28)	RS1/16SS473J	C 425 (A,21,24)	CCSSCH390J50
	R 883 (A,101,31)	RS1/16SS473J	C 428 (A,14,27)	CKSSYB104K10
	R 911 (A,149,59) (C,D)	RS1/10SR102J	C 430 (A,17,28)	CKSSYB102K50
	R 912 (A,146,59) (C,D,E,F)	RS1/10SR1001F	C 434 (A,13,41)	CCSSCH100D50
		RS1/10SR102J	C 442 (A,13,17) 10 uF	DCH1201
F	R 915 (A,146,60) (E,F)	RS1/16SS471J	C 452 (A,24,14)	CKSRYB104K16
	R 991 (A,88,46)	RS1/16SS2702D	C 453 (A,35,13)	CKSRYB105K10
	R 992 (A,88,45)	RS1/16SS4301D	C 458 (A,8,18)	CCSSCH102J50
			C 459 (A,24,31)	CKSRYB105K10

5		6		7		8	
<u>Circuit Symbol and No.</u>		<u>Part No.</u>		<u>Circuit Symbol and No.</u>		<u>Part No.</u>	
C 501	(A,47,30) (C,D,E,F)	CKSSYB104K10		C 883	(A,105,36) 10 uF	DCH1201	
C 502	(A,47,28) (C,D,E,F)	CKSSYB104K10		C 884	(A,93,28) 10 uF	DCH1201	
C 531	(A,142,25)	CKSSYB103K16		C 885	(A,96,32) 10 uF	DCH1201	A
C 532	(A,127,19)	CEVQW221M6R3		C 886	(A,97,36) 10 uF	DCH1201	
C 534	(A,125,27)	CKSRYB105K10		C 914	(A,151,66)	CKSSYB102K50	
C 535	(A,135,20) 10 uF	DCH1201		C 970	(A,24,4)	CKSSYB104K10	
C 536	(A,132,24)	CKSSYB682K25		C 971	(A,28,46)	CKSRYB103K50	
C 539	(A,142,28) 4.7 uF	CCG1222		C 991	(A,97,47)	CKSRYB105K16	
C 540	(A,144,27)	CKSRYB105K16		C 992	(A,85,49)	CKSRYB105K16	
C 541	(A,150,26)	CEVW471M16					
C 542	(A,107,17)	CKSRYB105K10					
C 545	(A,107,12)	CKSRYB105K10					
C 601	(A,59,14)	CKSSYB104K10					
C 602	(A,68,12)	CKSSYB102K50					
C 603	(A,72,11)	CKSSYB104K10					
C 604	(A,81,9)	CKSSYB102K50					
C 605	(A,81,13)	CKSSYB104K10					
C 606	(A,85,21)	CCSSCH120J50					
C 607	(A,84,25)	CCSSCH120J50					
C 608	(A,81,21)	CKSSYB104K10					
C 609	(A,81,22)	CKSSYB104K10					
C 610	(A,81,24)	CKSSYB104K10					
C 611	(A,81,33)	CKSSYB104K10					
C 612	(A,81,32)	CKSSYB104K10					
C 613	(A,73,35)	CKSSYB104K10					
C 614	(A,67,35)	CKSSYB104K10					
C 615	(A,61,37)	CCSSCH220J50					
C 616	(A,62,36)	CKSSYB104K10					
C 617	(A,63,34)	CKSSYB104K10					
C 618	(A,57,32)	CKSSYB104K10					
C 619	(A,60,27)	CKSSYB104K10					
C 620	(A,56,22)	CKSSYB104K10					
C 621	(A,57,19)	CKSSYB104K10					
C 628	(A,82,18)	CKSSYB104K10					
C 629	(A,59,29)	CCSSCH220J50					
C 630	(A,57,26)	CCSSCH220J50					
C 631	(A,57,23)	CCSSCH220J50					
C 632	(A,79,37)	CCSSCH120J50					
C 633	(A,75,37)	CCSSCH120J50					
C 638	(A,62,40)	CKSSYB104K10					
C 641	(A,44,26)	CCSSCH330J50					
C 672	(A,87,19)	CKSRYB105K10					
C 681	(A,77,43)	CKSSYB104K10					
C 683	(A,75,40)	CCSSJ3R0C50					
C 691	(A,105,57)	CKSRYB104K16					
C 693	(A,76,49)	CCSSCH101J50					
C 801	(A,122,13)	CCSRCH102J50					
C 805	(A,120,12)	CKSRYB104K16					
C 806	(A,98,11)	CCSRCH221J50					
C 807	(A,97,11)	CCSRCH221J50					
C 810	(A,107,11)	CKSRYB104K16					
C 811	(A,116,15)	CKSRYB105K10					
C 813	(A,98,24)	CKSSYB104K10					
C 841	(A,109,25) 10 uF	DCH1201					
C 842	(A,101,25) 10 uF	DCH1201					
C 852	(A,120,22)	CCSRCH101J50					
C 853	(A,114,29)	CKSSYB104K16					
C 861	(A,155,38)	XCEAT102M16					
C 862	(A,156,59)	CKSSYB104K16					
C 864	(A,155,64) 10 uF	DCH1201					

**B**  
**Unit Number : (A,C)**  
**Unit Number : (B)**  
**Unit Number : (D,E,F)**  
**Unit Name : Keyboard Unit**

**MISCELLANEOUS**

IC 1801	(B,83,20) IC	PD6586A8
IC 1941	(A,156,37) Remote IC(D,E,F)	SIR8440B5
D 1951	(A,63,20) White LED	SWBA05(FI231719)
D 1953	(A,54,15) Green LED(B)	SML-D12P8W(KL)
D 1954	(A,50,7) Green LED(B)	SML-D12P8W(KL)
D 1955	(A,53,25) Green LED(B)	SML-D12P8W(KL)
D 1956	(A,58,3) Green LED(B)	SML-D12P8W(KL)
D 1957	(A,72,3) Green LED(B)	SML-D12P8W(KL)
D 1958	(A,86,3) Green LED(B)	SML-D12P8W(KL)
D 1959	(A,96,3) Green LED(B)	SML-D12P8W(KL)
D 1960	(A,107,3) Green LED(B)	SML-D12P8W(KL)
D 1961	(A,117,3) Green LED(B)	SML-D12P8W(KL)
D 1962	(A,127,3) Green LED(B)	SML-D12P8W(KL)
D 1963	(A,138,3) Green LED(B)	SML-D12P8W(KL)
D 1964	(A,12,31) Green LED(B)	SML-D12P8W(KL)
D 1965	(A,12,6) Green LED(B)	SML-D12P8W(KL)
D 1966	(A,10,18) Green LED(B)	SML-D12P8W(KL)
D 1968	(A,10,17) Red LED(A,C,D,E,F)	SML-D12V8W(PQ)
D 1969	(A,52,7) Red LED(A,C,D,E,F)	SML-D12V8W(PQ)
D 1970	(A,51,30) Red LED(A,C,D,E,F)	SML-D12V8W(PQ)
D 1971	(A,12,29) Red LED(A,C,D,E,F)	SML-D12V8W(PQ)
D 1972	(A,12,5) Red LED(A,C,D,E,F)	SML-D12V8W(PQ)
D 1973	(A,73,3) Red LED(A,C,D,E,F)	SML-D12V8W(PQ)
D 1974	(A,59,3) Red LED(A,C,D,E,F)	SML-D12V8W(PQ)
D 1975	(A,108,3) Red LED(A,C,D,E,F)	SML-D12V8W(PQ)
D 1976	(A,98,3) Red LED(A,C,D,E,F)	SML-D12V8W(PQ)
D 1977	(A,87,3) Red LED(A,C,D,E,F)	SML-D12V8W(PQ)
D 1978	(A,139,3) Red LED(A,C,D,E,F)	SML-D12V8W(PQ)
D 1979	(A,129,3) Red LED(A,C,D,E,F)	SML-D12V8W(PQ)
D 1980	(A,118,3) Red LED(A,C,D,E,F)	SML-D12V8W(PQ)
D 1981	(A,53,20) Red LED(A,C,D,E,F)	SML-D12V8W(PQ)
X 1801	(B,68,23) Ceramic Resonator 5.00 MHz	CSS1547
S 1839	(A,32,18) Encoder(MULTI-CONTROL)	CSD1193
CN1931	(B,107,7) Connector	CKS6451
JA1911	(A,157,23) Connector	CKS6488
JA1921	(A,153,7) Jack	CKN1090
V 1801	(A,140,30) LCD	CAW2055

**RESISTORS**

R 1801	(B,88,11)	RS1/10SR473J
R 1802	(B,63,19)	RS1/10SR473J

**Circuit Symbol and No.****Part No.**

R 1803	(B,73,22)	RS1/10SR222J
R 1805	(B,46,25)	RS1/10SR473J
R 1806	(B,48,26)	RS1/10SR473J

A

R 1807	(B,46,29)	RS1/10SR473J
R 1808	(B,45,29)	RS1/10SR473J
R 1823	(B,44,25)	RS1/10SR273J
R 1921	(B,130,7)	RS1/10SR0R0J
R 1922	(B,127,10)	RS1/10SR0R0J

R 1923	(B,128,4)	RS1/10SR0R0J
R 1931	(B,45,16)	RS1/10SR222J
R 1932	(B,39,8)	RS1/10SR222J
R 1941	(B,127,23) (A,B,C)	RS1/10SR473J
R 1944	(B,131,25) (D,E,F)	RS1/10SR101J

B

R 1951	(B,57,19)	RS1/4SA151J
R 1952	(B,57,21)	RS1/4SA151J
R 1955	(B,50,18) (B)	RS1/4SA681J
R 1957	(B,25,6) (B)	RS1/4SA471J
R 1959	(B,18,20) (B)	RS1/4SA471J

R 1961	(B,87,9) (B)	RS1/4SA471J
R 1963	(B,53,12) (B)	RS1/4SA471J
R 1965	(B,144,16) (B)	RS1/4SA471J
R 1967	(B,12,30) (B)	RS1/4SA471J
R 1970	(B,18,7) (B)	RS1/4SA561J

C

R 1971	(B,13,13) (B)	RS1/10SR0R0J
R 1975	(B,10,17) (A,C,D,E,F)	RS1/10SR222J
R 1976	(B,12,17) (A,C,D,E,F)	RS1/10SR0R0J
R 1977	(B,48,13) (A,C,D,E,F)	RS1/8SQ561J
R 1980	(B,14,25) (A,C,D,E,F)	RS1/10SR182J

R 1981	(B,80,7) (A,C,D,E,F)	RS1/8SQ821J
R 1983	(B,57,10) (A,C,D,E,F)	RS1/8SQ331J
R 1985	(B,141,17) (A,C,D,E,F)	RS1/8SQ331J
R 1987	(B,54,20) (A,C,D,E,F)	RS1/4SA681J
R 1991	(B,47,7) (B)	RS1/10SR0R0J

R 1996	(B,60,7) (A,C,D,E,F)	RS1/10SR0R0J
--------	----------------------	--------------

D **CAPACITORS**

C 1806	(B,66,22)	CKSRYB104K16
C 1807	(B,64,22)	CKSRYB105K10
C 1912	(B,142,20)	CKSRYB102K50
C 1941	(B,135,28) 10 uF(D,E,F)	DCH1201

E

F