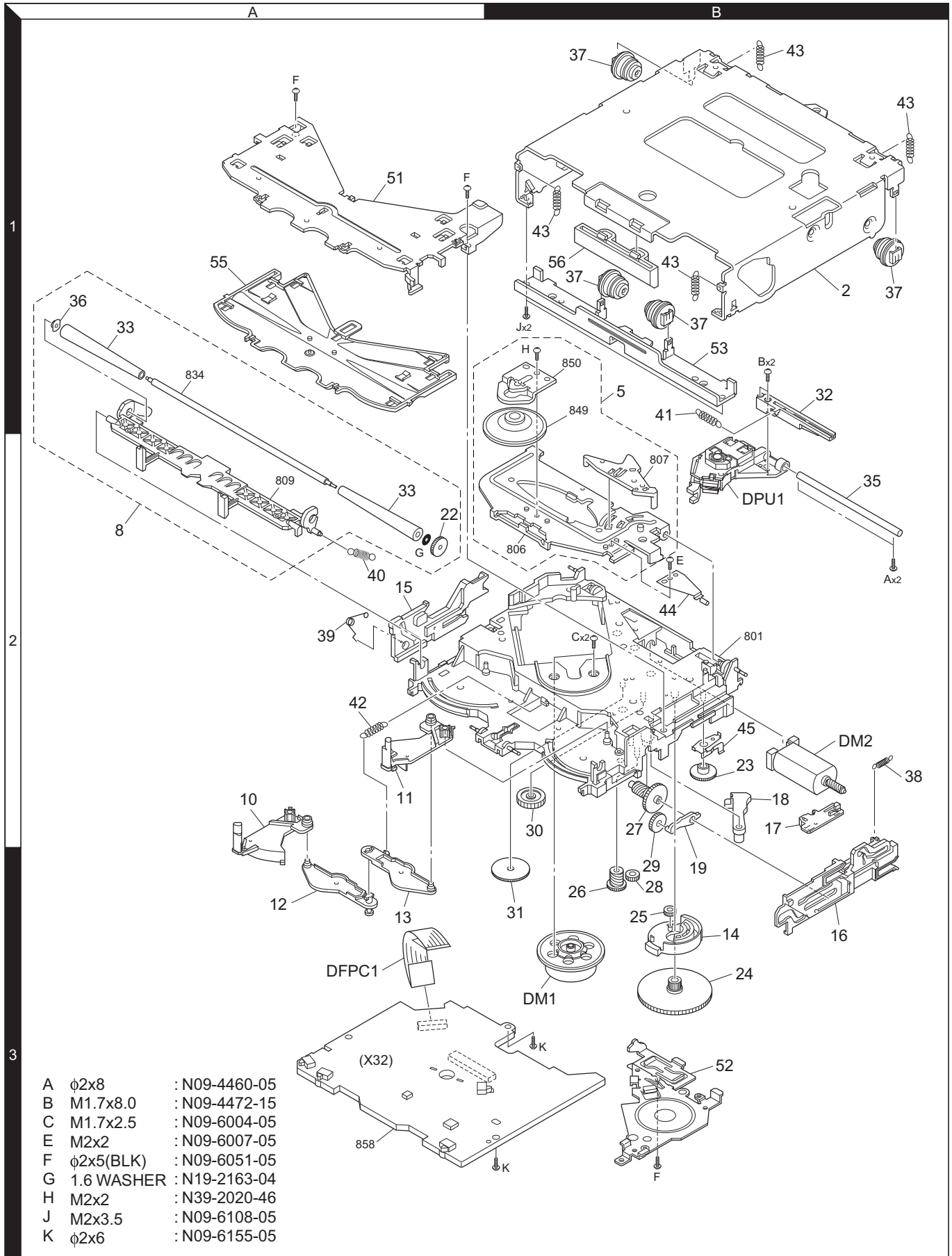


# DPX-MP4070/MP4070B

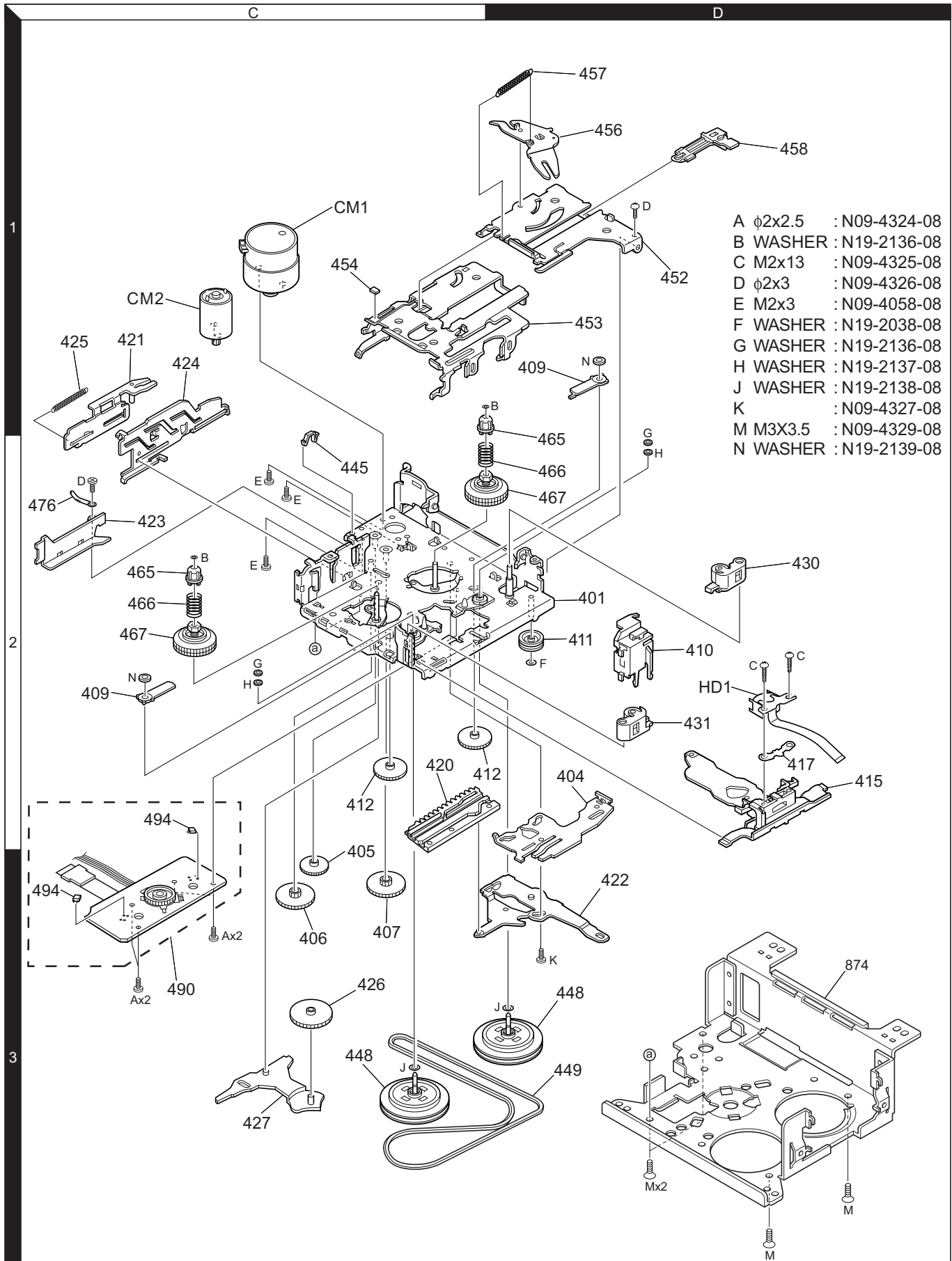
## EXPLODED VIEW (CD MECHANISM)



Parts with the exploded numbers larger than 700 are not supplied.

# DPX-MP4070/MP4070B

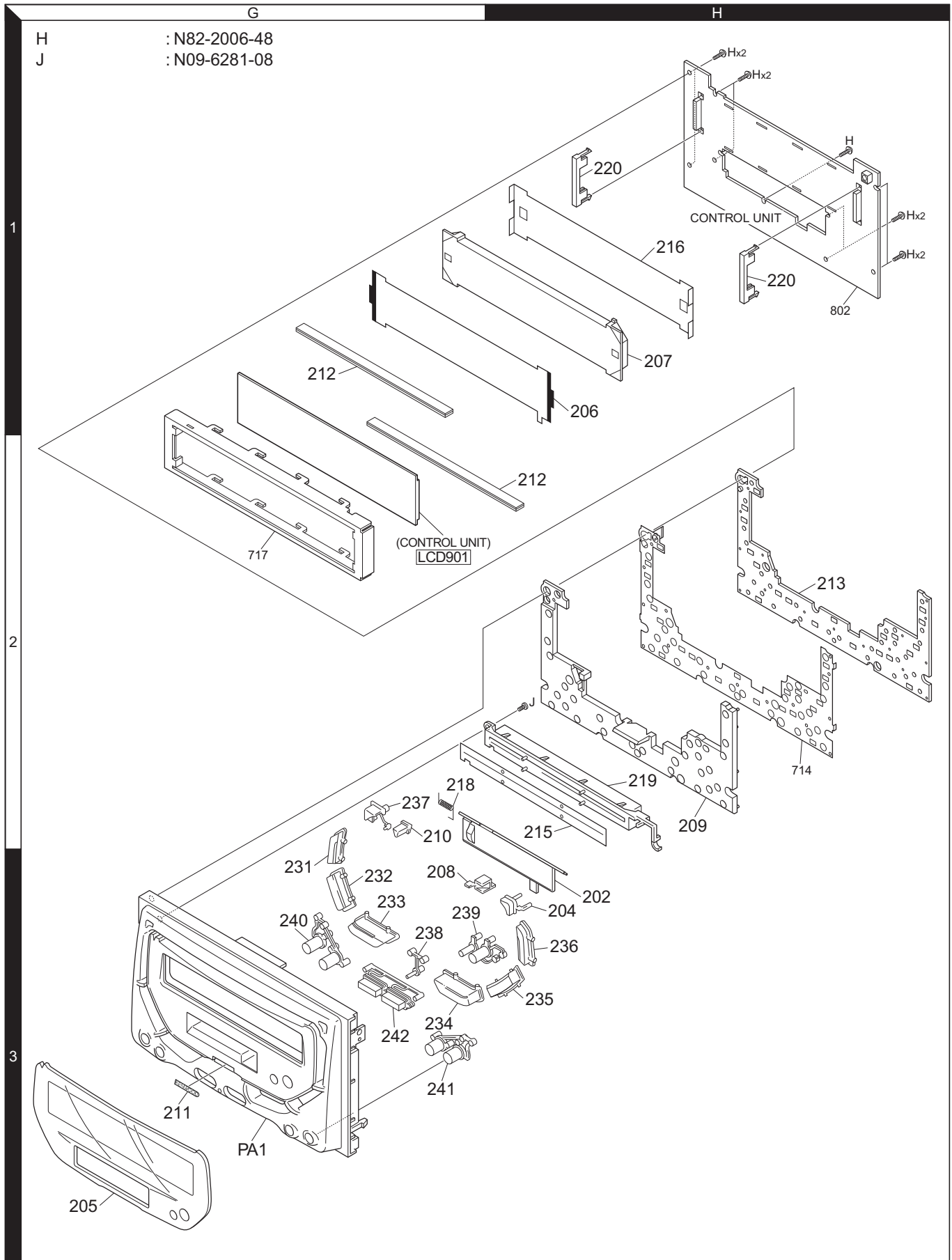
## EXPLODED VIEW (CASSETTE MECHANISM)





# DPX-MP4070/MP4070B

## EXPLODED VIEW (PANEL)



# DPX-MP4070/MP4070B

## PARTS LIST

\* New parts

Parts without **Parts No.** are not supplied.

Les articles non mentionnés dans le **Parts No.** ne sont pas fournis.

Teile ohne **Parts No.** werden nicht geliefert.

Ref. No.	Added	New	Parts No.	Description	Destination
<b>DPX-MP4070/MP4070B</b>					
201	1F	*	A52-0861-08	TOP PLATE	M3K1 M2
202	3H	*	A53-1724-08	CASSETTE LID	
PA1	3G	*	A64-3557-08	PANEL	
PA1	3G	*	A64-3562-08	PANEL	
RM1	1E		A70-2059-05	REMOTE CONTROLLER ASSY (RC-505)	
-			B46-0100-50	WARRANTY CARD	K1
-			B46-0606-04	ID CARD	
-			B58-1365-04	CAUTION CARD (CONNECTION)	
-		*	B58-1418-08	CAUTION CARD	
-		*	B64-2861-00	INST. MANUAL (ENG,FRE)	
-		*	B64-2862-10	INST. MANUAL (ENG,T-CHI,KOR)	M2M3
-		*	B64-2863-00	INST. MANUAL (SPA,POR)	K1
203	1E		B07-3046-04	ESCUTCHEON ASSY	M2
204	3H	*	B10-4589-08	FRONT GLASS	
205	3G	*	B10-4679-08	FRONT GLASS ASSY	
205	3G	*	B10-4680-08	FRONT GLASS ASSY	M3K1
206	1H	*	B11-1468-08	OPTICAL DIFFUSER	M3K1
207	1H	*	B19-2194-18	LIGHTING BOARD	
208	3G	*	B19-2284-08	LIGHTING BOARD	
209	2H	*	B19-2328-08	LIGHTING BOARD	
210	2G	*	B19-2286-08	LIGHTING BOARD	
211	3G	*	B43-1525-08	BADGE (KENWOOD)	M3K1
CME1	2E	*	D40-2204-08	CASSETTE MECHANISM ASSY	
212	1G		E29-1922-08	CONDUCTIVE RUBBER	
213	2H	*	E29-2021-08	CONDUCTIVE RUBBER	
214	3F	*	E30-6406-08	CORD WITH PINPLUG	
△ DC1	1E	*	E30-6405-08	DC CORD ASSY	K1
FC1	2F	*	E39-0716-08	FLAT CABLE	
215	2H	*	F19-1436-08	BLIND PLATE	
216	1H		F09-1780-08	SHEET	
217	3F		F29-0049-05	INSULATING COVER	
△ F1	3F		F52-0006-05	FUSE (MINI BLADE) (10A)	K1
218	2G		G09-2052-08	SPRING	
-		*	H10-4903-08	POLY. FOAMED FIXTURE (FRONT)	
-		*	H10-4905-08	POLY. FOAMED FIXTURE (BACK)	
-		*	H11-1549-08	POLYSTYRENE FOAMED BOARD	
-			H25-0336-04	PROTECTION BAG (170X250X0.03)	K1
-			H25-1127-04	PROTECTION BAG (350X450X0.5)	
-		*	H54-3192-08	ITEM CARTON CASE (DPX-MP4070)	
-		*	H54-3193-08	ITEM CARTON CASE (DPX-MP4070B)	
-		*	H54-3206-08	ITEM CARTON CASE (DPX-MP4070)	
219	2H	*	J90-1102-08	GUIDE	M3 M2
220	1H		J19-5192-08	HOLDER	
231	3G	*	K24-4333-08	KNOB (1,2)	M2
232	3G	*	K24-4334-08	KNOB (3,4)	
233	3G	*	K24-4342-08	KNOB (5,6)	
234	3G	*	K24-4221-08	KNOB (SEEK)	
235	3H	*	K24-4336-08	KNOB (FM/AM)	
236	3H	*	K24-4223-08	KNOB (VOL)	M2
237	2G	*	K24-4224-08	KNOB (CD EJECT)	

Ref. No.	Added	New	Parts No.	Description	Destination
238	3G	*	K24-4230-08	KNOB (RESET)	M3K1 M2
239	3H	*	K25-1676-08	KNOB (CASSETTE EJECT/PAUSE)	
239	3H	*	K25-1705-08	KNOB (CASSETTE EJECT/PAUSE)	
240	3G	*	K25-1677-08	KNOB (COL/DISP)	
241	3G	*	K25-1678-08	KNOB (EQ/ATT)	
242	3G	*	K25-1706-08	KNOB ASSY (SRC/WOW)	K1
274	1E		N99-1724-05	SCREW SET	
A	2E		N86-3006-48	BINDING HEAD TAPTITE SCREW	
B	1F	*	N83-3004-48	SCREW	
C	2F		N86-3008-45	BINDING HEAD TAPTITE SCREW	
D	3F	*	N09-6300-08	BINDING HEAD TAPTITE SCREW	
E	3F	*	N83-3008-45	SCREW	
H	1H		N82-2006-48	BINDING HEAD TAPTITE SCREW	
J	2H	*	N09-6281-08	TAPTITE SCREW	
276	1E		W09-0746-08	MOUNTING PARTS SET	
DME1	1F	*	X92-4850-03	CD MECHANISM ASSY	
<b>MAIN UNIT</b>					
C1			CE04CW1A101M	ELECTRO 100UF 10WV	K
C2,3			CK73GB1H103K	CHIP C 0.010UF	
C4			CC73GCH1H220J	CHIP C 22PF	
C5			CC73GCH1H200J	CHIP C 20PF	
C6-8			CK73GB1H103K	CHIP C 0.010UF	
C9		*	C94-0086-05	ELECTRO 33UF 4WV	
C10			CK73GB1H103K	CHIP C 0.010UF	
C12			CK73GB1H104K	CHIP C 0.10UF	
C13			CK73GB1H103K	CHIP C 0.010UF	
C101			CE04CW1C470M	ELECTRO 47UF 16WV	
C102			CK73GB0J105K	CHIP C 1.0UF	K
C103			CK73GB1A474K	CHIP C 0.47UF	
C104,105			CK73GB0J105K	CHIP C 1.0UF	
C106			CK73GB1A474K	CHIP C 0.47UF	
C107			CK73GB0J105K	CHIP C 1.0UF	
C108			CK73GB1H103K	CHIP C 0.010UF	
C109,110			CK73FB1C105K	CHIP C 1.0UF	
C111,112			CK73FB1A225K	CHIP C 2.2UF	
C113,114			CK73FB1C105K	CHIP C 1.0UF	
C115,116			C90-2524-05	NP-ELEC 4.7UF 16WV	
C117		*	C94-0086-05	ELECTRO 33UF 4WV	K
C118,119			CK73FB1C105K	CHIP C 1.0UF	
C141-144			CK73GB1H473K	CHIP C 0.047UF	
C145			CK73GB0J105K	CHIP C 1.0UF	
C146			CD04AT1C100M	ELECTRO 10UF 16WV	
C147			CK73GB1H333K	CHIP C 0.033UF	
C148			CK73GB1H103K	CHIP C 0.010UF	
C149			CK73GB1A334K	CHIP C 0.33UF	
C150			CK73GB1A474K	CHIP C 0.47UF	
C151			CK73GB1H221K	CHIP C 220PF	
C152			CK73GB1H104K	CHIP C 0.10UF	K
C153,154			CD04AT1C100M	ELECTRO 10UF 16WV	
C155			CK73GB1H104K	CHIP C 0.10UF	
C156			CK73GB1H103K	CHIP C 0.010UF	
C158			CK73GB1H104K	CHIP C 0.10UF	

**K1** : DPX-MP4070 **M2** : DPX-MP4070 **M3** : DPX-MP4070B  
**(E** : Europe **K** : North America **M** : Other Areas **W** : Without Europe)

△ Indicates safety critical components.

# DPX-MP4070/MP4070B

## PARTS LIST

### MAIN UNIT

Ref. No.	A d d	N e w	Parts No.	Description	Desti- nation
C159,160			CK73FB1C105K	CHIP C 1.0UF K	
C161			CK73GB1H104K	CHIP C 0.10UF K	
C162			CK73GB1H103K	CHIP C 0.010UF K	
C163,164			CK73GB1H473K	CHIP C 0.047UF K	
C201			CK73FB1C104K	CHIP C 0.10UF K	
C202			C93-1218-05	CERAMIC 0.01UF K	
C203-205			C93-1191-08	CERAMIC 1000PF K	
C206			CD04AT1HR47M	ELECTRO 0.47UF 50WV	
C207			CE04CW0J470M	ELECTRO 47UF 6.3WV	
C209			CD04AT1HR47M	ELECTRO 0.47UF 50WV	
C221			C90-2949-08	ELECTRO 470UF 10WV	
C222			CK73GB1H103K	CHIP C 0.010UF K	
C223			CD04AT1C100M	ELECTRO 10UF 16WV	
C224			CK73GB1H103K	CHIP C 0.010UF K	
C225,226			CK73GB1H123K	CHIP C 0.012UF K	
C228			CC73GCH1H220J	CHIP C 22PF J	
C231			CD04AT1C100M	ELECTRO 10UF 16WV	
C232,233			CK73GB1H103K	CHIP C 0.010UF K	
C234			C90-5225-08	NP-ELEC 0.1UF 50WV	
C235			CK73GB1H103K	CHIP C 0.010UF K	
C236			C90-2949-08	ELECTRO 470UF 10WV	
C237,238			CC73GCH1H150J	CHIP C 15PF J	
C239			CC73GCH1H331J	CHIP C 330PF J	
C240			CC73GCH1H102J	CHIP C 1000PF J	
C241			CC73GCH1H331J	CHIP C 330PF J	
C242,243			CD04AT1HR47M	ELECTRO 0.47UF 50WV	
C270			CK73GB1H103K	CHIP C 0.010UF K	
C271,272		*	C93-1374-08	CERAMIC 2200PF K	
C273,274			CD04AT1C100M	ELECTRO 10UF 16WV	
C281,282		*	C93-1374-08	CERAMIC 2200PF K	
C283,284			CD04AT1C100M	ELECTRO 10UF 16WV	
C291-293			CK73GB1H103K	CHIP C 0.010UF K	
C301			CE04CW1A101M	ELECTRO 100UF 10WV	
C302			CK73GB1H103K	CHIP C 0.010UF K	
C303			CE04CW1A101M	ELECTRO 100UF 10WV	
C304			CD04AT1C220M	ELECTRO 22UF 16WV	
C308,309			CK73FB1C105K	CHIP C 1.0UF K	
C331			C93-1366-08	CERAMIC 0.47UF K	
C332			CE04CW0J470M	ELECTRO 47UF 6.3WV	
C333			C93-1366-08	CERAMIC 0.47UF K	
C334			CK73GB1H103K	CHIP C 0.010UF K	
C351,352			CK73GB1H473K	CHIP C 0.047UF K	
C353			CK73GB1H104K	CHIP C 0.10UF K	
C354,355			CK73GB1H473K	CHIP C 0.047UF K	
C356			CK73GB1H104K	CHIP C 0.10UF K	
C357-359			CK73GB1H103K	CHIP C 0.010UF K	
C360			CD04AT1C100M	ELECTRO 10UF 16WV	
C601-604			C93-1366-08	CERAMIC 0.47UF K	
C611-614			C93-1366-08	CERAMIC 0.47UF K	
C621			CK73GB0J105K	CHIP C 1.0UF K	
C622		*	C90-6713-08	ELECTRO 33UF 25WV	
C623			CD04AT1H010M	ELECTRO 1UF 50WV	
C624,625			CK73FB1A225K	CHIP C 2.2UF K	
C801			C90-5328-08	ELECTRO 3900UF 16WV	
C802			C90-5694-08	ELECTRO 0.1UF 50WV	

Ref. No.	A d d	N e w	Parts No.	Description	Desti- nation
C803			CD04AT1H3R3M	ELECTRO 3.3UF 50WV	
C804			CK73GB0J105K	CHIP C 1.0UF K	
C805			C93-1151-08	CHIP C 0.022UF K	
C806-808			CK73GB1H103K	CHIP C 0.010UF K	
C809			CK73GB0J105K	CHIP C 1.0UF K	
C830			CK73GB1H103K	CHIP C 0.010UF K	
C851			CK73GB1A474K	CHIP C 0.47UF K	
C852			C90-5248-05	ELECTRO 100UF 10WV	
C853			CK73GB1A474K	CHIP C 0.47UF K	
C855		*	C90-6714-08	ELECTRO 470UF 25WV	
C856			CD04AT1C100M	ELECTRO 10UF 16WV	
C857			CK73GB1H103K	CHIP C 0.010UF K	
C858			C90-5248-05	ELECTRO 100UF 10WV	
C859			CC73GCH1H102J	CHIP C 1000PF J	
C860			CD04AZ1C221M	ELECTRO 220UF 16WV	
C861			CK73GB1H104K	CHIP C 0.10UF K	
C862			CE04CW1A101M	ELECTRO 100UF 10WV	
C863			CK73GB1H104K	CHIP C 0.10UF K	
C864			CD04AT1E100M	ELECTRO 10UF 25WV	
C865			CD04AT1C100M	ELECTRO 10UF 16WV	
C866			CK73GB1H102K	CHIP C 1000PF K	
ANT221			E04-0323-08	RF COAXIAL CABLE RECEPTACLE	
CN1		*	E58-1011-08	RECTANGULAR RECEPTACLE	
CN201			E56-0834-05	CYLINDRICAL RECEPTACLE	
CN271A			E63-0869-08	PIN JACK	
CN291			E40-9656-05	FLAT CABLE CONNECTOR	
CN301		*	E41-2270-08	FLAT CABLE CONNECTOR	
CN331			E40-3238-05	PIN ASSY	
CN351			E41-0051-08	FLAT CABLE CONNECTOR	
CN801			E03-0403-08	DC JACK	
△ FU802		*	F09-1922-08	PROTECTOR (FUSE) (2A)	
L2			L41-4795-33	SMALL FIXED INDUCTOR (4.7UH)	
L4,5		*	L92-0605-08	CHIP FERRITE	
L41		*	L92-0605-08	CHIP FERRITE	
L51		*	L92-0605-08	CHIP FERRITE	
L101			L41-4795-33	SMALL FIXED INDUCTOR (4.7UH)	
L221		*	L33-2231-08	LINE FILTER (52UH)	
L222			L40-1001-88	SMALL FIXED INDUCTOR (10UH)	
L223			L41-4795-33	SMALL FIXED INDUCTOR (4.7UH)	
L224,225		*	L92-0605-08	CHIP FERRITE	
L231		*	L92-0605-08	CHIP FERRITE	
L801			L33-1988-05	CHOKE COIL ASSY	
X1			L78-0533-05	RESONATOR (32.768KHz)	
X2		*	L78-1202-08	RESONATOR (7.97MHz)	
X201			L77-2080-05	CRYSTAL RESONATOR (7.2MHz)	
JC3			R92-2053-05	CHIP R 0 OHM J 1/8W	
JC5			R92-2052-05	CHIP R 0 OHM J 1/10W	
JC7			R92-2053-05	CHIP R 0 OHM J 1/8W	
R1			RK73GB2A473J	CHIP R 47K J 1/10W	
R4			RK73GB2A473J	CHIP R 47K J 1/10W	
R5			RK73GB2A102J	CHIP R 1.0K J 1/10W	
R6			R92-1252-05	CHIP R 0 OHM J 1/16W	
R7			RK73GB1J684J	CHIP R 680K J 1/16W	

K1 : DPX-MP4070 M2 : DPX-MP4070 M3 : DPX-MP4070B  
(E : Europe K : North America M : Other Areas W : Without Europe)

△ Indicates safety critical components.

## PARTS LIST

### MAIN UNIT

Ref. No.	Add	New	Parts No.	Description	Destination	Ref. No.	Add	New	Parts No.	Description	Destination
R8			RK73GB2A470J	CHIP R 47 J 1/10W		R156			RK73GB2A911J	CHIP R 910 J 1/10W	
R9			RK73GB2A102J	CHIP R 1.0K J 1/10W		R157,158			RK73GB2A104J	CHIP R 100K J 1/10W	
R10			RK73GB2A470J	CHIP R 47 J 1/10W		R159,160			RK73GB2A103J	CHIP R 10K J 1/10W	
R13			RK73GB2A102J	CHIP R 1.0K J 1/10W		R161			RK73GB2A222J	CHIP R 2.2K J 1/10W	
R14			RK73GB2A222J	CHIP R 2.2K J 1/10W		R162			RK73GB2A911J	CHIP R 910 J 1/10W	
R15			RK73GB2A102J	CHIP R 1.0K J 1/10W		R163			RK73GB2A472J	CHIP R 4.7K J 1/10W	
R17			RK73GB2A102J	CHIP R 1.0K J 1/10W		R164			RK73GB2A222J	CHIP R 2.2K J 1/10W	
R19			RK73GB2A472J	CHIP R 4.7K J 1/10W		R201			RK73EB2E470J	CHIP R 47 J 1/4W	
R20,21			RK73GB2A101J	CHIP R 100 J 1/10W		R202,203			RK73EB2E472J	CHIP R 4.7K J 1/4W	
R22			RK73GB2A473J	CHIP R 47K J 1/10W		R204			RK73EB2E4R7J	CHIP R 4.7 J 1/4W	
R23			RK73GB2A102J	CHIP R 1.0K J 1/10W		R205			RK73EB2E222J	CHIP R 2.2K J 1/4W	
R25			RK73GB2A473J	CHIP R 47K J 1/10W		R206			RK73EB2E100J	CHIP R 10 J 1/4W	
R26			RK73GB2A473J	CHIP R 47K J 1/10W	M2M3	R207			RK73EB2E102J	CHIP R 1.0K J 1/4W	
R27,28			RK73GB2A473J	CHIP R 47K J 1/10W	K1	R208			RK73EB2E222J	CHIP R 2.2K J 1/4W	
R29			RK73GB2A473J	CHIP R 47K J 1/10W	M2M3	R209			RK73EB2E101J	CHIP R 100 J 1/4W	
R30			RK73GB2A102J	CHIP R 1.0K J 1/10W		R210			RK73EB2E100J	CHIP R 10 J 1/4W	
R31			RK73GB2A101J	CHIP R 100 J 1/10W		R211			RK73EB2E101J	CHIP R 100 J 1/4W	
R32			RK73GB2A102J	CHIP R 1.0K J 1/10W		R212			RK73FB2B102J	CHIP R 1.0K J 1/8W	
R34-36			RK73GB2A102J	CHIP R 1.0K J 1/10W		R221,222			RK73GB2A101J	CHIP R 100 J 1/10W	
R37			RK73GB2A222J	CHIP R 2.2K J 1/10W		R223			RK73GB2A104J	CHIP R 100K J 1/10W	
R38			RK73GB2A104J	CHIP R 100K J 1/10W		R231			RK73GB2A181J	CHIP R 180 J 1/10W	
R39			RK73GB2A473J	CHIP R 47K J 1/10W		R232			RK73GB2A332J	CHIP R 3.3K J 1/10W	
R40			RK73GB2A104J	CHIP R 100K J 1/10W		R233			RK73GB2A183J	CHIP R 18K J 1/10W	
R41			RK73GB2A473J	CHIP R 47K J 1/10W		R234			RK73GB2A222J	CHIP R 2.2K J 1/10W	
R42,43			RK73GB2A101J	CHIP R 100 J 1/10W		R235			RK73GB2A102J	CHIP R 1.0K J 1/10W	
R44-46			RK73GB2A472J	CHIP R 4.7K J 1/10W		R236			RK73GB2A222J	CHIP R 2.2K J 1/10W	
R48			RK73GB2A473J	CHIP R 47K J 1/10W		R237			RK73GB2A473J	CHIP R 47K J 1/10W	
R49			RK73GB2A472J	CHIP R 4.7K J 1/10W		R238			RK73GB2A222J	CHIP R 2.2K J 1/10W	
R50			RK73GB2A102J	CHIP R 1.0K J 1/10W		R239,240			RK73GB2A473J	CHIP R 47K J 1/10W	
R51,52			RK73GB2A101J	CHIP R 100 J 1/10W		R271,272			RK73EB2E101J	CHIP R 100 J 1/4W	
R53			RK73GB2A472J	CHIP R 4.7K J 1/10W		R273,274			RK73GB2A223J	CHIP R 22K J 1/10W	
R54			RK73GB2A102J	CHIP R 1.0K J 1/10W		R275,276			RK73GB2A471J	CHIP R 470 J 1/10W	
R56			RK73GB2A102J	CHIP R 1.0K J 1/10W		R277			RK73GB2A102J	CHIP R 1.0K J 1/10W	
R57			RK73GB2A473J	CHIP R 47K J 1/10W		R281,282			RK73EB2E101J	CHIP R 100 J 1/4W	
R58			R92-1252-05	CHIP R 0 OHM J 1/16W		R283,284			RK73GB2A223J	CHIP R 22K J 1/10W	
R89,90			RK73GB2A621J	CHIP R 620 J 1/10W		R285,286			RK73GB2A471J	CHIP R 470 J 1/10W	
R101			RK73GB2A103J	CHIP R 10K J 1/10W		R287			RK73GB2A102J	CHIP R 1.0K J 1/10W	
R102-104			R92-1252-05	CHIP R 0 OHM J 1/16W		R291			RK73GB2A473J	CHIP R 47K J 1/10W	
R105,106			RK73GB2A101J	CHIP R 100 J 1/10W		R292			RK73GB2A471J	CHIP R 470 J 1/10W	
R109,110			RK73GB2A361J	CHIP R 360 J 1/10W		R293			RK73GB2A473J	CHIP R 47K J 1/10W	
R132			RK73GB2A823J	CHIP R 82K J 1/10W		R294			RK73GB2A471J	CHIP R 470 J 1/10W	
R133,134			RK73GB2A473J	CHIP R 47K J 1/10W		R295			RK73GB2A473J	CHIP R 47K J 1/10W	
R135			RK73GB2A823J	CHIP R 82K J 1/10W		R296			RK73GB2A471J	CHIP R 470 J 1/10W	
R141			RK73GB2A473J	CHIP R 47K J 1/10W		R297,298			RK73GB2A104J	CHIP R 100K J 1/10W	
R142			RK73GB2A363J	CHIP R 36K J 1/10W		R299			RK73GB2A222J	CHIP R 2.2K J 1/10W	
R143			RK73GB2A912J	CHIP R 9.1K J 1/10W		R301			RK73EB2E100J	CHIP R 10 J 1/4W	
R144			RK73GB2A622J	CHIP R 6.2K J 1/10W		R302-308			RK73GB2A473J	CHIP R 47K J 1/10W	
R145			RK73GB2A134J	CHIP R 130K J 1/10W		R312,313			R92-1252-05	CHIP R 0 OHM J 1/16W	
R146			RK73GB2A823J	CHIP R 82K J 1/10W		R331			RK73EB2E100J	CHIP R 10 J 1/4W	
R147			RK73GB2A682J	CHIP R 6.8K J 1/10W		R332			RK73EB2E4R7J	CHIP R 4.7 J 1/4W	
R148			RK73GB2A332J	CHIP R 3.3K J 1/10W		R333			RK73EB2E100J	CHIP R 10 J 1/4W	
R149			RK73GB2A392J	CHIP R 3.9K J 1/10W		R334			RK73FB2B102J	CHIP R 1.0K J 1/8W	
R150,151			RK73GB2A104J	CHIP R 100K J 1/10W		R351,352			RS14DB2H100J	FL-PROOF RS 10 J 1/2W	
R152,153			RK73GB2A103J	CHIP R 10K J 1/10W		R353			RK73GB2A471J	CHIP R 470 J 1/10W	
R154,155			RK73GB2A222J	CHIP R 2.2K J 1/10W		R354			RK73GB2A473J	CHIP R 47K J 1/10W	

K1 : DPX-MP4070 M2 : DPX-MP4070 M3 : DPX-MP4070B  
 (E : Europe K : North America M : Other Areas W : Without Europe)

△ Indicates safety critical components.

# DPX-MP4070/MP4070B

## PARTS LIST

### MAIN UNIT

Ref. No.	A d d	N e w	Parts No.	Description	Desti- nation
R355			RK73GB2A471J	CHIP R 470 J 1/10W	
R356			RK73GB2A473J	CHIP R 47K J 1/10W	
R357			RK73GB2A471J	CHIP R 470 J 1/10W	
R358			RK73GB2A473J	CHIP R 47K J 1/10W	
R359			RK73GB2A121J	CHIP R 120 J 1/10W	
R360			RK73EB2E101J	CHIP R 100 J 1/4W	
R371			RK73GB2A473J	CHIP R 47K J 1/10W	
R374			RK73GB2A104J	CHIP R 100K J 1/10W	
R622			RK73GB2A473J	CHIP R 47K J 1/10W	
R623			RK73GB2A333J	CHIP R 33K J 1/10W	
R625			RK73GB2A432J	CHIP R 4.3K J 1/10W	
R626			RK73GB2A223J	CHIP R 22K J 1/10W	
R627			RK73GB2A221J	CHIP R 220 J 1/10W	
R629			R92-1252-05	CHIP R 0 OHM J 1/16W	
R631			RK73GB2A100J	CHIP R 10 J 1/10W	
R802			RK73GB2A223J	CHIP R 22K J 1/10W	
R803,804			R90-1044-08	FL-PROOF RS 1.2K J 1/2W	
R805			RK73GB2A472J	CHIP R 4.7K J 1/10W	
R806			RK73GB2A223J	CHIP R 22K J 1/10W	
R807,808			RD14DB2H102J	SMALL-RD 1.0K J 1/2W	
R809			RK73GB2A472J	CHIP R 4.7K J 1/10W	
R810			RK73GB2A203J	CHIP R 20K J 1/10W	
R811			RK73GB2A683J	CHIP R 68K J 1/10W	
R812			RK73GB2A393J	CHIP R 39K J 1/10W	
R813			RK73GB2A104J	CHIP R 100K J 1/10W	
R814,815			RK73GB2A103J	CHIP R 10K J 1/10W	
R816			RK73GB2A474J	CHIP R 470K J 1/10W	
R817			RK73GB2A101J	CHIP R 100 J 1/10W	
R818			RK73GB2A103J	CHIP R 10K J 1/10W	
R819			RK73GB2A104J	CHIP R 100K J 1/10W	
R820			RK73EB2E333J	CHIP R 33K J 1/4W	
R821			RD14DB2H332J	SMALL-RD 3.3K J 1/2W	
R822			RK73GB2A103J	CHIP R 10K J 1/10W	
R823			RK73GB2A104J	CHIP R 100K J 1/10W	
R824			RK73EB2E103J	CHIP R 10K J 1/4W	
R825			RK73GB2A104J	CHIP R 100K J 1/10W	
R826			RK73GB2A561J	CHIP R 560 J 1/10W	
R827			RK73EB2E102J	CHIP R 1.0K J 1/4W	
R828			RK73GB2A104J	CHIP R 100K J 1/10W	
R829			RK73GB2A473J	CHIP R 47K J 1/10W	
R830			RK73EB2E103J	CHIP R 10K J 1/4W	
R851-854			RK73EB2B0R1J	CHIP R 0.1 J 1/8W	
R855			RK73EB2E471J	CHIP R 470 J 1/4W	
R856			RK73FB2B102J	CHIP R 1.0K J 1/8W	
R857		*	R92-5049-08	FL-PROOF RS 2.7 J 1/2W	
R858			RK73GB2A223J	CHIP R 22K J 1/10W	
R859			RK73GB2A152J	CHIP R 1.5K J 1/10W	
R860			RK73GB2A103J	CHIP R 10K J 1/10W	
R861			RK73GB2A102J	CHIP R 1.0K J 1/10W	
R862,863			RK73GB2A471J	CHIP R 470 J 1/10W	
R864			RK73GB2A274J	CHIP R 270K J 1/10W	
R865			RD14DB2H102J	SMALL-RD 1.0K J 1/2W	
R866			RK73GB2A103J	CHIP R 10K J 1/10W	
RN1			R90-0725-05	MULTI-COMP 1K X2	
RN3,4			R90-0725-05	MULTI-COMP 1K X2	

Ref. No.	A d d	N e w	Parts No.	Description	Desti- nation
RN5			R90-1043-08	MULTI-COMP 4.7K X2	
RN6-8			R90-0725-05	MULTI-COMP 1K X2	
RN9			R90-1043-08	MULTI-COMP 4.7K X2	
RN10			R90-1042-08	MULTI-COMP 4.7K X4	
RN11-13			R90-0724-05	MULTI-COMP 1K X4	
RN14			R90-0725-05	MULTI-COMP 1K X2	
RN15		*	R90-1550-08	MULTI-COMP 10K X4	
RN16,17			R90-0725-05	MULTI-COMP 1K X2	
RN18			R90-1071-08	MULTI-COMP 47 X2	
RN201			R90-0720-05	MULTI-COMP 100K X4	
RN351			R90-0723-05	MULTI-COMP 47K X2	
D1			1SS400	DIODE	
D101			1SS400	DIODE	
D201			HZM6.2ZWA	ZENER DIODE	
D203-206			HZM6.2ZWA	ZENER DIODE	
D207			MTZJ6.8B	ZENER DIODE	
D271-273			HZM6.2ZWA	ZENER DIODE	
D274			DAP202U	DIODE	
D277			DAP202U	DIODE	
D281-283			HZM6.2ZWA	ZENER DIODE	
D284			DAP202U	DIODE	
D331-333			MTZJ6.8B	ZENER DIODE	
D351		*	MAZ80390LL	ZENER DIODE	
D352			1SR139-400	DIODE	
D602			DAP202U	DIODE	
D611-614			1SR154-400	DIODE	
D621-624			1SR154-400	DIODE	
D801			RM10Z	DIODE	
D803-806			1SR154-400	DIODE	
D807			1SS400	DIODE	
D808,809			MA8068-M	ZENER DIODE	
D810			1SS400	DIODE	
D811			MA8068-M	ZENER DIODE	
D812,813			MA8056-M	ZENER DIODE	
D814			MA8056-M	ZENER DIODE	
D815			MA8082-L	ZENER DIODE	
D816		*	MAZ82200LL	ZENER DIODE	
D817			MA8082-H	ZENER DIODE	
D818			MA8056-M	ZENER DIODE	
D819			MA8120-L	ZENER DIODE	
D820			SB040	DIODE	
DSP221			DSP-201M-S00B	SURGE ABSORBER	
IC1		*	MN101C49KWG	MICROCONTROLLER IC	
IC2			PST3438UL	ANALOGUE IC	
IC3			HD74HC27FP-E	MOS-IC	
IC5			BR24C01AF	ROM IC	
IC12			LC72135M	MOS-IC	
IC101			E-TDA7414	ANALOGUE IC	
IC103			NJM2195FJ1	ANALOGUE IC	
IC104			TC7W66FK-F	MOS-IC	
IC301			BA3131FS	ANALOGUE IC	
IC351			BA6219BFP-Y	ANALOGUE IC	
IC601		3F	E-TDA7560A	ANALOGUE IC	
Q1			DTA144EUA	DIGITAL TRANSISTOR	

K1 : DPX-MP4070 M2 : DPX-MP4070 M3 : DPX-MP4070B  
(E : Europe K : North America M : Other Areas W : Without Europe)

△ Indicates safety critical components.

## PARTS LIST

### MAIN UNIT

Ref. No.	Add	New	Parts No.	Description	Destination
Q5			DTB123YK	DIGITAL TRANSISTOR	
Q101			DTC144EUA	DIGITAL TRANSISTOR	
Q141			DTC124EUA	DIGITAL TRANSISTOR	
Q221			2SK536	FET	
Q222			DTC124EUA	DIGITAL TRANSISTOR	
Q271,272			DTC143TUA	DIGITAL TRANSISTOR	
Q277			DTA124EUA	DIGITAL TRANSISTOR	
Q281,282			DTC143TUA	DIGITAL TRANSISTOR	
Q287			DTA124EUA	DIGITAL TRANSISTOR	
Q802			DTC114YUA	DIGITAL TRANSISTOR	
Q803			DTA114EUA	DIGITAL TRANSISTOR	
Q804			2SA1576A	TRANSISTOR	
Q805			2SB1277 (Q,R)	TRANSISTOR	
Q806			DTC114YUA	DIGITAL TRANSISTOR	
Q807			2SB1277 (Q,R)	TRANSISTOR	
Q808			2SA1576A	TRANSISTOR	
Q809,810			2SC4081	TRANSISTOR	
Q811			DTC144EUA	DIGITAL TRANSISTOR	
Q812			DTA123JK	DIGITAL TRANSISTOR	
Q813			2SC4081	TRANSISTOR	
Q851			IMD3AL	DIGITAL TRANSISTOR	
Q852			2SC4081	TRANSISTOR	
Q853,854			2SB1548 (P)	TRANSISTOR	
Q855			2SC4081	TRANSISTOR	
Q856			2SB1184	TRANSISTOR	
Q857			2SC4081	TRANSISTOR	
Q858			2SB1548 (P)	TRANSISTOR	
Q859			DTC124EUA	DIGITAL TRANSISTOR	
Q860			DTB123YK	DIGITAL TRANSISTOR	
Q861			2SC4081	TRANSISTOR	
Q862			2SA1703 (R,S,T)	TRANSISTOR	
Q863			2SC4081	TRANSISTOR	
Q864			2SB1548 (P)	TRANSISTOR	
Q865			IMD2A	DIGITAL TRANSISTOR	
Q866			2SC4081	TRANSISTOR	
Q867			2SB1184	TRANSISTOR	
Q868			DTC114YUA	DIGITAL TRANSISTOR	
Q869			2SA1703 (R,S,T)	TRANSISTOR	
Q870			IMD3AL	DIGITAL TRANSISTOR	
TU221		*	W02-5015-08	TUNER ASSY	
<b>EQUALIZER UNIT</b>					
C250A,B			CC73GCH1H471J	CHIP C 470PF J	
C252A,B			CC73GCH1H471J	CHIP C 470PF J	
C254A,B			CC73GCH1H100D	CHIP C 10PF D	
C255A,B			CC73GCH1H100D	CHIP C 10PF D	
C256A,B			CK73GB1H103K	CHIP C 0.010UF K	
C257			CE04CW1C220M	ELECTRO 22UF 16WV	
C258A,B			CK73GB1H102K	CHIP C 1000PF K	
C259A,B			C90-5694-08	ELECTRO 0.1UF 50WV	
C260			CE04CW1C220M	ELECTRO 22UF 16WV	
C261A,B			CK73GB1H104K	CHIP C 0.10UF K	
C262A,B			C90-2600-05	NP-ELEC 2.2UF 35WV	
C263			C93-1366-08	CERAMIC 0.47UF K	
C264			CK73GB1H472K	CHIP C 4700PF K	

Ref. No.	Add	New	Parts No.	Description	Destination
C265			CK73GB1H104K	CHIP C 0.10UF K	
C266			C93-1365-08	CERAMIC 2.2UF Z	
CN250			E41-2135-08	FLAT CABLE CONNECTOR	
CN251		*	E41-2275-08	FLAT CABLE CONNECTOR	
R250A,B			RK73GB2A104J	CHIP R 100K J 1/10W	
R251A,B			RK73GB2A104J	CHIP R 100K J 1/10W	
R252A,B			RK73GB2A101J	CHIP R 100 J 1/10W	
R253A,B			RK73GB2A101J	CHIP R 100 J 1/10W	
R254A,B			RK73GB2A181J	CHIP R 180 J 1/10W	
R255A,B			RK73GB2A101J	CHIP R 100 J 1/10W	
R256			RK73GB2A223J	CHIP R 22K J 1/10W	
R257			RK73GB2A100J	CHIP R 10 J 1/10W	
R258			RK73GB2A392J	CHIP R 3.9K J 1/10W	
R259			RK73GB2A513J	CHIP R 51K J 1/10W	
R260			RK73GB2A224J	CHIP R 220K J 1/10W	
R261			R92-1252-05	CHIP R 0 OHM J 1/16W	
R262			RK73GB2A223J	CHIP R 22K J 1/10W	
VR250A,B			R31-0239-08	VARIABLE RESISTOR (10K)	
IC250			CXA2560Q	ANALOGUE IC	
<b>CONTROL UNIT</b>					
D931		*	B30-1715-08	LED	
D941-961		*	B30-1715-08	LED	
D981,982			B30-1599-05	LED	
LCD901	2G	*	B38-1162-08	LCD	
C902			CK73GB1H104K	CHIP C 0.10UF K	
C903			CK73GB1H681K	CHIP C 680PF K	
C904-906			CK73GB1H104K	CHIP C 0.10UF K	
C907			CK73GB1H103K	CHIP C 0.010UF K	
C922			C90-5327-08	CHIP-TAN 10UF K	
C931-933			CK73GB1H103K	CHIP C 0.010UF K	
CN901		*	E59-0844-08	RECTANGULAR PLUG	
R901,902			RK73GB2A102J	CHIP R 1.0K J 1/10W	
R903			RK73GB2A331J	CHIP R 330 J 1/10W	
R904-907			RK73GB2A472J	CHIP R 4.7K J 1/10W	
R908			RK73GB2A433J	CHIP R 43K J 1/10W	
R909			RK73GB2A473J	CHIP R 47K J 1/10W	
R910			RK73GB2A102J	CHIP R 1.0K J 1/10W	
R911			RK73GB2A100J	CHIP R 10 J 1/10W	
R921			RK73GB2A101J	CHIP R 100 J 1/10W	
R931-933			RK73GB2A102J	CHIP R 1.0K J 1/10W	
R934-937			RK73GB2A472J	CHIP R 4.7K J 1/10W	
R938			RK73GB2A223J	CHIP R 22K J 1/10W	
R939			RK73FB2B271J	CHIP R 270 J 1/8W	
R940-942			RK73FB2B471J	CHIP R 470 J 1/8W	
R943			RK73FB2B621J	CHIP R 620 J 1/8W	
R944-946			RK73FB2B471J	CHIP R 470 J 1/8W	
R951,952			RK73EB2E431J	CHIP R 430 J 1/4W	
R953,954			RK73EB2E561J	CHIP R 560 J 1/4W	
R961,962			RK73EB2E431J	CHIP R 430 J 1/4W	
R963,964			RK73EB2E561J	CHIP R 560 J 1/4W	
R965			RK73FB2B102J	CHIP R 1.0K J 1/8W	

**K1** : DPX-MP4070 **M2** : DPX-MP4070 **M3** : DPX-MP4070B  
**(E** : Europe **K** : North America **M** : Other Areas **W** : Without Europe)

△ Indicates safety critical components.

# DPX-MP4070/MP4070B

## PARTS LIST

### CONTROL UNIT

Ref. No.	Add	New	Parts No.	Description	Destination
RN901,902			R90-0724-05	MULTI-COMP 1K X4	
D905			MA8082-H	ZENER DIODE	
D907,908			DAN202U	DIODE	
IC901			LC75808W	MOS-IC	
IC921		*	TSOP4840SB1	ANALOGUE IC	
Q901			DTA124EUA	DIGITAL TRANSISTOR	
Q903-905			2SC4081	TRANSISTOR	
Q921			DTA124EUA	DIGITAL TRANSISTOR	

### CD PLAYER UNIT (X32-5500-01)

C1,2			CK73GB1H222K	CHIP C 2200PF K	
C3,4			CK73GB0J105K	CHIP C 1.0UF K	
C5			CK73GB1C104K	CHIP C 0.10UF K	
C6			CK73GB1H103K	CHIP C 0.010UF K	
C7-9			CK73GB0J105K	CHIP C 1.0UF K	
C10-15			CK73GB1C104K	CHIP C 0.10UF K	
C16			CK73FB0J475K	CHIP C 4.7UF K	
C17			CK73FB0J106M	CHIP C 10UF M	
C18			CK73GB1C104K	CHIP C 0.10UF K	
C19			CK73FB0J475K	CHIP C 4.7UF K	
C20			CK73GB1C104K	CHIP C 0.10UF K	
C21			CK73GB1H102K	CHIP C 1000PF K	
C22,23			CK73GB0J105K	CHIP C 1.0UF K	
C24-27			CK73GB1C104K	CHIP C 0.10UF K	
C28			CK73FB0J106M	CHIP C 10UF M	
C29			CK73GB1C104K	CHIP C 0.10UF K	
C30			CK73GB1H152K	CHIP C 1500PF K	
C31			CC73GCH1H470J	CHIP C 47PF J	
C32,33			CK73GB1C104K	CHIP C 0.10UF K	
C34			CC73GCH1H560J	CHIP C 56PF J	
C35,36			CK73GB1C104K	CHIP C 0.10UF K	
C37			CK73GB1H102K	CHIP C 1000PF K	
C38			CK73GB1H682K	CHIP C 6800PF K	
C39			CK73GB1C104K	CHIP C 0.10UF K	
C41			CK73GB1A334K	CHIP C 0.33UF K	
C42-45			CK73GB1C104K	CHIP C 0.10UF K	
C46			CK73GB1H682K	CHIP C 6800PF K	
C47			CK73GB1C104K	CHIP C 0.10UF K	
C48			CC73GCH1H040C	CHIP C 4.0PF C	
C49			CK73GB1H332K	CHIP C 3300PF K	
C50			CK73GB1C104K	CHIP C 0.10UF K	
C51			CC73GCH1H330J	CHIP C 33PF J	
C52			CK73FB1A225K	CHIP C 2.2UF K	
C53			CK73GB0J105K	CHIP C 1.0UF K	
C54,55			CK73GB1H103K	CHIP C 0.010UF K	
C56,57			CK73GB1H331K	CHIP C 330PF K	
C58			CK73GB1H472K	CHIP C 4700PF K	
C59-63			CK73GB1H152K	CHIP C 1500PF K	
C64			CK73GB1C104K	CHIP C 0.10UF K	
C66			CC73GCH1H120J	CHIP C 12PF J	
C67			CC73GCH1H180J	CHIP C 18PF J	
C68			CK73GB1H103K	CHIP C 0.010UF K	
C69			CK73FB1A225K	CHIP C 2.2UF K	
C70			CK73FB1A105K	CHIP C 1.0UF K	
C71			CK73FB0J106M	CHIP C 10UF M	

Ref. No.	Add	New	Parts No.	Description	Destination
C72			CK73GB1H102K	CHIP C 1000PF K	
CN1			E41-2083-05	FLAT CABLE CONNECTOR	
CN2			E41-2068-05	FLAT CABLE CONNECTOR	
CN2			E41-2085-15	FLAT CABLE CONNECTOR	
L1,2			L92-0386-05	CHIP FERRITE	
X1			L77-2808-05	CRYSTAL RESONATOR (16.897849MHZ)	
X2			L78-0896-05	RESONATOR (16.00MHZ)	
CP1			RK74GA1J104J	CHIP-COM 100K J 1/16W	
CP2,3			RK74GA1J101J	CHIP-COM 100 J 1/16W	
CP4			RK74GA1J103J	CHIP-COM 10K J 1/16W	
CP5			RK74GA1J102J	CHIP-COM 1.0K J 1/16W	
CP6			RK74GA1J104J	CHIP-COM 100K J 1/16W	
CP7			RK74GB1J102J	CHIP-COM 1.0K J 1/16W	
CP8			RK74GA1J102J	CHIP-COM 1.0K J 1/16W	
CP9			RK74GB1J101J	CHIP-COM 100 J 1/16W	
CP10			RK74GB1J103J	CHIP-COM 10K J 1/16W	
CP11			RK74GB1J472J	CHIP-COM 4.7K J 1/16W	
CP12			RK74GA1J104J	CHIP-COM 100K J 1/16W	
CP13,14			RK74GB1J104J	CHIP-COM 100K J 1/16W	
CP15			RK74GA1J104J	CHIP-COM 100K J 1/16W	
CP16			RK74GB1J222J	CHIP-COM 2.2K J 1/16W	
R1			RK73GB2A100J	CHIP R 10 J 1/10W	
R2			R92-3494-05	CHIP R 5.6 F 1/2W	
R3,4			RK73FB2B331J	CHIP R 330 J 1/8W	
R5			RK73GB2A101J	CHIP R 100 J 1/10W	
R6			RN73GH1J223D	CHIP R 22K D 1/16W	
R7			RK73GB2A104J	CHIP R 100K J 1/10W	
R8			RN73GH1J393D	CHIP R 39K D 1/16W	
R9			RK73GB2A104J	CHIP R 100K J 1/10W	
R10			RK73GB2A101J	CHIP R 100 J 1/10W	
R11,12			RK73GB2A104J	CHIP R 100K J 1/10W	
R13			RK73GB2A102J	CHIP R 1.0K J 1/10W	
R14-17			RK73GB2A104J	CHIP R 100K J 1/10W	
R18			RK73GB2A101J	CHIP R 100 J 1/10W	
R21-23			RK73GB2A103J	CHIP R 10K J 1/10W	
R24,25			RK73GB2A4R7J	CHIP R 4.7 J 1/10W	
R27			RK73GB2A104J	CHIP R 100K J 1/10W	
R28			RK73GB2A103J	CHIP R 10K J 1/10W	
R29			RK73GB2A102J	CHIP R 1.0K J 1/10W	
R31-33			RK73GB2A104J	CHIP R 100K J 1/10W	
R34			RK73GB2A472J	CHIP R 4.7K J 1/10W	
R35			RK73GB2A104J	CHIP R 100K J 1/10W	
R36			RK73FB2B4R7J	CHIP R 4.7 J 1/8W	
R37			RK73GB2A103J	CHIP R 10K J 1/10W	
R38			RK73GB2A221J	CHIP R 220 J 1/10W	
R39			RK73GB2A152J	CHIP R 1.5K J 1/10W	
R40			RK73GB2A274J	CHIP R 270K J 1/10W	
R42			RK73GB2A101J	CHIP R 100 J 1/10W	
R43			RK73GB2A393J	CHIP R 39K J 1/10W	
R44,45			RK73GB2A302J	CHIP R 3.0K J 1/10W	
R46			RK73GB2A105J	CHIP R 1.0M J 1/10W	
R47			RK73GB2A104J	CHIP R 100K J 1/10W	
R48,49			RK73GB2A331J	CHIP R 330 J 1/10W	

K1 : DPX-MP4070 M2 : DPX-MP4070 M3 : DPX-MP4070B  
 (E : Europe K : North America M : Other Areas W : Without Europe)

△ Indicates safety critical components.

## PARTS LIST

### CD PLAYER UNIT (X32-5500-01)

Ref. No.	Add	New	Parts No.	Description	Destination
R50			RK73GB2A101J	CHIP R 100 J 1/10W	
R51			RK73GB2A392J	CHIP R 3.9K J 1/10W	
R52			RK73GB2A163J	CHIP R 16K J 1/10W	
R53			RK73GB2A123J	CHIP R 12K J 1/10W	
R54			RK73GB2A333J	CHIP R 33K J 1/10W	
R55			RK73GB2A103J	CHIP R 10K J 1/10W	
R56			RK73GB2A123J	CHIP R 12K J 1/10W	
R57,58			RK73GB2A133J	CHIP R 13K J 1/10W	
R59			RK73GB2A472J	CHIP R 4.7K J 1/10W	
R60			RK73GB2A123J	CHIP R 12K J 1/10W	
R61			RK73GB2A183J	CHIP R 18K J 1/10W	
R62			RK73GB2A432J	CHIP R 4.3K J 1/10W	
R63			RK73GB2A133J	CHIP R 13K J 1/10W	
R64			RK73GB2A241J	CHIP R 240 J 1/10W	
R65			RK73GB2A104J	CHIP R 100K J 1/10W	
R66			RK73GB2A472J	CHIP R 4.7K J 1/10W	
R67			RK73GB2A222J	CHIP R 2.2K J 1/10W	
R68,69			RK73GB2A104J	CHIP R 100K J 1/10W	
R70			RK73GB2A102J	CHIP R 1.0K J 1/10W	
S1,2			S68-0863-05	PUSH SWITCH	
S3			S68-0862-05	PUSH SWITCH	
S4			S68-0864-05	PUSH SWITCH	
D2			DA204UF	DIODE	
D3			DAN202UF	DIODE	
IC1			91CW12AFG-5AR1	MICROCONTROLLER IC	
IC2			UPD63712GC	MOS-IC	
IC3			TC94A20F-010	MOS-IC	
IC4			BA5824FP-F	ANALOGUE IC	
IC5			NJM2880U133	ANALOGUE IC	
IC5			NJM2880U33	ANALOGUE IC	
IC6			S-1112B33MCG	ANALOGUE IC	
IC6			XC6219B332MR	ANALOGUE IC	
IC7			S-1112B25MCG	ANALOGUE IC	
IC7			XC6219B252MR	ANALOGUE IC	
IC8			TC7SH08FU	MOS-IC	
IC9			TAR5S33-F	ANALOGUE IC	
Q1			2SK3018F	FET	
Q3			UMD9N	TRANSISTOR	
Q4			2SK3018F	FET	
Q5			UMD9N	TRANSISTOR	
Q6			UMD12N	TRANSISTOR	
Q7			DTC124EUAF	DIGITAL TRANSISTOR	
Q8			2SB0970	TRANSISTOR	
Q9,10			DTC114YUAF	DIGITAL TRANSISTOR	
<b>CD MECHANISM ASSY (X92-4850-03)</b>					
2	1B		A10-4827-32	CHASSIS	
5	1B		D10-4576-83	ARM ASSY	
8	2A		D10-4579-23	LEVER ASSY	
10	2A		D10-4581-13	ARM	
11	2A		D10-4582-13	ARM	
12	3A		D10-4583-03	ARM	
13	3A		D10-4584-03	ARM	
14	3B		D10-4585-03	ARM	

Ref. No.	Add	New	Parts No.	Description	Destination
15	2A		D10-4586-13	SLIDER	
16	3B		D10-4587-52	SLIDER	
17	2B		D10-4588-13	SLIDER	
18	2B		D10-4595-04	ARM	
19	3B		D10-4596-24	ARM	
22	2A		D13-2151-04	GEAR	
23	2B		D13-2152-04	GEAR	
24	3B		D13-2153-04	GEAR	
25	3B		D13-2154-04	GEAR	
26	3B		D13-2155-04	WORM	
27	2B		D13-2156-14	GEAR	
28	3B		D13-2157-04	GEAR	
29	3B		D13-2158-04	GEAR	
30	2B		D13-2168-04	GEAR	
31	3B		D13-2171-04	GEAR	
32	1B		D13-2172-13	RACK (GEAR)	
33	2A		D14-0759-04	ROLLER	
35	2B		D21-2382-04	SHAFT	
36	1A		D23-0954-04	RETAINER	
37	1B		D39-0246-05	DAMPER	
38	2B		G01-3072-04	EXTENSION SPRING	
39	2A		G01-3073-04	TORSION COIL SPRING	
40	2A		G01-3074-04	EXTENSION SPRING	
41	1B		G01-3075-14	EXTENSION SPRING	
42	2A		G01-3076-04	EXTENSION SPRING	
43	1B		G01-3077-14	EXTENSION SPRING	
44	2B		G02-1399-04	FLAT SPRING	
45	2B		G02-1408-04	FLAT SPRING	
51	1A		J21-9676-32	MOUNTING HARDWARE	
52	3B		J21-9677-22	MOUNTING HARDWARE	
53	1B		J21-9678-13	MOUNTING HARDWARE	
55	1A		J90-1001-11	GUIDE	
56	1B		J90-1023-03	GUIDE	
DFPC1	3A		J84-0141-05	FLEXIBLE PRINTED WIRING BOARD	
A	2B		N09-4460-05	TAPTITE SCREW (OVAL P TAPTIT)	
B	1B		N09-4472-15	MACHINE SCREW (M1.7X8.0)	
C	2B		N09-6004-05	MACHINE SCREW (M1.7X2.5 IB-L)	
E	2B		N09-6007-05	MACHINE SCREW (PAN M2X2)	
F	1A		N09-6051-05	TAPTITE SCREW (BIND P 2X5)	
G	2A		N19-2163-04	FLAT WASHER	
H	1B		N39-2020-46	PAN HEAD MACHINE SCREW	
J	1B		N09-6108-05	MACHINE SCREW (M2*3.5TYPE3)	
K	3B		N09-6155-05	SEMS (TAPTITE SCREW) (PT2X6)	
DM1	3B		T42-1066-04	DC MOTOR ASSY (SPINDLE)	
DM2	2B		T42-1067-04	DC MOTOR ASSY (LOADING)	
DPU1	2B		X93-2010-00	OPTICAL PICKUP ASSY	
<b>CASSETTE MECHANISM ASSY (D40-2204-08)</b>					
401	2D	*	A10-5231-08	CHASSIS ASSY	
404	2D		D10-4375-08	SLIDER	
405	3C		D13-1494-08	GEAR	
406	3C		D13-1495-08	GEAR	
407	3C		D13-1496-08	GEAR	

**K1** : DPX-MP4070 **M2** : DPX-MP4070 **M3** : DPX-MP4070B  
**(E** : Europe **K** : North America **M** : Other Areas **W** : Without Europe)

△ Indicates safety critical components.

# DPX-MP4070/MP4070B

## PARTS LIST

### CASSETTE MECHANISM ASSY (D40-2204-08)

Ref. No.	A d d	N e w	Parts No.	Description	Desti- nation	Ref. No.	A d d	N e w	Parts No.	Description	Desti- nation
409	1D		D10-4376-08	ARM							
410	2D		J90-0948-08	GUID							
411	2D		D15-0919-08	PULLEY							
412	2D		D13-1497-08	GEAR							
415	2D		J21-9458-08	MOUNTING HARDWARE							
417	2D		G02-1332-08	FLAT SPRING							
420	2C		D13-1498-08	RACK (GEAR)							
421	1C		D10-4377-08	LEVER							
422	3D		D10-4378-08	LEVER							
423	2C		D10-4379-08	LEVER							
424	1C		D10-4380-08	LEVER							
425	1C		G01-2960-08	TENSION COIL SPRING							
426	3C		D13-1499-08	GEAR							
427	3C		D10-4381-08	ARM							
430	2D		D10-4382-08	ARM ASSY							
431	2D		D10-4383-08	ARM ASSY							
445	2C		J11-0632-08	CLAMPER							
448	3D		D01-0613-08	FLYWHEEL ASSY							
449	3D		D16-0616-08	BELT							
452	1D		D10-4385-08	ARM							
453	1D		J19-4953-08	HOLDER							
454	1C		G11-1861-08	CUSHION							
456	1D		D10-4386-08	ARM ASSY							
457	1D		G01-2962-08	TENSION COIL SPRING							
458	1D		D10-4387-08	SLIDER							
465	2C		B09-0522-08	CAP							
466	2C		G01-2963-08	COMPRESSION COIL SPRING							
467	2C		D03-0314-08	REEL DISK ASSY							
476	2C		J19-5025-08	CORD CLAMPER							
490	3C		J26-4042-08	PRINTED WIRING BOARD ASSY							
494	2C		T95-0245-08	PHOTO COUPLER							
A	3C		N09-4324-08	MACHINE SCREW							
B	2C		N19-2136-08	FLAT WASHER							
C	2D		N09-4325	MACHINE SCREW							
D	2C		N09-4326-08	MACHINE SCREW							
E	2C		N09-4058-08	SEMS (MACHINE SCREW)							
F	2D		N19-2038-08	FLAT WASHER							
G	2C		N19-2136-08	FLAT WASHER							
H	2D		N19-2137-08	FLAT WASHER							
J	3D		N19-2138-08	FLAT WASHER							
K	3D		N09-4327-08	SCREW							
M	3D		N09-4329-08	SCREW							
N	1D		N19-2139-08	FLAT WASHER							
CM1	1C		T42-1002-08	MOTOR ASSY (MAIN)							
CM2	1C	*	T42-1316-08	MOTOR ASSY (SUB)							
HD1	2D		T31-0226-08	PLAYBACK HEAD							

K1 : DPX-MP4070 M2 : DPX-MP4070 M3 : DPX-MP4070B  
(E : Europe K : North America M : Other Areas W : Without Europe)

△ Indicates safety critical components.