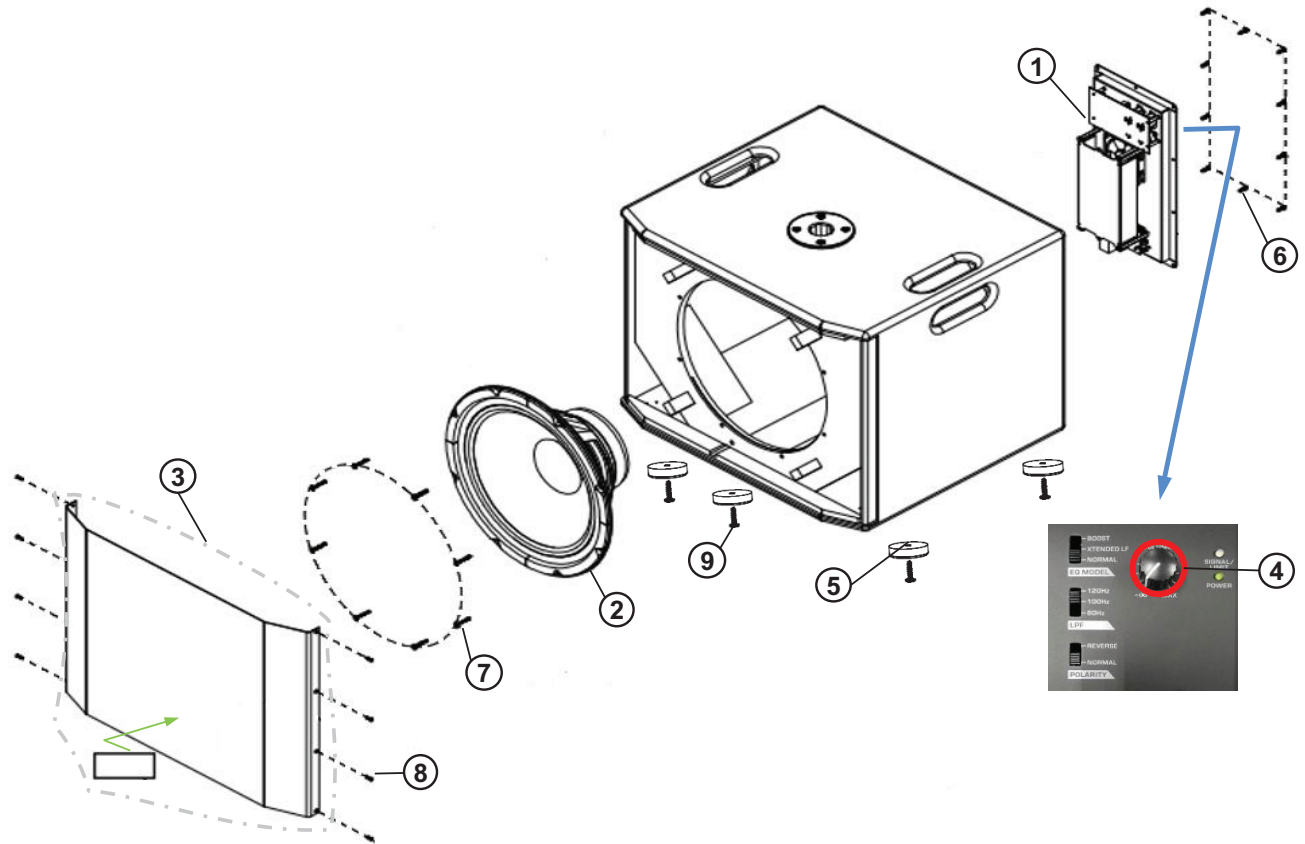


## EXTERIOR SECTION(XPRS1152S, XPRS1182S)



## EXTERIOR SECTION(XPRS1152S, XPRS1182S) PARTS LIST

Mark	No.	Description	Part No.	Remarks
!	1	AMP MODULE	See Contrast table (2)	Rear panel and cushions included
	2	WOOFER	See Contrast table (2)	Cushions included
	3	PUNCHING NET ASSY	See Contrast table (2)	Badges and cushions included
	4	KNOB	PJ01902	
	5	RUBBER FOOT	NI02426	
	6	SCREW	MG01030	for AMP MODULE
	7	SCREW	MG01370	for WOOFER
	8	SCREW	MG01372	for PUNCHING NET ASSY
	9	SCREW	MG01122	for RUBBER FOOT

## (2) CONTRAST TABLE

Mark	No.	Description	XPRS1152S/CMXEG, /YXEG	XPRS1182S/CMXEG, /YXEG
!	1	AMP MODULE	PJ01925	PJ01926
	2	WOOFER	PJ01928	PJ01929
	3	PUNCHING NET ASSY	PJ01930	PJ01931