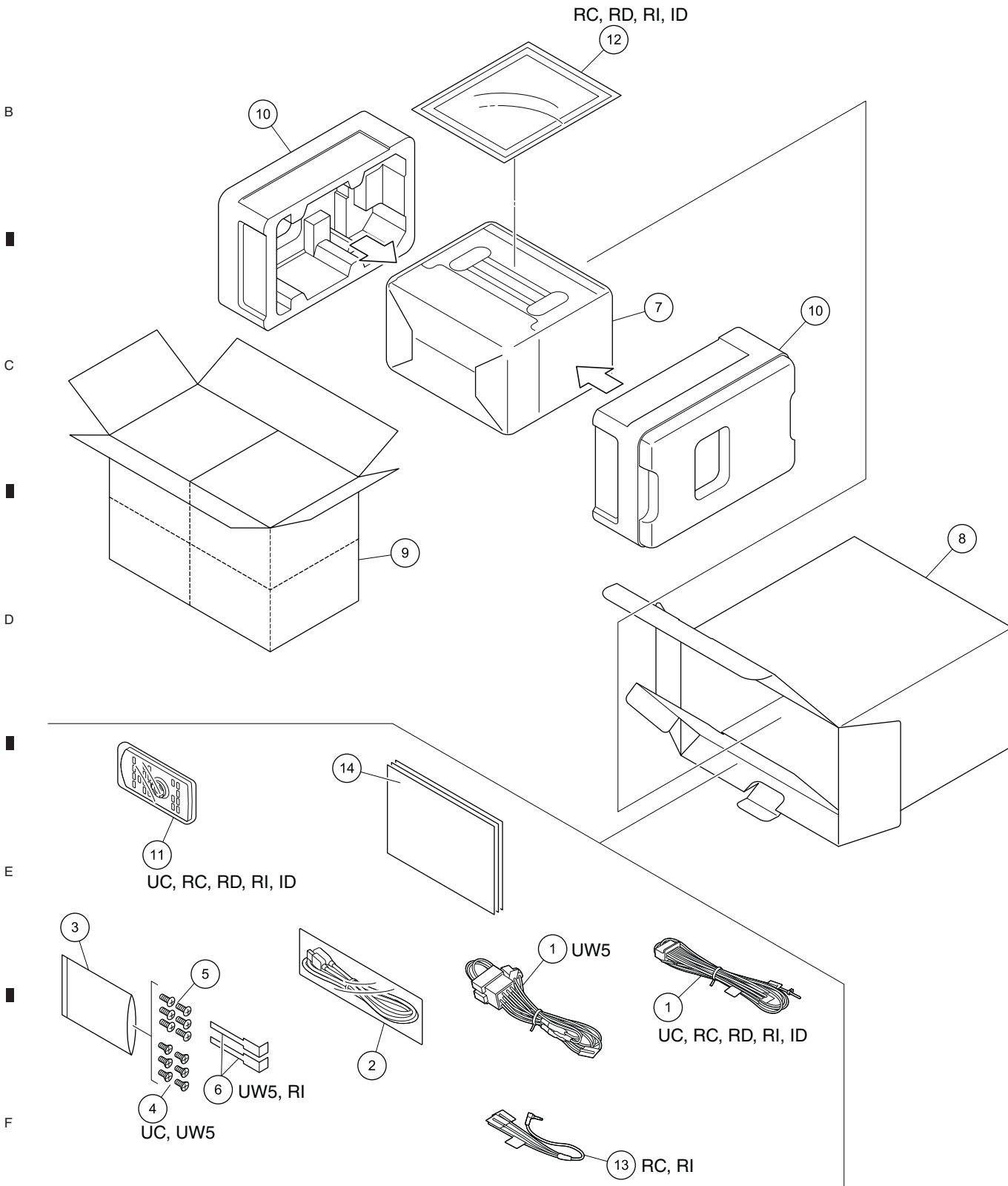


# 9. EXPLODED VIEWS AND PARTS LIST

- NOTES :**
- Parts marked by "\*" are generally unavailable because they are not in our Master Spare Parts List.
  - The ⚠ mark found on some component parts indicates the importance of the safety factor of the part. Therefore, when replacing, be sure to use parts of identical designation.
  - Screw adjacent to ▽ mark on the product are used for disassembly.
  - For the applying amount of lubricants or glue, follow the instructions in this manual.  
(In the case of no amount instructions, apply as you think it appropriate.)

## 9.1 PACKING



**(1) PACKING SECTION PARTS LIST**

<u>Mark No.</u>	<u>Description</u>	<u>Part No.</u>	<u>Mark No.</u>	<u>Description</u>	<u>Part No.</u>
1	Cord Assy	See Contrast table (2)	10	Protector	See Contrast table (2)
2	USB Extended Cable	CDP1587			
3	Polyethylene Bag	CEG1160	11	Card Remote Control Unit	See Contrast table (2)
4	Screw	See Contrast table (2)	12	Panel	See Contrast table (2)
5	Screw	TRZ50P080FTC	13	Cord Assy	See Contrast table (2)
			14-1	Owner's Manual	See Contrast table (2)
6	Handle	See Contrast table (2)	*	14-2 Warranty Card	See Contrast table (2)
7	Cover	See Contrast table (2)			
8	Unit Box	See Contrast table (2)	*	14-3 Service Network	See Contrast table (2)
9	Contain Box	See Contrast table (2)			

**(2) CONTRAST TABLE**

AVH-X1700S/XNUC, AVH-X1700DVD/XNUW5, AVH-X1750DVD/XNRC, AVH-X1750DVD/XNRD, AVH-X1750DVD/XNRI and AVH-X1790DVD/XNID are constructed the same except for the following:

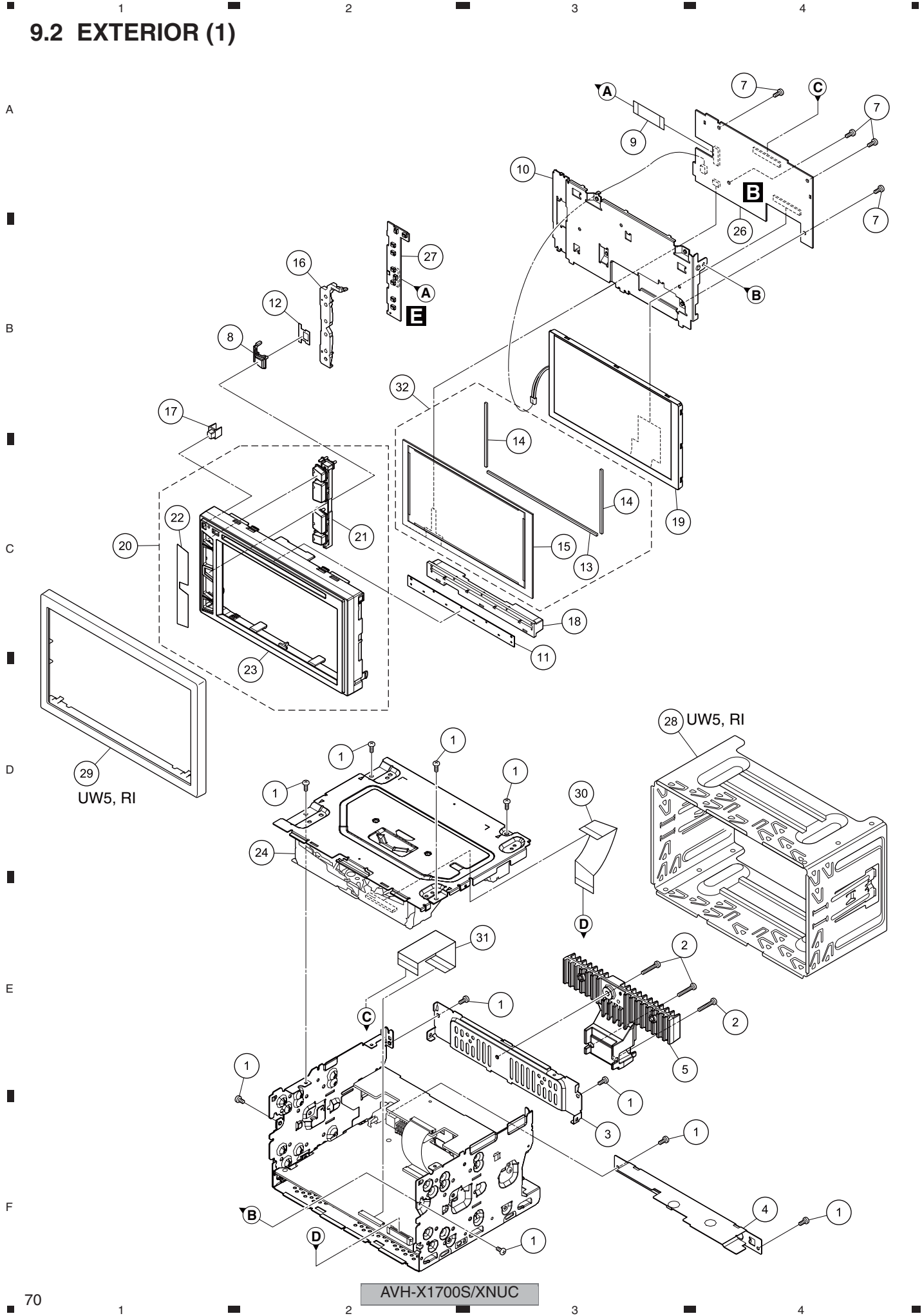
Mark	No.	Description	AVH-X1700S/ XNUC	AVH-X1700DVD/ XNUW5	AVH-X1750DVD/ XNRC	AVH-X1750DVD/ XNRD
	1	Cord Assy	CDP1665	CDP1670	CDP1665	CDP1665
	4	Screw	CRZ50P090FTC	CRZ50P090FTC	Not used	Not used
	6	Handle	Not used	CND6289	Not used	Not used
	7	Cover	CEG1359	CEG1356	CEG1356	CEG1356
	8	Unit Box	CHG8708	CHG8716	CHG8709	CHG8710
	9	Contain Box	CHL8708	CHL8716	CHL8709	CHL8710
	10	Protector	CHP4598	CHP4599	CHP4598	CHP4598
	11	Card Remote Control Unit	CXE5116	Not used	CXE5116	CXE5116
	12	Panel	Not used	Not used	CNS9475	CNS9475
	13	Cord Assy	Not used	Not used	CDP1655	Not used
	14-1	Owner's Manual	CRD4822	CRB4450	CRD4823	CRD4824
*	14-2	Warranty Card	QRY3001	CRY1376	Not used	Not used
*	14-3	Service Network	Not used	Not used	Not used	Not used

Mark	No.	Description	AVH-X1750DVD/ XNRI	AVH-X1790DVD/ XNID
	1	Cord Assy	CDP1665	CDP1665
	4	Screw	Not used	Not used
	6	Handle	CND6289	Not used
	7	Cover	CEG1356	CEG1356
	8	Unit Box	CHG8717	CHG8711
	9	Contain Box	CHL8717	CHL8711
	10	Protector	CHP4599	CHP4598
	11	Card Remote Control Unit	CXE5116	CXE5116
	12	Panel	CNS9475	CNS9475
	13	Cord Assy	CDP1655	Not used
	14-1	Owner's Manual	CRD4825	CRB4451
*	14-2	Warranty Card	Not used	CRY1304
*	14-3	Service Network	Not used	CRY1305

**Owner's Manual, Installation Manual**

Part No.	Language
CRD4822	English, French, Spanish(Espanol)
CRD4823	English, Traditional Chinese
CRD4824	English, Spanish(Espanol), Portuguese(B)
CRD4825	English, Arabic, Persian
CRB4450	Russian
CRB4451	English

# 9.2 EXTERIOR (1)



AVH-X1700S/XNUC

**(1) EXTERIOR (1) SECTION PARTS LIST**

<u>Mark No.</u>	<u>Description</u>	<u>Part No.</u>	<u>Mark No.</u>	<u>Description</u>	<u>Part No.</u>
1	Screw	BSZ26P060FTC	17	Lighting Conductor	CNW3303
2	Screw	BSZ26P120FTC	18	Holder	CNW3304
3	Holder	CND7211	19	TFT LCD	CWX4348
4	Holder	CND7212	20	Grille Assy	See Contrast table (2)
5	Heat Sink	CNR2170			
6	.....		21	Button	CAI4447
7	Screw	BSZ26P060FTC	22	Plate	CNN4857
8	Button (HOME)	CAI4448	23	Grille	See Contrast table (2)
9	FFC	CDE9768	24	DVD Mechanism Module (LS2.5)	CXK8100
10	Holder	CND7198	25	.....	
11	Cover	CNN4865	26	Service Unit (Monitor)	CXX7273
12	Sheet	CNN4864	27	Service Unit (Keyboard)	CXX7275
13	Cushion	CNN4273	28	Holder	See Contrast table (2)
14	Cushion	CNN4964	29	Panel	See Contrast table (2)
15	Touch Panel	CSX1234	30	FFC	CDD1069
16	Lighting Conductor	CNW3302	31	FFC	CDD1071
			32	Touch Panel Unitl	CXE7987

**(2) CONTRAST TABLE**

AVH-X1700S/XNUC, AVH-X1700DVD/XNUW5, AVH-X1750DVD/XNRC, AVH-X1750DVD/XNRD, AVH-X1750DVD/XNRI and AVH-X1790DVD/XNID are constructed the same except for the following:

Mark	No.	Description	AVH-X1700S/ XNUC	AVH-X1700DVD/ XNUW5	AVH-X1750DVD/ XNRC	AVH-X1750DVD/ XNRD
	20	Grille Assy	CXE7709	CXE7708	CXE7710	CXE7710
	23	Grille	CNU2904	CNU2903	CNU2905	CNU2905
	28	Holder	Not used	CND7102	Not used	Not used
	29	Panel	Not used	CNU2645	Not used	Not used

Mark	No.	Description	AVH-X1750DVD/ XNRI	AVH-X1790DVD/ XNID
	20	Grille Assy	CXE7710	CXE7711
	23	Grille	CNU2905	CNU2906
	28	Holder	CND7102	Not used
	29	Panel	CNU2645	Not used

# 9.3 EXTERIOR (2)

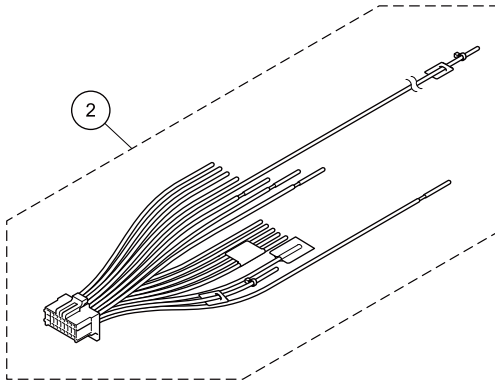
1

2

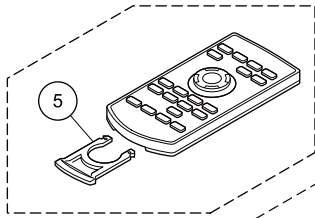
3

4

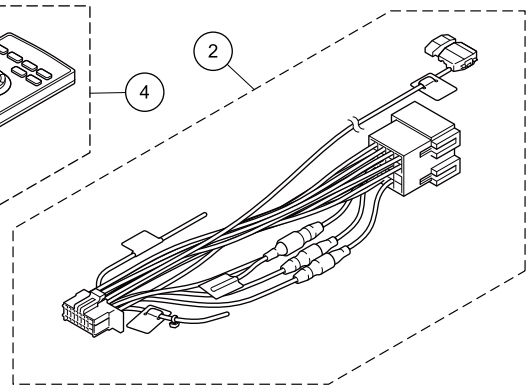
A



UC, RC, RD, RI, ID

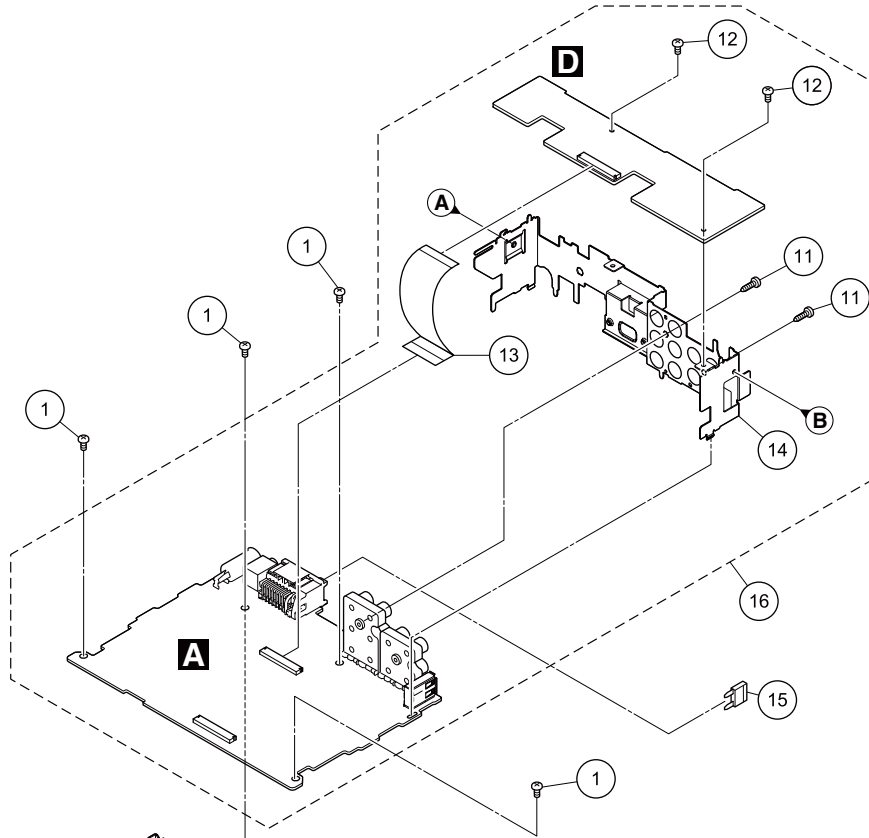


UC, RC, RD,  
RI, ID

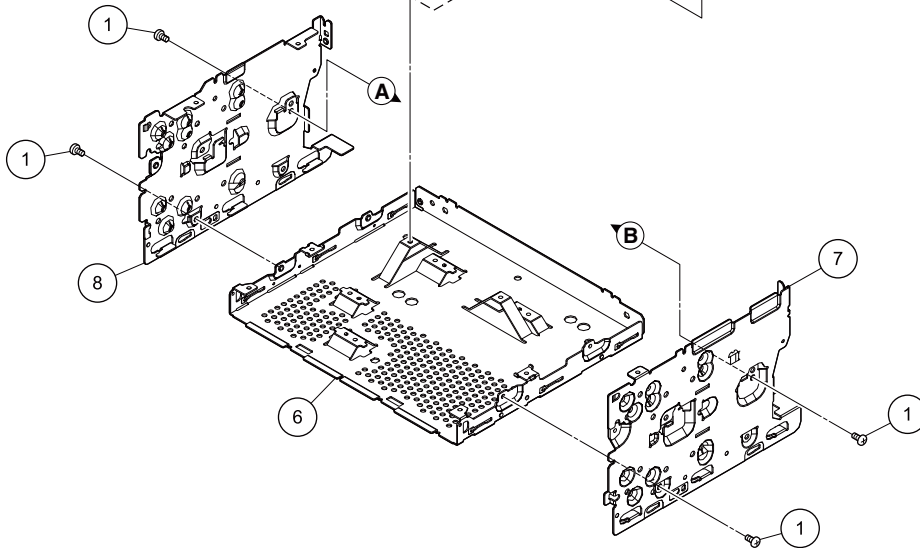


UW5

C



E



F

1

2

3

4

**(1) EXTERIOR (2) SECTION PARTS LIST**

<u>Mark No.</u>	<u>Description</u>	<u>Part No.</u>	<u>Mark No.</u>	<u>Description</u>	<u>Part No.</u>
1	Screw	BSZ26P060FTC	10	.....	
2	Cord Assy	See Contrast table (2)			
3	.....		11	Screw	BPZ26P080FTC
4	Card Remote Control Unit	See Contrast table (2)	12	Screw	BSZ26P060FTC
5	Battery Cover	See Contrast table (2)	13	FFC	CDE9766
			14	Holder	See Contrast table (2)
6	Chassis	CNA3310	⚠ 15	Fuse (10 A)	YEK5001
7	Bracket	CND6985			
8	Bracket	CND6986	16	Service Unit (Mother I/F)	See Contrast table (2)
9	.....				

**(2) CONTRAST TABLE**

AVH-X1700S/XNUC, AVH-X1700DVD/XNUW5, AVH-X1750DVD/XNRC, AVH-X1750DVD/XNRD, AVH-X1750DVD/XNRI and AVH-X1790DVD/XNID are constructed the same except for the following:

Mark	No.	Description	AVH-X1700S/ XNUC	AVH-X1700DVD/ XNUW5	AVH-X1750DVD/ XNRC	AVH-X1750DVD/ XNRD
	2	Cord Assy	CDP1665	CDP1670	CDP1665	CDP1665
	4	Card Remote Control Unit	CXE5116	Not used	CXE5116	CXE5116
	5	Battery Cover	CNU1624	Not used	CNU1624	CNU1624
	14	Holder	CND7204	CND7202	CND7202	CND7202
	16	Service Unit (Mother I/F)	CXX7266	CXX7267	CXX7268	CXX7269

Mark	No.	Description	AVH-X1750DVD/ XNRI	AVH-X1790DVD/ XNID
	2	Cord Assy	CDP1665	CDP1665
	4	Card Remote Control Unit	CXE5116	CXE5116
	5	Battery Cover	CNU1624	CNU1624
	14	Holder	CND7202	CND7202
	16	Service Unit (Mother I/F)	CXX7270	CXX7271

# 9.4 DVD MECHANISM MODULE (1)

1

2

3

4

A

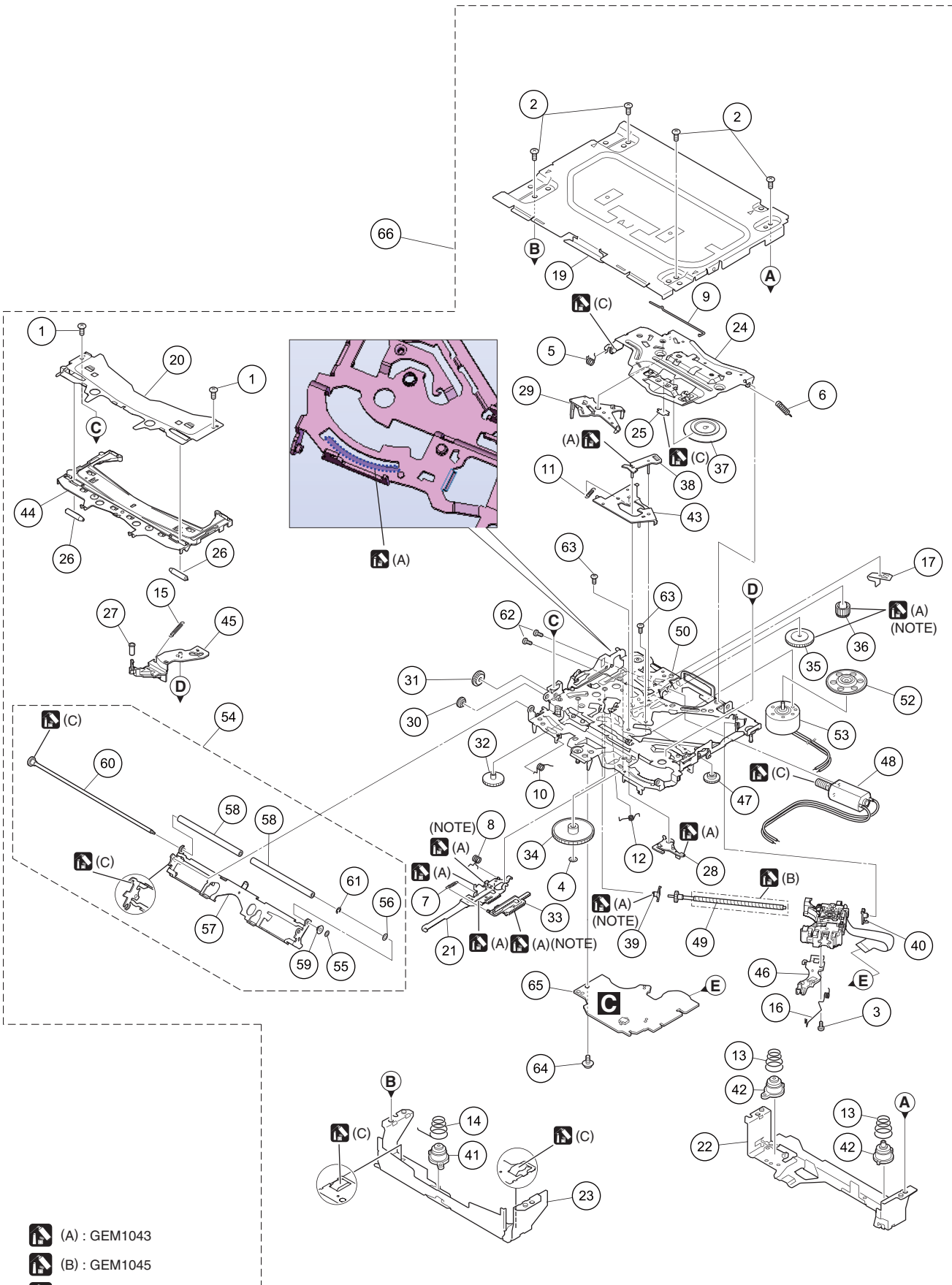
B

C

D

E

F



(NOTE) Apply grease to the whole part.

1

2

3

4

5 6 7 8  
**DVD MECHANISM MODULE (1) SECTION PARTS LIST**

<u>Mark No.</u>	<u>Description</u>	<u>Part No.</u>	<u>Mark No.</u>	<u>Description</u>	<u>Part No.</u>
1	Screw	BSZ20P040FTC	50	Chassis Unit	CXE8407
2	Screw	BSZ26P060FTC			
3	Screw (M2 x 4)	CBA1835	51	.....	
4	Washer	CBF1038	*	52 Support Wheel	CNW2052
5	Spring	CBH2855	*	53 Spindle Motor	EXM2002
				54 Arm Assy	CXE7890
6	Spring	CBH2860		55 Washer	CBF1037
7	Spring	CBH3010			
8	Spring	CBH3011	56	Washer	CBF1038
9	Spring	CBH3014	57	Arm	CND6779
10	Spring	CBH3015	58	Roller	CNW2500
			59	Collar	CNW2444
11	Spring	CBH3016	60	Gear Unit	CXE6225
12	Spring	CBH3017			
13	Spring	CBH3019	61	E Ring	YE15FTC
14	Spring	CBH3086	62	Screw	JFZ20P025FTC
15	Spring	CBH3095	63	Screw	JGZ17P020FTC
			64	Screw (M2 x 5)	EBA1028
16	Spring	CBH3096	65	DVD Core Unit	CWX4609
17	Plate Spring	CBL1824			
18	.....		66	Mechanism Unit(Service)	CXX7126
19	Case	CNB3928			
20	Bracket	CND4553			
21	Lever	CND7225			
22	Bracket	CND5710			
23	Bracket	CND6127			
24	Arm	CND7224			
25	Sheet	CNN3678			
26	Roller	CNW1172			
27	Roller	CNW1175			
28	Arm	CNW1177			
29	Arm	CNW1178			
30	Gear	CNW1180			
31	Gear	CNW1181			
32	Gear	CNW1183			
33	Rack	CNW1184			
34	Gear	CNW1185			
35	Gear	CNW1186			
36	Gear	CNW1187			
37	Clamper	CNW1190			
38	Arm	CNW1192			
39	Holder	CNW1193			
40	Holder	CNW1194			
41	Damper	CNW2439			
42	Damper	CNW2440			
43	Arm	CNW1726			
44	Guide	CNW3489			
45	Arm	CNW2241			
46	Rack	CNW2265			
47	Gear	CNW2287			
48	Motor Unit	CXC4026			
49	Screw Unit	CXC8894			

Pickup, Spindle Motor and Support Wheel are not available as service parts, because they need adjustment by special equipment after replacing.



## 12. ELECTRICAL PARTS LIST

### NOTE:

- Parts whose parts numbers are omitted are subject to being not supplied.
- The part numbers shown below indicate chip components.

#### Chip Resistor

RS1/○S○○○○J,RS1/○○S○○○○J

#### Chip Capacitor (except for CQS.....)

CKS....., CCS....., CSZS.....

- The  $\triangle$  mark found on some component parts indicates the importance of the safety factor of the part. Therefore, when replacing, be sure to use parts of identical designation.
- Meaning of the figures and others in the parentheses in the parts list.

Example) IC 301 is on the point (face A, 91 of x-axis, and 111 of y-axis) of the corresponding PC board.

IC 301 (A, 91, 111) IC NJM2068V

- The expression of the unit in this manual is shown by  $\mu$  instead of  $\mu$ . Please do not make a mistake.

<u>Circuit Symbol and No.</u>	<u>Part No.</u>
<b>A:AVH-X1700S/XNUC</b>	
<b>B:AVH-X1700DVD/XNUW5</b>	
<b>C:AVH-X1750DVD/XNRC</b>	
<b>D:AVH-X1750DVD/XNRD</b>	
<b>E:AVH-X1750DVD/XNRI</b>	
<b>F:AVH-X1790DVD/XNID</b>	
<b>Unit Number : CXX7266(A)</b>	
<b>Unit Number : CXX7267(B)</b>	
<b>Unit Number : CXX7268(C)</b>	
<b>Unit Number : CXX7269(D)</b>	
<b>Unit Number : CXX7270(E)</b>	
<b>Unit Number : CXX7271(F)</b>	
<b>Unit Name : Service Unit(Mother I/F)</b>	
<b>Unit Number : CXX7273</b>	
<b>Unit Name : Service Unit(Monitor)</b>	
<b>Unit Number : CWX4609</b>	
<b>Unit Name : DVD Core Unit</b>	
<b>Unit Number : CXX7275</b>	
<b>Unit Name : Service Unit(Keyboard)</b>	

**Service Unit(Mother I/F)**  
**Consists of**  
**Mother PCB**  
**Interface PCB**

<u>Circuit Symbol and No.</u>	<u>Part No.</u>
<b>A D</b>	
<b>Unit Number : CXX7266(A)</b>	
<b>Unit Number : CXX7267(B)</b>	
<b>Unit Number : CXX7268(C)</b>	
<b>Unit Number : CXX7269(D)</b>	
<b>Unit Number : CXX7270(E)</b>	
<b>Unit Number : CXX7271(F)</b>	
<b>Unit Name : Service Unit(Mother I/F)</b>	

### MISCELLANEOUS

IC 101	(B,50,102) Regulator IC	NJW4181U3-33B
IC 111	(A,99,95) Regulator IC	NJW4184DL3-08A
IC 141	(A,124,60) Regulator IC	MM3479A33P
IC 160	(B,168,75) Regulator IC	RP132J001B-AE
IC 231	(B,120,69) Regulator IC	MM1856A50N
IC 271	(B,146,29) Regulator IC	MM1856A58N
IC 301	(B,159,41) IC	AN33012UA
IC 351	(B,155,64) DC/DC CONV IC	KBD9876EFJ
IC 401	(A,49,37) Flash Blank UC IC	MN103LF15RXW
IC 601	(A,91,46) AS IC	MN1AA9010Z
IC 603	(B,151,91) And Logic IC	MC74VHC1GT08DFG
IC 851	(B,104,21) RAM IC	M12L2561616A-5TG2S
IC 871	(B,78,53) Flash Memory IC(A)	MX25L6406EM2I-12G
	(B,78,53)Serial Flash Memory IC(B,C,D,E,F)	MX25L1606EM2I-12G
IC 881	(B,78,41) Flash Memory IC	S99-50389P
IC 891	(A,124,54) IC	337S3959
IC 901	(B,110,55) IC	AK8814VQ
IC 931	(B,98,73) IC	NJM2283V
IC 1101	(B,137,50) IC	AK4223VQ
IC 1201	(B,137,79) AUD DSP SYS LSI	PM9014A
IC 1271	(B,113,84) OP AMP IC	NJW1240V
IC 1301	(A,88,121) Power AMP IC	PA2032A
IC 2004	(A,37,60) Regulator IC	MM3479A33P
IC 2201	(A,40,74) Tuner IC	TEF6686HN
IC 2401	(B,160,86) DC/DC CONV IC	AN33014UA
IC 2501	(A,143,26) Logic IC	TC7SZ32FUS1
IC 3191	(B,155,100) Interface IC	STCC2540IQ
IC 3221	(B,75,71) Comparator IC	TC75S57FU

	1	2	3	4
	<u>Circuit Symbol and No.</u>	<u>Part No.</u>	<u>Circuit Symbol and No.</u>	<u>Part No.</u>
	IC 3231 (B,83,72) V AMP IC	BH7673G	D 3152 (B,142,100) Diode	DZ2S180C
	IC 3232 (B,89,79) V AMP IC	BH7673G		
	IC 3233 (B,111,69) V AMP IC	BH7673G	D 3153 (A,150,106) Diode	DZ2S180C
A	IC 3234 (B,98,81) V AMP IC	BH7673G	D 3154 (A,158,105) Diode	DZ2S180C
	IC 4001 (B,26,32) IC(A)	TC7SH126FU	D 3191 (A,162,101) Diode	EZAEG2A50AX
	IC 4002 (B,22,34) And Logic IC(A)	MC74VHC1GT08DFG	D 3192 (A,162,100) Diode	EZAEG2A50AX
	IC 4004 (B,63,37) And Logic IC(A)	MC74VHC1GT08DFG	D 4023 (B,54,28) Rectifier Diode(A)	DA2J101
	IC 4005 (B,55,32) And Logic IC(A)	MC74VHC1GT08DFG	L 1 (A,60,103) Choke Coil 600 uH	CTH1221
			L 2 (A,158,73) Choke Coil 10 uH	CTH1486
	Q 11 (B,72,95) Chip Transistor	HN1C01FU	L 301 (A,166,29) Choke Coil 7 uH	CTH1381
	Q 21 (B,59,127) Resistor Built-IN TR	LTC014EEB	L 302 (A,156,28) SMD SPL Inductor	CTH1519
	Q 31 (B,64,124) Resistor Built-IN TR	LTC014EEB	L 351 (A,153,58) SMD SPL Inductor	CTH1524
	Q 51 (B,40,124) Bipolar TR	LSAR523UB		
			L 700 (A,76,30) Chip Beads	VTL1126
	Q 61 (B,51,127) Bipolar TR	LSAR523UB	L 701 (A,79,28) Chip Beads	VTL1126
B	Q 301 (A,167,42) Power MOS FET	ATP112-H	L 702 (A,79,26) Chip Beads	VTL1126
	Q 302 (A,157,40) Power MOS FET	ATP112-H	L 703 (A,80,28) Chip Beads	VTL1126
	Q 401 (A,54,55) Bipolar TR	LSCR523UB	L 704 (A,81,26) Chip Beads	VTL1126
	Q 402 (A,30,35) Chip Transistor(C,D,E,F)	RN4982		
			L 705 (A,81,28) Chip Beads	VTL1126
	Q 403 (B,59,54) Chip Transistor(C,D,E,F)	RN4982	L 706 (A,82,26) Chip Beads	VTL1126
	Q 404 (B,38,36) Chip Transistor(C,D,E,F)	RN4982	L 707 (A,82,28) Chip Beads	VTL1126
	Q 405 (B,64,52) Chip Transistor(C,D,E,F)	RN4982	L 708 (A,83,26) Chip Beads	VTL1126
	Q 821 (B,79,66) Bipolar TR	LSCR523UB	L 709 (A,84,28) Chip Beads	VTL1126
	Q 892 (A,124,50) Bipolar TR	LSAR523UB	L 710 (A,84,26) Chip Beads	VTL1126
	Q 931 (B,93,66) Bipolar TR	LSCR523UB	L 711 (A,85,28) Chip Beads	VTL1126
	Q 932 (B,88,69) Bipolar TR	LSCR523UB	L 712 (A,85,26) Chip Beads	VTL1126
C	Q 933 (B,85,68) Bipolar TR	LSCR523UB	L 713 (A,86,28) Chip Beads	VTL1126
	Q 1271 (B,125,85) Resistor Built-IN TR	LTC044EEB	L 714 (A,87,26) Chip Beads	VTL1126
	Q 1301 (A,96,108) Chip Transistor	RN1903	L 715 (A,87,28) Chip Beads	VTL1126
	Q 1303 (A,89,106) Bipolar TR	LSCR523UB	L 716 (A,88,26) Chip Beads	VTL1126
	Q 3051 (B,78,85) Chip Transistor	HN1B04FU	L 717 (A,88,28) Chip Beads	VTL1126
	Q 3101 (A,26,108) Chip Transistor	2SD2114K	L 718 (A,89,26) Chip Beads	VTL1126
	Q 3102 (A,30,108) Transistor	RN4984	L 720 (A,91,27) Chip Beads	VTL1126
	Q 3103 (A,23,107) Transistor	RN4984	L 725 (B,92,28) Chip Beads	VTL1126
	D 1 (B,67,104) Diode	D1F60-5053	L 750 (A,110,34) Chip Beads	VTL1128
	D 2 (B,67,101) Diode	D1F60-5053	L 851 (B,98,33) Inductor	CTF1786
	D 3 (A,156,79) Diode	RB080L-30	L 852 (B,111,24) Chip Beads	VTL1128
D	D 11 (B,73,98) Diode	DZ2J062M0	L 871 (B,84,50) Inductor	CTF1786
	D 12 (B,68,94) Diode	DZ2J068M0	L 881 (B,84,42) Inductor	CTF1786
	D 21 (B,59,124) Rectifier Diode	DA2J101	L 882 (B,84,47) Inductor	CTF1740
	D 32 (B,66,127) Diode	DZ2J056M0	L 901 (B,118,62) Inductor	ATL7039
	D 41 (A,74,116) Diode	CRG03	L 902 (B,108,44) Inductor	ATL7039
	D 51 (B,42,122) Rectifier Diode	DA2J101	L 903 (B,104,64) Chip Beads	VTL1126
	D 61 (B,50,124) Rectifier Diode	DA2J101	L 904 (A,113,53) Chip Beads	VTL1126
	D 101 (B,66,93) Diode	D1F60-5053	L 905 (A,109,53) Chip Beads	VTL1126
	D 301 (A,162,39) Diode	RB056L-40	L 906 (A,113,52) Chip Beads	VTL1126
	D 302 (A,158,33) Diode	RB056L-40	L 907 (A,109,52) Chip Beads	VTL1126
	D 351 (A,154,64) Diode	RB056L-40	L 908 (A,113,51) Chip Beads	VTL1126
E				
	D 401 (B,62,49) Schottky Diode	DB2J31400	L 909 (A,109,51) Chip Beads	VTL1126
	D 403 (B,59,45) Schottky Diode	DB2J31400	L 910 (A,114,50) Chip Beads	VTL1126
	D 1301 (A,81,107) Rectifier Diode	DA2J101	L 911 (A,110,50) Chip Beads	VTL1126
	D 1302 (A,92,103) Diode	DZ2J082M0	L 1201 (B,144,80) Ferrite Bead	CTF1528
	D 2201 (B,21,102) Diode	EZAEG2A50AX	L 1202 (B,129,80) Ferrite Bead	CTF1528
	D 2202 (A,36,91) Diode	EZAEG2A50AX	L 2201 (A,48,63) Inductor	CTF1749
	D 2203 (A,35,88) Diode	EZAEG2A50AX	L 2203 (A,32,83) Inductor	LCYC150K1608
	D 2401 (B,155,85) Diode	RB060M-30	L 2204 (A,33,89) Inductor	CTF1389
	D 2402 (A,154,85) Diode	D1F60-5053	L 2205 (A,39,91) Inductor	LCMAR27J1608
	D 3101 (A,22,114) Diode	DZ2S180C	L 2401 (A,160,83) SMD SPL Inductor	CTH1524
F	D 3102 (A,28,113) Diode	DZ2S180C	L 2402 (B,155,81) Inductor	CTF1793
	D 3103 (A,35,113) Diode	DZ2S180C	L 2503 (A,144,28) Chip Beads	VTL1126
	D 3104 (A,32,113) Diode	DZ2S180C	L 3051 (A,79,71) Chip Beads(A)	VTL1126
	D 3105 (A,33,108) Diode	DZ2J039M0	L 3052 (A,78,70) Chip Beads(A)	VTL1126

5			6			7			8		
<u>Circuit Symbol and No.</u>			<u>Part No.</u>			<u>Circuit Symbol and No.</u>			<u>Part No.</u>		
L 3053	(B,75,75)	Chip Beads(A)	VTL1126			R 18	(B,55,107)		RS1/4SA102J		
L 3054	(A,77,71)	Chip Beads(A)	VTL1126			R 21	(B,57,124)		RS1/16SS103J		
L 3055	(A,76,70)	Chip Beads(A)	VTL1126			R 22	(B,62,126)		RS1/16SS472J		A
L 3101	(A,22,116)	Chip Beads	VTL1126			R 23	(B,56,122)		RS1/4SA102J		
L 3102	(A,32,114)	Chip Beads	VTL1126			R 31	(B,63,122)		RS1/4SA102J		
L 3103	(A,34,114)	Chip Beads	VTL1126								
L 3104	(A,27,114)	Chip Beads	VTL1126			R 32	(B,68,124)		RS1/16SS103J		
						R 51	(B,38,123)		RS1/16SS102J		
L 3151	(A,157,107)	Chip Beads	VTL1126			R 52	(B,38,124)		RS1/16SS473J		
L 3152	(A,163,107)	Chip Beads	VTL1126			R 53	(B,42,124)		RS1/16SS223J		
L 3153	(A,151,108)	Chip Beads	VTL1126			R 54	(B,45,124)		RS1/16SS103J		
L 3154	(A,148,105)	Chip Beads	VTL1126								
L 3155	(B,140,102)	Chip Beads	VTL1126			R 61	(B,47,124)		RS1/16SS223J		
						R 62	(B,48,123)		RS1/16SS102J		
L 3156	(B,142,103)	Chip Beads	VTL1126			R 63	(B,53,127)		RS1/16SS473J		
L 3157	(A,136,107)	Chip Beads	VTL1126			R 64	(B,53,124)		RS1/16SS103J		B
L 3161	(A,141,106)	Chip Beads	VTL1126			R 160	(B,158,78)		RS1/16SS5601D		
L 3162	(A,141,105)	Chip Beads	VTL1126								
L 3163	(A,133,105)	Chip Beads	VTL1126			R 161	(B,160,78)		RS1/16SS1202D		
						R 301	(B,150,38)		RS1/16SS561J		
L 3164	(A,129,106)	Chip Beads	VTL1126			R 302	(B,150,39)		RS1/16SS3302D		
L 3165	(A,126,106)	Chip Beads	VTL1126			R 303	(B,151,41)		RS1/16SS4301D		
L 3166	(A,122,105)	Chip Beads	VTL1126			R 304	(B,150,41)		RS1/16SS3601D		
L 3191	(A,160,101)	Coil	ATH7015								
L 3231	(B,115,75)	Inductor	ATL7015			R 305	(B,152,41)		RS1/16SS123J		
						R 306	(B,165,36)		RS1/16SS103J		
L 4001	(B,72,31)	Chip Beads	VTL1126			R 308	(B,163,46)	11 mohm	CCN1341		
L 4002	(B,72,26)	Chip Beads	VTL1126			R 309	(B,164,35)		RS1/16SS204J		
L 4005	(B,161,46)	Chip Beads	VTL1126			R 310	(B,165,35)		RS1/16SS394J		C
L 4006	(B,159,43)	Chip Beads	VTL1126								
						R 311	(B,157,46)	12 mohm	CCN1321		
X 401	(A,49,53)	Crystal Resonator 12.500 MHz	CSS1839			R 312	(B,153,38)		RS1/16SS224J		
X 601	(A,77,65)	Resonator 24 MHz	CSS1773			R 313	(B,167,40)		RS1/16SS472J		
X 2201	(A,49,70)	Crystal Resonator 9.216 MHz	CSS1867			R 314	(B,167,37)		RS1/16SS1101D		
P 2001	(A,73,86)	Poly Switch(A)	FSMD110-24R			R 315	(B,167,36)		RS1/16SS3000D		
P 2201	(B,19,102)	Sufge Absorber	IMSA-6803-01Y900								
						R 316	(B,167,39)		RS1/16SS1002D		
⚠ P3051	(A,131,9)	Fuse 0.75 A	CEK1380			R 317	(B,169,39)		RS1/16SS511J		
P 3152	(B,146,99)	Poly Switch	FSMD075-24R			R 318	(B,171,37)		RS1/10SR0R0J		
P 3161	(B,101,104)	Poly Switch	FSMD075-24R			R 322	(B,165,39)		RS1/16SS473J		
P 4001	(A,102,28)	Poly Switch	FSMD075-24R			R 323	(B,165,38)		RS1/16SS473J		D
P 4003	(B,81,11)	Poly Switch	FSMD075-24R			R 351	(B,152,58)		RS1/16SS4701D		
CN2501	(A,150,8)	30P Connector	VKN1620			R 352	(B,152,59)		RS1/16SS4702D		
CN3051	(A,89,76)	FFC/FPC Connector	CKS6645			R 353	(B,151,61)		RS1/16SS2202D		
						R 354	(B,155,59)		RS1/16SS332J		
CN3202	(A,113,10)	FFC/FPC Connector	CKS6646			R 359	(A,150,50)		RS1/8SQ0R0J		
CN4001	(A,145,25)	Connector	CKS4497								
CN4002	(A,30,16)	Connector(A)	CKS6603			R 360	(B,154,55)		RS1/8SQ331J		
CN4004	(B,87,45)	FFC/FPC Connector	CKS6605			R 401	(A,63,52)		RS1/16SS472J		
JA 1	(A,54,121)	Connector	CKM1613			R 402	(A,61,49)		RS1/16SS102J		
						R 403	(B,61,50)		RS1/16SS103J		
JA2201	(A,13,116)	Antenna Jack	YKS5041			R 405	(A,59,51)		RS1/16SS471J		
JA3101	(A,29,131)	3.5 DIA Jack	CKN1106								
JA3151	(A,149,112)	RCA Jack	CKB1110			R 406	(A,58,53)		RS1/16SS473J		E
JA3161	(A,121,111)	RCA Jack	CKB1113			R 407	(A,58,51)		RS1/16SS471J		
JA3191	(A,167,98)	USB Jack	CKN1097			R 408	(A,57,53)		RS1/16SS473J		
						R 411	(B,53,48)		RS1/16SS472J		
JA4002	(A,15,12)	Connector(A)	CKS6495			R 412	(B,52,48)		RS1/16SS472J		
JA4003	(A,41,14)	3.5 DIA Jack	CKS6437								
JA4004	(A,163,33)	RCA Jack	CKB1106			R 413	(A,55,51)		RS1/16SS473J		
VL2201	(A,39,84)	Variable Coil	CTC1216			R 414	(A,54,58)		RS1/16SS473J		
						R 415	(A,54,51)		RS1/16SS473J		
						R 417	(A,53,52)		RS1/16SS104J		
						R 418	(B,51,48)		RS1/16SS102J		
						R 419	(A,49,50)		RS1/16SS0R0J		F
						R 420	(B,43,52)		RS1/16SS102J		
						R 421	(A,43,56)		RS1/16SS104J		
						R 422	(A,41,50)		RS1/16SS473J		
						R 423	(A,40,52)		RS1/16SS473J		

**RESISTORS**

R 11	(B,75,97)	RS1/16SS103J
R 12	(B,75,99)	RS1/16SS473J
R 13	(B,72,99)	RS1/16SS472J
R 16	(B,70,93)	RS1/16SS104J
R 17	(B,70,94)	RS1/16SS473J

	1	2	3	4
	<u>Circuit Symbol and No.</u>	<u>Part No.</u>	<u>Circuit Symbol and No.</u>	<u>Part No.</u>
			(B,60,52) (C,D,E,F)	RS1/16SS1001D
	R 424 (A,39,52)	RS1/16SS121J		
	R 425 (A,38,52)	RS1/16SS104J	R 602 (A,112,27)	RS1/10SR0R0J
A	R 426 (A,37,52)	RS1/16SS121J	R 603 (A,106,61)	RS1/16SS473J
	R 430 (A,35,44)	RS1/16SS102J	R 605 (A,108,61)	RS1/16SS473J
	R 431 (A,35,46)	RS1/16SS473J	R 614 (A,98,64) (A)	RS1/16SS0R0J
			R 615 (A,97,64) (A)	RS1/16SS0R0J
	R 435 (B,40,41)	RS1/16SS682J		
	R 437 (B,38,41)	RS1/16SS0R0J	R 616 (A,96,64)	RS1/16SS473J
	R 441 (A,35,40)	RS1/16SS0R0J	R 619 (B,84,60)	RS1/16SS0R0J
	R 447 (A,35,36) (A,B)	RS1/16SS102J	R 620 (A,90,65)	RS1/16SS1R0J
	(A,35,36) (C,D,E,F)	RS1/16SS1001D	R 621 (B,83,60)	RS1/16SS1R0J
	R 448 (A,33,36) (C,D,E,F)	RS1/16SS6800D	R 622 (B,84,61)	RS1/16SS0R0J
	R 453 (A,36,32)	RS1/16SS101J		
			R 623 (B,83,61)	RS1/16SS0R0J
	R 457 (A,39,24)	RS1/16SS822J	R 625 (B,81,61)	RS1/16SS473J
B	R 458 (A,40,24)	RS1/16SS471J	R 627 (B,78,64)	RS1/16SS473J
	R 460 (A,44,24)	RS1/16SS473J	R 628 (B,76,62)	RS1/16SS0R0J
	R 463 (B,43,29)	RS1/16SS104J	R 629 (A,78,63)	RS1/16SS105J
	R 464 (B,43,28)	RS1/16SS473J		
			R 630 (A,80,64)	RS1/16SS102J
	R 465 (A,47,24)	RS1/16SS473J	R 631 (B,72,61)	RS1/16SS102J
	R 466 (A,36,39)	RS1/16SS222J	R 632 (A,73,59)	RS1/16SS0R0J
	R 468 (B,50,23)	RS1/16SS473J	R 633 (A,76,60)	RS1/16SS0R0J
	R 471 (A,52,24)	RS1/16SS221J	R 636 (B,72,59)	RS1/16SS104J
	R 472 (A,53,24)	RS1/16SS221J		
			R 637 (B,76,60)	RS1/16SS473J
	R 474 (A,55,24)	RS1/16SS221J	R 639 (B,76,58)	RS1/16SS473J
	R 475 (A,56,24)	RS1/16SS221J	R 641 (B,80,59)	RS1/16SS103J
C	R 476 (A,57,22)	RS1/16SS221J	R 642 (B,80,58)	RS1/16SS103J
	R 477 (B,57,26)	RS1/16SS104J	R 643 (A,72,53)	RS1/16SS4701D
	R 478 (A,57,24)	RS1/16SS221J		
			R 644 (A,72,54)	RS1/16SS1201D
	R 479 (A,58,22)	RS1/16SS104J	R 645 (A,74,54)	RS1/16SS0R0J
	R 480 (A,66,23) (E,F)	RS1/16SS104J	R 646 (A,73,52)	RS1/16SS0R0J
	R 481 (A,64,23) (B,C,D)	RS1/16SS104J	R 647 (A,68,61) (A)	RS1/16SS0R0J
	R 482 (A,66,24) (C,D)	RS1/16SS104J	R 648 (A,67,61) (A)	RS1/16SS0R0J
	R 483 (A,64,24) (B,E,F)	RS1/16SS104J		
	R 484 (A,66,26) (B,D,F)	RS1/16SS104J	R 651 (A,72,49)	RS1/16SS0R0J
			R 653 (B,69,50)	RS1/16SS101J
	R 485 (A,64,26) (C,E)	RS1/16SS104J	R 654 (B,70,49)	RS1/16SS101J
	R 487 (A,64,27)	RS1/16SS104J	R 660 (B,91,32) (A)	RS1/16SS473J
D	R 488 (A,66,29)	RS1/16SS104J	R 685 (A,112,32)	RS1/10SR0R0J
	R 493 (B,57,32)	RS1/16SS103J		
	R 494 (B,60,32)	RS1/16SS221J	R 686 (B,154,91)	RS1/16SS473J
			R 687 (B,151,93)	RS1/16SS103J
	R 495 (A,64,33)	RS1/16SS104J	R 688 (B,153,93)	RS1/16SS473J
	R 496 (B,57,33)	RS1/16SS103J	R 700 (A,97,66) (A)	RS1/16SS473J
	R 497 (B,60,33)	RS1/16SS221J	R 701 (A,76,27)	RS1/16SS560J
	R 499 (B,57,34)	RS1/16SS104J		
	R 500 (B,57,35)	RS1/16SS104J	R 703 (A,78,28)	RS1/16SS473J
			R 704 (A,79,24)	RS1/16SS390J
	R 501 (A,64,35)	RS1/16SS101J	R 705 (A,79,23)	RS1/16SS390J
	R 502 (A,65,36)	RS1/16SS221J	R 706 (A,80,24)	RS1/16SS390J
	R 503 (A,64,36)	RS1/16SS221J	R 707 (A,81,23)	RS1/16SS390J
E	R 504 (A,65,37)	RS1/16SS221J		
	R 505 (B,60,38)	RS1/16SS104J	R 708 (A,81,24)	RS1/16SS390J
			R 709 (A,82,23)	RS1/16SS390J
	R 506 (B,53,30)	RS1/16SS0R0J	R 710 (A,82,24)	RS1/16SS390J
	R 508 (B,59,46)	RS1/16SS103J	R 711 (A,83,23)	RS1/16SS390J
	R 510 (A,61,26)	RS1/16SS473J	R 712 (A,84,24)	RS1/16SS390J
	R 511 (A,64,44)	RS1/16SS471J		
	R 512 (A,65,42)	RS1/16SS472J	R 713 (A,84,23)	RS1/16SS390J
			R 714 (A,85,24)	RS1/16SS390J
	R 513 (A,63,45)	RS1/16SS471J	R 715 (A,85,23)	RS1/16SS390J
	R 514 (A,65,41)	RS1/16SS472J	R 716 (A,86,24)	RS1/16SS390J
	R 515 (A,64,46)	RS1/16SS221J	R 717 (A,87,23)	RS1/16SS390J
F	R 518 (A,37,47)	RS1/16SS0R0J		
	R 519 (B,62,52) (C,D,E,F)	RS1/16SS6800D	R 718 (A,87,24)	RS1/16SS390J
	R 524 (B,63,55) (C,D,E,F)	RS1/16SS8201D	R 719 (A,88,23)	RS1/16SS390J
	R 525 (B,36,34) (C,D,E,F)	RS1/16SS8201D	R 720 (A,88,24)	RS1/16SS390J
	R 526 (B,60,52) (A,B)	RS1/16SS102J	R 721 (A,89,23)	RS1/16SS390J

5		6		7		8	
<u>Circuit Symbol and No.</u>		<u>Part No.</u>		<u>Circuit Symbol and No.</u>		<u>Part No.</u>	
R 726	(B,92,30)	RS1/16SS101J		R 914	(A,115,51)	RS1/16SS561J	
				R 916	(A,111,51)	RS1/16SS561J	
R 727	(B,94,31)	RS1/16SS0R0J					
R 730	(A,91,25)	RS1/16SS151J		R 918	(A,115,50)	RS1/16SS561J	A
R 736	(A,107,31)	RS1/16SS472J		R 920	(A,112,50)	RS1/16SS561J	
R 739	(A,112,34)	RS1/16SS330J		R 921	(B,113,48)	RS1/16SS103J	
R 792	(A,111,35) (A)	RS1/16SS150J		R 922	(B,113,47)	RS1/16SS271J	
	(A,111,35) (B,C,D,E,F)	RS1/16SS330J		R 923	(B,112,48)	RS1/16SS271J	
R 793	(A,107,32)	RS1/16SS472J		R 924	(B,110,47)	RS1/16SS181J	
R 794	(A,109,32)	RS1/16SS472J		R 925	(B,111,48)	RS1/16SS103J	
R 795	(B,104,38)	RS1/16SS472J		R 926	(B,112,46)	RS1/16SS103J	
R 797	(B,105,40)	RS1/16SS472J		R 930	(B,106,47)	RS1/10SR0R0J	
R 798	(B,105,41)	RS1/16SS472J		R 931	(B,104,53)	RS1/16SS6801D	
R 803	(A,116,45)	RS1/16SS103J		R 932	(B,111,61)	RS1/16SS104J	
R 805	(A,112,44)	RS1/16SS473J		R 933	(B,112,61)	RS1/16SS104J	
R 806	(A,113,47)	RS1/16SS473J		R 934	(B,104,45)	RS1/16SS0R0J	B
R 813	(A,109,57)	RS1/16SS472J		R 935	(B,92,78)	RS1/16SS0R0J	
R 821	(B,81,64)	RS1/16SS103J		R 938	(B,93,69)	RS1/16SS0R0J	
R 822	(B,77,66)	RS1/16SS0R0J		R 941	(B,92,65)	RS1/16SS471J	
R 823	(B,75,66)	RS1/16SS104J		R 944	(B,89,67)	RS1/16SS471J	
R 824	(B,76,66)	RS1/16SS153J		R 947	(B,82,69)	RS1/16SS471J	
R 825	(B,79,68)	RS1/16SS471J		R 948	(B,90,72)	RS1/16SS104J	
R 827	(A,112,48)	RS1/16SS0R0J		R 949	(B,94,76)	RS1/16SS104J	
R 828	(A,110,48)	RS1/16SS0R0J		R 950	(B,90,65)	RS1/16SS0R0J	
R 841	(A,111,82)	RAB4CQ103J		R 951	(B,86,67)	RS1/16SS0R0J	
R 851	(B,95,15)	RAB4CQ101J		R 952	(B,84,66)	RS1/16SS0R0J	C
R 852	(B,95,18)	RAB4CQ101J		R 953	(B,99,78)	RS1/16SS104J	
R 853	(B,105,34)	RAB4CQ181J		R 960	(B,117,65)	RS1/16SS0R0J	
R 854	(B,102,34)	RAB4CQ181J		R 970	(B,114,44)	RS1/16SS222J	
R 855	(B,100,34)	RAB4CQ181J		R 971	(B,113,44)	RS1/16SS222J	
R 856	(B,113,14)	RAB4CQ101J		R 1113	(B,139,39)	RS1/16SS75R0D	
R 857	(B,113,19)	RAB4CQ101J		R 1114	(B,137,40)	RS1/16SS104J	
R 858	(B,112,22)	RS1/16SS121J		R 1115	(B,135,39)	RS1/16SS75R0D	
R 859	(B,113,28)	RS1/16SS181J		R 1116	(B,133,41)	RS1/16SS2200D	
R 860	(B,112,28)	RS1/16SS181J		R 1117	(B,126,46)	RS1/16SS0R0J	
R 861	(B,97,23)	RS1/16SS101J		R 1118	(B,131,46)	RS1/16SS75R0D	
R 862	(B,114,34)	RAB4CQ181J		R 1119	(B,136,40)	RS1/16SS101J	D
R 863	(B,111,34)	RAB4CQ181J		R 1120	(B,135,40)	RS1/16SS101J	
R 872	(B,76,49)	RS1/16SS0R0J		R 1122	(B,140,40)	RS1/16SS101J	
R 873	(B,77,49)	RS1/16SS0R0J		R 1123	(B,139,40)	RS1/16SS101J	
R 877	(B,83,53)	RS1/16SS101J		R 1124	(B,142,40)	RS1/16SS101J	
R 878	(B,83,55)	RS1/16SS101J		R 1125	(B,141,40)	RS1/16SS101J	
R 882	(B,84,37)	RS1/16SS101J		R 1131	(B,146,57)	RS1/16SS101J	
R 883	(B,80,34)	RS1/16SS0R0J		R 1132	(B,144,57)	RS1/16SS101J	
R 884	(B,75,34)	RS1/16SS101J		R 1133	(B,143,57)	RS1/16SS101J	
R 885	(B,74,34)	RS1/16SS101J		R 1134	(B,134,60)	RS1/16SS101J	
R 886	(B,82,47)	RS1/16SS271J		R 1135	(B,133,60)	RS1/16SS101J	
R 887	(B,84,45)	RS1/16SS101J		R 1136	(B,132,60)	RS1/16SS101J	E
				R 1141	(B,143,39) (B,C,D,E)	RS1/16SS0R0J	
R 888	(B,75,47)	RS1/16SS101J					
R 892	(A,128,52)	RS1/16SS473J		R 1142	(B,134,39)	RS1/10SR0R0J	
R 893	(A,124,52)	RS1/16SS183J		R 1143	(B,131,45)	RS1/16SS470J	
R 895	(A,127,54)	RS1/16SS222J		R 1144	(B,144,44) (B,C,D,E)	RS1/16SS104J	
R 896	(A,121,55)	RS1/16SS222J		R 1145	(B,145,44) (B,C,D,E)	RS1/16SS101J	
				R 1148	(B,141,44) (A,F)	RS1/16SS0R0J	
R 897	(A,114,56)	RS1/16SS220J		R 1149	(B,143,47) (A,F)	RS1/16SS0R0J	
R 898	(A,120,53)	RS1/16SS222J		R 1214	(B,135,96)	RS1/16SS0R0J	
R 902	(B,106,64)	RS1/16SS820J					
R 904	(B,114,61)	RS1/16SS103J		R 1228	(B,140,69)	RS1/16SS0R0J	
R 906	(A,115,53)	RS1/16SS561J		R 1232	(B,134,96)	RS1/16SS0R0J	F
				R 1236	(A,127,84)	RS1/10SR0R0J	
R 908	(A,111,53)	RS1/16SS561J		R 1271	(B,124,83)	RS1/16SS103J	
R 910	(A,115,52)	RS1/16SS561J		R 1272	(B,119,80)	RS1/16SS684J	
R 912	(A,111,52)	RS1/16SS561J					

	1	2	3	4
	<u>Circuit Symbol and No.</u>	<u>Part No.</u>	<u>Circuit Symbol and No.</u>	<u>Part No.</u>
	R 1286 (B,119,82)	RS1/16SS100J	R 3127 (A,32,106)	RS1/16SS122J
	R 1287 (B,119,85)	RS1/16SS102J	R 3128 (A,28,108)	RS1/16SS152J
	R 1301 (A,96,110)	RS1/16SS683J	R 3129 (A,23,110)	RS1/16SS0R0J
A	R 1302 (A,98,110)	RS1/16SS683J	R 3152 (A,148,107)	RS1/16SS223J
	R 1303 (A,97,112)	RS1/16SS152J	R 3153 (A,147,106)	RS1/16SS223J
	R 1304 (A,97,113)	RS1/16SS101J	R 3162 (A,144,104)	RS1/16SS223J
	R 1306 (A,74,111)	RS1/16SS103J	R 3164 (A,142,104)	RS1/16SS223J
	R 1308 (A,92,101)	RS1/16SS103J	R 3168 (A,135,103)	RS1/16SS223J
	R 1309 (A,87,106)	RS1/16SS104J	R 3171 (A,133,103)	RS1/16SS223J
	R 1310 (A,86,107)	RS1/16SS473J	R 3174 (A,125,103)	RS1/16SS223J
	R 1314 (A,81,110)	RS1/16SS473J	R 3177 (A,124,103)	RS1/16SS223J
	R 1315 (A,81,112)	RS1/16SS102J	R 3193 (B,154,104)	RS1/16SS103J
	R 1316 (A,76,111)	RS1/16SS0R0J	R 3194 (B,155,98)	RS1/16SS2402D
	R 2009 (B,34,41)	RS1/16SS102J	R 3195 (B,152,102)	RS1/16SS102J
B	R 2015 (A,69,85) (A)	RS1/4SA0R0J	R 3196 (B,158,103)	RS1/16SS103J
	R 2204 (A,45,72)	RS1/16SS103J	R 3197 (B,155,104)	RS1/16SS103J
	R 2206 (A,44,72)	RS1/16SS103J	R 3221 (B,73,73)	RS1/16SS0R0J
	R 2207 (A,44,68)	RS1/16SS472J	R 3222 (B,79,71)	RS1/16SS271J
	R 2208 (A,43,66)	RS1/16SS472J	R 3223 (B,78,70)	RS1/16SS684J
	R 2209 (A,43,70)	RS1/16SS101J	R 3224 (B,75,73)	RS1/16SS1802D
	R 2210 (A,42,70)	RS1/16SS101J	R 3225 (B,78,72)	RS1/16SS1302D
	R 2212 (A,30,83)	RS1/16SS391J	R 3226 (B,72,70)	RS1/16SS682J
	R 2213 (B,22,102)	RS1/16SS105J	R 3227 (B,72,71)	RS1/16SS103J
	R 2214 (A,29,89)	RS1/16SS105J	R 3229 (A,72,46)	RS1/16SS0R0J
	R 2242 (A,47,74)	RS1/16SS0R0J	R 3231 (B,98,79)	RS1/16SS101J
C	R 2243 (A,40,79)	RS1/16SS0R0J	R 3232 (B,107,67)	RS1/16SS101J
	R 2244 (A,39,79)	RS1/16SS0R0J	R 3233 (B,91,76)	RS1/16SS101J
	R 2246 (A,81,65)	RS1/10SR0R0J	R 4008 (A,94,27)	RAB4CQ750J
	R 2247 (B,81,7)	RS1/10SR0R0J	R 4009 (B,128,38)	RS1/16SS223J
	R 2401 (B,165,91)	RS1/16SS752J	R 4010 (B,127,37)	RS1/16SS223J
	R 2402 (B,158,96)	RS1/16SS102J	R 4011 (B,124,38)	RS1/16SS562J
	R 2403 (B,159,96)	RS1/16SS102J	R 4012 (B,153,20)	RS1/16SS102J
	R 2404 (B,156,96)	RS1/16SS102J	R 4013 (B,148,20)	RS1/16SS102J
	R 2405 (B,163,80)	RS1/16SS224J	R 4014 (B,146,20)	RS1/16SS471J
	R 2406 (B,160,80)	RS1/16SS1202D	R 4015 (B,140,20)	RS1/16SS471J
D	R 2407 (B,162,93)	RS1/16SS152J	R 4019 (B,125,40)	RS1/16SS272J
	R 2408 (B,161,93)	RS1/16SS3302D	R 4020 (B,123,40)	RS1/16SS272J
	R 2409 (B,165,92)	RS1/16SS8201D	R 4033 (B,46,28) (A)	RS1/16SS471J
	R 2410 (B,157,96)	RS1/16SS102J	R 4034 (B,43,28) (A)	RS1/16SS223J
	R 2413 (B,167,87)	RS1/16SS394J	R 4035 (B,44,27) (A)	RS1/16SS223J
	R 2414 (B,166,87)	RS1/16SS204J	R 4036 (B,42,29) (A)	RS1/16SS181J
	R 2416 (B,160,81)	RS1/16SS0R0J	R 4037 (B,42,27) (A)	RS1/16SS181J
	R 2420 (B,167,86)	RS1/16SS104J	R 4038 (B,7,30) (A)	RS1/10SR822J
	R 2421 (A,170,84) 0.039 ohm	CCN1325	R 4039 (B,20,31) (A)	RS1/10SR471J
	R 2505 (A,157,14)	RS1/16SS471J	R 4045 (B,7,28) (A)	RS1/16SS104J
	R 2506 (A,156,12)	RS1/16SS221J	R 4048 (B,156,45)	RS1/16SS75R0D
E	R 2507 (A,155,12)	RS1/16SS221J	R 4054 (B,67,38) (A)	RS1/16SS101J
	R 2508 (A,154,16)	RS1/16SS221J	R 4055 (B,61,33) (A)	RS1/16SS103J
	R 2509 (A,153,15)	RS1/16SS221J	R 4058 (B,51,26) (A)	RS1/16SS104J
	R 2510 (A,152,12)	RS1/16SS221J	R 4059 (B,30,24) (A)	RS1/16SS0R0J
	R 2511 (A,144,30)	RS1/10SR121J	R 4060 (B,31,20) (A)	RS1/16SS0R0J
	R 2516 (B,147,15)	RS1/10SR0R0J	R 4061 (B,30,25) (A)	RS1/16SS102J
	R 3058 (B,80,87)	RS1/16SS562J	R 4062 (B,33,20) (A)	RS1/16SS102J
	R 3059 (B,78,87)	RS1/16SS332J	R 4064 (B,17,38) (A)	RS1/16SS471J
	R 3060 (B,78,83)	RS1/16SS103J	R 4065 (B,142,26)	RS1/16SS103J
	R 3061 (B,76,83)	RS1/16SS103J	<b>CAPACITORS</b>	
F	R 3062 (B,80,85)	RS1/10SR222J	C 1 (B,66,124)	CKSRYB104K50
	R 3118 (A,30,111)	RS1/16SS223J	C 4 (A,163,61) 4 700 uF/16 V	CCH1328
	R 3119 (A,31,111)	RS1/16SS223J	C 5 (A,166,73) 10 uF	CCG1236
	R 3126 (A,30,110)	RS1/16SS103J		

5		6		7		8	
<u>Circuit Symbol and No.</u>		<u>Part No.</u>		<u>Circuit Symbol and No.</u>		<u>Part No.</u>	
C 6	(A,164,71)	CKSSYB102K50		C 351	(A,159,51)	CEVW470M16	
C 7	(B,49,120)	CCSSCH102J50		C 352	(A,153,52)	CKSSYB103K16	
C 8	(B,50,108)	CCSSCH102J50		C 353	(A,153,53) 10 uF	CCG1192	A
C 9	(B,47,120)	CCSSCH102J50		C 356	(B,154,59)	CKSSYB682K25	
C 10	(B,49,108)	CCSSCH102J50		C 357	(B,158,60)	CKSSYB103K16	
C 11	(B,53,106)	CKSSYB102K50		C 358	(B,160,69) 10 uF	CCG1236	
C 12	(B,44,120)	CCSSCH102J50		C 359	(B,156,70)	CKSRYB103K50	
C 13	(B,48,108)	CCSSCH102J50		C 401	(A,52,53)	CCSSCH100D50	
C 14	(B,42,120)	CCSSCH102J50		C 402	(A,47,50)	CCSSCH120J50	
C 15	(B,47,108)	CCSSCH102J50		C 403	(A,45,53)	CKSRYB105K10	
C 16	(B,51,108)	CKSSYB102K50		C 404	(A,45,52)	CKSSYB104K10	
C 17	(B,52,120)	CKSSYB102K50		C 405	(A,42,53)	CKSRYB105K10	
C 18	(B,59,122)	CKSSYB102K50		C 406	(A,43,52)	CKSSYB104K10	
C 19	(B,54,120)	CKSSYB102K50		C 407	(A,44,50)	CKSSYB102K50	B
C 21	(B,61,127)	CKSRYB105K10		C 408	(A,35,45)	CKSSYB104K10	
C 23	(B,66,122)	CKSSYB102K50		C 409	(A,37,29)	CKSSYB104K10	
C 24	(B,68,106)	CKSSYB102K50		C 410	(A,35,29)	CKSRYB105K10	
C 41	(A,71,119)	CKSSYB104K16		C 414	(A,50,25)	CKSSYB104K10	
C 101	(A,60,90)	XCEHAT331M16		C 415	(A,49,23)	CKSRYB105K10	
C 102	(B,49,105)	CKSRYB104K50		C 419	(A,63,50) 0.1 uF	CCG1321	
C 103	(B,47,101)	CKSSYB104K10		C 420	(A,65,51)	CKSSYB103K16	
C 104	(A,69,92)	CEVW470M16		C 421	(A,64,51)	CCSSCH102J50	
C 111	(A,93,90)	CKSQYB105K25		C 422	(A,62,43)	CKSSYB104K10	
C 112	(A,100,88)	CKSSYB104K16		C 423	(A,63,42)	CKSRYB105K10	
C 114	(A,95,90)	CKSRYB104K50		C 424	(B,58,42)	CKSSYB104K10	C
C 115	(A,110,91) 4.7 uF	CCG1222		C 425	(A,62,48)	CKSSYB104K10	
C 116	(A,112,95)	CCSRCH101J50		C 427	(A,62,53)	CKSSYB104K10	
C 141	(A,121,59)	CKSRYB105K10		C 429	(A,65,43)	CKSSYB104K10	
C 142	(A,123,63)	CKSRYB105K10		C 430	(A,65,45)	CKSSYB104K10	
C 143	(A,125,63)	CKSSYB104K10		C 432	(A,63,39)	CKSSYB104K10	
C 160	(B,160,74) 10 uF	DCH1201		C 433	(B,58,41)	CKSSYB104K10	
C 161	(B,158,75) 10 uF	DCH1201		C 436	(A,62,37)	CCSSCH471J50	
C 231	(B,123,69)	CKSRYB105K10		C 601	(A,102,63)	CKSSYB104K10	
C 232	(B,117,69)	CKSRYB105K10		C 602	(A,101,64)	CKSRYB104K16	
C 271	(B,146,25)	CKSRYB105K16		C 603	(A,97,62)	CKSSYB104K10	
C 272	(B,146,31)	CKSRYB105K16		C 604	(A,96,63)	CKSSYB104K10	D
C 301	(B,151,39)	CCSSCH471J50		C 605	(A,93,62)	CKSSYB104K10	
C 302	(B,152,42)	CKSSYB103K16		C 606	(A,91,65)	CKSSYB104K10	
C 303	(B,154,41)	CCSSCH8R0D50		C 607	(A,90,67)	CKSRYB105K10	
C 304	(B,165,40)	CCSSCH8R0D50		C 608	(B,84,58)	CKSSYB104K10	
C 305	(B,167,41)	CKSSYB103K16		C 609	(B,82,58)	CKSRYB105K10	
C 306	(B,167,38)	CCSSCH102J50		C 610	(B,83,64)	CKSSYB104K10	
C 307	(B,164,31)	CKSSYB102K50		C 611	(B,82,64)	CKSSYB104K10	
C 308	(B,164,32)	CKSSYB104K10		C 612	(B,78,63)	CKSSYB104K10	
C 309	(B,163,27) 10 uF	CCG1236		C 613	(A,80,66)	CCSSCH120J50	
C 310	(B,163,29) 10 uF	CCG1236		C 614	(A,74,64)	CCSSCH100D50	
C 311	(B,163,24) 47 uF	CCG1229		C 616	(B,72,60)	CKSSYB104K10	E
C 316	(B,165,37)	CKSSYB104K10		C 617	(A,74,60)	CKSSYB104K10	
C 319	(B,165,42)	CKSSYB104K16		C 618	(B,79,58)	CKSSYB104K10	
C 320	(B,151,43)	CKSSYB104K16		C 619	(B,77,56) 1 uF	DCH1246	
C 321	(B,153,37)	CKSSYB104K10		C 620	(A,75,53) 1 uF	DCH1246	
C 322	(B,152,39)	CKSRYB105K10		C 621	(A,74,52)	CKSSYB104K10	
C 324	(B,156,27) 47 uF	CCG1229		C 622	(A,75,51)	CKSSYB104K10	
C 325	(B,157,30) 10 uF	CCG1192		C 624	(A,73,48)	CKSSYB104K10	
C 326	(B,157,32) 10 uF	CCG1192		C 625	(A,75,47)	CKSSYB104K10	
C 327	(B,158,33)	CKSSYB104K10		C 626	(A,74,42)	CKSSYB104K10	
C 328	(B,158,34)	CKSSYB102K50		C 627	(A,75,42)	CKSSYB104K10	F
C 330	(B,161,46)	CKSRYB473K50		C 628	(A,75,36)	CKSSYB104K10	
C 331	(B,159,46)	CKSSYB102K50		C 629	(A,74,35)	CKSSYB104K10	
C 334	(B,159,49) 10 uF	CCG1236		C 631	(B,81,31)	CKSRYB104K16	

	1	2	3	4
	<u>Circuit Symbol and No.</u>	<u>Part No.</u>	<u>Circuit Symbol and No.</u>	<u>Part No.</u>
	C 632 (B,84,31)	CKSSYB104K10	C 892 (A,122,52)	CKSSYB104K10
	C 633 (B,86,31)	CKSRYB104K16	C 893 (A,121,53)	CKSSYB103K16
A	C 634 (B,89,31)	CKSRYB104K16	C 901 (B,109,61)	CCSSCH560J50
	C 635 (A,93,29)	CKSRYB104K16	C 902 (B,116,61) 10 uF	CCG1192
	C 636 (A,98,27)	CKSSYB104K10	C 903 (B,115,55)	CKSSYB104K10
	C 637 (A,98,29)	CKSRYB104K16	C 904 (B,108,49)	CKSSYB103K16
	C 638 (A,101,29)	CKSRYB104K16	C 905 (B,104,51)	CKSSYB103K16
	C 639 (A,108,34)	CKSRYB104K16	C 906 (B,104,49) 10 uF	CCG1192
	C 641 (A,108,37)	CKSRYB104K16	C 907 (B,106,50)	CKSSYB103K16
	C 642 (A,109,40)	CKSRYB104K16	C 908 (B,105,44) 10 uF	CCG1192
	C 643 (A,108,41)	CKSSYB104K10	C 909 (B,104,55)	CKSSYB103K16
	C 644 (A,108,42)	CKSRYB104K16	C 910 (B,111,62)	CKSSYB104K10
	C 645 (A,108,45)	CKSRYB104K16	C 912 (B,109,60)	CKSSYB104K10
B	C 646 (A,109,49)	CKSSYB104K10	C 931 (B,95,79) 10 uF	CCG1192
	C 647 (A,108,50)	CKSSYB104K10	C 932 (B,104,67) 10 uF	CCG1192
	C 648 (A,107,53)	CKSSYB104K10	C 933 (B,90,74) 10 uF	CCG1192
	C 649 (A,107,59)	CKSSYB104K10	C 934 (B,93,71) 10 uF	CCG1192
	C 651 (B,87,34) 0.1 uF	CCG1321	C 935 (B,95,77) 10 uF	CCG1192
	C 652 (B,92,32)	CCSSCH330J50	C 936 (B,101,77) 10 uF	CCG1192
	C 653 (A,75,26)	CCSSCH330J50	C 937 (B,100,66)	CKSSYB103K16
	C 654 (B,151,95)	CKSRYB105K10	C 938 (A,88,64)	CKSRYB105K10
	C 655 (B,151,88)	CKSSYB104K10	C 939 (A,88,68)	CKSRYB105K10
	C 656 (A,108,25)	CCSRCH102J50	C 940 (A,87,64)	CKSRYB105K10
	C 657 (A,108,28) 0.1 uF	CCG1321	C 941 (A,86,68)	CKSRYB105K10
C	C 658 (A,109,28)	CCSRCH102J50	C 942 (A,85,64)	CKSRYB105K10
	C 661 (A,111,30) 10 uF	DCH1201	C 943 (A,85,68)	CKSRYB105K10
	C 664 (A,111,25) 10 uF	DCH1201	C 944 (A,118,65)	CEVW470M16
	C 668 (B,84,17)	CCSSCH560J50	C 1101 (B,144,50)	CKSRYB105K10
	C 669 (B,82,17)	CCSSCH560J50	C 1102 (B,144,49)	CKSSYB104K10
	C 670 (B,82,21)	CCSSCH560J50	C 1106 (B,142,42)	CKSSYB104K10
	C 671 (B,81,21)	CCSSCH560J50	C 1108 (B,141,42)	CKSSYB104K10
	C 672 (B,80,18)	CCSSCH560J50	C 1110 (B,140,42)	CKSSYB104K10
	C 673 (B,79,18)	CCSSCH560J50	C 1112 (B,139,42)	CKSSYB104K10
	C 674 (B,89,22)	CCSSCH560J50	C 1114 (B,138,42)	CKSSYB104K10
	C 675 (B,89,17)	CCSSCH560J50	C 1115 (B,134,58)	CKSRYB105K10
D	C 676 (B,85,22)	CCSSCH560J50	C 1116 (B,137,42)	CKSSYB104K10
	C 677 (B,84,22)	CCSSCH560J50	C 1117 (B,133,58)	CKSRYB105K10
	C 678 (B,86,16)	CCSSCH560J50	C 1118 (B,136,42)	CKSSYB104K10
	C 679 (B,85,16)	CCSSCH560J50	C 1119 (B,132,58)	CKSRYB105K10
	C 680 (B,90,24)	CCSSCH560J50	C 1120 (B,135,42)	CKSSYB104K10
	C 681 (B,89,23)	CCSSCH560J50	C 1122 (B,134,42)	CKSSYB104K10
	C 682 (B,91,18)	CCSSCH560J50	C 1124 (B,133,42)	CKSSYB104K10
	C 683 (B,91,23)	CCSSCH560J50	C 1126 (B,132,42)	CKSSYB104K10
	C 684 (B,90,17)	CCSSCH560J50	C 1127 (B,127,48) 10 uF	CCG1192
	C 685 (B,87,22)	CCSSCH560J50	C 1128 (B,131,47)	CKSSYB104K10
	C 700 (A,109,33)	CCSSCH8R0D50	C 1129 (B,131,48)	CKSSYB104K10
E	C 821 (B,75,65) 10 uF	CCG1192	C 1132 (B,130,53) 10 uF	CCG1192
	C 823 (A,84,65)	CKSRYB105K10	C 1133 (B,129,49) 10 uF	CCG1192
	C 824 (A,83,68)	CKSRYB105K10	C 1134 (B,145,47) (B,C,D,E)	CKSSYB104K10
	C 851 (B,96,11)	CKSSYB104K10	C 1135 (B,130,45)	CCSSCH181J50
	C 852 (B,96,13)	CKSSYB104K10	C 1136 (B,143,54)	CKSRYB105K10
	C 853 (B,95,21)	CKSSYB104K10	C 1137 (B,144,54)	CKSRYB105K10
	C 854 (B,97,20)	CKSSYB104K10	C 1138 (B,145,54)	CKSRYB105K10
	C 855 (B,97,31)	CKSSYB104K10	C 1201 (B,130,85) (A)	CKSRYB105K10
	C 856 (B,111,20)	CKSSYB104K10	C 1202 (A,135,88)	CEVW470M16
	C 857 (B,111,15)	CKSSYB104K10	C 1203 (A,131,83)	CKSSYB104K10
F	C 858 (B,113,23)	CCSSCH8R0D50	C 1206 (A,125,77)	CEVW470M16
	C 871 (B,83,50)	CKSSYB104K10	C 1207 (B,132,86) (A)	CKSRYB105K10
	C 882 (B,84,40)	CKSSYB104K10	C 1208 (B,131,89)	CKSRYB105K10
	C 891 (A,121,50)	CKSSYB104K10	C 1209 (B,133,89)	CKSRYB105K10



5		6		7		8	
<u>Circuit Symbol and No.</u>		<u>Part No.</u>		<u>Circuit Symbol and No.</u>		<u>Part No.</u>	
C 1210	(B,133,92)	CKSRYB105K10		C 2209	(A,41,79)	CKSSYB102K50	
C 1211	(B,134,92)	CKSRYB105K10		C 2210	(A,37,77)	CKSSYB104K10	
C 1212	(B,135,89)	CKSRYB105K10		C 2212	(A,36,90)	CCSSCH220J50	
C 1213	(B,136,89)	CKSRYB105K10		C 2213	(A,36,89)	CCSSCH271J50	A
C 1214	(B,137,92)	CKSRYB105K10		C 2216	(A,40,70)	CKSSYB104K10	
C 1215	(B,138,92)	CKSRYB105K10		C 2219	(A,32,80)	CCSSCH102J50	
C 1216	(B,138,89)	CKSRYB105K10		C 2220	(A,33,92)	CCSSCH471J50	
C 1217	(B,140,89)	CKSRYB105K10		C 2224	(A,35,75)	CKSSYB152K50	
C 1218	(B,140,92)	CKSRYB105K10		C 2234	(A,34,93)	CCSSCH100D50	
C 1219	(B,141,92)	CKSRYB105K10		C 2238	(A,51,78)	CKSSYB102K50	
C 1220	(B,142,89)	CKSRYB105K10		C 2401	(B,166,90)	CKSSYB222K50	
C 1221	(B,144,88) (A)	CKSRYB105K10		C 2402	(B,165,90)	CCSSCH270J50	
C 1222	(B,145,85) (A)	CKSRYB105K10		C 2403	(B,157,81)	CKSSYB104K16	
C 1223	(A,143,77)	CEVW470M16		C 2404	(A,159,92)	CEVW470M16	B
C 1224	(A,133,76) 10 uF	CCG1332		C 2405	(A,167,92)	CEVW101M16	
C 1225	(A,130,69)	CKSSYB104K10		C 2406	(B,166,88)	CKSRYB105K10	
C 1226	(A,134,67)	CEVW470M16		C 2407	(B,162,80)	CKSSYB102K50	
C 1228	(B,139,72)	CKSSYB104K10		C 2408	(B,164,80)	CKSSYB472K25	
C 1229	(B,135,72)	CKSSYB104K10		C 2409	(B,159,80)	CKSSYB104K16	
C 1231	(A,129,82)	CCSSCH151J50		C 2410	(B,163,92)	CCSSCH681J50	
C 1232	(A,129,83)	CKSSYB102K50		C 2412	(B,160,92) 0.1 uF	CCG1286	
C 1234	(A,142,83)	CCSSCH151J50		C 2414	(A,170,87)	CKSSYB104K10	
C 1237	(B,126,78) 0.1 uF	CCG1311		C 2415	(A,166,84) 22 uF	CCG1254	
C 1238	(B,147,79) 0.1 uF	CCG1311		C 2504	(B,163,13)	CKSSYB104K16	
C 1239	(A,142,94)	CKSSYB102K50		C 2506	(B,154,9)	CCSSCH221J50	C
C 1271	(B,104,84) 1 uF	CCG1255		C 2509	(A,141,25)	CKSSYB104K10	
C 1272	(B,118,89) 1 uF	CCG1325		C 2512	(A,143,32)	CCSSCH390J50	
C 1273	(B,120,89) 1 uF	CCG1325		C 2513	(A,166,15) 10 uF	DCH1201	
C 1274	(B,122,89) 1 uF	CCG1325		C 2514	(A,167,15) 10 uF	DCH1201	
C 1275	(B,124,89) 1 uF	CCG1325		C 3006	(A,94,9) 10 uF	CCG1192	
C 1276	(B,125,89) 1 uF	CCG1325		C 3007	(A,85,10)	CEVW101M16	
C 1277	(B,118,75) 1 uF	CCG1255		C 3125	(A,32,108)	CKSSYB471K50	
C 1278	(B,120,80) 1 uF	CCG1255		C 3126	(A,52,62)	CCSSCH102J50	
C 1279	(B,122,80) 1 uF	CCG1255		C 3127	(B,25,129)	CKSRYB102K50	
C 1280	(B,106,80) 1 uF	CCG1255		C 3128	(B,32,129)	CKSRYB102K50	
C 1282	(B,102,84) 1 uF	CCG1255		C 3129	(B,34,129)	CKSRYB102K50	D
C 1283	(B,127,89) 1 uF	CCG1325		C 3130	(B,26,129)	CCSSCH101J50	
C 1301	(A,100,112) 4.7 uF	CCG1201		C 3151	(A,161,105)	CKSRYB104K50	
C 1302	(B,91,107)	CKSRYB103K50		C 3152	(A,151,105)	CKSRYB104K50	
C 1303	(B,85,107)	CKSRYB103K50		C 3154	(A,137,107)	CKSRYB104K50	
C 1304	(B,93,108)	CKSRYB474K16		C 3156	(B,144,97)	CCSSCH271J50	
C 1305	(B,83,108)	CKSRYB474K16		C 3157	(B,145,92)	CKSRYB102K50	
C 1306	(A,93,111)	CKSQYB225K16		C 3161	(A,144,105) (A)	CCSSCH270J50	
C 1307	(A,87,111) 4.7 uF	CCG1291		C 3162	(A,142,105) (A)	CCSSCH270J50	
C 1308	(A,82,109)	CKSRYB104K50		C 3163	(A,135,104) (A)	CCSSCH270J50	
C 1313	(A,82,97) 4 700 uF/16 V	CCH2085		C 3164	(A,133,104) (A)	CCSSCH270J50	
C 1315	(A,85,112) 0.1 uF	CCG1311		C 3165	(A,125,104) (A)	CCSSCH270J50	E
C 1316	(A,84,108) 10 uF	CCG1192		C 3166	(A,124,104) (A)	CCSSCH270J50	
C 1318	(B,89,107)	CKSQYB474K25		C 3167	(A,147,103) 4.7 uF	CCG1201	
C 1319	(B,87,107)	CKSQYB474K25		C 3168	(A,139,103) 4.7 uF	CCG1201	
C 1320	(A,89,111) 4.7 uF	CCG1291		C 3169	(A,137,103) 4.7 uF	CCG1201	
C 2010	(A,34,57)	CKSRYB105K10		C 3170	(A,130,103) 4.7 uF	CCG1201	
C 2011	(A,42,59)	CKSRYB105K10		C 3171	(A,128,103) 4.7 uF	CCG1201	
C 2017	(A,34,60)	CKSSYB104K10		C 3172	(A,121,103) 4.7 uF	CCG1201	
C 2202	(A,50,61)	CKSSYB104K10		C 3191	(B,160,98) 10 uF	DCH1201	
C 2203	(A,50,65)	CKSSYB104K10		C 3192	(B,154,97)	CKSSYB104K10	
C 2204	(A,51,64) 10 uF	DCH1201		C 3221	(B,75,72)	CKSSYB104K10	F
C 2205	(A,40,65) 10 uF	DCH1201		C 3222	(B,77,72)	CKSSYB104K10	
C 2206	(A,43,77)	CKSSYB104K10		C 3231	(B,80,72)	CKSSYB104K10	
C 2208	(A,41,78)	CKSSYB224K6R3		C 3232	(B,113,73) 10 uF	CCG1192	

1

2

3

4

**Circuit Symbol and No.****Part No.****Circuit Symbol and No.****Part No.**

C 3233 (B,88,76) CKSSYB104K10  
 C 3234 (B,113,71) CKSSYB104K10  
 C 3235 (B,99,79) CKSSYB104K10

CN5001 (A,117,11) FFC/FPC Connector CKS6625  
 CN5002 (A,134,17) Connector CKS4428  
 CN5003 (A,60,63) FFC/FPC Connector CKS6646  
 CN5004 (A,116,36) Connector CKS6063  
 CN5301 (A,34,36) FFC/FPC Connector CKS6646

A

C 3236 (B,86,72) CKSRYB105K10  
 C 3237 (B,86,74) CKSRYB105K10  
 C 3238 (B,92,81) CKSRYB105K10  
 C 3239 (B,89,81) CKSRYB105K10  
 C 3240 (B,110,72) CKSRYB105K10

**RESISTORS**

R 5006 (A,117,19) RS1/16SS241J  
 R 5010 (A,118,21) RS1/16SS681J  
 R 5011 (A,118,23) RS1/16SS181J  
 R 5012 (B,119,24) RS1/16SS560J  
 R 5021 (A,105,37) RS1/16SS680J  
 R 5022 (A,106,37) RS1/16SS560J

C 3241 (B,108,68) CKSRYB105K10  
 C 3242 (B,95,82) CKSRYB105K10  
 C 3243 (B,95,81) CKSRYB105K10  
 C 4001 (B,28,34) (A) CKSSYB104K10  
 C 4002 (B,22,36) (A) CKSSYB104K10

R 5024 (A,101,34) RS1/16SS680J  
 R 5025 (A,101,35) RS1/16SS560J  
 R 5027 (A,98,39) RS1/16SS680J  
 R 5028 (A,98,37) RS1/16SS560J  
 R 5030 (A,105,36) RS1/16SS272J

B

C 4013 (A,9,27) (A) CKSRYB104K50  
 C 4014 (B,143,40) CKSSYB102K50  
 C 4015 (B,150,20) CKSSYB102K50  
 C 4016 (B,151,20) CKSSYB102K50  
 C 4017 (B,144,20) CCSSCH180J50

R 5031 (A,103,34) RS1/16SS272J  
 R 5032 (A,98,40) RS1/16SS272J  
 R 5033 (A,77,9) RS1/16SS183J  
 R 5040 (A,97,72) RS1/16SS0R0J  
 R 5104 (B,109,56) RS1/16SS104J

C 4018 (B,142,20) CCSSCH180J50  
 C 4019 (B,73,27) CKSSYB102K50  
 C 4020 (B,73,30) CKSSYB102K50

R 5105 (B,105,50) RS1/16SS104J  
 R 5106 (B,102,55) RS1/16SS102J  
 R 5107 (A,106,50) RS1/16SS223J  
 R 5109 (A,106,48) RS1/16SS563J  
 R 5110 (A,109,48) RS1/16SS104J

C 4023 (B,144,27) CKSSYB102K50  
 C 4024 (B,66,36) (A) CKSSYB104K10  
 C 4026 (B,56,34) (A) CKSSYB104K10  
 C 4039 (B,157,44) CKSSYB221K50  
 C 4040 (B,158,45) CKSSYB102K50

R 5111 (A,110,48) RS1/16SS101J  
 R 5112 (A,112,57) RS1/16SS102J  
 R 5113 (A,112,55) RS1/16SS2702D  
 R 5114 (A,113,55) RS1/16SS3901D  
 R 5119 (B,114,57) RS1/16SS105J

C 4041 (A,126,30) CCSRCH102J50

R 5121 (B,114,55) RS1/16SS154J  
 R 5123 (A,105,56) RS1/8SQ2R2J  
 R 5201 (A,29,63) RS1/16SS8201D  
 R 5202 (A,29,61) RS1/16SS6800D  
 R 5203 (A,30,62) RS1/16SS1502D

D

IC 5001 (A,115,22) Interface IC AK4187VN  
 IC 5101 (A,108,53) Display IC OZ527ILN  
 IC 5201 (A,27,57) DC/DC CONV IC R1290K103A  
 Q 5001 (A,103,36) Chip Transistor HN1C01FU  
 Q 5002 (A,101,39) Bipolar TR LSCR523UB

R 5206 (B,23,58) RS1/16SS9102D  
 R 5207 (B,29,60) RS1/16SS1802D  
 R 5208 (B,30,59) RS1/16SS203J  
 R 5209 (B,30,55) RS1/16SS104J  
 R 5210 (A,22,58) RS1/16SS103J

Q 5201 (A,32,63) Resistor Built-IN TR LTC024EEB  
 Q 5202 (A,20,59) Transistor 2SAR502UB  
 Q 5301 (A,38,58) Bipolar TR LSAR523UB  
 Q 5302 (A,41,54) Bipolar TR LSCR523UB  
 D 5001 (B,120,16) Diode DZ2S068C

R 5211 (A,33,58) RS1/16SS472J  
 R 5212 (B,26,61) RS1/16SS1003D  
 R 5213 (B,27,62) RS1/16SS9101D  
 R 5214 (A,20,50) RS1/8SQ2R2J  
 R 5216 (A,31,53) RS1/16SS1203D

E

D 5002 (B,119,19) Diode DZ2S068C  
 D 5003 (B,116,18) Diode DZ2S068C  
 D 5004 (B,115,16) Diode DZ2S068C  
 D 5005 (A,109,32) Diode DZ2S068C  
 D 5006 (A,109,33) Diode DZ2S068C

R 5217 (A,31,54) RS1/16SS3001D  
 R 5218 (A,33,54) RS1/16SS1502D  
 R 5219 (A,30,53) RS1/16SS472J  
 R 5220 (A,29,51) RS1/16SS0R0J  
 R 5231 (A,21,63) RS1/16SS103J  
 R 5232 (A,17,61) RS1/16SS332J

D 5101 (A,107,59) Diode RB060M-30  
 D 5102 (A,80,59) Diode CRG03  
 D 5201 (A,22,50) Schottky Diode RB162M-40  
 D 5202 (B,22,67) Schottky Diode DB3S308F0  
 D 5203 (B,24,66) Schottky Diode DB3S308F0

R 5301 (A,10,39) RS1/16SS3R9J  
 R 5302 (A,10,37) RS1/16SS27R0D  
 R 5303 (A,9,37) RS1/16SS2200D  
 R 5304 (A,10,36) RS1/16SS75R0D  
 R 5305 (A,9,35) RS1/16SS56R0D

F

D 5204 (B,19,61) Schottky Diode DB3S308F0  
 L 5102 (A,102,60) Inductor ATH7068  
 L 5201 (A,21,54) Choke Coil 22 uH CTH1426  
 L 5301 (B,14,38) Inductor CTF1635  
 TH5001 (A,78,5) Thermistor CCX1084

**B****Unit Number: CXX7273****Unit Name : Service Unit(Monitor)****MISCELLANEOUS**

D IC 5001 (A,115,22) Interface IC AK4187VN  
 IC 5101 (A,108,53) Display IC OZ527ILN  
 IC 5201 (A,27,57) DC/DC CONV IC R1290K103A  
 Q 5001 (A,103,36) Chip Transistor HN1C01FU  
 Q 5002 (A,101,39) Bipolar TR LSCR523UB

Q 5201 (A,32,63) Resistor Built-IN TR LTC024EEB  
 Q 5202 (A,20,59) Transistor 2SAR502UB  
 Q 5301 (A,38,58) Bipolar TR LSAR523UB  
 Q 5302 (A,41,54) Bipolar TR LSCR523UB  
 D 5001 (B,120,16) Diode DZ2S068C

D 5002 (B,119,19) Diode DZ2S068C  
 D 5003 (B,116,18) Diode DZ2S068C  
 D 5004 (B,115,16) Diode DZ2S068C  
 D 5005 (A,109,32) Diode DZ2S068C  
 D 5006 (A,109,33) Diode DZ2S068C

D 5101 (A,107,59) Diode RB060M-30  
 D 5102 (A,80,59) Diode CRG03  
 D 5201 (A,22,50) Schottky Diode RB162M-40  
 D 5202 (B,22,67) Schottky Diode DB3S308F0  
 D 5203 (B,24,66) Schottky Diode DB3S308F0

D 5204 (B,19,61) Schottky Diode DB3S308F0  
 L 5102 (A,102,60) Inductor ATH7068  
 L 5201 (A,21,54) Choke Coil 22 uH CTH1426  
 L 5301 (B,14,38) Inductor CTF1635  
 TH5001 (A,78,5) Thermistor CCX1084

1

2

3

4



1

2

3

4

**Circuit Symbol and No.****Part No.****Circuit Symbol and No.****Part No.**

Q 1104 (B,22,54) Transistor 2SB1132  
 L 1501 (A,54,30) Inductor CTF1743  
 L 1511 (A,48,17) Chip Beads VTL1126  
 L 1902 (A,18,17) Inductor CTF1487

R 1487 (A,56,37)  
 R 1488 (A,56,40)  
 R 1489 (A,54,29)

RAB4CQ560J  
 RAB4CQ560J  
 RS1/16SS560J

A

L 1903 (B,64,16) Inductor CTF1558  
 L 1904 (A,68,18) Resistor RS1/16SS0R0J  
 X 1501 (B,48,18) Crystal Resonator CSS1823  
 F 1001 (A,14,19) Chip EMI Filter DTF1106  
 F 1002 (B,64,18) Chip EMI Filter DTL1106

R 1490 (A,73,21)  
 R 1501 (B,49,20)  
 R 1503 (B,47,20)  
 R 1504 (A,50,17)  
 R 1509 (A,21,34)

RS1/16SS560J  
 RS1/16SS122J  
 RS1/16SS105J  
 RS1/16SS121J  
 RS1/16SS102J

S 1 (A,47,55) Lever Switch CSN1090  
 S 3 (B,26,13) Lever Switch CSN1089  
 VR1101 (A,7,63) Semi-fixed CCP1447  
 VR1102 (A,7,59) Semi-fixed 15 kohm(B) CCP1449  
 CN1101 (A,21,63) FFC/FPC Connector CKS6631

R 1510 (A,11,29)  
 R 1512 (A,55,31)  
 R 1513 (A,23,38)  
 R 1514 (A,25,40)  
 R 1516 (A,25,36)

RS1/16SS102J  
 RS1/16SS470J  
 RS1/16SS203J  
 RS1/16SS183J  
 RS1/16SS104J

B

CN1952 (A,42,11) Connector CKS6025

R 1517 (B,58,22)  
 R 1518 (B,34,31)  
 R 1522 (A,21,37)  
 R 1523 (A,23,37)  
 R 1524 (B,29,33)

RS1/16SS103J  
 RS1/16SS103J  
 RS1/16SS104J  
 RS1/16SS221J  
 RS1/16SS472J

**RESISTORS**

R 1004 (B,12,20) RS1/16SS4702F  
 R 1007 (B,12,21) RS1/16SS6801F  
 R 1019 (B,34,7) RS1/16SS101J  
 R 1025 (B,36,6) RS1/16SS101J  
 R 1027 (A,40,18) RS1/16SS101J

R 1525 (A,25,44)  
 R 1526 (A,23,40)  
 R 1527 (A,35,48)  
 R 1528 (B,20,33)  
 R 1529 (B,35,21)

RS1/16SS103J  
 RS1/16SS103J  
 RS1/16SS682J  
 RS1/16SS103J  
 RS1/16SS103J

C

R 1101 (A,111,67) (B,15,57) RS1/16SS104J  
 R 1102 (B,130,60) (B,11,56) RS1/16SS104J  
 R 1103 (B,127,60) (B,14,61) RS1/16SS4300F  
 R 1104 (B,11,58) RS1/16SS5100F  
 R 1105 (B,17,54) RS1/16SS4300F

R 1530 (B,18,33)  
 R 1531 (B,34,30)  
 R 1533 (A,29,48)  
 R 1534 (B,29,48)  
 R 1535 (A,22,44)

RS1/16SS103J  
 RS1/16SS103J  
 RS1/16SS104J  
 RS1/16SS221J  
 RS1/16SS104J

R 1106 (B,10,57) RS1/16SS5600F  
 R 1109 (B,6,57) RS1/16SS3R3J  
 R 1110 (A,133,49) (B,16,54) RS1/16SS3R3J  
 R 1111 (B,143,40) (B,6,63) RS1/10SR3R3J  
 R 1112 (B,141,39) (B,5,58) RS1/10SR3R3J

R 1536 (B,32,48)  
 R 1537 (A,25,46)  
 R 1538 (A,56,35)  
 R 1539 (B,34,48)  
 R 1540 (A,26,46)

RS1/16SS104J  
 RS1/16SS104J  
 RS1/16SS104J  
 RS1/16SS104J  
 RS1/16SS221J

D

R 1113 (B,15,59) RS1/10SR3R9J  
 R 1114 (B,19,57) RS1/10SR3R3J  
 R 1115 (B,6,61) RS1/10SR2R7J  
 R 1116 (B,6,62) RS1/10SR2R7J  
 R 1117 (B,18,59) RS1/10SR3R9J

R 1541 (A,26,45)  
 R 1542 (B,27,34)  
 R 1546 (A,33,48)  
 R 1601 (A,32,17)  
 R 1602 (A,32,18)

RS1/16SS221J  
 RS1/16SS103J  
 RS1/16SS682J  
 RS1/16SS123J  
 RS1/16SS123J

R 1118 (B,16,59) RS1/10SR3R9J  
 R 1223 (A,42,50) RS1/16SS561J  
 R 1225 (B,29,7) RS1/16SS471J  
 R 1251 (A,6,48) RS1/16SS333J  
 R 1252 (A,6,47) RS1/16SS473J

R 1603 (B,31,20)  
 R 1604 (A,24,21)  
 R 1605 (A,22,23)  
 R 1670 (B,40,19)  
 R 1671 (B,43,19)

RS1/16SS1002D  
 RS1/16SS105J  
 RS1/16SS105J  
 RS1/16SS1002D  
 RS1/16SS2402D

R 1253 (A,6,46) RS1/16SS333J  
 R 1254 (A,6,45) RS1/16SS473J  
 R 1255 (A,22,48) RS1/16SS183J  
 R 1256 (A,21,45) RS1/16SS153J  
 R 1257 (B,8,37) RS1/16SS221J

R 1672 (A,39,18)  
 R 1674 (A,38,17)  
 R 1982 (A,10,62)  
 R 1983 (B,41,19)  
 R 1990 (B,35,19)

RS1/16SS2000D  
 RS1/16SS3002D  
 RS1/16SS822J  
 RS1/16SS1000D  
 RS1/16SS2000D

E

R 1258 (A,19,39) RS1/16SS221J  
 R 1401 (B,34,28) RS1/16SS221J  
 R 1402 (B,35,47) RS1/16SS104J  
 R 1405 (B,55,35) RS1/16SS104J  
 R 1406 (B,39,45) RS1/16SS472J

R 1991 (B,31,16)  
 R 1996 (B,36,13)  
 R 1997 (B,36,10)  
 R 2002 (A,32,55) (B,43,10)  
 R 2003 (B,32,41) (B,43,8)

RS1/16SS101J  
 RS1/16SS2000D  
 RS1/16SS101J  
 RS1/16SS2000D  
 RS1/16SS101J

R 1480 (A,73,24) RAB4CQ560J  
 R 1481 (A,73,28) RAB4CQ560J  
 R 1482 (A,73,32) RAB4CQ560J  
 R 1483 (A,73,35) RAB4CQ560J  
 R 1484 (A,73,39) RAB4CQ560J

**CAPACITORS**

C 1002 (B,13,17)  
 C 1003 (B,16,18)  
 C 1004 (B,15,17) 4.7 uF  
 C 1005 (B,41,11)  
 C 1010 (B,60,23)

CKSSYB104K16  
 CKSSYB104K16  
 CCG1201  
 CKSRYB105K16  
 CKSQYB225K10

F

R 1485 (A,55,22) RAB4CQ560J  
 R 1486 (A,56,27) RAB4CQ560J

1

2

3

4

5  
**Circuit Symbol and No.**

6  
**Part No.**

7  
**Circuit Symbol and No.**

8  
**Part No.**

C 1011	(B,64,22)	CKSRYP105K10	C 1526	(A,25,37)	CKSSYP103K16
C 1015	(A,26,7)	CKSSYP102K50	C 1528	(B,30,48)	CCSSCH471J50
C 1016	(B,64,15)	CKSSYP102K50	C 1601	(A,32,19)	CKSSYP103K16
C 1018	(B,14,21)	CKSSYP104K10	C 1602	(A,34,17)	CCSSCH101J50
C 1040	(B,59,12)	CCSRCH821J50	C 1603	(A,34,18)	CCSSCH101J50
C 1041	(B,19,12)	CCSRCH271J50	C 1604	(A,30,17)	CCSSCH680J50
C 1101	(B,15,53) 10 uF	CCG1192	C 1605	(A,30,18)	CCSSCH680J50
C 1104	(B,143,43) (B,8,57)	CKSSYP104K10	C 1606	(A,35,19)	CKSSYP104K10
C 1105	(B,18,54)	CKSSYP104K10	C 1607	(A,20,24) 10 uF	CCG1192
C 1106	(B,8,66)	CKSSYP103K16	C 1608	(A,28,18) 4.7 uF	CCG1201
C 1107	(B,26,53)	CKSSYP103K16	C 1609	(A,26,22)	CKSSYP104K10
C 1108	(A,20,56)	CKSSYP103K16	C 1612	(A,24,24)	CKSSYP104K10
C 1109	(A,7,57)	CKSRYP224K16	C 1613	(A,25,25)	CKSSYP104K10
C 1110	(A,18,58)	CKSSYP103K16	C 1614	(A,23,24)	CKSSYP104K10
C 1111	(A,9,66)	CKSRYP224K16	C 1615	(A,23,26)	CKSSYP104K10
C 1112	(B,17,52) 22 uF	DCH1256	C 1616	(A,25,27)	CKSSYP104K10
C 1113	(B,9,58) 22 uF	DCH1256	C 1617	(B,27,28)	CKSSYP104K10
C 1210	(B,77,33)	CKSSYP104K16	C 1618	(A,23,29)	CCSSCH101J50
C 1251	(B,13,41)	CEVW101M16	C 1619	(A,23,30)	CKSSYP562K25
C 1252	(B,8,41) 4.7 uF	CCG1222	C 1620	(B,27,30)	CKSSYP224K6R3
C 1253	(B,8,39)	CKSSYP104K16	C 1621	(A,23,31)	CKSSYP224K6R3
C 1254	(A,6,37)	CKSSYP104K16	C 1622	(A,25,31)	CKSSYP333K16
C 1255	(A,19,37)	CKSSYP104K16	C 1623	(A,27,20)	CKSRYP105K10
C 1401	(B,34,27)	CKSSYP104K16	C 1624	(A,25,32)	CKSSYP104K10
C 1403	(B,39,40)	CKSSYP104K10	C 1625	(A,25,29)	CKSSYP104K10
C 1408	(B,58,27)	CKSSYP104K10	C 1671	(A,42,19)	CKSSYP104K10
C 1410	(B,34,29)	CKSSYP104K16	C 1673	(A,37,17)	CKSSYP104K10
C 1480	(A,71,19)	CKSSYP104K10	C 1674	(B,42,20)	CKSSYP104K10
C 1481	(A,73,22)	CKSSYP104K10	C 1676	(B,38,20)	CKSRYP105K10
C 1482	(A,72,26)	CKSSYP104K10	C 1809	(B,40,17)	CKSSYP102K50
C 1484	(A,73,30)	CKSSYP104K10	C 1953	(B,60,17)	CKSRYP105K10
C 1485	(A,73,41)	CKSSYP104K10	C 1954	(B,55,17)	CKSRYP105K10
C 1487	(A,58,29)	CKSSYP104K10	C 1955	(B,77,40)	CKSSYP104K16
C 1488	(A,57,25)	CKSSYP104K10	C 1962	(B,40,20)	CKSRYP105K10
C 1489	(A,65,17) 10 uF	CCG1192			
C 1490	(A,66,18)	CKSSYP102K50			
C 1501	(B,62,20) 10 uF	CCG1192			
C 1502	(B,55,19) 10 uF	CCG1192			
C 1503	(A,54,33)	CKSSYP104K10			
C 1504	(A,54,24)	CKSSYP104K10			
C 1505	(A,54,27)	CKSSYP104K10			
C 1506	(B,53,34)	CKSSYP104K10			
C 1507	(A,54,36)	CKSSYP104K10			
C 1508	(A,54,38)	CKSSYP104K10			
C 1509	(A,54,42)	CKSSYP104K10			
C 1510	(B,51,18)	CCSSCH120J50			
C 1511	(A,49,18)	CKSSYP104K10			
C 1512	(B,46,18)	CCSSCH120J50			
C 1513	(A,48,47)	CKSSYP104K10			
C 1514	(B,45,20)	CKSSYP104K10			
C 1515	(A,44,19)	CKSSYP104K10			
C 1516	(A,44,47)	CKSSYP104K10			
C 1517	(A,42,47)	CKSSYP104K10			
C 1518	(A,38,47)	CKSSYP104K10			
C 1519	(A,34,47)	CKSSYP104K10			
C 1520	(A,27,47)	CKSSYP104K10			
C 1521	(A,25,33)	CKSSYP104K10			
C 1522	(A,25,38)	CKSSYP104K10			
C 1523	(A,20,45)	CKSSYP104K10			
C 1524	(A,21,48)	CKSSYP473K16			



**Unit Number : CXX7275**

**Unit Name : Service Unit(Keyboard)**

**MISCELLANEOUS**

D 5501	(A,4,45) LED	SMLVN6RGB2UK(B)
S 5501	(A,14,93) Push Switch	CSG1155
S 5502	(A,24,94) Push Switch	CSG1155
S 5503	(A,11,52) Push Switch	CSG1155
S 5504	(A,11,77) Push Switch	CSG1155
S 5505	(A,11,69) Push Switch	CSG1155
S 5506	(A,11,21) Push Switch	CSG1155
S 5507	(A,11,13) Push Switch	CSG1155
S 5508	(A,11,38) Push Switch	CSG1155
S 5509	(A,13,45) Push Switch	CSG1155
U 5501	(A,7,92) IR RC Rec Module	PNJ4833M
CN5501	(B,14,43) Connector	CKS6063

**RESISTORS**

R 5502	(B,11,77)	RS1/16SS470J
R 5504	(A,14,41)	RS1/16SS392J
R 5505	(A,15,24)	RS1/16SS472J
R 5506	(A,15,22)	RS1/16SS123J

1

2

3

4

**Circuit Symbol and No.**

**Part No.**

R 5507 (A,15,78)

RS1/16SS182J

R 5508 (A,15,80)

RS1/16SS222J

R 5509 (A,15,82)

RS1/16SS472J

A

**CAPACITORS**

C 5508 (B,8,93) 10 uF

CCG1192

B

C

D

E

F

1

2

3

4