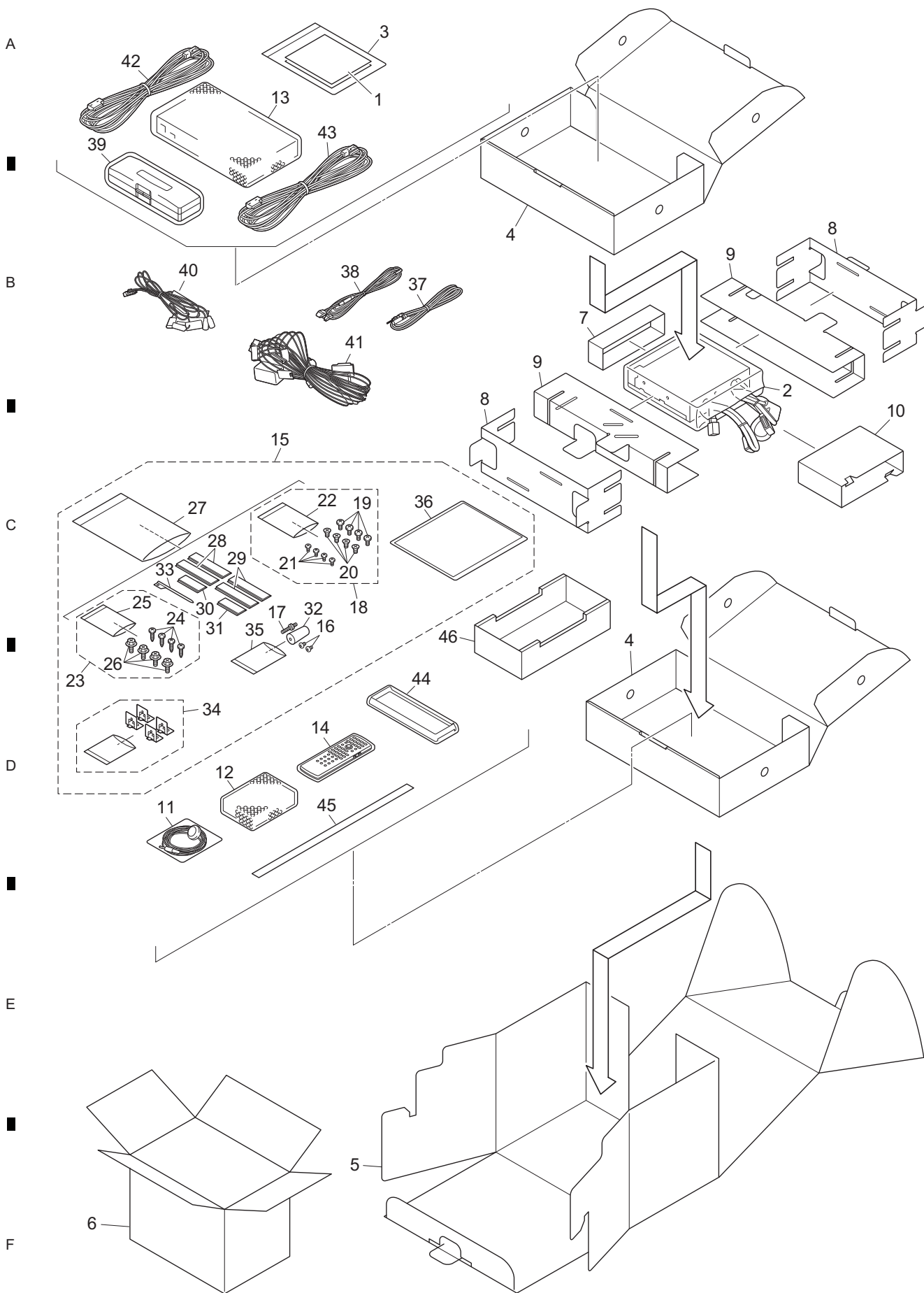


# 2.1 PACKING



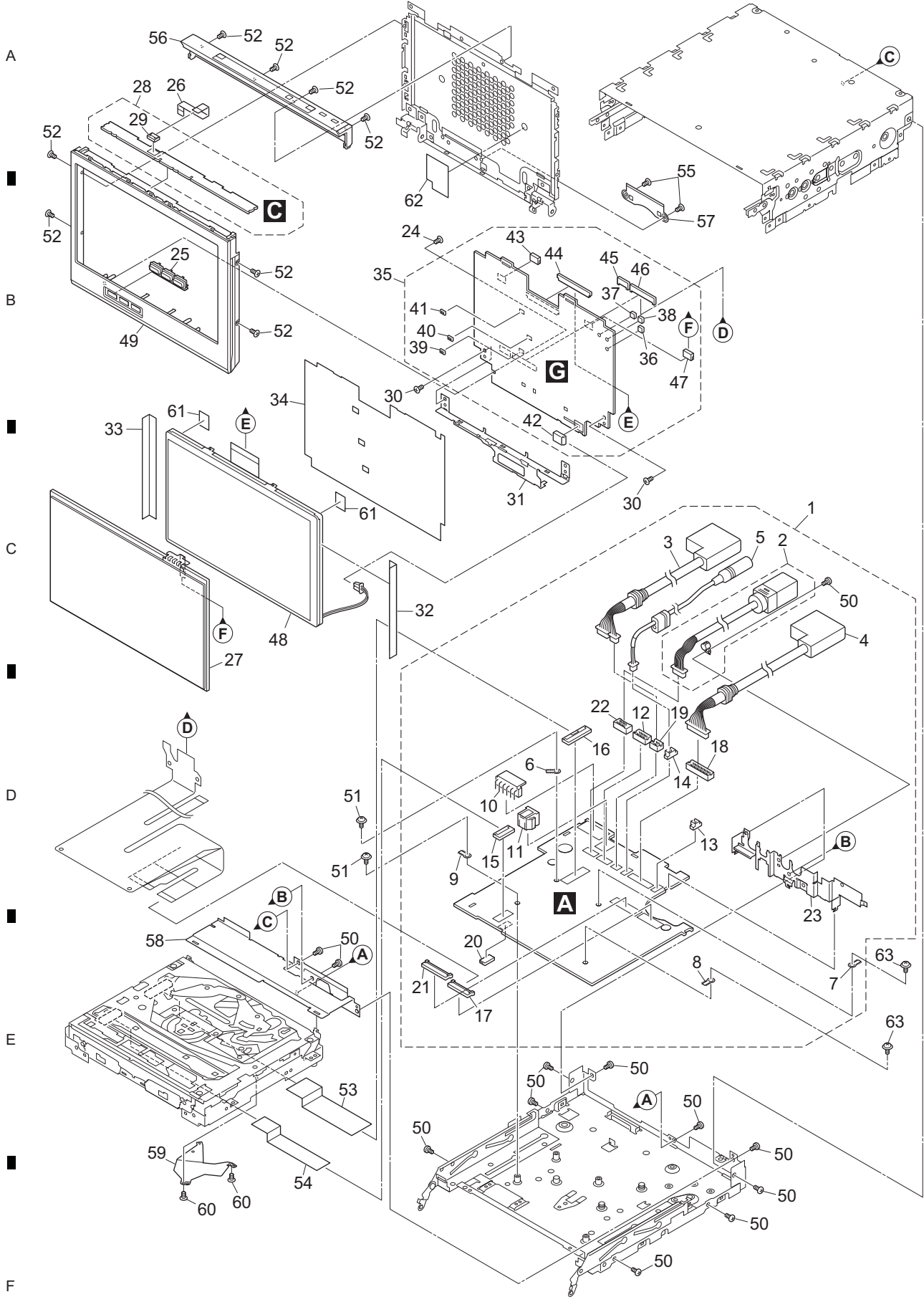
**PACKING SECTION PARTS LIST**

<u>Mark No.</u>	<u>Description</u>	<u>Part No.</u>	<u>Mark No.</u>	<u>Description</u>	<u>Part No.</u>
1-1	Owner's Manual	CRB2232	* 22	Polyethylene Sheet	CNM4338
1-2	Owner's Manual	CRB2233	23	Screw Assy	CEA5278
1-3	Installation Manual	CRD4114	24	Screw	BNC40P120FTB
1-4	Caution Card	CRP1310	* 25	Polyethylene Bag	CEG1158
* 1-5	Warranty Card	CRY1246	26	Screw	HMF40P080FTB
* 1-6	Registration Card	CRY1229	27	Polyethylene Bag	CEG1161
2	Polyethylene Bag	CEG1185	28	Fastener	CNM3728
3	Polyethylene Bag	CEG1116	29	Fastener	CNM3729
4	Sub Carton	CHA3567	* 30	Fastener	CNM6544
5	Carton	CHG5950	* 31	Fastener	CNM6545
6	Contain Box	CHL5786	32	Bush	CNV1917
7	Protector	CHP2432	33	Pen	CNV8969
8	Protector	CHP3204	34	Angle Assy	CXC6835
9	Protector	CHP3205	* 35	Polyethylene Bag	E36-615
10	Protector	CHP3206	36	Cleaning Cloth	VED1010
11	Microphone Assy	CPM1066	37	Antenna Cable	CDH1265
12	Air Cushioned Bag	CEG1081	38	Cord Assy	CDE7321
13	Air Cushioned Bag	CEG1007	39	Case Unit	CXC6576
14	Remote Control Assy	CXC6690	40	Cord Assy	CDE8086
* 15	Accessory Assy	CXC6847	41	Cord Assy	CDE8088
16	Screw	BPZ20P050FTB	42	Cord Assy	CDE8091
17	Screw	CBA1650	43	Cord Assy	CDE8092
18	Screw Assy	CEA5144	44	Panel	CNS8689
19	Screw	BMZ50P060FTC	45	Sheet	CNM8603
20	Screw	CBA1870	46	Protector	CHP3276
21	Screw	CMZ50P060FTC			

**Owner's Manual,Installation Manual**

<b>Part No.</b>	<b>Language</b>
CRB2232	English
CRB2233	French
CRD4114	English,French

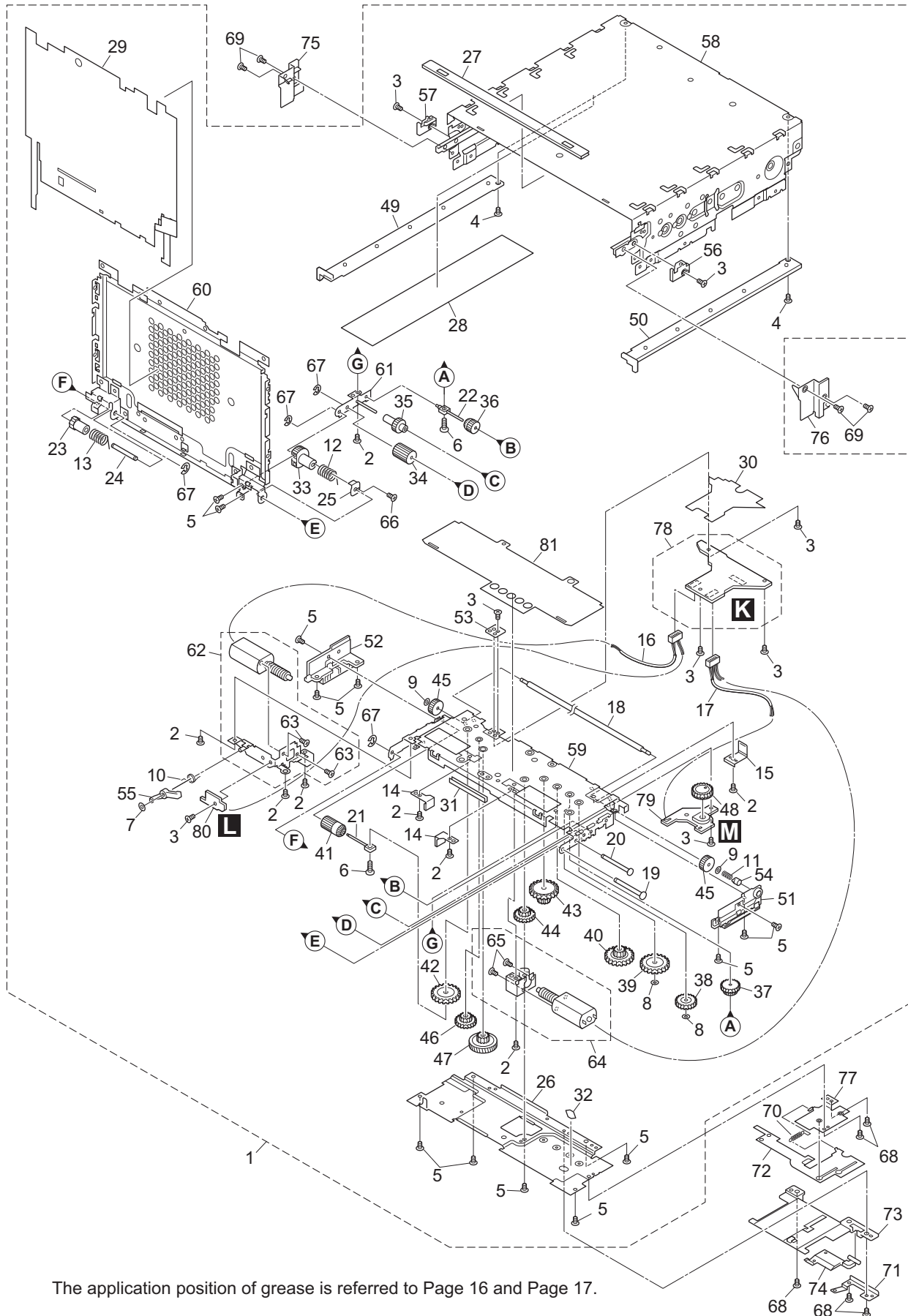
# 2.2 EXTERIOR(1)



## EXTERIOR(1) SECTION PARTS LIST

<u>Mark No.</u>	<u>Description</u>	<u>Part No.</u>	<u>Mark No.</u>	<u>Description</u>	<u>Part No.</u>
1	Mother Unit	CWN1496	50	Screw	BMZ26P030FTC
2	Cord Assy	CDE8097			
3	Cord Assy	CDE8095	51	Screw(M2 x 2.5)	CBA1624
4	Cord Assy	CDE8094	52	Screw(M2 x 2)	CBA1872
5	Cord Assy	CDE8093	53	Flat Cable	CDE8103
			54	Flat Cable	CDE8104
6	Terminal(CN951)	CKF1064	55	Screw(M2 x 1.4)	CBA2042
7	Terminal(CN952)	CKF1064			
8	Terminal(CN3301)	CKF1064	56	Cover Unit	CXC6200
9	Terminal(CN3302)	CKF1064	57	Holder	CND3271
10	Plug(CN232)	CKS-463	58	Holder	CND3210
			59	Cover	CND3639
11	Connector(CN3201)	CKS2600	60	Screw	JFZ20P018FTC
12	Connector(CN752)	CKS5566			
13	Connector(CN871)	CKS4822	61	Sheet	CNN1524
14	Connector(CN851)	CKS4823	62	Sheet	CNN1525
15	Connector(CN701)	CKS5045	63	Screw	IMS20P50FTB
16	Connector(CN702)	CKS5100			
17	Connector(CN571)	CKS5113			
18	Connector(CN751)	CKS5492			
19	Connector(CN753)	CKS5494			
20	Connector(CN651)	CKS5501			
21	Connector(CN572)	CKS5533			
22	Connector(CN231)	CKS4674			
23	Holder	CND3497			
24	Screw	BPZ20P060FTC			
25	Button(V.ADJUST, ENT, WIDE)	CAC9689			
26	Flat Cable	CDE8105			
27	Touch Panel	CSX1098			
28	Monitor Keyboard Unit	CWN1517			
29	Connector(CN6001)	CKS5033			
30	Screw(M2 x 2)	CBA1872			
31	Holder	CND3222			
32	Sheet	CNN1071			
33	Sheet	CNN1072			
34	Insulator	CNN1073			
35	Monitor Unit	CWN1505			
36	Checker Chip(CN4001)	CKF1031			
37	Checker Chip(CN4002)	CKF1031			
38	Checker Chip(CN4003)	CKF1031			
39	Terminal(CN5603)	CKF1068			
40	Terminal(CN5604)	CKF1068			
41	Terminal(CN5605)	CKF1068			
42	Connector(CN5501)	CKS4428			
43	Connector(CN4801)	CKS5033			
44	Connector(CN5301)	CKS5111			
45	Connector(CN5602)	CKS5532			
46	Connector(CN5601)	CKS5533			
47	Connector(CN4701)	CKS5561			
48	LCD Module	CWX3341			
49	Grille Unit	CXC6199			

# 2.3 EXTERIOR(2)



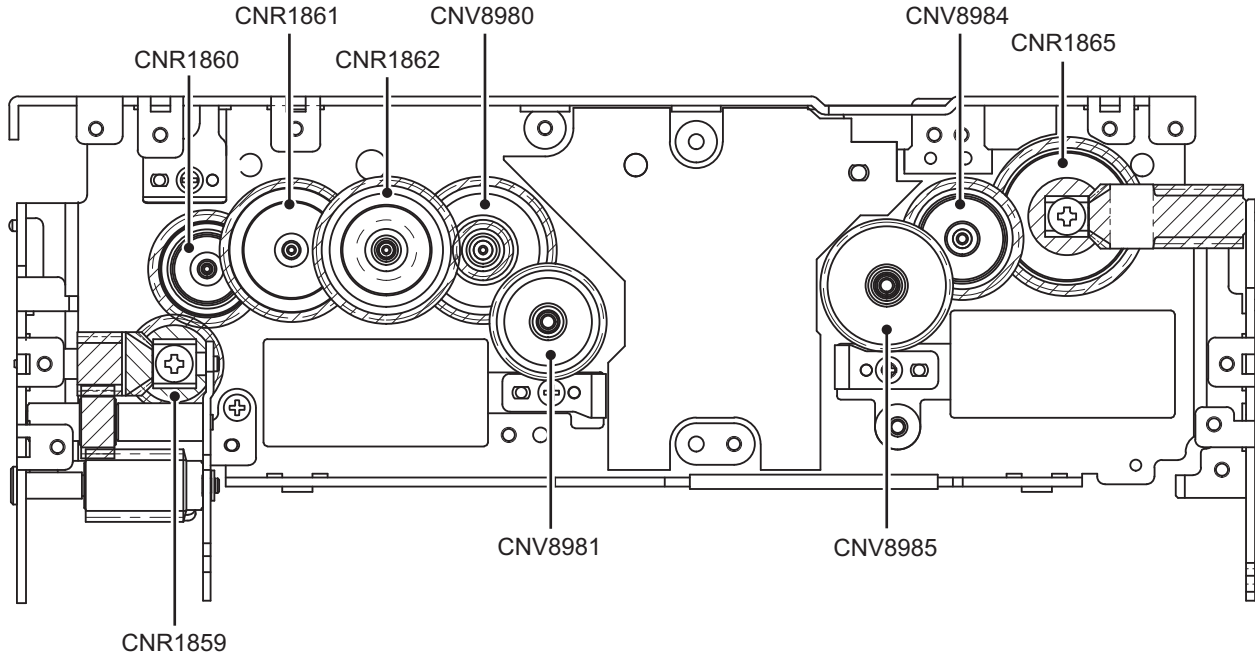
The application position of grease is referred to Page 16 and Page 17.

**EXTE-  
RIOR(2) SECTION PARTS LIST**

<u>Mark No.</u>	<u>Description</u>	<u>Part No.</u>	<u>Mark No.</u>	<u>Description</u>	<u>Part No.</u>	
1	Drive Unit	CXC6148	50	Rack	CNV8996	A
2	Screw(M2 x 2)	CBA1608				
3	Screw(M2 x 1.5)	CBA1615	51	Guide	CNV8997	
4	Screw(M2 x 2)	CBA1872	52	Guide	CNV8998	
5	Screw(M2 x 3)	CBA1877	53	Guide	CNV8999	
			54	Lever	CNV9000	
6	Screw	CBA2027	55	Arm	CNV9001	
7	Washer	CBF1037				
8	Washer	CBF1039	56	Guide	CNV9003	
9	Washer	CBF1064	57	Guide	CNV9004	
10	Spring	CBH2906	58	Chassis Unit	CXC6142	
			59	Frame Unit	CXC6143	B
11	Spring	CBH2907	60	Case Unit	CXC6144	
12	Spring	CBH2908				
13	Spring	CBH2909	61	Holder Unit	CXC6145	
14	Spring	CBL1723	62	Motor Unit	CXC6638	
15	Spring	CBL1734	63	Screw	JGZ20P025FTC	
			64	Motor Unit	CXC6639	
16	Cord	CDE8127	65	Screw	JGZ20P025FTC	
17	Cord	CDE8128				
18	Shaft	CLA4651	66	Screw	JFZ17P025FTC	
19	Shaft	CLA4661	67	Washer	YE15FTC	
20	Shaft	CLA4662	68	Screw(M2 x 3)	CBA1797	C
			69	Screw	CBA2041	
21	Shaft	CLA4663	70	Spring	CBH2750	
22	Shaft	CLA4664				
23	Shaft	CLA4665	71	Spring	CBL1720	
24	Shaft	CLA4666	72	Lever	CND3250	
25	Holder	CND3245	73	Cover	CNV9002	
			74	Arm	CNV9005	
26	Cover	CND3252	75	Panel	CNV9008	
27	Sheet	CNN1055				
28	Sheet	CNN1056	76	Panel	CNV9009	
29	Insulator	CNN1057	77	Bracket Unit	CXC6147	D
30	Insulator	CNN1058	78	Main PCB Unit	CZW5027	
			*	79 Volume PCB Unit	CZW5028	
31	Sheet	CNN1065	*	80 Switch PCB Unit	CZW5029	
32	Insulator	CNN1068				
33	Gear	CNR1855	*	81 Insulator	CNN1349	
34	Gear	CNR1856				
35	Gear	CNR1857				
36	Gear	CNR1858				
37	Gear	CNR1859				E
38	Gear	CNR1860				
39	Gear	CNR1861				
40	Gear	CNR1862				
41	Gear	CNR1864				
42	Gear	CNR1865				
43	Gear	CNV8980				
44	Gear	CNV8981				
45	Gear	CNV8983				
46	Gear	CNV8984				F
47	Gear	CNV8985				
48	Gear	CNV8987				
49	Rack	CNV8995				

● The gear assembly figure of the Drive Unit

A

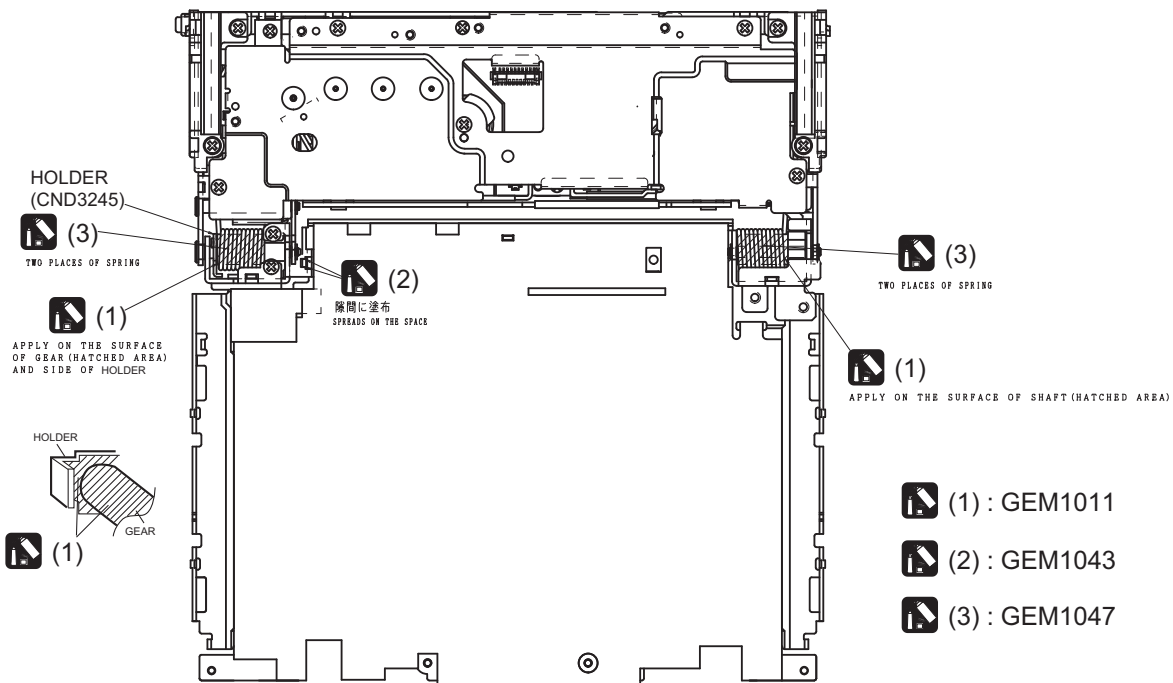


B

C

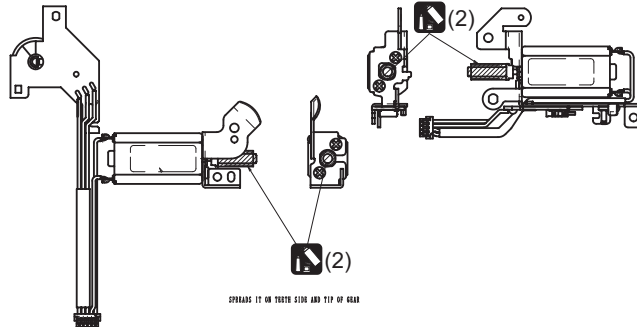
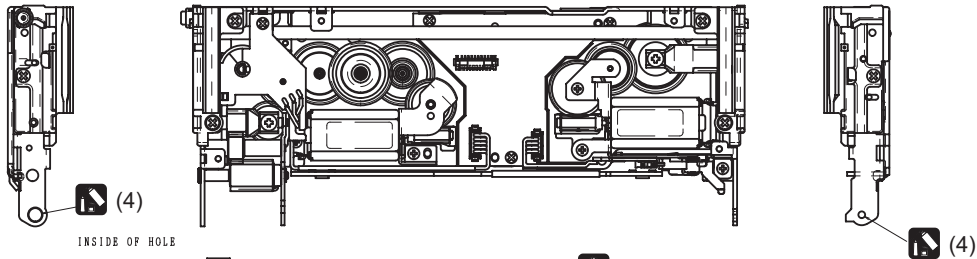
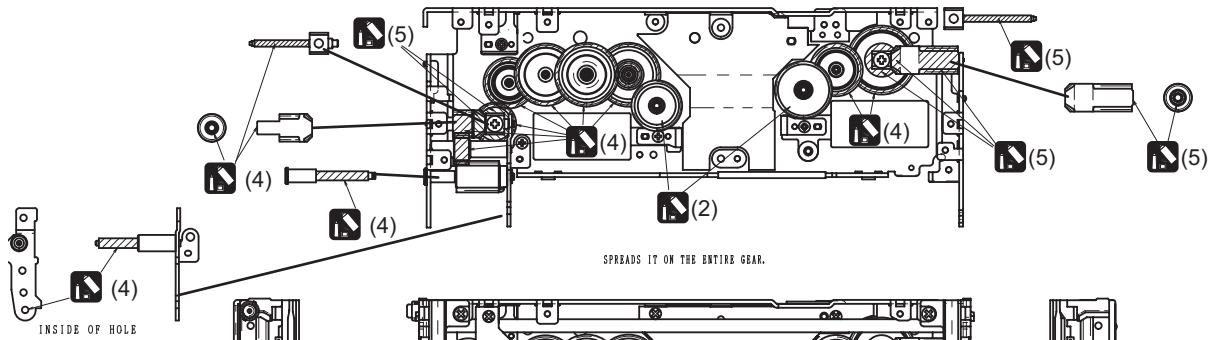
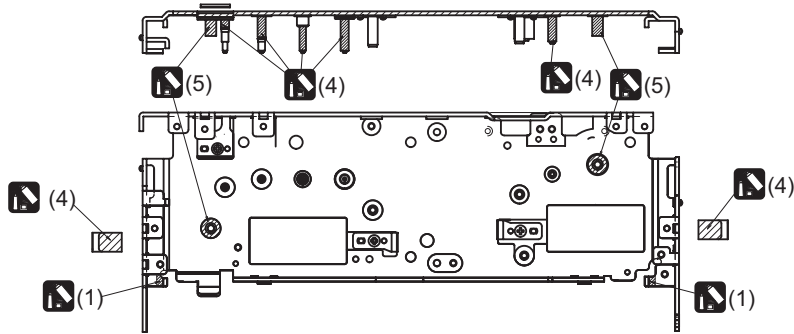
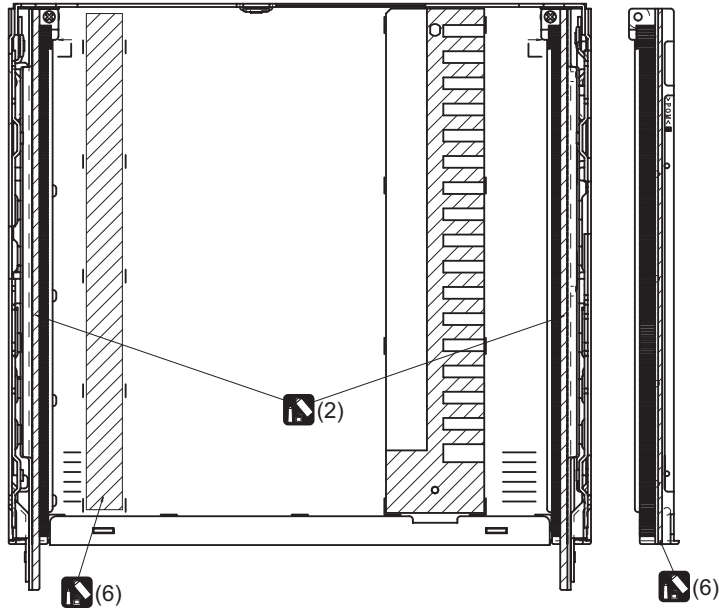
● Grease

D



E

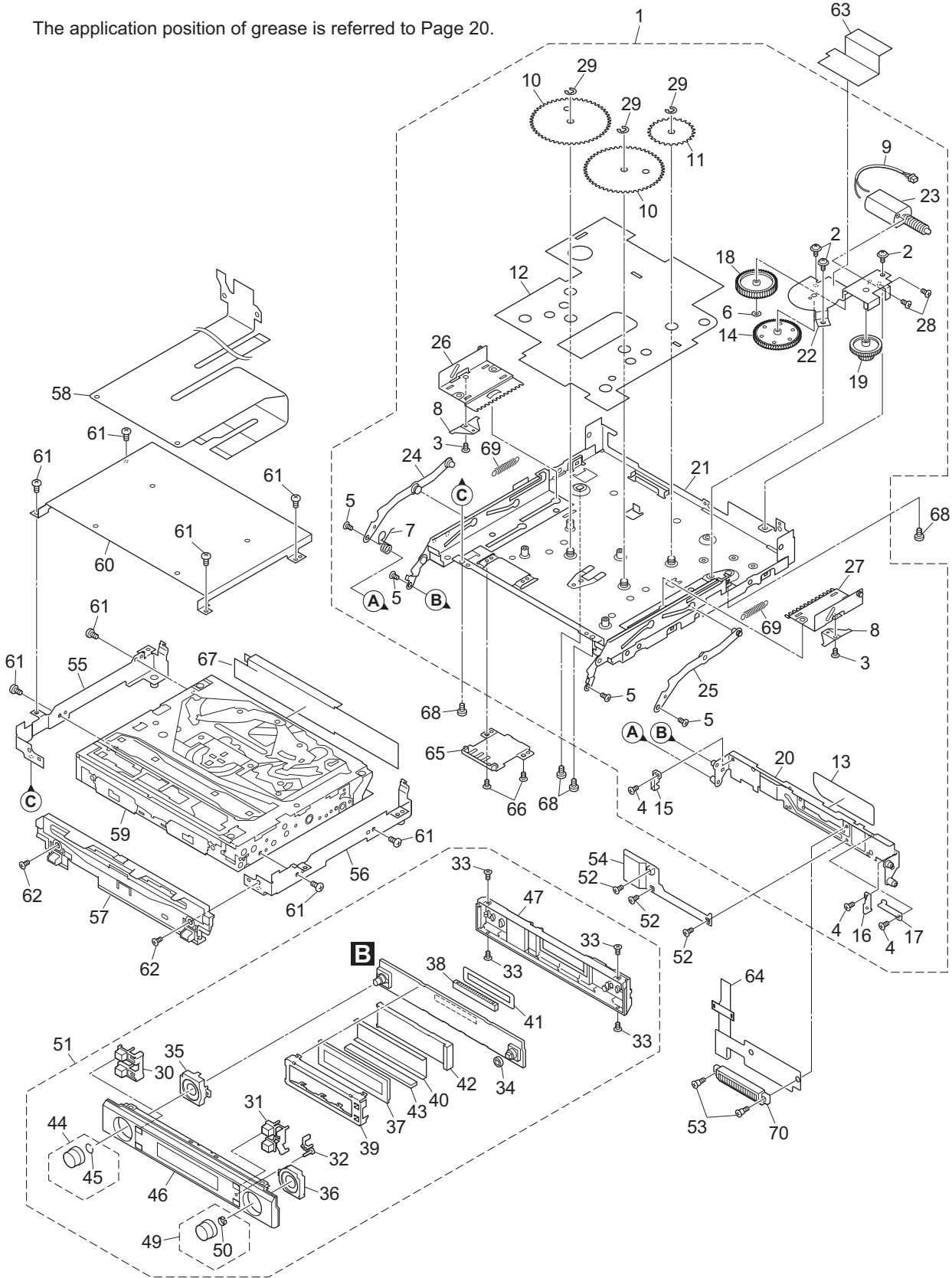
F



- (1) : GEM1011
- (2) : GEM1043
- (3) : GEM1047
- (4) : GEM1024
- (5) : GEM1072
- (6) : GEM1071

# 2.4 EXTERIOR(3)

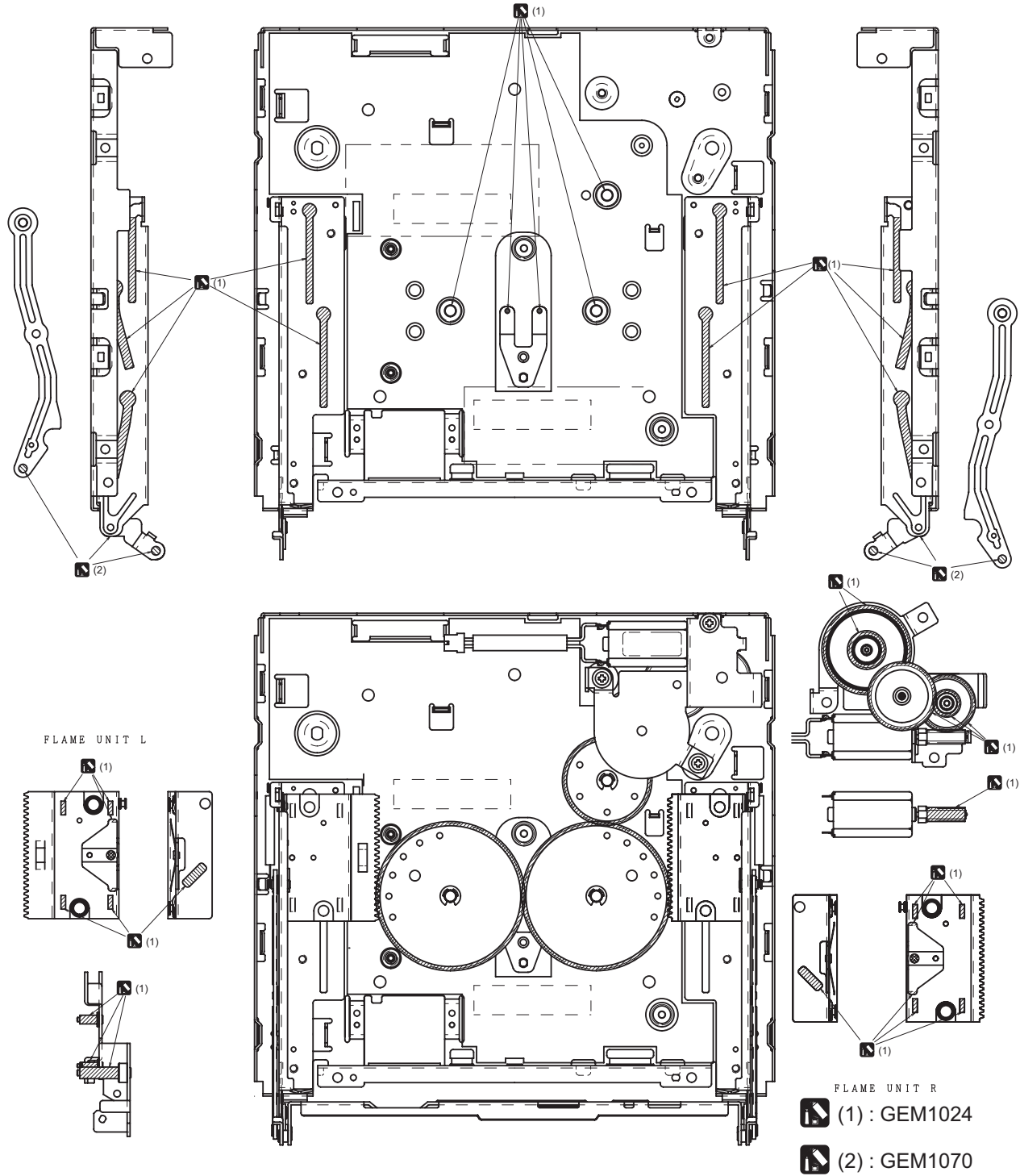
The application position of grease is referred to Page 20.



### EXTERIOR(3) SECTION PARTS LIST

<u>Mark No.</u>	<u>Description</u>	<u>Part No.</u>	<u>Mark No.</u>	<u>Description</u>	<u>Part No.</u>
1	Drive Unit	CXC6161	50	Spring	CBL1733
2	Screw	AMZ26P030FTC			
3	Screw(M2 x 1.4)	CBA2025	51	Grille Assy	CXC5656
4	Screw(M2 x 2)	CBA1871	52	Screw(M2 x 2)	CBA1871
5	Screw(M2 x 2.5)	CBA2026	53	Screw	CBA2009
			54	Guide	CNV8957
6	Washer	CBF1039	55	Bracket Assy	CXC6106
7	Spring	CBH2905			
8	Spring	CBL1718	56	Bracket Assy	CXC6107
9	Cord	CDE8121	57	Panel Unit	CXC7164
10	Gear	CND3231	58	Flexible PCB	CNP9204
			59	DVD Mechanism Module(MS-4)	CXK6500
11	Gear	CND3232	60	Bracket	CND3213
12	Insulator	CNN1060			
13	Spacer	CNN1258	61	Screw	BMZ20P030FTB
14	Gear	CNR1853	62	Screw	IMS26P030FTB
15	Guide	CNV8954	63	Sheet	CNN1262
			64	Flexible PCB	CNP9258
16	Guide	CNV8955	65	Guide	CNV9015
17	Guide	CNV8956			
18	Gear	CNV8974	66	Screw(M2 x 2)	CBA1872
19	Gear	CNV8975	67	Sheet	CNN1435
20	Holder Unit	CXC6076	68	Screw	TMS26P030FTC
			69	Spring	CBH2953
21	Case Unit	CXC6118	70	Connector	CKS5503
22	Bracket Unit	CXC6121			
23	Motor Unit	CXC6122			
24	Arm Unit	CXC6123			
25	Arm Unit	CXC6124			
26	Frame Unit	CXC6125			
27	Frame Unit	CXC6126			
28	Screw	JGZ20P025FTC			
29	Washer	YE30FTC			
30	Button	CAC9682			
31	Button	CAC9683			
32	Button	CAC9684			
33	Screw	CBA1872			
34	Cushion	CNN1259			
35	Lighting Conductor	CNV8959			
36	Lighting Conductor	CNV8960			
37	LCD(LCD7001)	CAW1921			
38	Connector(CN7401)	CKS5502			
39	Holder	CND3214			
40	Sheet	CNM9990			
41	Spacer	CNN1257			
42	Lighting Conductor	CNV8965			
43	Connector	CNV8966			
44	Knob Unit	CXC6077			
45	Spring	CBL1721			
46	Grille Unit	CXC7165			
47	Cover Unit	CXC7171			
48	.....				
49	Button Unit	CXC6641			

A  
B  
C  
D  
E  
F



# 2.5 TUNER SELECTOR ASSY

A

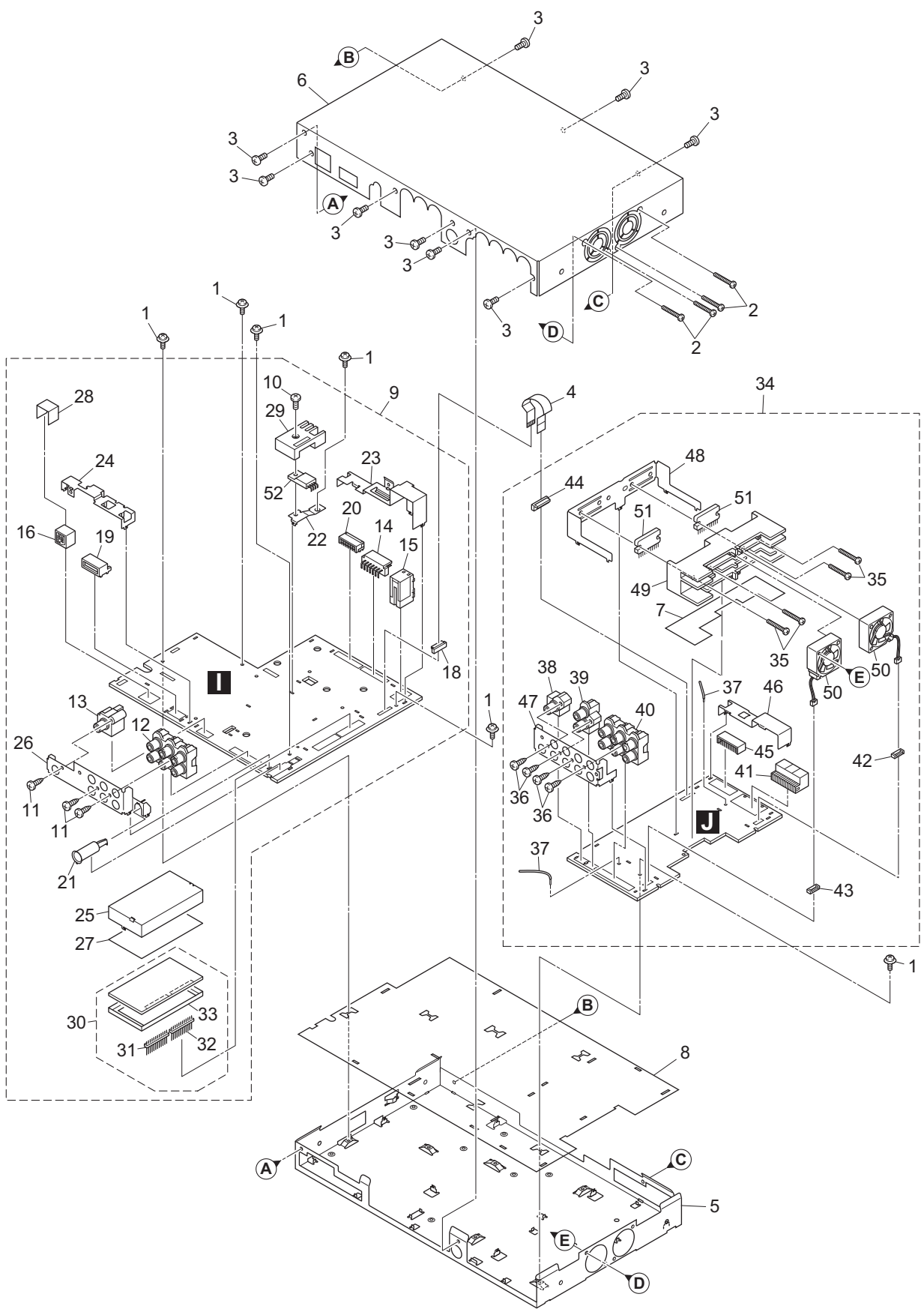
B

C

D

E

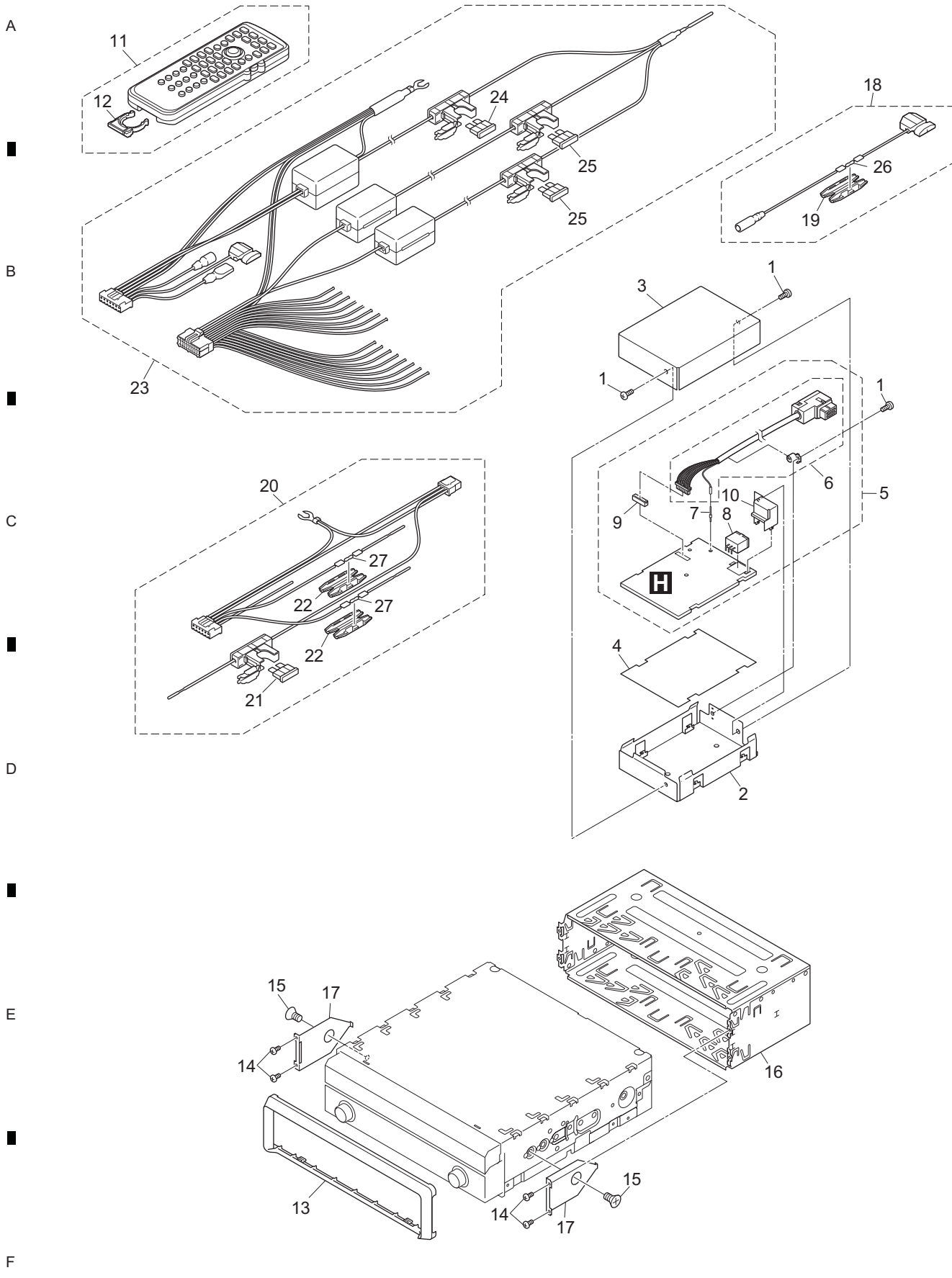
F



## TUNER SELECTOR ASSY SECTION PARTS LIST

<u>Mark No.</u>	<u>Description</u>	<u>Part No.</u>	<u>Mark No.</u>	<u>Description</u>	<u>Part No.</u>
1	Screw	ASZ26P050FTC	50	Motor	CXM1246
2	Screw	BMZ20P160FTC			
3	Screw	BSZ30P060FTB	51	IC(IC9321,IC9322)	PAL007B
4	Flat Cable	CDE8100	52	IC(8504)	NJM2388F84
5	Chassis	CNA2889			
6	Case	CNB3259			
7	Insulator	CNM9984			
8	Insulator	CNN1313			
9	Tuner Selector Unit	CWN1536			
10	Screw	BMZ30P080FTC			
11	Screw	BPZ30P060FTC			
12	Pin Jack(CN8251)	CKB1076			
13	Pin Jack(CN8751)	CKB1078			
14	Plug(CN8701)	CKS-464			
15	Connector(CN8201)	CKS2602			
16	Connector(CN8451)	CKS4590			
17	.....				
18	Connector(CN8401)	CKS5066			
19	Connector(CN8901)	CKS5497			
20	Connector(CN8601)	CKS5500			
21	Antenna Jack(CN8502)	CKX1056			
22	Holder	CNC9888			
23	Holder	CND3202			
24	Holder	CND3204			
25	Shield	CND3206			
26	Holder	CND3437			
27	Insulator	CNM9521			
28	Insulator	CNN1356			
29	Heat Sink	CNR1879			
30	FM/AM Tuner Unit(Y8501)	CWE1806			
31	Connector(CN101)	CKS4653			
32	Connector(CN102)	CKS4653			
33	Holder	CND2145			
34	Amp Unit	CWN1549			
35	Screw	BMZ26P200FTC			
36	Screw	BPZ30P060FTC			
37	Clamper	CEF1042			
38	Pin Jack(CN9443)	CKB1073			
39	Pin Jack(CN9442)	CKB1074			
40	Pin Jack(CN9441)	CKB1077			
41	Socket(CN9001)	CKM1446			
42	Connector(CN9011)	CKS4822			
43	Connector(CN9012)	CKS4822			
44	Connector(CN9452)	CKS5066			
45	Connector(CN9451)	CKS5560			
46	Holder	CND3198			
47	Holder	CND3199			
48	Holder	CND3200			
49	Heat Sink	CNR1852			

## 2.6 ACCESSORY AND POWER SUPPLY UNIT



## ACCESSORY AND POWER SUPPLY UNIT SECTION PARTS LIST

<u>Mark No.</u>	<u>Description</u>	<u>Part No.</u>	
1	Screw	BSZ26P050FTC	
2	Chassis	CNA2895	A
3	Case	CNB3272	
4	Insulator	CNN1061	
5	Power Supply Unit	CWN1525	
6	Cord Assy	CDE8090	
7	Terminal(CN7552)	CKF-047	
8	Connector(CN7501)	CKM1359	
9	Connector(CN7551)	CKS4674	
10	Holder	CND3221	
11	Remote Control Assy	CXC6690	B
12	Cover	CZN7062	
13	Panel	CNS8689	
14	Screw	BMZ20P030FTB	
15	Screw	CMZ50P060FTC	
16	Holder	CNC9510	
17	Bracket	CND1482	
18	Cord Assy	CDE7321	
19	Cap	CNS1472	
20	Cord Assy	CDE8086	
⚠ 21	Fuse(7.5 A)	CEK1135	C
22	Cap	CNS1472	
23	Cord Assy	CDE8088	
⚠ 24	Fuse(4 A)	CEK1001	
⚠ 25	Fuse(10 A)	CEK1136	
26	Resistor	RS1/2PMF102J	
27	Resistor	RSV2PMF102J	

D

E

F

# 2.7 DVD MECHANISM MODULE

A

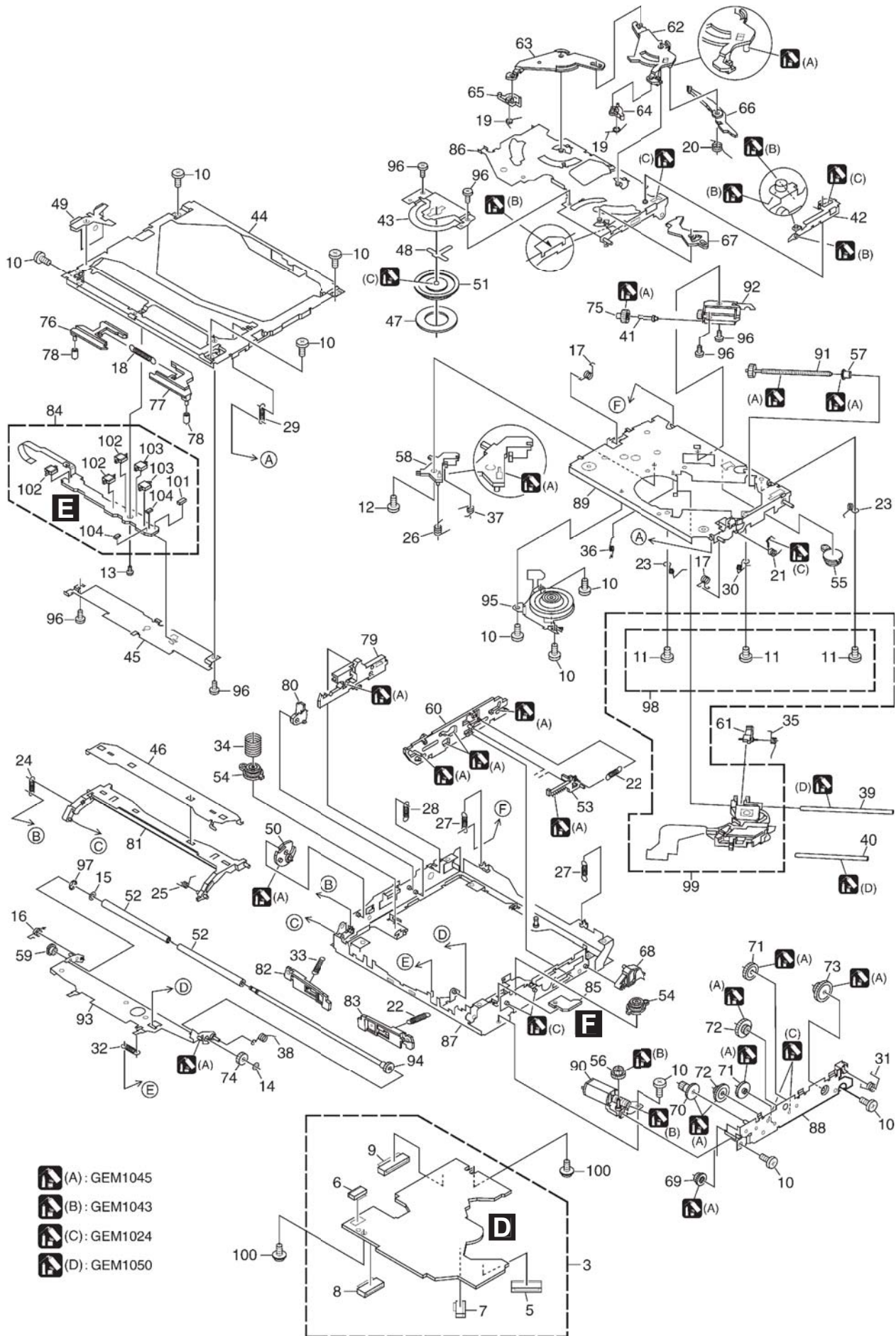
B

C

D

E

F



- (A): GEM1045
- (B): GEM1043
- (C): GEM1024
- (D): GEM1050

## DVD MECHANISM MODULE SECTION PARTS LIST

<u>Mark No.</u>	<u>Description</u>	<u>Part No.</u>	<u>Mark No.</u>	<u>Description</u>	<u>Part No.</u>
1,2	.....		54	Damper	CNV7470
3	DVD Core Unit	CWX3300	55	Damper	CNV7471
4	.....				
5	Connector(CN1101)	CKS4842	56	Gear	CNV8588
			57	Holder	CNV8765
6	Connector(CN1301)	CKS5017	58	Holder	CNV8774
7	Connector(CN1201)	CKS5043	59	Collar	CNV8845
8	Connector(CN1851)	CKS5045	60	Lever	CNV8865
9	Connector(CN1901)	CKS5054			
10	Screw	BMZ20P020FTC	61	Rack	CNV8866
11	Screw(M2 x 3.5)	CBA1571	62	Arm	CNV8867
12	Screw(M2 x 2.5)	CBA1623	63	Arm	CNV8868
13	Screw	CBA1787	64	Arm	CNV8869
14	Washer	CBF1038	65	Arm	CNV8870
15	Washer	CBF1064			
			66	Arm	CNV8871
16	Spring	CBH2586	67	Arm	CNV8872
17	Spring	CBH2588	68	Arm	CNV8873
18	Spring	CBH2589	69	Gear	CNV8874
19	Spring	CBH2590	70	Gear	CNV8875
20	Spring	CBH2591			
			71	Gear	CNV8876
21	Spring	CBH2592	72	Gear	CNV8877
22	Spring	CBH2593	73	Gear	CNV8878
23	Spring	CBH2595	74	Gear	CNV8879
24	Spring	CBH2596	75	Gear	CNV8880
25	Spring	CBH2597			
			76	Lever	CNV8903
26	Spring	CBH2598	77	Lever	CNV8904
27	Spring	CBH2599	78	Roller	CNV8905
28	Spring	CBH2600	79	Lever	CNV8908
29	Spring	CBH2601	80	Arm	CNV8909
30	Spring	CBH2602			
			81	Guide	CNV8910
31	Spring	CBH2604	82	Arm	CNV9116
32	Spring	CBH2605	83	Arm	CNV9117
33	Spring	CBH2710	84	Compound Unit(A)	CWX3154
34	Spring	CBH2711	85	Compound Unit(B)	CWX3394
35	Spring	CBH2876			
			86	Arm Unit	CXB8681
36	Spring	CBH2890	87	Arm Unit	CXB8683
37	Spring	CBH2895	88	Bracket Unit	CXB8685
38	Spring	CBH2898	89	Chassis Unit	CXC4910
39	Shaft	CLA4206	90	Motor Unit(M1)	CXC4912
40	Shaft	CLA4207			
			91	Screw Unit	CXC4979
41	Shaft	CLA4596	92	Motor Unit(M2)	CXC4980
42	Lever	CNC9933	93	Arm Unit	CXC5486
43	Holder	CNC9939	94	Roller Unit	CXC5708
44	Frame	CND2250	95	Motor(M3)	CXM1322
45	Holder	CND2251			
			96	Screw	JFZ20P018FTC
46	Holder	CND2642	97	Washer	YE20FTC
47	Sheet	CNM6883	98	Screw Assy	CXX1750
48	Sheet	CNM8283	99	Pickup Unit(Service)(Screw)	GXX1268
49	Sheet	CNM9658	100	Screw	IMS20P030FTC
50	Cam	CNV7156			
			101	Photo-transistor(Q1299)	CPT231SCTD
51	Clamper	CNV7158	102	Switch	CSN1069
52	Roller	CNV7165	103	Switch	CSN1070
53	Rack	CNV7175	104	Resistor	RS1/16S0R0J

# 5. ELECTRICAL PARTS LIST

**NOTE:**

- Parts whose parts numbers are omitted are subject to being not supplied.
- The part numbers shown below indicate chip components.

Chip Resistor

RS1/○S○○○○J,RS1/○○S○○○○J

Chip Capacitor (except for CQS.....)

CKS....., CCS....., CSZS.....

- The  $\triangle$  mark found on some component parts indicates the importance of the safety factor of the part. Therefore, when replacing, be sure to use parts of identical designation.

- Meaning of the figures and others in the parentheses in the parts list.

Example) IC 301 is on the point (face A, 91 of x-axis, and 111 of y-axis) of the corresponding PC board.

IC 301 (A, 91, 111) IC NJM2068V

<u>Circuit Symbol and No.</u>	<u>Part No.</u>
<b>Unit Number : CWN1496</b>	
<b>Unit Name : Mother Unit</b>	
<b>Unit Number : CWN1533</b>	
<b>Unit Name : Keyboard Unit</b>	
<b>Unit Number : CWN1517</b>	
<b>Unit Name : Monitor Keyboard Unit</b>	
<b>Unit Number : CWX3300</b>	
<b>Unit Name : DVD Core Unit</b>	
<b>Unit Number : CWX3154</b>	
<b>Unit Name : Compound Unit(A)</b>	
<b>Unit Number : CWX3394</b>	
<b>Unit Name : Compound Unit(B)</b>	
<b>Unit Number : CWN1505</b>	
<b>Unit Name : Monitor Unit</b>	
<b>Unit Number : CWN1525</b>	
<b>Unit Name : Power Supply Unit</b>	
<b>Unit Number : CWN1536</b>	
<b>Unit Name : Tuner Selector Unit</b>	
<b>Unit Number : CWN1549</b>	
<b>Unit Name : Amp Unit</b>	
<b>Unit Number : CZW5027</b>	
<b>Unit Name : Main PCB Unit</b>	
<b>Unit Number : CZW5029</b>	
<b>Unit Name : Switch PCB Unit</b>	
<b>Unit Number : CZW5028</b>	
<b>Unit Name : Volume PCB Unit</b>	

<u>Circuit Symbol and No.</u>	<u>Part No.</u>
<b>A</b>	
<b>Unit Number : CWN1496</b>	
<b>Unit Name : Mother Unit</b>	
<b>MISCELLANEOUS</b>	
IC 101 (B,96,67) IC	S-80827CNNB-B8M
IC 102 (A,135,70) IC	PE5530A
IC 232 (B,95,100) IC	BA00BC0WFP
IC 233 (B,8,112) IC	S-814A35AUC-BCZ
IC 234 (A,101,71) IC	S-814A33AMC-BCX
IC 281 (A,57,69) IC	CXA2089Q
IC 391 (A,26,66) IC	NJM4558V
IC 421 (A,81,108) IC	NJM2505F
IC 451 (A,60,113) IC	NJM2589V
IC 511 (A,73,83) IC	NJM2515V
IC 551 (A,107,63) IC	HA12241FP
IC 631 (B,109,70) IC	TC74VHCT08AFTS1
IC 632 (B,100,74) IC	TC7SH08FUS1
IC 851 (B,51,74) IC	NJM4558V
IC 854 (B,46,64) IC	NJM4558V
IC 871 (B,105,119) IC	BA6288FS
IC 3001 (A,137,36) IC	PEG086A
IC 3002 (B,134,34) IC	S-80827CNNB-B8M
IC 3101 (A,74,49) IC	AK5381VT
IC 3152 (A,71,34) IC	AK4113VF
IC 3201 (B,26,132) IC	TC7S08FUS1
IC 3251 (A,82,32) IC	XC25BS5134MR
IC 3252 (A,81,40) IC	XC25BS5136MR
IC 3253 (A,87,31) IC	TC7WB383FK
IC 3254 (A,86,38) IC	TC7MB3257FK
IC 3255 (A,92,34) IC	TC7WB383FK
IC 3301 (B,89,25) IC	D610A003BPYPAA225
IC 3302 (B,112,14) IC	TC7SHU04FUS1
IC 3401 (A,110,24) IC	HY57V161610ETP-7I
IC 3451 (A,86,18) IC	PEH047A
IC 3501 (A,105,44) IC	DSD1608PAH
IC 3551 (A,88,46) IC	PCM1753DBQ
IC 3651 (A,63,47) IC	S-818A50AUC-BHE
IC 3661 (A,147,9) IC	PQ1M335M2SPQ

**Circuit Symbol and No.****Part No.****Circuit Symbol and No.****Part No.**

	IC 3671	(B,134,12) IC	PQ035ZN01ZPH	Q 3001	(B,139,35) Transistor	DTC114EU
	IC 3681	(A,59,39) IC	PQ1X331M2ZP	Q 3002	(B,134,47) Transistor	IMD2A
	IC 3691	(A,54,43) IC	S-812C33AMC-C2N	Q 3201	(B,29,136) Transistor	2SC2412K
A	Q 101	(B,91,68) Transistor	2SC4081	Q 3656	(A,59,45) Transistor	UMF23N
	Q 102	(B,112,80) Transistor	DTA144EUA	D 101	(B,95,73) Diode	1SS355
	Q 103	(B,112,78) Transistor	2SC4081	D 102	(B,89,74) Diode	1SS355
	Q 104	(B,104,64) Transistor	2SC4081	D 103	(A,138,85) Diode	RB160M-30
	Q 106	(A,119,57) Transistor	2SA1576	D 104	(B,92,71) Diode	1SS355
	Q 107	(B,111,86) Transistor	2SC4081			
	Q 231	(A,128,10) Transistor	UMF23N	D 233	(B,21,150) Diode	1SS355
	Q 233	(A,90,74) Transistor	UMF23N	D 234	(A,123,6) LED	CL-270HR
	Q 234	(A,92,72) Transistor	2SA1576	D 235	(B,13,108) Diode	SC802-06
	Q 235	(B,107,77) Transistor	IMX1	D 236	(A,25,132) Diode	DAN202U
	Q 236	(A,6,111) Transistor	2SD1664	D 237	(A,5,115) Diode	UDZS9R1(B)
B	Q 237	(B,26,16) Transistor	2SD1664	D 238	(A,26,20) Diode	UDZS5R6(B)
	Q 238	(B,11,153) Transistor	DTC114EU	D 239	(B,14,125) Diode	HZU7L(A1)
	Q 239	(B,18,149) Transistor	2SC4081	D 240	(B,31,108) Diode	HZU6R2(B1)
	Q 240	(B,100,70) Transistor	UMF23N	D 241	(A,14,138) Diode	HZU7L(C3)
	Q 241	(B,26,110) Transistor	2SD1664	D 242	(B,18,146) Diode	HZU7L(C3)
	Q 242	(A,5,119) Transistor	IMD3A	D 243	(B,24,124) Diode	RSX201L-30
	Q 243	(A,22,21) Transistor	IMD3A	D 244	(B,11,149) Diode	S1G-6904G2P
	Q 244	(B,38,128) Transistor	2SC4081	D 245	(A,30,134) Diode	UMZ6R8EN
	Q 245	(B,10,133) Transistor	2SC4081	D 246	(A,23,127) Diode	UDZS6R8(B)
	Q 246	(B,117,88) Transistor	UMF23N	D 247	(B,38,125) Diode	UDZS4R7(B)
	Q 247	(B,30,111) Transistor	UMF23N	D 248	(B,9,122) Diode	DAN202U
C	Q 391	(A,32,58) Transistor	2SC4081	D 249	(A,8,137) Diode	1SR154-400
	Q 491	(A,39,61) Transistor	2SA1576	D 250	(B,10,145) Diode	1SR154-400
	Q 492	(A,41,69) Transistor	2SC4081	D 251	(A,46,135) Diode	DAN202U
	Q 561	(A,97,65) Transistor	2SC4081	D 281	(A,55,84) Diode	1SR154-400
	Q 562	(A,90,64) Transistor	2SA1576	D 551	(A,102,65) Diode	DAN202U
	Q 571	(B,109,106) Transistor	2SB1132	D 561	(A,94,64) Diode	RB160M-40
	Q 572	(B,112,103) Transistor	DTC114EU	D 562	(A,91,61) Diode	RB160M-40
	Q 573	(B,97,111) Transistor	2SA1615-ZS1	D 571	(B,114,95) Diode	RB160M-30
	Q 574	(B,110,110) Transistor	DTC114EU	D 651	(B,17,14) Diode	HZU8R2(B1)
	Q 575	(A,105,75) Transistor	UMF23N	D 652	(B,51,37) Diode	UMZ6R8EN
	Q 631	(A,102,81) Transistor	IMD3A	D 653	(B,36,32) Diode	UMZ6R8EN
D	Q 632	(A,106,81) Transistor	UMF23N	D 654	(A,29,38) Diode	1SS355
	Q 633	(A,99,81) Transistor	IMD3A	D 655	(A,29,40) Diode	1SS355
	Q 634	(A,95,81) Transistor	IMD3A	D 656	(A,81,6) Diode	NESW505C-5273
	Q 651	(B,16,19) Transistor	2SD1664	D 751	(B,94,116) Diode	HZU2R7(B1)
	Q 652	(B,17,10) Transistor	IMD2A	D 752	(B,94,120) Diode	HZU2R7(B1)
	Q 653	(A,27,9) Transistor	2SA1577	D 753	(B,78,120) Diode	HZU2R7(B1)
	Q 654	(A,34,9) Transistor	DTC114EU	D 754	(A,76,118) Diode	HZU2R7(B1)
	Q 655	(A,53,31) Transistor	UMF23N	D 755	(B,94,118) Diode	HZU2R7(B1)
	Q 656	(A,32,33) Transistor	DTA114EU	D 756	(B,94,122) Diode	HZU2R7(B1)
	Q 657	(A,25,37) Transistor	2SC4081	D 757	(B,80,120) Diode	HZU2R7(B1)
E	Q 658	(A,25,40) Transistor	2SC4081	D 758	(A,78,118) Diode	HZU2R7(B1)
	Q 659	(A,49,31) Transistor	UMF23N	D 759	(B,45,136) Diode	UDZS5R6(B)
	Q 660	(A,115,7) Transistor	DTC114EU	D 760	(B,49,136) Diode	UDZS5R6(B)
	Q 751	(B,4,123) Transistor	2SC4081	D 761	(B,45,134) Diode	UDZS5R6(B)
	Q 851	(A,50,138) Transistor	2SD2114K	D 762	(B,49,134) Diode	UDZS5R6(B)
	Q 852	(A,49,141) Transistor	DTA114EU	D 851	(B,75,114) Diode	UDZS3R9(B)
	Q 853	(B,68,128) Transistor	2SA1576	D 854	(B,53,143) Diode	1SS355
	Q 854	(B,62,138) Transistor	UMF23N	D 855	(B,53,146) Diode	1SS355
	Q 855	(B,52,139) Transistor	UMF23N	D 856	(B,53,145) Diode	1SS355
	Q 856	(B,48,145) Transistor	UMF23N	D 871	(B,104,126) Diode	1SR154-400
F	Q 857	(B,48,139) Transistor	UMF23N	D 872	(B,104,130) Diode	1SR154-400
	Q 858	(B,68,123) Transistor	2SA1576	D 873	(B,79,154) Diode	UDZS5R6(B)
	Q 871	(B,71,148) Transistor	2SD1760F5	D 3001	(A,149,48) Diode	RB160M-30
	Q 872	(B,84,153) Transistor	IMD3A	D 3002	(B,129,34) Diode	1SS355
				D 3201	(B,33,138) Diode	1SS355

<u>Circuit Symbol and No.</u>		<u>Part No.</u>	<u>Circuit Symbol and No.</u>		<u>Part No.</u>
L 3691	(B,26,118) Diode	1SR154-400	L 3308	(B,74,8) Inductor	CTF1473
L 101	(A,112,80) Inductor	LCTAW2R2J2520	L 3309	(B,69,13) Inductor	CTF1473
L 102	(A,120,83) Inductor	CTF1473	L 3310	(B,70,10) Inductor	CTF1473
L 103	(A,149,82) Inductor	CTF1306	L 3311	(B,69,16) Inductor	CTF1473
L 231	(A,25,129) Inductor	LCTC2R2K1608	L 3312	(B,68,26) Inductor	CTF1473
L 232	(A,97,71) Inductor	CTF1473	L 3313	(B,69,35) Inductor	CTF1473
L 233	(A,26,136) Inductor	CTF1379	L 3314	(B,69,37) Inductor	CTF1473
L 234	(B,30,127) Inductor	CTF1487	L 3315	(B,75,44) Inductor	CTF1473
L 235	(A,31,117) Inductor	CTF1487	L 3316	(B,79,44) Inductor	CTF1473
L 236	(B,29,118) Inductor	CTF1487	L 3317	(B,84,44) Inductor	CTF1473
L 237	(B,34,127) Inductor	CTF1487	L 3318	(B,87,44) Inductor	CTF1473
L 238	(B,38,132) Inductor	CTF1487	L 3319	(B,92,46) Inductor	CTF1473
L 239	(A,36,119) Inductor	CTF1487	L 3320	(B,108,40) Inductor	CTF1473
L 240	(A,36,132) Inductor	CTF1379	L 3321	(B,108,37) Inductor	CTF1473
L 241	(A,38,132) Inductor	CTF1379	L 3322	(B,108,31) Inductor	CTF1473
L 242	(A,39,132) Inductor	CTF1379	L 3323	(B,108,25) Inductor	CTF1473
L 243	(B,31,118) Inductor	CTF1487	L 3324	(B,108,24) Inductor	CTF1473
L 244	(A,43,132) Inductor	CTF1379	L 3325	(B,112,18) Inductor	CTF1379
L 245	(B,42,119) Inductor	CTF1487	L 3326	(B,108,10) Inductor	CTF1473
L 246	(A,45,132) Inductor	CTF1379	L 3327	(B,108,8) Inductor	CTF1473
L 281	(A,53,80) Inductor	CTF1473	L 3328	(B,72,23) Inductor	VTL1127
L 421	(A,83,103) Inductor	CTF1473	L 3451	(A,100,12) Inductor	CTF1473
L 451	(A,64,119) Inductor	CTF1473	L 3501	(A,112,35) Inductor	CTF1473
L 491	(A,37,69) Inductor	CTF1473	L 3502	(A,95,38) Inductor	CTF1473
L 551	(A,100,65) Inductor	CTF1473	L 3503	(A,97,40) Inductor	CTF1306
L 571	(B,100,88) Coil	CTH1267	L 3504	(A,97,37) Inductor	LCTAW220J2016
L 572	(A,59,137) Inductor	CTH1262	L 3551	(A,88,54) Inductor	CTF1379
L 631	(B,107,73) Inductor	CTF1473	X 101	(A,114,72) 4.718 592 MHz	CSS1703
L 632	(B,100,78) Inductor	CTF1473	X 3001	(A,149,36) Radiator 10.0 MHz	CSS1577
L 751	(A,86,118) Inductor	CTF1379	X 3151	(A,67,27) Radiator 12.288 MHz	CSS1704
L 753	(A,88,115) Inductor	CTF1379	X 3301	(B,117,14) Radiator 24.576 MHz	CSS1699
L 754	(A,89,118) Inductor	CTF1379	S 871	(B,34,71) Switch(NSCLS)	CSN1073
L 755	(A,89,115) Inductor	CTF1379	S 872	(B,34,51) Switch(NSOPEN)	CSN1073
L 756	(A,91,118) Inductor	CTF1379	VR281	(A,56,102) Semi-fixed	CCP1485
L 757	(A,91,115) Inductor	CTF1379	VR451	(A,72,109) Semi-fixed	CCP1477
L 760	(A,95,118) Inductor	CTF1379	VR452	(A,70,106) Semi-fixed	CCP1477
L 761	(A,69,120) Inductor	CTF1379	VR453	(A,73,120) Semi-fixed	CCP1477
L 851	(A,71,123) Inductor	CTF1379	VR491	(A,41,65) Semi-fixed	CCP1483
L 852	(A,69,127) Inductor	CTF1379	VR511	(A,79,73) Semi-fixed	CCP1477
L 853	(A,69,129) Inductor	CTF1379	VR512	(A,79,67) Semi-fixed	CCP1477
L 3001	(A,149,40) Inductor	CTF1473	VR513	(A,79,62) Semi-fixed	CCP1477
L 3002	(A,124,36) Inductor	CTF1473	△FU232	(A,34,118) Fuse 3 A	CEK1286
L 3003	(A,131,17) Inductor	CTF1306	△FU233	(A,38,119) Fuse 3 A	CEK1286
L 3101	(A,68,51) Inductor	CTF1473	△FU571	(A,117,88) Fuse 1.25	CEK1281
L 3151	(A,67,21) Inductor	CTF1473	△FU572	(B,105,110) Fuse 1.75 A	CEK1283
L 3152	(A,70,21) Inductor	CTF1473	△FU573	(A,104,89) Fuse 2 A	CEK1284
L 3153	(A,62,28) Inductor	CTF1473	△FU651	(B,26,21) Fuse 250 mA	CEK1276
L 3201	(B,26,136) Inductor	CTF1473	△FU751	(A,50,134) Fuse 3 A	CEK1286
L 3251	(A,78,34) Inductor	CTF1473	△FU752	(A,102,131) Fuse 3 A	CEK1286
L 3252	(A,78,40) Inductor	CTF1473	FB3405	(A,121,14) Inductor	CTF1639
L 3253	(A,85,34) Inductor	CTF1473	FB3406	(A,106,33) Inductor	CTF1639
L 3254	(A,90,36) Inductor	CTF1473	FB3407	(A,111,32) Inductor	CTF1639
L 3255	(A,92,37) Inductor	CTF1473	FB3404	(A,110,14) Inductor	CTF1639
L 3301	(B,104,8) Inductor	CTF1473	FB3403	(A,105,14) Inductor	CTF1639
L 3302	(B,101,6) Inductor	CTF1473	FB3401	(A,100,14) Inductor	CTF1639
L 3303	(B,96,6) Inductor	CTF1473	EF3301	(B,114,21) EMI Filter	RTF1183
L 3304	(B,91,6) Inductor	CTF1473	EF3401	(A,124,13) EMI Filter	DTL1106
L 3305	(B,88,6) Inductor	CTF1473	BZ101	(B,147,12) Buzzer	CPV1063
L 3306	(B,83,6) Inductor	CTF1473	<b>RESISTORS</b>		
L 3307	(B,76,6) Inductor	CTF1473			

**Circuit Symbol and No.****Part No.****Circuit Symbol and No.****Part No.**

A	R 101	(B,123,74)	RS1/16S102J	R 162	(A,138,54)	RS1/16S471J
	R 102	(B,123,72)	RS1/16S221J	R 163	(B,130,81)	RS1/16S473J
	R 103	(B,123,71)	RS1/16S221J	R 164	(B,136,65)	RS1/16S473J
	R 104	(B,123,69)	RS1/16S102J	R 165	(A,140,54)	RS1/16S471J
	R 105	(B,123,68)	RS1/16S182J	R 166	(B,133,62)	RS1/16S473J
	R 106	(B,123,66)	RS1/16S182J	R 167	(B,131,84)	RS1/16S102J
	R 107	(A,115,64)	RS1/16S471J	R 168	(B,125,84)	RS1/16S102J
	R 108	(A,112,64)	RS1/16S471J	R 169	(A,154,56)	RS1/16S0R0J
	R 109	(B,88,66)	RS1/16S102J	R 170	(B,133,81)	RS1/16S102J
	R 110	(B,95,71)	RS1/16S104J	R 171	(A,141,54)	RS1/16S102J
B	R 111	(B,86,68)	RS1/16S104J	R 172	(B,133,78)	RS1/16S104J
	R 112	(B,90,72)	RS1/16S473J	R 173	(B,133,84)	RS1/16S102J
	R 113	(B,93,75)	RS1/16S0R0J	R 174	(B,131,59)	RS1/16S102J
	R 114	(B,126,77)	RS1/16S473J	R 175	(B,134,81)	RS1/16S102J
	R 115	(B,123,78)	RS1/16S471J	R 176	(A,116,57)	RS1/16S682J
	R 116	(B,123,77)	RS1/16S102J	R 178	(B,134,84)	RS1/16S102J
	R 117	(B,123,75)	RS1/16S0R0J	R 180	(B,136,81)	RS1/16S102J
	R 118	(B,126,74)	RS1/16S473J	R 181	(A,143,54)	RS1/16S102J
	R 119	(B,126,73)	RS1/16S473J	R 182	(B,136,84)	RS1/16S102J
	R 120	(B,126,71)	RS1/16S473J	R 184	(B,137,81)	RS1/16S102J
C	R 121	(B,126,69)	RS1/16S473J	R 186	(B,137,59)	RS1/16S221J
	R 122	(B,123,65)	RS1/16S473J	R 187	(B,137,65)	RS1/16S104J
	R 123	(B,126,65)	RS1/16S473J	R 188	(B,139,59)	RS1/16S221J
	R 124	(A,115,63)	RS1/16S223J	R 189	(B,137,62)	RS1/16S473J
	R 125	(A,119,61)	RS1/16S221J	R 190	(B,139,65)	RS1/16S473J
	R 126	(A,119,60)	RS1/16S221J	R 191	(B,137,84)	RS1/16S102J
	R 127	(B,128,59)	RS1/16S102J	R 192	(A,130,9)	RS1/16S820J
	R 128	(B,96,75)	RS1/16S102J	R 193	(B,139,81)	RS1/16S102J
	R 129	(A,120,71)	RS1/16S0R0J	R 194	(B,139,84)	RS1/16S102J
	R 130	(B,90,76)	RS1/16S0R0J	R 195	(A,152,90)	RS1/16S473J
D	R 131	(B,127,59)	RS1/16S102J	R 196	(B,139,62)	RS1/16S473J
	R 132	(B,128,78)	RS1/16S473J	R 197	(A,152,89)	RS1/16S473J
	R 133	(B,124,81)	RS1/16S102J	R 198	(A,152,87)	RS1/16S473J
	R 134	(B,43,53)	RS1/16S473J	R 200	(A,152,86)	RS1/16S473J
	R 135	(A,124,55)	RS1/16S0R0J	R 201	(A,152,76)	RS1/16S103J
	R 136	(B,127,62)	RS1/16S473J	R 202	(A,155,79)	RS1/16S474J
	R 137	(A,126,55)	RS1/16S0R0J	R 203	(A,150,79)	RS1/16S104J
	R 138	(B,125,81)	RS1/16S102J	R 207	(A,154,74)	RS1/16S473J
	R 139	(A,127,55)	RS1/16S0R0J	R 209	(A,154,71)	RS1/16S473J
	R 140	(B,128,62)	RS1/16S473J			
	R 141	(B,126,78)	RS1/16S105J	R 210	(A,151,69)	RS1/16S102J
	R 142	(A,129,55)	RS1/16S0R0J	R 212	(A,151,68)	RS1/16S473J
	R 143	(B,130,62)	RS1/16S473J	R 213	(A,154,67)	RS1/16S473J
	R 144	(A,130,54)	RS1/16S471J	R 214	(A,151,66)	RS1/16S473J
	R 145	(B,127,81)	RS1/16S471J	R 215	(A,154,65)	RS1/16S102J
E	R 146	(A,132,54)	RS1/16S471J	R 216	(A,151,65)	RS1/16S102J
	R 147	(B,131,65)	RS1/16S473J	R 217	(A,154,64)	RS1/16S102J
	R 148	(B,127,84)	RS1/16S471J	R 218	(A,151,63)	RS1/16S102J
	R 149	(A,134,54)	RS1/16S471J	R 219	(A,154,62)	RS1/16S102J
	R 150	(B,133,65)	RS1/16S473J	R 220	(A,151,62)	RS1/16S102J
	R 151	(B,128,84)	RS1/16S102J	R 221	(A,154,61)	RS1/16S102J
	R 152	(A,135,54)	RS1/16S471J	R 222	(A,151,60)	RS1/16S102J
	R 153	(B,117,82)	RS1/16S103J	R 223	(A,151,57)	RS1/16S473J
	R 155	(B,113,75)	RS1/16S473J	R 224	(A,154,58)	RS1/16S102J
	R 156	(B,110,78)	RS1/16S104J	R 225	(B,107,64)	RS1/16S223J
F	R 157	(B,128,81)	RS1/16S473J	R 226	(A,151,56)	RS1/16S473J
	R 158	(B,134,65)	RS1/16S473J	R 227	(A,154,59)	RS1/16S104J
	R 159	(A,137,54)	RS1/16S471J	R 228	(A,119,63)	RS1/16S102J
	R 160	(B,131,62)	RS1/16S473J	R 230	(A,155,89)	RS1/16S474J
	R 161	(B,130,84)	RS1/16S102J	R 232	(A,129,13)	RS1/16S103J

5		6		7		8	
<u>Circuit Symbol and No.</u>		<u>Part No.</u>		<u>Circuit Symbol and No.</u>		<u>Part No.</u>	
R 233	(A,126,11)	RS1/16S332J		R 299	(A,68,66)	RS1/16S0R0J	
R 234	(A,155,87)	RS1/16S474J		R 300	(A,68,68)	RS1/16S0R0J	
R 235	(B,114,86)	RS1/16S223J		R 301	(B,65,65)	RS1/16S0R0J	A
R 236	(B,110,99)	RS1/16S102J		R 302	(A,68,65)	RS1/16S0R0J	
R 237	(A,130,7)	RS1/16S820J					
				R 303	(B,65,70)	RS1/16S474J	
R 239	(B,103,99)	RS1/16S1503D		R 304	(B,67,73)	RS1/16S474J	
R 240	(B,103,98)	RS1/16S2002D		R 305	(A,68,70)	RS1/16S123J	
R 241	(A,87,72)	RS1/16S473J		R 306	(A,68,75)	RS1/16S123J	
R 242	(A,95,72)	RS1/16S472J		R 307	(B,67,72)	RS1/16S0R0J	
R 243	(A,93,74)	RS1/16S472J					
				R 308	(A,50,61)	RS1/16S153J	
R 244	(A,89,72)	RS1/16S223J		R 309	(A,47,62)	RS1/16S0R0J	
R 245	(B,103,96)	RS1/16S1003D		R 310	(A,51,57)	RS1/16S474J	
R 246	(B,99,96)	RS1/16S0R0J		R 326	(A,61,97)	RS1/16SS0R0J	
R 247	(B,20,153)	RS1/16S103J		R 327	(A,65,93)	RS1/16SS0R0J	B
R 248	(A,10,134)	RS1/16S104J					
				R 328	(A,74,93)	RS1/16SS0R0J	
R 249	(B,10,124)	RS1/16S103J		R 391	(A,22,72)	RS1/16S104J	
R 250	(B,18,151)	RS1/16S103J		R 392	(A,29,72)	RS1/16S104J	
R 251	(B,10,125)	RS1/16S473J		R 393	(A,25,70)	RS1/16S223J	
R 252	(B,18,147)	RS1/16S104J		R 394	(A,26,70)	RS1/16S223J	
R 253	(B,4,112)	RS1/16S102J					
				R 395	(A,19,70)	RS1/16S223J	
R 254	(A,101,68)	RS1/16S102J		R 396	(A,32,70)	RS1/16S223J	
R 255	(A,3,136)	RS1/16S473J		R 397	(A,23,62)	RS1/16S183J	
R 256	(A,27,136)	RS1/16S153J		R 398	(A,28,62)	RS1/16S183J	
R 257	(B,9,151)	RS1/16S103J		R 399	(A,19,66)	RS1/16S183J	
R 258	(B,18,144)	RS1/16S473J					
				R 400	(A,32,66)	RS1/16S183J	C
R 259	(A,5,122)	RS1/16S271J		R 401	(A,36,60)	RS1/16S471J	
R 260	(B,100,66)	RS1/16S472J		R 402	(A,33,60)	RS1/16S103J	
R 261	(B,100,68)	RS1/16S472J		R 403	(A,36,57)	RS1/16S103J	
R 262	(B,10,127)	RS1/16S472J		R 421	(A,81,115)	RS1/16S750J	
R 263	(B,30,113)	RS1/16S820J					
				R 434	(B,91,107)	RS1/16SS0R0J	
R 264	(B,34,111)	RS1/16S472J		R 435	(B,86,107)	RS1/16SS0R0J	
R 265	(A,5,124)	RS1/16S271J		R 436	(B,81,107)	RS1/16SS0R0J	
R 266	(B,6,136)	RS1/16S104J		R 451	(B,49,109)	RS1/16S510J	
R 267	(A,26,24)	RS1/16S101J		R 452	(B,58,109)	RS1/16S510J	
R 268	(A,28,129)	RS1/16S102J					
				R 453	(B,67,109)	RS1/16S510J	
R 269	(A,29,136)	RS1/16S102J		R 454	(B,76,109)	RS1/16S22R0D	D
R 270	(A,31,136)	RS1/16S102J		R 455	(A,65,107)	RS1/16S223J	
R 271	(A,42,133)	RS1/16S102J		R 456	(A,56,107)	RS1/16S223J	
R 272	(A,28,132)	RS1/16S102J		R 457	(A,59,105)	RS1/16S1201D	
R 274	(B,13,151)	RS1/16S103J		R 458	(A,56,105)	RS1/16S1001D	
R 275	(B,42,128)	RS1/16S104J		R 459	(A,72,112)	RS1/16S101J	
R 276	(B,40,128)	RS1/16S473J		R 460	(A,73,106)	RS1/16S101J	
R 279	(B,122,88)	RS1/16S472J		R 461	(A,73,117)	RS1/16S101J	
R 280	(B,120,88)	RS1/16S472J		R 476	(B,49,84)	RS1/16S0R0J	
R 281	(A,47,67)	RS1/16S153J		R 478	(B,49,83)	RS1/16S0R0J	
R 282	(A,155,84)	RS1/16S102J		R 479	(B,47,93)	RS1/16SS0R0J	E
R 284	(A,53,58)	RS1/16S0R0J		R 491	(A,43,69)	RS1/16S681J	
R 285	(B,53,62)	RS1/16S473J		R 492	(A,41,61)	RS1/16S821J	
R 286	(B,57,62)	RS1/16S473J		R 493	(A,43,71)	RS1/16S0R0J	
R 287	(A,54,58)	RS1/16S102J		R 494	(A,38,69)	RS1/16S102J	
R 288	(A,56,58)	RS1/16S102J		R 495	(A,38,65)	RS1/16S681J	
R 290	(A,59,58)	RS1/16S0R0J		R 496	(A,43,61)	RS1/16S0R0J	
R 291	(B,60,62)	RS1/16S474J		R 497	(A,43,72)	RS1/16S303J	
R 292	(B,62,62)	RS1/16S474J		R 498	(A,41,72)	RS1/16S223J	
R 293	(A,60,58)	RS1/16S0R0J		R 511	(A,66,88)	RS1/16S102J	
R 294	(A,62,58)	RS1/16S0R0J		R 512	(B,73,84)	RS1/16S102J	
R 295	(B,60,72)	RS1/16S470J		R 513	(B,73,86)	RS1/16S102J	F
R 296	(B,61,72)	RS1/16S470J		R 514	(B,73,83)	RS1/16S102J	
R 297	(B,65,66)	RS1/16S0R0J		R 515	(B,73,81)	RS1/16S102J	
R 298	(B,65,68)	RS1/16S0R0J		R 516	(A,76,90)	RS1/16S103J	

**Circuit Symbol and No.****Part No.****Circuit Symbol and No.****Part No.**

R 517	(A,76,73)	RS1/16S510J	R 653	(B,55,34)	RS1/16S0R0J
R 518	(A,76,68)	RS1/16S510J	R 654	(B,53,34)	RS1/16S102J
R 519	(A,76,62)	RS1/16S510J	R 655	(B,52,34)	RS1/16S822J
A R 520	(A,79,75)	RS1/16S750J	R 656	(B,50,34)	RS1/16S0R0J
R 521	(A,79,70)	RS1/16S750J	R 657	(B,49,34)	RS1/16S221J
R 522	(A,79,64)	RS1/16S750J	R 658	(B,40,34)	RS1/16S221J
R 523	(A,82,73)	RS1/16S101J	R 659	(B,40,32)	RS1/16S102J
R 524	(A,82,67)	RS1/16S101J	R 660	(B,40,31)	RS1/16S102J
R 525	(A,82,62)	RS1/16S101J	R 661	(B,33,26)	RS1/16S0R0J
R 526	(A,81,88)	RS1/16S0R0J	R 662	(B,40,27)	RS1/16S0R0J
R 551	(A,115,61)	RS1/16S102J	R 663	(B,26,12)	RS1/16S0R0J
R 552	(A,101,62)	RS1/16S472J	R 664	(B,14,10)	RS1/16S102J
R 553	(A,105,69)	RS1/16S101J	R 665	(B,14,8)	RS1/16S102J
R 554	(A,108,69)	RS1/16S101J	R 666	(B,17,7)	RS1/16S0R0J
B R 555	(A,105,71)	RS1/16S150J	R 667	(A,31,8)	RS1/16S152J
R 556	(A,108,71)	RS1/16S470J	R 668	(A,27,11)	RS1/16S103J
R 561	(A,97,61)	RS1/16S681J	R 669	(A,53,35)	RS1/16S223J
R 562	(A,97,62)	RS1/16S472J	R 670	(A,53,34)	RS1/16S103J
R 563	(A,93,64)	RS1/16S102J	R 671	(A,35,33)	RS1/16S102J
R 564	(A,91,67)	RS1/16S102J	R 672	(A,29,33)	RS1/16S103J
R 565	(A,93,67)	RS1/16S681J	R 673	(A,25,33)	RS1/16S223J
R 566	(A,90,60)	RS1/16S102J	R 674	(A,25,35)	RS1/16S473J
R 567	(A,93,60)	RS1/16S471J	R 675	(A,33,38)	RS1/16S472J
R 571	(A,141,88)	RS1/16S0R0J	R 676	(A,33,40)	RS1/16S472J
C R 572	(A,140,88)	RS1/16S0R0J	R 677	(A,30,42)	RS1/16S102J
R 573	(A,138,88)	RS1/16S0R0J	R 678	(A,28,42)	RS1/16S102J
R 574	(A,137,88)	RS1/16S0R0J	R 679	(A,49,35)	RS1/16S223J
R 578	(A,131,88)	RS1/16S0R0J	R 680	(A,49,34)	RS1/16S103J
R 579	(A,129,88)	RS1/16S0R0J	R 681	(A,43,8)	RS1/16S182J
R 580	(A,128,88)	RS1/16S0R0J	R 682	(A,40,8)	RS1/16S182J
R 581	(A,126,88)	RS1/16S471J	R 684	(A,29,8)	RS1/16S152J
R 582	(A,125,88)	RS1/16S471J	R 701	(A,55,27)	RS1/16S151J
R 583	(A,123,88)	RS1/16S471J	R 702	(A,55,25)	RS1/16S0R0J
R 584	(A,122,88)	RS1/16S471J	R 703	(A,55,24)	RS1/16S151J
D R 585	(A,120,88)	RS1/16S221J	R 704	(A,55,22)	RS1/16S151J
R 586	(A,119,88)	RS1/16S221J	R 705	(A,55,20)	RS1/16S151J
R 587	(B,105,104)	RS1/16S101J	R 706	(A,55,18)	RS1/16S0R0J
R 588	(B,105,107)	RS1/16S472J	R 708	(A,56,14)	RS1/16S0R0J
R 589	(B,106,112)	RAB4CQ121J	R 709	(A,56,12)	RS1/16S0R0J
R 590	(B,108,112)	RAB4CQ121J	R 710	(A,53,11)	RS1/16S0R0J
R 591	(B,104,112)	RS1/16S472J	R 711	(A,48,109)	RS1/16S0R0J
R 592	(A,109,76)	RS1/16S103J	R 712	(A,35,111)	RS1/16S0R0J
R 593	(A,107,75)	RS1/16S103J	R 714	(A,55,95)	RS1/16S471J
R 594	(A,100,88)	RS1/16S0R0J	R 715	(A,58,94)	RS1/16S102J
E R 595	(A,100,85)	RS1/16S0R0J	R 716	(A,55,93)	RS1/16S471J
R 596	(A,99,88)	RS1/16S0R0J	R 717	(A,58,92)	RS1/16S0R0J
R 597	(A,98,85)	RS1/16S0R0J	R 718	(A,55,92)	RS1/16S0R0J
R 598	(A,97,88)	RS1/16S0R0J	R 719	(A,58,91)	RS1/16S0R0J
R 599	(A,97,85)	RS1/16S0R0J	R 720	(B,51,83)	RS1/16S152J
R 600	(A,96,88)	RS1/16S0R0J	R 721	(B,53,83)	RS1/16S152J
R 601	(A,95,85)	RS1/16S0R0J	R 723	(A,55,89)	RS1/16S0R0J
R 602	(A,94,88)	RS1/16S0R0J	R 724	(A,55,88)	RS1/16S0R0J
R 603	(B,108,103)	RS1/16S101J	R 725	(A,55,86)	RS1/16S0R0J
R 604	(B,103,101)	RS1/16S0R0J	R 726	(B,53,87)	RS1/16S0R0J
R 605	(B,106,91)	RS1/16S0R0J	R 727	(A,59,89)	RS1/16S0R0J
R 631	(B,104,69)	RS1/16S102J	R 728	(A,56,15)	RS1/16S102J
F R 632	(A,110,81)	RS1/16S103J	R 751	(A,80,118)	RS1/16S0R0J
R 633	(A,109,81)	RS1/16S103J	R 752	(A,84,118)	RS1/16S47R0D
R 636	(B,110,65)	RS1/16S0R0J	R 753	(B,81,126)	RS1/16S0R0J
R 652	(B,56,34)	RS1/16S0R0J	R 760	(B,83,126)	RS1/16S0R0J

5		6		7		8	
<u>Circuit Symbol and No.</u>		<u>Part No.</u>		<u>Circuit Symbol and No.</u>		<u>Part No.</u>	
R 761	(B,85,126)	RS1/16S0R0J		R 951	(A,88,93)	RS1/16S0R0J	
R 762	(B,87,126)	RS1/16S0R0J		R 3001	(A,148,28)	RS1/16S471J	
R 763	(A,88,118)	RS1/16S472J		R 3002	(A,151,29)	RS1/16S680J	
R 764	(A,95,115)	RS1/16S0R0J		R 3003	(A,148,30)	RS1/16S680J	A
R 765	(A,96,118)	RS1/16S0R0J		R 3004	(A,149,32)	RS1/16S473J	
R 766	(B,4,120)	RS1/16S473J		R 3005	(A,151,32)	RS1/16S102J	
R 767	(B,6,123)	RS1/16S473J		R 3006	(B,136,35)	RS1/16S102J	
R 768	(B,45,128)	RS1/16S0R0J		R 3007	(A,149,33)	RS1/16S102J	
R 769	(B,46,128)	RS1/16S0R0J		R 3008	(A,147,36)	RS1/16S105J	
R 770	(B,49,128)	RS1/16S0R0J		R 3009	(B,139,37)	RS1/16SS473J	
R 771	(B,52,128)	RS1/16S0R0J		R 3010	(A,149,43)	RS1/16SS473J	
R 772	(B,51,128)	RS1/16S0R0J		R 3011	(A,151,42)	RS1/16S221J	
R 773	(A,82,118)	RS1/16S4R7J		R 3012	(A,149,42)	RS1/16S221J	
R 774	(A,70,117)	RS1/16S0R0J		R 3013	(A,147,42)	RS1/16SS104J	B
R 775	(A,68,122)	RS1/16S0R0J		R 3014	(A,149,44)	RS1/16S680J	
R 776	(A,69,119)	RS1/16S0R0J		R 3015	(A,149,46)	RS1/16S680J	
R 777	(A,68,123)	RS1/16S0R0J		R 3016	(A,145,45)	RS1/16SS473J	
R 778	(A,93,118)	RS1/16S0R0J		R 3017	(A,145,47)	RAB4CQ221J	
R 779	(A,86,115)	RS1/16S223J		R 3018	(A,142,48)	RS1/16S102J	
R 780	(A,93,115)	RS1/16S0R0J		R 3019	(A,139,47)	RAB4CQ471J	
R 851	(B,49,71)	RS1/16S104J		R 3020	(B,139,42)	RS1/16SS473J	
R 853	(B,75,118)	RS1/16S104J		R 3021	(B,138,42)	RS1/16SS473J	
R 855	(B,52,76)	RS1/16S471J		R 3023	(A,136,47)	RS1/16S102J	
R 856	(B,71,115)	RS1/16S152J		R 3024	(B,138,44)	RS1/16SS473J	
R 858	(B,56,74)	RS1/16S473J		R 3026	(B,137,42)	RS1/16SS473J	C
R 859	(B,42,68)	RS1/16S223J		R 3028	(B,136,42)	RS1/16SS473J	
R 860	(B,43,68)	RS1/16S223J		R 3030	(B,135,42)	RS1/16SS473J	
R 861	(B,41,70)	RS1/16S223J		R 3032	(B,134,42)	RS1/16SS473J	
R 862	(B,48,66)	RS1/16S223J		R 3034	(B,133,42)	RS1/16SS473J	
R 863	(B,46,71)	RS1/16S223J		R 3035	(A,132,47)	RAB4CQ471J	
R 864	(B,48,63)	RS1/16S223J		R 3036	(B,132,42)	RS1/16SS473J	
R 865	(B,46,58)	RS1/16S223J		R 3037	(B,131,42)	RS1/16SS473J	
R 866	(B,41,58)	RS1/16S223J		R 3038	(B,130,42)	RS1/16SS473J	
R 867	(B,43,60)	RS1/16S223J		R 3039	(A,126,43)	RS1/16S102J	
R 868	(B,42,60)	RS1/16S223J		R 3040	(B,131,34)	RS1/16S104J	
R 869	(B,52,71)	RS1/16S473J		R 3041	(B,129,42)	RS1/16SS473J	D
R 871	(B,98,117)	RS1/16S1502D		R 3042	(A,126,41)	RS1/16S102J	
R 872	(B,98,121)	RS1/16S2202D		R 3043	(A,126,39)	RAB4CQ221J	
R 873	(B,100,117)	RS1/16S471J		R 3044	(B,131,39)	RS1/16SS473J	
R 874	(B,110,117)	RS1/16S471J		R 3045	(B,126,37)	RS1/16S221J	
R 875	(B,84,151)	RS1/16S331J		R 3046	(B,131,38)	RS1/16SS473J	
R 876	(B,76,147)	RS1/16S331J		R 3048	(A,126,20)	RS1/16S103J	
R 878	(B,71,114)	RS1/16S122J		R 3049	(A,130,24)	RS1/16S104J	
R 879	(A,46,139)	RS1/16SS103J		R 3050	(A,129,17)	RS1/16S474J	
R 880	(B,68,130)	RS1/16SS104J		R 3051	(A,135,26)	RAB4CQ102J	
R 881	(B,66,128)	RS1/16SS473J		R 3052	(A,139,26)	RS1/16SS473J	E
R 882	(B,61,139)	RS1/16SS104J		R 3053	(A,140,26)	RS1/16SS473J	
R 883	(B,64,139)	RS1/16SS473J		R 3054	(A,141,26)	RS1/16SS473J	
R 884	(B,54,138)	RS1/16SS104J		R 3055	(B,139,32)	RS1/16S221J	
R 885	(B,51,137)	RS1/16SS473J		R 3056	(A,143,26)	RAB4CQ221J	
R 886	(B,68,120)	RS1/16SS104J		R 3057	(B,134,30)	RS1/16SS473J	
R 887	(B,70,122)	RS1/16SS473J		R 3058	(A,138,26)	RS1/16SS473J	
R 888	(B,48,143)	RS1/16SS104J		R 3059	(A,137,26)	RS1/16SS473J	
R 889	(B,46,144)	RS1/16SS473J		R 3060	(A,132,26)	RS1/16SS473J	
R 890	(B,46,140)	RS1/16SS104J		R 3061	(A,131,25)	RS1/16SS473J	
R 891	(B,48,142)	RS1/16SS473J		R 3062	(A,122,41)	RS1/16SS473J	
R 892	(B,50,145)	RS1/16SS472J		R 3063	(A,123,41)	RS1/16SS473J	F
R 893	(B,54,140)	RS1/16SS102J		R 3064	(A,147,46)	RS1/16SS473J	
R 894	(B,64,137)	RS1/16SS102J		R 3101	(A,69,54)	RS1/16S0R0J	
R 895	(B,46,138)	RS1/16SS102J		R 3102	(A,75,54)	RS1/16SS473J	

**Circuit Symbol and No.****Part No.****Circuit Symbol and No.****Part No.**

	R 3103	(A,70,46)	RS1/16S0R0J	R 3331	(B,108,11)	RS1/16S392J
	R 3104	(A,71,43)	RS1/16S0R0J	R 3332	(A,146,21)	RS1/16S0R0J
	R 3105	(A,72,43)	RS1/16S0R0J	R 3333	(A,42,45)	RS1/16S0R0J
A	R 3106	(A,74,43)	RS1/16S0R0J	R 3334	(A,48,38)	RS1/16S0R0J
	R 3107	(A,76,43)	RS1/16S0R0J	R 3335	(A,144,19)	RS1/16S0R0J
	R 3108	(A,78,45)	RS1/16SS473J	R 3401	(A,102,15)	RAB4CQ680J
	R 3109	(A,78,46)	RS1/16SS473J	R 3402	(A,107,15)	RAB4CQ680J
	R 3110	(A,78,47)	RS1/16SS473J	R 3403	(A,111,14)	RS1/16SS151J
	R 3151	(A,61,18)	RS1/16S0R0J	R 3404	(A,112,15)	RS1/16SS101J
	R 3155	(A,71,28)	RS1/16S153J	R 3405	(A,113,15)	RS1/16SS151J
	R 3156	(A,75,28)	RS1/16S0R0J	R 3406	(A,115,15)	RAB4CQ151J
	R 3157	(A,73,28)	RS1/16S0R0J	R 3407	(A,118,15)	RAB4CQ151J
	R 3158	(A,76,40)	RS1/16S0R0J	R 3408	(A,118,32)	RAB4CQ151J
B	R 3159	(A,73,40)	RS1/16S0R0J	R 3409	(A,115,32)	RS1/16SS473J
	R 3160	(A,75,40)	RS1/16S0R0J	R 3410	(A,112,32)	RS1/16SS101J
	R 3161	(A,71,40)	RS1/16S0R0J	R 3411	(A,108,32)	RAB4CQ101J
	R 3162	(A,68,40)	RS1/16S0R0J	R 3412	(A,103,32)	RAB4CQ101J
	R 3163	(A,66,40)	RAB4CQ0R0J	R 3413	(A,113,32)	RS1/16SS0R0J
	R 3164	(A,65,34)	RS1/16S102J	R 3451	(A,98,24)	RS1/16SS473J
	R 3165	(A,71,27)	RS1/16S0R0J	R 3501	(A,114,42)	RAB4CQ221J
	R 3166	(A,65,15)	RS1/16S0R0J	R 3503	(A,101,54)	RS1/16S0R0J
	R 3201	(B,32,134)	RS1/16S102J	R 3504	(A,97,44)	RS1/16S0R0J
	R 3202	(B,32,135)	RS1/16S102J	R 3505	(A,105,36)	RAB4CQ0R0J
	R 3203	(B,31,138)	RS1/16S473J	R 3506	(A,108,36)	RS1/16S0R0J
C	R 3204	(B,29,132)	RS1/16S102J	R 3507	(A,109,36)	RS1/16S0R0J
	R 3205	(B,24,132)	RS1/16S680J	R 3509	(A,42,115)	RS1/16S151J
	R 3251	(A,79,32)	RS1/16S0R0J	R 3510	(A,48,115)	RS1/16S151J
	R 3252	(A,78,37)	RS1/16S0R0J	R 3511	(A,47,115)	RS1/16S151J
	R 3253	(A,84,31)	RS1/16S0R0J	R 3512	(A,53,115)	RS1/16S151J
	R 3254	(A,82,37)	RS1/16S0R0J	R 3513	(B,55,128)	RS1/16S151J
	R 3301	(A,112,7)	RS1/16SS221J	R 3514	(B,57,128)	RS1/16S151J
	R 3302	(A,105,9)	RS1/16SS221J	R 3515	(B,52,122)	RS1/16S151J
	R 3303	(A,109,7)	RS1/16SS221J	R 3551	(A,89,42)	RS1/16S0R0J
	R 3304	(A,112,8)	RS1/16SS221J	R 3552	(A,94,45)	RS1/16S0R0J
	R 3305	(B,71,22)	RS1/16SS390J	R 3553	(A,94,47)	RS1/16S151J
D	R 3306	(B,70,23)	RS1/16SS151J	R 3554	(A,94,49)	RS1/16S0R0J
	R 3307	(B,70,29)	RS1/16S390J	R 3555	(B,57,122)	RS1/16S151J
	R 3308	(B,92,42)	RS1/16S0R0J	R 3556	(B,58,121)	RS1/16S151J
	R 3309	(B,93,42)	RS1/16S0R0J	R 3557	(A,83,46)	RAB4CQ221J
	R 3310	(B,94,46)	RS1/16S0R0J	R 3605	(B,55,122)	RS1/16S223J
	R 3311	(B,96,45)	RAB4CQ0R0J	R 3606	(B,53,122)	RS1/16S223J
	R 3312	(B,99,45)	RAB4CQ151J	R 3607	(A,43,118)	RS1/16S223J
	R 3313	(B,102,43)	RS1/16S151J	R 3608	(A,46,118)	RS1/16S223J
	R 3314	(B,103,46)	RS1/16S102J	R 3609	(A,49,118)	RS1/16S223J
	R 3315	(B,104,43)	RS1/16S151J	R 3610	(A,52,118)	RS1/16S223J
E	R 3316	(B,105,40)	RS1/16S182J	R 3611	(B,57,132)	RS1/16S223J
	R 3317	(A,103,36)	RS1/16S0R0J	R 3612	(B,55,132)	RS1/16S223J
	R 3318	(B,108,38)	RS1/16S392J	R 3613	(B,60,121)	RS1/16S223J
	R 3319	(B,108,35)	RS1/16S392J	R 3656	(A,55,47)	RS1/16S103J
	R 3320	(B,108,34)	RS1/16S392J	R 3657	(A,57,47)	RS1/16S332J
	R 3321	(B,108,32)	RS1/16S182J	R 3671	(B,129,17)	RS1/16S1001D
	R 3322	(B,108,29)	RS1/16S182J	R 3672	(B,131,17)	RS1/16S1101D
	R 3323	(B,108,27)	RS1/16S182J	R 3681	(A,59,42)	RS1/16S102J
	R 3324	(B,112,29)	RS1/16S0R0J	R 3701	(B,31,6)	RS1/16S0R0J
	R 3325	(B,112,31)	RS1/16S0R0J	R 3702	(B,31,8)	RS1/16S0R0J
	R 3326	(B,112,28)	RS1/16S392J	R 3703	(B,32,10)	RS1/16S0R0J
F	R 3327	(B,112,26)	RS1/16S392J	R 3704	(A,27,28)	RS1/16S0R0J
	R 3328	(B,113,11)	RS1/16S821J	R 3705	(A,29,28)	RS1/16S0R0J
	R 3329	(B,115,14)	RS1/16S105J	R 3706	(A,30,28)	RS1/16S0R0J
	R 3330	(B,108,14)	RS1/16S220J	R 3707	(A,32,28)	RS1/16S0R0J

<u>Circuit Symbol and No.</u>		<u>Part No.</u>	<u>Circuit Symbol and No.</u>		<u>Part No.</u>
R 3708	(A,33,28)	RS1/16S0R0J	C 281	(A,47,65)	CKSRYB105K10
R 3709	(A,35,28)	RS1/16S0R0J	C 282	(A,53,79)	CKSRYB104K25
R 3710	(A,36,28)	RS1/16S0R0J			
R 3711	(A,38,28)	RS1/16S0R0J	C 283	(A,47,75) 10 $\mu$ F	CCG1171
			C 284	(B,56,68)	CKSRYB104K25
R 3712	(A,39,28)	RS1/16S0R0J	C 285	(A,47,73) 10 $\mu$ F	CCG1171
R 3713	(B,33,15)	RS1/16S0R0J	C 286	(A,47,69) 10 $\mu$ F	CCG1171
R 3714	(B,33,16)	RS1/16S0R0J	C 287	(A,47,71) 10 $\mu$ F	CCG1171
R 3715	(B,33,18)	RS1/16S0R0J			
R 3716	(B,34,20)	RS1/16S0R0J	C 288	(B,57,90)	CEVLW220M16
			C 289	(A,47,76)	CKSRYB104K25
R 3721	(B,64,16)	RS1/16SS0R0J	C 290	(B,52,59)	CKSRYB474K10
R 3722	(B,64,15)	RS1/16SS0R0J	C 291	(B,54,59) 10 $\mu$ F	CCG1171
R 3723	(B,64,14)	RS1/16SS0R0J	C 292	(B,56,59) 10 $\mu$ F	CCG1171
R 3724	(B,64,13)	RS1/16SS0R0J			
R 3725	(B,64,17)	RS1/16SS0R0J	C 293	(B,55,65)	CKSRYB104K25
			C 294	(B,56,65)	CKSRYB104K25
R 3726	(B,63,18)	RS1/16SS0R0J	C 295	(A,61,80) 10 $\mu$ F	CCG1171
R 3727	(B,62,19)	RS1/16SS0R0J	C 296	(A,59,80) 10 $\mu$ F	CCG1171
R 3728	(B,62,20)	RS1/16SS0R0J	C 298	(B,58,59)	CKSRYB105K10
R 3729	(B,64,12)	RS1/16SS0R0J			
R 3730	(B,64,11)	RS1/16SS0R0J	C 299	(B,60,59)	CKSRYB105K10
			C 300	(B,68,59)	CKSRYB105K10
R 3731	(B,64,10)	RS1/16SS0R0J	C 301	(B,60,65)	CKSRYB104K25
R 3732	(B,64,9)	RS1/16SS0R0J	C 302	(B,62,65)	CKSRYB104K25
			C 303	(B,67,66)	CKSRYB105K10

**CAPACITORS**

C 101	(B,94,90) 220 $\mu$ F/10 V	CCH1409	C 304	(B,67,68)	CKSRYB105K10
C 102	(B,88,68)	CKSRYB104K25	C 305	(B,62,67)	CKSRYB104K25
C 103	(A,119,70)	CCSRCH5R0C50	C 306	(B,62,69)	CKSRYB104K25
C 104	(A,119,73)	CCSRCH5R0C50	C 307	(B,67,65)	CKSRYB104K25
C 105	(A,117,82)	CKSRYB104K25	C 308	(A,68,72)	CKSRYB105K10
			C 309	(B,67,70)	CKSRYB105K10
C 106	(A,118,82)	CKSRYB102K50	C 310	(A,68,73)	CKSRYB105K10
C 107	(B,93,67)	CKSRYB105K10	C 311	(A,50,59)	CKSRYB105K10
C 108	(B,126,68)	CCSRCH470J50	C 312	(A,47,64)	CKSRYB105K10
C 109	(B,126,66)	CCSRCH470J50	C 313	(B,55,62)	CKSSYB102K50
C 110	(B,123,63)	CKSRYB103K50			
			C 314	(B,56,62)	CKSSYB102K50
C 111	(A,121,80)	CKSRYB105K10	C 391	(A,23,70) 10 $\mu$ F	CCG1171
C 112	(A,117,79)	CKSYB475K16	C 392	(A,28,70) 10 $\mu$ F	CCG1171
C 113	(B,131,81)	CKSRYB474K10	C 393	(A,21,70) 10 $\mu$ F	CCG1171
C 114	(A,152,82)	CKSRYB103K50	C 394	(A,30,70) 10 $\mu$ F	CCG1171
C 116	(A,151,59)	CKSRYB104K25			
			C 395	(A,23,63)	CCSRCH180J50
C 234	(B,96,96) 10 $\mu$ F	CCG1171	C 396	(A,28,63)	CCSRCH180J50
C 235	(A,17,131) 0.22 $\mu$ F/3.5 V	CCL1058	C 397	(A,20,66)	CCSRCH180J50
C 236	(A,101,74)	CKSRYB105K10	C 398	(A,31,66)	CCSRCH180J50
			C 399	(A,36,59)	CKSRYB104K25
C 237	(B,9,116)	CKSRYB105K10			
C 238	(B,16,154) 10 $\mu$ F	CCG1182	C 400	(A,30,60)	CKSRYB102K50
C 239	(B,96,105)	CKSRYB105K10	C 401	(A,33,62)	CKSRYB104K25
C 240	(A,7,105)	CEVLW220M16	C 402	(A,28,58) 22 $\mu$ F	CCG1178
C 241	(B,29,21) 22 $\mu$ F	CCG1178	C 421	(A,80,112) 10 $\mu$ F	CCG1171
			C 422	(A,82,112) 10 $\mu$ F	CCG1171
C 242	(B,85,100) 220 $\mu$ F/10 V	CCH1409			
C 243	(A,10,115)	CKSRYB104K25	C 423	(A,81,105)	CKSRYB104K25
C 244	(A,10,110)	CKSRYB105K10	C 451	(A,59,119)	CKSRYB104K25
C 245	(B,19,104)	CEVLW101M6R3	C 452	(B,37,105)	CEVLW101M6R3
C 246	(A,26,22)	CKSRYB105K10	C 453	(A,61,119)	CKSRYB104K25
			C 454	(B,45,109) 22 $\mu$ F	CCG1178
C 247	(B,9,153)	CKSRYB105K10			
C 248	(B,6,116)	CKSRYB105K10	C 455	(B,54,109) 22 $\mu$ F	CCG1178
C 249	(A,98,70)	CKSRYB103K50	C 456	(B,63,109) 22 $\mu$ F	CCG1178
C 250	(B,29,108)	CKSRYB104K25	C 457	(B,72,109) 22 $\mu$ F	CCG1178
C 251	(A,24,136)	CKSRYB104K25	C 458	(B,45,104)	CEVLW101M6R3
			C 459	(B,54,104)	CEVLW101M6R3
C 252	(B,7,105)	CEVLW220M16			
C 253	(A,98,74)	CKSRYB105K10	C 460	(B,63,104)	CEVLW101M6R3
C 255	(B,10,130)	CKSRYB104K25	C 461	(B,72,104)	CEVLW101M6R3
			C 462	(A,67,107)	CKSRYB105K10

**Circuit Symbol and No.****Part No.****Circuit Symbol and No.****Part No.**

	C 463 (A,64,107)	CKSRYB105K10	C 3001 (A,147,39)	CKSSYB104K10
	C 464 (A,57,107)	CKSRYB105K10	C 3002 (B,134,32)	CKSRYB105K10
A	C 465 (A,59,107)	CKSRYB104K25	C 3003 (A,126,36)	CKSSYB104K10
	C 466 (A,61,107)	CKSRYB104K25	C 3004 (A,131,20)	CKSRYB103K50
	C 467 (A,62,107)	CKSRYB105K10	C 3103 (A,78,50)	CCSRCH681J50
	C 491 (A,38,72)	CKSRYB105K10	C 3104 (A,75,56) 2.2 $\mu$ F	CCG1179
	C 512 (A,66,87)	CKSRYB105K10	C 3105 (A,71,55) 10 $\mu$ F	CCG1171
	C 513 (A,66,85)	CKSRYB105K10	C 3106 (A,70,51) 10 $\mu$ F	CCG1171
	C 514 (A,66,84)	CKSRYB105K10	C 3107 (A,74,54)	CKSSYB104K10
	C 515 (A,66,81)	CKSRYB105K10	C 3108 (A,73,54)	CKSSYB104K10
	C 516 (A,66,79)	CKSRYB105K10	C 3109 (A,71,52)	CKSSYB104K10
	C 517 (A,66,78)	CKSRYB105K10	C 3151 (A,66,19)	CKSSYB104K10
	C 518 (A,66,76)	CKSRYB105K10	C 3152 (A,62,31) 10 $\mu$ F	CCG1171
B	C 519 (A,66,82)	CKSRYB104K25	C 3153 (A,64,31)	CKSSYB104K10
	C 520 (B,86,90)	CEVLW101M6R3	C 3154 (A,72,23) 10 $\mu$ F	CCG1171
	C 521 (B,83,83) 22 $\mu$ F	CCG1178	C 3155 (A,72,25)	CKSSYB104K10
	C 522 (B,78,89)	CEVLW101M6R3	C 3156 (A,66,24)	CCSRCH100D50
	C 523 (B,73,89) 22 $\mu$ F	CCG1178	C 3157 (A,68,24)	CCSRCH100D50
	C 524 (B,68,91)	CEVLW101M6R3	C 3201 (B,38,141)	CKSRYB104K25
	C 525 (B,63,92) 22 $\mu$ F	CCG1178	C 3202 (B,28,132)	CKSRYB104K25
	C 526 (A,78,87)	CKSRYB104K25	C 3203 (B,25,130)	CCSRCH470J50
	C 527 (A,78,84)	CKSRYB104K25	C 3253 (A,86,29)	CCSRCH100D50
	C 528 (A,78,81)	CKSRYB104K25	C 3254 (A,82,34)	CKSRYB105K10
	C 529 (A,79,79)	CKSRYB105K10	C 3255 (A,82,36)	CCSRCH100D50
C	C 530 (A,79,77)	CKSRYB105K10	C 3256 (A,81,43)	CKSRYB105K10
	C 551 (A,108,68)	CKSRYB102K50	C 3257 (A,86,33)	CKSSYB104K10
	C 552 (A,105,68)	CKSRYB102K50	C 3258 (A,90,39)	CKSSYB104K10
	C 553 (A,102,62)	CKSRYB104K25	C 3259 (A,92,35)	CKSSYB104K10
	C 561 (A,89,67)	CKSRYB102K50	C 3260 (A,82,53)	CSZSR470M10
	C 571 (A,106,143) 2 200 $\mu$ F/16 V	CCH1405(P35)	C 3301 (B,101,8)	CKSSYB104K10
	C 631 (B,110,73)	CKSRYB104K25	C 3302 (B,98,8)	CKSSYB104K10
	C 632 (B,100,76)	CKSRYB104K25	C 3303 (B,96,8)	CKSSYB104K10
	C 651 (B,22,21)	CEVLW100M16	C 3304 (B,94,8)	CKSSYB104K10
	C 652 (B,14,15)	CKSRYB104K25	C 3305 (B,92,8)	CKSSYB104K10
D	C 653 (B,17,16)	CKSRYB103K50	C 3306 (B,89,8)	CKSSYB104K10
	C 654 (B,26,7)	CEVLW100M16	C 3307 (B,87,8)	CKSSYB104K10
	C 655 (B,26,10)	CKSRYB104K25	C 3308 (B,85,8)	CKSSYB104K10
	C 656 (A,29,34)	CKSRYB103K50	C 3309 (B,83,8)	CKSSYB104K10
	C 657 (A,29,36)	CKSRYB103K50	C 3310 (B,81,8)	CKSSYB104K10
	C 751 (B,43,128)	CCSRCH471J50	C 3311 (B,80,7)	CKSSYB104K10
	C 851 (B,75,117)	CKSRYB471K50	C 3312 (B,78,7)	CKSSYB104K10
	C 853 (B,75,115)	CKSRYB104K25	C 3313 (B,76,8)	CKSSYB104K10
	C 854 (B,57,74)	CCSRCH100D50	C 3314 (B,72,11)	CKSSYB104K10
	C 855 (B,49,76)	CKSRYB105K10	C 3315 (B,72,13)	CKSSYB104K10
	C 857 (B,39,67) 10 $\mu$ F	CCG1171	C 3316 (B,71,17)	CKSSYB104K10
E	C 858 (B,39,69) 10 $\mu$ F	CCG1171	C 3317 (B,72,18)	CKSSYB104K10
	C 859 (B,50,66)	CCSRCH180J50	C 3318 (B,72,20)	CKSSYB104K10
	C 860 (B,46,69)	CCSRCH180J50	C 3319 (B,71,25)	CKSSYB104K10
	C 861 (B,50,63)	CCSRCH180J50	C 3320 (B,71,27)	CKSSYB104K10
	C 862 (B,46,59)	CCSRCH180J50	C 3321 (B,71,31)	CKSSYB104K10
	C 863 (B,39,62) 10 $\mu$ F	CCG1171	C 3322 (B,72,33)	CKSSYB104K10
	C 864 (B,39,60) 10 $\mu$ F	CCG1171	C 3323 (B,72,35)	CKSSYB104K10
	C 867 (B,60,133)	CKSRYB105K10	C 3324 (B,72,37)	CKSSYB104K10
	C 868 (B,43,64)	CKSRYB105K10	C 3325 (B,76,42)	CKSSYB104K10
	C 871 (B,100,121)	CCSRCH101J50	C 3326 (B,78,42)	CKSSYB104K10
	C 872 (B,100,127)	CKSRYB102K50	C 3327 (B,81,42)	CKSSYB104K10
F	C 873 (B,106,123)	CCSRCH101J50	C 3328 (B,83,42)	CKSSYB104K10
	C 874 (B,104,150)	CEVLW220M16	C 3329 (B,85,42)	CKSSYB104K10
	C 875 (B,100,150)	CKSQYB475K6R3	C 3330 (B,87,42)	CKSSYB104K10
	C 876 (B,79,152)	CKSRYB104K25	C 3331 (B,90,42)	CKSSYB104K10

<u>Circuit Symbol and No.</u>		<u>Part No.</u>	<u>Circuit Symbol and No.</u>		<u>Part No.</u>
C 3332	(B,95,42)	CKSSYB104K10	C 3681	(A,62,39)	CKSRYB105K10
C 3333	(B,98,42)	CKSSYB104K10	C 3682	(A,57,39)	CKSRYB103K50
C 3334	(B,106,38)	CKSSYB104K10	C 3683	(A,59,35)	CKSQYB475K6R3
C 3335	(B,106,35)	CKSSYB104K10	C 3684	(A,59,36)	CKSSYB104K10
C 3336	(B,106,31)	CKSSYB104K10	C 3691	(A,73,138) 0.1 $\mu$ F/5.5 V	CCL1059
C 3338	(B,106,27)	CKSSYB104K10	C 3692	(A,50,44)	CKSRYB105K10
C 3339	(B,106,24)	CKSSYB104K10	C 3693	(A,52,44)	CKSRYB103K50
C 3340	(B,106,20)	CKSSYB104K10	C 3694	(A,54,39)	CKSRYB105K10
C 3341	(B,106,17)	CKSSYB104K10	<b>B</b> <b>Unit Number : CWN1533</b> <b>Unit Name : Keyboard Unit</b>		
C 3342	(B,108,17)	CKSSYB104K10			
C 3343	(B,109,20) 10 $\mu$ F	CCG1171			
C 3344	(B,112,16)	CKSRYB104K25			
C 3345	(B,117,11)	CCSRCH9R0D50			
C 3346	(B,117,16)	CCSRCH9R0D50			
C 3347	(B,106,12)	CKSSYB104K10			
C 3348	(B,106,10)	CKSSYB104K10			
C 3401	(B,123,18)	CEVLW101M6R3			
C 3402	(A,100,16)	CKSSYB104K10			
C 3403	(A,105,16)	CKSSYB104K10	IC 7001	(B,127,13) IC	PD2073A
C 3404	(A,110,16)	CKSSYB104K10	IC 7002	(B,20,17) IC	BD4834G
C 3405	(A,121,16)	CKSSYB104K10	IC 7003	(A,33,13) IC	SBX3050-01
C 3406	(A,111,31)	CKSSYB104K10	Q 7001	(B,20,12) Transistor	DTC123JU
C 3407	(A,106,32)	CKSSYB104K10	Q 7151	(A,118,14) Transistor	DTC123JU
C 3451	(A,98,13) 10 $\mu$ F	CCG1171	Q 7201	(A,33,19) Transistor	2SC4617
C 3452	(A,98,19)	CKSSYB104K10	Q 7202	(A,26,11) Transistor	2SA1774
C 3501	(A,112,38) 10 $\mu$ F	CCG1171	Q 7203	(A,27,14) Transistor	DTC123JU
C 3502	(A,111,38)	CKSSYB104K10	D 7101	(B,14,16) Diode	EDZ6R8(B)
C 3503	(A,115,50) 10 $\mu$ F	CCG1171	D 7102	(B,8,16) Diode	EDZ6R8(B)
C 3504	(A,115,48) 10 $\mu$ F	CCG1171	D 7151	(A,114,12) Diode	NESW505C-5273
C 3505	(A,115,46) 10 $\mu$ F	CCG1171	D 7207	(A,28,20) LED	CL-196HR-CD(AB)
C 3506	(A,115,44) 10 $\mu$ F	CCG1171	D 7208	(A,28,19) LED	NHSW046-5779
C 3507	(A,111,52) 10 $\mu$ F	CCG1171	D 7251	(A,125,19) LED	NHSW046-5779
C 3508	(A,108,54) 10 $\mu$ F	CCG1171	D 7252	(A,125,5) LED	NHSW046-5779
C 3509	(A,106,53)	CKSSYB104K10	D 7253	(A,28,5) LED	NHSW046-5779
C 3510	(A,104,54) 10 $\mu$ F	CCG1171	D 7271	(A,5,4) LED	NHSW046-5779
C 3511	(A,103,53)	CKSSYB104K10	D 7272	(A,7,22) LED	NHSW046-5779
C 3512	(A,99,51) 10 $\mu$ F	CCG1171	D 7273	(A,18,6) LED	NHSW046-5779
C 3513	(B,114,43) 10 $\mu$ F	CCG1171	D 7274	(A,18,20) LED	NHSW046-5779
C 3514	(B,110,48) 10 $\mu$ F	CCG1171	D 7275	(A,145,22) LED	NHSW046-5779
C 3515	(B,110,46) 10 $\mu$ F	CCG1171	D 7276	(A,146,4) LED	NHSW046-5779
C 3516	(B,110,44) 10 $\mu$ F	CCG1171	D 7277	(A,133,19) LED	NHSW046-5779
C 3517	(A,95,42)	CKSSYB104K10	D 7278	(A,133,6) LED	NHSW046-5779
C 3518	(A,94,40) 10 $\mu$ F	CCG1171	D 7401	(A,36,17) Diode Network	DA204U
C 3519	(A,99,37)	CKSQYB475K6R3	D 7402	(B,110,12) Diode	DAN202U
C 3551	(A,88,52) 10 $\mu$ F	CCG1171	D 7403	(B,113,14) Diode	DAP202U
C 3552	(A,88,50)	CKSRYB102K50	X 7001	(B,116,20) Ceramic Resonator 8.18 MHz	CSS1631
C 3553	(A,94,52) 10 $\mu$ F	CCG1171	S 7101	(A,23,20) Push Switch	CSG1155
C 3555	(A,85,50) 10 $\mu$ F	CCG1171	S 7102	(A,23,6) Push Switch	CSG1155
C 3556	(A,86,52)	CKSSYB103K16	S 7103	(A,120,20) Push Switch	CSG1155
C 3651	(A,60,49)	CKSRYB105K10	S 7104	(A,120,5) Push Switch	CSG1155
C 3652	(A,64,51)	CKSQYB475K6R3	S 7105	(A,11,13) Encoder	CSD1140
C 3653	(A,51,51) 47 $\mu$ F	CCG1230	S 7106	(A,140,13) Switch	CSX1109
C 3661	(A,151,8)	CKSRYB103K50	S 7401	(A,124,13) Push Switch	CSG1155
C 3662	(A,146,13)	CKSRYB105K10	LCD7001	(A,44,4) LCD	CAW1921
C 3663	(A,142,9)	CKSQYB475K6R3	<b>RESISTORS</b>		
C 3664	(A,144,9)	CKSSYB104K10	R 7001	(A,128,15)	RS1/16SS472J
C 3671	(B,126,12)	CKSRYB105K10	R 7002	(A,131,21)	RAB4CQ104J
C 3672	(B,123,26)	CEVLW101M6R3	R 7003	(A,129,20)	RAB4CQ101J
C 3673	(B,126,10)	CKSRYB105K10	R 7004	(B,43,14)	RS1/16S101J
C 3674	(B,126,9)	CKSRYB105K10	R 7005	(A,124,17)	RS1/16SS473J
			R 7006	(B,18,21)	RS1/16S102J

**Circuit Symbol and No.****Part No.****Circuit Symbol and No.****Part No.**

R 7007 (B,20,15) RS1/16S822J  
 R 7008 (A,124,16) RS1/16SS472J  
 R 7009 (B,23,17) RS1/16SS472J  
 A R 7010 (B,115,13) RS1/16SS101J

R 7011 (B,115,11) RS1/16SS101J  
 R 7012 (A,33,5) RS1/16S470J  
 R 7013 (B,117,12) RS1/16SS473J  
 R 7014 (B,29,15) RS1/16S5600D  
 R 7015 (B,29,12) RS1/16S1201D

R 7016 (B,27,12) RS1/16S1501D  
 R 7101 (B,16,8) RS1/16S0R0J  
 R 7102 (B,6,8) RS1/16S0R0J  
 R 7103 (A,117,10) RS1/16SS822J  
 B R 7104 (A,137,5) RS1/16SS122J

R 7105 (A,142,5) RS1/16SS122J  
 R 7106 (A,141,20) RS1/16SS182J  
 R 7107 (A,136,19) RS1/16SS332J  
 R 7108 (A,139,20) RS1/16SS822J  
 R 7151 (B,77,7) RS1/16SS151J

R 7152 (B,79,7) RS1/16SS101J  
 R 7153 (A,118,12) RS1/16SS361J  
 R 7154 (A,120,13) RS1/16SS221J  
 R 7201 (A,31,19) RS1/16SS222J  
 R 7202 (A,33,16) RS1/16SS222J

C R 7203 (A,26,9) RS1/16SS473J  
 R 7204 (A,28,12) RS1/16SS473J  
 R 7205 (A,30,20) RS1/16SS121J  
 R 7206 (A,32,22) RS1/16SS121J  
 R 7207 (A,33,22) RS1/16SS121J

R 7208 (A,35,22) RS1/16SS121J  
 R 7209 (A,35,21) RS1/16SS121J  
 R 7210 (A,27,16) RS1/16SS182J  
 R 7211 (A,26,16) RS1/16SS182J  
 R 7212 (A,25,16) RS1/16SS151J

D R 7251 (A,128,5) RS1/16SS182J  
 R 7252 (A,130,5) RS1/16SS102J  
 R 7253 (A,31,5) RS1/16SS182J  
 R 7254 (A,30,7) RS1/16SS182J  
 R 7255 (A,29,7) RS1/16SS151J

R 7271 (A,18,22) RS1/16SS182J  
 R 7272 (A,11,21) RS1/16SS102J  
 R 7273 (A,19,14) RS1/16SS182J  
 R 7274 (A,19,12) RS1/16SS102J  
 R 7275 (A,133,16) RS1/16SS182J

R 7276 (A,133,14) RS1/16SS102J  
 E R 7277 (A,133,10) RS1/16SS182J  
 R 7278 (A,133,12) RS1/16SS102J  
 R 7401 (B,110,16) RS1/16S221J  
 R 7402 (B,110,14) RS1/16S221J

R 7403 (B,10,9) RS1/16S513J  
 R 7406 (A,117,17) RS1/16S103J  
 R 7407 (B,43,15) RS1/16S101J

**CAPACITORS**

C 7002 (B,17,17) 2.2  $\mu$ F CCG1179  
 C 7004 (A,121,16) CKSSYB104K10  
 F C 7005 (B,117,17) CKSSYB104K10  
 C 7006 (B,113,18) CKSRYB104K10  
 C 7007 (B,116,15) CKSSYB104K10

C 7008 (B,116,14) CKSSYB104K10  
 C 7009 (B,117,13) CKSSYB104K10  
 C 7010 (A,34,9) 10  $\mu$ F CCG1171

**C****Unit Number : CWN1517****Unit Name : Monitor Keyboard Unit****MISCELLANEOUS**

IC 6001 (A,109,4) IC TPS850  
 Q 6001 (A,116,8) Transistor 2SA1774  
 D 6151 (A,20,8) LED NHSW046-5779  
 D 6152 (A,8,8) LED NHSW046-5779  
 D 6153 (A,34,7) LED NHSW046-5779  
 D 6154 (A,130,7) LED NHSW046-5779  
 D 6155 (A,144,8) LED NHSW046-5779  
 D 6156 (A,157,8) LED NHSW046-5779  
 L 6001 (A,99,8) Inductor LCKBW100K2520  
 S 6101 (A,133,4) Push Switch CSG1155  
 S 6102 (A,143,4) Push Switch CSG1155  
 S 6103 (A,156,4) Push Switch CSG1155  
 S 6104 (A,31,4) Push Switch CSG1155  
 S 6105 (A,21,4) Push Switch CSG1155  
 S 6106 (A,8,4) Push Switch CSG1155

**RESISTORS**

R 6001 (A,99,10) RS1/16S104J  
 R 6002 (A,106,8) RS1/16S103J  
 R 6003 (A,114,4) RS1/16S822J  
 R 6004 (A,109,8) RS1/16S0R0J  
 R 6005 (A,112,8) RS1/16S0R0J  
 R 6101 (A,137,7) RS1/16S392J  
 R 6102 (A,148,8) RS1/16S123J  
 R 6103 (A,27,7) RS1/16S202J  
 R 6104 (A,18,9) RS1/16S392J  
 R 6151 (A,11,9) RS1/16S182J  
 R 6152 (A,14,9) RS1/16S102J  
 R 6153 (A,121,10) RS1/16S182J  
 R 6154 (A,119,10) RS1/16S102J  
 R 6155 (A,153,9) RS1/16S182J  
 R 6156 (A,150,9) RS1/16S102J

**CAPACITORS**

C 6001 (A,105,4) CKSRYB104K10  
 C 6002 (A,99,6) 4.7  $\mu$ F CCG1201

**D****Unit Number : CWX3300****Unit Name : DVD Core Unit****MISCELLANEOUS**

IC 1002 (B,79,41) IC S-80859CNNB-B9K  
 IC 1003 (B,89,29) IC BD9851EFV  
 IC 1004 (A,13,67) IC NJM2880U1-05  
 IC 1005 (A,11,39) IC S-L2980A50MC-C7J  
 IC 1201 (A,17,82) IC BD7967EFS  
 IC 1301 (B,29,11) IC TC7SZ125FU  
 IC 1402 (A,75,35) IC CWW1394

<u>Circuit Symbol and No.</u>		<u>Part No.</u>	<u>Circuit Symbol and No.</u>		<u>Part No.</u>
IC 1451	(A,100,29) IC	TC7SZ126FU	EF1401	(A,73,21) EMI Filter	DTL1106
IC 1452	(A,91,32) IC	M5M5V216ATP-70HI	EF1501	(A,62,28) EMI Filter	DTL1106
IC 1481	(B,48,36) IC	EDS1232AATA-75	EF1502	(A,65,28) EMI Filter	DTL1106
IC 1501	(A,45,48) IC	MN2DS09AAUB	EF1901	(A,107,49) EMI Filter	DTF1106
IC 1821	(B,16,47) IC	PCM1753DBQ	EF1902	(B,93,14) EMI Filter	DTL1106
IC 1822	(B,14,41) IC	NJM2140R	EF1903	(B,99,15) EMI Filter	DTL1106
IC 1823	(B,16,36) IC	NJM2100V			
IC 1851	(B,18,19) IC	TC74VHC125FTS1			
<b>RESISTORS</b>					
IC 1852	(B,15,27) IC	TC74VHC125FTS1	R 1001	(B,84,35)	RS1/16SS4702D
IC 1853	(B,29,17) IC	TC7SH08FUS1	R 1002	(B,85,36)	RS1/16SS103J
Q 1002	(B,95,25) FET	RSQ030P03	R 1003	(B,83,33)	RS1/16SS221J
Q 1003	(B,103,24) FET	QS5U27	R 1004	(B,82,31)	RS1/16SS101J
Q 1101	(B,38,106) Transistor	2SB1260	R 1005	(B,87,35)	RS1/16SS153J
Q 1102	(B,38,101) Transistor	2SB1260	R 1007	(B,84,33)	RS1/16SS1002D
Q 1106	(B,32,107) Transistor	2SC4081	R 1008	(B,84,31)	RS1/16SS331J
Q 1107	(B,32,101) Transistor	2SC4081	R 1009	(B,88,33)	RS1/16SS471J
Q 1801	(A,11,47) Transistor	2SA1576	R 1010	(B,85,33)	RS1/16SS472J
Q 1802	(A,14,53) Transistor	2SA1576	R 1011	(B,88,24)	RS1/16SS273J
Q 1803	(A,16,47) Transistor	2SA1576	R 1013	(B,80,31)	RS1/16SS472J
Q 1804	(A,9,53) Transistor	2SA1576	R 1014	(B,79,31)	RS1/16SS2202D
D 1001	(B,104,14) Diode	1SR154-400	R 1015	(B,79,33)	RS1/16SS102J
D 1002	(B,97,28) Diode	RB050L-40	R 1017	(B,66,21)	RS1/10S330J
D 1005	(B,106,45) Diode	1SR154-400	R 1020	(B,78,33)	RS1/16SS101J
D 1301	(B,14,86) LED	CL205IRXTU	R 1021	(B,77,40)	RS1/16SS104J
L 1001	(B,95,33) Inductor	CTF1681	R 1022	(B,93,27)	RS1/16SS100J
L 1002	(B,96,20) Inductor	CTF1677	R 1023	(B,102,21)	RS1/16SS100J
L 1003	(B,105,29) Inductor	CTF1681	R 1024	(B,80,29)	RS1/16SS1002D
L 1004	(A,12,36) Inductor	CTF1472	R 1101	(B,28,105)	RS1/16SS6R8J
L 1005	(A,8,66) Inductor	CTF1465	R 1102	(B,26,106)	RS1/10S1R5J
L 1006	(B,92,22) Inductor	CTF1473	R 1103	(B,23,107)	RS1/10S1R5J
L 1101	(B,20,103) Inductor	CTF1305	R 1104	(B,24,110)	RS1/10S1R5J
L 1401	(A,70,21) Inductor	CTF1464	R 1105	(B,26,108)	RS1/10S1R5J
L 1451	(A,83,25) Inductor	CTF1464	R 1106	(B,28,98)	RS1/16SS6R8J
L 1481	(B,61,27) Inductor	CTF1473	R 1107	(B,26,101)	RS1/10S1R5J
L 1501	(A,62,25) Inductor	CTF1378	R 1108	(B,23,102)	RS1/10S1R5J
L 1502	(A,65,25) Inductor	CTF1558	R 1109	(B,24,105)	RS1/10S1R5J
L 1503	(A,26,42) Inductor	CTF1387	R 1110	(B,26,103)	RS1/10S1R5J
L 1504	(A,26,44) Inductor	CTF1468	R 1114	(B,28,107)	RS1/16SS391J
L 1509	(A,44,32) Inductor	CTF1680	R 1115	(B,28,101)	RS1/16SS391J
L 1601	(B,18,57) Inductor	CTF1473	R 1116	(B,35,106)	RS1/16SS511J
L 1602	(A,21,62) Inductor	CTF1395	R 1117	(B,35,101)	RS1/16SS561J
L 1603	(A,32,69) Inductor	CTF1473	R 1118	(A,50,72)	RS1/16SS104J
L 1604	(A,39,68) Inductor	CTF1473	R 1119	(B,31,96)	RS1/16SS104J
L 1605	(A,44,66) Inductor	CTF1473	R 1120	(B,30,95)	RS1/16SS104J
L 1671	(A,25,48) Inductor	CTF1473	R 1203	(A,27,78)	RS1/16SS2R7J
L 1672	(A,25,50) Inductor	CTF1473	R 1204	(A,27,79)	RS1/16SS2R7J
L 1673	(A,22,56) Inductor	CTF1473	R 1205	(A,27,80)	RS1/16SS2R7J
L 1801	(A,9,43) Inductor	CTF1473	R 1206	(A,27,81)	RS1/16SS2R7J
L 1822	(B,20,43) Inductor	CTF1473	R 1207	(A,23,89)	RS1/16SS221J
L 1851	(B,21,27) Inductor	CTF1473	R 1208	(A,21,89)	RS1/16SS221J
L 1852	(B,20,14) Inductor	CTF1381	R 1213	(A,27,82)	RS1/16SS2R7J
L 1853	(B,16,14) Inductor	CTF1467	R 1214	(A,27,75)	RS1/16SS151J
L 1854	(B,10,26) Inductor	CTF1467	R 1215	(A,27,83)	RS1/16SS2R7J
L 1855	(B,18,23) Inductor	CTF1467	R 1216	(A,27,77)	RS1/16SS2R7J
L 1856	(B,15,22) Inductor	CTF1467	R 1217	(A,24,89)	RS1/16SS103J
L 1901	(A,110,48) Inductor	CTF1487	R 1219	(A,29,83)	RS1/16SS2R7J
L 1902	(B,99,12) Inductor	CTF1558	R 1220	(A,13,91)	RS1/16SS1R0J
L 1903	(B,96,14) Inductor	CTF1468	R 1221	(A,13,92)	RS1/16SS1R0J
X 1501	(B,31,51) Resonator 27.000 MHz	CSS1697	R 1222	(A,30,83)	RS1/16SS2R7J
VR1671	(A,21,51) Semi-fixed 10 kΩ(B)	CCP1448			

**Circuit Symbol and No.****Part No.****Circuit Symbol and No.****Part No.**

R	1223	(A,13,88)	RS1/16SS1R0J	R	1550	(A,48,68)	RS1/16SS104J	
R	1224	(A,13,90)	RS1/16SS1R0J	R	1551	(A,48,70)	RS1/16SS104J	
R	1225	(A,25,89)	RS1/16SS273J	R	1552	(A,52,67)	RS1/16SS102J	
A	R	1249	(A,29,86)	RS1/16SS151J	R	1553	(A,51,67)	RS1/16SS472J
R	1301	(B,18,86)	RS1/16SS391J	R	1554	(A,45,66)	RS1/16SS103J	
R	1302	(B,18,84)	RS1/16SS471J	R	1555	(A,46,66)	RS1/16SS103J	
R	1304	(B,28,7)	RS1/16SS563J	R	1556	(A,47,66)	RS1/16SS102J	
R	1305	(B,28,8)	RS1/16SS243J	R	1558	(A,50,71)	RS1/16SS104J	
R	1306	(B,28,13)	RS1/16SS683J	R	1559	(A,50,70)	RS1/16SS473J	
R	1307	(B,28,10)	RS1/16SS243J	R	1562	(A,56,68)	RS1/16SS104J	
R	1308	(B,30,7)	RS1/16SS822J	R	1564	(A,58,70)	RS1/16SS104J	
R	1309	(B,30,8)	RS1/16SS822J	R	1565	(A,53,65)	RS1/16SS104J	
R	1310	(B,30,13)	RS1/16SS822J	R	1566	(A,54,67)	RS1/16SS104J	
R	1311	(B,30,10)	RS1/16SS822J	R	1568	(A,54,65)	RS1/16SS104J	
B	R	1404	(A,74,23)	RS1/16SS104J	R	1569	(A,55,67)	RS1/16SS104J
R	1405	(A,71,23)	RS1/16SS104J	R	1570	(A,60,67)	RS1/16SS221J	
R	1406	(A,72,47)	RS1/16SS221J	R	1572	(A,50,67)	RS1/16SS104J	
R	1451	(A,101,32)	RS1/16SS101J	R	1573	(A,49,66)	RS1/16SS221J	
R	1452	(A,101,33)	RS1/16SS104J	R	1574	(A,54,70)	RS1/16SS221J	
R	1453	(A,99,25)	RS1/16SS221J	R	1575	(A,56,72)	RS1/16SS104J	
R	1501	(B,39,45)	RAB4CQ560J	R	1577	(A,57,72)	RS1/16SS221J	
R	1502	(A,35,32)	RAB4CQ560J	R	1578	(A,60,70)	RS1/16SS221J	
R	1503	(B,44,45)	RS1/16SS560J	R	1579	(A,60,68)	RS1/16SS104J	
R	1504	(A,43,30)	RS1/16SS560J	R	1580	(A,58,68)	RS1/16SS221J	
C	R	1505	(B,42,45)	RAB4CQ560J	R	1581	(A,54,69)	RS1/16SS104J
R	1506	(A,40,30)	RAB4CQ560J	R	1601	(A,25,55)	RS1/16SS822J	
R	1507	(B,46,44)	RAB4CQ560J	R	1603	(A,27,56)	RS1/16SS272J	
R	1508	(A,50,30)	RAB4CQ560J	R	1607	(B,19,59)	RS1/16SS223J	
R	1510	(A,54,30)	RAB4CQ560J	R	1609	(B,21,59)	RS1/16SS222J	
R	1511	(A,47,31)	RAB4CQ560J	R	1610	(B,21,56)	RS1/16SS105J	
R	1512	(B,49,44)	RAB4CQ560J	R	1611	(B,22,57)	RS1/16SS0R0J	
R	1513	(B,53,44)	RAB4CQ560J	R	1612	(B,19,58)	RN1/16SE1002D	
R	1515	(A,52,65)	RS1/16SS104J	R	1627	(B,27,60)	RS1/16SS0R0J	
R	1516	(A,50,69)	RS1/16SS104J	R	1628	(A,32,67)	RS1/16SS105J	
R	1517	(A,26,28)	RS1/16SS0R0J	R	1629	(A,31,67)	RS1/16SS105J	
D	R	1518	(A,57,32)	RAB4CQ560J	R	1671	(A,21,49)	RS1/16SS562J
R	1519	(B,61,33)	RAB4CQ560J	R	1672	(A,28,51)	RS1/16SS153J	
R	1520	(A,26,37)	RS1/16SS102J	R	1674	(A,21,54)	RS1/16SS183J	
R	1521	(A,28,37)	RS1/16SS102J	R	1676	(A,23,49)	RS1/16SS101J	
R	1522	(B,28,41)	RS1/16SS101J	R	1801	(A,11,50)	RS1/16SS101J	
R	1523	(A,24,42)	RS1/16SS221J	R	1802	(A,14,55)	RS1/16SS101J	
R	1524	(B,27,43)	RS1/16SS101J	R	1803	(A,8,46)	RS1/16SS331J	
R	1525	(A,63,39)	RAB4CQ560J	R	1804	(A,11,52)	RS1/16SS331J	
R	1526	(B,27,41)	RS1/16SS101J	R	1805	(A,8,48)	RS1/16SS331J	
R	1527	(B,26,46)	RS1/16SS101J	R	1806	(A,11,53)	RS1/16SS331J	
R	1528	(B,30,45)	RS1/16SS101J	R	1807	(A,9,48)	RS1/16SS68R0D	
R	1529	(B,26,45)	RS1/16SS101J	R	1808	(A,12,53)	RS1/16SS68R0D	
R	1530	(A,24,44)	RS1/16SS270J	R	1809	(A,9,46)	RS1/16SS2R2J	
R	1531	(A,28,48)	RS1/16SS105J	R	1810	(A,12,52)	RS1/16SS0R0J	
R	1532	(B,28,49)	RS1/16SS102J	R	1811	(A,16,50)	RS1/16SS101J	
R	1533	(A,64,42)	RAB4CQ101J	R	1812	(A,9,55)	RS1/16SS101J	
R	1534	(A,64,45)	RAB4CQ101J	R	1813	(A,13,46)	RS1/16SS331J	
R	1535	(A,64,48)	RAB4CQ101J	R	1814	(A,6,52)	RS1/16SS331J	
R	1536	(A,64,51)	RAB4CQ101J	R	1815	(A,13,48)	RS1/16SS331J	
R	1538	(A,61,52)	RS1/16SS103J	R	1816	(A,6,53)	RS1/16SS331J	
R	1539	(A,64,53)	RS1/16SS103J	R	1817	(A,14,48)	RS1/16SS68R0D	
R	1540	(A,63,54)	RS1/16SS103J	R	1818	(A,7,53)	RS1/16SS68R0D	
R	1546	(A,63,58)	RS1/16SS103J	R	1819	(A,14,46)	RS1/16SS1R5J	
R	1548	(A,61,58)	RS1/16SS103J	R	1820	(A,7,52)	RS1/16SS0R0J	
R	1549	(A,47,70)	RS1/16SS104J	R	1827	(B,21,40)	RS1/16SS182J	

<u>Circuit Symbol and No.</u>		<u>Part No.</u>	<u>Circuit Symbol and No.</u>		<u>Part No.</u>
R 1828	(B,16,38)	RS1/16SS182J	C 1104	(B,43,105)	CKSSYB103K16
R 1829	(B,19,39)	RS1/16SS222J	C 1105	(B,31,98)	CSZSR101M6R3
R 1830	(B,11,38)	RS1/16SS222J	C 1106	(B,28,100)	CKSSYB104K10
R 1831	(B,22,37)	RS1/16SS272J			
			C 1107	(B,43,100)	CKSSYB103K16
R 1832	(B,14,38)	RS1/16SS272J	C 1111	(A,34,106)	CKSSYB103K16
R 1833	(B,21,37)	RS1/16SS272J	C 1112	(A,26,108)	CKSRYB105K10
R 1834	(B,12,38)	RS1/16SS272J	C 1113	(A,26,110)	CKSRYB105K10
R 1835	(B,11,35)	RS1/16SS103J	C 1114	(A,34,107)	CKSSYB103K16
R 1836	(B,12,35)	RS1/16SS472J			
			C 1202	(A,29,81)	CKSSYB104K10
R 1837	(B,18,39)	RS1/16SS103J	C 1203	(A,12,76)	CKSSYB471K50
R 1838	(B,21,35)	RS1/16SS472J	C 1204	(A,27,88)	CKSQYB225K10
R 1840	(B,23,35)	RS1/16SS821J	C 1206	(A,22,89)	CKSSYB104K10
R 1841	(B,14,32)	RS1/16SS821J	C 1207	(B,15,77)	CEVW101M16
R 1842	(B,57,10)	RS1/16SS104J			
			C 1208	(A,10,89)	CKSSYB223K16
R 1843	(B,55,10)	RS1/16SS104J	C 1209	(A,9,88)	CKSSYB102K50
R 1851	(B,28,19)	RS1/16SS221J	C 1210	(A,12,89)	CKSSYB104K10
R 1854	(B,25,41)	RS1/16SS101J	C 1211	(A,31,79)	CKSYB475K16
R 1860	(B,19,28)	RS1/16S560J	C 1301	(B,27,11)	CKSSYB104K10
R 1863	(B,29,19)	RS1/16SS104J			
			C 1302	(B,31,15)	CKSSYB104K10
R 1864	(B,31,17)	RS1/16SS104J	C 1401	(A,76,23)	CKSSYB104K10
R 1866	(B,33,45)	RS1/16SS0R0J	C 1402	(A,76,22)	CKSQYB475K6R3
R 1867	(B,25,45)	RS1/16SS0R0J	C 1403	(A,72,46)	CKSSYB103K16
R 1868	(B,26,43)	RS1/16SS0R0J	C 1451	(A,99,32)	CKSSYB104K10
R 1903	(A,82,8)	RS1/16SS0R0J			
			C 1452	(A,98,32)	CKSSYB104K10
R 1904	(B,97,11)	RS1/16SS1R0J	C 1453	(A,83,32)	CKSSYB104K10
			C 1454	(A,83,28)	CKSQYB475K6R3
			C 1456	(A,99,27)	CKSSYB103K16
			C 1481	(B,38,43)	CKSSYB104K10

**CAPACITORS**

C 1001	(B,90,35)	CKSRYB103K50	C 1482	(B,36,43)	CKSSYB104K10
C 1002	(B,99,38) 10 $\mu$ F	CCG1171	C 1483	(B,41,43)	CKSSYB104K10
C 1003	(B,83,31)	CKSSYB103K16	C 1484	(B,44,43)	CKSSYB104K10
C 1004	(B,99,34) 10 $\mu$ F	CCG1171	C 1485	(B,51,44)	CKSSYB104K10
C 1005	(B,101,34) 10 $\mu$ F	CCG1171	C 1486	(B,56,43)	CKSSYB104K10
C 1006	(B,89,33)	CKSSYB223K16	C 1487	(B,58,43)	CKSSYB104K10
C 1007	(B,87,33)	CCSSCH820J50	C 1488	(B,59,43)	CKSSYB104K10
C 1008	(B,86,24)	CKSSYB104K10	C 1489	(B,61,28) 10 $\mu$ F	CCG1171
C 1009	(A,17,69)	CKSSYB103K16	C 1490	(B,39,29)	CKSSYB104K10
C 1010	(A,10,65)	CKSSYB104K10	C 1491	(B,42,29)	CKSSYB104K10
C 1011	(A,9,68)	CKSQYB475K10	C 1492	(B,53,29)	CKSSYB104K10
C 1012	(B,24,34)	CKSSYB104K10	C 1493	(B,56,29)	CKSSYB104K10
C 1013	(A,10,35)	CKSRYB105K10	C 1501	(A,61,30) 10 $\mu$ F	CCG1171
C 1014	(A,11,42)	CKSRYB105K10	C 1502	(A,66,30) 10 $\mu$ F	CCG1171
C 1015	(B,92,24)	CKSSYB104K10	C 1503	(A,33,31)	CKSSYB104K10
C 1016	(B,91,33)	CKSSYB104K10	C 1504	(A,37,32)	CKSSYB104K10
C 1017	(A,13,42)	CCSSCH101J50	C 1505	(A,40,32)	CKSSYB104K10
C 1018	(B,98,25) 10 $\mu$ F	CCG1192	C 1506	(A,42,32)	CKSSYB104K10
C 1019	(B,89,24)	CKSSYB102K50	C 1507	(A,45,32)	CKSSYB104K10
C 1020	(B,101,38) 10 $\mu$ F	CCG1171	C 1508	(A,48,32)	CKSSYB104K10
C 1021	(B,100,25) 10 $\mu$ F	CCG1192	C 1509	(A,50,32)	CKSSYB104K10
C 1022	(B,86,23)	CKSRYB105K10	C 1510	(A,54,32)	CKSSYB104K10
C 1023	(B,105,36) 10 $\mu$ F	CCG1171	C 1511	(A,28,39)	CKSSYB104K10
C 1024	(B,80,33)	CKSSYB102K50	C 1512	(A,62,37)	CKSSYB104K10
C 1025	(B,105,34) 10 $\mu$ F	CCG1171	C 1513	(A,61,39)	CKSSYB104K10
C 1026	(B,86,21)	CKSRYB472K50	C 1514	(A,28,43)	CKSSYB104K10
C 1027	(B,90,23)	CKSRYB474K10	C 1515	(A,61,42)	CKSSYB104K10
C 1029	(B,82,35)	CKSSYB104K10	C 1516	(A,61,44)	CKSSYB104K10
C 1030	(B,75,31)	CKSSYB104K10	C 1517	(A,28,46)	CKSSYB104K10
C 1101	(B,20,106) 10 $\mu$ F	CCG1192	C 1518	(B,28,51)	CCSSCH8R0D50
C 1102	(B,31,104)	CSZSR101M6R3	C 1519	(B,28,53)	CCSSCH7R0D50
C 1103	(B,28,106)	CKSSYB104K10	C 1520	(A,62,49)	CKSSYB104K10

**Circuit Symbol and No.****Part No.****Circuit Symbol and No.****Part No.**

C 1521 (A,61,53) CKSSYB104K10  
 C 1522 (A,61,57) CKSSYB104K10  
 C 1523 (A,45,65) CKSSYB104K10

C 1832 (B,19,38) CKSSYB471K50  
 C 1833 (B,18,33) CKSQYB225K10  
 C 1834 (B,56,16) CKSSYB471K50

CKSSYB471K50  
 CKSQYB225K10  
 CKSSYB471K50

C 1524 (A,55,72) CKSSYB103K16  
 C 1525 (A,50,65) CKSSYB104K10  
 C 1526 (A,59,68) CKSSYB471K50  
 C 1527 (A,56,65) CKSSYB104K10  
 C 1528 (A,45,68) CKSSYB104K10

C 1835 (B,55,16) CKSSYB471K50  
 C 1836 (B,57,13) CKSQYB475K6R3  
 C 1837 (B,55,13) CKSQYB475K6R3  
 C 1851 (B,22,22) CKSSYB104K10  
 C 1852 (B,21,25) CKSSYB104K10

CKSSYB471K50  
 CKSQYB475K6R3  
 CKSQYB475K6R3  
 CKSSYB104K10  
 CKSSYB104K10

C 1529 (A,46,68) CKSSYB104K10  
 C 1530 (A,47,68) CKSSYB104K10  
 C 1532 (A,57,68) CKSSYB103K16  
 C 1601 (A,26,54) CCSSCH101J50  
 C 1602 (A,26,56) CCSSCH101J50

C 1901 (A,105,48) CKSSYB102K50  
 C 1933 (A,80,14) CKSSYB104K10  
 C 1935 (A,80,12) CKSSYB102K50

CKSSYB102K50  
 CKSSYB104K10  
 CKSSYB102K50

C 1603 (A,24,56) CCSSCH101J50  
 C 1604 (A,26,57) CCSSCH221J50  
 C 1608 (B,24,56) CKSSYB103K16  
 C 1609 (B,22,58) CKSSYB103K16  
 C 1610 (A,28,55) CKSSYB104K10

**E****Unit Number : CWX3154****Unit Name : Compound Unit(A)**

Q 1299 Photo-taransistor CPT231SCTD  
 S 1201 Spring Switch(12cm) CSN1069  
 S 1202 Spring Switch(8cm) CSN1069  
 S 1203 Spring Switch(DISC SENS) CSN1069  
 S 1204 Spring Switch(DISC SENS) CSN1070

S 1205 Spring Switch(8cm) CSN1070  
 R 1298 RS1/16S0R0J  
 R 1299 RS1/16S0R0J

C 1611 (A,30,69) CKSRYB105K10  
 C 1612 (A,30,63) CKSRYB105K10  
 C 1613 (A,34,65) CKSSYB104K10  
 C 1614 (A,35,65) CKSSYB104K10  
 C 1615 (A,33,68) CKSSYB104K10

**F****Unit Number : CWX3394****Unit Name : Compound Unit(B)**

S 1206 Switch(CLAMP) CSN1067

C 1616 (A,34,68) CKSSYB104K10  
 C 1617 (A,35,68) CKSSYB104K10  
 C 1618 (A,36,68) CKSSYB104K10  
 C 1619 (A,38,65) CKSSYB104K10  
 C 1620 (A,38,67) CKSSYB104K10

C 1621 (A,40,65) CCSSCH101J50  
 C 1622 (A,40,67) CKSSYB562K25  
 C 1623 (A,41,67) CKSSYB104K10  
 C 1624 (A,41,65) CKSSYB104K10  
 C 1625 (A,42,67) CKSSYB333K16

**G****Unit Number : CWN1505****Unit Name : Monitor Unit****MISCELLANEOUS**

IC 4001 (A,42,87) IC PE5534A  
 IC 4002 (A,61,111) IC S-80830CNNB-B8P  
 IC 4004 (A,55,115) IC S-93C56BD01-I8  
 IC 4101 (A,18,84) IC PEH023A  
 IC 4201 (A,34,27) IC EDS2532AABH-6B

IC 4301 (A,32,56) IC AX51902A  
 IC 4302 (A,14,61) IC TC7SHU04FUS1  
 IC 5001 (A,136,52) IC S-1132B25-U5  
 IC 5002 (A,121,92) IC S-1132B15-U5  
 IC 5003 (A,54,110) IC PQ1M255M2SPQ

IC 5004 (A,135,40) IC PQ035ZN01ZPH  
 IC 5005 (A,144,43) IC BA00CC0WFP  
 IC 5006 (A,136,83) IC BD6171KV  
 IC 5102 (A,94,76) IC TC90A96BFG  
 IC 5201 (A,60,76) IC NJW5210RB1

IC 5202 (A,112,96) IC TC7SET04FUS1  
 IC 5203 (A,68,78) IC NJM2100V  
 IC 5204 (A,74,90) IC TC7S66FU  
 IC 5205 (A,68,86) IC NJM082BV  
 IC 5301 (A,121,101) IC TC7SET04FUS1

IC 5302 (A,117,108) IC TC74VHC04FTS1  
 IC 5402 (A,59,57) IC TC7SHU04FUS1

C 1626 (A,39,65) CKSSYB104K10  
 C 1627 (A,43,65) CKSSYB104K10  
 C 1628 (A,18,62) 10  $\mu$ F CCG1171  
 C 1629 (A,33,66) CKSSYB104K10  
 C 1634 (B,24,60) CKSSYB103K16

C 1671 (A,27,48) CKSSYB104K10  
 C 1672 (A,28,50) CKSSYB104K10  
 C 1673 (A,28,52) CKSSYB104K10  
 C 1674 (A,25,51) CKSRYB105K10  
 C 1675 (A,23,54) CKSSYB104K10

C 1676 (A,25,52) CKSRYB105K10  
 C 1677 (A,28,53) CKSSYB104K10  
 C 1801 (A,6,43) CKSQYB225K10  
 C 1802 (A,16,52) CKSSYB102K50  
 C 1803 (A,7,45) CKSSYB102K50

C 1804 (A,10,51) CKSSYB102K50  
 C 1807 (A,12,45) CKSSYB102K50  
 C 1808 (A,5,51) CKSSYB102K50  
 C 1821 (B,22,49) CKSSYB104K10  
 C 1824 (B,12,43) 10  $\mu$ F CCG1192

C 1825 (B,12,45) CKSSYB104K10  
 C 1826 (B,17,41) CKSSYB104K10  
 C 1827 (B,19,42) 10  $\mu$ F CCG1192  
 C 1828 (B,17,44) CKSSYB104K10  
 C 1829 (B,22,35) CKSSYB471K50

C 1830 (B,12,33) CKSSYB471K50  
 C 1831 (B,11,37) CKSSYB471K50

<u>Circuit Symbol and No.</u>		<u>Part No.</u>	<u>Circuit Symbol and No.</u>		<u>Part No.</u>
IC 5403	(A,64,67) IC	PE1023A	L 4005	(A,56,98) Inductor	CTF1473
IC 5501	(A,76,35) IC	TA78L05F	L 4006	(A,46,102) Inductor	CTF1473
IC 5502	(A,70,26) IC	TC7SET08FUS1	L 4007	(A,21,108) Inductor	CTF1306
IC 5503	(A,73,17) IC	OZ9611SN	L 4008	(A,60,115) Inductor	CTF1306
IC 5504	(A,86,7) FET	SI6544DQ	L 4101	(A,22,107) Inductor	CTF1473
IC 5505	(A,84,14) FET	SI6544DQ	L 4301	(A,51,51) Inductor	CTF1473
Q 4001	(A,28,99) Transistor	DTC124EUA	L 4302	(A,49,64) Inductor	CTF1473
Q 4701	(A,42,115) Transistor	FMG12	L 4303	(A,49,56) Inductor	CTF1473
Q 4702	(A,43,118) Transistor	UMF5N	L 4304	(A,48,40) Inductor	CTF1473
Q 4703	(A,48,114) Transistor	UMF5N	L 4305	(A,47,62) Inductor	VTL1127
Q 5001	(A,146,71) FET	RSQ035P03	L 4306	(A,15,47) Inductor	CTF1473
Q 5002	(A,127,70) FET	RSQ035P03	L 4307	(A,13,64) Inductor	CTF1473
Q 5004	(A,126,89) Transistor	2SA1577	L 4308	(A,14,52) Inductor	CTF1639
Q 5005	(A,132,93) Transistor	2SC4097	L 4309	(A,14,67) Inductor	CTF1473
Q 5101	(A,90,54) Transistor	2SC4617	L 4310	(A,52,40) Inductor	CTF1395
Q 5201	(A,62,94) Transistor	2SA1774	L 4701	(A,51,114) Inductor	CTF1473
Q 5202	(A,64,92) Transistor	2SC4617	L 4702	(A,30,104) Ferrite Bead	CTF1528
Q 5203	(A,64,97) Transistor	2SA1774	L 4703	(A,31,104) Ferrite Bead	CTF1528
Q 5204	(A,61,99) Transistor	2SC4617	L 4704	(A,32,104) Ferrite Bead	CTF1528
Q 5501	(A,65,22) Transistor	2SC4617	L 4705	(A,33,104) Ferrite Bead	CTF1528
Q 5502	(A,67,21) Transistor	2SC4617	L 5002	(A,148,57) Choke Coil 10 $\mu$ H	CTH1249
Q 5503	(A,64,18) Transistor	2SA1774	L 5003	(A,148,65) Choke Coil 18 $\mu$ H	CTH1250
Q 5505	(A,47,18) Transistor	2SC4617	L 5004	(A,136,62) Inductor	CTF1488
Q 5506	(A,47,15) Transistor	2SC4617	L 5005	(A,130,61) Choke Coil 68 $\mu$ H	CTH1318
Q 5507	(A,43,15) Transistor	UMX2N	L 5007	(A,123,78) Inductor	DTL1096
D 4001	(A,61,107) Diode	1SS355	L 5101	(A,94,56) Inductor	CTF1306
D 4501	(B,97,8) LED	NHSW046-5779	L 5102	(A,82,59) Inductor	CTF1306
D 4502	(B,110,8) LED	NHSW046-5779	L 5103	(A,79,59) Inductor	CTF1306
D 4503	(B,123,8) LED	NHSW046-5779	L 5104	(A,81,59) Inductor	CTF1306
D 4701	(A,46,115) Diode	1SS355	L 5105	(A,99,59) Inductor	CTF1306
D 4702	(A,39,110) Diode	UDZS5R6(B)	L 5106	(A,107,61) Inductor	CTF1306
D 4703	(A,41,110) Diode	UDZS5R6(B)	L 5107	(A,78,65) Inductor	CTF1306
D 4704	(A,43,110) Diode	UDZS5R6(B)	L 5108	(A,110,64) Inductor	CTF1306
D 4705	(A,45,110) Diode	UDZS5R6(B)	L 5109	(A,111,68) Inductor	CTF1306
D 5001	(A,137,49) Diode	RB500V-40	L 5110	(A,111,69) Inductor	CTF1306
D 5002	(A,122,98) Diode	RB500V-40	L 5111	(A,78,72) Inductor	CTF1306
D 5003	(A,141,65) Diode	RB160M-30	L 5112	(A,111,72) Inductor	CTF1306
D 5004	(A,128,66) Diode	RB160M-30	L 5113	(A,111,71) Inductor	CTF1306
D 5005	(A,126,95) Diode	RB548W	L 5114	(A,111,74) Inductor	CTF1306
D 5006	(A,128,95) Diode	RB548W	L 5115	(A,78,75) Inductor	CTF1306
D 5007	(A,131,95) Diode	RB548W	L 5116	(A,111,75) Inductor	CTF1306
D 5008	(A,126,79) Diode	RB548W	L 5117	(A,78,78) Inductor	CTF1306
D 5009	(A,126,77) Diode	RB548W	L 5118	(A,111,79) Inductor	CTF1306
D 5010	(A,142,97) Diode	RB500V-40	L 5119	(A,111,81) Inductor	CTF1306
D 5011	(A,149,97) Diode	RB500V-40	L 5120	(A,78,81) Inductor	CTF1306
D 5012	(A,140,97) Diode	RB500V-40	L 5121	(A,77,83) Inductor	CTF1306
D 5013	(A,147,97) Diode	RB500V-40	L 5122	(A,112,83) Inductor	CTF1306
D 5501	(A,64,25) Diode	UDZS6R2(B)	L 5123	(A,111,86) Inductor	CTF1306
D 5502	(A,61,21) Diode	1SS355	L 5124	(A,111,88) Inductor	CTF1306
D 5503	(A,74,28) Diode	RB751V-40	L 5125	(A,78,86) Inductor	CTF1306
D 5504	(A,82,9) Diode	HZU6R2(B3)	L 5126	(A,111,89) Inductor	CTF1306
D 5505	(A,80,22) Diode	HZU6R2(B3)	L 5127	(A,104,93) Inductor	VTL1133
D 5506	(A,50,19) Diode	UDZS8R2(B)	L 5128	(A,107,93) Inductor	VTL1133
D 5507	(A,53,12) Diode	MA143	L 5129	(A,107,91) Inductor	VTL1133
D 5508	(A,47,12) Diode	MA143	L 5130	(A,86,94) Inductor	VTL1133
D 5509	(A,55,14) Diode	HZU6R2(B3)	L 5131	(A,88,94) Inductor	VTL1133
L 4001	(A,43,74) Inductor	CTF1473	L 5132	(A,90,94) Inductor	VTL1133
L 4002	(A,46,106) Inductor	CTF1473	L 5133	(A,91,94) Inductor	VTL1133
L 4003	(A,27,91) Inductor	CTF1473	L 5134	(A,94,94) Inductor	VTL1133
L 4004	(A,57,93) Inductor	CTF1473	L 5135	(A,100,94) Inductor	VTL1133

**Circuit Symbol and No.****Part No.****Circuit Symbol and No.****Part No.**

L 5136 (A,102,94) Inductor  
L 5137 (A,103,94) Inductor  
L 5138 (A,105,92) Inductor

VTL1133  
VTL1126  
CTF1386

FB4206 (A,29,23) Inductor  
FB5303 (A,67,95) Inductor  
FB5301 (A,79,92) Inductor

CTF1639  
CTF1635  
CTF1635

A

L 5139 (A,108,93) Inductor  
L 5140 (A,108,91) Inductor  
L 5141 (A,85,94) Inductor  
L 5142 (A,87,94) Inductor  
L 5143 (A,89,94) Inductor

VTL1133  
CTF1547  
VTL1133  
VTL1133  
VTL1133

FB5001 (A,143,94) Inductor  
FB5003 (A,137,96) Inductor  
FB5302 (A,113,104) Inductor  
FB5002 (A,125,56) Inductor  
EF4201 (A,50,36) EMI Filter

CTF1635  
CTF1635  
CTF1635  
CTF1635  
DTL1106

L 5144 (A,93,94) Inductor  
L 5145 (A,96,94) Inductor  
L 5146 (A,98,94) Inductor  
L 5147 (A,101,94) Inductor  
L 5148 (A,92,94) Inductor

VTL1133  
VTL1133  
VTL1133  
VTL1133  
VTL1133

EF4301 (A,52,47) EMI Filter

DTL1106

**RESISTORS**

L 5149 (A,95,94) Inductor  
L 5150 (A,97,94) Inductor  
L 5151 (A,99,94) Inductor  
L 5152 (A,95,92) Inductor  
L 5153 (A,99,92) Inductor

VTL1133  
VTL1133  
VTL1133  
CTF1306  
CTF1306

R 4001 (A,55,75)  
R 4002 (A,57,73)  
R 4003 (A,55,74)  
R 4004 (A,57,71)  
R 4007 (A,53,73)

RS1/16SS473J  
RS1/16SS473J  
RS1/16SS473J  
RS1/16SS473J  
RS1/16SS471J

B

L 5154 (A,102,92) Inductor  
L 5155 (A,89,92) Inductor  
L 5156 (A,92,92) Inductor  
L 5157 (A,83,92) Inductor  
L 5158 (A,86,92) Inductor

CTF1306  
CTF1306  
CTF1306  
CTF1306  
CTF1306

R 4008 (A,55,76)  
R 4009 (A,58,79)  
R 4010 (A,53,72)  
R 4011 (A,55,72)  
R 4012 (A,55,73)

RS1/16SS473J  
RS1/16SS471J  
RS1/16SS471J  
RS1/16SS470J  
RS1/16SS470J

C

L 5163 (A,88,51) Inductor  
L 5165 (A,91,50) Inductor  
L 5167 (A,111,66)  
L 5170 (A,80,54) Inductor  
L 5171 (A,114,94) Inductor

CTF1306  
LCTAW220J2520  
VTL1127  
CTF1635  
CTF1635

R 4013 (A,53,75)  
R 4014 (A,53,76)  
R 4015 (A,53,74)  
R 4017 (A,28,77)  
R 4018 (A,56,80)

RS1/16SS470J  
RS1/16SS470J  
RS1/16SS470J  
RAB4CQ221J  
RS1/16SS470J

L 5172 (A,87,47) Inductor  
L 5173 (A,113,58) Inductor  
L 5174 (A,114,65) Inductor  
L 5175 (A,115,89) Inductor  
L 5201 (A,113,99) Inductor

CTF1635  
CTF1635  
CTF1635  
CTF1635  
CTF1306

R 4019 (A,56,81)  
R 4020 (A,58,80)  
R 4021 (A,28,80)  
R 4022 (A,56,82)  
R 4023 (A,56,83)

RS1/16SS471J  
RS1/16SS470J  
RAB4CQ221J  
RS1/16SS471J  
RS1/16SS470J

D

L 5202 (A,62,84) Inductor  
L 5203 (A,78,89) Inductor  
L 5204 (A,76,92) Inductor  
L 5301 (A,122,110) Inductor  
L 5302 (A,73,95) Inductor

LCKAW101J2520  
LCKAW101J2520  
CTF1306  
CTF1306  
DTL1096

R 4024 (A,58,82)  
R 4025 (A,28,84)  
R 4026 (A,56,85)  
R 4027 (A,56,86)  
R 4028 (A,28,87)

RS1/16SS470J  
RAB4CQ221J  
RS1/16SS221J  
RS1/16SS221J  
RAB4CQ221J

L 5303 (A,111,109) Inductor  
L 5304 (A,75,97) Inductor  
L 5402 (A,73,61) Inductor  
L 5403 (A,62,55) Inductor  
L 5404 (A,58,65) Inductor

CTF1306  
DTL1096  
CTF1473  
CTF1473  
VTL1127

R 4029 (A,56,87)  
R 4030 (A,58,86)  
R 4031 (A,59,86)  
R 4032 (A,29,91)  
R 4033 (A,61,108)

RS1/16SS473J  
RS1/16SS220J  
RS1/16SS220J  
RAB4CQ221J  
RS1/16SS124J

E

T 5501 (B,70,10) Transformer CTT1130  
TH4001 (A,56,100) Thermistor CCX1063  
X 4001 (A,57,89) Radiator 8.0 MHz CSS1675  
X 4301 (A,14,57) Radiator 24.800 MHz CSS1700  
X 5101 (A,86,57) Crystal Resonator 42 MHz CSS1604

CTF1306  
DTL1096  
CTF1473  
CTF1473  
VTL1127

R 4034 (A,28,94)  
R 4035 (A,58,92)  
R 4036 (A,58,93)  
R 4037 (A,55,93)  
R 4038 (A,28,97)

RAB4CQ221J  
RS1/16SS473J  
RS1/16SS473J  
RS1/16SS102J  
RS1/16SS151J

X 5401 (A,55,57) Radiator 33.231 MHz CSS1702  
S 4501 (B,97,12) Push Switch CSG1155  
S 4502 (B,110,12) Push Switch CSG1155  
S 4503 (B,123,12) Push Switch CSG1155  
VR5501 (A,76,24) Semi-fixed 15 kΩ(B) CCP1490

CTF1306  
DTL1096  
CTF1473  
CTF1473  
VTL1127

R 4039 (A,34,104)  
R 4040 (A,53,102)  
R 4041 (A,45,102)  
R 4042 (A,42,102)  
R 4043 (A,43,100)

RS1/16SS473J  
RS1/16SS102J  
RS1/16SS473J  
RS1/16SS473J  
RS1/16SS473J

△FU5001 (A,135,57) Fuse 750 mA CEK1279  
△FU5501 (A,87,38) Fuse 1.75 A CEK1283  
FB4201 (A,36,35) Inductor CTF1639  
FB4202 (A,29,29) Inductor CTF1639  
FB4204 (A,40,32) Inductor CTF1639

CTF1306  
DTL1096  
CTF1473  
CTF1473  
VTL1127

R 4044 (A,31,101)  
R 4045 (A,32,101)  
R 4046 (A,34,101)  
R 4047 (A,35,101)  
R 4048 (A,36,101)

RS1/16SS221J  
RS1/16SS221J  
RS1/16SS471J  
RS1/16SS151J  
RS1/16SS151J

F

FB4205 (A,40,23) Inductor CTF1639  
FB4203 (A,29,26) Inductor CTF1639

CTF1306  
DTL1096

R 4049 (A,37,103)  
R 4050 (A,57,96)  
R 4053 (A,24,113)

RS1/16SS473J  
RS1/16SS473J  
RS1/16SS103J

<u>Circuit Symbol and No.</u>		<u>Part No.</u>	<u>Circuit Symbol and No.</u>		<u>Part No.</u>
R 4054	(A,39,100)	RS1/16SS101J	R 4305	(A,47,57)	RAB4CQ151J
R 4055	(A,40,102)	RS1/16SS151J	R 4306	(A,52,66)	RAB4CQ151J
R 4056	(A,40,100)	RS1/16SS471J	R 4307	(A,47,60)	RAB4CQ151J
R 4057	(A,50,102)	RS1/16SS222J	R 4308	(A,52,63)	RAB4CQ151J
R 4058	(A,41,102)	RS1/16SS473J	R 4309	(A,48,52)	RS1/16SS470J
R 4060	(A,52,72)	RS1/16SS473J	R 4311	(A,52,53)	RS1/16SS473J
R 4061	(A,52,102)	RS1/16SS222J	R 4312	(A,49,67)	RS1/16SS103J
R 4062	(A,23,110)	RS1/16SS104J	R 4313	(A,51,56)	RS1/16SS103J
R 4063	(A,36,103)	RS1/16SS473J	R 4314	(A,50,69)	RAB4CQ473J
R 4064	(A,38,102)	RS1/16SS151J	R 4315	(A,45,72)	RAB4CQ473J
R 4065	(A,39,102)	RS1/16SS151J	R 4316	(A,42,40)	RAB4CQ101J
R 4066	(A,42,100)	RS1/16SS221J	R 4317	(A,42,72)	RAB4CQ473J
R 4067	(A,49,102)	RS1/16SS473J	R 4318	(A,42,38)	RS1/16SS680J
R 4068	(A,41,100)	RS1/16SS0R0J	R 4319	(A,42,37)	RS1/16SS470J
R 4069	(A,35,103)	RS1/16SS473J	R 4320	(A,32,40)	RS1/16SS103J
R 4070	(A,34,103)	RS1/16SS473J	R 4321	(A,39,72)	RAB4CQ473J
R 4071	(A,58,98)	RS1/16SS124J	R 4322	(A,36,40)	RAB4CQ101J
R 4072	(A,24,111)	RS1/16SS474J	R 4323	(A,36,38)	RAB4CQ560J
R 4074	(A,56,84)	RS1/16SS221J	R 4324	(A,35,72)	RAB4CQ331J
R 4075	(A,58,83)	RS1/16SS221J	R 4325	(A,32,72)	RAB4CQ331J
R 4076	(A,58,81)	RS1/16SS102J	R 4326	(A,33,38)	RAB4CQ560J
R 4077	(A,48,102)	RS1/16SS0R0J	R 4327	(A,29,72)	RAB4CQ331J
R 4078	(A,43,102)	RS1/16SS101J	R 4328	(A,30,38)	RAB4CQ560J
R 4079	(A,58,78)	RS1/16SS221J	R 4329	(A,26,72)	RAB4CQ331J
R 4080	(A,50,71)	RS1/16SS473J	R 4330	(A,28,40)	RAB4CQ560J
R 4083	(A,55,117)	RS1/16SS101J	R 4331	(A,27,38)	RAB4CQ560J
R 4084	(A,53,117)	RS1/16SS101J	R 4332	(A,49,52)	RS1/16SS331J
R 4085	(A,53,116)	RS1/16SS101J	R 4333	(A,30,74)	RS1/16SS473J
R 4086	(A,56,117)	RS1/16SS104J	R 4334	(A,29,74)	RS1/16SS473J
R 4087	(A,40,74)	RS1/16SS471J	R 4336	(A,25,40)	RAB4CQ560J
R 4088	(A,52,74)	RS1/16SS0R0J	R 4337	(A,27,74)	RS1/16SS470J
R 4089	(A,47,73)	RS1/16SS0R0J	R 4338	(A,22,40)	RAB4CQ560J
R 4090	(A,48,73)	RS1/16SS0R0J	R 4339	(A,21,72)	RS1/16SS473J
R 4091	(A,49,73)	RS1/16SS0R0J	R 4340	(A,22,72)	RS1/16SS473J
R 4092	(A,44,102)	RS1/16SS102J	R 4341	(A,20,72)	RS1/16SS473J
R 4093	(A,49,106)	RS1/16SS473J	R 4342	(A,19,40)	RAB4CQ560J
R 4094	(A,40,104)	RS1/16SS473J	R 4343	(A,19,72)	RS1/16SS473J
R 4095	(A,59,84)	RS1/16SS473J	R 4345	(A,15,59)	RS1/16SS681J
R 4096	(A,32,102)	RS1/16SS473J	R 4346	(A,13,59)	RS1/16SS105J
R 4097	(A,60,81)	RS1/16SS222J	R 4347	(A,12,54)	RS1/16SS473J
R 4098	(A,60,82)	RS1/16SS222J	R 4348	(A,12,47)	RAB4CQ473J
R 4101	(A,12,97)	RAB4CQ221J	R 4349	(A,12,50)	RAB4CQ473J
R 4102	(A,15,97)	RAB4CQ221J	R 4350	(A,12,52)	RS1/16SS472J
R 4103	(A,20,97)	RAB4CQ221J	R 4351	(A,17,60)	RS1/16SS220J
R 4104	(A,23,97)	RAB4CQ221J	R 4353	(A,12,53)	RS1/16SS0R0J
R 4105	(A,18,99)	RS1/16SS473J	R 4354	(A,14,51)	RS1/16SS472J
R 4106	(A,20,99)	RS1/16SS472J	R 4355	(A,15,51)	RS1/16SS472J
R 4107	(A,18,72)	RS1/16SS102J	R 4357	(A,54,53)	RS1/16SS0R0J
R 4201	(A,28,34)	RAB4CQ470J	R 4368	(A,16,63)	RS1/16SS102J
R 4202	(A,42,34)	RAB4CQ470J	R 4369	(A,45,40)	RS1/16SS101J
R 4203	(A,27,30)	RAB4CQ470J	R 4370	(A,17,58)	RS1/16SS0R0J
R 4204	(A,42,31)	RAB4CQ470J	R 4371	(A,32,75)	RS1/16SS470J
R 4205	(A,26,25)	RAB4CQ470J	R 4372	(A,49,62)	RS1/16SS181J
R 4206	(A,42,25)	RAB4CQ470J	R 4433	(A,79,51)	RS1/16SS0R0J
R 4207	(A,26,22)	RAB4CQ470J	R 4434	(A,72,55)	RS1/16SS0R0J
R 4208	(A,42,22)	RAB4CQ470J	R 4437	(A,55,49)	RAB4CQ473J
R 4301	(A,44,40)	RS1/16SS101J	R 4438	(A,55,46)	RAB4CQ473J
R 4302	(A,48,43)	RAB4CQ101J	R 4440	(A,63,53)	RS1/16SS473J
R 4303	(A,48,47)	RAB4CQ101J	R 4441	(A,58,51)	RS1/16SS473J
R 4304	(A,48,50)	RAB4CQ101J	R 4442	(A,58,52)	RS1/16SS473J

**Circuit Symbol and No.****Part No.****Circuit Symbol and No.****Part No.**

	R 4444 (A,73,38)	RS1/16SS0R0J	R 5035 (A,140,92)	RS1/16S1002F
	R 4501 (A,95,15)	RS1/16S472J	R 5036 (A,136,90)	RS1/16S1802F
A	R 4502 (A,96,13)	RS1/16SS122J	R 5037 (A,120,83)	RS1/16S4300D
	R 4503 (A,119,15)	RS1/16SS122J	R 5038 (A,135,92)	RS1/16S2202F
	R 4504 (A,95,8)	RS1/16S182J	R 5039 (A,135,94)	RS1/16S0R0J
	R 4505 (A,95,5)	RS1/16S182J	R 5040 (A,123,83)	RS1/16S1802F
	R 4506 (A,118,6)	RS1/16S182J	R 5041 (A,126,82)	RS1/16S3303D
	R 4507 (A,121,6)	RS1/16S102J	R 5042 (A,123,82)	RS1/16S0R0J
	R 4526 (A,105,14)	RS1/16S472J	R 5043 (A,120,80)	RS1/16S203J
	R 4527 (A,122,15)	RS1/16SS202J	R 5044 (A,129,88)	RS1/16SS470J
	R 4701 (A,39,113)	RS1/16SS102J	R 5045 (A,129,90)	RS1/16SS470J
	R 4702 (A,39,116)	RS1/16SS102J	R 5103 (A,96,53)	RS1/16SS0R0J
	R 4703 (A,48,111)	RS1/16SS105J	R 5107 (A,87,61)	RS1/16SS391J
B	R 4704 (A,40,118)	RS1/16SS105J	R 5108 (A,86,61)	RS1/16SS105J
	R 4705 (A,50,117)	RS1/16SS103J	R 5109 (A,89,54)	RS1/16SS331J
	R 4706 (A,46,118)	RS1/16SS103J	R 5110 (A,91,57)	RS1/16SS152J
	R 4707 (A,46,119)	RS1/16SS103J	R 5111 (A,79,62)	RS1/16SS470J
	R 4708 (A,48,117)	RS1/16SS103J	R 5112 (A,72,69)	RS1/16SS473J
	R 4802 (A,127,117)	RS1/16SS0R0J	R 5113 (A,76,65)	RS1/16SS0R0J
	R 4803 (A,127,118)	RS1/16SS0R0J	R 5114 (A,123,74)	RS1/16S0R0J
	R 4804 (A,129,120)	RS1/16SS0R0J	R 5117 (A,76,64)	RS1/16SS0R0J
	R 4805 (A,127,116)	RS1/16SS0R0J	R 5118 (A,105,95)	RS1/16SS680J
	R 4806 (A,143,113)	RS1/16S0R0J	R 5119 (A,74,65)	RS1/16SS473J
	R 4807 (A,139,112)	RS1/16SS102J	R 5120 (A,74,66)	RS1/16SS473J
C	R 4808 (A,125,101)	RS1/16SS0R0J	R 5121 (A,74,67)	RS1/16SS473J
	R 4809 (A,134,107)	RS1/16SS0R0J	R 5124 (A,114,70)	RS1/16SS0R0J
	R 4810 (A,127,101)	RS1/16SS0R0J	R 5125 (A,114,76)	RS1/16SS333J
	R 4811 (A,128,101)	RS1/16SS0R0J	R 5126 (A,72,70)	RS1/16SS473J
	R 4817 (A,129,101)	RS1/16SS0R0J	R 5127 (A,72,72)	RS1/16SS473J
	R 5001 (A,56,113)	RS1/16SS102J	R 5128 (A,72,73)	RS1/16SS473J
	R 5002 (A,142,52)	RS1/16SS474J	R 5129 (A,72,74)	RS1/16SS473J
	R 5003 (A,123,97)	RS1/16SS684J	R 5130 (A,86,96)	RAB4CQ151J
	R 5004 (A,134,32)	RS1/16SS1001D	R 5131 (A,89,96)	RAB4CQ151J
	R 5006 (A,134,33)	RS1/16SS1101D	R 5132 (A,92,96)	RAB4CQ151J
	R 5007 (A,132,32)	RS1/16SS470J	R 5133 (A,95,96)	RAB4CQ151J
D	R 5009 (A,147,90)	RS1/16S0R0J	R 5134 (A,98,96)	RAB4CQ151J
	R 5010 (A,147,89)	RS1/16S6801F	R 5135 (A,105,98)	RAB4CQ151J
	R 5011 (A,150,78)	RS1/16S0R0J	R 5136 (A,108,97)	RAB4CQ151J
	R 5012 (A,147,87)	RS1/16S201J	R 5145 (A,104,53)	RS1/16SS0R0J
	R 5013 (A,149,80)	RS1/16S1001D	R 5146 (A,108,55)	RS1/16SS0R0J
	R 5014 (A,147,86)	RS1/16S1001D	R 5147 (A,111,57)	RS1/16SS0R0J
	R 5015 (A,147,84)	RS1/16S682J	R 5152 (A,99,57)	RS1/16SS105J
	R 5016 (A,144,90)	RS1/16S5100F	R 5153 (A,101,58)	RS1/16SS105J
	R 5017 (A,147,77)	RS1/16S102J	R 5154 (A,102,58)	RS1/16SS105J
	R 5018 (A,148,75)	RS1/16S1600D	R 5155 (A,110,55)	RS1/16SS0R0J
E	R 5019 (A,144,88)	RS1/16S2001F	R 5156 (A,108,62)	RS1/16SS0R0J
	R 5020 (A,142,34)	RS1/16S102J	R 5157 (A,112,66)	RS1/16SS181J
	R 5022 (A,147,75)	RS1/16S2700D	R 5158 (A,98,46)	RS1/16SS0R0J
	R 5023 (A,144,83)	RS1/16S684J	R 5201 (A,73,78)	RS1/16SS101J
	R 5024 (A,144,82)	RS1/16S123J	R 5202 (A,115,96)	RS1/16SS681J
	R 5025 (A,144,77)	RS1/16S333J	R 5203 (A,63,79)	RS1/16SS101J
	R 5026 (A,148,38)	RS1/16S1503D	R 5204 (A,71,90)	RS1/16SS472J
	R 5027 (A,149,36)	RS1/16S0R0J	R 5205 (A,65,89)	RS1/16SS223J
	R 5028 (A,147,35)	RS1/16S9102D	R 5206 (A,69,90)	RS1/16SS5602F
	R 5029 (A,145,35)	RS1/16S0R0J	R 5208 (A,66,85)	RS1/16SS3302D
	R 5030 (A,141,75)	RS1/16SS273J	R 5209 (A,67,90)	RS1/16SS101J
F	R 5031 (A,141,73)	RS1/16S150J	R 5210 (A,64,94)	RS1/16SS153J
	R 5032 (A,134,73)	RS1/16S150J	R 5211 (A,61,97)	RS1/16SS103J
	R 5033 (A,134,74)	RS1/16SS563J	R 5212 (A,64,95)	RS1/16SS0R0J
	R 5034 (A,129,82)	RS1/16S5102D	R 5213 (A,62,97)	RS1/16SS0R0J

<u>Circuit Symbol and No.</u>		<u>Part No.</u>	<u>Circuit Symbol and No.</u>		<u>Part No.</u>
R 5214	(A,63,99)	RS1/16SS100J	R 5609	(A,113,46)	RS1/16SS0R0J
R 5215	(A,64,99)	RS1/16SS100J	<b>CAPACITORS</b>		
R 5304	(A,111,106)	RS1/16S82R0F	C 4001	(A,46,74)	CKSSYB104K10
R 5305	(A,111,103)	RS1/16S56R0D	C 4003	(A,43,107)	CKSSYB104K10
R 5306	(A,109,103)	RS1/16S1800D	C 4004	(A,37,74)	CKSSYB104K10
R 5307	(A,109,106)	RS1/16S39R0D	C 4005	(A,43,105) 10 μF	CCG1171
R 5308	(A,109,109)	RS1/16S47R0D	C 4006	(A,55,78)	CKSSYB104K10
R 5309	(A,108,109)	RS1/16S47R0D	C 4007	(A,28,82)	CKSSYB104K10
R 5310	(A,106,109)	RS1/16S47R0D	C 4008	(A,55,89)	CKSSYB104K10
R 5311	(A,105,109)	RS1/16S68R0D	C 4009	(A,26,88)	CKSSYB104K10
R 5312	(A,103,109)	RS1/16S82R0F	C 4010	(A,55,91)	CKSSYB104K10
R 5313	(A,105,113)	RS1/16S75R0D	C 4011	(A,59,111)	CKSRYB105K6R3
R 5314	(A,106,113)	RS1/16S22R0D	C 4012	(A,28,96)	CKSSYB104K10
R 5315	(A,108,113)	RS1/16S150J	C 4013	(A,55,96)	CKSSYB104K10
R 5406	(A,57,58)	RS1/16SS821J	C 4014	(A,54,102)	CKSSYB104K10
R 5407	(A,57,56)	RS1/16SS105J	C 4015	(A,37,100)	CKSSYB104K10
R 5408	(A,71,59)	RS1/16SS470J	C 4016	(A,51,102)	CKSSYB104K10
R 5409	(A,71,60)	RS1/16SS0R0J	C 4018	(A,46,100)	CKSSYB104K10
R 5410	(A,60,60)	RS1/16SS220J	C 4020	(A,21,110)	CKSSYB103K16
R 5411	(A,67,74)	RS1/16SS103J	C 4021	(A,58,115)	CKSSYB104K10
R 5412	(A,71,66)	RS1/16SS222J	C 4022	(A,52,100)	CKSSYB104K10
R 5414	(A,58,67)	RS1/16SS151J	C 4023	(A,31,98)	CCSSCH680J50
R 5415	(A,58,66)	RS1/16SS151J	C 4101	(A,18,97)	CKSSYB102K50
R 5417	(A,66,61)	RS1/16SS0R0J	C 4102	(A,18,98)	CKSSYB104K10
R 5419	(A,57,64)	RS1/16SS221J	C 4103	(A,24,104)	CSZSR470M10
R 5420	(A,64,60)	RS1/16SS0R0J	C 4106	(A,23,102)	CKSRYB105K6R3
R 5421	(A,62,74)	RS1/16SS0R0J	C 4201	(A,40,35)	CCSSCH560J50
R 5422	(A,63,74)	RS1/16SS0R0J	C 4202	(A,47,34)	CSZSC101M10
R 5423	(A,70,62)	RS1/16SS0R0J	C 4203	(A,34,35)	CKSSYB104K10
R 5501	(A,63,22)	RS1/16SS103J	C 4204	(A,28,30)	CKSSYB104K10
R 5502	(A,64,23)	RS1/16SS104J	C 4205	(A,39,30)	CKSSYB104K10
R 5503	(A,67,23)	RS1/16SS473J	C 4206	(A,28,25)	CKSSYB104K10
R 5504	(A,68,23)	RS1/16SS105J	C 4207	(A,39,25)	CKSSYB104K10
R 5505	(A,64,20)	RS1/16SS472J	C 4208	(A,29,22)	CKSSYB104K10
R 5506	(A,66,18)	RS1/16SS473J	C 4209	(A,44,35)	CCSSCH101J50
R 5507	(A,63,16)	RS1/16SS333J	C 4210	(A,40,30)	CKSSYB102K50
R 5508	(A,66,14)	RS1/16S513J	C 4211	(A,29,30)	CKSSYB102K50
R 5509	(A,67,27)	RS1/16SS103J	C 4212	(A,29,25)	CKSSYB102K50
R 5510	(A,62,14)	RS1/16S105J	C 4213	(A,28,22)	CKSSYB102K50
R 5511	(A,73,25)	RS1/16SS102J	C 4214	(A,40,25)	CKSSYB102K50
R 5512	(A,78,23)	RS1/16SS563J	C 4215	(A,34,36)	CKSSYB102K50
R 5513	(A,81,11)	RS1/16S103J	C 4216	(A,43,37)	CCSSCH101J50
R 5514	(A,80,20)	RS1/16S103J	C 4301	(A,48,67)	CKSSYB102K50
R 5515	(A,47,19)	RS1/16SS103J	C 4302	(A,47,67)	CKSSYB104K10
R 5516	(A,49,18)	RS1/16SS104J	C 4303	(A,49,54)	CKSSYB102K50
R 5518	(A,44,12)	RS1/16S621J	C 4304	(A,47,55)	CKSSYB104K10
R 5520	(A,49,17)	RS1/16SS473J	C 4305	(A,48,64)	CKSSYB104K10
R 5521	(A,43,12)	RS1/16S621J	C 4306	(A,50,54)	CKSSYB104K10
R 5522	(A,44,18)	RS1/16S101J	C 4307	(A,47,64)	CKSSYB102K50
R 5523	(A,43,18)	RS1/16S101J	C 4308	(A,51,44)	CSZSR470M6R3
R 5524	(A,41,12)	RS1/16S821J	C 4309	(A,33,40)	CKSSYB104K10
R 5526	(A,59,14)	RS1/16S471J	C 4310	(A,34,40)	CKSSYB102K50
R 5601	(A,105,46)	RS1/16SS0R0J	C 4311	(A,51,49) 10 μF	CCG1171
R 5602	(A,106,46)	RS1/16SS0R0J	C 4312	(A,30,40)	CKSSYB102K50
R 5603	(A,107,46)	RS1/16SS0R0J	C 4313	(A,31,40)	CKSSYB104K10
R 5604	(A,108,46)	RS1/16SS0R0J	C 4314	(A,24,72)	CKSSYB102K50
R 5605	(A,109,46)	RS1/16SS0R0J	C 4315	(A,23,72)	CKSSYB104K10
R 5606	(A,110,46)	RS1/16SS0R0J	C 4316	(A,17,46)	CKSSYB104K10
R 5607	(A,111,46)	RS1/16SS0R0J			
R 5608	(A,112,46)	RS1/16SS0R0J			

**Circuit Symbol and No.****Part No.****Circuit Symbol and No.****Part No.**

C	4317	(A,16,46)	CKSSYB102K50	C	5038	(A,139,75)	CKSRYB105K6R3	
C	4318	(A,14,63)	CKSSYB104K10	C	5039	(A,137,75)	CKSRYB102K50	
C	4319	(A,13,58)	CCSSCH100D50	C	5041	(A,141,69) 10 $\mu$ F	CCG1223	
A	C	4320	(A,17,55)	CKSSYB104K10	C	5042	(A,144,70)	CKSRYB103K50
C	4321	(A,15,58)	CCSSCH100D50	C	5043	(A,137,90)	CKSRYB102K50	
C	4322	(A,17,48)	CKSSYB104K10	C	5044	(A,134,76)	CKSRYB104K25	
C	4323	(A,17,62)	CCSSCH101J50	C	5045	(A,141,90)	CKSRYB105K6R3	
C	4324	(A,15,66)	CKSSYB102K50	C	5046	(A,132,75)	CKSRYB105K6R3	
C	4325	(A,16,48)	CKSSYB103K16	C	5047	(A,131,75)	CKSRYB103K50	
C	4326	(A,16,66)	CKSSYB104K10	C	5048	(A,128,86)	CKSQYB475K16	
C	4328	(A,16,54) 10 $\mu$ F	CCG1171	C	5049	(A,131,89)	CKSRYB104K25	
C	4329	(A,55,53)	CKSSYB104K10	C	5050	(A,128,92)	CKSRYB104K25	
C	4335	(A,16,68)	CCSSCH101J50	C	5051	(A,130,92)	CKSRYB104K25	
C	4336	(A,14,53)	CCSSCH101J50	C	5052	(A,127,92)	CKSRYB104K25	
B	C	4337	(A,13,48)	CCSSCH101J50	C	5053	(A,123,59)	CKSRYB104K25
C	4701	(A,39,114)	CKSSYB473K10	C	5054	(A,129,80)	CKSRYB472K50	
C	4702	(A,39,115)	CKSSYB473K10	C	5055	(A,129,79)	CKSRYB472K50	
C	4703	(A,48,112)	CKSSYB102K50	C	5056	(A,129,84)	CKSRYB103K50	
C	4704	(A,41,118)	CKSSYB102K50	C	5057	(A,124,62) 33 $\mu$ F/10 V	CCH1586	
C	4705	(A,50,115)	CKSSYB104K10	C	5058	(A,122,56)	CKSQYB105K16	
C	4706	(A,39,108)	CKSSYB102K50	C	5059	(A,130,97)	CKSQYB105K16	
C	4707	(A,41,108)	CKSSYB102K50	C	5060	(A,123,80)	CKSRYB104K25	
C	4708	(A,43,108)	CKSSYB102K50	C	5062	(A,126,97)	CKSQYB105K16	
C	4709	(A,45,108)	CKSSYB102K50	C	5063	(A,123,76)	CKSQYF105Z25	
C	4710	(A,51,117)	CKSRYB105K10	C	5064	(A,133,96)	CKSQYF225Z16	
C	5001	(A,132,53) 10 $\mu$ F	CCG1171	C	5065	(A,135,96)	CKSQYF225Z16	
C	5002	(A,120,88) 10 $\mu$ F	CCG1171	C	5066	(A,129,77)	CKSRYB105K10	
C	5003	(A,54,105)	CSZSC470M10	C	5067	(A,132,89)	CKSRYB105K10	
C	5004	(A,58,109)	CKSRYB103K50	C	5068	(A,136,99)	CKSQYB105K16	
C	5005	(A,137,33)	CKSRYB104K25	C	5069	(A,120,77)	CKSQYF105Z25	
C	5006	(A,140,50)	CKSRYB104K25	C	5101	(A,85,59)	CCSSCH8R0D50	
C	5008	(A,123,95)	CKSRYB104K25	C	5102	(A,93,53) 10 $\mu$ F	CCG1171	
C	5009	(A,136,30)	CSZSR101M6R3	C	5103	(A,87,59)	CCSSCH8R0D50	
C	5010	(A,140,54)	CKSQYB105K16	C	5105	(A,99,55)	CKSRYB474K10	
C	5011	(A,120,95)	CKSRYB105K10	C	5108	(A,89,53)	CKSSYB104K10	
C	5012	(A,131,32)	CKSRYB105K6R3	C	5109	(A,98,56)	CKSRYB474K10	
C	5013	(A,142,55)	CSZS100M16	C	5110	(A,101,55)	CKSRYB474K10	
C	5014	(A,129,32)	CKSRYB105K6R3	C	5111	(A,90,59)	CKSSYB103K16	
C	5015	(A,54,113)	CKSRYB105K6R3	C	5112	(A,92,56)	CCSSCH4R0C50	
C	5016	(A,144,57)	CKSRYB105K10	C	5113	(A,94,61)	CKSSYB104K10	
C	5017	(A,146,94)	CKSRYB104K25	C	5114	(A,91,59)	CCSSCH181J25	
C	5018	(A,147,83)	CKSRYB473K50	C	5115	(A,92,59)	CKSSYB104K10	
C	5019	(A,142,60) 68 $\mu$ F/6.3 V	CCH1440	C	5116	(A,93,59)	CKSSYB104K10	
C	5020	(A,147,78)	CCSRCH331J50	C	5117	(A,94,59)	CKSSYB104K10	
C	5021	(A,143,63)	CKSRYB104K25	C	5118	(A,96,56)	CKSRYB474K10	
C	5022	(A,144,86)	CKSRYB104K25	C	5119	(A,96,59)	CKSSYB104K10	
C	5023	(A,150,44)	CSZSC101M10	C	5120	(A,97,59)	CKSSYB104K10	
C	5024	(A,144,92)	CSZS100M16	C	5121	(A,98,59)	CKSSYB104K10	
C	5025	(A,147,81)	CKSRYB103K50	C	5122	(A,103,59)	CKSSYB104K10	
C	5026	(A,144,79)	CCSRCH101J50	C	5123	(A,104,59)	CKSSYB104K10	
C	5027	(A,144,76)	CKSRYB103K50	C	5124	(A,105,60)	CKSSYB104K10	
C	5028	(A,144,85)	CKSRYB393K16	C	5125	(A,82,61)	CKSSYB104K10	
C	5029	(A,144,80)	CKSRYB393K16	C	5126	(A,84,61)	CKSSYB104K10	
C	5030	(A,143,36)	CKSRYB104K25	C	5127	(A,85,61)	CKSSYB104K10	
C	5031	(A,141,76)	CKSRYB104K25	C	5128	(A,89,61)	CKSSYB104K10	
C	5032	(A,130,70)	CKSRYB103K50	C	5129	(A,96,61)	CKSSYB104K10	
C	5034	(A,139,90)	CKSRYB393K16	C	5130	(A,99,61)	CKSSYB104K10	
C	5035	(A,135,69) 10 $\mu$ F	CCG1223	C	5131	(A,102,61)	CKSSYB104K10	
C	5036	(A,136,65)	CKSRYB224K16	C	5132	(A,104,61)	CKSSYB104K10	
C	5037	(A,132,69) 10 $\mu$ F	CCG1223	C	5133	(A,100,60)	CKSSYB104K10	

5		6		7		8	
<u>Circuit Symbol and No.</u>		<u>Part No.</u>		<u>Circuit Symbol and No.</u>		<u>Part No.</u>	
C 5134	(A,101,60)	CKSSYB104K10		C 5213	(A,66,82)	CKSRYB105K6R3	
C 5135	(A,102,60)	CKSSYB104K10		C 5214	(A,60,78)	CKSSYB104K10	
C 5136	(A,79,65)	CKSSYB104K10		C 5301	(A,119,102)	CKSRYB104K25	A
C 5137	(A,109,65)	CKSSYB104K10		C 5302	(A,82,94)	CKSSYB104K10	
C 5139	(A,109,67)	CKSSYB104K10		C 5303	(A,116,103) 10 µF	CCG1192	
C 5140	(A,79,68)	CKSSYB104K10		C 5304	(A,70,94)	CKSRYB104K25	
C 5141	(A,109,69)	CKSSYB104K10		C 5305	(A,67,93)	CKSRYB104K25	
C 5142	(A,79,71)	CKSSYB104K10		C 5306	(A,81,96)	CSZSR330M10	
C 5143	(A,109,72)	CKSSYB104K10		C 5307	(A,115,104)	CKSSYB104K10	
C 5144	(A,110,77)	CCSSCH101J50		C 5308	(A,81,100)	CKSSYB104K10	
C 5145	(A,79,74)	CKSSYB104K10		C 5309	(A,71,98) 4.7 µF	CCG1111	
C 5146	(A,112,77)	CKSSYB104K10		C 5310	(A,76,94)	CKSSYB104K10	
C 5147	(A,109,76)	CKSSYB104K10		C 5311	(A,70,95)	CKSRYB104K25	
C 5148	(A,79,77)	CKSSYB104K10		C 5312	(A,67,97)	CKSQYF105Z25	B
C 5149	(A,109,78)	CKSSYB104K10		C 5313	(A,66,99)	CKSRYB104K25	
C 5150	(A,109,80)	CKSSYB104K10		C 5314	(A,78,96) 10 µF	CCG1171	
C 5151	(A,79,80)	CKSSYB104K10		C 5315	(A,78,99)	CKSSYB104K10	
C 5152	(A,79,83)	CKSSYB104K10		C 5404	(A,62,56)	CKSSYB104K10	
C 5153	(A,109,82)	CKSSYB104K10		C 5406	(A,72,62) 10 µF	CCG1171	
C 5154	(A,109,84)	CKSSYB104K10		C 5407	(A,69,62)	CKSSYB104K10	
C 5155	(A,109,85)	CKSSYB104K10		C 5408	(A,56,56)	CCSSCH8R0D50	
C 5156	(A,109,86)	CKSSYB104K10		C 5409	(A,56,58)	CCSSCH8R0D50	
C 5157	(A,79,86)	CKSSYB104K10		C 5410	(A,61,61)	CCSSCH5R0C50	
C 5158	(A,109,89)	CKSSYB104K10		C 5411	(A,65,74)	CKSSYB104K10	
C 5159	(A,84,91)	CKSSYB104K10		C 5412	(A,59,73)	CKSSYB104K10	C
C 5160	(A,88,91)	CKSSYB104K10		C 5417	(A,61,58)	CCSSCH680J50	
C 5161	(A,90,91)	CKSSYB104K10		C 5418	(A,63,61)	CCSSCH680J50	
C 5162	(A,92,91)	CKSSYB104K10		C 5419	(A,68,62)	CCSSCH680J50	
C 5163	(A,95,91)	CKSSYB104K10		C 5420	(A,65,73)	CCSSCH680J50	
C 5164	(A,102,91)	CKSSYB104K10		C 5421	(A,59,72)	CCSSCH680J50	
C 5165	(A,82,91)	CKSSYB104K10		C 5501	(A,85,31) 10 µF	CCG1223	
C 5166	(A,99,91)	CKSSYB104K10		C 5502	(A,85,35) 10 µF	CCG1223	
C 5167	(A,115,85) 10 µF	CCG1171		C 5504	(A,77,31)	CKSRYB104K25	
C 5168	(A,114,79)	CSZSR470M10		C 5505	(A,74,31)	CKSRYB105K10	
C 5179	(A,113,61)	CSZSR470M10		C 5506	(A,69,23)	CKSRYB104K25	
C 5180	(A,91,61)	CKSSYB104K10		C 5507	(A,66,16)	CKSRYB104K25	D
C 5181	(A,110,94) 10 µF	CCG1171		C 5508	(A,71,23)	CKSRYB105K10	
C 5182	(A,110,92) 10 µF	CCG1171		C 5509	(A,68,19)	CKSRYB474K10	
C 5183	(A,115,68)	CKSRYB105K10		C 5511	(A,68,17)	CKSRYB105K10	
C 5184	(A,113,91)	CKSSYB103K16		C 5512	(A,69,14)	CKSRYB332K50	
C 5185	(A,113,86)	CKSSYB103K16		C 5513	(A,67,14)	CKSRYB152K50	
C 5186	(A,114,68)	CKSSYB103K16		C 5514	(A,70,28)	CKSRYB104K25	
C 5187	(A,79,57)	CKSSYB103K16		C 5515	(A,78,16)	CKSRYB473K50	
C 5188	(A,80,56)	CKSRYB105K10		C 5516	(A,61,14)	CKSRYB103K50	
C 5189	(A,87,49)	CKSRYB105K10		C 5517	(A,75,26)	CCSRCH221J50	
C 5190	(A,87,50)	CKSSYB103K16		C 5518	(A,78,19)	CKSRYB473K50	
C 5191	(A,115,82)	CKSSYB103K16		C 5519	(A,85,26) 10 µF	CCG1223	E
C 5197	(A,105,57)	CKSSYB471K50		C 5520	(A,83,18) 4.7 µF	CCG1111	
C 5198	(A,124,46)	CCSSCH101J50		C 5522	(A,91,6)	CKSRYB105K10	
C 5199	(A,125,46)	CKSSYB102K50		C 5523	(A,93,6)	CKSRYB105K10	
C 5201	(A,61,80) 10 µF	CCG1171		C 5525	(A,45,15)	CKSRYB104K25	
C 5204	(A,113,98)	CKSSYB104K10		C 5526	(B,49,8) 22 pF	CCG1140	
C 5205	(A,66,75)	CKSSYB104K10		C 5527	(A,49,14)	CKSRYB223K50	
C 5206	(A,70,92)	CKSRYB105K6R3		C 5529	(A,87,10) 4.7 µF	CCG1111	
C 5207	(A,74,92)	CKSSYB104K10					
C 5208	(A,71,85)	CKSSYB104K10					
C 5209	(A,66,87)	CKSSYB104K10					
C 5210	(A,74,86)	CSZSR220M16					
C 5211	(A,62,87) 4.7 µF	CCG1111					
C 5212	(A,66,89)	CKSSYB104K10					



**Unit Number : CWN1525**  
**Unit Name : Power Supply Unit**

**MISCELLANEOUS**

**Circuit Symbol and No.****Part No.****Circuit Symbol and No.****Part No.**

IC 7601	(A,34,33) IC	BP5451-1
IC 7701	(A,34,9) IC	BP5451-1
A IC 7751	(B,25,54) IC	BA00DD0WHFP
IC 7801	(B,32,67) IC	S-812C54AUA-C3I
IC 7851	(A,10,88) IC	BA00CC0WFP

EF7554	(A,18,55) EMI Filter	DTL1106
EF7555	(A,21,69) EMI Filter	DTL1106

**RESISTORS**

Q 7601	(A,28,42) Transistor	2SJ529S
Q 7602	(A,38,42) Transistor	2SJ529S
Q 7701	(A,28,17) Transistor	2SJ529S
Q 7702	(A,38,17) Transistor	2SJ529S
Q 7751	(B,12,74) Transistor	2SC4081

R 7553	(B,15,71)	RS1/16S103J
R 7554	(B,12,71)	RS1/16S103J
R 7555	(B,15,75)	RS1/16S103J
R 7601	(A,31,49)	RS1/16S102J
R 7602	(A,16,35)	RS1/16S1202D

Q 7801	(B,23,70) Transistor	2SB1184F5
Q 7802	(B,44,54) Transistor	2SD1664
Q 7901	(B,40,73) Transistor	2SD1760F5
B Q 7902	(B,33,81) Transistor	IMD2A
D 7501	(B,62,86) Diode	1SR154-400

R 7603	(A,13,35)	RS1/16S0R0J
R 7605	(A,23,35)	RS1/16S0R0J
R 7606	(A,50,35)	RS1/16S0R0J
R 7608	(A,57,35)	RS1/16S1202D
R 7609	(A,59,36)	RS1/16S68R0D

D 7502	(B,66,86) Diode	1SR154-400
D 7551	(B,12,69) Diode	UDZS5R6(B)
D 7552	(B,12,62) Diode	UDZS5R6(B)
D 7553	(A,10,71) Diode	UDZS5R6(B)
D 7554	(A,10,69) Diode	UDZS5R6(B)

R 7701	(A,30,26)	RS1/16S102J
R 7702	(A,17,11)	RS1/16S2001D
R 7703	(A,14,11)	RS1/16S2702D
R 7705	(A,23,11)	RS1/16S0R0J
R 7706	(A,50,11)	RS1/16S0R0J

D 7555	(B,15,62) Diode	UDZS5R6(B)
D 7601	(B,30,40) Diode	RSX201L-30
D 7602	(B,26,40) Diode	RSX201L-30
D 7603	(B,39,40) Diode	RSX201L-30
C D 7604	(B,64,50) Diode	RSX201L-30

R 7707	(A,57,11)	RS1/16S1002D
R 7713	(A,54,11)	RS1/16S4701D
R 7752	(B,33,59)	RS1/16S1203D
R 7753	(B,33,58)	RS1/16S1802D
R 7754	(B,33,56)	RS1/16S4702D

D 7605	(B,68,50) Diode	RSX201L-30
D 7701	(B,29,15) Diode	RSX201L-30
D 7702	(B,38,15) Diode	RSX201L-30
D 7704	(B,66,27) Diode	RSX201L-30
D 7705	(B,70,27) Diode	RSX201L-30

R 7755	(B,33,54)	RS1/16S0R0J
R 7756	(B,17,51)	RS1/16S102J
R 7801	(B,36,64)	RS1/16S471J
R 7802	(A,32,58)	RS1/16S2R2J
R 7803	(A,35,58)	RS1/16S2R2J

D 7751	(B,14,49) Diode	RSX201L-30
D 7801	(B,50,54) Diode	UDZS18(B)
D 7802	(B,39,55) Diode	1SR154-400
D 7901	(B,30,76) Diode	UDZS5R1(B)
D 7902	(B,46,67) Diode	RSX201L-30

R 7804	(A,32,56)	RS1/16S2R2J
R 7805	(A,35,56)	RS1/16S2R2J
R 7806	(B,45,50)	RS1/16S222J
R 7851	(B,19,88)	RS1/16S223J
R 7852	(B,17,88)	RS1/16S274J

D 7903	(A,16,77) Diode	RSX201L-30
L 7501	(A,39,81) Coil	CTH1113
L 7551	(A,18,51) Inductor	CTF1488
L 7552	(A,8,51) Inductor	CTF1488
L 7553	(A,14,51) Inductor	CTF1488

R 7853	(B,21,88)	RS1/16S473J
R 7854	(B,13,83)	RS1/16S102J
R 7901	(B,22,84)	RS1/16S102J
R 7902	(B,36,79)	RS1/16S681J
R 7903	(B,40,83)	RS1/16S681J

L 7554	(A,10,53) Inductor	CTF1558
L 7555	(A,24,69) Inductor	CTF1558
L 7601	(A,20,42) Coil	CTH1303
L 7602	(A,49,42) Coil	CTH1303
L 7603	(A,69,45) Coil	CTH1295

R 7904	(B,52,68)	RS1/16S2R2J
R 7905	(B,52,64)	RS1/16S2R2J
R 7906	(B,52,66)	RS1/16S2R2J
R 7907	(B,52,62)	RS1/16S2R2J

**CAPACITORS**

E L 7701	(A,20,18) Coil	CTH1303
L 7702	(A,49,18) Coil	CTH1303
L 7703	(A,69,19) Coil	CTH1295
△FU7558	(A,26,90) Fuse 3 A	CEK1286
△FU7601	(A,65,52) Fuse 4 A	CEK1288

C 7501	(A,63,68) 3 300 µF/16 V	CCH1583
C 7601	(A,10,42)	CEHAZL471M16
C 7602	(A,33,38)	CKSYB225K16
C 7603	(A,66,34)	CEHAZL471M16
C 7604	(A,43,38)	CKSYB225K16

△FU7602	(A,12,50) Fuse 3.5 A	CEK1287
△FU7603	(A,34,53) Fuse 2 A	CEK1284
△FU7701	(A,68,24) Fuse 3 A	CEK1286
△FU7702	(A,12,26) Fuse 2 A	CEK1284
△FU7703	(A,39,25) Fuse 2 A	CEK1284

C 7606	(A,59,42)	CEHAZL471M16
C 7607	(B,56,51)	CKSYB475K16
C 7608	(A,60,53) 2 200 µF/16 V	CCH1405
C 7701	(A,10,18)	CEHAZL471M16
C 7702	(A,33,14)	CKSYB225K16

F △FU7801	(A,17,70) Fuse 0.5 A	CEK1278
△FU7901	(A,15,72) Fuse 0.5 A	CEK1278
EF7551	(A,14,55) EMI Filter	DTF1106
EF7552	(A,8,55) EMI Filter	DTF1106
EF7553	(A,10,55) EMI Filter	DTL1106

C 7703	(A,68,9)	CEHAZL471M16
C 7704	(A,43,14)	CKSYB225K16
C 7706	(A,58,19)	CEHAZL471M16
C 7707	(B,70,16)	CKSYB475K16

<u>Circuit Symbol and No.</u>		<u>Part No.</u>	<u>Circuit Symbol and No.</u>		<u>Part No.</u>
C 7752	(B,33,61)	CKSRYB104K25	Q 8403	(B,120,141) Transistor	2SC4081
C 7753	(A,25,53)	CEVW221M10	Q 8451	(B,51,12) Transistor	2SC4081
C 7754	(B,24,61)	CKSRYB105K10	Q 8452	(B,46,16) Transistor	2SA1576
C 7801	(B,22,79)	CKSYB475K16	Q 8502	(B,187,108) Transistor	2SA1576
C 7802	(B,22,81)	CKSRYB102K50	Q 8507	(B,186,101) Transistor	2SA1576
C 7803	(A,22,76)	CEVW101M10	Q 8601	(B,174,155) Transistor	2SA1576
C 7804	(B,32,71)	CKSRYB103K50	Q 8602	(B,170,155) Transistor	DTC124EUA
C 7805	(B,29,66)	CKSRYB103K50	Q 8603	(A,107,139) Transistor	2SA1576
C 7807	(A,42,63) 2 200 $\mu$ F/16 V	CCH1405	Q 8604	(A,117,128) Transistor	2SA1576
C 7808	(B,48,54)	CKSRYB104K25	Q 8605	(A,98,138) Transistor	2SC4081
C 7851	(A,14,84)	CKSRYB105K10	Q 8701	(B,138,56) Transistor	2SD1664
C 7852	(A,14,82)	CKSRYB104K50	Q 8702	(B,153,107) Transistor	2SD1760F5
C 7853	(A,20,87)	CEVW101M10	Q 8703	(B,125,97) Transistor	2SC4081
C 7854	(B,14,85)	CKSQYB105K16	Q 8705	(B,135,135) Transistor	DTC124EUA
C 7901	(A,17,81) 10 $\mu$ F	CCG1171	Q 8706	(B,131,140) Transistor	2SB1132
C 7902	(B,33,76)	CKSRYB104K50	Q 8707	(B,148,160) Transistor	2SA1576
C 7903	(A,49,66)	CEAT102M16(P35)	Q 8708	(A,148,148) Transistor	2SC4081
			Q 8709	(B,136,156) Transistor	IMX1
			Q 8710	(B,54,81) Transistor	UMF23N
			Q 8711	(B,142,138) Transistor	2SD1664
			Q 8712	(A,158,128) Transistor	IMD3A
			Q 8751	(A,88,39) Transistor	2SC4081
			Q 8752	(B,92,32) Transistor	2SA1576
			Q 8753	(A,84,39) Transistor	2SC4081
			Q 8754	(B,97,33) Transistor	2SA1576
			Q 8801	(A,134,114) Transistor	FMG12
			Q 8802	(B,126,123) Transistor	DTA114EU
			Q 8803	(B,131,84) Transistor	2SC4081
			Q 8804	(B,139,86) Transistor	2SA1576
			Q 8805	(A,113,55) Transistor	DTC144EU
			Q 8806	(A,110,54) Transistor	2SA1576
			Q 8807	(A,117,51) Transistor	FMG12
			Q 8809	(B,124,84) Transistor	DTC144EUA
			Q 8901	(B,78,16) Transistor	2SC4081
			Q 8902	(A,17,71) Transistor	2SC4081
			D 8001	(B,11,87) Diode	1SS355
			D 8002	(A,16,93) Diode	1SS355
			D 8003	(A,81,164) Diode	RB160M-40
			D 8004	(A,90,165) Diode	RB160M-40
			D 8101	(A,88,98) Diode	1SR154-400
			D 8102	(B,155,92) Diode	DAP202U
			D 8201	(A,163,151) Diode	UDZS5R6(B)
			D 8202	(A,171,151) Diode	UDZS5R6(B)
			D 8203	(A,160,150) Diode	UDZS5R6(B)
			D 8204	(A,171,149) Diode	UDZS5R6(B)
			D 8205	(A,170,139) Diode	UDZS4R7(B)
			D 8206	(A,182,139) Diode	UDZS4R7(B)
			D 8251	(B,100,9) Diode	HZU2R7(B1)
			D 8252	(B,98,9) Diode	HZU2R7(B1)
			D 8253	(B,140,15) Diode	HZU2R7(B1)
			D 8254	(B,142,20) Diode	HZU2R7(B1)
			D 8305	(B,150,19) Diode	UDZS5R6(B)
			D 8306	(B,173,19) Diode	UDZS5R6(B)
			D 8307	(B,150,24) Diode	UDZS5R6(B)
			D 8308	(B,170,19) Diode	UDZS5R6(B)
			D 8311	(B,152,30) Diode	UDZS4R7(B)
			D 8312	(B,161,30) Diode	UDZS4R7(B)
			D 8451	(A,52,10) Diode	UDZS12(B)
			D 8452	(A,29,29) Diode	UDZS5R6(B)
			D 8453	(A,31,29) Diode	UDZS5R6(B)



**Unit Number : CWN1536**

**Unit Name : Tuner Selector Unit**

**MISCELLANEOUS**

IC 8001	(A,29,82) IC	PE5533A			
IC 8003	(A,16,97) IC	S-80841CNUA-B82			
IC 8101	(A,92,82) IC	CXA2069Q			
IC 8201	(A,166,147) IC	NJM4558V			
IC 8202	(A,178,147) IC	NJM4558V			
IC 8203	(A,166,143) IC	NJM4558V			
IC 8204	(A,178,143) IC	NJM4558V			
IC 8251	(A,134,20) IC	NJM2505F	Q 8807	(A,117,51) Transistor	FMG12
IC 8252	(A,141,30) IC	NJM2505F	Q 8809	(B,124,84) Transistor	DTC144EUA
IC 8303	(A,157,23) IC	NJM4558V	Q 8901	(B,78,16) Transistor	2SC4081
IC 8304	(A,164,23) IC	NJM4558V	Q 8902	(A,17,71) Transistor	2SC4081
IC 8307	(A,157,34) IC	NJM4558V	D 8001	(B,11,87) Diode	1SS355
IC 8308	(A,164,34) IC	NJM4558V	D 8002	(A,16,93) Diode	1SS355
IC 8401	(A,183,122) IC	NJM4558V	D 8003	(A,81,164) Diode	RB160M-40
IC 8451	(A,45,22) IC	NJM2505F	D 8004	(A,90,165) Diode	RB160M-40
IC 8501	(B,164,95) IC	NJM4558MD	D 8101	(A,88,98) Diode	1SR154-400
IC 8502	(B,167,54) IC	NJM2391DL1-33	D 8102	(B,155,92) Diode	DAP202U
IC 8504	(A,126,100) IC	NJM2388F84	D 8201	(A,163,151) Diode	UDZS5R6(B)
IC 8601	(A,120,141) IC	NJM2505F	D 8202	(A,171,151) Diode	UDZS5R6(B)
IC 8651	(A,132,135) IC	TPD1018F	D 8203	(A,160,150) Diode	UDZS5R6(B)
IC 8701	(A,137,73) IC	BA00CC0WFP	D 8204	(A,171,149) Diode	UDZS5R6(B)
IC 8751	(A,97,24) IC	BA7623F	D 8205	(A,170,139) Diode	UDZS4R7(B)
IC 8901	(A,75,56) IC	NJM2505F	D 8206	(A,182,139) Diode	UDZS4R7(B)
IC 8902	(A,68,56) IC	NJM2505F	D 8251	(B,100,9) Diode	HZU2R7(B1)
IC 8903	(A,62,56) IC	NJM2505F	D 8252	(B,98,9) Diode	HZU2R7(B1)
IC 8904	(A,68,43) IC	NJM2515V	D 8253	(B,140,15) Diode	HZU2R7(B1)
Q 8001	(B,18,96) Transistor	DTA114EU	D 8254	(B,142,20) Diode	HZU2R7(B1)
Q 8002	(A,83,165) Transistor	2SC4081	D 8305	(B,150,19) Diode	UDZS5R6(B)
Q 8003	(A,93,166) Transistor	2SA1576	D 8306	(B,173,19) Diode	UDZS5R6(B)
Q 8051	(B,29,81) Transistor	UMH1N	D 8307	(B,150,24) Diode	UDZS5R6(B)
Q 8052	(B,25,75) Transistor	UMH1N	D 8308	(B,170,19) Diode	UDZS5R6(B)
Q 8053	(B,33,73) Transistor	DTC124EUA			
Q 8102	(B,154,85) Transistor	FMG12	D 8311	(B,152,30) Diode	UDZS4R7(B)
Q 8103	(B,135,86) Transistor	UMD2N	D 8312	(B,161,30) Diode	UDZS4R7(B)
Q 8401	(B,177,131) Transistor	2SC4081	D 8451	(A,52,10) Diode	UDZS12(B)
Q 8402	(A,113,130) Transistor	DTA144EUA	D 8452	(A,29,29) Diode	UDZS5R6(B)
			D 8453	(A,31,29) Diode	UDZS5R6(B)

**Circuit Symbol and No.****Part No.****Circuit Symbol and No.****Part No.**

			L 8701	(B,158,158) Inductor	LCTC2R2K1608
			L 8703	(A,158,150) Inductor	CTF1295
A	D 8454 (B,51,17) Diode	1SS355	L 8751	(A,92,18) Inductor	LCYC100K2125
	D 8456 (B,49,28) Diode	1SS355	L 8771	(B,84,27) Chip Ferrite Bead	CTF1399
	D 8501 (B,171,102) Diode	UDZS5R6(B)	L 8772	(B,87,27) Chip Ferrite Bead	CTF1399
	D 8503 (B,159,52) Diode	1SR154-400	L 8901	(A,77,52) Inductor	CTF1473
	D 8504 (B,154,52) Diode	1SR154-400	L 8902	(A,71,52) Inductor	CTF1473
	D 8505 (B,148,54) Diode	1SR154-400	L 8903	(A,64,52) Inductor	CTF1473
	D 8601 (B,104,144) Diode	UMZ6R8EN	L 8904	(A,67,52) Inductor	CTF1473
	D 8602 (B,100,144) Diode	UMZ6R8EN	X 8001	(A,16,86) Radiator 18.874 MHz	CSS1622
	D 8603 (B,110,142) Diode	UMZ6R8EN	S 8251	(A,124,23) Switch(Video input)	CSH1065
	D 8604 (B,107,144) Diode	UMZ6R8EN	VR8751	(A,92,38) Semi-fixed	CCP1479
	D 8605 (B,111,150) Diode	HZU2R7(B1)			
	D 8606 (A,115,149) Diode	HZU2R7(B1)	VR8752	(A,96,38) Semi-fixed	CCP1479
B	D 8607 (A,119,148) Diode	HZU2R7(B1)	VR8901	(A,72,21) Semi-fixed	CCP1477
	D 8608 (B,121,161) Diode	HZU2R7(B1)	VR8902	(A,64,21) Semi-fixed	CCP1477
	D 8609 (B,106,150) Diode	HZU2R7(B1)	VR8903	(A,56,21) Semi-fixed	CCP1477
	D 8610 (A,115,147) Diode	HZU2R7(B1)	△FU8251	(A,121,31) Fuse 3 A	CEK1286
	D 8611 (A,115,145) Diode	HZU2R7(B1)			
	D 8612 (B,117,161) Diode	HZU2R7(B1)	△FU8301	(A,115,27) Fuse 3 A	CEK1286
	D 8651 (A,140,137) Diode	S1G-6904G2P	△FU8451	(A,36,19) Fuse 3 A	CEK1286
	D 8652 (A,140,134) Diode	S1G-6904G2P	△FU8452	(A,34,19) Fuse 5 A	CEK1289
	D 8701 (B,142,52) Diode	UDZS5R6(B)	△FU8601	(A,98,163) Fuse 3 A	CEK1286
	D 8702 (A,149,103) Diode	1SS355	△FU8602	(A,119,146) Fuse 3 A	CEK1286
	D 8703 (B,133,98) Diode	UDZS8R2(B)	△FU8751	(A,138,21) Fuse 3 A	CEK1286
	D 8705 (B,152,159) Diode	DAN202U			
C	D 8706 (A,141,151) Diode	1SR154-400	△FU8752	(A,170,18) Fuse 3 A	CEK1286
	D 8707 (A,154,150) Diode	UDZS6R8(B)	△FU8901	(B,54,19) Fuse 5 A	CEK1289
	D 8708 (A,141,148) Diode	1SR154-400	△FU8902	(A,77,20) Fuse 3 A	CEK1286
	D 8709 (B,140,160) Diode	HZU7L(C3)	△FU8903	(A,55,36) Fuse 3 A	CEK1286
	D 8710 (B,148,135) Diode	UDZS9R1(B)	△FU8904	(A,62,35) Fuse 3 A	CEK1286
	D 8711 (A,157,119) Diode	1SR154-400			
	D 8712 (A,171,128) Diode	UDZS5R6(B)	△FU8905	(A,72,56) Fuse 3 A	CEK1286
	D 8751 (B,86,19) Diode	MA153	△FU8906	(A,66,57) Fuse 3 A	CEK1286
			△FU8907	(A,60,59) Fuse 3 A	CEK1286
			Y 8501	(A,191,49) FM/AM Tuner Unit	CWE1806
	D 8752 (B,91,20) Diode	MA153			
	D 8801 (B,126,119) Diode	DAP202K			
D	D 8802 (B,125,89) Diode	DAN202U	R 8004	(B,28,86)	RS1/16S471J
	D 8803 (B,128,84) Diode	DAN202U	R 8005	(B,46,87)	RS1/16S473J
	D 8804 (B,117,91) Diode	DAN202U	R 8006	(B,48,85)	RS1/16S473J
			R 8007	(B,48,83)	RS1/16S104J
	D 8806 (A,113,51) Diode	DAP202K			
	D 8807 (B,119,84) Diode	DAN202U	R 8008	(B,23,96)	RS1/16S0R0J
	D 8901 (B,62,37) Diode	UDZS20(B)	R 8009	(B,39,80)	RS1/16S473J
	ZNR8501 (B,186,38) Surge Protector	RCCA-201Q31UA-PI	R 8011	(B,48,81)	RS1/16S104J
	L 8001 (A,34,95) Inductor	CTF1379	R 8012	(B,32,85)	RS1/16S471J
			R 8014	(B,38,72)	RS1/16S0R0J
	L 8002 (A,32,69) Inductor	CTF1379			
	L 8003 (A,27,69) Inductor	CTF1379	R 8015	(B,37,80)	RS1/16S473J
	L 8004 (A,29,97) Inductor	LCKAW2R2J2520	R 8016	(B,48,93)	RS1/16S182J
E	L 8005 (A,15,80) Inductor	CTF1379	R 8017	(A,41,76)	RS1/16S0R0J
	L 8101 (A,96,95) Inductor	CTF1473	R 8018	(B,48,91)	RS1/16S182J
			R 8020	(A,24,92)	RS1/16S0R0J
	L 8251 (A,131,17) Inductor	CTF1473	R 8021	(B,43,71)	RS1/16S102J
	L 8252 (A,139,25) Inductor	CTF1473			
	L 8451 (A,49,9) Inductor	CTF1379	R 8022	(B,44,94)	RS1/16S681J
	L 8452 (B,46,24) Inductor	CTF1473	R 8023	(A,37,71)	RS1/16S473J
	L 8453 (A,42,25) Inductor	CTF1473	R 8024	(B,44,98)	RS1/16S471J
			R 8025	(B,48,99)	RS1/16S471J
	L 8501 (B,189,45) Chip Coil	LCTAW4R7J2520	R 8026	(B,38,96)	RS1/16S681J
	L 8502 (B,183,93) Inductor	LCYC2R2K2125			
	L 8503 (B,181,83) Inductor	LCYC1R0K2125	R 8028	(B,29,89)	RS1/16S473J
	L 8504 (B,186,56) Inductor	LCYC1R0K2125	R 8029	(B,23,94)	RS1/16S473J
F	L 8601 (A,121,137) Inductor	CTF1473	R 8030	(B,23,90)	RS1/16S104J
			R 8031	(B,12,62)	RS1/16S681J
	L 8602 (A,109,154) Inductor-Array	CTF1542	R 8034	(A,19,85)	RS1/16S101J
	L 8603 (A,109,150) Inductor-Array	CTF1542			
	L 8604 (A,112,142) Inductor	CTF1379			

**RESISTORS**

<u>Circuit Symbol and No.</u>		<u>Part No.</u>	<u>Circuit Symbol and No.</u>		<u>Part No.</u>
R 8035	(B,22,86)	RS1/16S473J	R 8208	(B,177,145)	RS1/16S473J
R 8037	(A,15,91)	RS1/16S102J	R 8209	(B,168,147)	RS1/16S473J
R 8038	(B,8,62)	RS1/16S473J	R 8210	(B,180,147)	RS1/16S473J
R 8042	(A,12,93)	RS1/16S104J	R 8211	(A,161,147)	RS1/16S1002D
R 8045	(A,83,160)	RS1/16S122J	R 8212	(A,173,147)	RS1/16S1002D
R 8046	(B,44,74)	RS1/16S0R0J	R 8213	(B,168,145)	RS1/16S1002D
R 8047	(B,34,81)	RS1/16S0R0J	R 8214	(B,181,145)	RS1/16S1002D
R 8048	(A,39,67)	RS1/16S0R0J	R 8215	(B,165,142)	RS1/16S1002D
R 8049	(B,36,93)	RS1/16S681J	R 8216	(B,178,142)	RS1/16S1002D
R 8050	(B,36,91)	RS1/16S681J	R 8217	(A,162,140)	RS1/16S1002D
R 8051	(B,21,67)	RS1/16S152J	R 8218	(A,175,140)	RS1/16S1002D
R 8052	(B,27,81)	RS1/16S182J	R 8219	(A,172,143)	RS1/16S472J
R 8053	(B,24,80)	RS1/16S272J	R 8220	(A,184,143)	RS1/16S472J
R 8054	(B,28,74)	RS1/16S822J	R 8221	(B,169,142)	RS1/16S0R0J
R 8055	(A,83,162)	RS1/16S102J	R 8222	(B,181,142)	RS1/16S0R0J
R 8056	(B,23,67)	RS1/16S152J	R 8251	(B,128,20)	RS1/16S750J
R 8059	(B,19,67)	RS1/16S152J	R 8252	(B,143,25)	RS1/16S750J
R 8060	(B,21,78)	RS1/16S182J	R 8307	(B,155,15)	RS1/16S822J
R 8061	(B,22,74)	RS1/16S272J	R 8308	(B,161,17)	RS1/16S822J
R 8062	(A,40,67)	RS1/16S822J	R 8309	(B,155,19)	RS1/16S822J
R 8063	(B,75,29)	RS1/16S103J	R 8310	(B,165,19)	RS1/16S822J
R 8064	(A,93,163)	RS1/16S102J	R 8312	(B,163,19)	RS1/16S183J
R 8065	(A,96,162)	RS1/16S681J	R 8313	(B,157,19)	RS1/16S183J
R 8066	(A,95,165)	RS1/16S102J	R 8315	(B,154,25)	RS1/16S473J
R 8067	(A,88,165)	RS1/16S471J	R 8316	(B,162,24)	RS1/16S473J
R 8068	(A,86,165)	RS1/16S102J	R 8323	(B,153,25)	RS1/16S473J
R 8104	(B,122,74)	RS1/16S223J	R 8324	(B,161,24)	RS1/16S473J
R 8105	(B,124,70)	RS1/16S223J	R 8326	(B,166,35)	RS1/16S1002D
R 8107	(B,103,74)	RS1/16S0R0J	R 8328	(A,168,18)	RS1/16S1002D
R 8108	(B,102,88)	RS1/16S470J	R 8329	(B,158,35)	RS1/16S1002D
R 8109	(B,117,73)	RS1/16S622J	R 8331	(A,159,18)	RS1/16S1002D
R 8112	(B,108,77)	RS1/16S622J	R 8333	(A,157,39)	RS1/16S1002D
R 8113	(B,100,89)	RS1/16S470J	R 8334	(A,164,39)	RS1/16S1002D
R 8114	(A,101,65)	RS1/16S474J	R 8335	(B,156,36)	RS1/16S1002D
R 8115	(A,98,65)	RS1/16S474J	R 8336	(B,164,36)	RS1/16S1002D
R 8116	(A,100,70)	RS1/16S622J	R 8339	(B,153,36)	RS1/16S472J
R 8117	(B,86,91)	RS1/16S102J	R 8340	(B,161,36)	RS1/16S472J
R 8118	(A,93,65)	RS1/16S474J	R 8401	(A,186,137)	RS1/16S223J
R 8119	(A,97,70)	RS1/16S622J	R 8402	(A,173,120)	RS1/16S223J
R 8120	(A,92,70)	RS1/16S622J	R 8403	(A,174,123)	RS1/16S223J
R 8121	(B,94,97)	RS1/16S821J	R 8404	(A,192,120)	RS1/16S223J
R 8122	(B,94,99)	RS1/16S821J	R 8405	(A,173,123)	RS1/16S223J
R 8123	(A,90,70)	RS1/16S622J	R 8406	(A,191,123)	RS1/16S223J
R 8124	(A,86,70)	RS1/16S622J	R 8407	(A,177,123)	RS1/16S223J
R 8125	(A,90,65)	RS1/16S474J	R 8408	(A,188,123)	RS1/16S223J
R 8126	(B,88,69)	RS1/16S474J	R 8409	(A,186,130)	RS1/16S223J
R 8127	(A,83,70)	RS1/16S622J	R 8410	(A,192,123)	RS1/16S223J
R 8128	(A,77,73)	RS1/16S622J	R 8411	(A,186,141)	RS1/16S0R0J
R 8129	(B,149,88)	RS1/16S102J	R 8412	(B,120,138)	RS1/16S104J
R 8131	(B,83,67)	RS1/16S474J	R 8413	(B,125,148)	RS1/16S473J
R 8133	(A,77,78)	RS1/16S622J	R 8417	(B,178,127)	RS1/16S102J
R 8136	(A,77,70)	RS1/16S474J	R 8423	(B,182,131)	RS1/16S103J
R 8141	(A,75,84)	RS1/16S474J	R 8425	(B,180,127)	RS1/16S103J
R 8201	(B,164,149)	RS1/16S102J	R 8451	(A,50,11)	RS1/16S0R0J
R 8202	(B,175,149)	RS1/16S102J	R 8452	(A,45,15)	RS1/16S750J
R 8203	(B,168,151)	RS1/16S181J	R 8453	(B,47,28)	RS1/16S0R0J
R 8204	(B,180,151)	RS1/16S181J	R 8454	(B,49,17)	RS1/16S472J
R 8205	(B,164,151)	RS1/16S223J	R 8455	(B,45,20)	RS1/16S103J
R 8206	(B,175,151)	RS1/16S223J	R 8456	(B,47,20)	RS1/16S103J
R 8207	(B,164,145)	RS1/16S473J	R 8457	(B,48,13)	RS1/16S103J

**Circuit Symbol and No.****Part No.****Circuit Symbol and No.****Part No.**

	R 8458	(B,54,11)	RS1/16S103J	R 8637	(A,124,148)	RS1/16S4R7J
A	R 8501	(B,180,104)	RS1/16S561J	R 8639	(A,120,129)	RS1/16S104J
	R 8502	(B,184,106)	RS1/16S222J	R 8644	(A,103,146)	RS1/16S0R0J
	R 8503	(B,167,75)	RS1/16S681J	R 8645	(A,107,143)	RS1/16S682J
	R 8504	(B,187,66)	RS1/16S681J	R 8646	(A,117,131)	RS1/16S682J
	R 8505	(B,187,64)	RS1/16S681J	R 8647	(A,117,132)	RS1/16S223J
	R 8506	(B,187,62)	RS1/16S681J	R 8648	(A,97,136)	RS1/16S103J
	R 8507	(B,180,99)	RS1/16S561J	R 8649	(A,97,133)	RS1/16S102J
	R 8508	(B,177,105)	RS1/16S123J	R 8651	(A,131,130)	RS1/16S103J
	R 8510	(B,187,68)	RS1/16S681J	R 8701	(A,131,53)	RS1/16S0R0J
	R 8511	(B,183,100)	RS1/16S222J	R 8702	(A,150,102)	RS1/16S103J
				R 8703	(B,142,57)	RS1/16S102J
	R 8512	(B,187,69)	RS1/16S681J			
	R 8514	(B,185,61)	RS1/16S471J	R 8704	(A,158,125)	RS1/16S102J
B	R 8517	(B,176,99)	RS1/16S123J	R 8705	(A,132,68)	RS1/16S102J
	R 8518	(B,173,105)	RS1/16S823J	R 8706	(A,160,125)	RS1/16S102J
	R 8520	(B,160,100)	RS1/16S123J	R 8707	(A,150,105)	RS1/16S103J
				R 8708	(A,138,64)	RS1/16S274J
	R 8521	(B,173,96)	RS1/16S823J			
	R 8522	(B,164,102)	RS1/16S823J	R 8709	(A,139,64)	RS1/16S223J
	R 8523	(B,167,103)	RS1/16S681J	R 8710	(B,130,96)	RS1/16S104J
	R 8525	(A,126,63)	RAB4C473J	R 8711	(A,141,64)	RS1/16S473J
	R 8526	(B,160,104)	RS1/16S821J	R 8712	(A,141,67)	RS1/16S0R0J
				R 8713	(B,137,95)	RS1/16S473J
	R 8527	(B,163,88)	RS1/16S123J			
	R 8529	(B,166,89)	RS1/16S823J	R 8714	(A,158,123)	RS1/16S223J
	R 8530	(B,186,77)	RS1/16S0R0J	R 8715	(A,186,143)	RS1/16S0R0J
C	R 8531	(B,159,83)	RS1/16S821J	R 8716	(B,186,146)	RS1/16S0R0J
	R 8532	(B,128,108)	RS1/16S102J	R 8718	(B,131,135)	RS1/16S102J
				R 8719	(B,153,151)	RS1/16S104J
	R 8535	(B,168,114)	RS1/16S0R0J			
	R 8537	(B,94,162)	RS1/16S0R0J	R 8720	(B,131,153)	RS1/16S472J
	R 8538	(B,120,97)	RS1/16S0R0J	R 8721	(B,152,162)	RS1/16S473J
	R 8539	(B,160,92)	RS1/16S0R0J	R 8722	(B,131,136)	RS1/16S223J
	R 8560	(A,40,63)	RS1/16S104J	R 8723	(B,148,157)	RS1/16S473J
				R 8724	(B,133,153)	RS1/16S473J
	R 8562	(B,24,35)	RS1/16S104J			
	R 8566	(B,26,34)	RS1/16S104J	R 8725	(B,136,139)	RAB4C331J
	R 8576	(B,22,35)	RS1/16S102J	R 8726	(A,148,151)	RS1/16S103J
	R 8577	(B,35,35)	RS1/16S102J	R 8727	(A,152,149)	RS1/16S103J
D	R 8601	(A,122,148)	RS1/16S750J	R 8728	(B,155,157)	RS1/16S103J
				R 8729	(B,137,161)	RS1/16S104J
	R 8602	(A,104,155)	RS1/16S0R0J			
	R 8603	(A,104,154)	RS1/16S0R0J	R 8730	(A,156,150)	RS1/16S103J
	R 8604	(A,100,146)	RS1/16S102J	R 8731	(B,135,161)	RS1/16S473J
	R 8605	(A,103,139)	RS1/16S102J	R 8732	(B,51,83)	RS1/16S472J
	R 8606	(A,107,145)	RS1/16S102J	R 8733	(B,52,85)	RS1/16S472J
				R 8734	(B,58,82)	RS1/16S102J
	R 8607	(A,111,142)	RS1/16S102J			
	R 8608	(B,114,145)	RS1/16S0R0J	R 8735	(A,161,122)	RS1/16S2R2J
	R 8609	(B,116,144)	RS1/16S0R0J	R 8736	(A,161,120)	RS1/16S2R2J
	R 8610	(B,117,145)	RS1/16S0R0J	R 8737	(A,160,122)	RS1/16S2R2J
E	R 8611	(B,119,146)	RS1/16S0R0J	R 8738	(A,160,120)	RS1/16S2R2J
				R 8739	(B,147,141)	RS1/16S471J
	R 8612	(B,121,145)	RS1/16S0R0J			
	R 8613	(B,123,146)	RS1/16S0R0J	R 8740	(B,147,139)	RS1/16S471J
	R 8621	(A,126,152)	RS1/16S47R0D	R 8751	(A,102,52)	RS1/16S22R0D
	R 8622	(A,128,152)	RS1/16S0R0J	R 8753	(A,90,26)	RS1/16S513J
	R 8623	(A,126,148)	RS1/16S0R0J	R 8754	(B,97,26)	RS1/16S683J
				R 8755	(A,93,26)	RS1/16S513J
	R 8624	(A,127,148)	RS1/16S0R0J			
	R 8626	(B,170,158)	RS1/16S562J	R 8756	(B,94,26)	RS1/16S683J
	R 8627	(B,174,158)	RS1/16S332J	R 8757	(B,95,84)	RS1/16S821J
	R 8628	(A,109,142)	RS1/16S102J	R 8758	(B,95,81)	RS1/16S821J
	R 8629	(A,109,147)	RS1/16S0R0J	R 8759	(A,48,25)	RS1/16S560J
				R 8760	(A,48,22)	RS1/16S150J
F	R 8630	(A,111,147)	RS1/16S0R0J			
	R 8631	(A,106,145)	RS1/16S223J	R 8761	(A,50,18)	RS1/16S0R0J
	R 8632	(A,104,139)	RS1/16S0R0J	R 8762	(A,91,26)	RS1/16S513J
	R 8636	(B,176,155)	RS1/16S222J	R 8763	(B,96,26)	RS1/16S683J

<u>Circuit Symbol and No.</u>		<u>Part No.</u>	<u>Circuit Symbol and No.</u>		<u>Part No.</u>
R 8764	(A,144,29)	RS1/16S560J	C 8009	(A,21,92)	CKSRYB104K25
R 8765	(A,144,26)	RS1/16S150J	C 8010	(A,23,97)	CEVW470M6R3
			C 8011	(B,20,91)	CKSRYB102K50
R 8766	(A,143,23)	RS1/16S0R0J			
R 8767	(A,87,30)	RS1/16S223J	C 8012	(A,19,80)	CKSRYB102K50
R 8768	(A,88,26)	RS1/16S223J	C 8013	(A,13,84)	CCSRCH100D50
R 8769	(B,90,37)	RS1/16S681J	C 8014	(A,13,87)	CCSRCH100D50
R 8770	(B,95,32)	RS1/16S152J	C 8015	(B,25,87)	CKSRYB105K10
			C 8016	(A,18,80)	CKSRYB104K25
R 8771	(A,88,30)	RS1/16S681J			
R 8772	(A,85,26)	RS1/16S223J	C 8018	(B,15,94)	CKSRYB105K10
R 8773	(A,86,26)	RS1/16S223J	C 8020	(A,93,162)	CKSRYB102K50
R 8774	(B,94,37)	RS1/16S681J	C 8102	(B,110,77)	CKSRYB105K10
R 8775	(B,99,35)	RS1/16S152J	C 8103	(B,119,73)	CKSRYB105K10
			C 8106	(A,108,83)	CKSRYB104K25
R 8776	(B,86,30)	RS1/16S681J			
R 8778	(B,146,25)	RS1/16S470J	C 8107	(A,106,72) 10 $\mu$ F	CCG1171
R 8779	(A,50,22)	RS1/16S470J	C 8108	(A,105,66)	CKSRYB104K25
R 8782	(B,84,35)	RS1/16S0R0J	C 8109	(A,109,83)	CKSRYB104K25
R 8783	(B,87,36)	RS1/16S470J	C 8110	(A,106,83)	CKSRYB104K25
			C 8111	(B,100,74)	CKSRYB104K25
R 8784	(B,87,34)	RS1/16S470J			
R 8801	(B,128,88)	RS1/16S473J	C 8112	(A,100,67)	CKSRYB105K10
R 8802	(B,131,87)	RS1/16S224J	C 8113	(B,97,74)	CKSRYB104K25
R 8803	(B,135,81)	RS1/16S223J	C 8114	(A,92,67)	CKSRYB105K10
R 8804	(B,139,83)	RS1/16S473J	C 8115	(A,95,70)	CKSRYB104K25
			C 8116	(B,95,74)	CKSRYB104K25
R 8805	(A,112,57)	RS1/16S0R0J			
R 8806	(A,110,52)	RS1/16S103J	C 8117	(A,97,67)	CKSRYB105K10
R 8807	(A,110,50)	RS1/16S103J	C 8118	(A,93,93)	CKSRYB104K25
R 8808	(B,77,35)	RS1/16S223J	C 8119	(B,92,74)	CKSRYB104K25
R 8809	(B,77,38)	RS1/16S223J	C 8120	(A,95,98)	CEVW220M16
			C 8121	(A,90,95) 10 $\mu$ F	CCG1171
R 8810	(B,128,81)	RS1/16S473J			
R 8851	(B,96,121)	RS1/16S0R0J	C 8122	(A,84,95) 10 $\mu$ F	CCG1171
R 8852	(B,89,120)	RS1/16S0R0J	C 8123	(A,86,44) 10 $\mu$ F	CCG1171
R 8901	(A,71,63)	RS1/16S750J	C 8124	(B,87,69)	CKSRYB105K10
R 8902	(A,67,63)	RS1/16S750J	C 8125	(A,88,70)	CKSRYB104K25
			C 8126	(B,88,74)	CKSRYB104K25
R 8903	(A,63,63)	RS1/16S750J			
R 8904	(B,77,47)	RS1/16S0R0J	C 8127	(A,90,67)	CKSRYB105K10
R 8905	(B,69,47)	RS1/16S0R0J	C 8128	(B,94,88)	CKSRYB104K25
R 8906	(A,21,71)	RS1/16S103J	C 8129	(B,82,90)	CKSYB106K6R3
R 8907	(A,75,22)	RS1/16S510J	C 8130	(B,85,74)	CKSRYB104K25
			C 8131	(B,94,86)	CKSRYB104K25
R 8908	(A,75,20)	RS1/16S101J			
R 8909	(A,67,22)	RS1/16S510J	C 8133	(B,83,74)	CKSRYB104K25
R 8910	(A,67,20)	RS1/16S101J	C 8134	(A,74,72) 10 $\mu$ F	CCG1171
R 8911	(A,59,22)	RS1/16S510J	C 8135	(B,82,67)	CKSRYB105K10
R 8912	(A,58,20)	RS1/16S101J	C 8136	(A,77,76)	CKSRYB104K25
			C 8139	(A,74,79) 10 $\mu$ F	CCG1171
R 8913	(A,15,72)	RS1/16S103J			
R 8917	(B,78,20)	RS1/16S103J	C 8201	(B,190,155)	CKSRYB103K50
R 8918	(B,76,20)	RS1/16S102J	C 8202	(A,175,149)	CCSRCH471J50
R 8919	(B,48,38)	RS1/16S0R0J	C 8203	(A,164,149)	CCSRCH471J50
R 8920	(A,69,24)	RS1/16S0R0J	C 8204	(B,175,147)	CKSQYB106K6R3
			C 8205	(B,164,147)	CKSQYB106K6R3
R 8921	(A,78,25)	RS1/16S0R0J			
R 8924	(B,82,16)	RS1/16S473J	C 8206	(B,179,149)	CKSQYB106K6R3
R 8928	(A,75,38)	RS1/16S103J	C 8207	(B,168,149)	CKSQYB106K6R3
			C 8208	(B,176,142)	CCSRCH820J50
			C 8209	(B,163,142)	CCSRCH820J50
			C 8210	(A,173,140)	CCSRCH820J50

**CAPACITORS**

C 8001	(A,34,71)	CKSRYB102K50			
C 8002	(A,32,71)	CKSRYB102K50	C 8211	(A,160,140)	CCSRCH820J50
C 8003	(A,32,93)	CKSRYB102K50	C 8212	(A,184,140)	CKSRYB104K25
C 8004	(A,31,71)	CKSRYB104K25	C 8213	(A,172,140)	CKSRYB104K25
C 8005	(A,32,94)	CKSRYB104K25	C 8214	(A,178,137)	CEVW100M16
			C 8215	(A,165,137)	CEVW100M16
C 8007	(A,26,72)	CKSRYB104K25			
C 8008	(A,28,72)	CKSRYB102K50	C 8216	(A,179,149)	CKSRYB104K25
			C 8217	(A,167,149)	CKSRYB104K25

**Circuit Symbol and No.****Part No.****Circuit Symbol and No.****Part No.**

C 8218 (A,172,134)  
 C 8219 (A,159,134)  
 C 8251 (B,134,18)

CEVW220M16  
 CEVW220M16  
 CKSRYB105K10

C 8522 (A,148,87)  
 C 8523 (B,184,55)  
 C 8524 (A,148,52)  
 C 8525 (B,169,97)  
 C 8526 (B,162,52)

CEVW101M10  
 CKSRYB105K10  
 CEVW220M6R3  
 CKSRYB105K10  
 CKSRYB103K50

A

C 8252 (B,140,26)  
 C 8253 (B,131,18)  
 C 8254 (B,144,28)  
 C 8255 (A,134,17)  
 C 8256 (A,140,27)

CKSRYB105K10  
 CKSRYB105K10  
 CKSRYB105K10  
 CKSRYB104K25  
 CKSRYB104K25

C 8527 (B,172,52)  
 C 8529 (B,162,46)  
 C 8531 (B,167,84)  
 C 8532 (B,164,106)  
 C 8533 (B,171,96)

CKSRYB103K50  
 CKSYB475K10  
 CKSRYB105K10  
 CKSRYB105K10  
 CKSRYB103K50

C 8257 (B,139,8)  
 C 8258 (B,144,10)  
 C 8306 (B,167,17)  
 C 8307 (B,153,19)

CKSRYB104K25  
 CKSRYB104K25  
 CCSRCH471J50  
 CCSRCH471J50

C 8536 (A,134,105)  
 C 8537 (B,123,104)  
 C 8538 (B,123,100)  
 C 8539 (A,125,94)  
 C 8540 (B,169,103)

CEVW101M10  
 CKSRYB103K50  
 CKSRYB103K50  
 CEVW101M16  
 CKSQYB475K6R3

B

C 8309 (B,157,24)  
 C 8310 (B,165,24)  
 C 8311 (A,155,17)  
 C 8312 (A,164,17)  
 C 8317 (A,157,40)  
 C 8318 (A,164,40)

CKSYB106K6R3  
 CKSYB106K6R3  
 CKSYB106K6R3  
 CKSYB106K6R3  
 CCSRCH820J50  
 CCSRCH820J50

C 8541 (B,161,88)  
 C 8545 (B,174,96)  
 C 8547 (B,166,87)  
 C 8601 (A,123,145)  
 C 8602 (A,121,145)

CKSRYB474K10  
 CCSRCH470J50  
 CCSRCH470J50  
 CKSRYB105K10  
 CKSRYB105K10

C 8319 (B,154,36)  
 C 8320 (B,162,36)  
 C 8326 (B,163,31)  
 C 8329 (B,155,32)  
 C 8331 (A,149,25)  
 C 8332 (A,149,19)  
 C 8333 (A,160,23)

CCSRCH820J50  
 CCSRCH820J50  
 CKSRYB104K25  
 CKSRYB104K25  
 CEVW100M16  
 CEVW100M16  
 CKSRYB104K25

C 8603 (A,123,141)  
 C 8651 (A,132,142)  
 C 8652 (A,132,140)  
 C 8653 (A,136,138)

CKSRYB104K25  
 CKSRYB104K25  
 CKSYB475K16  
 CKSRYB104K25

C

C 8334 (A,167,23)  
 C 8335 (A,149,37)  
 C 8336 (A,149,31)  
 C 8401 (A,183,136) 10  $\mu$ F  
 C 8402 (A,189,123)

CKSRYB104K25  
 CEVW220M16  
 CEVW220M16  
 CCG1171  
 CCSRCH180J50

C 8701 (A,132,50) 10  $\mu$ F  
 C 8702 (A,138,50)  
 C 8703 (B,139,50)  
 C 8704 (B,135,65)

CCG1171  
 CEVW101M16  
 CKSRYB103K50  
 CKSRYB474K10

C 8403 (A,176,123)  
 C 8404 (A,183,131) 10  $\mu$ F  
 C 8405 (A,183,134) 10  $\mu$ F  
 C 8406 (A,183,129) 10  $\mu$ F  
 C 8407 (A,174,120)

CCSRCH180J50  
 CCG1171  
 CCG1171  
 CCG1171  
 CCSRCH180J50

C 8705 (A,148,97)  
 C 8706 (B,135,67)  
 C 8707 (A,135,58)  
 C 8708 (A,134,65)  
 C 8709 (A,165,128)

CEVW101M10  
 CKSRYB104K25  
 CEVW221M10  
 CKSQYB105K16  
 CEVW100M10

D

C 8408 (A,191,120)  
 C 8409 (B,176,127)  
 C 8410 (A,178,129) 22  $\mu$ F  
 C 8411 (B,182,127)  
 C 8413 (A,184,125)

CCSRCH180J50  
 CKSRYB104K25  
 CCG1178  
 CKSRYB102K50  
 CKSRYB104K25

C 8710 (A,152,124)  
 C 8712 (A,173,128)  
 C 8713 (B,184,143)  
 C 8714 (A,141,143)  
 C 8715 (A,151,151)

CEVW101M6R3  
 CKSRYB104K25  
 CKSQYB106K6R3  
 CEVW101M16  
 CKSRYB104K25

C 8451 (A,46,12)  
 C 8452 (A,46,17)  
 C 8453 (A,44,17)  
 C 8454 (B,43,15)  
 C 8455 (A,42,22)

CCSRCH471J50  
 CKSRYB105K10  
 CKSRYB105K10  
 CKSRYB104K25  
 CKSRYB104K25

C 8716 (B,155,158)  
 C 8717 (B,162,158)  
 C 8719 (B,141,134)  
 C 8720 (A,139,129)  
 C 8721 (A,167,120)

CKSRYB103K50  
 CKSRYB104K25  
 CKSRYB103K50  
 CEVW101M10  
 CEAT471M16(P35)

E

C 8504 (B,189,111)  
 C 8506 (B,189,92)  
 C 8507 (B,183,83)  
 C 8508 (A,148,78)  
 C 8509 (A,148,69)

CKSRYB332K50  
 CKSRYB103K50  
 CKSRYB103K50  
 CEVW470M10  
 CEVW470M10

C 8722 (A,151,134)  
 C 8723 (B,145,136)  
 C 8751 (A,104,46)  
 C 8752 (A,96,46)  
 C 8753 (A,97,31) 47  $\mu$ F

CEVW470M16  
 CKSRYB103K50  
 CEVW221M4  
 CEVW221M4  
 CCG1181

C 8510 (B,189,56)  
 C 8511 (B,189,103)  
 C 8512 (B,179,105)  
 C 8513 (A,148,59)  
 C 8515 (B,185,52)

CKSRYB103K50  
 CKSRYB332K50  
 CKSRYB474K10  
 CEVW101M10  
 CKSRYB104K25

C 8754 (A,91,31) 10  $\mu$ F  
 C 8755 (A,93,21)  
 C 8756 (B,90,84)  
 C 8757 (A,88,21)  
 C 8758 (B,90,81)

CCG1171  
 CKSRYB473K50  
 CKSYB475K10  
 CEVW100M10  
 CKSYB475K10

F

C 8516 (B,175,105)  
 C 8517 (B,181,100)  
 C 8518 (B,160,96)  
 C 8520 (B,164,104)  
 C 8521 (B,183,58)

CCSRCH470J50  
 CKSRYB474K10  
 CKSRYB474K10  
 CCSRCH470J50  
 CKSRYB103K50

C 8759 (A,50,50)  
 C 8760 (A,50,40)  
 C 8761 (A,50,31)  
 C 8762 (A,93,31) 47  $\mu$ F  
 C 8763 (A,126,39)

CEVW221M4  
 CEVW221M4  
 CEVW221M4  
 CCG1181  
 CEVW221M4

C 8764 (A,134,39)  
 C 8765 (A,141,39)

CEVW221M4  
 CEVW221M4



**Circuit Symbol and No.****Part No.****Circuit Symbol and No.****Part No.**

	R 9001	(A,28,133)	RS1/16S471J	R 9126	(A,30,27)	RS1/16S682J
	R 9011	(B,71,135)	RS1/16S103J	R 9127	(A,27,27)	RS1/16S682J
	R 9012	(B,73,137)	RS1/16S103J	R 9128	(A,41,27)	RS1/16S682J
A	R 9013	(B,72,132)	RS1/16S181J	R 9129	(A,27,29)	RS1/16S223J
	R 9014	(B,70,132)	RS1/16S181J	R 9130	(A,42,29)	RS1/16S223J
	R 9015	(B,69,132)	RS1/16S181J	R 9131	(A,15,28)	RS1/16S223J
	R 9021	(A,34,127)	RS1/16S223J	R 9132	(A,29,29)	RS1/16S223J
	R 9022	(A,31,127)	RAB4C332J	R 9141	(B,24,49)	RS1/16S222J
	R 9023	(A,17,110)	RS1/16S8201D	R 9142	(B,29,49)	RS1/16S222J
	R 9024	(A,18,110)	RS1/16S3302D	R 9143	(B,25,49)	RS1/16S222J
	R 9025	(B,22,102)	RS1/16S1803D	R 9144	(B,31,49)	RS1/16S222J
	R 9026	(B,22,100)	RS1/16S1001D	R 9145	(B,25,45)	RS1/16S682J
	R 9027	(A,23,106)	RS1/16S103J	R 9146	(B,29,45)	RS1/16S682J
B	R 9028	(A,26,105)	RS1/16S3601D	R 9147	(B,24,45)	RS1/16S682J
	R 9029	(B,22,106)	RS1/10S681J	R 9148	(B,31,45)	RS1/16S682J
	R 9030	(B,28,107)	RS1/16S4702D	R 9149	(B,26,41)	RS1/16S223J
	R 9031	(B,27,107)	RS1/16S5101D	R 9150	(B,29,39)	RS1/16S223J
	R 9032	(B,26,114)	RS1/16S223J	R 9151	(B,26,37)	RS1/16S682J
	R 9033	(B,22,109)	RS1/10S222J	R 9152	(B,32,38)	RS1/16S682J
	R 9034	(A,27,113)	RS1/10S101J	R 9153	(A,30,36)	RS1/16S682J
	R 9035	(B,22,112)	RS1/10S222J	R 9154	(A,41,36)	RS1/16S682J
	R 9037	(B,25,123)	RS1/16S0R0J	R 9155	(A,29,39)	RS1/16S223J
	R 9039	(B,25,87)	RS1/16S0R0J	R 9156	(A,42,38)	RS1/16S223J
	R 9051	(B,40,97)	RS1/16S473J	R 9161	(B,11,49)	RS1/16S222J
C	R 9052	(A,22,135)	RS1/16S104J	R 9162	(B,14,49)	RS1/16S222J
	R 9053	(A,21,132)	RS1/16S473J	R 9163	(B,13,49)	RS1/16S222J
	R 9054	(B,40,95)	RS1/16S223J	R 9164	(B,17,47)	RS1/16S222J
	R 9055	(B,47,95)	RS1/16S102J	R 9165	(B,9,45)	RS1/16S682J
	R 9058	(B,26,132)	RS1/16S472J	R 9166	(B,13,45)	RS1/16S682J
	R 9059	(B,34,91)	RS1/16S473J	R 9167	(B,11,45)	RS1/16S682J
	R 9060	(B,33,95)	RS1/16S104J	R 9168	(B,15,45)	RS1/16S682J
	R 9061	(B,17,139)	RS1/16S103J	R 9169	(B,13,41)	RS1/16S223J
	R 9062	(B,18,142)	RS1/16S103J	R 9170	(B,17,41)	RS1/16S223J
	R 9063	(B,18,148)	RS1/16S331J	R 9171	(B,10,40)	RS1/16S682J
	R 9064	(B,26,148)	RS1/16S101J	R 9172	(B,19,40)	RS1/16S682J
D	R 9101	(B,15,29)	RS1/16S222J	R 9173	(A,15,36)	RS1/16S682J
	R 9102	(B,31,30)	RS1/16S222J	R 9174	(A,27,36)	RS1/16S682J
	R 9103	(B,18,29)	RS1/16S222J	R 9175	(A,15,39)	RS1/16S223J
	R 9104	(B,33,32)	RS1/16S222J	R 9176	(A,27,39)	RS1/16S223J
	R 9105	(B,24,34)	RS1/16S222J	R 9181	(B,46,29)	RS1/16S182J
	R 9106	(B,38,31)	RS1/16S222J	R 9182	(B,48,29)	RS1/16S182J
	R 9107	(B,25,30)	RS1/16S222J	R 9183	(B,53,26)	RS1/16S472J
	R 9108	(B,41,30)	RS1/16S222J	R 9184	(B,48,23)	RS1/16S472J
	R 9109	(B,20,27)	RS1/16S682J	R 9185	(B,53,24)	RS1/16S153J
	R 9110	(B,34,27)	RS1/16S682J	R 9186	(B,57,24)	RS1/16S153J
E	R 9111	(B,22,27)	RS1/16S682J	R 9187	(B,50,23)	RS1/16S472J
	R 9112	(B,38,27)	RS1/16S682J	R 9188	(A,49,27)	RS1/16S472J
	R 9113	(B,25,28)	RS1/16S682J	R 9189	(A,48,29)	RS1/16S153J
	R 9114	(B,41,28)	RS1/16S682J	R 9202	(B,17,66)	RS1/16S223J
	R 9115	(B,15,28)	RS1/16S682J	R 9204	(A,16,64)	RS1/16S393J
	R 9116	(B,31,28)	RS1/16S682J	R 9205	(B,17,71)	RS1/16S0R0J
	R 9117	(B,19,24)	RS1/16S223J	R 9206	(B,9,64)	RS1/16S0R0J
	R 9118	(B,34,24)	RS1/16S223J	R 9208	(B,12,69)	RS1/16S0R0J
	R 9119	(B,23,24)	RS1/16S223J	R 9210	(A,20,78)	RS1/16S681J
	R 9120	(B,38,24)	RS1/16S223J	R 9212	(A,17,78)	RS1/16S681J
	R 9121	(B,16,23)	RS1/16S682J	R 9214	(A,18,78)	RS1/16S681J
F	R 9122	(B,32,23)	RS1/16S682J	R 9252	(A,16,46)	RS1/16S393J
	R 9123	(B,25,23)	RS1/16S682J	R 9254	(B,12,63)	RS1/16S0R0J
	R 9124	(B,41,23)	RS1/16S682J	R 9255	(A,20,59)	RS1/16S681J
	R 9125	(A,16,26)	RS1/16S682J	R 9256	(A,17,59)	RS1/16S681J

<u>Circuit Symbol and No.</u>		<u>Part No.</u>
R 9257	(A,18,59)	RS1/16S681J
R 9259	(B,19,51)	RS1/16S0R0J
R 9301	(A,34,58)	RS1/16S471J
R 9302	(A,35,48)	RS1/16S471J
R 9303	(A,34,52)	RS1/16S471J
R 9304	(A,36,62)	RS1/16S471J
R 9305	(A,33,114)	RS1/16S471J
R 9306	(A,31,117)	RS1/16S471J
R 9307	(A,36,109)	RS1/16S471J
R 9308	(A,38,105)	RS1/16S471J
R 9321	(A,32,122)	RS1/16S103J
R 9357	(A,11,26)	RS1/16S103J
R 9401	(B,78,40)	RS1/16S390J
R 9402	(B,74,40)	RS1/16S390J
R 9403	(B,71,40)	RS1/16S390J
R 9404	(B,68,40)	RS1/16S390J
R 9405	(B,64,44)	RS1/16S390J
R 9406	(B,61,44)	RS1/16S390J
R 9407	(B,58,44)	RS1/16S390J
R 9408	(B,55,44)	RS1/16S390J
R 9409	(A,64,23)	RS1/16S103J
R 9410	(A,64,20)	RS1/16S103J
R 9411	(A,49,23)	RS1/16S103J
R 9412	(A,49,20)	RS1/16S103J
R 9413	(A,34,23)	RS1/16S103J
R 9414	(A,34,21)	RS1/16S103J
R 9415	(A,19,23)	RS1/16S103J
R 9416	(A,19,21)	RS1/16S103J
R 9417	(A,70,23)	RS1/16S103J
R 9418	(B,76,38)	RS1/16S390J
R 9419	(B,79,38)	RS1/16S390J
R 9420	(A,71,20)	RS1/16S103J
R 9421	(A,57,23)	RS1/16S103J
R 9422	(B,68,37)	RS1/16S390J
R 9423	(B,71,37)	RS1/16S390J
R 9424	(A,56,20)	RS1/16S103J
R 9425	(A,42,23)	RS1/16S103J
R 9426	(B,61,40)	RS1/16S390J
R 9427	(B,64,40)	RS1/16S390J
R 9428	(A,41,20)	RS1/16S103J
R 9429	(A,27,23)	RS1/16S103J
R 9430	(B,55,40)	RS1/16S390J
R 9431	(B,58,40)	RS1/16S390J
R 9432	(A,26,21)	RS1/16S103J
R 9433	(B,75,14)	RS1/16S223J
R 9434	(B,68,14)	RS1/16S223J
R 9435	(B,61,14)	RS1/16S223J
R 9436	(B,53,14)	RS1/16S223J
R 9437	(B,47,14)	RS1/16S223J
R 9438	(B,34,13)	RS1/16S223J
R 9439	(B,30,13)	RS1/16S223J
R 9440	(B,21,13)	RS1/16S223J
R 9441	(B,52,44)	RS1/16S390J
R 9442	(A,12,23)	RS1/16S103J
R 9443	(A,11,21)	RS1/16S103J
R 9444	(B,52,40)	RS1/16S390J
R 9445	(B,17,13)	RS1/16S223J
R 9451	(B,28,159)	RS1/16S681J
R 9452	(B,26,159)	RS1/16S681J
R 9453	(B,24,159)	RS1/16S681J

<u>Circuit Symbol and No.</u>		<u>Part No.</u>
R 9454	(B,22,159)	RS1/16S681J
R 9455	(A,19,142)	RS1/16S0R0J
<b><u>CAPACITORS</u></b>		
C 9001	(A,25,134)	CKSRYB104K25
C 9011	(B,75,131)	CKSRYB103K50
C 9012	(A,70,147)	CEVW100M16
C 9013	(B,78,124)	CKSRYB103K50
C 9022	(A,15,91)	CKSYB475K16
C 9023	(A,15,121)	CKSYB475K16
C 9024	(A,23,120) 47 $\mu$ F/16 V	CCH1716
C 9025	(A,15,96) 120 $\mu$ F/10 V	CCH1706
C 9026	(A,22,106)	CKSRYB473K50
C 9027	(A,26,106)	CKSRYB104K25
C 9028	(A,24,114)	CKSRYB104K25
C 9029	(B,22,104)	CCSRCH390J50
C 9030	(A,28,107)	CCSRCH121J50
C 9031	(A,28,110)	CKSRYB224K16
C 9032	(B,26,112)	CKSRYB102K50
C 9033	(A,22,112) 4.7 $\mu$ F	CCG1222
C 9034	(A,11,37) 10 $\mu$ F	CCG1182
C 9061	(A,20,153)	CEHVW330M16
C 9062	(B,26,142)	CKSRYB102K50
C 9101	(B,14,33)	CKSYB106K6R3
C 9102	(B,36,36)	CKSYB106K6R3
C 9103	(B,21,33)	CKSYB106K6R3
C 9104	(B,36,30)	CKSYB106K6R3
C 9105	(B,22,39)	CKSYB106K6R3
C 9106	(B,40,34)	CKSYB106K6R3
C 9107	(B,19,33)	CKSYB106K6R3
C 9108	(B,32,34)	CKSYB106K6R3
C 9109	(B,25,64)	CKSYB106K6R3
C 9110	(B,12,55)	CKSYB106K6R3
C 9111	(B,17,26)	CCSRCH221J50
C 9112	(B,31,26)	CCSRCH221J50
C 9113	(B,25,27)	CCSRCH221J50
C 9114	(B,41,26)	CCSRCH221J50
C 9115	(B,19,23)	CCSRCH560J50
C 9116	(B,34,22)	CCSRCH560J50
C 9117	(B,23,23)	CCSRCH560J50
C 9118	(B,38,22)	CCSRCH560J50
C 9119	(A,26,29)	CCSRCH560J50
C 9120	(A,40,29)	CCSRCH560J50
C 9121	(A,16,28)	CCSRCH560J50
C 9122	(A,31,29)	CCSRCH560J50
C 9123	(A,19,32)	CKSYB106K6R3
C 9124	(A,33,32)	CKSYB106K6R3
C 9125	(A,26,32)	CKSYB106K6R3
C 9126	(A,39,32)	CKSYB106K6R3
C 9141	(B,23,57)	CKSYB106K6R3
C 9142	(B,27,52)	CKSYB106K6R3
C 9145	(B,26,43)	CCSRCH221J50
C 9146	(B,30,43)	CCSRCH221J50
C 9147	(B,26,39)	CCSRCH560J50
C 9148	(B,29,37)	CCSRCH560J50
C 9149	(A,31,39)	CCSRCH560J50
C 9150	(A,40,38)	CCSRCH560J50
C 9151	(A,31,42)	CKSYB106K6R3
C 9152	(A,37,45)	CKSYB106K6R3

**Circuit Symbol and No.****Part No.****Circuit Symbol and No.****Part No.**

A	C 9153	(B,26,58)	CKSYB106K6R3	C 9403	(B,71,45)	CKSYB106K10
	C 9161	(B,9,55)	CKSYB106K6R3	C 9404	(B,68,45)	CKSYB106K10
	C 9162	(B,17,55)	CKSYB106K6R3	C 9405	(B,64,49)	CKSYB106K10
	C 9165	(B,10,43)	CCSRCH221J50	C 9406	(B,61,49)	CKSYB106K10
	C 9166	(B,14,43)	CCSRCH221J50	C 9407	(B,58,49)	CKSYB106K10
	C 9167	(B,13,39)	CCSRCH560J50	C 9408	(B,55,49)	CKSYB106K10
	C 9168	(B,17,39)	CCSRCH560J50	C 9409	(B,73,14)	CKSRYB102K50
	C 9169	(A,16,39)	CCSRCH560J50	C 9410	(B,66,14)	CKSRYB102K50
	C 9170	(A,26,39)	CCSRCH560J50	C 9411	(B,59,14)	CKSRYB102K50
	C 9171	(A,19,42)	CKSYB106K6R3	C 9412	(B,51,14)	CKSRYB102K50
	C 9172	(A,25,42)	CKSYB106K6R3	C 9413	(B,45,14)	CKSRYB102K50
	C 9173	(B,14,55)	CKSYB106K6R3	C 9414	(B,32,13)	CKSRYB102K50
	C 9181	(B,45,37)	CKSYB106K6R3	C 9415	(B,28,13)	CKSRYB102K50
B	C 9182	(B,45,34)	CKSYB106K6R3	C 9416	(B,19,13)	CKSRYB102K50
	C 9184	(B,49,27)	CCSRCH561J50	C 9441	(B,52,49)	CKSYB106K10
	C 9185	(B,53,23)	CCSRCH151J50	C 9442	(B,15,13)	CKSRYB102K50
	C 9186	(B,57,23)	CCSRCH151J50	C 9443	(B,60,9)	CKSRYB104K25
	C 9187	(A,50,29)	CCSRCH151J50	C 9444	(B,38,9)	CKSRYB104K25
	C 9188	(A,46,29)	CKSYB106K6R3	C 9445	(B,16,9)	CKSRYB104K25
	C 9189	(A,12,39) 10 $\mu$ F	CCG1182	C 9446	(B,74,9)	CKSRYB104K25
	C 9201	(B,21,63)	CKSRYB105K10	C 9447	(B,52,9)	CKSRYB104K25
	C 9202	(B,19,65)	CKSRYB105K10	C 9451	(A,10,138)	CKSQYB106K6R3
	C 9203	(A,12,77)	CEVW470M10			
	C 9204	(A,12,66)	CEVW470M10			
C	C 9205	(B,12,67)	CKSRYB104K25			
	C 9206	(A,16,67)	CKSRYB104K16			
	C 9210	(A,16,70)	CKSRYB104K16			
	C 9251	(A,12,45)	CEVW470M10			
	C 9252	(A,16,49)	CKSRYB104K16			
	C 9253	(B,12,65)	CKSRYB104K25			
	C 9254	(A,16,52)	CKSRYB104K16			
	C 9255	(A,12,56)	CEVW470M10			
	C 9301	(A,39,53)	CKSRYB105K10			
	C 9302	(A,39,57)	CKSRYB105K10			
	C 9303	(A,39,56)	CKSRYB105K10			
D	C 9304	(A,39,51)	CKSRYB105K10			
	C 9305	(A,35,56)	CKSRYB105K10			
	C 9306	(A,36,49)	CKSRYB105K10			
	C 9307	(A,36,52)	CKSRYB105K10			
	C 9308	(A,37,59)	CKSRYB105K10			
	C 9309	(A,38,118)	CKSRYB105K10			
	C 9310	(A,38,120)	CKSRYB105K10			
	C 9311	(A,34,118)	CKSRYB105K10			
	C 9312	(A,34,120)	CKSRYB105K10			
	C 9313	(A,38,115)	CKSRYB105K10			
E	C 9314	(A,38,112)	CKSRYB105K10			
	C 9315	(A,36,112)	CKSRYB105K10			
	C 9316	(A,38,108)	CKSRYB105K10			
	C 9321	(A,38,66)	CEVW100M16			
	C 9322	(B,48,40)	CKSYB475K16			
	C 9323	(B,42,40)	CKSYB475K16			
	C 9324	(B,49,62)	CKSRYB104K25			
	C 9325	(A,29,87) 3 300 $\mu$ F/16 V	CCH1583			
	C 9327	(B,48,124)	CKSRYB104K25			
	C 9328	(A,37,125)	CEVW100M16			
	C 9329	(A,31,144) 3 300 $\mu$ F/16 V	CCH1583			
F	C 9330	(B,48,102)	CKSYB475K16			
	C 9331	(B,42,102)	CKSYB475K16			
	C 9401	(B,78,45)	CKSYB106K10			
	C 9402	(B,74,45)	CKSYB106K10			

**K****Unit Number : CZW5027****Unit Name : Main PCB Unit****MISCELLANEOUS**

IC 101	IC	BA00CC0WFP
IC 102	IC	BA6247FP
IC 103	Photo-interrupter	GP2L24B
IC 104	IC	TC7W14FU
IC 105	Photo-interrupter	GP2L24B
Q 101	Transistor	DTC124EUA
D 101	Diode	UDZS5R6(B)

**RESISTORS**

R 101	RS1/16S102J
R 102	RS1/16S3302D
R 103	RS1/16S3900D
R 104	RS1/16S4701D
R 105	RS1/16S471J
R 106	RS1/16S102J
R 107	RS1/16S102J
R 108	RS1/16S102J
R 109	RS1/16S102J
R 110	RS1/16S102J
R 111	RS1/16S562J
R 112	RS1/16S102J
R 113	RS1/16S102J
R 114	RS1/16S102J
R 115	RS1/16S562J
R 116	RS1/16S102J
R 117	RS1/16S472J

**CAPACITORS**

C 101	CKSYB475K16
C 102	CKSYB475K16

**Circuit Symbol and No.****Part No.**

C 103	CKSRYB104K16
C 104	CKSRYB104K16
C 105	CKSRYB223K16
C 106	CKSRYB104K16
C 107	CKSRYB223K16
C 108	CEVW101M16
C 109	CKSRYB104K16
C 110	CCSRCH102J50
C 111	CCSRCH102J50

**L****Unit Number : CZW5029****Unit Name : Switch PCB Unit**

S 101	Switch(Angel sw)	CSN1068
-------	------------------	---------

**M****Unit Number : CZW5028****Unit Name : Volume PCB Unit**

VR101	Volume(Angel sense)	CCW1025
-------	---------------------	---------

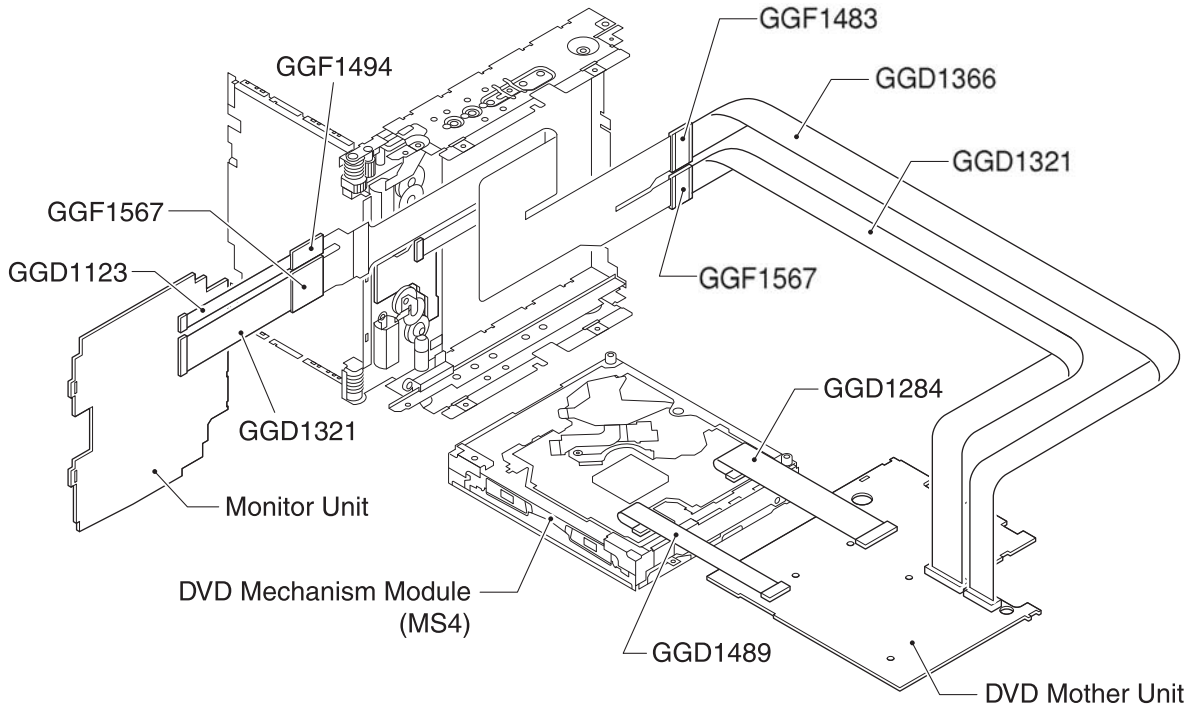
**Miscellaneous Parts List**

	Pickup Unit(Service)	GXX1268
M 1	Motor Unit(LOADING)	CXC4912
M 2	Motor Unit(CARRIAGE)	CXC4980
M 3	Motor(SPINDLE)	CXM1322

# 6. ADJUSTMENT

## 6.1 JIG CONNECTIONS

A  
B  
C  
D  
E  
F

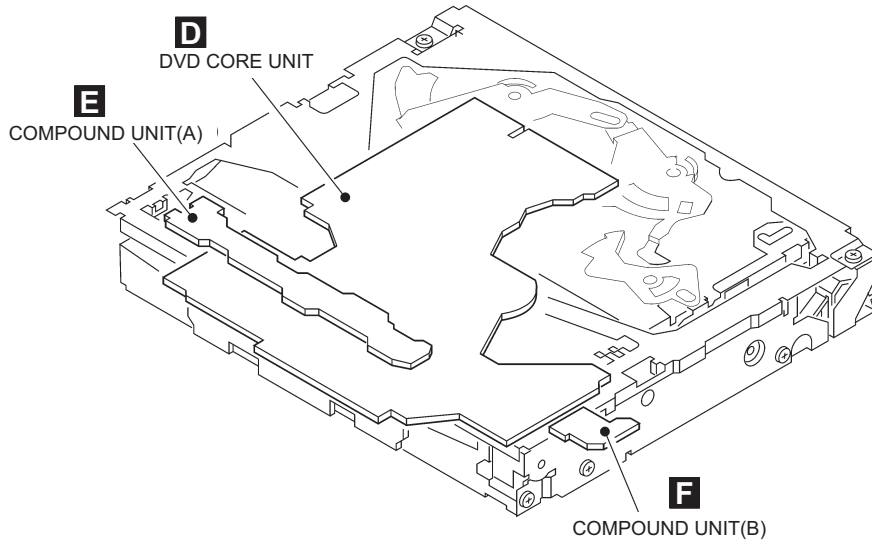
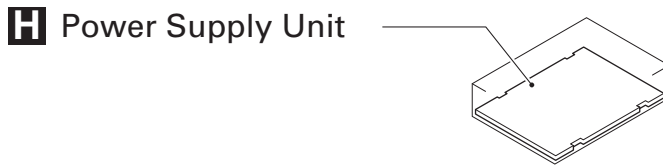
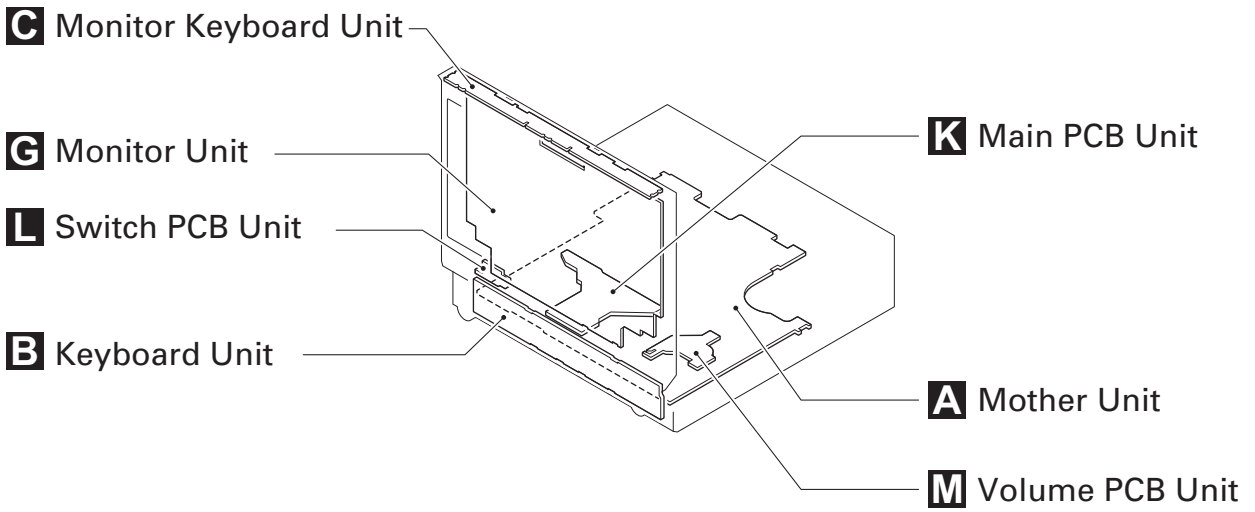
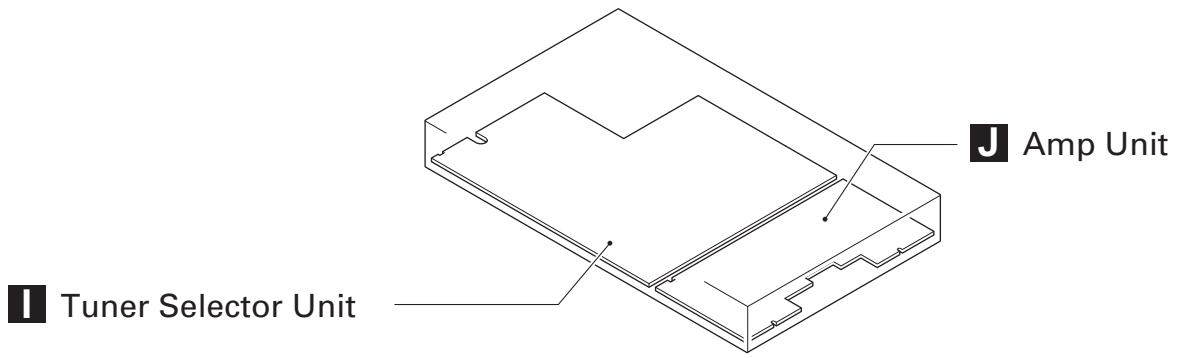


### ● Jigs List

Name	Jig No.	Remarks
Extension Cord	GGD1489	DVD Mother Unit <=> DVD Mechanism Module
Extension Cord	GGD1284	DVD Mother Unit <=> DVD Mechanism Module
Extension Cord	GGD1321	DVD Mother Unit <=> Monitor Unit
Extension Cord	GGD1366	DVD Mother Unit <=> Monitor Unit
Extension Cord	GGD1123	DVD Mother Unit <=> Monitor Unit
Extension Cord	GGD1321	DVD Mother Unit <=> Monitor Unit
Relay PCB	GGF1567	DVD Mother Unit <=> Monitor Unit
Relay PCB	GGF1483	DVD Mother Unit <=> Monitor Unit
Relay PCB	GGF1494	DVD Mother Unit <=> Monitor Unit
Relay PCB	GGF1567	DVD Mother Unit <=> Monitor Unit

5 6 7 8

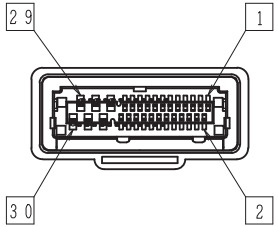
## 7.1.2 PCB LOCATIONS



# 7.1.3 CONNECTOR FUNCTION DESCRIPTION

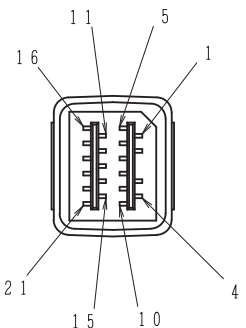
A

- 1.SY -> AM FLM
- 2.AM -> SY L
- 3.SY -> AM FAGND
- 4.AM -> SY AGND
- 5.SY -> AM FRM
- 6.AM -> SY R
- 7.SY -> AM RR
- 8.SY -> AM R
- 9.SY -> AM RAGND
- 10.SY -> AM AGND
- 11.SY -> AM RL
- 12.SY -> AM L
- 13.SY -> AM SW
- 14.SY -> AM FLH
- 15.SY -> AM SWGND
- 16.TXEVOL
- 17.SY -> AM C
- 18.SY -> AM FRH
- 19.SY -> AM CB
- 20.HASENS
- 21.NC
- 22.EVOLCLK
- 23.EVOLCS1
- 24.EVOLCS2
- 25.GUIDE+
- 26.GUIDE-
- 27.SY -> AM FRAGND
- 28.SY -> AM CAGND
- 29.NC
- 30.NC



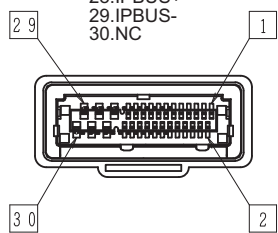
B

- 1.DGND
- 2.DALMON
- 3.DD6V
- 4.DGND
- 5.MSVD8
- 6.MSVD8
- 7.MSVCC5
- 8.DD2V
- 9.DDCCTL
- 10.REG48V
- 11.MSVD8
- 12.MSVCC5
- 13.NC
- 14.DD2V
- 15.VIDEO9V
- 16.PGND
- 17.VDCONT
- 18.BSEN
- 19.EEPROM
- 20.SYSPW
- 21.VDD54V

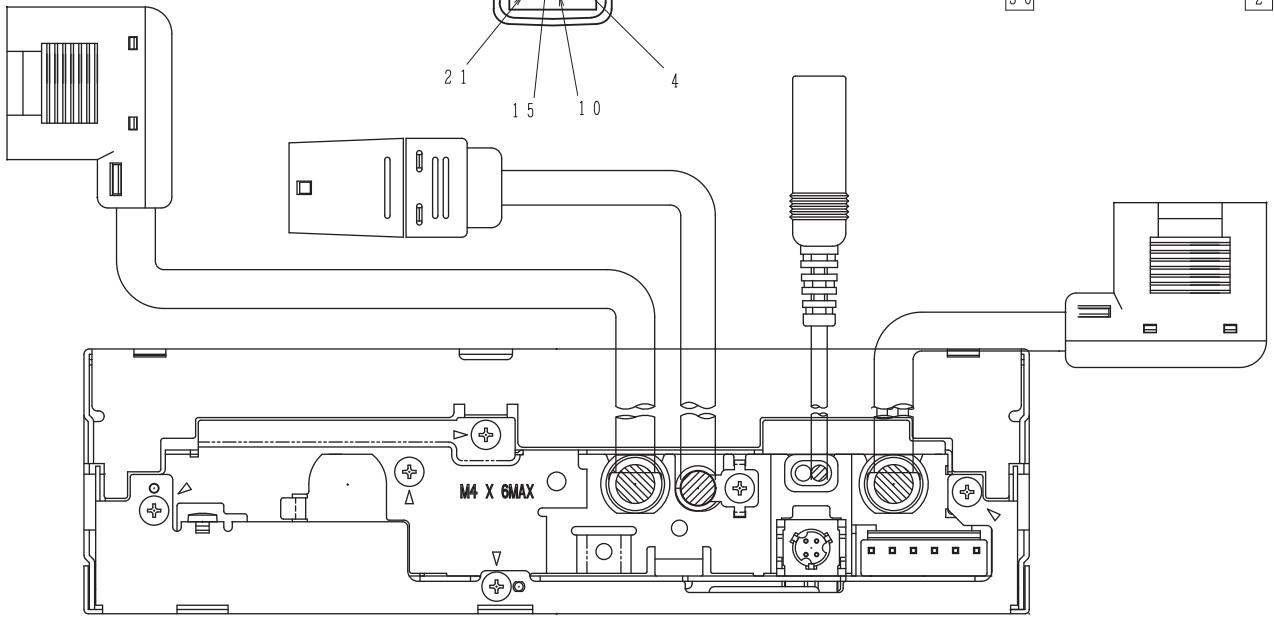


AUX/MIC IN  
Mini Mini JACK

- 1.TN -> SY COMPG
- 2.TN -> SY COMP
- 3.SY -> TN COMPG
- 4.SY -> TN COMP
- 5.TN -> SY GND
- 6.TN -> SY ISDB Cr
- 7.SY -> TN GNDV
- 8.TN -> SY ISDB Cb
- 9.TN -> SY GNDV
- 10.TN -> SY ISDB Y
- 11.SY -> TN GNDV
- 12.SY -> TN MS4Cr
- 13.SY -> TN GNDV
- 14.SY -> TN MS4 Cb
- 15.SY -> TN GNDV
- 16.SY -> TN MS4 Y
- 17.SYSPW
- 18.TUNACT
- 19.HASENS
- 20.ASENBO
- 21.REMUTE
- 22.ASENTO
- 23.TVRESET
- 24.AMPMUTE
- 25.T -> S\_TX
- 26.S -> T\_RX
- 27.HAREM
- 28.IPBUS+
- 29.IPBUS-
- 30.NC



C



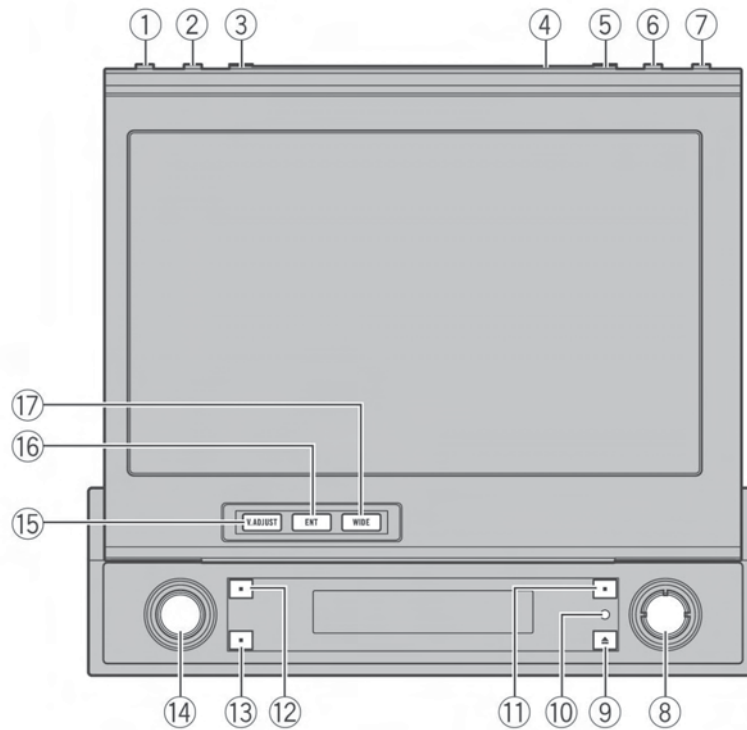
D

E

- OPT IN
- 1 A.ANT
  - 2 TELIN
  - 3 ILM
  - 4 ACC
  - 5 B.U
  - 6 GND

F

# 8. OPERATIONS



## Head unit

### ① DISPLAY button

Press to turn the information display on or off when the video is displayed.

### ② MEMO button

Press and hold to store the information of the song you are listening to. Press to switch to a station broadcasting the memorized song.

- You can use this button only when connecting an XM satellite digital tuner or SIRIUS Satellite Radio tuner.

### ③ FLIP DOWN button

Press to turn the LCD panel horizontal temporarily from upright position.

### ④ Ambient light sensor

Senses ambient light. This system automatically adjusts the brightness of the display to compensate for ambient light.

### ⑤ OPEN/CLOSE button

Press to open or close the LCD panel.

### ⑥ BAND/ESC button

Press to select among three FM bands and to cancel the control mode of functions.

### ⑦ ATT button


Press to quickly lower the volume level, by about 90%. Press once more to return to the original volume level.

### ⑧ Joystick

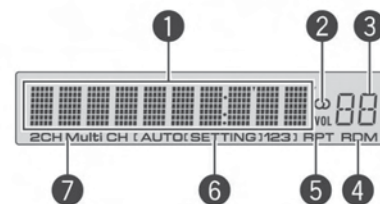
Move to perform manual seek tuning, fast forward, reverse and track search controls. Also used for controlling functions.


### ⑨ EJECT button

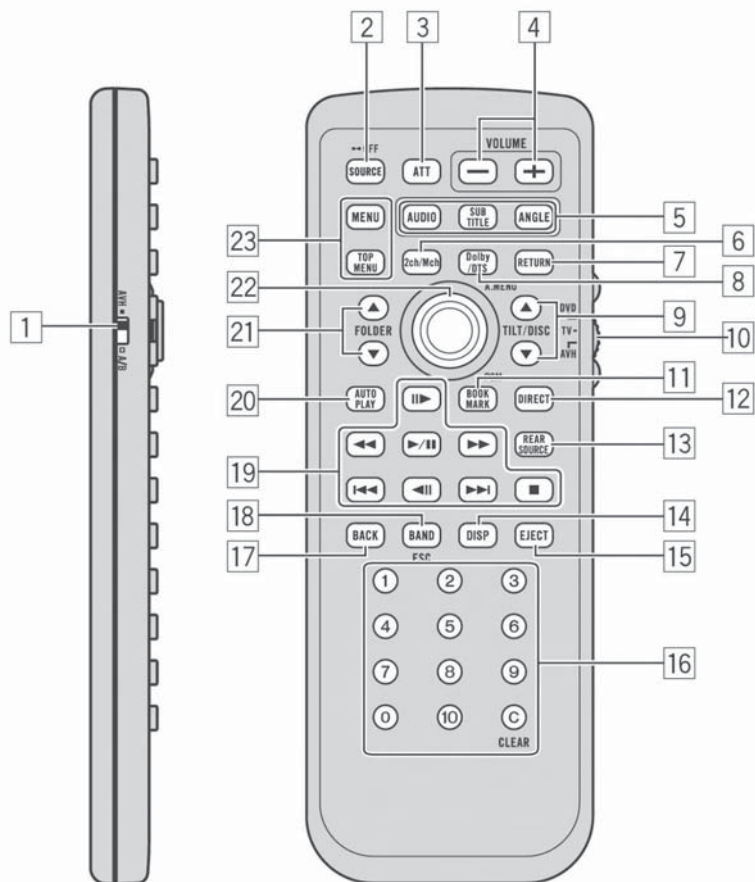
Press to eject a disc from this unit. Press and hold to open or close the front panel.

- ⑩ **RESET button**  
Press to return to the factory settings (initial settings).
- ⑪ **SOUND SETTING button**  
Press to select the sound setting.
- ⑫ **REAR ON button**  
Press to switch between the video sources (such as **DVD** or **AV**) on rear display.
- ⑬ **2ch/MULTI-CH button**  
Press to switch between the multi-channel output and 2-channel output.  
Press and hold to switch between the displays on the sub-display.
- ⑭ **SOURCE button, VOLUME**  
This unit is turned on by selecting a source.  
Press to cycle through all the available sources.  
Rotate it to increase or decrease the volume.
- ⑮ **V.AJUST button**  
Press to display the picture adjustment menu.
- ⑯ **ENTERTAINMENT button**  
Press to display the entertainment menu.
- ⑰ **WIDE button**  
Press to select a desired mode for enlarging a 4:3 picture to a 16:9 one. 

## Sub-display



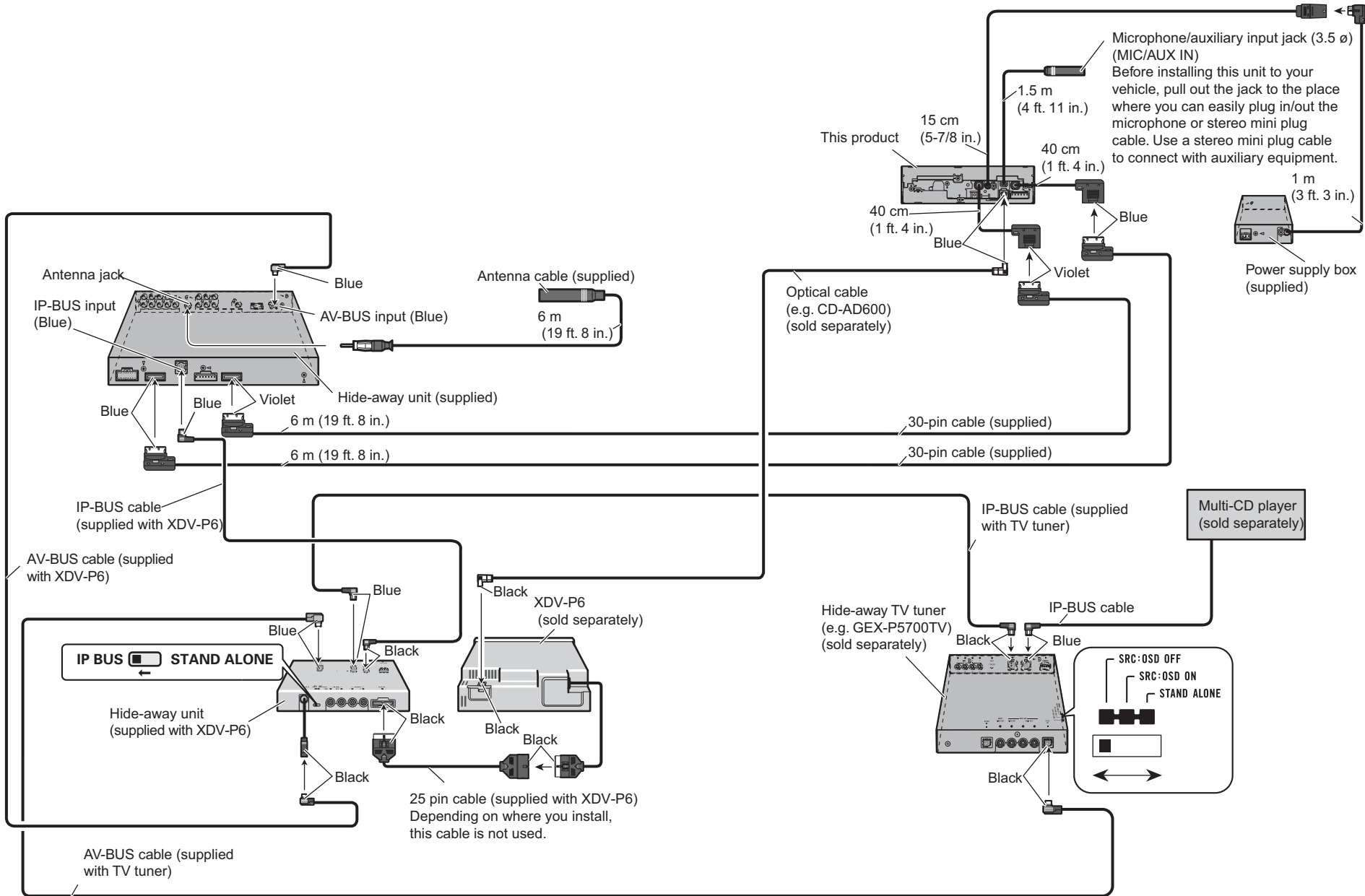
- ① **Source display**  
Shows the status of selected source.
- ② **Stereo (Ⓢ) indicator**  
Shows when the selected frequency is being broadcast in stereo.
- ③ **Volume level indicator**  
Shows the value of current volume level.
- ④ **RDM indicator**  
Shows when random play is turned on.
- ⑤ **RPT indicator**  
Shows when repeat play is turned on.
- ⑥ **Sound setting indicator**  
Shows what the sound setting has been selected.
- ⑦ **Output setting indicator**  
Shows what the output setting has been selected. 



## Remote control

	Button names	AVH mode	DVD mode with remote control code AVH
1	Remote control selection switch	Switch to change the setting of the remote control. For details, refer to <i>Setting remote control code type</i> .	
2	<b>SOURCE</b> button	Press to cycle through all the available sources. Press and hold to turn the source off.	
3	<b>ATT</b> button	Press to quickly lower the volume level, by about 90%. Press once more to return to the original volume level.	
4	<b>VOLUME</b> buttons	Press to increase or decrease the volume.	
5	<b>AUDIO</b> button	Press to change the audio language during DVD playback.	
	<b>SUBTITLE</b> button	Press to change the subtitle language during DVD playback.	
	<b>ANGLE</b> button	Press to change the viewing angle during DVD playback.	

CONNECTION DIAGRAM



## ● Jigs List

Name	Jig No.	Remarks
Extension Cord	GGD1489	DVD Mother Unit <=> DVD Mechanism Module
Extension Cord	GGD1284	DVD Mother Unit <=> DVD Mechanism Module
Extension Cord	GGD1321	DVD Mother Unit <=> Monitor Unit
Extension Cord	GGD1366	DVD Mother Unit <=> Monitor Unit
Extension Cord	GGD1123	DVD Mother Unit <=> Monitor Unit
Extension Cord	GGD1321	DVD Mother Unit <=> Monitor Unit
Relay PCB	GGF1567	DVD Mother Unit <=> Monitor Unit
Relay PCB	GGF1483	DVD Mother Unit <=> Monitor Unit
Relay PCB	GGF1494	DVD Mother Unit <=> Monitor Unit
Relay PCB	GGF1567	DVD Mother Unit <=> Monitor Unit

## ● Grease List

Name	Jig No.	Remarks
Grease	GEM1024	DVD Mechanism Module and Chassis
Grease	GEM1043	DVD Mechanism Module and Chassis
Grease	GEM1045	DVD Mechanism Module
Grease	GEM1050	DVD Mechanism Module
Locking agents	1401M	DVD Mechanism Module (1401M:produced by THREE BOND)
Grease	GEM1011	Chassis
Grease	GEM1047	Chassis
Grease	GEM1071	Chassis
Grease	GEM1072	Chassis
Grease	GEM1070	Chassis



Before shipping out the product, be sure to clean the following portions by using the prescribed cleaning tools:

Portions to be cleaned	Cleaning tools
DVD pickup lenses	Cleaning liquid : GEM1004 Cleaning paper : GED-008

Portions to be cleaned	Cleaning tools
Fans	Cleaning paper : GED-008