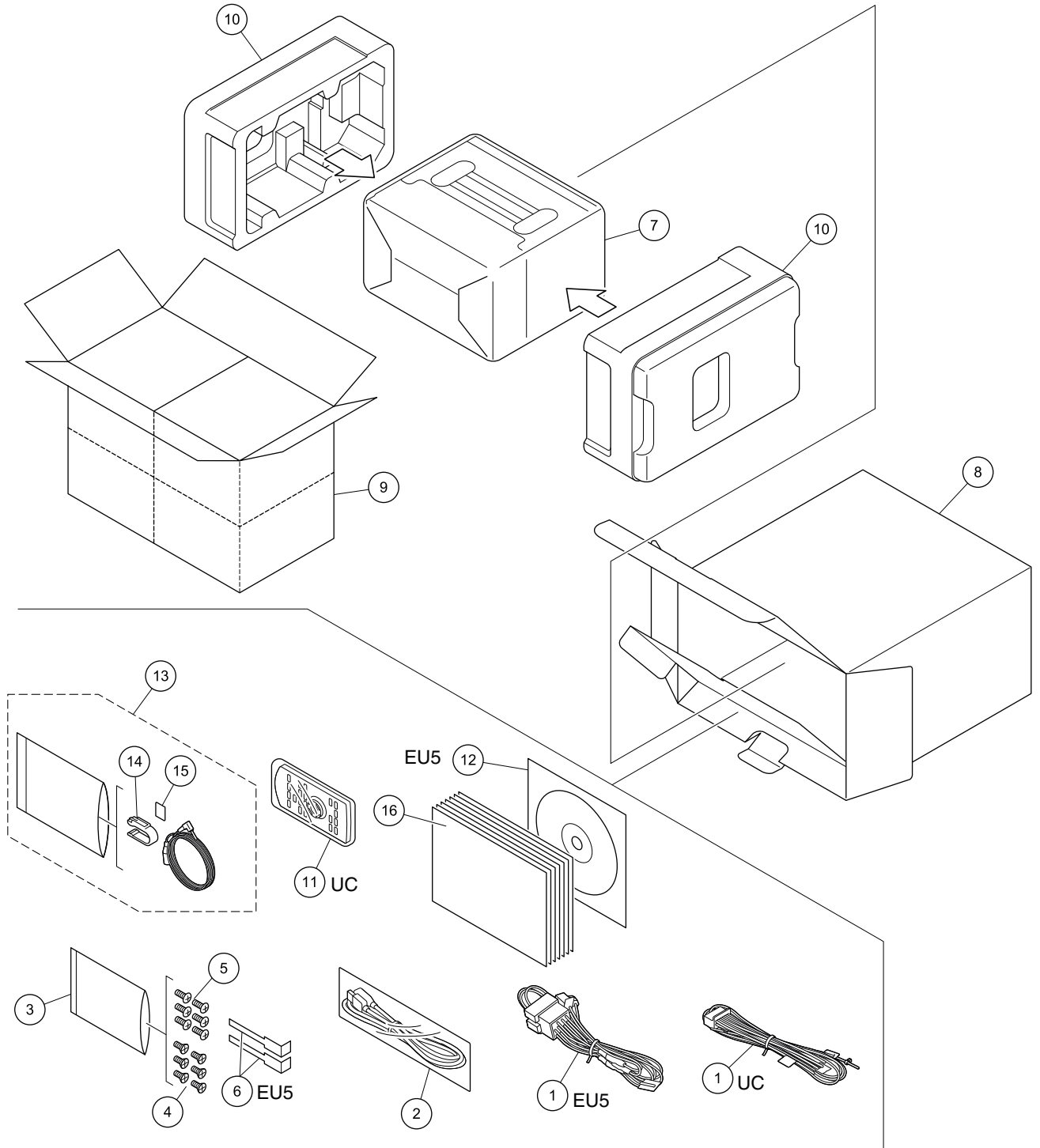


9. EXPLODED VIEWS AND PARTS LIST

- NOTES :**
- Parts marked by "*" are generally unavailable because they are not in our Master Spare Parts List.
 - The \triangle mark found on some component parts indicates the importance of the safety factor of the part. Therefore, when replacing, be sure to use parts of identical designation.
 - Screw adjacent to ∇ mark on the product are used for disassembly.
 - For the applying amount of lubricants or glue, follow the instructions in this manual.
(In the case of no amount instructions, apply as you think it appropriate.)

9.1 PACKING



(1) PACKING SECTION PARTS LIST

Mark No.	Description	Part No.	Mark No.	Description	Part No.
1	Cord Assy	See Contrast table (2)	12	IM CD-ROM	See Contrast table (2)
2	USB Extended Cable	CDP1587	13	Microphone Assy	CPM1083
3	Polyethylene Bag	CEG1160	14	Holder	CZN7192
4	Screw	CBA2383	15	Cushion	CZN7193
5	Screw	CBA2384			
6	Handle	See Contrast table (2)	16-1	Owner's Manual	See Contrast table (2)
7	Cover	See Contrast table (2)	16-2	Quick Start Guide	See Contrast table (2)
8	Unit Box	See Contrast table (2)	16-3	Installation Manual	See Contrast table (2)
9	Contain Box	See Contrast table (2)	*	16-4 Caution Card	See Contrast table (2)
10	Protector	See Contrast table (2)	*	16-5 Caution Card	See Contrast table (2)
			*	16-6 Warranty Card	See Contrast table (2)
11	Card Remote Control Unit	See Contrast table (2)			

(2) CONTRAST TABLE

AVH-X3800BHS/XNUC and AVH-X3800DAB/XNEU5 are constructed the same except for the following:

Mark	No.	Description	AVH-X3800BHS/XNUC	AVH-X3800DAB/XNEU5
	1	Cord Assy	CDP1665	CDP1670
	6	Handle	Not used	CND6289
	7	Cover	CEG1359	CEG1356
	8	Unit Box	CHG9127	CHG9137
	9	Contain Box	CHL9127	CHL9137
	10	Protector	CHP4598	CHP4599
	11	Card Remote Control Unit	CXE5116	Not used
	12	IM CD-ROM	Not used	CRI1002
	16-1	Owner's Manual	CRD4924	Not used
	16-2	Quick Start Guide	Not used	CRD4822
	16-3	Installation Manual	Not used	CRD4823
*	16-4	Caution Card	Not used	CRP1441
*	16-5	Caution Card	Not used	CRP1481
*	16-6	Warranty Card	QRY3001	CRY1376

Owner's Manual, Installation Manual

Pats No.	Language
CRD4922	English, French, Italian, Spanish(Espanol), German, Dutch
CRD4923	English, French, Italian, Spanish(Espanol), German, Dutch
CRD4924	English, French, Spanish(Espanol)
CRD4926	English, Spanish(Espanol), Portuguese(B)

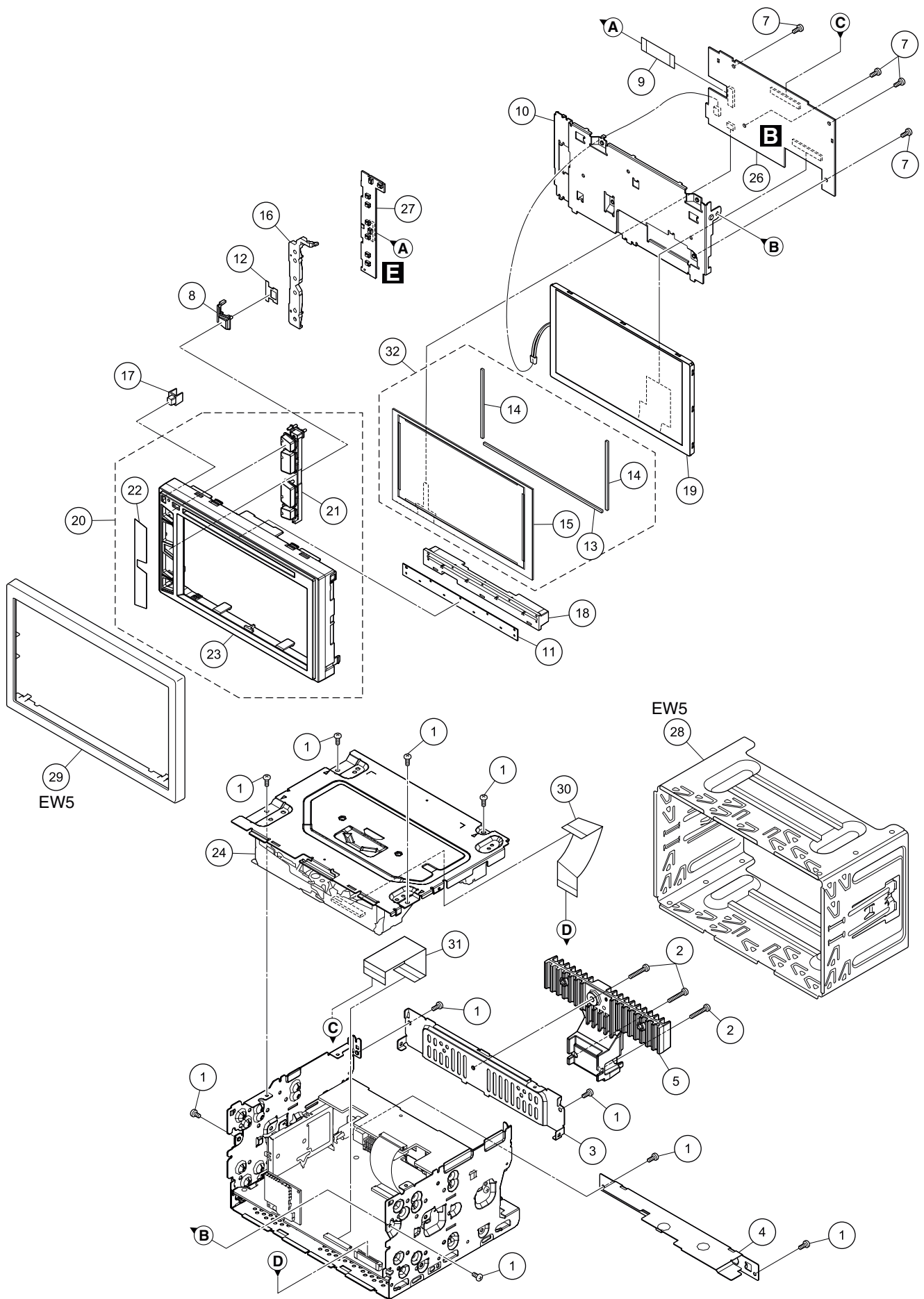
CONTENTS OF CD-ROM (Operation Manual), CPJ1484

Pats No.	Language
*CRB4721	English
*CRB4722	French
*CRB4723	Italian
*CRB4724	Spanish(Espanol)
*CRB4725	German
*CRB4726	Dutch
*CRB4727	Swedish
*CRB4728	Norwegian
*CRB4729	Finnish
*CRB4730	Danish
*CRB4731	Portuguese
*CRB4732	Greek
*CRB4733	Turkish

All operation manuals are supplied in PDF files by the CD-ROM.
Regarding the availability of paper manual, contact Pioneer Service representative in your region.

5 6 7 8

9.2 EXTERIOR(1)



(1) EXTERIOR(1) SECTION PARTS LIST

<u>Mark No.</u>	<u>Description</u>	<u>Part No.</u>	<u>Mark No.</u>	<u>Description</u>	<u>Part No.</u>
1	Screw	BSZ26P060FTC	17	Lighting Conductor	CNW3303
2	Screw	BSZ26P120FTC	18	Holder	CNW3304
3	Holder	CND7211	19	TFT LCD	CWX4348
4	Holder	CND7212	20	Grille Assy	See Contrast table (2)
5	Heat Sink	CNR2170	21	Button	CAI4447
6		22	Plate	CNN4856
7	Screw	BSZ26P060FTC	23	Grille	See Contrast table (2)
8	Button (HOME)	CAI4448	24	DVD Mechanism Module (LS2.5)CXX8100	
9	FFC	CDE9768	25	
10	Holder	CND7198	26	Service Unit (Monitor)	See Contrast table (2)
11	Cover	CNN4865	27	Service Unit (Keyboard)	CXX8416
12	Sheet	CNN4864	28	Holder	See Contrast table (2)
13	Cushion	CNN4273	29	Panel	See Contrast table (2)
14	Cushion	CNN4964	30	FFC	CDD1069
15	Touch Panel	CSX1273	31	FFC	CDD1071
16	Lighting Conductor	CNW3302	32	Touch Panel Unit	CXE8371

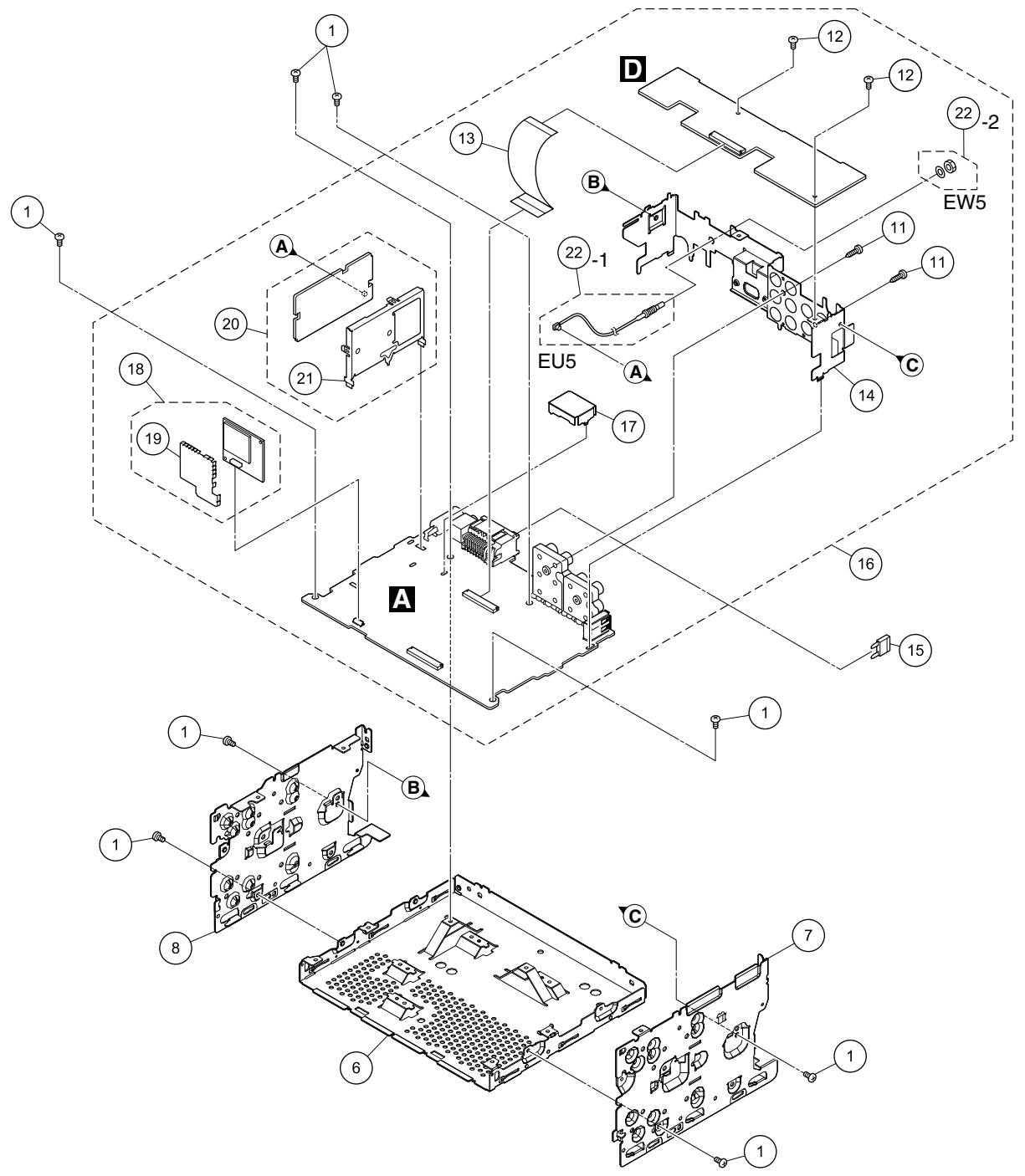
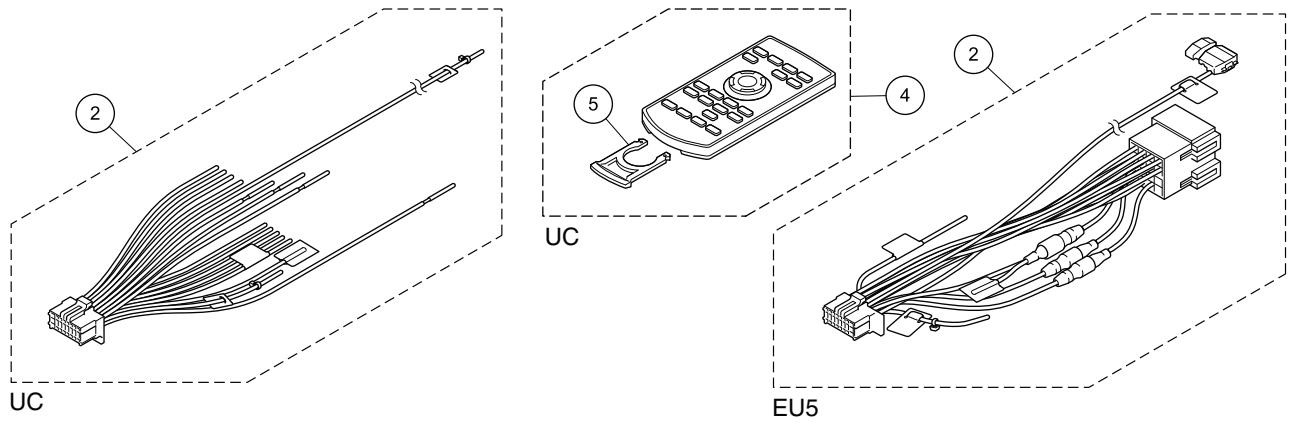
(2) CONTRAST TABLE

AVH-X3800BHS/XNUC and AVH-X3800DAB/XNEU5 are constructed the same except for the following:

<u>Mark</u>	<u>No.</u>	<u>Description</u>	<u>AVH-X3800BHS/XNUC</u>	<u>AVH-X3800DAB/XNEU5</u>
	20	Grille Assy	CXE8857	CXE8858
	23	Grille	CNU3428	CNU3429
	26	Service Unit (Monitor)	CXX8381	CXX8383
	28	Holder	Not used	CND7102
	29	Panel	Not used	CNU2645

5 6 7 8

9.3 EXTERIOR(2)



(1) EXTERIOR(2) SECTION PARTS LIST

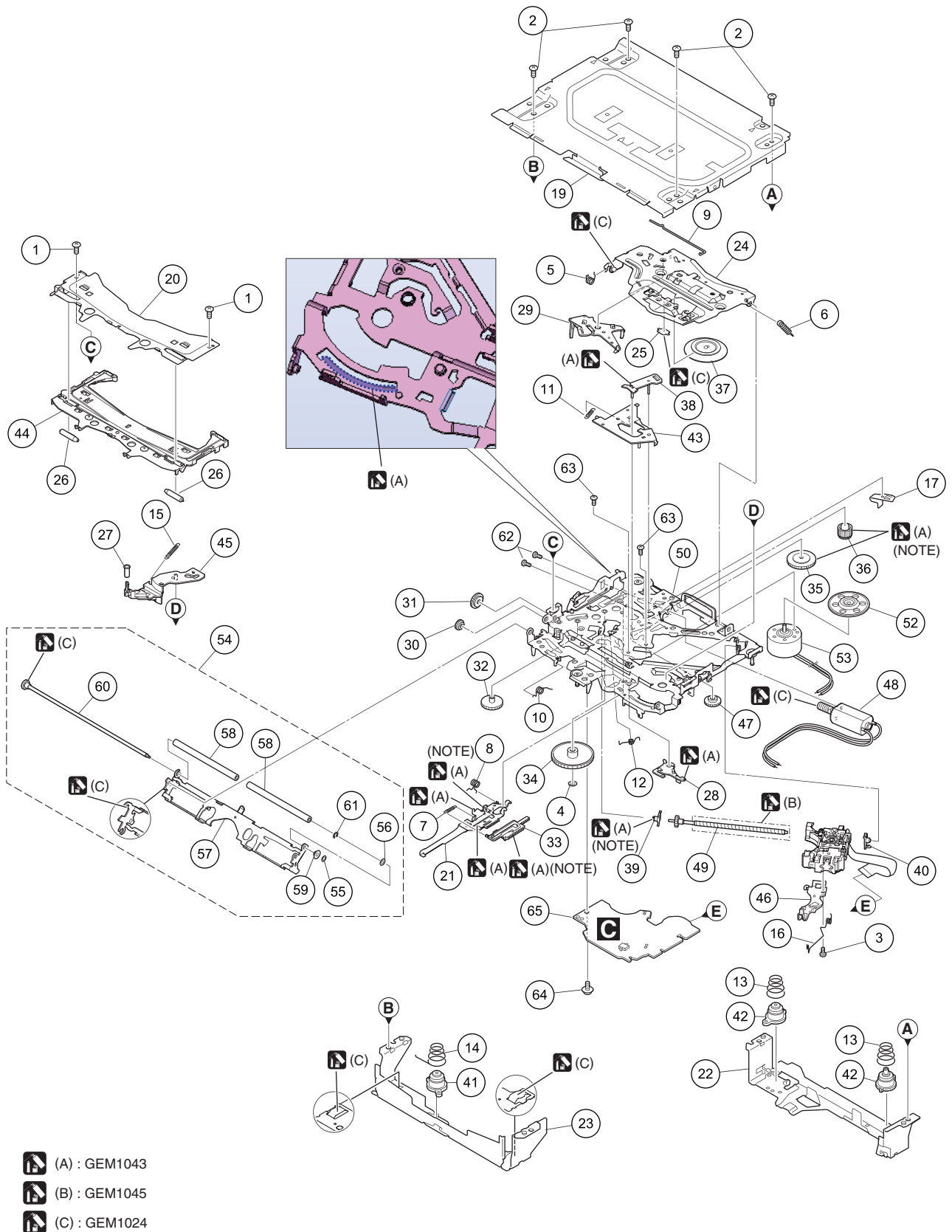
Mark No.	Description	Part No.	Mark No.	Description	Part No.
1	Screw	BSZ26P060FTC	12	Screw	BSZ26P060FTC
2	Cord Assy	See Contrast table (2)	13	FFC	CDE9766
3		14	Holder	See Contrast table (2)
4	Card Remote Control Unit	See Contrast table (2)	△ 15	Fuse (10 A)	YEK5001
5	Battery Cover	See Contrast table (2)			
6	Chassis	CNA3310	16	Service Unit (Mother I/F)	See Contrast table (2)
7	Bracket	CND6985	17	Shield Case	CND7210
8	Bracket	CND6986	18	BT Module	CWX4774
9		19	Shield Case	YNC5123
10		20	BE Core Unit (U2101)	See Contrast table (2)
			21	Holder	CND7288
11	Screw	BPZ26P080FTC	22	Antenna Cable Assy	See Contrast table (2)

(2) CONTRAST TABLE

AVH-X3800BHS/XNUC and AVH-X3800DAB/XNEU5 are constructed the same except for the following:

Mark	No.	Description	AVH-X3800BHS/XNUC	AVH-X3800DAB/XNEU5
	2	Cord Assy	CDP1665	CDP1670
	4	Card Remote Control Unit	CXE5116	Not used
	5	Battery Cover	CNU1624	Not used
	14	Holder	CND7541	CND7201
	16	Service Unit (Mother I/F)	CXX8367	CXX8368
	20	BE Core Unit (U2101)	CWE2518	CWE2534 (WWR Tuner Unit)
	22	Antenna Cable Assy	Not used	CXE7975

9.4 DVD MECHANISM MODULE(1)



DVD MECHANISM MODULE(1) SECTION PARTS LIST

Mark No.	Description	Part No.	Mark No.	Description	Part No.
	1 Screw	BSZ20P040FTC	50	Chassis Unit	CXE8407
A	2 Screw	BSZ26P060FTC			
	3 Screw (M2 x 4)	CBA1835	51	*****	
	4 Washer	CBF1038	*	52 Support Wheel	CNW2052
	5 Spring	CBH2855	*	53 Spindle Motor	EXM2002
				54 Arm Assy	CXE7890
	6 Spring	CBH2860		55 Washer	CBF1037
	7 Spring	CBH3010			
	8 Spring	CBH3011	56	Washer	CBF1038
	9 Spring	CBH3014	57	Arm	CND6779
	10 Spring	CBH3015	58	Roller	CNW2500
B	11 Spring	CBH3016	59	Collar	CNW2444
	12 Spring	CBH3017	60	Gear Unit	CXE6225
	13 Spring	CBH3019	61	Washer	YE15FTC
	14 Spring	CBH3086	62	Screw	JFZ20P025FTC
	15 Spring	CBH3095	63	Screw	JGZ17P020FTC
			64	Screw (M2 x 5)	EBA1028
	16 Spring	CBH3096	65	DVD Core Unit	CWX4609
	17 Plate Spring	CBL1824			
	18 *****				
	19 Case	CNB3928			
C	20 Bracket	CND4553			
	21 Lever	CND7225			
	22 Bracket	CND5710			
	23 Bracket	CND6127			
	24 Arm	CND7224			
	25 Sheet	CNN3678			
	26 Roller	CNW1172			
	27 Roller	CNW1175			
	28 Arm	CNW1177			
D	29 Arm	CNW1178			
	30 Gear	CNW1180			
	31 Gear	CNW1181			
	32 Gear	CNW1183			
	33 Rack	CNW1184			
	34 Gear	CNW1185			
	35 Gear	CNW1186			
	36 Gear	CNW1187			
	37 Clamper	CNW1190			
E	38 Arm	CNW1192			
	39 Holder	CNW1193			
	40 Holder	CNW1194			
	41 Damper	CNW2439			
	42 Damper	CNW2440			
	43 Arm	CNW1726			
	44 Guide	CNW3489			
	45 Arm	CNW2241			
	46 Rack	CNW2265			
F	47 Gear	CNW2287			
	48 Motor Unit	CXC4026			
	49 Screw Unit	CXC8894			

Pickup, Spindle Motor and Support Wheel are not available as service parts, because they need adjustment by special equipment after replacing.

12. ELECTRICAL PARTS LIST

NOTE:

- Parts whose parts numbers are omitted are subject to being not supplied.
- The part numbers shown below indicate chip components.

Chip Resistor

RS1/○S○○○○J,RS1/○○S○○○○J

Chip Capacitor (except for CQS.....)

CKS....., CCS....., CSZS.....

- The \triangle mark found on some component parts indicates the importance of the safety factor of the part. Therefore, when replacing, be sure to use parts of identical designation.
- Meaning of the figures and others in the parentheses in the parts list.

Example) IC 301 is on the point (face A, 91 of x-axis, and 111 of y-axis) of the corresponding PC board.

IC 301 (A, 91, 111) IC NJM2068V

- The expression of the unit in this manual is shown by μ instead of μ . Please do not make a mistake.

<u>Circuit Symbol and No.</u>	<u>Part No.</u>	<u>Circuit Symbol and No.</u>	<u>Part No.</u>
A:AVH-X3800BHS/XNUC		*IC401 (A,50,40) IC	MN103LF15RXW
B:AVH-X3800DAB/XNEU5		IC 601 (A,92,48) IC	MN1AA9010Z
Unit Number : CXX8367(A)		IC 603 (B,152,93) IC	MC74VHC1GT08DFG
Unit Number : CXX8368(B)		IC 851 (B,105,24) IC	MD56V82160A6TALA3L
Unit Name : Service Unit(Mother I/F)		IC 871 (B,79,55) Flash Memory IC(A)	W25Q64FVSSIG
Unit Number : CXX8381(A)		IC 871 (B,79,55)Flash Memory IC(B)	W25Q16DVSSIG
Unit Number : CXX8383(B)		IC 881 (B,79,43) Flash ROM Unit(A)	CWJ2177
Unit Name : Service Unit(Monitor)		IC 881 (B,79,43)Flash ROM Unit(B)	CWJ2175
Unit Number : CWX4609		IC 891 (A,125,57) IC	337S3959
Unit Name : DVD Core Unit		IC 901 (B,111,57) IC	AK8814VQ
Unit Number : CXX8416		IC 931 (B,99,75) IC	NJM2283V
Unit Name : Service Unit(Keyboard)		IC 1101 (B,138,52) IC	AK4223VQ
Service Unit(Mother I/F)		IC 1201 (B,138,82) IC	PM9015A
Consists of		IC 1271 (B,114,87) IC	NJW1240V
Mother PCB		IC 1301 (A,89,124) IC	PA2032A
Interface PCB		IC 2001 (B,29,32) IC	MM3479A33P
AD		IC 2002 (B,29,54) IC	MM3479A12P
Unit Number : CXX8367(A)		IC 2003 (B,34,64) IC(B)	MM3479A33P
Unit Number : CXX8368(B)		IC 2004 (A,38,62) IC	MM3479A33P
Unit Name : Service Unit(Mother I/F)		IC 2201 (A,41,76) IC(A)	TEF6688HN
MISCELLANEOUS		IC 2201 (A,41,76)IC(B)	TEF6686HN
IC 101 (B,51,104) IC	NJW4181U3-33B	IC 2401 (B,161,89) IC	AN33014UA
IC 111 (A,100,98) IC	NJW4184DL3-08A	IC 2501 (A,144,28) IC	TC7SZ32FUS1
IC 141 (A,125,63) IC	MM3479A33P	IC 3191 (B,156,103) IC	STCC2540IQ
IC 160 (B,169,78) IC	RP132J001B-AE	IC 3221 (B,76,73) IC	TC7S57FU
IC 231 (B,121,71) IC	MM1856A50N	IC 3231 (B,84,75) IC	BH7673G
IC 241 (B,75,25) IC	MM3479A18P	IC 3232 (B,90,81) IC	BH7673G
IC 271 (B,147,31) IC	MM1856A58N	IC 3233 (B,112,72) IC	BH7673G
IC 301 (B,160,44) IC	AN33012UA	IC 3234 (B,99,84) IC	BH7673G
IC 351 (B,156,67) IC	KBD9876EFJ	IC 4001 (B,25,33) IC(A)	TC7SH126FU
		IC 4002 (B,21,35) IC(A)	MC74VHC1GT08DFG
		Q 11 (B,73,98) Transistor	HN1C01FU
		Q 21 (B,60,130) Transistor	LTC014EEB
		Q 31 (B,65,127) Transistor	LTC014EEB
		Q 51 (B,41,127) Transistor	LSAR523UB
		Q 61 (B,52,130) Transistor	LSAR523UB
		Q 301 (A,168,45) Transistor	ATP112-H
		Q 302 (A,158,43) Transistor	ATP112-H
		Q 401 (A,55,58) Transistor	LSCR523UB
		Q 821 (B,80,69) Transistor	LSCR523UB

	1	2	3	4
	<u>Circuit Symbol and No.</u>	<u>Part No.</u>	<u>Circuit Symbol and No.</u>	<u>Part No.</u>
	Q 892 (A,125,53) Transistor	LSAR523UB	L 703 (A,81,31) Chip Beads	VTL1126
A	Q 931 (B,94,69) Transistor	LSCR523UB	L 704 (A,82,29) Chip Beads	VTL1126
	Q 932 (B,89,72) Transistor	LSCR523UB	L 705 (A,82,31) Chip Beads	VTL1126
	Q 933 (B,86,71) Transistor	LSCR523UB	L 706 (A,83,29) Chip Beads	VTL1126
	Q 1271 (B,126,88) Transistor	LTC044EEB	L 707 (A,83,31) Chip Beads	VTL1126
	Q 1301 (A,97,111) Chip Transistor	RN1903	L 708 (A,84,29) Chip Beads	VTL1126
	Q 1303 (A,90,109) Transistor	LSCR523UB	L 709 (A,85,31) Chip Beads	VTL1126
	Q 2001 (A,28,101) Transistor(B)	2SD2153	L 710 (A,85,29) Chip Beads	VTL1126
	Q 2002 (B,29,97) Transistor(B)	2SAR293PGZE	L 711 (A,86,31) Chip Beads	VTL1126
	Q 2003 (B,29,93) Transistor(B)	LTC014EEB	L 712 (A,86,29) Chip Beads	VTL1126
	Q 2201 (A,26,71) Transistor(A)	MMBT2369L	L 713 (A,87,31) Chip Beads	VTL1126
	Q 2202 (A,26,67) Transistor(A)	MMBT2369L	L 714 (A,88,29) Chip Beads	VTL1126
	Q 2203 (A,34,71) Transistor(A)	MMBT2369L	L 715 (A,88,31) Chip Beads	VTL1126
B	Q 2204 (A,33,68) Transistor(A)	MMBT2369L	L 716 (A,89,29) Chip Beads	VTL1126
	Q 3051 (B,79,87) Transistor	HN1B04FU	L 717 (A,89,31) Chip Beads	VTL1126
	Q 3101 (A,27,111) Chip Transistor	2SD2114K	L 718 (A,90,29) Chip Beads	VTL1126
	Q 3102 (A,31,110) Transistor	RN4984	L 720 (A,92,30) Chip Beads	VTL1126
	Q 3103 (A,24,110) Transistor	RN4984	L 725 (B,93,31) Chip Beads	VTL1126
	D 1 (B,68,107) Diode	D1F60-5053	L 750 (A,111,36) Inductor	CTF1645
	D 2 (B,68,104) Diode	D1F60-5053	L 851 (B,99,36) Inductor	CTF1786
	D 3 (A,157,81) Diode	RB080L-30	L 852 (A,113,36) Inductor	CTF1645
	D 11 (B,74,101) Diode	DZ2J062M0	L 871 (B,85,52) Inductor	CTF1786
	D 12 (B,69,97) Diode	DZ2J068M0	L 881 (B,85,44) Inductor	CTF1786
	D 21 (B,60,127) Diode	DA2J101	L 882 (B,85,50) Inductor	CTF1740
C	D 32 (B,67,129) Diode	DZ2J056M0	L 901 (B,119,65) Inductor	LCYA2R7J2016
	D 41 (A,75,118) Diode	CRG03	L 902 (B,109,47) Inductor	LCYA2R7J2016
	D 51 (B,43,125) Diode	DA2J101	L 903 (B,105,66) Chip Beads	VTL1126
	D 61 (B,51,127) Diode	DA2J101	L 904 (A,114,56) Chip Beads	VTL1126
	D 101 (B,67,96) Diode	D1F60-5053	L 905 (A,110,55) Chip Beads	VTL1126
	D 301 (A,163,42) Diode	RB056L-40	L 906 (A,114,55) Chip Beads	VTL1126
	D 302 (A,159,36) Diode	RB056L-40	L 907 (A,110,54) Chip Beads	VTL1126
	D 351 (A,155,66) Diode	RB056L-40	L 908 (A,114,54) Chip Beads	VTL1126
	D 401 (B,63,52) Diode	DB2J31400	L 909 (A,110,53) Chip Beads	VTL1126
	D 403 (B,60,47) Diode	DB2J31400	L 910 (A,115,53) Chip Beads	VTL1126
	D 1301 (A,82,110) Diode	DA2J101	L 911 (A,111,52) Chip Beads	VTL1126
D	D 1302 (A,93,106) Diode	DZ2J082M0	L 2201 (A,49,66) Inductor	CTF1749
	D 2003 (A,33,101) Diode(B)	DZ2J160M0	L 2203 (A,33,86) Inductor	LCYC150K1608
	D 2201 (B,22,104) Diode	EZAEG2A50AX	L 2204 (A,34,92) Inductor	CTF1389
	D 2202 (A,37,94) Diode	EZAEG2A50AX	L 2205 (A,39,94) Inductor	LCMAR27J1608
	D 2203 (A,36,90) Diode	EZAEG2A50AX	L 2401 (A,161,86) Inductor	CTH1524
	D 2401 (B,156,87) Diode	RB060M-30	L 2402 (B,156,83) Inductor	CTF1793
	D 2402 (A,155,87) Diode	D1F60-5053	L 2503 (A,145,31) Chip Beads	VTL1126
	D 3101 (A,23,117) Diode	DZ2S180C	L 3053 (B,76,77) Chip Beads(A)	VTL1126
	D 3102 (A,29,116) Diode	DZ2S180C	L 3054 (A,78,74) Chip Beads(A)	VTL1126
	D 3103 (A,36,116) Diode	DZ2S180C	L 3055 (A,77,73) Chip Beads(A)	VTL1126
	D 3104 (A,33,116) Diode	DZ2S180C	L 3101 (A,23,118) Chip Beads	VTL1126
E	D 3105 (A,34,111) Diode	DZ2J039M0	L 3102 (A,33,117) Chip Beads	VTL1126
	D 3152 (B,143,103) Diode	DZ2S180C	L 3103 (A,35,117) Chip Beads	VTL1126
	D 3153 (A,151,109) Diode	DZ2S180C	L 3104 (A,28,117) Chip Beads	VTL1126
	D 3154 (A,159,108) Diode	DZ2S180C	L 3151 (A,158,109) Chip Beads	VTL1126
	D 3191 (A,163,104) Diode	EZAEG2A50AX	L 3152 (A,164,109) Chip Beads	VTL1126
	D 3192 (A,163,102) Diode	EZAEG2A50AX	L 3153 (A,152,110) Chip Beads	VTL1126
	L 1 (A,61,105) Choke Coil 600 uH	CTH1221	L 3154 (A,149,108) Chip Beads	VTL1126
	L 2 (A,159,75) Choke Coil 10 uH	CTH1486	L 3155 (B,141,105) Chip Beads	VTL1126
	L 301 (A,167,32) Choke Coil	CTH1381	L 3156 (B,143,105) Chip Beads	VTL1126
	L 302 (A,157,31) Coil	CTH1519	L 3157 (A,137,109) Chip Beads	VTL1126
F	L 351 (A,154,61) Coil	CTH1524	L 3161 (A,142,109) Chip Beads	VTL1126
	L 700 (A,77,33) Chip Beads	VTL1126	L 3162 (A,142,108) Chip Beads	VTL1126
	L 701 (A,80,31) Chip Beads	VTL1126	L 3163 (A,134,108) Chip Beads	VTL1126
	L 702 (A,80,29) Chip Beads	VTL1126	L 3164 (A,130,109) Chip Beads	VTL1126

5			6		7		8	
<u>Circuit Symbol and No.</u>			<u>Part No.</u>	<u>Circuit Symbol and No.</u>		<u>Part No.</u>		
L 3165	(A,127,108)	Chip Beads	VTL1126	R 63	(B,54,130)	RS1/16SS473J		
L 3166	(A,123,108)	Chip Beads	VTL1126	R 64	(B,54,127)	RS1/16SS103J		
L 3191	(A,161,103)	Coil	ATH7015	R 160	(B,159,80)	RS1/16SS5601D		
L 3231	(B,116,77)	Inductor	LCYA100J2016	R 161	(B,161,80)	RS1/16SS1202D	A	
L 4001	(B,71,31)	Chip Beads	VTL1126	R 301	(B,151,40)	RS1/16SS561J		
L 4002	(B,71,26)	Chip Beads	VTL1126	R 302	(B,151,42)	RS1/16SS3302D		
L 4003	(B,59,10)	Chip Beads	VTL1126	R 303	(B,152,43)	RS1/16SS4301D		
L 4004	(B,59,15)	Chip Beads	VTL1126	R 304	(B,151,43)	RS1/16SS3601D		
L 4005	(B,160,46)	Chip Beads	VTL1126	R 305	(B,153,44)	RS1/16SS123J		
L 4006	(B,158,43)	Chip Beads	VTL1126	R 306	(B,166,39)	RS1/16SS103J		
X 401	(A,50,56)	Crystal Resonator12.500MHz	CSS1839	R 308	(B,164,49) 11 mohm	CCN1341		
X 601	(A,78,68)	Resonator 24 MHz	CSS1773	R 309	(B,165,38)	RS1/16SS204J		
X 2201	(A,50,73)	Crystal Resonator9.216MHz	CSS1867	R 310	(B,166,38)	RS1/16SS394J		
P 2001	(A,74,89)	Poly Switch(A)	FSMD110-24R	R 311	(B,158,49) 12 mohm	CCN1321	B	
P 2001	(A,74,89)	Poly Switch(B)	FSMD020-R	R 312	(B,154,41)	RS1/16SS224J		
P 2201	(B,20,104)	Surge Absorber	IMSA-6803-01Y900	R 313	(B,168,43)	RS1/16SS472J		
△P3051	(A,132,12)	Fuse 750mA	CEK1398	R 314	(B,168,40)	RS1/16SS1101D		
P 3152	(B,147,102)	Poly Switch	FSMD075-24R	R 315	(B,168,39)	RS1/16SS3000D		
P 3161	(B,102,107)	Poly Switch	FSMD075-24R	R 316	(B,168,42)	RS1/16SS1002D		
P 4001	(A,101,28)	Poly Switch	FSMD075-24R	R 317	(B,170,41)	RS1/16SS511J		
P 4003	(B,80,11)	Poly Switch	FSMD075-24R	R 318	(B,172,40)	RS1/10SR0R0J		
U 2101	(A,19,66)	BE CORE UNIT(A)	CWE2518	R 322	(B,166,42)	RS1/16SS473J		
U 2101	(A,19,66)	WWR TUNER UNIT(B)	CWE2534	R 323	(B,166,41)	RS1/16SS473J		
CN2501	(A,151,10)	Connector	VKN1620	R 351	(B,153,61)	RS1/16SS4701D		
CN2901	(A,52,12)	Connector	CKS6346	R 352	(B,153,62)	RS1/16SS4702D	C	
CN3051	(A,90,79)	Connector	CKS6645	R 353	(B,152,64)	RS1/16SS2202D		
CN3202	(A,114,13)	Connector	CKS6646	R 354	(B,156,62)	RS1/16SS332J		
CN4001	(A,144,25)	Connector	CKS4497	R 359	(A,151,53)	RS1/8SQ0R0J		
CN4004	(B,86,45)	Connector	CKS6605	R 360	(B,155,58)	RS1/8SQ331J		
JA 1	(A,55,124)	Connector	CKM1613	R 401	(A,64,55)	RS1/16SS472J		
JA2201	(A,14,119)	Antenna Jack	YKS5041	R 402	(A,62,52)	RS1/16SS102J		
JA3101	(A,30,133)	Jack	CKN1106	R 403	(B,62,53)	RS1/16SS103J		
JA3151	(A,150,114)	RCA Jack	CKB1110	R 405	(A,60,54)	RS1/16SS471J		
JA3161	(A,122,114)	RCA Jack	CKB1113	R 406	(A,59,56)	RS1/16SS473J		
JA3191	(A,168,100)	Jack	CKN1118	R 407	(A,59,54)	RS1/16SS471J		
JA4001	(A,51,15)	Jack	CKN1101	R 408	(A,58,56)	RS1/16SS473J	D	
JA4002	(A,14,12)	Connector(A)	CKS6495	R 411	(B,54,51)	RS1/16SS472J		
JA4003	(A,40,14)	Jack	CKS6437	R 412	(B,53,51)	RS1/16SS472J		
JA4004	(A,162,33)	RCA Jack	CKB1106	R 413	(A,56,54)	RS1/16SS473J		
VL2201	(A,40,87)	Variable Coil	CTC1216	R 414	(A,55,60)	RS1/16SS473J		
				R 415	(A,55,53)	RS1/16SS473J		
				R 417	(A,54,54)	RS1/16SS104J		
				R 418	(B,52,51)	RS1/16SS102J		
				R 419	(A,50,53)	RS1/16SS0R0J		
				R 420	(B,44,55)	RS1/16SS102J		
				R 421	(A,44,59)	RS1/16SS104J		
				R 422	(A,42,53)	RS1/16SS473J	E	
				R 423	(A,41,55)	RS1/16SS473J		
				R 424	(A,40,55)	RS1/16SS121J		
				R 425	(A,39,55)	RS1/16SS104J		
				R 426	(A,38,55)	RS1/16SS121J		
				R 430	(A,36,47)	RS1/16SS102J		
				R 431	(A,36,49)	RS1/16SS473J		
				R 435	(B,41,44)	RS1/16SS682J		
				R 437	(B,39,44)	RS1/16SS0R0J		
				R 439	(A,36,44)	RS1/16SS102J		
				R 440	(A,35,44)	RS1/16SS104J		
				R 441	(A,36,43)	RS1/16SS0R0J	F	
				R 445	(A,33,40) (B)	RS1/16SS0R0J		
				R 447	(A,36,38)	RS1/16SS102J		

RESISTORS

	1	2	3	4
	<u>Circuit Symbol and No.</u>	<u>Part No.</u>	<u>Circuit Symbol and No.</u>	<u>Part No.</u>
	R 453 (A,37,34)	RS1/16SS101J	R 631 (B,73,64)	RS1/16SS102J
	R 457 (A,40,26)	RS1/16SS822J	R 632 (A,74,62)	RS1/16SS0R0J
	R 458 (A,41,27)	RS1/16SS471J	R 633 (A,77,63)	RS1/16SS0R0J
A	R 460 (A,45,27)	RS1/16SS473J	R 636 (B,73,62)	RS1/16SS104J
	R 463 (B,44,32)	RS1/16SS104J	R 637 (B,77,63)	RS1/16SS473J
	R 464 (B,44,31)	RS1/16SS473J	R 639 (B,77,61)	RS1/16SS473J
	R 465 (A,48,27)	RS1/16SS473J	R 641 (B,81,61)	RS1/16SS103J
	R 466 (A,37,42)	RS1/16SS222J	R 642 (B,81,60)	RS1/16SS103J
	R 468 (B,51,26)	RS1/16SS473J	R 643 (A,73,56)	RS1/16SS4701D
	R 471 (A,53,26)	RS1/16SS221J	R 644 (A,73,57)	RS1/16SS1201D
	R 472 (A,54,26)	RS1/16SS221J	R 645 (A,75,57)	RS1/16SS0R0J
	R 474 (A,56,26)	RS1/16SS221J	R 646 (A,74,54)	RS1/16SS0R0J
	R 475 (A,57,26)	RS1/16SS221J	R 651 (A,73,52)	RS1/16SS0R0J
B	R 476 (A,58,25)	RS1/16SS221J	R 653 (B,70,53)	RS1/16SS101J
	R 479 (A,59,25)	RS1/16SS104J	R 654 (B,71,52)	RS1/16SS101J
	R 488 (A,67,31)	RS1/16SS104J	R 685 (A,114,33)	RS1/10SR0R0J
	R 493 (B,58,35)	RS1/16SS103J	R 686 (B,155,94)	RS1/16SS473J
	R 494 (B,61,35)	RS1/16SS221J	R 687 (B,152,96)	RS1/16SS103J
	R 495 (A,65,36)	RS1/16SS104J	R 688 (B,154,96)	RS1/16SS473J
	R 496 (B,58,36)	RS1/16SS103J	R 700 (A,98,69) (A)	RS1/16SS473J
	R 497 (B,61,36)	RS1/16SS221J	R 701 (A,77,30)	RS1/16SS560J
	R 499 (B,58,37)	RS1/16SS104J	R 703 (A,79,31)	RS1/16SS473J
	R 500 (B,58,38)	RS1/16SS104J	R 704 (A,80,27)	RS1/16SS390J
C	R 501 (A,65,38)	RS1/16SS101J	R 705 (A,80,25)	RS1/16SS390J
	R 502 (A,66,38)	RS1/16SS221J	R 706 (A,81,27)	RS1/16SS390J
	R 503 (A,65,39)	RS1/16SS221J	R 707 (A,82,25)	RS1/16SS390J
	R 504 (A,66,39)	RS1/16SS221J	R 708 (A,82,27)	RS1/16SS390J
	R 505 (B,61,41)	RS1/16SS104J	R 709 (A,83,25)	RS1/16SS390J
	R 506 (B,54,32)	RS1/16SS0R0J	R 710 (A,83,27)	RS1/16SS390J
	R 508 (B,60,49)	RS1/16SS103J	R 711 (A,84,25)	RS1/16SS390J
	R 509 (A,64,42) (B)	RS1/16SS0R0J	R 712 (A,85,27)	RS1/16SS390J
	R 510 (A,62,28)	RS1/16SS473J	R 713 (A,85,25)	RS1/16SS390J
	R 511 (A,65,47)	RS1/16SS471J	R 714 (A,86,27)	RS1/16SS390J
	R 512 (A,66,44)	RS1/16SS472J	R 715 (A,86,25)	RS1/16SS390J
	R 513 (A,64,48)	RS1/16SS471J	R 716 (A,87,27)	RS1/16SS390J
D	R 514 (A,66,43)	RS1/16SS472J	R 717 (A,88,25)	RS1/16SS390J
	R 515 (A,65,49)	RS1/16SS221J	R 718 (A,88,27)	RS1/16SS390J
	R 518 (A,38,50)	RS1/16SS0R0J	R 719 (A,89,25)	RS1/16SS390J
	R 526 (B,61,54)	RS1/16SS102J	R 720 (A,89,27)	RS1/16SS390J
	R 602 (A,113,30)	RS1/10SR0R0J	R 721 (A,90,25)	RS1/16SS390J
	R 603 (A,107,64)	RS1/16SS473J	R 726 (B,93,33)	RS1/16SS101J
	R 605 (A,109,63)	RS1/16SS473J	R 727 (B,95,34)	RS1/16SS0R0J
	R 606 (A,106,66) (A)	RS1/16SS0R0J	R 730 (A,92,28)	RS1/16SS151J
	R 607 (A,105,66) (A)	RS1/16SS0R0J	R 736 (A,108,33)	RS1/16SS472J
	R 608 (A,105,68) (A)	RS1/16SS0R0J	R 739 (A,112,36)	RS1/16SS82R0D
	R 609 (A,104,67) (A)	RS1/16SS0R0J	R 792 (A,112,38)	RS1/16SS47R0D
E	R 610 (A,103,68) (A)	RS1/16SS473J	R 793 (A,108,34)	RS1/16SS472J
	R 614 (A,99,67) (A)	RS1/16SS0R0J	R 794 (A,110,34)	RS1/16SS472J
	R 615 (A,98,67) (A)	RS1/16SS0R0J	R 795 (B,105,40)	RS1/16SS472J
	R 616 (A,97,67)	RS1/16SS473J	R 797 (B,106,42)	RS1/16SS472J
	R 619 (B,85,62)	RS1/16SS0R0J	R 798 (B,106,43)	RS1/16SS472J
	R 620 (A,91,67)	RS1/16SS1R0J	R 803 (A,117,48)	RS1/16SS103J
	R 621 (B,84,63)	RS1/16SS1R0J	R 805 (A,113,47)	RS1/16SS473J
	R 622 (B,85,64)	RS1/16SS0R0J	R 806 (A,114,49)	RS1/16SS473J
	R 623 (B,84,64)	RS1/16SS0R0J	R 813 (A,110,60)	RS1/16SS472J
	R 625 (B,82,63)	RS1/16SS473J	R 814 (A,110,61)	RS1/16SS0R0J
F	R 627 (B,79,67)	RS1/16SS473J	R 815 (A,113,61)	RS1/16SS473J
	R 628 (B,77,65)	RS1/16SS0R0J	R 816 (A,112,61)	RS1/16SS0R0J
	R 629 (A,79,65)	RS1/16SS105J	R 821 (B,82,67)	RS1/16SS103J
	R 630 (A,81,67)	RS1/16SS102J	R 822 (B,78,68)	RS1/16SS0R0J

5		6		7		8	
<u>Circuit Symbol and No.</u>		<u>Part No.</u>		<u>Circuit Symbol and No.</u>		<u>Part No.</u>	
R 823	(B,76,69)	RS1/16SS104J		R 941	(B,93,68)	RS1/16SS471J	
R 824	(B,77,69)	RS1/16SS153J		R 944	(B,90,70)	RS1/16SS471J	
R 825	(B,80,70)	RS1/16SS471J		R 947	(B,83,71)	RS1/16SS471J	
R 827	(A,113,51)	RS1/16SS0R0J		R 948	(B,91,75)	RS1/16SS104J	A
R 828	(A,111,51)	RS1/16SS0R0J		R 949	(B,95,79)	RS1/16SS104J	
R 841	(A,112,84)	RAB4CQ103J		R 950	(B,91,68)	RS1/16SS0R0J	
R 851	(B,96,18)	RAB4CQ121J		R 951	(B,87,70)	RS1/16SS0R0J	
R 852	(B,96,21)	RAB4CQ121J		R 952	(B,85,69)	RS1/16SS0R0J	
R 853	(B,106,36)	RAB4CQ181J		R 953	(B,100,81)	RS1/16SS104J	
R 854	(B,103,36)	RAB4CQ181J		R 960	(B,118,67)	RS1/16SS0R0J	
R 855	(B,101,36)	RAB4CQ181J		R 970	(B,115,47)	RS1/16SS222J	
R 856	(B,114,16)	RAB4CQ121J		R 971	(B,114,47)	RS1/16SS222J	
R 857	(B,114,21)	RAB4CQ121J		R 1113	(B,140,41)	RS1/16SS75R0D	
R 858	(B,113,25)	RS1/16SS121J		R 1114	(B,138,43)	RS1/16SS104J	
R 859	(B,114,30)	RS1/16SS181J		R 1115	(B,136,41)	RS1/16SS75R0D	B
R 860	(B,113,30)	RS1/16SS181J		R 1116	(B,134,43)	RS1/16SS2200D	
R 861	(B,98,26)	RS1/16SS101J		R 1117	(B,127,48)	RS1/16SS0R0J	
R 862	(B,115,36)	RAB4CQ181J		R 1118	(B,132,48)	RS1/16SS75R0D	
R 863	(B,111,36)	RAB4CQ181J		R 1119	(B,137,43)	RS1/16SS101J	
R 864	(B,112,27)	RS1/16SS0R0J		R 1120	(B,136,43)	RS1/16SS101J	
R 872	(B,77,51)	RS1/16SS0R0J		R 1122	(B,141,43)	RS1/16SS101J	
R 873	(B,78,51)	RS1/16SS0R0J		R 1123	(B,140,43)	RS1/16SS101J	
R 877	(B,84,56)	RS1/16SS101J		R 1124	(B,143,43)	RS1/16SS101J	
R 878	(B,84,57)	RS1/16SS101J		R 1125	(B,142,43)	RS1/16SS101J	
R 882	(B,85,39)	RS1/16SS101J		R 1131	(B,147,60)	RS1/16SS101J	
R 883	(B,81,37)	RS1/16SS0R0J		R 1132	(B,145,60)	RS1/16SS101J	C
R 884	(B,76,37)	RS1/16SS101J		R 1133	(B,144,60)	RS1/16SS101J	
R 885	(B,75,37)	RS1/16SS101J		R 1134	(B,135,63)	RS1/16SS101J	
R 886	(B,83,50)	RS1/16SS271J		R 1135	(B,134,63)	RS1/16SS101J	
R 887	(B,85,48)	RS1/16SS101J		R 1136	(B,133,63)	RS1/16SS101J	
R 888	(B,76,50)	RS1/16SS101J		R 1142	(B,135,42)	RS1/10SR0R0J	
R 892	(A,129,55)	RS1/16SS473J		R 1143	(B,132,47)	RS1/16SS470J	
R 893	(A,125,55)	RS1/16SS183J		R 1148	(B,142,47)	RS1/16SS0R0J	
R 895	(A,128,56)	RS1/16SS222J		R 1149	(B,144,50)	RS1/16SS0R0J	
R 896	(A,122,58)	RS1/16SS222J		R 1214	(B,136,99)	RS1/16SS0R0J	
R 897	(A,115,59)	RS1/16SS220J		R 1228	(B,141,72)	RS1/16SS0R0J	D
R 898	(A,121,56)	RS1/16SS222J		R 1232	(B,135,98)	RS1/16SS0R0J	
R 902	(B,107,66)	RS1/16SS820J		R 1236	(A,128,87)	RS1/10SR0R0J	
R 904	(B,115,63)	RS1/16SS103J		R 1271	(B,125,86)	RS1/16SS103J	
R 906	(A,116,56)	RS1/16SS561J		R 1272	(B,120,82)	RS1/16SS684J	
R 908	(A,112,55)	RS1/16SS561J		R 1286	(B,120,84)	RS1/16SS100J	
R 910	(A,116,55)	RS1/16SS561J		R 1287	(B,120,87)	RS1/16SS102J	
R 912	(A,112,54)	RS1/16SS561J		R 1301	(A,97,113)	RS1/16SS683J	
R 914	(A,116,54)	RS1/16SS561J		R 1302	(A,99,113)	RS1/16SS683J	
R 916	(A,112,53)	RS1/16SS561J		R 1303	(A,99,115)	RS1/16SS152J	
R 918	(A,116,53)	RS1/16SS561J		R 1304	(A,100,116)	RS1/16SS101J	
R 920	(A,113,52)	RS1/16SS561J		R 1306	(A,75,114)	RS1/16SS103J	E
R 921	(B,114,51)	RS1/16SS103J		R 1308	(A,93,104)	RS1/16SS103J	
R 922	(B,114,49)	RS1/16SS271J		R 1309	(A,88,109)	RS1/16SS104J	
R 923	(B,113,51)	RS1/16SS271J		R 1310	(A,87,110)	RS1/16SS473J	
R 924	(B,111,49)	RS1/16SS181J		R 1314	(A,81,115)	RS1/16SS473J	
R 925	(B,112,51)	RS1/16SS103J		R 1315	(A,79,114)	RS1/16SS102J	
R 926	(B,113,49)	RS1/16SS103J		R 1316	(A,77,113)	RS1/16SS0R0J	
R 930	(B,107,50)	RS1/10SR0R0J		R 2004	(B,33,39)	RS1/16SS102J	
R 931	(B,105,56)	RS1/16SS6801D		R 2007	(B,34,59) (B)	RS1/16SS102J	
R 932	(B,112,63)	RS1/16SS104J		R 2008	(B,33,58)	RS1/16SS102J	
R 933	(B,113,63)	RS1/16SS104J		R 2009	(B,35,44)	RS1/16SS102J	
R 934	(B,105,48)	RS1/16SS0R0J		R 2015	(A,70,87) (A)	RS1/4SA0R0J	F
R 935	(B,93,81)	RS1/16SS0R0J		R 2016	(A,33,102) (B)	RS1/16SS911J	
R 938	(B,94,71)	RS1/16SS0R0J		R 2017	(B,27,100) (B)	RS1/16SS103J	

1

Circuit Symbol and No.

2

Part No.

3

Circuit Symbol and No.

4

Part No.

R 2018	(B,33,92) (B)	RS1/4SA471J	R 2247	(B,82,9)	RS1/10SR0R0J
R 2019	(B,31,92) (B)	RS1/4SA471J	R 2401	(B,166,94)	RS1/16SS752J
R 2020	(B,26,94) (B)	RS1/16SS1003D	R 2402	(B,159,99)	RS1/16SS102J
A R 2021	(B,26,92) (B)	RS1/16SS1802D	R 2403	(B,160,99)	RS1/16SS102J
R 2110	(A,23,18)	RS1/16SS0R0J	R 2404	(B,157,99)	RS1/16SS102J
R 2111	(A,22,18)	RS1/16SS0R0J	R 2405	(B,164,83)	RS1/16SS224J
R 2112	(A,19,18)	RS1/16SS0R0J	R 2406	(B,161,83)	RS1/16SS1202D
R 2128	(A,29,48) (A)	RS1/16SS103J	R 2407	(B,163,96)	RS1/16SS152J
R 2130	(B,25,74) (B)	RS1/16SS221J	R 2408	(B,162,96)	RS1/16SS3302D
R 2131	(B,24,74) (B)	RS1/16SS221J	R 2409	(B,166,95)	RS1/16SS8201D
R 2132	(B,23,74) (B)	RS1/16SS221J	R 2410	(B,158,99)	RS1/16SS102J
R 2133	(B,22,74) (B)	RS1/16SS0R0J	R 2413	(B,168,89)	RS1/16SS394J
R 2134	(A,24,55) (A)	RS1/16SS221J	R 2414	(B,167,89)	RS1/16SS204J
B R 2135	(A,24,54) (A)	RS1/16SS221J	R 2416	(B,161,84)	RS1/16SS0R0J
R 2136	(A,24,52) (A)	RS1/16SS221J	R 2420	(B,168,88)	RS1/16SS104J
R 2137	(A,23,51) (A)	RS1/16SS221J	R 2421	(A,171,87) 0.039 ohm	CCN1325
R 2138	(A,27,43) (A)	RS1/16SS0R0J	R 2505	(A,158,16)	RS1/16SS471J
R 2139	(A,27,45) (A)	RS1/16SS0R0J	R 2506	(A,157,15)	RS1/16SS221J
R 2140	(A,27,46) (A)	RS1/16SS0R0J	R 2507	(A,156,15)	RS1/16SS221J
R 2141	(A,27,47) (A)	RS1/16SS0R0J	R 2508	(A,155,18)	RS1/16SS221J
R 2142	(A,23,42) (A)	RS1/16SS0R0J	R 2509	(A,154,18)	RS1/16SS221J
R 2143	(A,24,41) (A)	RS1/16SS0R0J	R 2510	(A,153,15)	RS1/16SS221J
R 2144	(A,23,40) (A)	RS1/16SS0R0J	R 2511	(A,145,33)	RS1/10SR121J
R 2145	(A,23,38) (A)	RS1/16SS0R0J	R 2516	(B,148,18)	RS1/10SR0R0J
C R 2204	(A,46,75)	RS1/16SS103J	R 2901	(A,64,18)	RS1/16SS102J
R 2206	(A,45,74)	RS1/16SS103J	R 2906	(A,70,18)	RS1/16SS101J
R 2207	(A,45,70)	RS1/16SS472J	R 2908	(B,48,14)	RS1/16SS102J
R 2208	(A,44,69)	RS1/16SS472J	R 2912	(A,56,18)	RS1/16SS271J
R 2209	(A,44,73)	RS1/16SS101J	R 2913	(A,56,19)	RS1/16SS271J
R 2210	(A,43,72)	RS1/16SS101J	R 2915	(A,56,20)	RS1/16SS271J
R 2212	(A,31,85)	RS1/16SS391J	R 2917	(A,50,19)	RS1/16SS0R0J
R 2213	(B,23,104)	RS1/16SS105J	R 2918	(A,47,19)	RS1/16SS222J
R 2214	(A,30,92)	RS1/16SS105J	R 2919	(A,49,21)	RS1/16SS0R0J
R 2215	(A,39,70)	RS1/16SS0R0J	R 2920	(A,45,19)	RS1/16SS102J
R 2216	(A,39,72)	RS1/16SS221J	R 2921	(A,44,19)	RS1/16SS102J
D R 2217	(A,38,72)	RS1/16SS0R0J	R 3058	(B,81,90)	RS1/16SS562J
R 2218	(A,37,74)	RS1/16SS0R0J	R 3059	(B,79,90)	RS1/16SS332J
R 2220	(A,27,73) (A)	RS1/16SS182J	R 3060	(B,79,85)	RS1/16SS103J
R 2221	(A,29,71) (A)	RS1/16SS332J	R 3061	(B,77,85)	RS1/16SS103J
R 2222	(A,26,64) (A)	RS1/16SS121J	R 3062	(B,81,88)	RS1/10SR222J
R 2223	(A,29,69) (A)	RS1/16SS102J	R 3118	(A,31,114)	RS1/16SS223J
R 2224	(A,34,76) (A)	RS1/16SS0R0J	R 3119	(A,32,113)	RS1/16SS223J
R 2225	(A,34,74) (A)	RS1/16SS0R0J	R 3126	(A,31,113)	RS1/16SS103J
R 2226	(A,36,70) (A)	RS1/16SS182J	R 3127	(A,33,109)	RS1/16SS122J
R 2227	(A,31,70) (A)	RS1/16SS332J	R 3128	(A,29,111)	RS1/16SS152J
R 2228	(A,36,67) (A)	RS1/16SS121J	R 3129	(A,24,113)	RS1/16SS0R0J
E R 2229	(A,30,69) (A)	RS1/16SS102J	R 3152	(A,149,109)	RS1/16SS223J
R 2230	(A,31,77) (A)	RS1/16SS0R0J	R 3153	(A,148,108)	RS1/16SS223J
R 2231	(A,31,74) (A)	RS1/16SS0R0J	R 3162	(A,145,106)	RS1/16SS223J
R 2232	(A,29,76) (A)	RS1/16SS0R0J	R 3164	(A,143,106)	RS1/16SS223J
R 2233	(A,29,75) (A)	RS1/16SS0R0J	R 3168	(A,136,106)	RS1/16SS223J
R 2234	(A,29,67) (A)	RS1/16SS0R0J	R 3171	(A,134,106)	RS1/16SS223J
R 2235	(A,30,67) (A)	RS1/16SS0R0J	R 3174	(A,126,106)	RS1/16SS223J
R 2236	(A,30,72) (A)	RS1/16SS0R0J	R 3177	(A,125,106)	RS1/16SS223J
R 2237	(A,36,72) (A)	RS1/16SS0R0J	R 3181	(B,103,111)	RS1/10SR0R0J
R 2242	(A,48,77)	RS1/16SS0R0J	R 3193	(B,155,107)	RS1/16SS103J
F R 2243	(A,41,81)	RS1/16SS0R0J	R 3194	(B,156,100)	RS1/16SS2402D
R 2244	(A,40,81)	RS1/16SS0R0J	R 3195	(B,153,105)	RS1/16SS102J
R 2245	(A,30,71) (A)	RS1/16SS0R0J	R 3196	(B,159,106)	RS1/16SS103J
R 2246	(A,82,67)	RS1/10SR0R0J	R 3197	(B,156,106)	RS1/16SS103J

1

2

3

4

5		6		7		8	
<u>Circuit Symbol and No.</u>		<u>Part No.</u>	<u>Circuit Symbol and No.</u>		<u>Part No.</u>		
R 3221	(B,74,76)	RS1/16SS0R0J	C 104	(A,70,94)	CEVW470M16		
R 3222	(B,80,74)	RS1/16SS271J	C 111	(A,94,93) 1 uF	CCG1325		
R 3223	(B,79,73)	RS1/16SS684J	C 112	(A,101,91)	CKSSYB104K16		
			C 114	(A,96,93)	CKSRYB104K50	A	
R 3224	(B,76,76)	RS1/16SS1802D	C 115	(A,111,94) 4.7 uF	CCG1222		
R 3225	(B,79,75)	RS1/16SS1302D					
R 3226	(B,73,73)	RS1/16SS682J	C 116	(A,113,98)	CCSRCH101J50		
R 3227	(B,73,74)	RS1/16SS103J	C 141	(A,122,62)	CKSRYB105K10		
R 3229	(A,73,49)	RS1/16SS0R0J	C 142	(A,124,66)	CKSRYB105K10		
			C 143	(A,126,66)	CKSSYB104K10		
R 3231	(B,99,82)	RS1/16SS101J	C 160	(B,161,77) 10 uF	CCG1192		
R 3232	(B,108,69)	RS1/16SS101J					
R 3233	(B,92,78)	RS1/16SS101J	C 161	(B,159,78) 10 uF	CCG1192		
R 4008	(A,93,27)	RAB4CQ750J	C 231	(B,124,72)	CKSRYB105K10		
R 4009	(B,127,38)	RS1/16SS223J	C 232	(B,118,71)	CKSRYB105K10		
			C 241	(B,79,25)	CKSRYB105K10		
R 4010	(B,126,37)	RS1/16SS223J	C 242	(B,76,21)	CKSRYB105K10	B	
R 4011	(B,123,38)	RS1/16SS562J					
R 4012	(B,152,20)	RS1/16SS102J	C 243	(B,73,27)	CKSSYB104K10		
R 4013	(B,147,20)	RS1/16SS102J	C 271	(B,147,28)	CKSRYB105K16		
R 4014	(B,145,20)	RS1/16SS471J	C 272	(B,147,34)	CKSRYB105K16		
			C 301	(B,152,42)	CCSSCH471J50		
R 4015	(B,139,20)	RS1/16SS471J	C 302	(B,153,45)	CKSSYB103K16		
R 4019	(B,124,41)	RS1/16SS272J					
R 4020	(B,123,41)	RS1/16SS272J	C 303	(B,155,44)	CCSSCH8R0D50		
R 4033	(B,45,28) (A)	RS1/16SS471J	C 304	(B,166,43)	CCSSCH8R0D50		
R 4034	(B,42,29) (A)	RS1/16SS223J	C 305	(B,168,44)	CKSSYB103K16		
			C 306	(B,168,41)	CCSSCH102J50		
R 4035	(B,44,28) (A)	RS1/16SS223J	C 307	(B,165,33)	CKSSYB102K50	C	
R 4036	(B,41,29) (A)	RS1/16SS181J					
R 4037	(B,41,27) (A)	RS1/16SS181J	C 308	(B,165,34)	CKSSYB104K10		
R 4038	(B,6,30) (A)	RS1/10SR822J	C 309	(B,164,30) 10 uF/16 V	DCH1263		
R 4039	(B,19,32) (A)	RS1/10SR471J	C 310	(B,164,32) 10 uF/16 V	DCH1263		
			C 311	(B,165,27) 47 uF	CCG1229		
R 4045	(B,6,28) (A)	RS1/16SS104J	C 316	(B,166,40)	CKSSYB104K10		
R 4048	(B,155,46)	RS1/16SS75R0D					
R 4064	(B,16,39) (A)	RS1/16SS471J	C 319	(B,166,44)	CKSSYB104K16		
R 4065	(B,142,26)	RS1/16SS103J	C 320	(B,152,46)	CKSSYB104K16		
			C 321	(B,154,40)	CKSSYB104K10		
			C 322	(B,153,41)	CKSRYB105K10		
			C 324	(B,157,30) 47 uF	CCG1229		
		CKSRYB104K50	C 325	(B,158,32) 10 uF	CCG1192	D	
C 1	(B,67,127)	CCG1236	C 326	(B,158,34) 10 uF	CCG1192		
C 3	(A,165,80) 10 uF(B)	CCH1328	C 327	(B,159,36)	CKSSYB104K10		
C 4	(A,164,64) 4 700 uF/16 V	CCG1236	C 328	(B,159,37)	CKSSYB102K50		
C 5	(A,167,75) 10 uF	CKSSYB102K50	C 330	(B,162,49)	CKSRYB473K50		
C 6	(A,165,73)						
C 7	(B,50,123)	CCSSCH102J50	C 331	(B,160,49)	CKSSYB102K50		
C 8	(B,51,111)	CCSSCH102J50	C 334	(B,160,51) 10 uF	CCG1236		
C 9	(B,48,123)	CCSSCH102J50	C 351	(A,160,54)	CEVW470M16		
C 10	(B,50,111)	CCSSCH102J50	C 352	(A,154,54)	CKSSYB103K16		
C 11	(B,54,109)	CKSSYB102K50	C 353	(A,154,56) 10 uF	CCG1192		
C 12	(B,45,123)	CCSSCH102J50	C 356	(B,155,62)	CKSSYB682K25		
C 13	(B,49,111)	CCSSCH102J50	C 357	(B,159,63)	CKSSYB103K16	E	
C 14	(B,43,123)	CCSSCH102J50	C 358	(B,161,72) 10 uF	CCG1236		
C 15	(B,48,111)	CCSSCH102J50	C 359	(B,157,73)	CKSRYB103K50		
C 16	(B,52,111)	CKSSYB102K50	C 401	(A,53,56)	CCSSCH100D50		
C 17	(B,53,123)	CKSSYB102K50	C 402	(A,48,53)	CCSSCH120J50		
C 18	(B,60,125)	CKSSYB102K50	C 403	(A,46,56)	CKSRYB105K10		
C 19	(B,55,123)	CKSSYB102K50	C 404	(A,46,54)	CKSSYB104K10		
C 21	(B,62,129)	CKSRYB105K10	C 405	(A,43,55)	CKSRYB105K10		
C 23	(B,67,124)	CKSSYB102K50	C 406	(A,44,54)	CKSSYB104K10		
C 24	(B,69,109)	CKSSYB102K50	C 407	(A,45,53)	CKSSYB102K50		
C 41	(A,72,122)	CKSSYB104K16	C 408	(A,36,48)	CKSSYB104K10		
C 101	(A,61,93)	CEHAT331M16	C 409	(A,38,32)	CKSSYB104K10	F	
C 102	(B,50,107)	CKSRYB104K50	C 410	(A,36,32)	CKSRYB105K10		
C 103	(B,48,104)	CKSSYB104K10	C 414	(A,51,27)	CKSSYB104K10		

CAPACITORS

	1	2	3	4
	<u>Circuit Symbol and No.</u>	<u>Part No.</u>	<u>Circuit Symbol and No.</u>	<u>Part No.</u>
	C 415 (A,50,26)	CKSRYB105K10	C 652 (B,93,34)	CCSSCH330J50
	C 419 (A,64,53) 0.1 uF	CCG1321	C 653 (A,76,28)	CCSSCH330J50
	C 420 (A,66,53)	CKSSYB103K16	C 654 (B,152,98)	CKSRYB105K10
A	C 421 (A,65,53)	CCSSCH102J50	C 655 (B,152,91)	CKSSYB104K10
	C 422 (A,63,45)	CKSSYB104K10	C 656 (A,109,28)	CCSRCH102J50
	C 423 (A,64,45)	CKSRYB105K10	C 657 (A,109,31) 0.1 uF	CCG1321
	C 424 (B,59,45)	CKSSYB104K10	C 658 (A,110,31)	CCSRCH102J50
	C 425 (A,63,50)	CKSSYB104K10	C 661 (A,112,32) 10 uF	CCG1192
	C 427 (A,63,55)	CKSSYB104K10	C 664 (A,112,28) 10 uF	CCG1192
	C 429 (A,66,46)	CKSSYB104K10	C 668 (B,85,20)	CCSSCH560J50
	C 430 (A,66,48)	CKSSYB104K10	C 669 (B,83,20)	CCSSCH560J50
	C 431 (A,66,42) (B)	CKSSYB104K10	C 670 (B,83,24)	CCSSCH560J50
	C 433 (B,59,44)	CKSSYB104K10	C 671 (B,82,24)	CCSSCH560J50
	C 436 (A,63,39)	CCSSCH471J50	C 672 (B,81,21)	CCSSCH560J50
B	C 601 (A,103,65)	CKSSYB104K10	C 673 (B,80,21)	CCSSCH560J50
	C 602 (A,102,66)	CKSRYB104K16	C 674 (B,90,24)	CCSSCH560J50
	C 603 (A,98,65)	CKSSYB104K10	C 675 (B,90,20)	CCSSCH560J50
	C 604 (A,97,66)	CKSSYB104K10	C 676 (B,86,25)	CCSSCH560J50
	C 605 (A,94,65)	CKSSYB104K10	C 677 (B,85,25)	CCSSCH560J50
	C 606 (A,92,68)	CKSSYB104K10	C 678 (B,87,18)	CCSSCH560J50
	C 607 (A,91,70)	CKSRYB105K10	C 679 (B,86,19)	CCSSCH560J50
	C 608 (B,85,60)	CKSSYB104K10	C 680 (B,91,27)	CCSSCH560J50
	C 609 (B,83,61)	CKSRYB105K10	C 681 (B,90,26)	CCSSCH560J50
	C 610 (B,84,66)	CKSSYB104K10	C 682 (B,92,20)	CCSSCH560J50
	C 611 (B,83,66)	CKSSYB104K10	C 683 (B,92,25)	CCSSCH560J50
C	C 612 (B,79,65)	CKSSYB104K10	C 684 (B,91,20)	CCSSCH560J50
	C 613 (A,81,69)	CCSSCH120J50	C 685 (B,88,25)	CCSSCH560J50
	C 614 (A,75,67)	CCSSCH100D50	C 693 (A,117,50)	CKSSYB102K50
	C 616 (B,73,63)	CKSSYB104K10	C 700 (A,110,36)	CCSSCH8R0D50
	C 617 (A,75,63)	CKSSYB104K10	C 821 (B,76,67) 10 uF	CCG1192
	C 618 (B,80,61)	CKSSYB104K10	C 823 (A,85,68)	CKSRYB105K10
	C 619 (B,78,59) 1 uF	DCH1246	C 824 (A,84,71)	CKSRYB105K10
	C 620 (A,76,55) 1 uF	DCH1246	C 851 (B,97,14)	CKSSYB104K10
	C 621 (A,75,54)	CKSSYB104K10	C 852 (B,97,16)	CKSSYB104K10
	C 622 (A,76,53)	CKSSYB104K10	C 853 (B,96,24)	CKSSYB104K10
	C 624 (A,74,51)	CKSSYB104K10	C 854 (B,98,23)	CKSSYB104K10
D	C 625 (A,76,50)	CKSSYB104K10	C 855 (B,98,34)	CKSSYB104K10
	C 626 (A,75,45)	CKSSYB104K10	C 856 (B,112,23)	CKSSYB104K10
	C 627 (A,76,45)	CKSSYB104K10	C 857 (B,112,18)	CKSSYB104K10
	C 628 (A,76,38)	CKSSYB104K10	C 858 (B,114,26)	CCSSCH8R0D50
	C 629 (A,75,37)	CKSSYB104K10	C 860 (B,99,12)	CKSSYB102K50
	C 631 (B,82,34)	CKSRYB104K16	C 871 (B,84,52)	CKSSYB104K10
	C 632 (B,85,34)	CKSSYB104K10	C 882 (B,85,43)	CKSSYB104K10
	C 633 (B,87,33)	CKSRYB104K16	C 891 (A,122,52)	CKSSYB104K10
	C 634 (B,90,34)	CKSRYB104K16	C 892 (A,123,54)	CKSSYB104K10
	C 635 (A,94,32)	CKSRYB104K16	C 893 (A,122,56)	CKSSYB103K16
E	C 636 (A,99,30)	CKSSYB104K10	C 894 (B,84,60)	CKSSYB102K50
	C 637 (A,99,32)	CKSRYB104K16	C 901 (B,110,64)	CCSSCH560J50
	C 638 (A,102,32)	CKSRYB104K16	C 902 (B,117,63) 10 uF	CCG1192
	C 639 (A,109,36)	CKSRYB104K16	C 903 (B,116,57)	CKSSYB104K10
	C 641 (A,109,39)	CKSRYB104K16	C 904 (B,109,52)	CKSSYB103K16
	C 642 (A,110,42)	CKSRYB104K16	C 905 (B,105,54)	CKSSYB103K16
	C 643 (A,109,43)	CKSSYB104K10	C 906 (B,105,52) 10 uF	CCG1192
	C 644 (A,109,45)	CKSRYB104K16	C 907 (B,107,53)	CKSSYB103K16
	C 645 (A,109,48)	CKSRYB104K16	C 908 (B,106,47) 10 uF	CCG1192
	C 646 (A,110,52)	CKSSYB104K10	C 909 (B,105,57)	CKSSYB103K16
F	C 647 (A,109,52)	CKSSYB104K10	C 910 (B,112,65)	CKSSYB104K10
	C 648 (A,108,56)	CKSSYB104K10	C 912 (B,110,63)	CKSSYB104K10
	C 649 (A,108,61)	CKSSYB104K10	C 931 (B,96,82) 10 uF	CCG1192
	C 651 (B,88,37) 0.1 uF	CCG1321	C 932 (B,105,69) 10 uF	CCG1192
			C 933 (B,91,77) 10 uF	CCG1192

5		6		7		8	
<u>Circuit Symbol and No.</u>		<u>Part No.</u>		<u>Circuit Symbol and No.</u>		<u>Part No.</u>	
C 934	(B,94,74) 10 uF	CCG1192		C 1228	(B,140,75)	CKSSYB104K10	
C 935	(B,96,80) 10 uF	CCG1192		C 1229	(B,136,75)	CKSSYB104K10	
C 936	(B,102,79) 10 uF	CCG1192		C 1231	(A,130,84)	CCSSCH151J50	A
C 937	(B,101,68)	CKSSYB103K16		C 1232	(A,130,86)	CKSSYB102K50	
C 938	(A,89,66)	CKSRYB105K10		C 1234	(A,143,86)	CCSSCH151J50	
C 939	(A,89,71)	CKSRYB105K10		C 1237	(B,127,81) 0.1 uF	CCG1311	
C 940	(A,88,66)	CKSRYB105K10		C 1238	(B,148,81) 0.1 uF	CCG1311	
C 941	(A,87,71)	CKSRYB105K10		C 1239	(A,143,97)	CKSSYB102K50	
C 942	(A,86,66)	CKSRYB105K10		C 1241	(A,135,77)	CKSSYB472K50	
C 943	(A,86,71)	CKSRYB105K10		C 1271	(B,105,87) 1 uF	CCG1325	
C 944	(A,119,68)	CEVW470M16		C 1272	(B,119,92) 1 uF	CCG1325	
C 1101	(B,145,53)	CKSRYB105K10		C 1273	(B,121,92) 1 uF	CCG1325	
C 1102	(B,145,51)	CKSSYB104K10		C 1274	(B,123,92) 1 uF	CCG1325	
C 1106	(B,143,45)	CKSSYB104K10		C 1275	(B,125,92) 1 uF	CCG1325	
C 1108	(B,142,45)	CKSSYB104K10		C 1276	(B,126,92) 1 uF	CCG1325	B
C 1110	(B,141,45)	CKSSYB104K10		C 1277	(B,119,78) 1 uF	CCG1325	
C 1112	(B,140,45)	CKSSYB104K10		C 1278	(B,121,83) 1 uF	CCG1325	
C 1114	(B,139,45)	CKSSYB104K10		C 1279	(B,123,83) 1 uF	CCG1325	
C 1115	(B,135,60)	CKSRYB105K10		C 1280	(B,108,84) 1 uF	CCG1325	
C 1116	(B,138,45)	CKSSYB104K10		C 1282	(B,103,87) 1 uF	CCG1325	
C 1117	(B,134,60)	CKSRYB105K10		C 1283	(B,128,92) 1 uF	CCG1325	
C 1118	(B,137,45)	CKSSYB104K10		C 1301	(A,101,114) 4.7 uF	CCG1201	
C 1119	(B,133,60)	CKSRYB105K10		C 1304	(B,94,110)	CKSRYB474K16	
C 1120	(B,136,45)	CKSSYB104K10		C 1305	(B,84,110)	CKSRYB474K16	
C 1122	(B,135,45)	CKSSYB104K10		C 1306	(A,93,114)	CCG1322	C
C 1124	(B,134,45)	CKSSYB104K10		C 1307	(A,88,114) 4.7 uF	CCG1291	
C 1126	(B,133,45)	CKSSYB104K10		C 1308	(A,83,111)	CCG1286	
C 1127	(B,128,51) 10 uF	CCG1192		C 1313	(A,83,100) 4700 uF/16V	CCH2085	
C 1128	(B,132,50)	CKSSYB104K10		C 1315	(A,84,115) 0.1 uF	CCG1311	
C 1129	(B,132,51)	CKSSYB104K10		C 1316	(A,85,111) 10 uF	CCG1281	
C 1132	(B,131,56) 10 uF	CCG1192		C 1318	(B,91,110) 0.47 uF	CCG1317	
C 1133	(B,130,52) 10 uF	CCG1192		C 1319	(B,87,110) 0.47 uF	CCG1317	
C 1135	(B,131,48)	CCSSCH181J50		C 1320	(A,90,114) 4.7 uF	CCG1291	
C 1136	(B,144,57)	CKSRYB105K10		C 2002	(B,28,37)	CKSRYB105K10	
C 1137	(B,145,57)	CKSRYB105K10		C 2003	(B,29,57)	CKSRYB105K10	
C 1138	(B,146,57)	CKSRYB105K10		C 2004	(B,28,28)	CKSRYB105K10	D
C 1201	(B,131,87) (A)	CKSRYB105K10		C 2005	(B,29,50)	CKSRYB105K10	
C 1202	(A,136,91)	CEVW470M16		C 2006	(B,34,60) (B)	CKSRYB105K10	
C 1203	(A,132,86)	CKSSYB104K10		C 2008	(B,34,68) (B)	CKSRYB105K10	
C 1206	(A,126,80)	CEVW470M16		C 2010	(A,35,60)	CKSRYB105K10	
C 1207	(B,133,89) (A)	CKSRYB105K10		C 2011	(A,43,61)	CKSRYB105K10	
C 1208	(B,132,91)	CKSRYB105K10		C 2014	(B,33,53)	CKSSYB104K10	
C 1209	(B,134,91)	CKSRYB105K10		C 2015	(A,35,102) (B)	CKSSYB104K16	
C 1210	(B,134,94)	CKSRYB105K10		C 2016	(B,27,93) (B)	CKSRYB104K50	
C 1211	(B,135,94)	CKSRYB105K10		C 2017	(A,35,62)	CKSSYB104K10	
C 1212	(B,136,91)	CKSRYB105K10		C 2018	(B,31,29)	CKSSYB104K10	
C 1213	(B,137,91)	CKSRYB105K10		C 2019	(B,38,62) (B)	CKSSYB104K10	E
C 1214	(B,138,94)	CKSRYB105K10		C 2105	(B,26,60) 10 uF	CCG1192	
C 1215	(B,139,94)	CKSRYB105K10		C 2107	(B,27,41) 10 uF	CCG1192	
C 1216	(B,139,91)	CKSRYB105K10		C 2111	(A,13,50)	CKSSYB104K10	
C 1217	(B,141,91)	CKSRYB105K10		C 2202	(A,51,64)	CKSSYB104K10	
C 1218	(B,141,94)	CKSRYB105K10		C 2203	(A,51,68)	CKSSYB104K10	
C 1219	(B,142,94)	CKSRYB105K10		C 2204	(A,52,67) 10 uF	CCG1192	
C 1220	(B,143,91)	CKSRYB105K10		C 2205	(A,41,68) 10 uF	CCG1192	
C 1221	(B,145,90) (A)	CKSRYB105K10		C 2206	(A,44,80)	CKSSYB104K10	
C 1222	(B,146,88) (A)	CKSRYB105K10		C 2208	(A,42,81)	CKSSYB224K6R3	
C 1223	(A,144,80)	CEVW470M16		C 2209	(A,42,82)	CKSSYB102K50	F
C 1224	(A,134,79) 10 uF	CCG1332		C 2210	(A,38,80)	CKSSYB104K10	
C 1225	(A,129,72)	CKSSYB104K10		C 2212	(A,37,93)	CCSSCH220J50	
C 1226	(A,135,70)	CEVW470M16		C 2213	(A,37,91)	CCSSCH271J50	

	1	2	3	4
	<u>Circuit Symbol and No.</u>	<u>Part No.</u>	<u>Circuit Symbol and No.</u>	<u>Part No.</u>
	C 2216 (A,41,72)	CKSSYB104K10	C 3222 (B,78,75)	CKSSYB104K10
	C 2219 (A,33,83)	CCSSCH102J50	C 3231 (B,81,75)	CKSSYB104K10
A	C 2220 (A,34,95)	CCSSCH471J50	C 3232 (B,114,76) 10 uF	CCG1192
	C 2224 (A,36,78)	CKSSYB152K50	C 3233 (B,89,79)	CKSSYB104K10
	C 2234 (A,35,95)	CCSSCH100D50	C 3234 (B,114,74)	CKSSYB104K10
	C 2238 (A,52,81)	CKSSYB102K50	C 3235 (B,100,82)	CKSSYB104K10
	C 2401 (B,167,93)	CKSSYB222K50	C 3236 (B,87,75)	CKSRYP105K10
	C 2402 (B,166,93)	CCSSCH270J50	C 3237 (B,87,77)	CKSRYP105K10
	C 2403 (B,158,84)	CKSSYB104K16	C 3238 (B,93,83)	CKSRYP105K10
	C 2404 (A,160,95)	CEVW470M16	C 3239 (B,90,84)	CKSRYP105K10
	C 2405 (A,168,94)	CEVW101M16	C 3240 (B,111,75)	CKSRYP105K10
	C 2406 (B,167,91)	CKSRYP105K10	C 3241 (B,109,71)	CKSRYP105K10
	C 2407 (B,163,83)	CKSSYB102K50	C 3242 (B,96,85)	CKSRYP105K10
B	C 2408 (B,165,83)	CKSSYB472K25	C 3243 (B,96,84)	CKSRYP105K10
	C 2409 (B,160,83)	CKSSYB104K16	C 4001 (B,27,35) (A)	CKSSYB104K10
	C 2410 (B,164,95)	CCSSCH681J50	C 4002 (B,21,36) (A)	CKSSYB104K10
	C 2412 (B,161,95) 0.1 uF	CCG1286	C 4004 (B,138,38)	CKSRYP102K50
	C 2414 (A,171,90)	CKSSYB104K10	C 4010 (B,61,14)	CKSSYB102K50
	C 2415 (A,167,87) 22 uF	CCG1254	C 4011 (B,60,13)	CKSSYB102K50
	C 2504 (B,164,16)	CKSSYB104K16	C 4013 (A,8,27) (A)	CKSRYP104K50
	C 2506 (B,155,12)	CCSSCH221J50	C 4014 (B,142,41)	CKSSYB102K50
	C 2509 (A,142,28)	CKSSYB104K10	C 4015 (B,149,20)	CKSSYB102K50
	C 2512 (A,144,35)	CCSSCH390J50	C 4016 (B,150,20)	CKSSYB102K50
	C 2513 (A,167,18) 10 uF	CCG1192	C 4017 (B,144,20)	CCSSCH180J50
C	C 2514 (A,168,18) 10 uF	CCG1192	C 4018 (B,141,20)	CCSSCH180J50
	C 2902 (B,47,12) 4.7 uF	CCG1201	C 4019 (B,72,27)	CKSSYB102K50
	C 2904 (B,50,16) 4.7 uF	CCG1201	C 4020 (B,72,30)	CKSSYB102K50
	C 2905 (B,47,10)	CKSSYB104K10	C 4023 (B,143,27)	CKSSYB102K50
	C 2906 (B,46,16)	CKSSYB104K10	C 4039 (B,156,44)	CKSSYB221K50
	C 2907 (A,32,23)	CEVW221M16	C 4040 (B,157,46)	CKSSYB102K50
	C 2909 (A,48,19)	CKSRYP105K10	C 4041 (A,125,30)	CCSRCH102J50
	C 3006 (A,95,12) 10 uF	CCG1192	C 4042 (B,139,29)	CKSRYP102K50
	C 3007 (A,86,13)	CEVW101M16		
	C 3010 (A,91,16)	CKSSYB102K50		
	C 3125 (A,33,110)	CKSSYB471K50		
D	C 3126 (A,53,65)	CCSSCH102J50		
	C 3127 (B,26,131)	CKSRYP102K50		
	C 3128 (B,33,131)	CKSRYP102K50		
	C 3129 (B,35,131)	CKSRYP102K50		
	C 3130 (B,27,131)	CCSSCH101J50		
	C 3151 (A,162,108)	CKSRYP104K50		
	C 3152 (A,152,108)	CKSRYP104K50		
	C 3154 (A,138,109)	CKSRYP104K50		
	C 3156 (B,145,100)	CCSSCH271J50		
	C 3157 (B,146,94)	CKSRYP102K50		
E	C 3161 (A,145,107)	CCSSCH270J50		
	C 3162 (A,143,107)	CCSSCH270J50		
	C 3163 (A,136,107)	CCSSCH270J50		
	C 3164 (A,134,107)	CCSSCH270J50		
	C 3165 (A,126,107)	CCSSCH270J50		
	C 3166 (A,125,107)	CCSSCH270J50		
	C 3167 (A,148,106) 4.7 uF	CCG1201		
	C 3168 (A,140,106) 4.7 uF	CCG1201		
	C 3169 (A,138,106) 4.7 uF	CCG1201		
	C 3170 (A,131,105) 4.7 uF	CCG1201		
	C 3171 (A,129,106) 4.7 uF	CCG1201		
F	C 3172 (A,122,105) 4.7 uF	CCG1201		
	C 3191 (B,161,101) 10 uF	CCG1192		
	C 3192 (B,155,99)	CKSSYB104K10		
	C 3221 (B,76,75)	CKSSYB104K10		
			IC 5001 (A,115,22) IC	AK4187VN
			IC 5101 (A,108,52) IC	OZ527ILN
			IC 5201 (A,27,56) IC	R1290K103A
			Q 5001 (A,103,36) Transistor	HN1C01FU
			Q 5002 (A,100,39) Transistor	LSCR523UB
			Q 5201 (A,32,62) Transistor	LTC024EEB
			Q 5202 (A,19,59) Transistor	2SAR502UB
			Q 5301 (A,37,58) Transistor	LSAR523UB
			Q 5302 (A,40,53) Transistor	LSCR523UB
			D 5001 (B,120,16) Diode	DZ2S068C
			D 5002 (B,118,18) Diode	DZ2S068C
			D 5003 (B,116,18) Diode	DZ2S068C
			D 5004 (B,114,16) Diode	DZ2S068C
			D 5005 (A,109,32) Diode	DZ2S068C
			D 5006 (A,109,33) Diode	DZ2S068C
			D 5101 (A,107,59) Diode	RB060M-30
			D 5102 (A,80,59) Diode	CRG03
			D 5201 (A,21,50) Diode	DB2J41100
			D 5202 (B,21,66) Diode	RB548W
			D 5203 (B,23,66) Diode	RB548W

B
Unit Number : CXX8381(A)
Unit Number : CXX8383(B)
Unit Name : Service Unit(Monitor)

MISCELLANEOUS

	1	2	3	4
	<u>Circuit Symbol and No.</u>	<u>Part No.</u>	<u>Circuit Symbol and No.</u>	<u>Part No.</u>
	C 5113 (A,114,56)	CKSRYB224K16		
	C 5116 (A,108,61) (B)	CCSSCH471J50	IC 1002 (B,16,14) IC	MM1886A50P
	C 5117 (A,109,61) (B)	CCSSCH471J50	IC 1004 (B,65,29) IC	NJM2855DL1-33
A	C 5120 (A,102,56)	CKSSYB332K50	IC 1251 (A,13,42) IC	BA5839FP
	C 5201 (A,34,59)	CKSSYB224K6R3	IC 1401 (B,28,41) Flash ROM Unit	CWW8811
			IC 1402 (B,46,29) Flash ROM Unit	CWW8812
	C 5203 (A,34,61) 1 uF	DCH1246		
	C 5204 (A,34,60)	CKSSYB224K6R3	IC 1480 (A,65,31) IC	M12L64164A-5TG2Y
	C 5205 (A,27,62)	CKSRYB224K16	IC 1501 (A,40,34) IC	MN2DS0018MA
	C 5206 (A,19,48)	CKSSYB472K50	IC 1953 (B,58,18) IC	S-1135D12-A6
	C 5207 (A,27,52)	CKSSYB102K50	Q 1101 (B,13,60) Transistor	LSCR523UB
			Q 1102 (B,14,57) Transistor	LSCR523UB
	C 5208 (B,17,62) 1 uF	CCG1382		
	C 5209 (B,30,52) 1 uF	DCH1246	Q 1103 (B,10,63) Transistor	2SB1132
	C 5210 (B,24,68) 1 uF	CCG1393	Q 1104 (B,23,55) Transistor	2SB1132
	C 5212 (B,26,64) 1 uF	CCG1393	L 1501 (A,55,31) Inductor	CTF1743
B	C 5213 (B,20,59)	CKSRYB104K50	L 1511 (A,49,18) Chip Beads	VTL1126
			L 1902 (A,18,18) Inductor	CTF1487
	C 5214 (B,21,64)	CKSRYB104K50		
	C 5215 (B,23,63)	CKSRYB104K50	L 1903 (B,64,17) Inductor	CTF1558
	C 5217 (A,23,62) 4.7 uF	CCG1222	L 1904 (A,69,19) Resistor	RS1/16SS0R0J
	C 5218 (A,32,55)	CKSSYB682K25	X 1501 (B,49,19) Crystal Resonator27.000MHz	CSS1823
	C 5219 (A,18,51) 4.7 uF	CCG1212	F 1001 (A,15,20) Chip EMI Filter	DTF1106
			F 1002 (B,64,19) Chip EMI Filter	DTL1106
	C 5220 (A,28,62)	CCSSCH101J50		
	C 5221 (B,26,62)	CKSSYB561K50	S 1 (A,47,56) Lever Switch	CSN1090
	C 5222 (A,23,48) 4.7 uF	CCG1222	S 3 (B,26,14) Lever Switch	CSN1089
	C 5224 (A,30,54)	CKSSYB152K50	VR1101 (A,8,64) Semi-fixed 6.8 kohm(B)	CCP1447
	C 5301 (A,7,37)	CKSSYB104K16	VR1102 (A,8,60) Semi-fixed 15 kohm(B)	CCP1449
C			CN1101 (A,22,64) Connector	CKS6631
	C 5302 (A,6,36) 4.7 uF	CCG1222		
	C 5309 (A,7,29)	CKSSYB102K50	CN1952 (A,42,12) Connector	CKS6025
	C 5310 (A,7,28)	CKSSYB104K16		
	C 5311 (A,7,27)	CKSSYB102K50		
	C 5312 (A,7,26)	CKSSYB104K10		
	C 5319 (A,13,21)	CKSSYB102K50		
	C 5320 (A,14,21)	CKSSYB104K10		
	C 5321 (B,16,32)	CKSSYB102K50		
	C 5323 (B,15,32)	CKSSYB104K16		
	C 5324 (B,12,35) 10 uF(B)	CCG1236		
	C 5325 (B,12,33) 10 uF	CCG1236		
D				
	C 5326 (B,13,39)	CKSSYB102K50	R 1004 (B,13,21)	RS1/16SS4702F
	C 5327 (B,12,41) 10 uF(B)	CCG1236	R 1007 (B,13,22)	RS1/16SS6801F
	C 5328 (B,45,36)	CKSSYB102K50	R 1019 (B,34,8)	RS1/16SS101J
	C 5329 (B,29,37)	CKSSYB102K50	R 1025 (B,37,7)	RS1/16SS101J
	C 5330 (B,20,35)	CKSSYB104K10	R 1027 (A,41,19)	RS1/16SS101J
	C 5331 (B,18,34) 10 uF	CCG1192		
			R 1101 (B,16,58)	RS1/16SS104J
	C 5334 (A,19,40)	CKSSYB104K16	R 1102 (B,11,57)	RS1/16SS104J
	C 5335 (A,17,42) 4.7 uF	CCG1222	R 1103 (B,15,62)	RS1/16SS4300F
	C 5337 (A,15,42)	CKSQYB225K16	R 1104 (B,12,59)	RS1/16SS5100F
	C 5339 (A,21,40)	CKSRYB104K50	R 1105 (B,18,55)	RS1/16SS4300F
	C 5340 (A,22,42)	CKSQYB334K50		
E			R 1106 (B,10,58)	RS1/16SS5600F
	C 5341 (A,22,44)	CKSRYB103K50	R 1109 (B,7,58)	RS1/16SS3R3J
	C 5342 (A,28,40) 2.2 uF	CCG1218	R 1110 (B,17,55)	RS1/16SS3R3J
	C 5343 (A,40,59)	CKSSYB104K10	R 1111 (B,6,64)	RS1/10SR3R3J
	C 5344 (A,37,51) 10 uF	CCG1236	R 1112 (B,6,59)	RS1/10SR3R3J
	C 5347 (B,27,35)	CKSSYB102K50		
			R 1113 (B,16,60)	RS1/10SR3R9J
	C 5348 (B,46,34)	CKSSYB102K50	R 1114 (B,20,58)	RS1/10SR3R3J
	C 5349 (B,34,44)	CKSRYB105K10	R 1115 (B,6,62)	RS1/10SR2R7J
			R 1116 (B,6,63)	RS1/10SR2R7J
			R 1117 (B,18,60)	RS1/10SR3R9J
			R 1118 (B,17,60)	RS1/10SR3R9J
			R 1223 (A,43,51)	RS1/16SS561J
			R 1225 (B,30,8)	RS1/16SS471J
			R 1251 (A,6,49)	RS1/16SS333J
			R 1252 (A,6,48)	RS1/16SS473J
			R 1253 (A,6,47)	RS1/16SS333J
			R 1254 (A,6,46)	RS1/16SS473J
			R 1255 (A,22,49)	RS1/16SS183J
			R 1256 (A,22,46)	RS1/16SS153J
			R 1257 (B,9,38)	RS1/16SS221J

RESISTORS



Unit Number: CWX4609
Unit Name : DVD Core Unit

MISCELLANEOUS

5		6		7		8	
<u>Circuit Symbol and No.</u>		<u>Part No.</u>		<u>Circuit Symbol and No.</u>		<u>Part No.</u>	
R 1258	(A,20,39)	RS1/16SS221J		R 1991	(B,32,17)	RS1/16SS101J	
R 1401	(B,34,29)	RS1/16SS221J		R 1996	(B,36,14)	RS1/16SS2000D	
R 1402	(B,35,48)	RS1/16SS104J		R 1997	(B,36,11)	RS1/16SS101J	
R 1405	(B,56,36)	RS1/16SS104J		R 2002	(B,43,11)	RS1/16SS2000D	A
R 1406	(B,40,46)	RS1/16SS472J		R 2003	(B,43,9)	RS1/16SS101J	
<u>CAPACITORS</u>							
R 1480	(A,73,25)	RAB4CQ560J		C 1002	(B,13,18)	CKSSYB104K16	
R 1481	(A,73,29)	RAB4CQ560J		C 1003	(B,16,19)	CKSSYB104K16	
R 1482	(A,73,33)	RAB4CQ560J		C 1004	(B,16,18) 4.7 uF	CCG1201	
R 1483	(A,73,36)	RAB4CQ560J		C 1005	(B,42,12)	CKSRYB105K16	
R 1484	(A,73,40)	RAB4CQ560J		C 1010	(B,61,24)	CKSQYB225K10	
R 1485	(A,56,23)	RAB4CQ560J		C 1011	(B,65,23)	CKSRYB105K10	
R 1486	(A,56,28)	RAB4CQ560J		C 1015	(A,26,7)	CKSSYB102K50	B
R 1487	(A,57,38)	RAB4CQ560J		C 1016	(B,64,16)	CKSSYB102K50	
R 1488	(A,56,41)	RAB4CQ560J		C 1018	(B,15,21)	CKSSYB104K10	
R 1489	(A,55,30)	RS1/16SS560J		C 1040	(B,60,13)	CCSRCH821J50	
R 1490	(A,73,22)	RS1/16SS560J		C 1041	(B,20,12)	CCSRCH271J50	
R 1501	(B,49,21)	RS1/16SS122J		C 1101	(B,15,54) 10 uF	CCG1192	
R 1503	(B,47,21)	RS1/16SS105J		C 1104	(B,8,57)	CKSSYB104K10	
R 1504	(A,51,18)	RS1/16SS121J		C 1105	(B,19,55)	CKSSYB104K10	
R 1509	(A,21,35)	RS1/16SS102J		C 1106	(B,8,66)	CKSSYB103K16	
R 1510	(A,11,30)	RS1/16SS102J		C 1107	(B,26,54)	CKSSYB103K16	
R 1512	(A,56,32)	RS1/16SS470J		C 1108	(A,20,57)	CKSSYB103K16	
R 1513	(A,24,39)	RS1/16SS203J		C 1109	(A,8,58)	CKSRYB224K16	C
R 1514	(A,25,41)	RS1/16SS183J		C 1110	(A,18,59)	CKSSYB103K16	
R 1516	(A,25,37)	RS1/16SS104J		C 1111	(A,10,67)	CKSRYB224K16	
R 1517	(B,58,23)	RS1/16SS103J		C 1112	(B,18,53) 22 uF	DCH1256	
R 1518	(B,34,32)	RS1/16SS103J		C 1113	(B,9,59) 22 uF	DCH1256	
R 1522	(A,22,38)	RS1/16SS104J		C 1210	(B,77,34)	CKSSYB104K16	
R 1523	(A,23,38)	RS1/16SS221J		C 1251	(B,13,42)	CEVW101M16	
R 1524	(B,30,34)	RS1/16SS472J		C 1252	(B,8,42) 4.7 uF	CCG1222	
R 1525	(A,25,45)	RS1/16SS103J		C 1253	(B,8,40)	CKSSYB104K16	
R 1526	(A,23,41)	RS1/16SS103J		C 1254	(A,7,38)	CKSSYB104K16	
R 1527	(A,36,49)	RS1/16SS682J		C 1255	(A,19,38)	CKSSYB104K16	
R 1528	(B,20,34)	RS1/16SS103J		C 1401	(B,34,28)	CKSSYB104K16	
R 1529	(B,36,22)	RS1/16SS103J		C 1403	(B,40,41)	CKSSYB104K10	D
R 1530	(B,18,34)	RS1/16SS103J		C 1408	(B,58,28)	CKSSYB104K10	
R 1531	(B,34,31)	RS1/16SS103J		C 1410	(B,34,30)	CKSSYB104K16	
R 1533	(A,29,49)	RS1/16SS104J		C 1480	(A,72,20)	CKSSYB104K10	
R 1534	(B,30,49)	RS1/16SS221J		C 1481	(A,73,23)	CKSSYB104K10	
R 1535	(A,23,45)	RS1/16SS104J		C 1482	(A,73,27)	CKSSYB104K10	
R 1536	(B,32,49)	RS1/16SS104J		C 1484	(A,73,31)	CKSSYB104K10	
R 1537	(A,25,47)	RS1/16SS104J		C 1485	(A,73,42)	CKSSYB104K10	
R 1538	(A,56,36)	RS1/16SS104J		C 1487	(A,58,30)	CKSSYB104K10	
R 1539	(B,34,49)	RS1/16SS104J		C 1488	(A,58,26)	CKSSYB104K10	
R 1540	(A,27,47)	RS1/16SS221J		C 1489	(A,65,18) 10 uF	CCG1192	E
R 1541	(A,27,46)	RS1/16SS221J		C 1490	(A,67,19)	CKSSYB102K50	
R 1542	(B,27,35)	RS1/16SS103J		C 1501	(B,62,21) 10 uF	CCG1192	
R 1546	(A,34,49)	RS1/16SS682J		C 1502	(B,55,20) 10 uF	CCG1192	
R 1601	(A,33,18)	RS1/16SS123J		C 1503	(A,55,34)	CKSSYB104K10	
R 1602	(A,33,19)	RS1/16SS123J		C 1504	(A,54,25)	CKSSYB104K10	
R 1603	(B,31,21)	RS1/16SS1002D		C 1505	(A,54,28)	CKSSYB104K10	
R 1604	(A,24,21)	RS1/16SS105J		C 1506	(B,53,35)	CKSSYB104K10	
R 1605	(A,23,24)	RS1/16SS105J		C 1507	(A,54,37)	CKSSYB104K10	
R 1670	(B,41,20)	RS1/16SS1002D		C 1508	(A,54,39)	CKSSYB104K10	
R 1671	(B,43,20)	RS1/16SS2402D		C 1509	(A,54,43)	CKSSYB104K10	
R 1672	(A,40,19)	RS1/16SS2000D		C 1510	(B,51,18)	CCSSCH120J50	F
R 1674	(A,39,18)	RS1/16SS3002D		C 1511	(A,49,19)	CKSSYB104K10	
R 1982	(A,11,63)	RS1/16SS822J		C 1512	(B,46,19)	CCSSCH120J50	
R 1983	(B,42,20)	RS1/16SS1000D					
R 1990	(B,35,20)	RS1/16SS2000D					

	1	2	3	4
	<u>Circuit Symbol and No.</u>	<u>Part No.</u>	<u>Circuit Symbol and No.</u>	<u>Part No.</u>
	C 1513 (A,49,48)	CKSSYB104K10	S 5507 (A,10,13) Push Switch	CSG1155
	C 1514 (B,45,21)	CKSSYB104K10	S 5508 (A,10,38) Push Switch	CSG1155
			S 5509 (A,13,45) Push Switch	CSG1155
A	C 1515 (A,45,20)	CKSSYB104K10		
	C 1516 (A,44,48)	CKSSYB104K10	U 5501 (A,6,92) IR RC REC MODULE	PNJ4833M
	C 1517 (A,42,48)	CKSSYB104K10	CN5501 (B,13,43) Connector	CKS6063
	C 1518 (A,39,48)	CKSSYB104K10		
	C 1519 (A,35,48)	CKSSYB104K10		
			RESISTORS	
	C 1520 (A,28,48)	CKSSYB104K10	R 5502 (B,10,78)	RS1/16SS470J
	C 1521 (A,25,34)	CKSSYB104K10	R 5504 (A,13,41)	RS1/16SS392J
	C 1522 (A,25,39)	CKSSYB104K10	R 5505 (A,14,25)	RS1/16SS472J
	C 1523 (A,21,46)	CKSSYB104K10	R 5506 (A,14,23)	RS1/16SS123J
	C 1524 (A,21,49)	CKSSYB473K16	R 5507 (A,14,78)	RS1/16SS182J
	C 1526 (A,25,38)	CKSSYB103K16	R 5508 (A,14,80)	RS1/16SS222J
B	C 1528 (B,31,49)	CCSSCH471J50	R 5509 (A,14,83)	RS1/16SS472J
	C 1601 (A,33,20)	CKSSYB103K16		
	C 1602 (A,35,18)	CCSSCH101J50		
	C 1603 (A,34,19)	CCSSCH101J50		
			CAPACITORS	
	C 1604 (A,31,18)	CCSSCH680J50	C 5508 (B,7,93) 10 uF	CCG1192
	C 1605 (A,31,19)	CCSSCH680J50		
	C 1606 (A,36,20)	CKSSYB104K10		
	C 1607 (A,21,25) 10 uF	CCG1192		
	C 1608 (A,29,19) 4.7 uF	CCG1201		
	C 1609 (A,27,23)	CKSSYB104K10		
	C 1612 (A,25,25)	CKSSYB104K10		
C	C 1613 (A,25,26)	CKSSYB104K10		
	C 1614 (A,23,25)	CKSSYB104K10		
	C 1615 (A,24,27)	CKSSYB104K10		
	C 1616 (A,25,28)	CKSSYB104K10		
	C 1617 (B,27,29)	CKSSYB104K10		
	C 1618 (A,23,30)	CCSSCH101J50		
	C 1619 (A,24,31)	CKSSYB562K25		
	C 1620 (B,28,31)	CKSSYB224K6R3		
	C 1621 (A,23,32)	CKSSYB224K6R3		
	C 1622 (A,25,32)	CKSSYB333K16		
	C 1623 (A,28,21)	CKSRYB105K10		
D	C 1624 (A,25,33)	CKSSYB104K10		
	C 1625 (A,25,30)	CKSSYB104K10		
	C 1671 (A,43,20)	CKSSYB104K10		
	C 1673 (A,38,18)	CKSSYB104K10		
	C 1674 (B,43,21)	CKSSYB104K10		
	C 1676 (B,38,21)	CKSRYB105K10		
	C 1809 (B,41,18)	CKSSYB102K50		
	C 1953 (B,61,18)	CKSRYB105K10		
	C 1954 (B,55,18)	CKSRYB105K10		
	C 1955 (B,78,41)	CKSSYB104K16		
E	C 1962 (B,41,21)	CKSRYB105K10		



Unit Number: CXX8416

Unit Name : Service Unit(Keyboard)

MISCELLANEOUS

	D 5501 (A,4,45) LED	SMLVN6RGB2UK(B)
	S 5501 (A,13,94) Push Switch	CSG1155
	S 5502 (A,24,94) Push Switch	CSG1155
F	S 5503 (A,10,52) Push Switch	CSG1155
	S 5504 (A,10,77) Push Switch	CSG1155
	S 5505 (A,10,69) Push Switch	CSG1155
	S 5506 (A,10,21) Push Switch	CSG1155