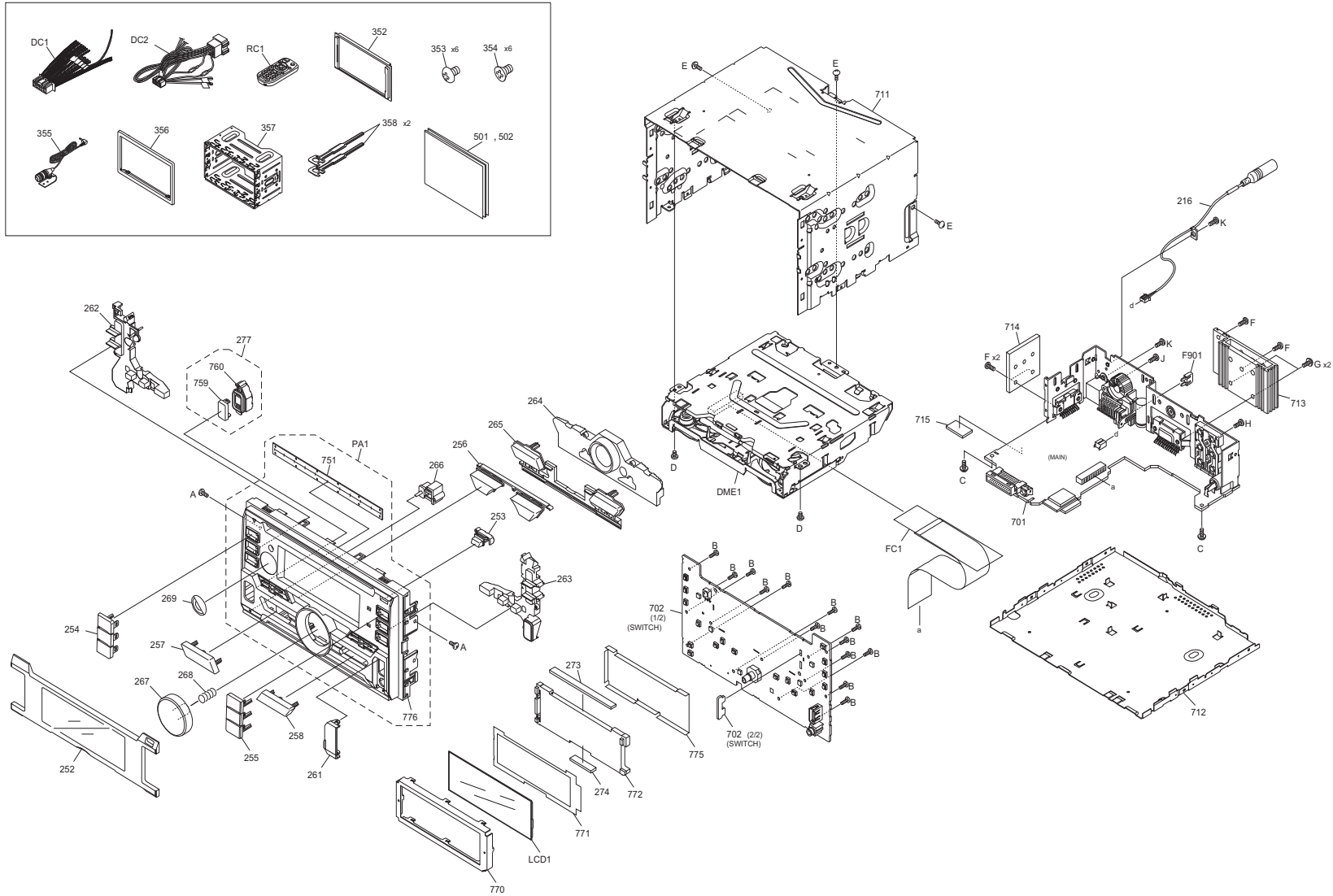


EXPLODED VIEW (UNIT)

Block No.M1MM



Parts with the exploded numbers larger than 700 are not supplied.

created date:2016-01-06

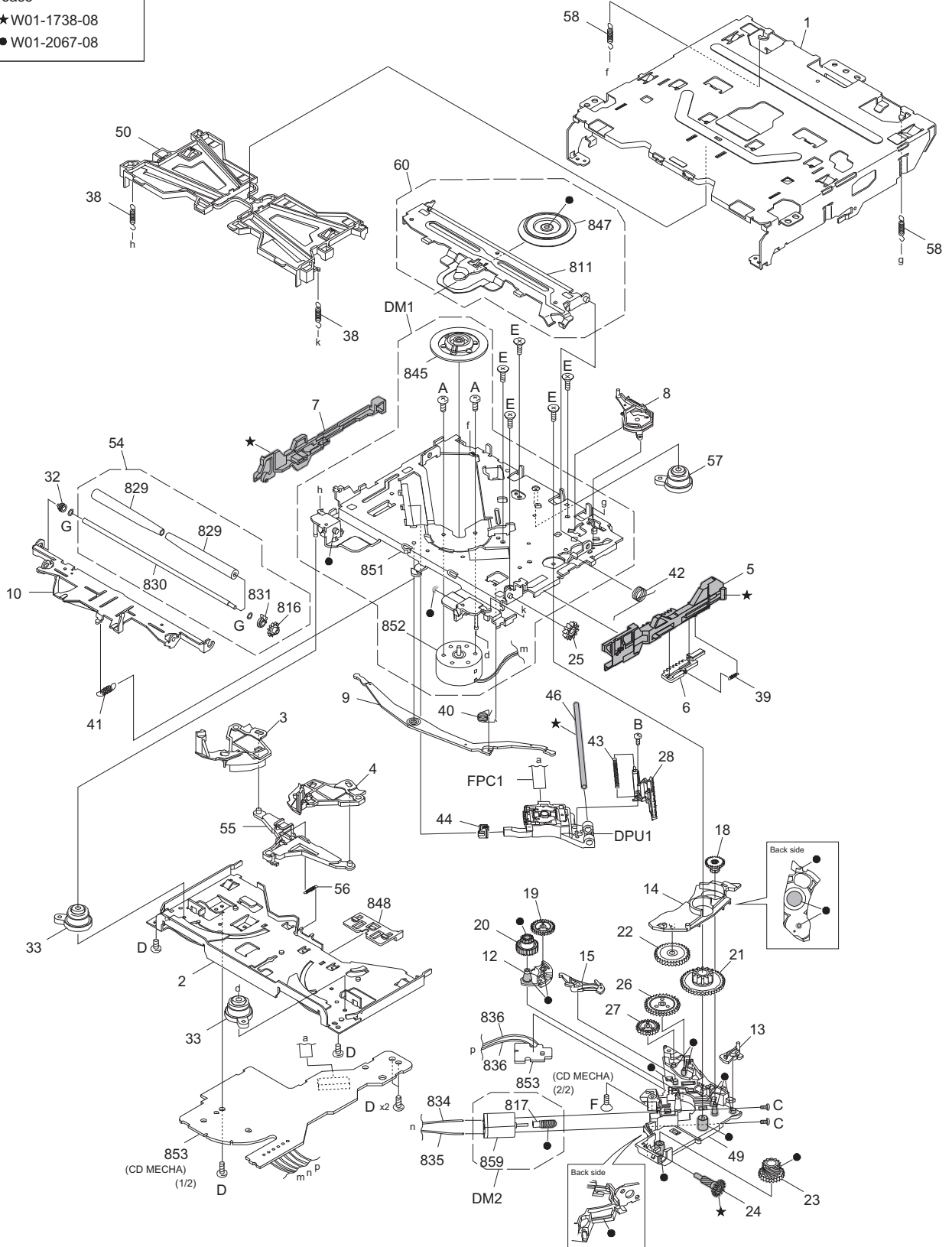
MODEL	MARK	MODEL	MARK	MODEL	MARK	MODEL	MARK
DPX-5000BT	A1	DPX-5000BT	E1	DPX-5000BT	M1	DPX502BT	K1
DPX530BT	K2	DPX592BT	K0				

Safe	Symbol No.	Parts No.	Parts Name	Description	QTY	Local
EXPLODED VIEW (UNIT) <M1MM>						
△	DC1	QAM1623-002	DC CORD		1	A1,M1,K1,K2,K0
△	DC2	QAM1625-002	DC CORD		1	E1
	DME1	XJJ-0410-00	CD MECHANISM		1	
△	F901	FZB10BT-100	BLADE FUSE		1	
	FC1	E3F-0100-00	FLAT CABLE		1	
	LCD1	B3H-0037-00	LCD		1	
	PA1	A6D-0064-02	PANEL ASSY		1	A1,E1,M1
	PA1	A6D-0064-01	PANEL ASSY		1	K1,K2
	PA1	A6D-0064-03	PANEL ASSY		1	K0
	RC1	QAL1303-004	REMOCON		1	A1,M1,K1,K2,K0
	A	QYSDST2004ZA	TAP SCREW	M2 x 4mm	2	
	B	QYSDSF2006ZA	TAP SCREW	M2 x 6mm	13	
	C	GE40377-002A	SPECIAL SCREW		2	
	D	QYSDST2604ZA	TAP SCREW	M2.6 x 4mm	2	
	E	QYSDST2606ZA	TAP SCREW	M2.6 x 6mm	3	
	F	QYSDST2610ZA	TAP SCREW	M2.6 x 10mm	4	
	G	GE40377-005A	SPECIAL SCREW		2	
	H	QYSDSF2608ZA	TAP SCREW	M2.6 x 8mm	1	
	J	QYSPSG3008ZA	TAP SCREW	M3 x 8mm	1	
	K	QYSDST2606ZA	TAP SCREW	M2.6 x 6mm	2	K1,K0
	216	E3A-0212-00	CORD W.CON.		1	K1,K0
	252	B1A-0045-07	FRONT GLASS		1	A1,M1
	252	B1A-0045-05	FRONT GLASS		1	E1
	252	B1A-0045-02	FRONT GLASS		1	K1
	252	B1A-0045-0D	FRONT GLASS		1	K2
	252	B1A-0045-01	FRONT GLASS		1	K0
	253	K2E-0038-00	PUSH KNOB	EJECT	1	
	254	K2F-0041-00	PUSH KNOB	PRESET 1-3	1	
	255	K2F-0042-00	PUSH KNOB	PRESET 4-6	1	
	256	K2F-0043-00	PUSH KNOB	DISP RETURN	1	
	257	K2F-0044-00	PUSH KNOB	FORWARD	1	
	258	K2F-0045-00	PUSH KNOB	UP DOWN	1	
	261	F0G-0126-00	COVER		1	
	262	B1K-0043-00	LIGHTING BOARD	L	1	
	263	B1K-0044-00	LIGHTING BOARD	R	1	
	264	B1K-0045-00	LIGHTING BOARD	VOL	1	
	265	K2F-0046-04	PUSH KNOB		1	A1,M1
	265	K2F-0046-03	PUSH KNOB		1	E1
	265	K2F-0046-05	PUSH KNOB		1	K1,K2
	265	K2F-0046-02	PUSH KNOB		1	K0
	266	K2E-0039-00	PUSH KNOB	RESET	1	
	267	K28-0533-13	KNOB	VOL	1	
	268	G01-4826-04	TOR.COIL SPRING		1	
	269	W0C-0170-00	RF TAG		1	A1,E1,M1
	273	QNZ1122-001	RUBBER CONNE		1	
	274	QNZ1123-001	RUBBER CONNE		1	
	277	K2K-0184-01	KNOB ASSY		1	A1,M1
	277	K2K-0184-00	KNOB ASSY		1	E1,K1,K2,K0
	352	B9H-0002-00	ESCUTCHEON		1	A1,M1,K0
	353	QYSDSP5008ZA	SCREW	M5 x 8mm	6	A1,M1,K0
	354	QYSSSP5008ZA	SCREW	M5 x 8mm	6	A1,M1,K0
	355	QAN0126-001	MICROPHONE		1	
	356	GE20366-001A	TRIM PLATE		1	E1,K1,K2,K0
	357	LV22876-001A	SLEEVE ASSY		1	E1,K1,K2,K0
	358	LV45516-001A	LEVER		2	E1,K1,K2,K0
	501	B5A-0913-00	INST.MANUAL	INDO	1	A1
	501	B5A-0911-00	INST.MANUAL	ENG GER RUS UKR	1	E1
	501	B5A-0912-00	INST.MANUAL	ENG ARA	1	M1
	501	B5A-0909-00	INST.MANUAL	ENG FRE SPA	1	K1,K0
	501	B5A-0910-00	INST.MANUAL	ENG FRE SPA	1	K2
	502	B5A-0911-01	INST.MANUAL	FRE SPA ITA POR DUT	1	E1
	701	-----	MAIN PWB ASSY	NO SERVICE PART	1	A1
	701	-----	MAIN PWB ASSY	NO SERVICE PART	1	E1
	701	-----	MAIN PWB ASSY	NO SERVICE PART	1	M1
	701	-----	MAIN PWB ASSY	NO SERVICE PART	1	K1
	701	-----	MAIN PWB ASSY	NO SERVICE PART	1	K2
	701	-----	MAIN PWB ASSY	NO SERVICE PART	1	K0
	702	-----	SWITCH PWB ASSY	NO SERVICE PART	1	A1,M1,K1,K2,K0
	702	-----	SWITCH PWB ASSY	NO SERVICE PART	1	E1
	711	-----	TOP CHASSIS	NO SERVICE PART	1	
	712	-----	BOTTOM PLATE	NO SERVICE PART	1	
	713	-----	HEAT SINK	NO SERVICE PART	1	
	714	-----	REG HEAT SINK	NO SERVICE PART	1	
	715	-----	COOL SHEET	NO SERVICE PART	1	
	751	-----	BLIND PLATE	NO SERVICE PART	1	
	759	-----	KEY TOP	NO SERVICE PART	1	A1,M1
	759	-----	KEY TOP	NO SERVICE PART	1	E1,K1,K2,K0
	760	-----	KNOB BASE	NO SERVICE PART	1	
	770	-----	LCD CASE	NO SERVICE PART	1	
	771	-----	LIGHTING SHEET	NO SERVICE PART	1	
	772	-----	LCD LENS	NO SERVICE PART	1	
	775	-----	REFLECTION SHT	NO SERVICE PART	1	
	776	-----	PANEL	NO SERVICE PART	1	A1,E1,M1
	776	-----	PANEL	NO SERVICE PART	1	K1,K2
	776	-----	PANEL	NO SERVICE PART	1	K0

EXPLODED VIEW (CD MECHANISM: XJJ-0410-00)

Block No.MBMM

Grease
 ★W01-1738-08
 ●W01-2067-08



Parts with the exploded numbers larger than 800 are not supplied.

MODEL	MARK	MODEL	MARK	MODEL	MARK	MODEL	MARK
DPX-5000BT	A1	DPX-5000BT	E1	DPX-5000BT	M1	DPX502BT	K1
DPX530BT	K2	DPX592BT	K0				

Safe	Symbol No.	Parts No.	Parts Name	Description	QTY	Local
------	------------	-----------	------------	-------------	-----	-------

EXPLODED VIEW (CD MECHANISM: XJJ-0410-00) <MBMM>

DM1	CM-FC2-MD	MD CHASSIS ASSY			1	
DM2	CM-FC2-M	LOADING MOTOR ASSY			1	
DPU1	T2F-0002-00	CD OPT PICKUP			1	
FPC1	QAL1465-001	FPC			1	
A	LV45568-001A	MINI SCREW			2	
B	QYSPSGT1745ZA	TAP SCREW	M1.7 x 4.5mm		1	
C	QYSPSPT2025MA	SCREW	M2 x 2.5mm		2	
D	VKZ4539-054	MINI SCREW			5	
E	LV45818-001A	G.HOLDER SCREW			5	
F	LV45815-001A	M. SHAFT SCREW			1	
G	LV45816-001A	ROLLER WASHER			2	
1	LV11877-003A	OUTER CHASSIS			1	
2	LV11878-004A	LOWER CHASSIS			1	
3	LV3A174-002A	DISC ARM L			1	
4	LV3A175-001A	DISC ARM R			1	
5	LV23057-001A	SLIDER R			1	
6	LV3A178-001A	TRIGGER SLIDER			1	
7	LV23058-001A	SLIDER L			1	
8	LV3A179-002A	TRIGGER ARM			1	
9	LV3A173-001A	JOINT LEVER			1	
10	LV23055-003A	ROLLER LEVER			1	
12	LV3A181-002A	TRANSFER ARM			1	
13	LV45797-002A	SL LOCK CAM			1	
14	LV3A182-003A	SL LOCK ARM			1	
15	LV3A183-001A	PICK LOCK ARM			1	
18	LV3A187-002A	HELICAL GEAR 1			1	
19	LV3A188-001A	TRANSFER GEAR			1	
20	LV3A189-001A	LOAD GEAR H			1	
21	LV3A190-001A	DRIVE GEAR			1	
22	LV3A191-001A	JOINT GEAR			1	
23	LV3A192-001A	WORM GEAR 2			1	
24	LV3A193-001A	HELICAL GEAR 2			1	
25	LV3A194-001A	LOAD GEAR V			1	
26	LV3A195-001A	PICK GEAR 1			1	
27	LV3A196-001A	PICK GEAR 2			1	
28	LV3A197-001A	RACK GEAR			1	
32	LV45796-001A	R.RETAINER L			1	
33	D39-0403-05	DAMPER			2	
38	LV45809-001A	FLOAT SPRING(F)			2	
39	LV45810-001A	TRIGGER SPRING			1	
40	LV45811-001A	LOAD SPRING			1	
41	LV45812-001A	ROLLER SPRING			1	
42	LV45813-002A	CLAMP SPRING			1	
43	LV45814-001A	PICK SPRING			1	
44	LV36813-201A	SUB GUIDE CAP			1	
46	D2B-0037-00	SHAFT			1	
49	LV11881-002A	GEAR HOLDER			1	
50	LV11880-003A	DISC GUIDE			1	
54	CM-FC2-R	ROLLER ASSY			1	
55	D10-7176-03	ARM			1	
56	G01-4809-04	EXTEN.SPRING			1	
57	D39-0404-05	DAMPER			1	
58	LV45835-001A	FLOAT SPRING(R)			2	
60	LV3A271-001A	CL BASE ASSY			1	
811	-----	CLAMP ARM	NO SERVICE PART		1	
816	-----	ROLLER GEAR	NO SERVICE PART		1	
817	-----	WORM GEAR 1	NO SERVICE PART		1	
829	-----	ROLLER	NO SERVICE PART		2	
830	-----	ROLLER SHAFT	NO SERVICE PART		1	
831	-----	R.RETAINER R	NO SERVICE PART		1	
834	-----	SIN TWIST WIRE	NO SERVICE PART		1	
835	-----	SIN TWIST WIRE	NO SERVICE PART		1	
836	-----	SIN TWIST WIRE	NO SERVICE PART		2	
845	-----	HC TURN TABLE	NO SERVICE PART		1	
847	-----	CLAMPER	NO SERVICE PART		1	
848	-----	WIRE HOLDER	NO SERVICE PART		1	
851	-----	MD CHASSIS ASSY	NO SERVICE PART		1	
852	-----	SPINDLE MOTOR	NO SERVICE PART		1	
853	-----	CD MECHA PWB ASSY	NO SERVICE PART		1	
859	-----	MOTOR	NO SERVICE PART		1	

MODEL	MARK	MODEL	MARK	MODEL	MARK	MODEL	MARK
DPX-5000BT	A1	DPX-5000BT	E1	DPX-5000BT	M1	DPX502BT	K1
DPX530BT	K2	DPX592BT	K0				

Safe	Symbol No.	Parts No.	Parts Name	Description	QTY	Local
MAIN PWB ASSY (XJ1-144x-0x) <XJ1>						
	IC101	TC74HCT4053FT	MOS IC		1	K1,K0
	IC102	NJM8065V	ANALOG IC		1	
	IC161	NJM8065V	ANALOG IC		1	
	IC162	NJM8065V	ANALOG IC		1	
	IC163	NJM8065V	ANALOG IC		1	
	IC164	NJM11100F1	ANALOG IC		1	
	IC220	NJM8065V	ANALOG IC		1	
△	IC301	JCV8034	IC		1	
	IC411	MF1337S395901	MCU IC		1	
	IC470	TC7SH08FU-X	IC(DIGITAL)		1	K1,K0
	IC540	BD2242G-G	MOS IC		1	
△	IC601	TEF6657HN-X	IC		1	
△	IC701	STA1080	MPU IC		1	
	IC702	TC7SH08FU-X	IC(DIGITAL)		1	
△	IC821	W3F-0137-00	ROM IC		1	
△	IC822	W25Q16DVSSIG	ROM IC		1	
	IC831	BU4228F-W	IC		1	
	IC841	BR24T02FJ-W-X	IC		1	
	IC851	BD00IA5WEFJ	ANALOG IC		1	
	IC862	MP9943AGQ	ANALOG IC		1	
△	IC901	LV5685PV-H	ANALOG IC		1	
	IC930	BD33IC0WEFJ	ANALOG IC		1	
	IC941	BU33TD3WG	MOS IC		1	
	IC1303	W0C-0167-00	CIRCUIT MODULE		1	
	Q220	2SC1623/5-6/-X	TRANSISTOR		1	
	Q240	IMX9	DUAL TRANSISTOR		1	
	Q270	LTA024EEB-X	DIGI TRANSISTOR		1	
	Q271	LSAR523UBFS8	TRANSISTOR		1	
	Q272	LTC024EEB-X	DIGI TRANSISTOR		1	
	Q273	LTA024EEB-X	DIGI TRANSISTOR		1	
	Q370	IMX9	DUAL TRANSISTOR		1	
	Q380	IMX9	DUAL TRANSISTOR		1	
	Q470	LTC014EEBFS8	DIGI TRANSISTOR		1	K1,K0
	Q471	LTC043TEB-X	DIGI TRANSISTOR		1	K1,K0
	Q880	LTC043EUBFS8	DIGI TRANSISTOR		1	
	Q920	LTA014YEBFS8	DIGI TRANSISTOR		1	
	Q2001	LTA043EEBFS8	DIGI TRANSISTOR		1	
	Q2002	LTC043TEB-X	DIGI TRANSISTOR		1	
	Q2010	LTC043TEB-X	DIGI TRANSISTOR		1	
	Q2011	LTC043TEB-X	DIGI TRANSISTOR		1	
	Q2020	LTC043TEB-X	DIGI TRANSISTOR		1	
	Q2021	LTC043TEB-X	DIGI TRANSISTOR		1	
	Q2030	LTC043TEB-X	DIGI TRANSISTOR		1	
	Q2031	LTC043TEB-X	DIGI TRANSISTOR		1	
	D100	DZ2J075M	ZENER DIODE		1	
	D101	DZ2J075M	ZENER DIODE		1	
	D220	DZ2J068M	ZENER DIODE		1	K1,K0
	D221	DZ2J068M	ZENER DIODE		1	K1,K0
	D222	DZ2J056M	ZENER DIODE		1	
	D271	BAW56-TP-X	SI DIODE		1	
	D273	DA2J101	DIODE		1	
	D370	BAW56-TP-X	SI DIODE		1	
	D390	MBRX130	SCHOTTKY DIODE		1	
	D391	MBR0530-X	SB DIODE		1	
	D400	RB521SM-30-X	SB DIODE		1	
	D401	DZ2J051M	ZENER DIODE		1	
	D471	RSB6.8SM-X	BP Z DIODE		1	
	D472	RSB6.8SM-X	BP Z DIODE		1	K1,K0
	D473	RSB6.8SM-X	BP Z DIODE		1	
	D474	RSB6.8SM-X	BP Z DIODE		1	K1,K0
	D475	DZ2J068M	ZENER DIODE		1	K1,K0
	D476	DZ2J068M	ZENER DIODE		1	K1,K0
	D701	DZ2J051M	ZENER DIODE		1	
	D702	DZ2J051M	ZENER DIODE		1	
	D704	DZ2J051M	ZENER DIODE		1	
	D706	DZ2J051M	ZENER DIODE		1	
	D707	DZ2J051M	ZENER DIODE		1	
	D709	DZ2J051M	ZENER DIODE		1	
	D710	DZ2J051M	ZENER DIODE		1	
	D711	DZ2J051M	ZENER DIODE		1	
	D862	DB22306	SCHOTTKY DIODE		1	
	D902	SK34A-L-X	SB DIODE		1	
	D903	SK34A-L-X	SB DIODE		1	
	D930	GS1J-LTP	DIODE		1	
△	D990	1N5401-BPC04	SI DIODE		1	
	D2005	DA2J101	DIODE		1	
	D2006	DA2J101	DIODE		1	
	D2008	DA2J101	DIODE		1	
	D2009	DA2J101	DIODE		1	
	C103	CK73FXR1C475K	C CAPACITOR	4.7uF 16V K	1	
	C104	CK73FXR1C106K	C CAPACITOR	10uF 16V K	1	
	C105	CK73FXR1C475K	C CAPACITOR	4.7uF 16V K	1	
	C106	CK73GXR1A105K	C CAPACITOR	1uF 10V K	1	
	C120	CC73HCH1H180J	C CAPACITOR	18pF 50V J	1	
	C121	CC73HCH1H180J	C CAPACITOR	18pF 50V J	1	
	C122	CK73FXR1C475K	C CAPACITOR	4.7uF 16V K	1	
	C123	CK73FXR1C475K	C CAPACITOR	4.7uF 16V K	1	
	C124	CC73HCH1H050C	C CAPACITOR	5pF 50V C	1	
	C125	CC73HCH1H050C	C CAPACITOR	5pF 50V C	1	
	C126	CK73FXR1C106K	C CAPACITOR	10uF 16V K	1	

MODEL	MARK	MODEL	MARK	MODEL	MARK	MODEL	MARK
DPX-5000BT	A1	DPX-5000BT	E1	DPX-5000BT	M1	DPX502BT	K1
DPX530BT	K2	DPX592BT	K0				

Safe	Symbol No.	Parts No.	Parts Name	Description	QTY	Local
	C127	CK73FXR1C106K	C CAPACITOR	10uF 16V K	1	
	C146	CK73HBB1H221K	C CAPACITOR	220pF 50V K	1	A1,E1,M1,K0
	C146	CC73HCH1H271J	C CAPACITOR	270pF 50V J	1	K1,K2
	C160	CK73FXR1C106K	C CAPACITOR	10uF 16V K	1	A1,E1,M1,K0
	C160	CK73FXR1C475K	C CAPACITOR	4.7uF 16V K	1	K1,K2
	C161	CK73FXR1C106K	C CAPACITOR	10uF 16V K	1	A1,E1,M1,K0
	C161	CK73FXR1C475K	C CAPACITOR	4.7uF 16V K	1	K1,K2
	C162	CC73HCH1H270J	C CAPACITOR	27pF 50V J	1	A1,E1,M1,K0
	C162	CC73HCH1H470J	C CAPACITOR	47pF 50V J	1	K1,K2
	C163	CK73HBB1H221K	C CAPACITOR	220pF 50V K	1	A1,E1,M1,K0
	C163	CC73HCH1H271J	C CAPACITOR	270pF 50V J	1	K1,K2
	C164	CC73HCH1H270J	C CAPACITOR	27pF 50V J	1	A1,E1,M1,K0
	C164	CC73HCH1H470J	C CAPACITOR	47pF 50V J	1	K1,K2
	C165	CK73FXR1C106K	C CAPACITOR	10uF 16V K	1	A1,E1,M1,K0
	C165	CK73FXR1C475K	C CAPACITOR	4.7uF 16V K	1	K1,K2
	C166	CC73HCH1H270J	C CAPACITOR	27pF 50V J	1	A1,E1,M1,K0
	C166	CC73HCH1H470J	C CAPACITOR	47pF 50V J	1	K1,K2
	C167	CK73FXR1C106K	C CAPACITOR	10uF 16V K	1	
	C169	CK73FXR1C106K	C CAPACITOR	10uF 16V K	1	A1,E1,M1,K0
	C169	CK73FXR1C475K	C CAPACITOR	4.7uF 16V K	1	K1,K2
	C170	CC73HCH1H270J	C CAPACITOR	27pF 50V J	1	A1,E1,M1,K0
	C170	CC73HCH1H470J	C CAPACITOR	47pF 50V J	1	K1,K2
	C171	CK73FXR1C106K	C CAPACITOR	10uF 16V K	1	A1,E1,M1,K0
	C171	CK73FXR1C475K	C CAPACITOR	4.7uF 16V K	1	K1,K2
	C172	CC73HCH1H270J	C CAPACITOR	27pF 50V J	1	A1,E1,M1,K0
	C172	CC73HCH1H470J	C CAPACITOR	47pF 50V J	1	K1,K2
	C173	CK73FXR1C106K	C CAPACITOR	10uF 16V K	1	A1,E1,M1,K0
	C173	CK73FXR1C475K	C CAPACITOR	4.7uF 16V K	1	K1,K2
	C174	CK73HBB1H221K	C CAPACITOR	220pF 50V K	1	A1,E1,M1,K0
	C174	CC73HCH1H271J	C CAPACITOR	270pF 50V J	1	K1,K2
	C175	CC73HCH1H270J	C CAPACITOR	27pF 50V J	1	A1,E1,M1,K0
	C175	CC73HCH1H470J	C CAPACITOR	47pF 50V J	1	K1,K2
	C176	CC73HCH1H270J	C CAPACITOR	27pF 50V J	1	A1,E1,M1,K0
	C176	CC73HCH1H470J	C CAPACITOR	47pF 50V J	1	K1,K2
	C177	CK73FXR1C106K	C CAPACITOR	10uF 16V K	1	
	C179	CK73FXR1C106K	C CAPACITOR	10uF 16V K	1	A1,E1,M1,K0
	C179	CK73FXR1C475K	C CAPACITOR	4.7uF 16V K	1	K1,K2
	C180	CK73FXR1C106K	C CAPACITOR	10uF 16V K	1	A1,E1,M1,K0
	C180	CK73FXR1C475K	C CAPACITOR	4.7uF 16V K	1	K1,K2
	C181	CK73FXR1C106K	C CAPACITOR	10uF 16V K	1	A1,E1,M1,K0
	C181	CK73FXR1C475K	C CAPACITOR	4.7uF 16V K	1	K1,K2
	C182	CC73HCH1H270J	C CAPACITOR	27pF 50V J	1	A1,E1,M1,K0
	C182	CC73HCH1H470J	C CAPACITOR	47pF 50V J	1	K1,K2
	C183	CK73HBB1H221K	C CAPACITOR	220pF 50V K	1	A1,E1,M1,K0
	C183	CC73HCH1H271J	C CAPACITOR	270pF 50V J	1	K1,K2
	C184	CC73HCH1H270J	C CAPACITOR	27pF 50V J	1	A1,E1,M1,K0
	C184	CC73HCH1H470J	C CAPACITOR	47pF 50V J	1	K1,K2
	C185	CK73FXR1C106K	C CAPACITOR	10uF 16V K	1	A1,E1,M1,K0
	C185	CK73FXR1C475K	C CAPACITOR	4.7uF 16V K	1	K1,K2
	C186	CC73HCH1H270J	C CAPACITOR	27pF 50V J	1	A1,E1,M1,K0
	C186	CC73HCH1H470J	C CAPACITOR	47pF 50V J	1	K1,K2
	C187	CK73FXR1C106K	C CAPACITOR	10uF 16V K	1	
	C189	CK73FXR1C106K	C CAPACITOR	10uF 16V K	1	A1,E1,M1,K0
	C189	CK73FXR1C475K	C CAPACITOR	4.7uF 16V K	1	K1,K2
	C190	CK73HBB1H221K	C CAPACITOR	220pF 50V K	1	A1,E1,M1,K0
	C190	CC73HCH1H271J	C CAPACITOR	270pF 50V J	1	K1,K2
	C191	CK73FXR0J106K	C CAPACITOR	10uF 6.3V K	1	
	C192	CK73FXR0J106K	C CAPACITOR	10uF 6.3V K	1	
	C193	CK73HBB1C103K	C CAPACITOR	0.01uF 16V K	1	
	C194	CK73FXR1C106K	C CAPACITOR	10uF 16V K	1	
	C195	CC73HCH1H270J	C CAPACITOR	27pF 50V J	1	A1,E1,M1,K0
	C195	CC73HCH1H470J	C CAPACITOR	47pF 50V J	1	K1,K2
	C196	CC73HCH1H270J	C CAPACITOR	27pF 50V J	1	A1,E1,M1,K0
	C196	CC73HCH1H470J	C CAPACITOR	47pF 50V J	1	K1,K2
	C197	CK73FXR1C106K	C CAPACITOR	10uF 16V K	1	A1,E1,M1,K0
	C197	CK73FXR1C475K	C CAPACITOR	4.7uF 16V K	1	K1,K2
	C198	CK73HBB1H221K	C CAPACITOR	220pF 50V K	1	A1,E1,M1,K0
	C198	CC73HCH1H271J	C CAPACITOR	270pF 50V J	1	K1,K2
	C222	CK73GBB1H333K	C CAPACITOR	0.033uF 50V K	1	
	C223	CK73GBB1H333K	C CAPACITOR	0.033uF 50V K	1	
	C224	CK73HXR1A105K	C CAPACITOR	1uF 10V K	1	
	C225	CK73HXR1A105K	C CAPACITOR	1uF 10V K	1	
	C226	CC73HCH1H220J	C CAPACITOR	22pF 50V J	1	
	C227	CK73HBB1H471K	C CAPACITOR	470pF 50V K	1	
	C228	CK73HXR1A105K	C CAPACITOR	1uF 10V K	1	
	C229	CK73HXR1A105K	C CAPACITOR	1uF 10V K	1	
	C230	CK73HXR1A105K	C CAPACITOR	1uF 10V K	1	
	C231	CK73HBB1H471K	C CAPACITOR	470pF 50V K	1	
	C234	CK73GXR1C105K	C CAPACITOR	1uF 16V K	1	
	C235	CK73GXR1C105K	C CAPACITOR	1uF 16V K	1	
	C236	CK73HBB1A104K	C CAPACITOR	0.1uF 10V K	1	
	C237	CK73HBB1C103K	C CAPACITOR	0.01uF 16V K	1	
	C251	CK73EBB1A106K	C CAPACITOR	10uF 10V K	1	
	C261	CK73EBB1A106K	C CAPACITOR	10uF 10V K	1	
	C273	CK73GXR1A105K	C CAPACITOR	1uF 10V K	1	
	C304	CD04AV1C470M	E CAPACITOR	47uF 16V M	1	
	C311	CK73FBB0J475K	C CAPACITOR	4.7uF 6.3V K	1	
	C312	CK730AV1C105K	C CAPACITOR	1uF 16V K	1	
	C316	CK730AV1C224K	C CAPACITOR	0.22uF 16V K	1	
	C317	CK730AV1C224K	C CAPACITOR	0.22uF 16V K	1	

MODEL	MARK	MODEL	MARK	MODEL	MARK	MODEL	MARK
DPX-5000BT	A1	DPX-5000BT	E1	DPX-5000BT	M1	DPX502BT	K1
DPX530BT	K2	DPX592BT	K0				

Safe	Symbol No.	Parts No.	Parts Name	Description	QTY	Local
	C318	CK730AV1C224K	C CAPACITOR	0.22uF 16V K	1	
	C319	CK730AV1C224K	C CAPACITOR	0.22uF 16V K	1	
	C321	CK73EBB1A106K	C CAPACITOR	10uF 10V K	1	
	C331	CK73EBB1A106K	C CAPACITOR	10uF 10V K	1	
	C341	CK73EBB1A106K	C CAPACITOR	10uF 10V K	1	
	C351	CK73EBB1A106K	C CAPACITOR	10uF 10V K	1	
	C370	CK73GXR1H104K	C CAPACITOR	0.1uF 50V K	1	
	C390	CK73FBB1H224K	C CAPACITOR	0.22uF 50V K	1	
	C391	CK73FBB1H224K	C CAPACITOR	0.22uF 50V K	1	
	C402	CK73GXR1H104K	C CAPACITOR	0.1uF 50V K	1	
	C410	CK73GXR1H104K	C CAPACITOR	0.1uF 50V K	1	
	C472	CK73GXR1H104K	C CAPACITOR	0.1uF 50V K	1	
	C473	CK73FXR1C106K	C CAPACITOR	10uF 16V K	1	K1,K0
	C474	CK73GXR1C225K	C CAPACITOR	2.2uF 16V K	1	K1,K0
	C475	CK73GXR1C225K	C CAPACITOR	2.2uF 16V K	1	K1,K0
	C540	CK73GXR1C105K	C CAPACITOR	1uF 16V K	1	
	C541	CK73GXR1C105K	C CAPACITOR	1uF 16V K	1	
	C542	CK73FXR0J106K	C CAPACITOR	10uF 6.3V K	1	
	C601	CK73FXR0J106K	C CAPACITOR	10uF 6.3V K	1	
	C602	CK73FXR0J106K	C CAPACITOR	10uF 6.3V K	1	
	C603	CK73HBB1A104K	C CAPACITOR	0.1uF 10V K	1	
	C604	CK73HBB1H152K	C CAPACITOR	1500pF 50V K	1	
	C605	CK73GGB1H102K	C CAPACITOR	1000pF 50V K	1	
	C606	CC73HCH1H090D	C CAPACITOR	9pF 50V D	1	
	C607	CC73HCH1H010C	C CAPACITOR	1pF 50V C	1	
	C608	CK73HBB1H102K	C CAPACITOR	1000pF 50V K	1	
	C609	CK73HBB1A104K	C CAPACITOR	0.1uF 10V K	1	
	C610	CC73HCH1H120J	C CAPACITOR	12pF 50V J	1	
	C611	CC73HCH1H010C	C CAPACITOR	1pF 50V C	1	
	C612	CK73GGB1H103K	C CAPACITOR	0.01uF 50V K	1	
	C614	CC73HCH1H220J	C CAPACITOR	22pF 50V J	1	
	C615	CC73GCH1H330J	C CAPACITOR	33pF 50V J	1	
	C616	CK73HBB1H102K	C CAPACITOR	1000pF 50V K	1	
	C617	CK73HBB0J224K	C CAPACITOR	0.22uF 6.3V K	1	
	C618	CK73HBB1A104K	C CAPACITOR	0.1uF 10V K	1	
	C619	CK73HBB1A104K	C CAPACITOR	0.1uF 10V K	1	
	C620	CK73GXR1A105K	C CAPACITOR	1uF 10V K	1	
	C621	CK73GXR1A105K	C CAPACITOR	1uF 10V K	1	
	C702	CK73FXR1C106K	C CAPACITOR	10uF 16V K	1	
	C703	CK73HBB1H103K	C CAPACITOR	0.01uF 50V K	1	
	C704	CC73HCH1H150J	C CAPACITOR	15pF 50V J	1	
	C705	CC73HCH1H150J	C CAPACITOR	15pF 50V J	1	
	C706	CK73FXR1C106K	C CAPACITOR	10uF 16V K	1	
	C707	CK73HBB1E223K	C CAPACITOR	0.022uF 25V K	1	
	C708	CC73GCH1H101J	C CAPACITOR	100pF 50V J	1	
	C709	CC73GCH1H100D	C CAPACITOR	10pF 50V D	1	
	C710	CK73HBB1H222K	C CAPACITOR	2200pF 50V K	1	
	C711	CK73GGB1H471K	C CAPACITOR	470pF 50V K	1	
	C713	CK73GXR1A105K	C CAPACITOR	1uF 10V K	1	
	C714	CK73GGB1H103K	C CAPACITOR	0.01uF 50V K	1	
	C716	CC73GCH1H101J	C CAPACITOR	100pF 50V J	1	
	C719	CK73GXR1A105K	C CAPACITOR	1uF 10V K	1	
	C720	CK73GXR1H104K	C CAPACITOR	0.1uF 50V K	1	
	C722	CK73FXR0J106K	C CAPACITOR	10uF 6.3V K	1	
	C724	CK73GGB1H103K	C CAPACITOR	0.01uF 50V K	1	
	C725	CK73FXR1C106K	C CAPACITOR	10uF 16V K	1	
	C726	CK73GGB1H103K	C CAPACITOR	0.01uF 50V K	1	
	C727	CK73FXR1C106K	C CAPACITOR	10uF 16V K	1	
	C728	CC73GCH1H101J	C CAPACITOR	100pF 50V J	1	
	C729	CK73FXR1A475K	C CAPACITOR	4.7uF 10V K	1	
	C730	CC73GCH1H101J	C CAPACITOR	100pF 50V J	1	
	C731	CK73FXR1A475K	C CAPACITOR	4.7uF 10V K	1	
	C733	CK73GXR0J475K	C CAPACITOR	4.7uF 6.3V K	1	
	C735	CK73GGB1H472K	C CAPACITOR	4700pF 50V K	1	
	C736	CC73HCH1H070D	C CAPACITOR	7pF 50V D	1	
	C737	CC73HCH1H070D	C CAPACITOR	7pF 50V D	1	
	C738	CK73GGB1H472K	C CAPACITOR	4700pF 50V K	1	
	C740	CK73GGB1H472K	C CAPACITOR	4700pF 50V K	1	
	C741	CC73GCH1H100D	C CAPACITOR	10pF 50V D	1	
	C742	CC73GCH1H101J	C CAPACITOR	100pF 50V J	1	
	C750	CK73FXR1A475K	C CAPACITOR	4.7uF 10V K	1	
	C756	CK73HXR1A105K	C CAPACITOR	1uF 10V K	1	
	C757	CC73HCH1H330J	C CAPACITOR	33pF 50V J	1	
	C820	CK73GGB1H472K	C CAPACITOR	4700pF 50V K	1	
	C821	CK73GGB1H471K	C CAPACITOR	470pF 50V K	1	
	C824	CC73GCH1H101J	C CAPACITOR	100pF 50V J	1	
	C830	CK73HBB1H471K	C CAPACITOR	470pF 50V K	1	
	C831	CK73GXR1C105K	C CAPACITOR	1uF 16V K	1	
	C840	CK73GGB1C473K	C CAPACITOR	0.047uF 16V K	1	
	C851	CK73FXR1C475K	C CAPACITOR	4.7uF 16V K	1	
	C868	QEZ0850-157Z	E CAPACITOR	150uF	1	
	C871	CK73HBB0J224K	C CAPACITOR	0.22uF 6.3V K	1	
	C873	CK73EBB1A106K	C CAPACITOR	10uF 10V K	1	
	C876	CK73GXR1H104K	C CAPACITOR	0.1uF 50V K	1	
	C878	CK73EBB1A106K	C CAPACITOR	10uF 10V K	1	
	C880	CK73HBB1A104K	C CAPACITOR	0.1uF 10V K	1	
	C881	CK73GGB1C224K	C CAPACITOR	0.22uF 16V K	1	
	C883	CC73HCH1H150J	C CAPACITOR	15pF 50V J	1	
	C903	CD04AS1C220M	E CAPACITOR	22uF 16V M	1	
	C904	CK73GXR1A105K	C CAPACITOR	1uF 10V K	1	
	C905	CD04AR1C471M	E CAPACITOR	470uF 16V M	1	
	C906	CK73GXR1A105K	C CAPACITOR	1uF 10V K	1	

MODEL	MARK	MODEL	MARK	MODEL	MARK	MODEL	MARK
DPX-5000BT	A1	DPX-5000BT	E1	DPX-5000BT	M1	DPX502BT	K1
DPX530BT	K2	DPX592BT	K0				

Safe	Symbol No.	Parts No.	Parts Name	Description	QTY	Local
	C907	CD04AS0J101M	E CAPACITOR	100uF 6.3V M	1	
	C908	CK73GXR1A105K	C CAPACITOR	1uF 10V K	1	
	C909	CK73GXR1H104K	C CAPACITOR	0.1uF 50V K	1	
	C911	CK73GXR1H104K	C CAPACITOR	0.1uF 50V K	1	
	C912	CK73GXR1A105K	C CAPACITOR	1uF 10V K	1	
	C914	CK73GXR1A105K	C CAPACITOR	1uF 10V K	1	
	C916	CK73GBB1H103K	C CAPACITOR	0.01uF 50V K	1	
	C930	CK73GXR1H104K	C CAPACITOR	0.1uF 50V K	1	
	C931	CK73FXR0J106K	C CAPACITOR	10uF 6.3V K	1	
	C932	CK73GXR1A105K	C CAPACITOR	1uF 10V K	1	
	C940	CK73FXR0J106K	C CAPACITOR	10uF 6.3V K	1	
	C941	CK73GXR1H104K	C CAPACITOR	0.1uF 50V K	1	
	C942	CK73GXR1C105K	C CAPACITOR	1uF 16V K	1	
	C990	QE20981-228	E CAPACITOR	2200uF	1	
	C1003	CK73GXR1H104K	C CAPACITOR	0.1uF 50V K	1	
	C1010	CK73GBB1H471K	C CAPACITOR	470pF 50V K	1	A1,M1,K1,K0
	C1011	CK73GBB1H471K	C CAPACITOR	470pF 50V K	1	A1,M1,K1,K0
	C1012	CK73GBB1H471K	C CAPACITOR	470pF 50V K	1	A1,M1,K1,K0
	C1013	CK73GBB1H471K	C CAPACITOR	470pF 50V K	1	A1,M1,K1,K0
	C1014	CK73GBB1H471K	C CAPACITOR	470pF 50V K	1	A1,M1,K1,K0
	C1015	CK73GBB1H471K	C CAPACITOR	470pF 50V K	1	A1,M1,K1,K0
	C1016	CK73GBB1H471K	C CAPACITOR	470pF 50V K	1	A1,M1,K1,K0
	C1017	CK73GBB1H471K	C CAPACITOR	470pF 50V K	1	A1,M1,K1,K0
	C1020	CK73GBB1C104K	C CAPACITOR	0.1uF 16V K	1	
	C1300	CK73GXR1A105K	C CAPACITOR	1uF 10V K	1	
	C1301	CK73GBB1H103K	C CAPACITOR	0.01uF 50V K	1	
	C1600	CK73GXR1H104K	C CAPACITOR	0.1uF 50V K	1	
	C1601	CK73GXR1H104K	C CAPACITOR	0.1uF 50V K	1	
	C1602	CK73GXR1H104K	C CAPACITOR	0.1uF 50V K	1	
	C1603	CK73GXR1H104K	C CAPACITOR	0.1uF 50V K	1	
	C1604	CK73GXR1H104K	C CAPACITOR	0.1uF 50V K	1	
	C1900	CK73GBB1H103K	C CAPACITOR	0.01uF 50V K	1	
	C2003	CK73GXR1H104K	C CAPACITOR	0.1uF 50V K	1	
	C2005	CK73GBB1H471K	C CAPACITOR	470pF 50V K	1	
	C2006	CC73GCH1H471J	C CAPACITOR	470pF 50V J	1	
	C2007	CK73GBB1H103K	C CAPACITOR	0.01uF 50V K	1	
	C2010	CK73FXR0J106K	C CAPACITOR	10uF 6.3V K	1	
	C2011	CK73GBB1H103K	C CAPACITOR	0.01uF 50V K	1	
	C2012	CK73GXR1H104K	C CAPACITOR	0.1uF 50V K	1	
	C2013	CK73GBB1H471K	C CAPACITOR	470pF 50V K	1	
	C2014	CC73GCH1H101J	C CAPACITOR	100pF 50V J	1	
	C2015	CK73GBB1H472K	C CAPACITOR	4700pF 50V K	1	
	C2016	CK73GBB1H103K	C CAPACITOR	0.01uF 50V K	1	
	C2017	CK73GBB1H472K	C CAPACITOR	4700pF 50V K	1	A1,E1,M1,K2
	C2018	CK73GBB1H103K	C CAPACITOR	0.01uF 50V K	1	
	C2019	CK73GXR1H104K	C CAPACITOR	0.1uF 50V K	1	
	C2021	CK73GBB1H471K	C CAPACITOR	470pF 50V K	1	
	C2022	CK73GXR1H104K	C CAPACITOR	0.1uF 50V K	1	
	C2023	CK73GXR1C105K	C CAPACITOR	1uF 16V K	1	
	C2024	CK73GBB1H471K	C CAPACITOR	470pF 50V K	1	
	C2025	CK73GBB1H103K	C CAPACITOR	0.01uF 50V K	1	
	C2026	CK73FXR0J106K	C CAPACITOR	10uF 6.3V K	1	
	C2029	CC73GCH1H050C	C CAPACITOR	5pF 50V C	1	
	C2030	CC73GCH1H050C	C CAPACITOR	5pF 50V C	1	
	C2031	CK73GBB1H103K	C CAPACITOR	0.01uF 50V K	1	
	C2032	CK73HBB1C103K	C CAPACITOR	0.01uF 16V K	1	
	C2033	CK73GBB1H103K	C CAPACITOR	0.01uF 50V K	1	
	C2034	CK73GBB1H103K	C CAPACITOR	0.01uF 50V K	1	
	C2035	CK73GXR1A105K	C CAPACITOR	1uF 10V K	1	
	C2036	CK73GBB1H103K	C CAPACITOR	0.01uF 50V K	1	
	C2038	CC73GCH1H101J	C CAPACITOR	100pF 50V J	1	
	C2039	CC73GCH1H101J	C CAPACITOR	100pF 50V J	1	
	C2040	CC73GCH1H100D	C CAPACITOR	10pF 50V D	1	
	C2041	CC73HCH1H101J	C CAPACITOR	100pF 50V J	1	
	C2042	CC73GCH1H101J	C CAPACITOR	100pF 50V J	1	
	C2043	CC73GCH1H101J	C CAPACITOR	100pF 50V J	1	
	C2044	CC73GCH1H101J	C CAPACITOR	100pF 50V J	1	
	C2045	CK73GBB1H472K	C CAPACITOR	4700pF 50V K	1	
	C2047	CK73GBB1H103K	C CAPACITOR	0.01uF 50V K	1	
	C2048	CK73GBB1H103K	C CAPACITOR	0.01uF 50V K	1	
	C2049	CK73GBB1H103K	C CAPACITOR	0.01uF 50V K	1	
	C2050	CK73GBB1H103K	C CAPACITOR	0.01uF 50V K	1	
	C2051	CK73HBB1C103K	C CAPACITOR	0.01uF 16V K	1	
	C2052	CK73HBB1C103K	C CAPACITOR	0.01uF 16V K	1	
	C2055	CK73GBB1H103K	C CAPACITOR	0.01uF 50V K	1	
	C2056	CK73HBB1H471K	C CAPACITOR	470pF 50V K	1	
	C2058	CK73GBB1H103K	C CAPACITOR	0.01uF 50V K	1	
	C2060	CK73GBB1H472K	C CAPACITOR	4700pF 50V K	1	
	C2061	CK73GBB1H103K	C CAPACITOR	0.01uF 50V K	1	
	C2062	CK73EBB1E105K	C CAPACITOR	1uF 25V K	1	
	C2063	CK73GBB1H103K	C CAPACITOR	0.01uF 50V K	1	
	C2064	CC73GCH1H101J	C CAPACITOR	100pF 50V J	1	
	C2065	CK73GXR1A105K	C CAPACITOR	1uF 10V K	1	
	C2066	CK73GXR1A105K	C CAPACITOR	1uF 10V K	1	
	C2067	CC73GCH1H101J	C CAPACITOR	100pF 50V J	1	
	C2069	CK73HBB1E223K	C CAPACITOR	0.022uF 25V K	1	
	C2070	RK73GB2A332J	MG RESISTOR	3.3kΩ 1/10W J	1	
	C2072	CK73HBB1H472K	C CAPACITOR	4700pF 50V K	1	
	C2073	CC73HCH1H101J	C CAPACITOR	100pF 50V J	1	
	C2074	CK73EBB1E105K	C CAPACITOR	1uF 25V K	1	

MODEL	MARK	MODEL	MARK	MODEL	MARK	MODEL	MARK
DPX-5000BT	A1	DPX-5000BT	E1	DPX-5000BT	M1	DPX502BT	K1
DPX530BT	K2	DPX592BT	K0				

Safe	Symbol No.	Parts No.	Parts Name	Description	QTY	Local
	C2077	CK73EBB1E105K	C CAPACITOR	1uF 25V K	1	
	C2080	CC73GCH1H050C	C CAPACITOR	5pF 50V C	1	
	C2081	CK73GBB1H103K	C CAPACITOR	0.01uF 50V K	1	
	C2083	CK73GBB1H103K	C CAPACITOR	0.01uF 50V K	1	
	C2086	CK73GBB1H103K	C CAPACITOR	0.01uF 50V K	1	
	C2087	CK73FXR0J106K	C CAPACITOR	10uF 6.3V K	1	
	C2088	CK73FXR0J106K	C CAPACITOR	10uF 6.3V K	1	
	C2089	CK73GXR0J475K	C CAPACITOR	4.7uF 6.3V K	1	
	C2090	CK73GXR0J475K	C CAPACITOR	4.7uF 6.3V K	1	
	C2091	CK73HBB1H331K	C CAPACITOR	330pF 50V K	1	
	C2092	CK73HBB1H331K	C CAPACITOR	330pF 50V K	1	
	C2093	CK73FXR1A106K	C CAPACITOR	10uF 10V K	1	
	C2094	CK73GXR0J475K	C CAPACITOR	4.7uF 6.3V K	1	
	C2095	CK73GXR0J475K	C CAPACITOR	4.7uF 6.3V K	1	
	C2096	CK73HBB1H331K	C CAPACITOR	330pF 50V K	1	
	C2097	CK73HBB1H331K	C CAPACITOR	330pF 50V K	1	
	C2098	CK73FXR1A106K	C CAPACITOR	10uF 10V K	1	
	C2099	CK73GXR0J475K	C CAPACITOR	4.7uF 6.3V K	1	
	C2100	CK73GXR0J475K	C CAPACITOR	4.7uF 6.3V K	1	
	C2101	CK73HBB1H331K	C CAPACITOR	330pF 50V K	1	
	C2102	CK73HBB1H331K	C CAPACITOR	330pF 50V K	1	
	C2103	CK73FXR1A106K	C CAPACITOR	10uF 10V K	1	
	C2105	CK73HBB1C103K	C CAPACITOR	0.01uF 16V K	1	
	C2106	CK73HBB1H471K	C CAPACITOR	470pF 50V K	1	
	C2107	CK73HBB1H471K	C CAPACITOR	470pF 50V K	1	
	C2108	CK73GBB1H471K	C CAPACITOR	470pF 50V K	1	
	C2109	CK73GBB1H471K	C CAPACITOR	470pF 50V K	1	
	C2110	CC73GCH1H101J	C CAPACITOR	100pF 50V J	1	
	C2111	CK73GBB1H472K	C CAPACITOR	4700pF 50V K	1	
	C2112	CC73GCH1H101J	C CAPACITOR	100pF 50V J	1	
	C2114	CK73GBB1H472K	C CAPACITOR	4700pF 50V K	1	
	C2115	CK73GBB1H471K	C CAPACITOR	470pF 50V K	1	
	C2116	CK73GBB1H103K	C CAPACITOR	0.01uF 50V K	1	
	C2117	CC73HCH1H101J	C CAPACITOR	100pF 50V J	1	
	C2118	CD04AR1C471M	E CAPACITOR	470uF 16V M	1	
	C2120	CK73GBB1H103K	C CAPACITOR	0.01uF 50V K	1	
	C2121	CK73GBB1H103K	C CAPACITOR	0.01uF 50V K	1	
	R100	RK73GB2A471J	MG RESISTOR	470Ω 1/10W J	1	
	R101	RK73HB1J000J	MG RESISTOR	0Ω 1/16W J	1	
	R102	RK73HB1J000J	MG RESISTOR	0Ω 1/16W J	1	
	R105	RK73GB2A000J	MG RESISTOR	0Ω 1/10W J	1	A1,E1,M1,K2
	R106	RK73HB1J000J	MG RESISTOR	0Ω 1/16W J	1	A1,E1,M1,K2
	R107	RK73GB2A000J	MG RESISTOR	0Ω 1/10W J	1	A1,E1,M1,K2
	R110	RK73HB1J473J	MG RESISTOR	47kΩ 1/16W J	1	K1,K0
	R111	RK73HB1J473J	MG RESISTOR	47kΩ 1/16W J	1	K1,K0
	R112	RK73HB1J473J	MG RESISTOR	47kΩ 1/16W J	1	K1,K0
	R113	RK73GB2A473J	MG RESISTOR	47kΩ 1/10W J	1	K1,K0
	R114	RK73HB1J473J	MG RESISTOR	47kΩ 1/16W J	1	K1,K0
	R115	RK73HB1J473J	MG RESISTOR	47kΩ 1/16W J	1	K1,K0
	R120	RK73HB1J913J	MG RESISTOR	91kΩ 1/16W J	1	
	R121	RK73HB1J913J	MG RESISTOR	91kΩ 1/16W J	1	
	R122	RK73HB1J913J	MG RESISTOR	91kΩ 1/16W J	1	
	R123	RK73HB1J913J	MG RESISTOR	91kΩ 1/16W J	1	
	R124	RK73HB1J473J	MG RESISTOR	47kΩ 1/16W J	1	
	R125	RK73HB1J473J	MG RESISTOR	47kΩ 1/16W J	1	
	R126	RK73HB1J473J	MG RESISTOR	47kΩ 1/16W J	1	
	R127	RK73HB1J473J	MG RESISTOR	47kΩ 1/16W J	1	
	R146	RK73GB2A123J	MG RESISTOR	12kΩ 1/10W J	1	A1,E1,M1,K0
	R146	RK73GB2A183J	MG RESISTOR	18kΩ 1/10W J	1	K1,K2
	R147	RK73HB1J000J	MG RESISTOR	0Ω 1/16W J	1	
	R148	RK73HB1J153J	MG RESISTOR	15kΩ 1/16W J	1	A1,E1,M1,K0
	R148	RK73HB1J752J	MG RESISTOR	7.5kΩ 1/16W J	1	K1,K2
	R149	RK73HB1J000J	MG RESISTOR	0Ω 1/16W J	1	
	R150	RK73GB2A123J	MG RESISTOR	12kΩ 1/10W J	1	A1,E1,M1,K0
	R150	RK73GB2A183J	MG RESISTOR	18kΩ 1/10W J	1	K1,K2
	R151	RK73HB1J153J	MG RESISTOR	15kΩ 1/16W J	1	A1,E1,M1,K0
	R151	RK73HB1J752J	MG RESISTOR	7.5kΩ 1/16W J	1	K1,K2
	R152	RK73GB2A120J	MG RESISTOR	12Ω 1/10W J	1	
	R153	RK73GB2A200J	MG RESISTOR	20Ω 1/10W J	1	
	R154	RK73GB2A120J	MG RESISTOR	12Ω 1/10W J	1	
	R155	RK73GB2A200J	MG RESISTOR	20Ω 1/10W J	1	
	R156	RK73GB2A200J	MG RESISTOR	20Ω 1/10W J	1	
	R157	RK73GB2A200J	MG RESISTOR	20Ω 1/10W J	1	
	R158	RK73GB2A000J	MG RESISTOR	0Ω 1/10W J	1	
	R159	RK73GB2A000J	MG RESISTOR	0Ω 1/10W J	1	
	R160	RK73HB1J000J	MG RESISTOR	0Ω 1/16W J	1	
	R161	RK73GB2A202J	MG RESISTOR	2kΩ 1/10W J	1	A1,E1,M1,K0
	R161	RK73GB2A822J	MG RESISTOR	8.2kΩ 1/10W J	1	K1,K2
	R162	RK73HB1J823J	MG RESISTOR	82kΩ 1/16W J	1	A1,E1,M1,K0
	R162	RK73HB1J753J	MG RESISTOR	75kΩ 1/16W J	1	K1,K2
	R163	RK73HB1J153J	MG RESISTOR	15kΩ 1/16W J	1	A1,E1,M1,K0
	R163	RK73HB1J752J	MG RESISTOR	7.5kΩ 1/16W J	1	K1,K2
	R164	RK73HB1J823J	MG RESISTOR	82kΩ 1/16W J	1	A1,E1,M1,K0
	R164	RK73HB1J753J	MG RESISTOR	75kΩ 1/16W J	1	K1,K2
	R165	RK73GB2A123J	MG RESISTOR	12kΩ 1/10W J	1	A1,E1,M1,K0
	R165	RK73GB2A183J	MG RESISTOR	18kΩ 1/10W J	1	K1,K2
	R166	RK73HB1J153J	MG RESISTOR	15kΩ 1/16W J	1	A1,E1,M1,K0
	R166	RK73HB1J752J	MG RESISTOR	7.5kΩ 1/16W J	1	K1,K2
	R167	RK73GB2A120J	MG RESISTOR	12Ω 1/10W J	1	
	R168	RK73GB2A200J	MG RESISTOR	20Ω 1/10W J	1	
	R169	RK73HB1J153J	MG RESISTOR	15kΩ 1/16W J	1	A1,E1,M1,K0
	R169	RK73HB1J752J	MG RESISTOR	7.5kΩ 1/16W J	1	K1,K2

MODEL	MARK	MODEL	MARK	MODEL	MARK	MODEL	MARK
DPX-5000BT	A1	DPX-5000BT	E1	DPX-5000BT	M1	DPX502BT	K1
DPX530BT	K2	DPX592BT	K0				

Safe	Symbol No.	Parts No.	Parts Name	Description	QTY	Local
	R170	RK73GB2A202J	MG RESISTOR	2kΩ 1/10W J	1	A1,E1,M1,K0
	R170	RK73GB2A822J	MG RESISTOR	8.2kΩ 1/10W J	1	K1,K2
	R171	RK73HB1J823J	MG RESISTOR	82kΩ 1/16W J	1	A1,E1,M1,K0
	R171	RK73HB1J753J	MG RESISTOR	75kΩ 1/16W J	1	K1,K2
	R172	RK73HB1J823J	MG RESISTOR	82kΩ 1/16W J	1	A1,E1,M1,K0
	R172	RK73HB1J753J	MG RESISTOR	75kΩ 1/16W J	1	K1,K2
	R173	RK73GB2A202J	MG RESISTOR	2kΩ 1/10W J	1	A1,E1,M1,K0
	R173	RK73GB2A822J	MG RESISTOR	8.2kΩ 1/10W J	1	K1,K2
	R174	RK73HB1J823J	MG RESISTOR	82kΩ 1/16W J	1	A1,E1,M1,K0
	R174	RK73HB1J753J	MG RESISTOR	75kΩ 1/16W J	1	K1,K2
	R175	RK73HB1J153J	MG RESISTOR	15kΩ 1/16W J	1	A1,E1,M1,K0
	R175	RK73HB1J752J	MG RESISTOR	7.5kΩ 1/16W J	1	K1,K2
	R176	RK73HB1J823J	MG RESISTOR	82kΩ 1/16W J	1	A1,E1,M1,K0
	R176	RK73HB1J753J	MG RESISTOR	75kΩ 1/16W J	1	K1,K2
	R177	RK73GB2A120J	MG RESISTOR	12Ω 1/10W J	1	
	R178	RK73GB2A123J	MG RESISTOR	12kΩ 1/10W J	1	A1,E1,M1,K0
	R178	RK73GB2A183J	MG RESISTOR	18kΩ 1/10W J	1	K1,K2
	R179	RK73HB1J000J	MG RESISTOR	0Ω 1/16W J	1	
	R180	RK73HB1J153J	MG RESISTOR	15kΩ 1/16W J	1	A1,E1,M1,K0
	R180	RK73HB1J752J	MG RESISTOR	7.5kΩ 1/16W J	1	K1,K2
	R181	RK73HB1J153J	MG RESISTOR	15kΩ 1/16W J	1	A1,E1,M1,K0
	R181	RK73HB1J752J	MG RESISTOR	7.5kΩ 1/16W J	1	K1,K2
	R182	RK73GB2A202J	MG RESISTOR	2kΩ 1/10W J	1	A1,E1,M1,K0
	R182	RK73GB2A822J	MG RESISTOR	8.2kΩ 1/10W J	1	K1,K2
	R183	RK73HB1J823J	MG RESISTOR	82kΩ 1/16W J	1	A1,E1,M1,K0
	R183	RK73HB1J753J	MG RESISTOR	75kΩ 1/16W J	1	K1,K2
	R184	RK73GH2A392D	MG RESISTOR	3.9kΩ 1/10W D	1	
	R185	RK73GB2A123J	MG RESISTOR	12kΩ 1/10W J	1	A1,E1,M1,K0
	R185	RK73GB2A183J	MG RESISTOR	18kΩ 1/10W J	1	K1,K2
	R186	RK73HB1J823J	MG RESISTOR	82kΩ 1/16W J	1	A1,E1,M1,K0
	R186	RK73HB1J753J	MG RESISTOR	75kΩ 1/16W J	1	K1,K2
	R187	RK73HB1J153J	MG RESISTOR	15kΩ 1/16W J	1	A1,E1,M1,K0
	R187	RK73HB1J752J	MG RESISTOR	7.5kΩ 1/16W J	1	K1,K2
	R188	RK73HB1J823J	MG RESISTOR	82kΩ 1/16W J	1	A1,E1,M1,K0
	R188	RK73HB1J753J	MG RESISTOR	75kΩ 1/16W J	1	K1,K2
	R189	RK73HB1J000J	MG RESISTOR	0Ω 1/16W J	1	
	R190	RK73GB2A202J	MG RESISTOR	2kΩ 1/10W J	1	A1,E1,M1,K0
	R190	RK73GB2A822J	MG RESISTOR	8.2kΩ 1/10W J	1	K1,K2
	R191	RK73HB1J153J	MG RESISTOR	15kΩ 1/16W J	1	A1,E1,M1,K0
	R191	RK73HB1J752J	MG RESISTOR	7.5kΩ 1/16W J	1	K1,K2
	R192	RK73GB2A200J	MG RESISTOR	20Ω 1/10W J	1	
	R193	RK73HB1J153J	MG RESISTOR	15kΩ 1/16W J	1	A1,E1,M1,K0
	R193	RK73HB1J752J	MG RESISTOR	7.5kΩ 1/16W J	1	K1,K2
	R194	RK73GB2A202J	MG RESISTOR	2kΩ 1/10W J	1	A1,E1,M1,K0
	R194	RK73GB2A822J	MG RESISTOR	8.2kΩ 1/10W J	1	K1,K2
	R195	RK73HB1J823J	MG RESISTOR	82kΩ 1/16W J	1	A1,E1,M1,K0
	R195	RK73HB1J753J	MG RESISTOR	75kΩ 1/16W J	1	K1,K2
	R196	RK73HB1J823J	MG RESISTOR	82kΩ 1/16W J	1	A1,E1,M1,K0
	R196	RK73HB1J753J	MG RESISTOR	75kΩ 1/16W J	1	K1,K2
	R197	RK73HB1J823J	MG RESISTOR	82kΩ 1/16W J	1	A1,E1,M1,K0
	R197	RK73HB1J753J	MG RESISTOR	75kΩ 1/16W J	1	K1,K2
	R198	RK73GH2A102D	MG RESISTOR	1kΩ 1/10W D	1	
	R199	RK73GB2A123J	MG RESISTOR	12kΩ 1/10W J	1	A1,E1,M1,K0
	R199	RK73GB2A183J	MG RESISTOR	18kΩ 1/10W J	1	K1,K2
	R200	RK73GB2A000J	MG RESISTOR	0Ω 1/10W J	1	
	R201	RK73GB2A000J	MG RESISTOR	0Ω 1/10W J	1	
	R220	RK73HB1J101J	MG RESISTOR	100Ω 1/16W J	1	
	R221	RK73HB1J101J	MG RESISTOR	100Ω 1/16W J	1	
	R222	RK73GB2A000J	MG RESISTOR	0Ω 1/10W J	1	
	R223	RK73HB1J822J	MG RESISTOR	8.2kΩ 1/16W J	1	
	R224	RK73HB1J103J	MG RESISTOR	10kΩ 1/16W J	1	
	R225	RK73HB1J333J	MG RESISTOR	33kΩ 1/16W J	1	
	R226	RK73HB1J122J	MG RESISTOR	1.2kΩ 1/16W J	1	
	R227	RK73HB1J124J	MG RESISTOR	120kΩ 1/16W J	1	
	R229	RK73HB1J122J	MG RESISTOR	1.2kΩ 1/16W J	1	
	R230	RK73HB1J124J	MG RESISTOR	120kΩ 1/16W J	1	
	R231	RK73HB1J103J	MG RESISTOR	10kΩ 1/16W J	1	
	R232	RK73HB1J103J	MG RESISTOR	10kΩ 1/16W J	1	
	R233	RK73GB2A681J	MG RESISTOR	680Ω 1/10W J	1	
	R234	RK73GB2A222J	MG RESISTOR	2.2kΩ 1/10W J	1	
	R236	RK73GB2A000J	MG RESISTOR	0Ω 1/10W J	1	
	R237	RK73GB2A471J	MG RESISTOR	470Ω 1/10W J	1	
	R238	RK73HB1J103J	MG RESISTOR	10kΩ 1/16W J	1	
	R239	RK73HB1J000J	MG RESISTOR	0Ω 1/16W J	1	
	R240	RK73HB1J153J	MG RESISTOR	15kΩ 1/16W J	1	A1,E1,M1,K0
	R240	RK73HB1J752J	MG RESISTOR	7.5kΩ 1/16W J	1	K1,K2
	R250	RK73HB1J181J	MG RESISTOR	180Ω 1/16W J	1	
	R251	RK73HB1J223J	MG RESISTOR	22kΩ 1/16W J	1	
	R252	RK73GB2A331J	MG RESISTOR	330Ω 1/10W J	1	
	R254	RK73HB1J472J	MG RESISTOR	4.7kΩ 1/16W J	1	
	R260	RK73HB1J181J	MG RESISTOR	180Ω 1/16W J	1	
	R261	RK73HB1J223J	MG RESISTOR	22kΩ 1/16W J	1	
	R262	RK73GB2A331J	MG RESISTOR	330Ω 1/10W J	1	
	R264	RK73HB1J472J	MG RESISTOR	4.7kΩ 1/16W J	1	
	R270	RK73GB2A104J	MG RESISTOR	100kΩ 1/10W J	1	
	R271	RK73GB2A331J	MG RESISTOR	330Ω 1/10W J	1	
	R272	RK73HB1J303J	MG RESISTOR	30kΩ 1/16W J	1	
	R273	RK73EB2E223J	MG RESISTOR	22kΩ 1/4W J	1	
	R302	RK73GB2A821J	MG RESISTOR	820Ω 1/10W J	1	
	R303	RK73EB2E3R0J	MG RESISTOR	3Ω 1/4W J	1	

MODEL	MARK	MODEL	MARK	MODEL	MARK	MODEL	MARK
DPX-5000BT	A1	DPX-5000BT	E1	DPX-5000BT	M1	DPX502BT	K1
DPX530BT	K2	DPX592BT	K0				

Safe	Symbol No.	Parts No.	Parts Name	Description	QTY	Local
	R304	RK73GB2A473J	MG RESISTOR	47kΩ 1/10W J	1	
	R320	RK73GB2A181J	MG RESISTOR	180Ω 1/10W J	1	
	R321	RK73HB1J223J	MG RESISTOR	22kΩ 1/16W J	1	
	R322	RK73HB1J472J	MG RESISTOR	4.7kΩ 1/16W J	1	
	R323	RK73GB2A331J	MG RESISTOR	330Ω 1/10W J	1	
	R330	RK73GB2A181J	MG RESISTOR	180Ω 1/10W J	1	
	R331	RK73HB1J223J	MG RESISTOR	22kΩ 1/16W J	1	
	R332	RK73HB1J472J	MG RESISTOR	4.7kΩ 1/16W J	1	
	R333	RK73GB2A331J	MG RESISTOR	330Ω 1/10W J	1	
	R340	RK73GB2A181J	MG RESISTOR	180Ω 1/10W J	1	
	R341	RK73HB1J223J	MG RESISTOR	22kΩ 1/16W J	1	
	R342	RK73HB1J472J	MG RESISTOR	4.7kΩ 1/16W J	1	
	R343	RK73GB2A331J	MG RESISTOR	330Ω 1/10W J	1	
	R350	RK73GB2A181J	MG RESISTOR	180Ω 1/10W J	1	
	R351	RK73HB1J223J	MG RESISTOR	22kΩ 1/16W J	1	
	R352	RK73HB1J472J	MG RESISTOR	4.7kΩ 1/16W J	1	
	R353	RK73GB2A331J	MG RESISTOR	330Ω 1/10W J	1	
	R370	RK73GB2A683J	MG RESISTOR	68kΩ 1/10W J	1	
	R371	RK73GB2A123J	MG RESISTOR	12kΩ 1/10W J	1	
	R372	RK73GB2A103J	MG RESISTOR	10kΩ 1/10W J	1	
	R390	RK73EB2E472J	MG RESISTOR	4.7kΩ 1/4W J	1	
	R400	RK73GB2A102J	MG RESISTOR	1kΩ 1/10W J	1	
	R402	RK73HB1J222J	MG RESISTOR	2.2kΩ 1/16W J	1	
	R410	RK73HB1J101J	MG RESISTOR	100Ω 1/16W J	1	
	R411	RK73HB1J101J	MG RESISTOR	100Ω 1/16W J	1	
	R412	RK73HB1J472J	MG RESISTOR	4.7kΩ 1/16W J	1	
	R413	RK73HB1J472J	MG RESISTOR	4.7kΩ 1/16W J	1	
	R414	RK73GB2A472J	MG RESISTOR	4.7kΩ 1/10W J	1	
	R467	RK73HB1J100J	MG RESISTOR	10Ω 1/16W J	1	K1,K0
	R468	RK73HB1J4R7J	MG RESISTOR	4.7Ω 1/16W J	1	K1,K0
	R469	RK73HB1J100J	MG RESISTOR	10Ω 1/16W J	1	K1,K0
	R471	RK73HB1J101J	MG RESISTOR	100Ω 1/16W J	1	K1,K0
	R472	RK73HB1J101J	MG RESISTOR	100Ω 1/16W J	1	K1,K0
	R473	RK73GB2A472J	MG RESISTOR	4.7kΩ 1/10W J	1	K1,K0
	R474	RK73FB2B221J	MG RESISTOR	220Ω 1/8W J	1	K1,K0
	R475	RK73HB1J100J	MG RESISTOR	10Ω 1/16W J	1	K1,K0
	R476	RK73GB2A223J	MG RESISTOR	22kΩ 1/10W J	1	K1,K0
	R477	RK73GB2A104J	MG RESISTOR	100kΩ 1/10W J	1	K1,K0
	R540	RK73GH2A123D	MG RESISTOR	12kΩ 1/10W D	1	
	R542	RK73GB2A222J	MG RESISTOR	2.2kΩ 1/10W J	1	
	R543	RK73GB2A000J	MG RESISTOR	0Ω 1/10W J	1	
	R600	RK73FB2B102J	MG RESISTOR	1kΩ 1/8W J	1	
	R601	RK73HB1J101J	MG RESISTOR	100Ω 1/16W J	1	
	R602	RK73HB1J820J	MG RESISTOR	82Ω 1/16W J	1	
	R603	RK73HB1J105J	MG RESISTOR	1MΩ 1/16W J	1	
	R604	RK73HB1J105J	MG RESISTOR	1MΩ 1/16W J	1	
	R605	RK73HB1J4R7J	MG RESISTOR	4.7Ω 1/16W J	1	
	R611	RK73HB1J101J	MG RESISTOR	100Ω 1/16W J	1	
	R680	RK73GB2A332J	MG RESISTOR	3.3kΩ 1/10W J	1	
	R682	RK73HB1J101J	MG RESISTOR	100Ω 1/16W J	1	
	R683	RK73GB2A000J	MG RESISTOR	0Ω 1/10W J	1	
	R684	RK73HB1J392J	MG RESISTOR	3.9kΩ 1/16W J	1	
	R685	RK73HB1J392J	MG RESISTOR	3.9kΩ 1/16W J	1	
	R690	RK73HB1J000J	MG RESISTOR	0Ω 1/16W J	1	
	R691	RK73HB1J000J	MG RESISTOR	0Ω 1/16W J	1	
	R701	RK73HB1J000J	MG RESISTOR	0Ω 1/16W J	1	
	R702	RK73HB1J222J	MG RESISTOR	2.2kΩ 1/16W J	1	
	R703	RK73HB1J101J	MG RESISTOR	100Ω 1/16W J	1	
	R704	RK73HB1J222J	MG RESISTOR	2.2kΩ 1/16W J	1	
	R705	RK73HB1J101J	MG RESISTOR	100Ω 1/16W J	1	
	R709	RK73HB1J472J	MG RESISTOR	4.7kΩ 1/16W J	1	
	R710	RK73HB1J473J	MG RESISTOR	47kΩ 1/16W J	1	
	R711	RK73HB1J473J	MG RESISTOR	47kΩ 1/16W J	1	
	R712	RK73HB1J473J	MG RESISTOR	47kΩ 1/16W J	1	
	R713	RK73HB1J101J	MG RESISTOR	100Ω 1/16W J	1	
	R714	RK73HB1J473J	MG RESISTOR	47kΩ 1/16W J	1	
	R715	RK73GB2A101J	MG RESISTOR	100Ω 1/10W J	1	
	R718	RK73HB1J472J	MG RESISTOR	4.7kΩ 1/16W J	1	
	R721	RK73HB1J101J	MG RESISTOR	100Ω 1/16W J	1	
	R723	RK73GB2A101J	MG RESISTOR	100Ω 1/10W J	1	
	R725	RK73GB2A101J	MG RESISTOR	100Ω 1/10W J	1	
	R726	RK73HB1J103J	MG RESISTOR	10kΩ 1/16W J	1	
	R730	RK73HB1J222J	MG RESISTOR	2.2kΩ 1/16W J	1	
	R731	RK73GB2A101J	MG RESISTOR	100Ω 1/10W J	1	
	R734	RK73GB2A101J	MG RESISTOR	100Ω 1/10W J	1	
	R737	RK73GB2A101J	MG RESISTOR	100Ω 1/10W J	1	
	R739	RK73GB2A102J	MG RESISTOR	1kΩ 1/10W J	1	
	R740	RK73GB2A472J	MG RESISTOR	4.7kΩ 1/10W J	1	
	R742	RK73HB1J101J	MG RESISTOR	100Ω 1/16W J	1	
	R743	RK73HB1J222J	MG RESISTOR	2.2kΩ 1/16W J	1	
	R744	RK73GB2A101J	MG RESISTOR	100Ω 1/10W J	1	
	R746	RK73HB1J000J	MG RESISTOR	0Ω 1/16W J	1	
	R748	RK73GB2A101J	MG RESISTOR	100Ω 1/10W J	1	
	R750	RK73GB2A101J	MG RESISTOR	100Ω 1/10W J	1	
	R752	RK73GB2A101J	MG RESISTOR	100Ω 1/10W J	1	
	R755	RK73HB1J103J	MG RESISTOR	10kΩ 1/16W J	1	
	R756	RK73GB2A101J	MG RESISTOR	100Ω 1/10W J	1	
	R768	RK73GB2A333J	MG RESISTOR	33kΩ 1/10W J	1	A1,M1
	R768	RK73GB2A393J	MG RESISTOR	39kΩ 1/10W J	1	E1
	R768	RK73GB2A223J	MG RESISTOR	22kΩ 1/10W J	1	K1,K2,K0
	R769	RK73HB1J153J	MG RESISTOR	15kΩ 1/16W J	1	A1,M1
	R769	RK73HB1J822J	MG RESISTOR	8.2kΩ 1/16W J	1	E1

MODEL	MARK	MODEL	MARK	MODEL	MARK	MODEL	MARK
DPX-5000BT	A1	DPX-5000BT	E1	DPX-5000BT	M1	DPX502BT	K1
DPX530BT	K2	DPX592BT	K0				

Safe	Symbol No.	Parts No.	Parts Name	Description	QTY	Local
	R769	RK73HB1J273J	MG RESISTOR	27kΩ 1/16W J	1	K1,K2,K0
	R770	RK73GB2A153J	MG RESISTOR	15kΩ 1/10W J	1	A1
	R770	RK73GB2A223J	MG RESISTOR	22kΩ 1/10W J	1	E1,M1
	R770	RK73GB2A333J	MG RESISTOR	33kΩ 1/10W J	1	K2
	R770	RK73GB2A273J	MG RESISTOR	27kΩ 1/10W J	1	K0
	R771	RK73HB1J333J	MG RESISTOR	33kΩ 1/16W J	1	A1
	R771	RK73HB1J273J	MG RESISTOR	27kΩ 1/16W J	1	E1,M1
	R771	RK73HB1J473J	MG RESISTOR	47kΩ 1/16W J	1	K1
	R771	RK73HB1J153J	MG RESISTOR	15kΩ 1/16W J	1	K2
	R771	RK73HB1J223J	MG RESISTOR	22kΩ 1/16W J	1	K0
	R772	RK73HB1J101J	MG RESISTOR	100Ω 1/16W J	1	
	R777	RK73HB1J101J	MG RESISTOR	100Ω 1/16W J	1	
	R778	RK73HB1J101J	MG RESISTOR	100Ω 1/16W J	1	
	R781	RK73HB1J000J	MG RESISTOR	0Ω 1/16W J	1	
	R782	RK73HB1J000J	MG RESISTOR	0Ω 1/16W J	1	
	R783	RK73HB1J000J	MG RESISTOR	0Ω 1/16W J	1	
	R785	RK73HB1J000J	MG RESISTOR	0Ω 1/16W J	1	
	R788	RK73GH2A823D	MG RESISTOR	82kΩ 1/10W D	1	
	R789	RK73GH2A393D	MG RESISTOR	39kΩ 1/10W D	1	
	R790	RK73GB2A000J	MG RESISTOR	0Ω 1/10W J	1	
	R792	RK73GB2A000J	MG RESISTOR	0Ω 1/10W J	1	
	R794	RK73GB2A101J	MG RESISTOR	100Ω 1/10W J	1	
	R795	RK73HB1J101J	MG RESISTOR	100Ω 1/16W J	1	
	R796	RK73GH2A302D	MG RESISTOR	3kΩ 1/10W D	1	
	R797	RK73HB1J222J	MG RESISTOR	2.2kΩ 1/16W J	1	
	R798	RK73HB1J222J	MG RESISTOR	2.2kΩ 1/16W J	1	
	R799	RK73HB1J105J	MG RESISTOR	1MΩ 1/16W J	1	
	R800	RK73HB1J000J	MG RESISTOR	0Ω 1/16W J	1	
	R801	RK73HB1J222J	MG RESISTOR	2.2kΩ 1/16W J	1	
	R802	RK73HB1J473J	MG RESISTOR	47kΩ 1/16W J	1	E1
	R803	RK73HB1J225J	MG RESISTOR	2.2MΩ 1/16W J	1	A1,M1,K1,K2,K0
	R805	RK73GB2A102J	MG RESISTOR	1kΩ 1/10W J	1	
	R806	RK73HB1J102J	MG RESISTOR	1kΩ 1/16W J	1	
	R808	RK73HB1J222J	MG RESISTOR	2.2kΩ 1/16W J	1	
	R809	RK73HB1J102J	MG RESISTOR	1kΩ 1/16W J	1	
	R820	RK73HB1J473J	MG RESISTOR	47kΩ 1/16W J	1	
	R823	RK73GB2A470J	MG RESISTOR	47Ω 1/10W J	1	
	R824	RK73HB1J473J	MG RESISTOR	47kΩ 1/16W J	1	
	R827	RK73HB1J103J	MG RESISTOR	10kΩ 1/16W J	1	
	R828	RK73GB2A103J	MG RESISTOR	10kΩ 1/10W J	1	
	R829	RK73HB1J000J	MG RESISTOR	0Ω 1/16W J	1	
	R830	RK73GB2A101J	MG RESISTOR	100Ω 1/10W J	1	
	R840	RK73GB2A101J	MG RESISTOR	100Ω 1/10W J	1	
	R841	RK73GB2A101J	MG RESISTOR	100Ω 1/10W J	1	
	R842	RK73GB2A101J	MG RESISTOR	100Ω 1/10W J	1	
	R850	RK73HH1J123D	MG RESISTOR	12kΩ 1/16W D	1	
	R851	RK73HH1J243D	MG RESISTOR	24kΩ 1/16W D	1	
	R868	RK73GB2A512J	MG RESISTOR	5.1kΩ 1/10W J	1	
	R869	RK73GB2A102J	MG RESISTOR	1kΩ 1/10W J	1	
	R871	RK73HB1J393J	MG RESISTOR	39kΩ 1/16W J	1	
	R872	RK73HB1J200J	MG RESISTOR	20Ω 1/16W J	1	
	R873	RK73HH1J183D	MG RESISTOR	18kΩ 1/16W D	1	
	R875	RK73HH1J393D	MG RESISTOR	39kΩ 1/16W D	1	
	R876	RK73HH1J683D	MG RESISTOR	68kΩ 1/16W D	1	
	R878	RK73GB2A103J	MG RESISTOR	10kΩ 1/10W J	1	
	R880	RK73HB1J222J	MG RESISTOR	2.2kΩ 1/16W J	1	
	R889	RK73HB1J332J	MG RESISTOR	3.3kΩ 1/16W J	1	
	R905	RK73GB2A101J	MG RESISTOR	100Ω 1/10W J	1	
	R940	RK73EB2E1R0J	MG RESISTOR	1Ω 1/4W J	1	
	R980	RK73EB2E682J	MG RESISTOR	6.8kΩ 1/4W J	1	
	R981	RK73EB2E682J	MG RESISTOR	6.8kΩ 1/4W J	1	
	R982	RK73EB2E473J	MG RESISTOR	47kΩ 1/4W J	1	
	R984	RK73EB2E473J	MG RESISTOR	47kΩ 1/4W J	1	
	R1070	RK73GB2A102J	MG RESISTOR	1kΩ 1/10W J	1	
	R1300	RK73GB2A562J	MG RESISTOR	5.6kΩ 1/10W J	1	
	R1302	RK73HB1J101J	MG RESISTOR	100Ω 1/16W J	1	
	R1303	RK73HB1J101J	MG RESISTOR	100Ω 1/16W J	1	
	R2001	RK73GB2A000J	MG RESISTOR	0Ω 1/10W J	1	
	R2003	RK73HB1J220J	MG RESISTOR	22Ω 1/16W J	1	
	R2004	RK73HB1J220J	MG RESISTOR	22Ω 1/16W J	1	
	R2005	RK73EB2E2R2J	MG RESISTOR	2.2Ω 1/4W J	1	
	R2007	RK73HB1J222J	MG RESISTOR	2.2kΩ 1/16W J	1	K1,K0
	R2008	RK73HB1J101J	MG RESISTOR	100Ω 1/16W J	1	
	R2009	RK73HB1J101J	MG RESISTOR	100Ω 1/16W J	1	
	R2014	RK73HB1J103J	MG RESISTOR	10kΩ 1/16W J	1	
	R2016	RK73HB1J220J	MG RESISTOR	22Ω 1/16W J	1	
	R2017	RK73HB1J220J	MG RESISTOR	22Ω 1/16W J	1	
	R2020	RK73HB1J000J	MG RESISTOR	0Ω 1/16W J	1	A1,E1,M1,K2
	R2021	RK73HB1J000J	MG RESISTOR	0Ω 1/16W J	1	A1,E1,M1,K2
	R2023	RK73HB1J000J	MG RESISTOR	0Ω 1/16W J	1	A1,E1,M1,K2
	R2025	RK73HB1J000J	MG RESISTOR	0Ω 1/16W J	1	A1,E1,M1,K2
	R2026	RK73GB2A000J	MG RESISTOR	0Ω 1/10W J	1	A1,E1,M1,K2
	R2030	RK73GB2A000J	MG RESISTOR	0Ω 1/10W J	1	K1,K0
	R2031	RK73GB2A000J	MG RESISTOR	0Ω 1/10W J	1	K1,K0
	R2032	RK73GB2A000J	MG RESISTOR	0Ω 1/10W J	1	K1,K0
	R2033	RK73HB1J103J	MG RESISTOR	10kΩ 1/16W J	1	
	R2034	RK73HB1J222J	MG RESISTOR	2.2kΩ 1/16W J	1	
	R2038	RK73EB2E000J	MG RESISTOR	0Ω 1/4W J	1	
	R2039	RK73GH2A100D	MG RESISTOR	10Ω 1/10W D	1	
	R2040	RK73GH2A100D	MG RESISTOR	10Ω 1/10W D	1	

MODEL	MARK	MODEL	MARK	MODEL	MARK	MODEL	MARK
DPX-5000BT	A1	DPX-5000BT	E1	DPX-5000BT	M1	DPX502BT	K1
DPX530BT	K2	DPX592BT	K0				

Safe	Symbol No.	Parts No.	Parts Name	Description	QTY	Local
	R2042	RK73HB1J303J	MG RESISTOR	30kΩ 1/16W J	1	
	R2045	RK73GB2A000J	MG RESISTOR	0Ω 1/10W J	1	
	R2046	RK73GB2A000J	MG RESISTOR	0Ω 1/10W J	1	
	R2047	RK73GB2A000J	MG RESISTOR	0Ω 1/10W J	1	
	R2048	RK73GB2A000J	MG RESISTOR	0Ω 1/10W J	1	
	R2049	RK73GB2A000J	MG RESISTOR	0Ω 1/10W J	1	
	R2050	RK73GB2A000J	MG RESISTOR	0Ω 1/10W J	1	
	R2054	RK73HB1J000J	MG RESISTOR	0Ω 1/16W J	1	
	R2055	RK73HB1J103J	MG RESISTOR	10kΩ 1/16W J	1	
	R2056	RK73HB1J432J	MG RESISTOR	4.3kΩ 1/16W J	1	
	R2057	RK73HB1J432J	MG RESISTOR	4.3kΩ 1/16W J	1	
	R2058	RK73HB1J103J	MG RESISTOR	10kΩ 1/16W J	1	
	R2059	RK73HB1J103J	MG RESISTOR	10kΩ 1/16W J	1	
	R2060	RK73HB1J103J	MG RESISTOR	10kΩ 1/16W J	1	
	R2061	RK73HB1J432J	MG RESISTOR	4.3kΩ 1/16W J	1	
	R2062	RK73HB1J432J	MG RESISTOR	4.3kΩ 1/16W J	1	
	R2063	RK73HB1J103J	MG RESISTOR	10kΩ 1/16W J	1	
	R2064	RK73HB1J103J	MG RESISTOR	10kΩ 1/16W J	1	
	R2065	RK73HB1J432J	MG RESISTOR	4.3kΩ 1/16W J	1	
	R2066	RK73HB1J432J	MG RESISTOR	4.3kΩ 1/16W J	1	
	R2067	RK73HB1J103J	MG RESISTOR	10kΩ 1/16W J	1	
	R2069	RK73HB1J471J	MG RESISTOR	470Ω 1/16W J	1	
	R2070	RK73HB1J472J	MG RESISTOR	4.7kΩ 1/16W J	1	
	R2071	RK73HB1J472J	MG RESISTOR	4.7kΩ 1/16W J	1	
	R2072	RK73HB1J472J	MG RESISTOR	4.7kΩ 1/16W J	1	
	R2076	RK73EB2E000J	MG RESISTOR	0Ω 1/4W J	1	
	R2079	RK73GB2A000J	MG RESISTOR	0Ω 1/10W J	1	
	R2082	RK73GB2A000J	MG RESISTOR	0Ω 1/10W J	1	
	R2087	RK73GB2A000J	MG RESISTOR	0Ω 1/10W J	1	
	R2088	RK73GB2A000J	MG RESISTOR	0Ω 1/10W J	1	
	R2089	RK73HB1J000J	MG RESISTOR	0Ω 1/16W J	1	
	R2090	RK73HB1J000J	MG RESISTOR	0Ω 1/16W J	1	
	L411	LR73Z0AD4R7M	CHIP INDUCTOR	4.7uH	1	
	L600	LR73Z0AD4R7M	CHIP INDUCTOR	4.7uH	1	
	L601	LK73G0BE4R7K	M.CHIP INDUCTOR		1	
	L602	LK73G0BER47K	M.CHIP INDUCTOR		1	
	L603	NQLM93K-R10X	INDUCTOR	0.1uH K	1	
	L604	LK73G0BE1R0K	M.CHIP INDUCTOR		1	
	L605	LK73G0BER22K	M.CHIP INDUCTOR		1	
	L606	LK73G0BER12K	M.CHIP INDUCTOR		1	
	L607	LK73G0BER15K	M.CHIP INDUCTOR		1	
	L701	LR73Z0AD4R7M	CHIP INDUCTOR	4.7uH	1	
	L702	NQR0713-001X	FERRITE BEADS		1	
	L703	LB73H0AY-004	CHIP FERRITE		1	
	L704	NQR0713-001X	FERRITE BEADS		1	
	L705	NQR0713-001X	FERRITE BEADS		1	
	L706	LB73H0CT-002	CHIP FERRITE		1	
	L707	LB73H0CT-002	CHIP FERRITE		1	
	L811	LB73H0AY-004	CHIP FERRITE		1	
	L821	LB73G0BK-006	CHIP FERRITE		1	
	L822	LB73H0CT-002	CHIP FERRITE		1	
	L824	LB73H0CT-002	CHIP FERRITE		1	
	L825	LB73H0CT-002	CHIP FERRITE		1	
	L826	LB73H0CT-002	CHIP FERRITE		1	
	L827	LB73H0CT-002	CHIP FERRITE		1	
	L828	LB73H0CT-002	CHIP FERRITE		1	
	L829	LB73H0CT-002	CHIP FERRITE		1	
	L830	LB73G0BK-006	CHIP FERRITE		1	
	L831	NQR0713-001X	FERRITE BEADS		1	
	L863	NQLL6EM-100X	INDUCTOR	10uH M	1	
	L864	NQLL65M-4R7X	INDUCTOR	4.7uH M	1	
	L990	QQR1927-001	CHOKE COIL		1	
	L2000	LB73H0CT-002	CHIP FERRITE		1	
	L2001	LB73H0CT-002	CHIP FERRITE		1	
	L2002	NQR0593-001X	FERRITE BEADS		1	
	L2003	NQR0593-001X	FERRITE BEADS		1	
	L2004	NQR0593-001X	FERRITE BEADS		1	
	L2005	LR73Z0AD100M	CHIP INDUCTOR	10uH	1	
	L2008	NQR0713-001X	FERRITE BEADS		1	
	L2009	NQR0713-001X	FERRITE BEADS		1	
	L2010	NQR0713-001X	FERRITE BEADS		1	
	CN220	QGA2001F1-02	W TO B CONNE	W-B (1-2)	1	K1,K0
	CN502	QGF1040C1-26	FFC/FPC CONNE	FFC/FPC (1-26)	1	
	CN702	QGB1004K2-20W	B TO B CONNE	B-B (1-20)	1	
	CN990	QNZ0607-001	CAR CONNECTOR		1	
	E2	QZV0010-001	STYLE PIN		1	K1,K0
△	F1	F53-0513-08	PATTERN FUSE	4A	1	
△	F2	F53-0513-08	PATTERN FUSE	4A	1	
△	F3	FZA10BH-2R5	FUSE (CC)		1	
	J220	E1B-0013-00	3.5D PHONE JACK		1	A1,E1,M1,K2
	J321	QNN0866-001	PIN JACK		1	
	J470	QNZ0907-001	CIR CONNECTOR		1	K1,K0
	J600	QNB0356-001	ANT TERMINAL		1	
	VA600	F0K-0010-00	SURGE ABSORBER		1	
	VA703	F0K-0010-00	SURGE ABSORBER		1	
	VA705	F0K-0010-00	SURGE ABSORBER		1	
	X600	QAX0969-001Z	CRYSTAL		1	
	X701	L7J-0092-00	QUARTZ CRYSTAL		1	
	X702	NAX1256-001X	CRYSTAL		1	
	SWITCH PWB ASSY (XJ6-077x-0x)	<XJ6>				
	IC1	BU97550KV-M	MOS IC		1	

MODEL	MARK	MODEL	MARK	MODEL	MARK	MODEL	MARK
DPX-5000BT	A1	DPX-5000BT	E1	DPX-5000BT	M1	DPX502BT	K1
DPX530BT	K2	DPX592BT	K0				

Safe	Symbol No.	Parts No.	Parts Name	Description	QTY	Local
	IC3	NJM431SF	ANALOG IC		1	
	IC90	SIR8630B6T	IR DETECT UNIT		1	A1,M1,K1,K2,K0
	Q50	LSCR523EBFS8	TRANSISTOR		1	
	Q51	LSCR523EBFS8	TRANSISTOR		1	
	Q52	LSCR523EBFS8	TRANSISTOR		1	
	Q53	LSCR523EBFS8	TRANSISTOR		1	
	Q54	LSCR523EBFS8	TRANSISTOR		1	
	Q55	LSCR523EBFS8	TRANSISTOR		1	
	Q57	LSCR523EBFS8	TRANSISTOR		1	
	Q58	LSCR523EBFS8	TRANSISTOR		1	
	D2	MBRX130	SCHOTTKY DIODE		1	
	D3	MBRX130	SCHOTTKY DIODE		1	
	D12	SML-D12V8WT	LED		1	
	D13	SML-D12V8WT	LED		1	
	D20	SML-D12V8WT	LED		1	
	D21	LRTBGFTG/Z1Z1X	LED		1	
	D22	LRTBGFTG/Z1Z1X	LED		1	
	D23	LRTBGFTG/Z1Z1X	LED		1	
	D24	LRTBGFTG/Z1Z1X	LED		1	
	D31	LRTBGFTG/Z1Z1X	LED		1	
	D32	LRTBGFTG/Z1Z1X	LED		1	
	D48	LRTBGFTG/Z1Z1X	LED		1	
	D49	LRTBGFTG/Z1Z1X	LED		1	
	D80	DZ2J051M	ZENER DIODE		1	
	D81	DZ2J051M	ZENER DIODE		1	
	C1	CK73GXR1C105K	C CAPACITOR	1uF 16V K	1	
	C5	CK73GXR1C105K	C CAPACITOR	1uF 16V K	1	
	C6	CK73EXR1C106K	C CAPACITOR	10uF 16V K	1	
	C60	CK73GBB1H102K	C CAPACITOR	1000pF 50V K	1	
	C61	CK73GBB1H102K	C CAPACITOR	1000pF 50V K	1	
	C80	CC73GCH1H270J	C CAPACITOR	27pF 50V J	1	
	C81	CC73GCH1H270J	C CAPACITOR	27pF 50V J	1	
	C82	CK73EXR1C106K	C CAPACITOR	10uF 16V K	1	
	C83	CK73GBB1H471K	C CAPACITOR	470pF 50V K	1	
	C84	CK73GBB1H472K	C CAPACITOR	470pF 50V K	1	
	C85	CK73GBB1H471K	C CAPACITOR	470pF 50V K	1	
	C86	CK73GBB1H472K	C CAPACITOR	470pF 50V K	1	
	C91	CK73GXR1A105K	C CAPACITOR	1uF 10V K	1	A1,M1,K1,K2,K0
	R1	RK73GH2A103D	MG RESISTOR	10kΩ 1/10W D	1	
	R2	RK73GH2A752D	MG RESISTOR	7.5kΩ 1/10W D	1	
	R3	RK73EB2E471J	MG RESISTOR	470Ω 1/4W J	1	
	R4	RK73GB2A101J	MG RESISTOR	100Ω 1/10W J	1	
	R6	RK73EB2E101J	MG RESISTOR	100Ω 1/4W J	1	
	R7	RK73EB2E000J	MG RESISTOR	0Ω 1/4W J	1	
	R10	RK73FB2B132J	MG RESISTOR	1.3kΩ 1/8W J	1	
	R12	RK73GB2A132J	MG RESISTOR	1.3kΩ 1/10W J	1	
	R13	RK73GB2A132J	MG RESISTOR	1.3kΩ 1/10W J	1	
	R14	RK73GB2A184J	MG RESISTOR	180kΩ 1/10W J	1	
	R18	RK73GB2A101J	MG RESISTOR	100Ω 1/10W J	1	
	R20	RK73FB2B911J	MG RESISTOR	910Ω 1/8W J	1	
	R21	RK73FB2B162J	MG RESISTOR	1.6kΩ 1/8W J	1	
	R22	RK73FB2B241J	MG RESISTOR	240Ω 1/8W J	1	
	R23	RK73FB2B331J	MG RESISTOR	330Ω 1/8W J	1	
	R24	RK73FB2B911J	MG RESISTOR	910Ω 1/8W J	1	
	R25	RK73FB2B162J	MG RESISTOR	1.6kΩ 1/8W J	1	
	R26	RK73FB2B241J	MG RESISTOR	240Ω 1/8W J	1	
	R27	RK73FB2B331J	MG RESISTOR	330Ω 1/8W J	1	
	R36	RK73FB2B911J	MG RESISTOR	910Ω 1/8W J	1	
	R37	RK73FB2B162J	MG RESISTOR	1.6kΩ 1/8W J	1	
	R38	RK73FB2B241J	MG RESISTOR	240Ω 1/8W J	1	
	R39	RK73FB2B331J	MG RESISTOR	330Ω 1/8W J	1	
	R41	RK73FB2B431J	MG RESISTOR	430Ω 1/8W J	1	
	R42	RK73FB2B181J	MG RESISTOR	180Ω 1/8W J	1	
	R43	RK73FB2B301J	MG RESISTOR	300Ω 1/8W J	1	
	R57	RK73GB2A682J	MG RESISTOR	6.8kΩ 1/10W J	1	
	R60	RK73EB2E101J	MG RESISTOR	100Ω 1/4W J	1	
	R61	RK73EB2E101J	MG RESISTOR	100Ω 1/4W J	1	
	R62	RK73EB2E4R7J	MG RESISTOR	4.7Ω 1/4W J	1	
	R80	RK73EB2E221J	MG RESISTOR	220Ω 1/4W J	1	
	R1006	RK73GB2A000J	MG RESISTOR	0Ω 1/10W J	1	A1,M1,K1,K2,K0
	RA1	RK74GB1J101J	NET RESISTOR	100Ω 1/16W J	1	
	RA2	RK74GB1J101J	NET RESISTOR	100Ω 1/16W J	1	
	RA3	RK74GB1J101J	NET RESISTOR	100Ω 1/16W J	1	
	RA50	RK74GB1J682J	NET RESISTOR	6.8kΩ 1/16W J	1	
	RA53	RK74GB1J682J	NET RESISTOR	6.8kΩ 1/16W J	1	
	L2	LR73Z0AD4R7M	CHIP INDUCTOR	4.7uH	1	
	CN1	EB760AW-1020A	B TO B CONNE		1	
	FL80	L7K-0030-00	FILTER		1	
	J60	QNS0320-001	3.5 JACK		1	
	J80	E5J-0069-00	USB TERMINAL		1	
	S1	NSW0246-001X	TACT SWITCH		1	
	S2	NSW0246-001X	TACT SWITCH		1	
	S3	NSW0246-001X	TACT SWITCH		1	
	S4	NSW0246-001X	TACT SWITCH		1	
	S5	NSW0246-001X	TACT SWITCH		1	
	S6	NSW0246-001X	TACT SWITCH		1	
	S7	NSW0246-001X	TACT SWITCH		1	
	S8	NSW0246-001X	TACT SWITCH		1	
	S9	NSW0246-001X	TACT SWITCH		1	
	S10	NSW0246-001X	TACT SWITCH		1	
	S11	NSW0246-001X	TACT SWITCH		1	
	S12	NSW0246-001X	TACT SWITCH		1	

MODEL	MARK	MODEL	MARK	MODEL	MARK	MODEL	MARK
DPX-5000BT	A1	DPX-5000BT	E1	DPX-5000BT	M1	DPX502BT	K1
DPX530BT	K2	DPX592BT	K0				

Safe	Symbol No.	Parts No.	Parts Name	Description	QTY	Local
	S13	NSW0246-001X	TACT SWITCH		1	
	S14	NSW0246-001X	TACT SWITCH		1	
	S15	NSW0246-001X	TACT SWITCH		1	
	S16	NSW0246-001X	TACT SWITCH		1	
	S18	NSW0246-001X	TACT SWITCH		1	
	S20	T9K-0007-00	ROTARY ENCODER		1	
CD MECHA PWB ASSY (XJD-0030-00) <XJD>						
	IC1	MN6627553APA	IC		1	
	IC2	BD8266EFV-M-X	IC		1	
	Q1	2SA2188/E/-X	TRANSISTOR		1	
	C1	CK73HBB1A104K	C CAPACITOR	0.1uF 10V K	1	
	C3	CK73HBB1A104K	C CAPACITOR	0.1uF 10V K	1	
	C4	CK73HBB1A104K	C CAPACITOR	0.1uF 10V K	1	
	C7	CK73GBB1C334K	C CAPACITOR	0.33uF 16V K	1	
	C8	CK73HBB1H102K	C CAPACITOR	1000pF 50V K	1	
	C9	CK73HBB1C823K	C CAPACITOR	0.082uF 16V K	1	
	C10	CK73HBB1H102K	C CAPACITOR	1000pF 50V K	1	
	C11	CK73HBB1A104K	C CAPACITOR	0.1uF 10V K	1	
	C12	CK73HBB1E153K	C CAPACITOR	0.015uF 25V K	1	
	C13	CC73HCH1H681J	C CAPACITOR	680pF 50V J	1	
	C14	CK73HBB1A104K	C CAPACITOR	0.1uF 10V K	1	
	C15	CK73GXR0J475K	C CAPACITOR	4.7uF 6.3V K	1	
	C16	CK730AU0J105K	C CAPACITOR	1uF 6.3V K	1	
	C17	CK73GBB1C334K	C CAPACITOR	0.33uF 16V K	1	
	C18	CK73HBB1H332K	C CAPACITOR	3300pF 50V K	1	
	C19	CK73HBB1E223K	C CAPACITOR	0.022uF 25V K	1	
	C20	NCB20JK-106X	C CAPACITOR	10uF 6.3V K	1	
	C21	CK73GBB1C334K	C CAPACITOR	0.33uF 16V K	1	
	C26	CK73FXR1C106K	C CAPACITOR	10uF 16V K	1	
	C27	CK73HBB1A104K	C CAPACITOR	0.1uF 10V K	1	
	C28	CK73HBB1A104K	C CAPACITOR	0.1uF 10V K	1	
	C50	CK73HBB1H682K	C CAPACITOR	6800pF 50V K	1	
	C51	CK73HBB1H682K	C CAPACITOR	6800pF 50V K	1	
	C52	CK73HBB1H103K	C CAPACITOR	0.01uF 50V K	1	
	C53	CK73HBB1H103K	C CAPACITOR	0.01uF 50V K	1	
	C55	CK73HBB1A104K	C CAPACITOR	0.1uF 10V K	1	
	C60	CC73HCH1H821J	C CAPACITOR	820pF 50V J	1	
	C61	CC73HCH1H821J	C CAPACITOR	820pF 50V J	1	
	C62	CK73GXR0J106M	C CAPACITOR	10uF 6.3V M	1	
	C82	CC73HCH1H471J	C CAPACITOR	470pF 50V J	1	
	C83	CC73HCH1H120J	C CAPACITOR	12pF 50V J	1	
	C84	CC73HCH1H120J	C CAPACITOR	12pF 50V J	1	
	C85	CK73HBB1A104K	C CAPACITOR	0.1uF 10V K	1	
	C244	CK73GBB1C154K	C CAPACITOR	0.15uF 16V K	1	
	R3	RK73HB1J102J	MG RESISTOR	1kΩ 1/16W J	1	
	R4	RK73HB1J105J	MG RESISTOR	1MΩ 1/16W J	1	
	R7	RK73HB1J272J	MG RESISTOR	2.7kΩ 1/16W J	1	
	R8	RK73HB1J821J	MG RESISTOR	820Ω 1/16W J	1	
	R9	RK73HB1J823J	MG RESISTOR	82kΩ 1/16W J	1	
	R10	RK73FB2B4R7J	MG RESISTOR	4.7Ω 1/8W J	1	
	R11	RK73HB1J472J	MG RESISTOR	4.7kΩ 1/16W J	1	
	R12	RK73HB1J225J	MG RESISTOR	2.2MΩ 1/16W J	1	
	R17	RK73HB1J123J	MG RESISTOR	12kΩ 1/16W J	1	
	R18	RK73HB1J822J	MG RESISTOR	8.2kΩ 1/16W J	1	
	R20	RK73HB1J103J	MG RESISTOR	10kΩ 1/16W J	1	
	R21	RK73HB1J822J	MG RESISTOR	8.2kΩ 1/16W J	1	
	R23	RK73HB1J183J	MG RESISTOR	18kΩ 1/16W J	1	
	R24	RK73HB1J272J	MG RESISTOR	2.7kΩ 1/16W J	1	
	R26	RK73HB1J223J	MG RESISTOR	22kΩ 1/16W J	1	
	R28	RK73HB1J114J	MG RESISTOR	110kΩ 1/16W J	1	
	R31	RK73HB1J821J	MG RESISTOR	820Ω 1/16W J	1	
	R32	RK73HB1J821J	MG RESISTOR	820Ω 1/16W J	1	
	R33	RK73HB1J131J	MG RESISTOR	130Ω 1/16W J	1	
	R37	RK73HB1J103J	MG RESISTOR	10kΩ 1/16W J	1	
	R44	RK73HB1J101J	MG RESISTOR	100Ω 1/16W J	1	
	R47	RK73HB1J101J	MG RESISTOR	100Ω 1/16W J	1	
	R305	RK73HB1J101J	MG RESISTOR	100Ω 1/16W J	1	
	RA1	RK74HB1J562J	NET RESISTOR	5.6kΩ 1/16W J	1	
	RA2	RK74HB1J101J	NET RESISTOR	100Ω 1/16W J	1	
	L1	LB73G0BF-002	CHIP FERRITE		1	
	L2	LB73H0AY-004	CHIP FERRITE		1	
	L3	LB73H0AY-004	CHIP FERRITE		1	
	CN1	QGF1044F2-26X	FFC/FPC CONNE	FFC/FPC (1-26)	1	
	CN2	QGF0522F6-15W	FFC/FPC CONNE	FFC/FPC (1-15)	1	
	S1	NSW0291-001X	DETECT SWITCH		1	
	S2	NSW0291-001X	DETECT SWITCH		1	
	S3	NSW0313-001X	DETECT SWITCH		1	
	X1	NAX1158-001X	CRYSTAL		1	