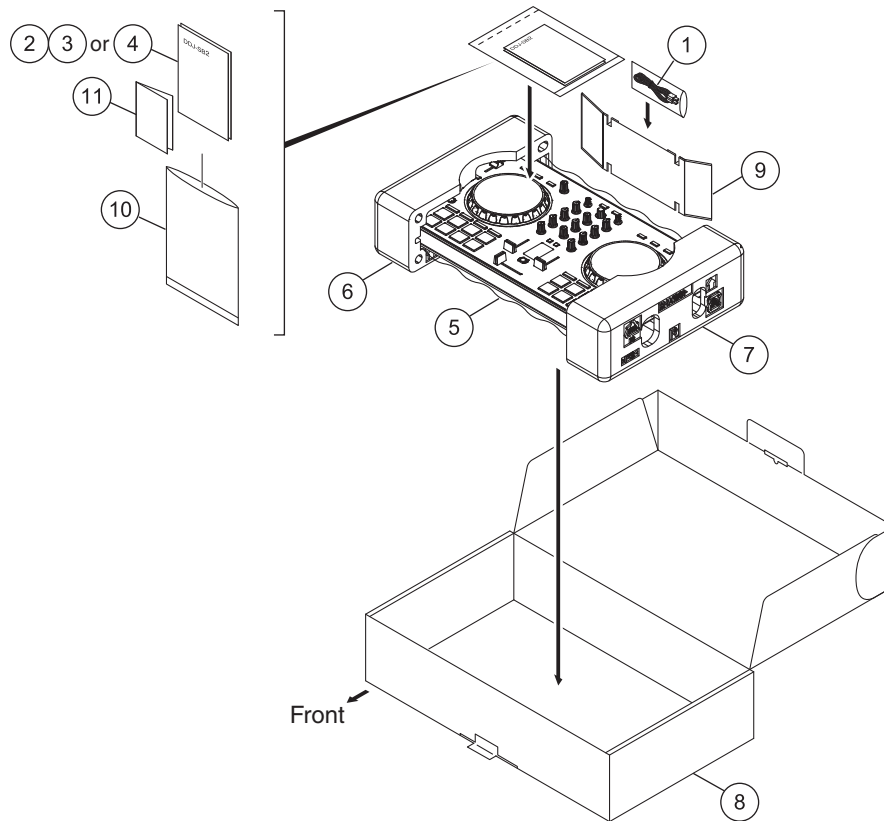


# 9. EXPLODED VIEWS AND PARTS LIST

- NOTES:**
- Parts marked by “NSP” are generally unavailable because they are not in our Master Spare Parts List.
  - The  $\triangle$  mark found on some component parts indicates the importance of the safety factor of the part. Therefore, when replacing, be sure to use parts of identical designation.
  - Screws adjacent to  $\nabla$  mark on product are used for disassembly.
  - For the applying amount of lubricants or glue, follow the instructions in this manual. (In the case of no amount instructions, apply as you think it appropriate.)

## 9.1 PACKING SECTION



### (1) PACKING SECTION PARTS LIST

Mark No.	Description	Part No.	Mark No.	Description	Part No.
1	USB Cable	DDE1128	4	Operating Instructions (Quick Start Guide)	See Contrast table (2)
2	Operating Instructions (Quick Start Guide)	See Contrast table (2)	5	Packing Sheet	AHG7053
3	Operating Instructions (Quick Start Guide)	See Contrast table (2)	6	Pad	DHA1927
			7	Pad	DHA1928
			8	Packing Case	See Contrast table (2)
			9	Partition/ACC	DHC1085
			NSP 10	Polyethylene Bag	AHG7117
			NSP 11	Warranty	See Contrast table (2)

### (2) CONTRAST TABLE

DDJ-SB2/SXJ and XJCN are constructed the same except for the following:

Mark	No.	Symbol and Description	DDJ-SB2/SXJ	DDJ-SB2/XJCN
	2	Operating Instructions (Quick Start Guide)(En, Fr, De, It, Nl)	DRH1317	Not used
	3	Operating Instructions (Quick Start Guide)(Es, Pt, Ru, Ja)	DRH1318	Not used
	4	Operating Instructions (Quick Start Guide)(Zhc)	Not used	DRH1319
	8	Packing Case	DHG3423	DHG3424
NSP	11	Warranty	ARY7158	Not used

# 9.2 EXTERIOR SECTION

1

2

3

4

A

B

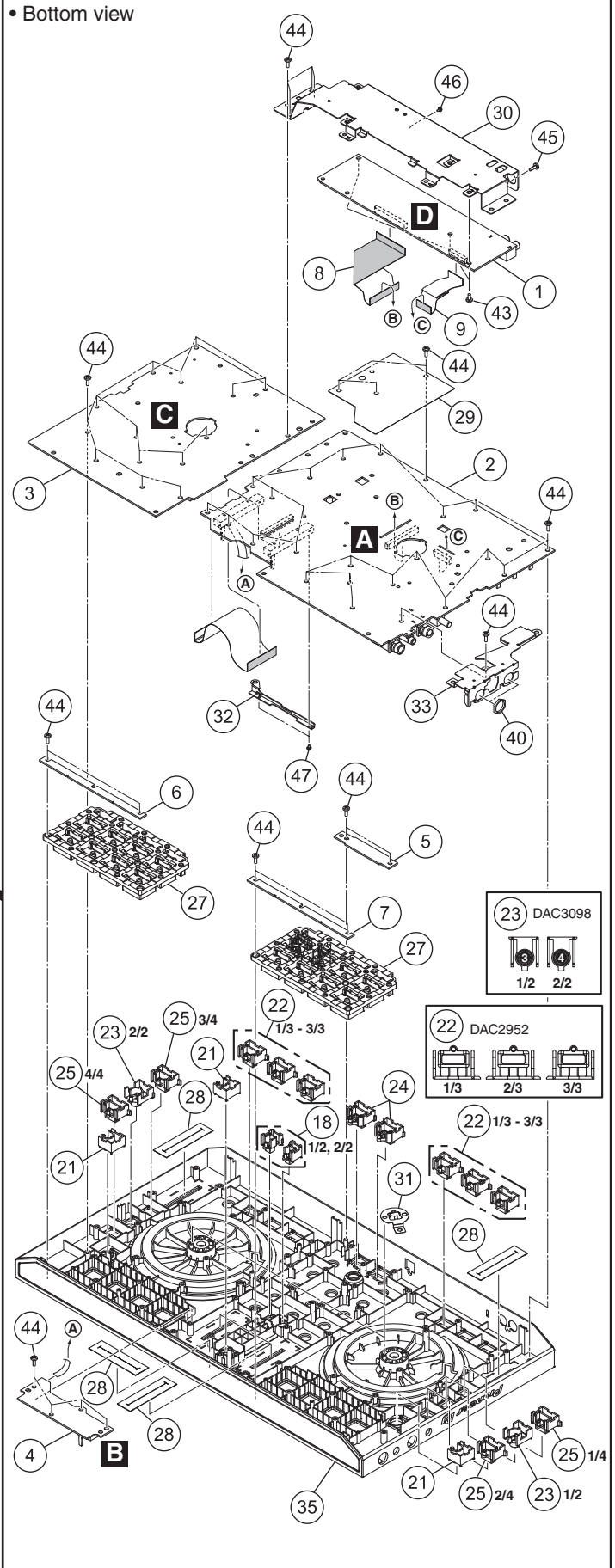
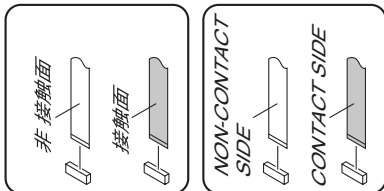
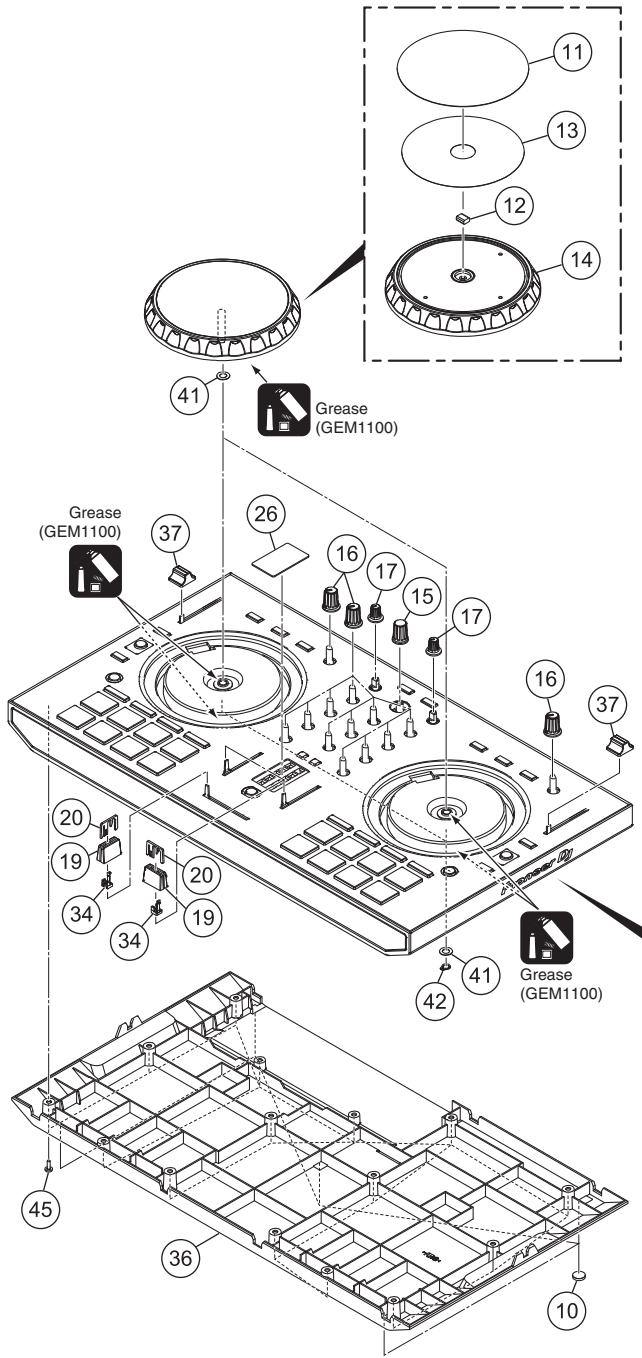
C

D

E

F

• Bottom view



1

2

3

4

## EXTERIOR SECTION PARTS LIST

<u>Mark No.</u>	<u>Description</u>	<u>Part No.</u>	
1	IFPW Assy	DWX3569	
2	PNL1 Assy	DWX3740	A
3	PNL2 Assy	DWX3741	
4	CRFD Assy	DWX3742	
5	HOLD1 Assy	DWX3743	
6	HOLD2-1 Assy	DWX3787	
7	HOLD2-2 Assy	DWX3788	
8	FFC	ADD7796	
9	FFC/19P	DDD1671	
10	Rubber Foot	VEB1349	
11	Plate	DAH3038	B
12	Gasket/JOG	DEC3539	
13	DS Tape/JOG	DEH1042	
14	Jog Dial	DNK6346	
15	Dial Knob S (B)	DAA1273	
16	Knob/PLS	DAA1324	
17	Knob	DAA1351	
18	Button S (Opal)	DAC2662	
19	Slider Knob 1	DAC2684	
20	Slider Knob 2	DAC2685	C
21	Button/MIX	DAC2951	
22	Button/OPL	DAC2952	
23	Button	DAC3098	
24	Button	DAC3151	
25	Button	DAC3152	
26	Plate	DAH3036	
27	Button	DEB2016	
28	Fader Packing	DEC3355	
29	Sheet/PNL	DEC3543	D
30	Stay	DNH3240	
31	Plate/CND	DNH3137	
32	Plate/CHF	DNH3146	
33	Stay	DNH3218	
34	Stopper/SLD	DNK6009	
35	Control Panel	DNK6454	
36	Chassis	DNK6471	
37	Knob	DNK6530	
38	•••••		E
39	•••••		
40	Nut (M12)	NKX2FNI	
41	Washer	WA62D095D050	
42	Washer	YC60FAC	
43	Screw	BBZ30P060FTC	
44	Screw	BPZ30P080FNI	
45	Screw	BPZ30P100FTB	
46	Screw (M3*5)	DBA1340	F
47	Screw	PMH20P040FTC	

# 12. PCB PARTS LIST

NOTES: ● Parts marked by "NSP" are generally unavailable because they are not in our Master Spare Parts List.

● The  $\Delta$  mark found on some component parts indicates the importance of the safety factor of the part. Therefore, when replacing, be sure to use parts of identical designation.

● When ordering resistors, first convert resistance values into code form as shown in the following examples.

Ex.1 When there are 2 effective digits (any digit apart from 0), such as 560 ohm and 47 k ohm (tolerance is shown by J = 5%, and K = 10%).

560  $\Omega$   $\rightarrow$  56  $\times 10^1$   $\rightarrow$  561 ..... RD1/APU  $\begin{matrix} 5 & 6 & 7 \\ \hline & & J \end{matrix}$

47 k $\Omega$   $\rightarrow$  47  $\times 10^3$   $\rightarrow$  473 ..... RD1/APU  $\begin{matrix} 4 & 7 & 3 \\ \hline & & J \end{matrix}$

0.5  $\Omega$   $\rightarrow$  R50 ..... RN2H  $\begin{matrix} R & 5 & 0 \\ \hline & & K \end{matrix}$

1  $\Omega$   $\rightarrow$  1R0 ..... RSIP  $\begin{matrix} 1 & R & 0 \\ \hline & & K \end{matrix}$

Ex.2 When there are 3 effective digits (such as in high precision metal film resistors).

5.62 k $\Omega$   $\rightarrow$  562  $\times 10^1$   $\rightarrow$  5621 ..... RN1/4PC  $\begin{matrix} 5 & 6 & 2 & 1 \\ \hline & & & F \end{matrix}$

Mark No.	Description	Part No.	Mark No.	Description	Part No.
<b>LIST OF ASSEMBLIES</b>					
NSP	1..PNL1 ASSY	DWM2593	NSP	1..PNL2 ASSY	DWM2579
	2..PNL1 ASSY	DWX3740		2..PNL2 ASSY	DWX3741
	2..HOLD2-1 ASSY	DWX3787		2..CRFD ASSY	DWX3742
				2..HOLD1 ASSY	DWX3743
				2..HOLD2-2 ASSY	DWX3788
				1..IFPW ASSY	DWX3569

DDJ-SB/SXJ5, DDJ-SB2/SXJ and DDJ-SB2/XJCN are constructed the same except for the following:

Mark	Symbol and Description	DDJ-SB/SXJ5	DDJ-SB2/SXJ	DDJ-SB2/XJCN	Remarks
	1..PNL1 ASSY	DWX3570	Not used	Not used	
NSP	1..PNL1 ASSY	Not used	DWM2593	DWM2593	
	2..PNL1 ASSY	Not used	DWX3740	DWX3740	
	2..HOLD2-1 ASSY	Not used	DWX3787	DWX3787	
NSP	1..PNL2 ASSY	DWM2526	DWM2579	DWM2579	
	2..PNL2 ASSY	DWX3571	DWX3741	DWX3741	
	2..CRFD ASSY	DWX3573	DWX3742	DWX3742	
	2..HOLD ASSY	DWX3575	Not used	Not used	
	2..HOLD1 ASSY	Not used	DWX3743	DWX3743	
	2..HOLD2-2 ASSY	Not used	DWX3788	DWX3788	

Mark No.	Description	Part No.	Mark No.	Description	Part No.
<b>A F PNL1 ASSY</b>					
<b>SEMICONDUCTORS</b>					
IC	1001	S-80927CNMC-G8X	D	1226-1229,1251,1253	DA2J101
IC	1002	DYW1893	D	1281,1282,1289,1290	DA2J101
IC	1501	PE0005A8	D	1281,1282,1289,1290	1SS355VM
IC	1701,1702	NJM4580MD	D	1293,1295,1346,1347	DA2J101
Q	1202,1203,1205-1207	LTC124EUB	D	1293,1295,1346,1347	1SS355VM
Q	1202,1203,1205-1207	RT1N241M	D	1401,1405,1409,1413	SLI-343U8R(HJK)
Q	1401,1403,1405,1407	LTC124EUB	D	1402,1404,1406,1408	LTL17KRH5D
Q	1401,1403,1405,1407	RT1N241M	D	1403,1407,1433,1435	LTL17KGH5D
Q	1402,1404,1406,1408	2SB1689	D	1410,1412,1414,1416	LTL17KRH5D
Q	1409-1411,1413,1414	2SC4154-11(EF)	D	1411,1415,1419,1423	SLI-343YYW(TUV)
Q	1409-1411,1413,1414	LSCR523UB	D	1417,1421,1425,1428	SLI-343U8R(HJK)
Q	1412	2SD1781K(QR)	D	1418,1420,1422,1426	LTL17KRH5D
Q	1417,1418	LSAR523UB	D	1424,1427,1430,1431	SLI-343YYW(TUV)
Q	1417,1418	ISA1602AM1(EF)	D	1429,1432,1434,1438	LTL17KRH5D
Q	1421,1422	LSCR523UB	D	1436,1440,1444	SLI-343YYW(TUV)
Q	1421,1422,1551,1552	2SC4154-11(EF)	D	1437	SLR343BD2T(NP)
Q	1601,1602	INC2002AC1	D	1439,1441-1443,1445	LTL17KGH5D
D	1201,1202,1208-1210	DA2J101	D	1446	LTL17KGH5D
D	1201,1202,1208-1210	1SS355VM	D	1502	RB501VM-40
D	1226-1229,1251,1253	1SS355VM	<b>MISCELLANEOUS</b>		
			L	1001-1003,1201-1208 INDUCTOR	CTF1629

Mark	No.	Description	Part No.
------	-----	-------------	----------

Mark	No.	Description	Part No.
------	-----	-------------	----------

A

L	1004	RAD SPL INDUCTOR	DTH1212
L	1501,1502,1505	INDUCTOR	CTF1379
L	1702-1705	INDUCTOR	CTF1629
JA	1601,1701	6.5 DIA JACK	DKN1653

C	1223,1232,1240,1609		CKSRBY103K50
C	1502		CCSRCH221J50
C	1503,1551,1701,1714		CKSRBY104K16
C	1603,1604		CEAT221M10
C	1605-1608		CKSRBY473K50

JA	1602	STEREO MINI JACK	XKN3017
KN	1201,1501	EARTH TERMINAL	AKF7002
S	1201,1202,1209-1212	TACT SWITCH	DSG1089-
S	1232	ENCODER	DSX1082
S	1243,1244,1246,1256	TACT SWITCH	DSG1089

C	1702		CCSRCH102J50
C	1704		CCSRCH561J50
C	1705		CCSRCH332J50
C	1706		ACG1147
C	1707,1722		CCSRCH331J50

B

S	1251,1258-1261	TACT SWITCH	DSG1079
S	1252,1253,1265-1268	TACT SWITCH	DSG1117
S	1257	TACT SWITCH	DSG1089
S	1271,1272	TACT SWITCH	DSG1117
X	1001	CERAMIC RESONATOR (4 MHz)	DSS1131

C	1709,1710		CKSRBY474K16
C	1711,1713,1720,1721		DCH1263
C	1715,1725,1726		CKSRBY104K16
C	1728		DCH1263

CN	1002,1003	39P CONNECTOR	VKN2097
CN	1601	19P CONNECTOR	VKN1250
	1001	SHIELD CASE	DNH3219
JH	1002	4P CABLE HOLDER	51048-0400
JP	1001	JUMPER WIRE	D20PDY0405E

**B F CRFD ASSY**  
**MISCELLANEOUS**

CN	2601	4PJUMPER CONNECTOR	52151-0410
VA	2601-2603	VARISTORS	EZJZ1V270RM

**RESISTORS**

VR	2601	VARIABLE RESISTOR	DCV1023
		Other Resistors	RS1/10SR###J

**CAPACITORS**

C	2601		CKSRBY104K16
---	------	--	--------------

C

**RESISTORS**

VR	1201,1202	POTENTIOMETER	DCS1097
VR	1203,1211,1213	POTENTIOMETER	DCS1096
VR	1204	SLIDE VR	DCV1034
VR	1205,1206	VARIABLE RESISTOR	DCV1024
VR	1207,1216	ROTARY VR	DCS1117

**C F PNL2 ASSY**  
**SEMICONDUCTORS**

IC	2201		PE0005A8
Q	2001-2004,2050,2052		RT1N241M
Q	2001-2004,2050,2052		LTC124EUB
Q	2007,2008		ISA1602AM1
Q	2007,2008		LSAR523UB

VR	1208-1210,1212	POTENTIOMETER	DCS1097
VR	1214,1215,1217	POTENTIOMETER	DCS1097
VR	1701	POTENTIOMETER	DCS1111
R	1069,1514,1614,1615		RS1/4SAOR0J
R	1202,1208		RS1/10SR2201D

D

R	1501,1502		DCN1187
R	1503		RS1/10SR2202D
R	1618		RS1/4SAOR0J
R	1701		RS1/10SR1501D
R	1702		RS1/10SR3901D

Q	2051,2053,2055,2057		2SB1689
Q	2054,2056		LTC124EUB
Q	2054,2056		RT1N241M
Q	2058-2060,2062		LSCR523UB
Q	2058-2060,2062,2251		2SC4154-11

R	1703,1704		RS1/10SR3301D
R	1705		RS1/10SR1801D
R	1706		RS1/10SR9101D
R	1708		RS1/10SR2700D
R	1709,1745		RS1/10SR1002D

Q	2061		2SD1781K
Q	2252		2SC4154-11
D	2001,2004-2009		1SS355VM
D	2001,2004-2009		DA2J101
D	2002,2058,2062,2065		SLI-343YYW

E

R	1710		RS1/10SR6801D
R	1744		RS1/10SR2701D
		Other Resistors	RS1/10SR###J

D	2003		SLR343BD2T
D	2011-2014,2016,2017		DA2J101
D	2011-2014,2016,2017		1SS355VM
D	2050,2053,2056,2059		SLI-343U8R
D	2051,2054,2057,2060		LTL17KRH5D

**CAPACITORS**

C	1001,1005-1007,1213		CKSRBY104K16
C	1002		CKSRBY222K50
C	1003,1004		CCSRCH150J50
C	1008,1022,1023,1504		DCH1201
C	1009-1021,1024-1029		CKSRBY103K50

D	2052,2055,2079,2080		LTL17KGH5D
D	2061,2064,2067-2069		LTL17KRH5D
D	2063,2066,2071,2074		SLI-343U8R
D	2070,2073,2078		SLI-343YYW
D	2072,2075-2077		LTL17KRH5D

C	1033,1035-1037		CKSRBY103K50
C	1038,1601,1602		CEJQ101M16
C	1039-1042		CCSRCH101J50
C	1044-1056,1205,1215		CKSRBY103K50
C	1207-1210		CKSRBY105K10

**MISCELLANEOUS**

L	2001-2004	INDUCTOR	CTF1629
L	2201,2202,2205	INDUCTOR	CTF1379
KN	2201	EARTH TERMINAL	AKF7002

F

<b>Mark</b>	<b>No. Description</b>	<b>Part No.</b>
S	2001-2004,2008,2011 TACT SWITCH	DSG1089
S	2005,2009,2014 TACT SWITCH	DSG1079
S	2012,2017-2023 TACT SWITCH	DSG1117
S	2013,2016 TACT SWITCH	DSG1089
CN	2201 39P CONNECTOR	VKN2097
PC	2251,2252 PHOTO INTERRUPTER	RPI-579N1
VA	2001,2002,2150 VARISTORS	EZJZ1V270RM
VA	2153-2156 VARISTORS	EZJZ1V270RM
VA	2203,2204 SMD VARISTOR	EZJZ1V80010

### **RESISTORS**

VR	2150 POTENTIOMETER	DCS1096
VR	2151 SLIDE VR	DCV1034
R	2058,2059	RS1/10SR2201D
R	2153	RS1/4SA0R0J
R	2203,2204	DCN1187
R	2205	RS1/10SR2202D
	Other Resistors	RS1/10SR###J

### **CAPACITORS**

C	2001,2002,2152,2153	CKSRYB105K10
C	2151	CKSRYB103K50
C	2155,2204,2252,2601	CKSRYB104K16
C	2201	CEJQ101M16
C	2203	CCSRCH221J50
C	2205	DCH1201

### **HOLD1 ASSY**

There is no service parts.

### **HOLD2-1 ASSY**

There is no service parts.

### **HOLD2-2 ASSY**

There is no service parts.

### **IFPW ASSY**

The supply parts are, refer to Service Manual for DDJ-SB.