



**(1) PACKING SECTION PARTS LIST**

<u>Mark No.</u>	<u>Description</u>	<u>Part No.</u>	<u>Mark No.</u>	<u>Description</u>	<u>Part No.</u>
1	Attachment Assy	See Contrast table (2)	21	Cord	See Contrast table (2)
2	Polyethylene Bag	CEG1160	22	Microphone Assy	See Contrast table (2)
3	Screw	TRZ50P080FTC	23	Panel	See Contrast table (2)
4	Screw	See Contrast table (2)	24-1	Quick Start Guide	See Contrast table (2)
*	5 Lock Tie	CNW2429	24-2	Quick Start Guide	See Contrast table (2)
6	Cord Assy	See Contrast table (2)	24-3	Quick Start Guide	See Contrast table (2)
7	USB Extended Cable	See Contrast table (2)	24-4	Owner's Manual	See Contrast table (2)
8	Microphone Assy	CPM1083	24-5	Owner's Manual	See Contrast table (2)
9	Holder	CZN7192	24-6	Installation Manual	See Contrast table (2)
10	Cushion	CZN7193	*	24-7 Registration Card	See Contrast table (2)
11	Cable Assy	See Contrast table (2)	*	24-8 Warranty Card	See Contrast table (2)
12	GPS Antenna Assy	CXE3204	*	24-9 Tag	See Contrast table (2)
13	Sheet	CZN8510	*	24-10 Caution Card	See Contrast table (2)
14	Card Remote Control Unit	See Contrast table (2)	*	24-11 Service Network	See Contrast table (2)
15	IM CD-ROM	See Contrast table (2)	24-12	Quick Start Guide	See Contrast table (2)
16	Cover	See Contrast table (2)	24-13	Important Information for the User	See Contrast table (2)
17	Protector	See Contrast table (2)	25	Protector(L)	See Contrast table (2)
18	Unit Box	See Contrast table (2)	26	Protector(R)	See Contrast table (2)
19	Contain Box	See Contrast table (2)	27	Rod Antenna	See Contrast table (2)
20	Handle	See Contrast table (2)			

**(2) CONTRAST TABLE**

AVIC-8100NEX/XNUC, AVIC-7100NEX/XNUC, AVIC-F77DAB/XNEU5, AVIC-F70DAB/XNEU5, AVIC-F70DAB/XNAU, AVIC-F70BT/XNID and AVIC-F70TV/XFBR are constructed the same except for the following:

<b>Mark</b>	<b>No.</b>	<b>Description</b>	<b>AVIC-8100 NEX/XNUC</b>	<b>AVIC-7100 NEX/XNUC</b>	<b>AVIC-F77 DAB/XNEU5</b>	<b>AVIC-F70 DAB/XNEU5</b>
	1	Attachment Assy	*CED6844	*CED6844	*CED6845	CEV1603
	4	Screw	CRZ50P090FTC	CRZ50P090FTC	CRZ50P090FTC	CRZ50P090FTC
	6	Cord Assy	CDP1666	CDP1666	CDP1545	CDP1545
	7	USB Extended Cable	CDP1587 (x1)	CDP1587 (x1)	CDP1587 (x2)	CDP1587 (x2)
	11	Cable Assy	CDP1707	CDP1707	Not used	Not used
	14	Card Remote Control Unit	CXE5117	Not used	Not used	Not used
	15	IM CD-ROM	CPJ1492	CPJ1492	CPJ1503	CPJ1503
	16	Cover	CEG1359	CEG1359	CEG1356	CEG1356
	17	Protector	CHP4863	CHP4863	CHP4864	CHP4864
	18	Unit Box	CHG8931	CHG8928	CHG8933	CHG8930
	19	Contain Box	CHL8931	CHL8928	CHL8933	CHL8930
	20	Handle	Not used	Not used	CND6289	CND6289
	21	Cord	Not used	Not used	CDP1669	CDP1669
	22	Microphone Assy	Not used	Not used	Not used	Not used
	23	Panel	Not used	Not used	Not used	Not used
	24-1	Quick Start Guide	CRB4526	CRB4526	CRD4853	CRD4853
	24-2	Quick Start Guide	Not used	Not used	CRD4854	CRD4854
	24-3	Quick Start Guide	Not used	Not used	CRD4862	CRD4862
	24-4	Owner's Manual	CRD4851	CRD4851	CRD4855	CRD4855
	24-5	Owner's Manual	Not used	Not used	Not used	Not used
	24-6	Installation Manual	CRD4852	CRD4852	CRD4856	CRD4856
*	24-7	Registration Card	CRY1271	CRY1271	Not used	Not used
*	24-8	Warranty Card	QRY3001	QRY3001	CRY1376	CRY1376
*	24-9	Tag	Not used	Not used	CRW1881	CRW1881
*	24-10	Caution Card	Not used	Not used	CRP1481	CRP1481
*	24-11	Service Network	Not used	Not used	Not used	Not used
	24-12	Quick Start Guide	Not used	Not used	Not used	Not used
	24-13	Important Information for the User	Not used	Not used	Not used	Not used
	25	Protector(L)	Not used	Not used	Not used	Not used
	26	Protector(R)	Not used	Not used	Not used	Not used
	27	Rod Antenna	Not used	Not used	Not used	Not used

Mark	No.	Description	AVIC-F70 DAB/XNAU	AVIC-F70 BT/XNID	AVIC-F70 TV/XFBR	
A	1	Attachment Assy	*CED6844	*CEC7757	*CEC7757	
	4	Screw	CRZ50P090FTC	Not used	Not used	
	6	Cord Assy	CDP1545	CDP1666	CDP1545	
	7	USB Extended Cable	CDP1587 (x1)	CDP1587 (x1)	CDP1587 (x1)	
	11	Cable Assy	CDP1707	Not used	Not used	
	14	Card Remote Control Unit	CXE5117	CXE5117	CXE5117	
	15	IM CD-ROM	CPJ1503	Not used	CPJ1493	
	16	Cover	CEG1356	CEG1356	CEG1356	
	17	Protector	CHP4863	CHP4863	Not used	
	18	Unit Box	CHG8932	CHG8929	CHG8941	
	B	19	Contain Box	CHL8932	CHL8929	CHL8941
		20	Handle	Not used	Not used	Not used
		21	Cord	CDP1669	Not used	Not used
		22	Microphone Assy	Not used	CPM1086	Not used
		23	Panel	Not used	CNS9475	CNS9475
		24-1	Quick Start Guide	CRB4534	CRB4537	Not used
		24-2	Quick Start Guide	Not used	Not used	Not used
		24-3	Quick Start Guide	Not used	Not used	Not used
24-4		Owner's Manual	CRB4535	CRB4523	Not used	
24-5		Owner's Manual	Not used	CRB4538	Not used	
C	24-6	Installation Manual	CRB4536	CRB4539	CRB4585	
	* 24-7	Registration Card	Not used	Not used	Not used	
	* 24-8	Warranty Card	Not used	CRY1304	Not used	
	* 24-9	Tag	Not used	Not used	Not used	
	* 24-10	Caution Card	CRP1481	Not used	Not used	
	* 24-11	Service Network	Not used	CRY1305	CRY1227	
	24-12	Quick Start Guide	Not used	Not used	CRB4547	
	24-13	Important Information for the User	Not used	Not used	CRB4549	
	25	Protector(L)	Not used	Not used	CHP4275	
	26	Protector(R)	Not used	Not used	CHP4276	
	27	Rod Antenna	Not used	Not used	CXE7989	

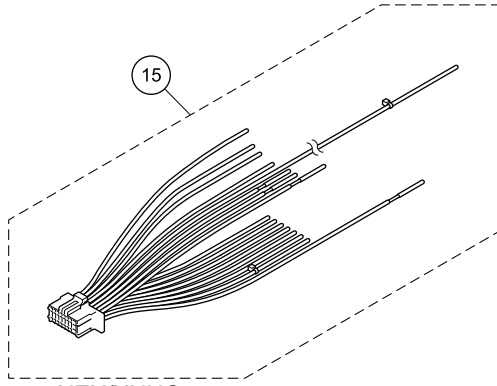
D

E

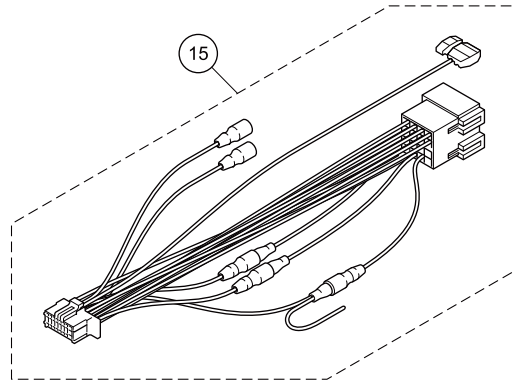
F

## 9.2 EXTERIOR (1)

A

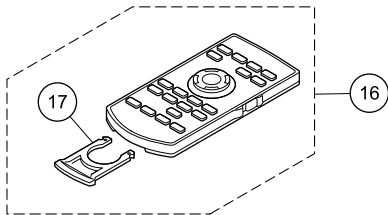


8100NEX/XNUC  
7100NEX/XNUC  
F70BT/XNID



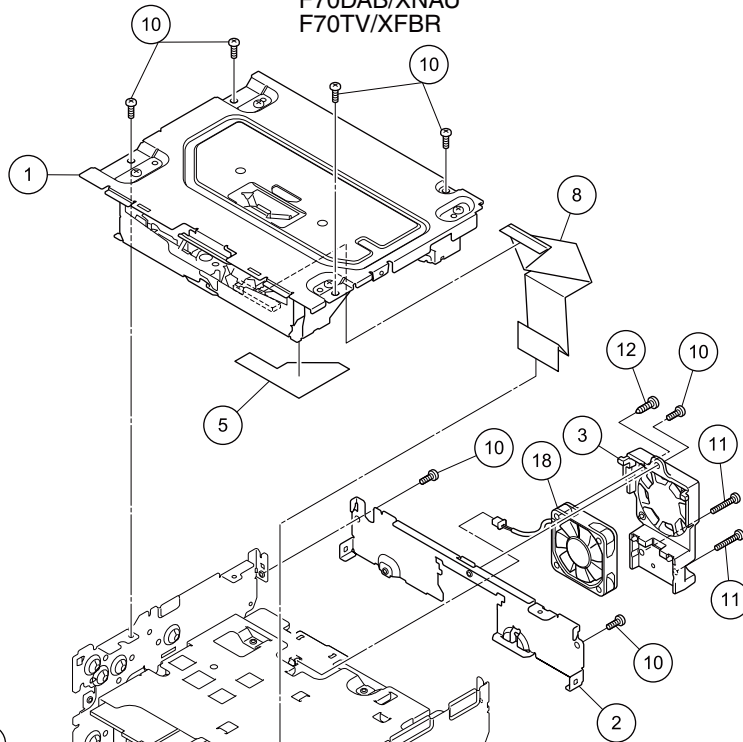
F77DAB/XNEU5  
F70DAB/XNEU5  
F70DAB/XNAU  
F70TV/XFBR

B



8100NEX/XNUC  
F70DAB/XNAU  
F70BT/XNID  
F70TV/XFBR

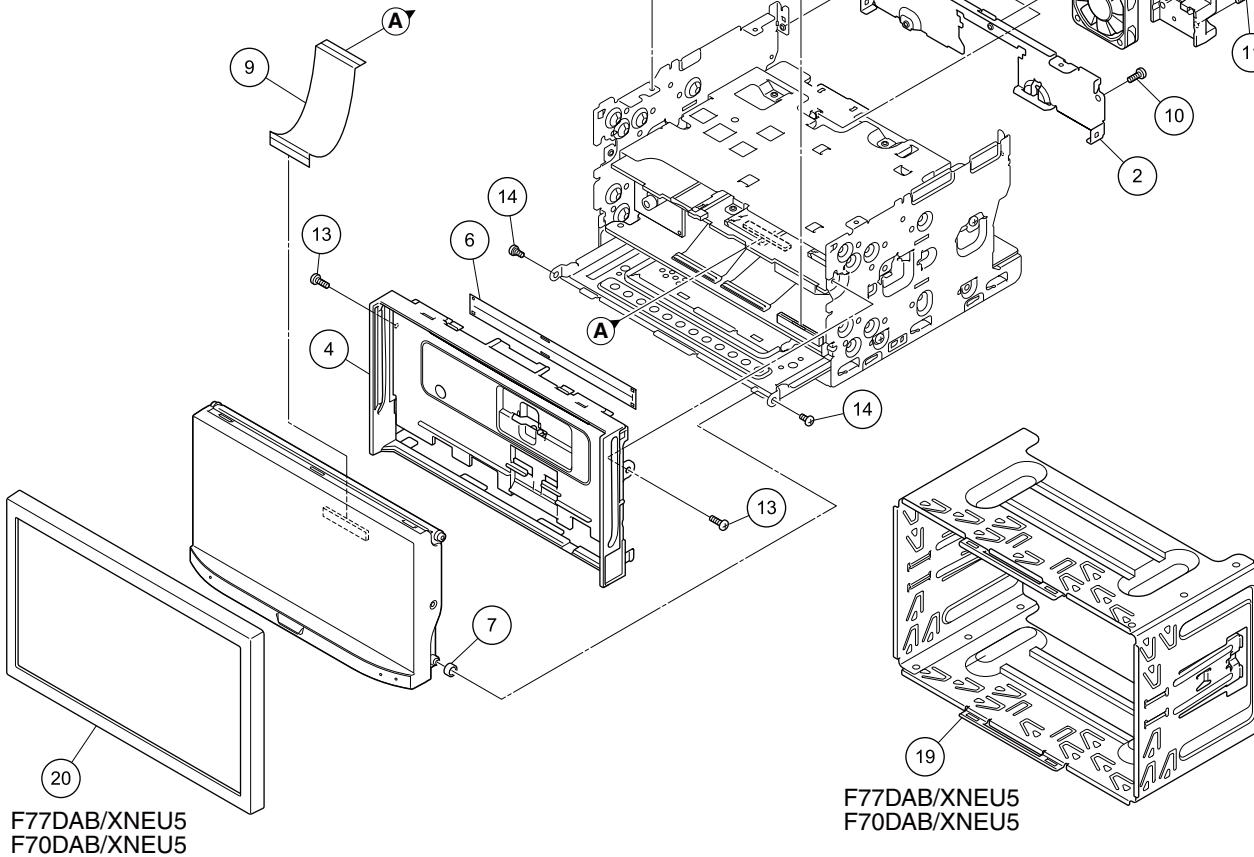
C



D

E

F



F77DAB/XNEU5  
F70DAB/XNEU5

F77DAB/XNEU5  
F70DAB/XNEU5

**(1) EXTERIOR (1) SECTION PARTS LIST**

<b>Mark No.</b>	<b>Description</b>	<b>Part No.</b>	<b>Mark No.</b>	<b>Description</b>	<b>Part No.</b>
1	DVD Mechanism Module (LS2.5)	CXK8102	11	Screw	BSZ26P120FTC
2	Holder	CND6989	12	Screw	BPZ30P080FTC
3	Heat Sink	CNR2165	13	Screw	ISS26P055FTC
4	Panel	See Contrast table (2)	14	Screw	CBA1735
5	Insulator	CNN4613	15	Cord Assy	See Contrast table (2)
6	Cover	CNN4866	16	Card Remote Control Unit	See Contrast table (2)
7	Collar	CNW2038	17	Battery Cover	See Contrast table (2)
8	FFC	CDD1033	18	Fan Motor	See Contrast table (2)
9	FFC	CDD1039	19	Holder	See Contrast table (2)
10	Screw	BSZ26P060FTC	20	Panel	See Contrast table (2)

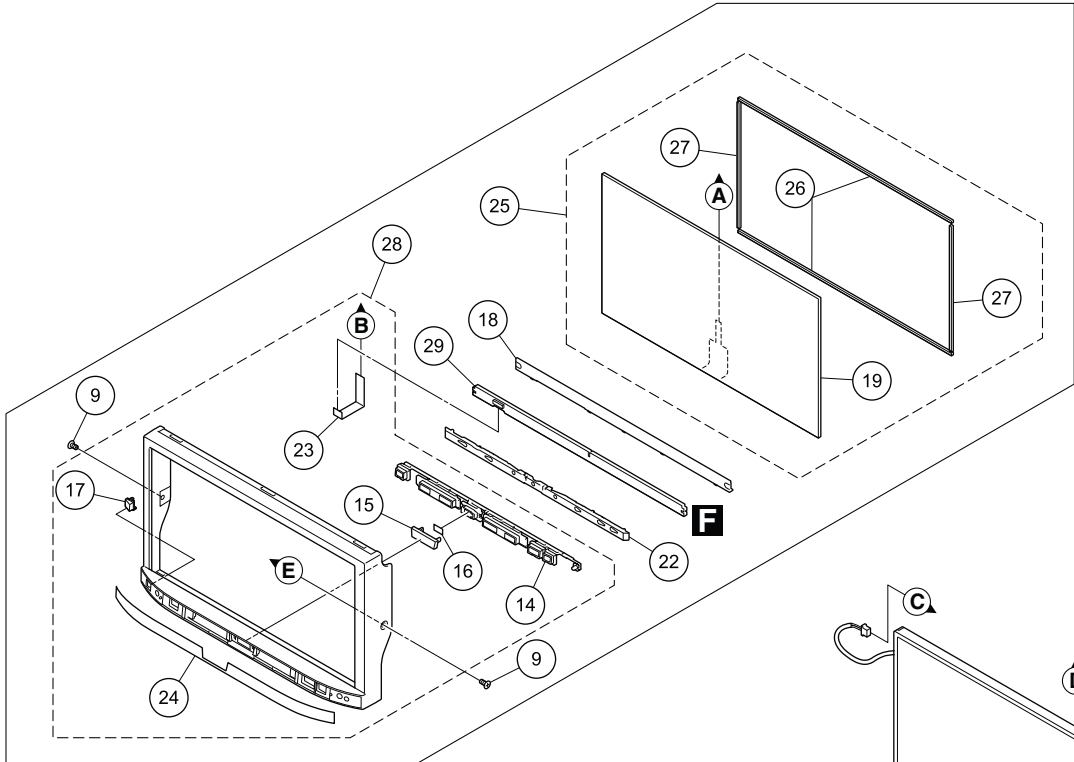
**(2) CONTRAST TABLE**

AVIC-8100NEX/XNUC, AVIC-7100NEX/XNUC, AVIC-F77DAB/XNEU5, AVIC-F70DAB/XNEU5, AVIC-F70DAB/XNAU, AVIC-F70BT/XNID and AVIC-F70TV/XFBR are constructed the same except for the following:

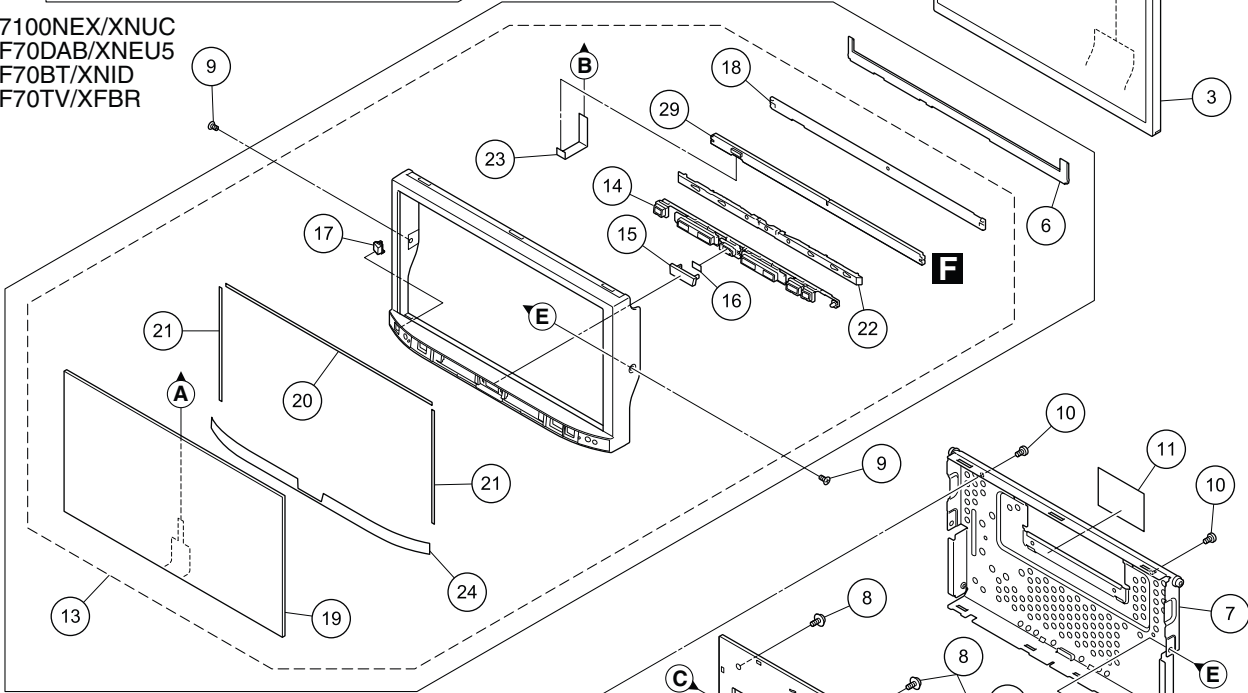
<b>Mark</b>	<b>No.</b>	<b>Description</b>	<b>AVIC-8100 NEX/XNUC</b>	<b>AVIC-7100 NEX/XNUC</b>	<b>AVIC-F77 DAB/XNEU5</b>	<b>AVIC-F70 DAB/XNEU5</b>
	4	Panel	CNU3147	CNU3147	CNU3221	CNU3236
	15	Cord Assy	CDP1666	CDP1666	CDP1545	CDP1545
	16	Card Remote Control Unit	CXE5117	Not used	Not used	Not used
	17	Battery Cover	CNU1624	Not used	Not used	Not used
	18	Fan Motor	CXM1446	CXM1446	CXM1449	CXM1449
	19	Holder	Not used	Not used	CND7102	CND7102
	20	Panel	Not used	Not used	CNU2645	CNU2645

<b>Mark</b>	<b>No.</b>	<b>Description</b>	<b>AVIC-F70 DAB/XNAU</b>	<b>AVIC-F70 BT/XNID</b>	<b>AVIC-F70 TV/XFBR</b>
	4	Panel	CNU3221	CNU3222	CNU3222
	15	Cord Assy	CDP1545	CDP1666	CDP1545
	16	Card Remote Control Unit	CXE5117	CXE5117	CXE5117
	17	Battery Cover	CNU1624	CNU1624	CNU1624
	18	Fan Motor	CXM1446	CXM1446	CXM1446
	19	Holder	Not used	Not used	Not used
	20	Panel	Not used	Not used	Not used

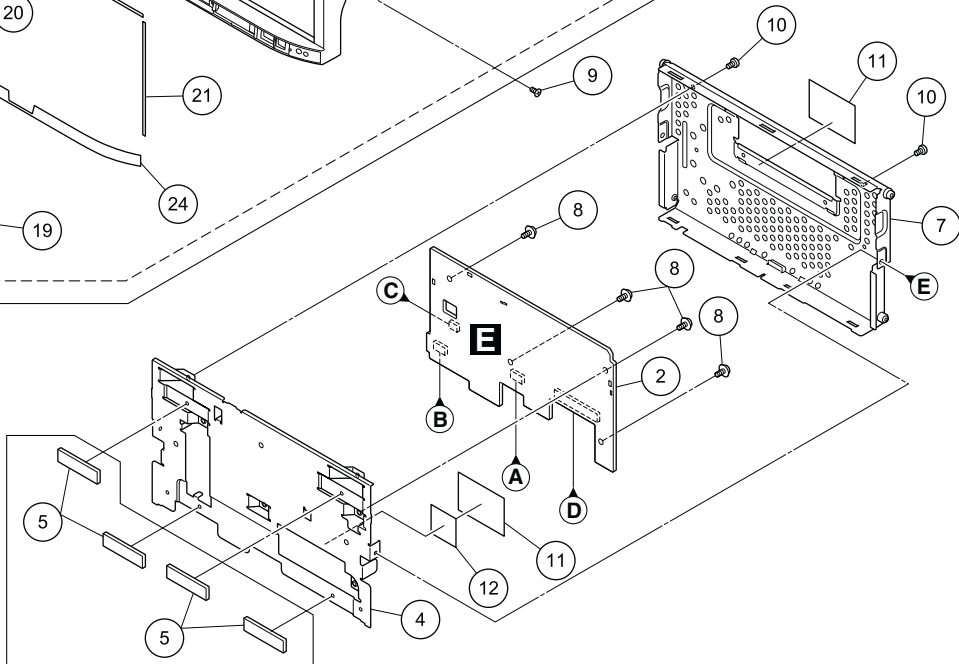
# 9.3 EXTERIOR (2)



7100NEX/XNUC  
F70DAB/XNEU5  
F70BT/XNID  
F70TV/XFBR



8100NEX/XNUC  
F77DAB/XNEU5  
F70DAB/XNAU



8100NEX/XNUC  
F77DAB/XNEU5  
F70DAB/XNAU

**(1) EXTERIOR (2) SECTION PARTS LIST**

<u>Mark No.</u>	<u>Description</u>	<u>Part No.</u>	<u>Mark No.</u>	<u>Description</u>	<u>Part No.</u>
1	•••••		16	Double Side Tape	CNN4681
2	Monitor Unit	See Contrast table (2)	17	Lighting Conductor	CNW3108
3	TFT LCD	CWX4182	18	Spacer	See Contrast table (2)
4	Holder	CND7007	19	Touch Panel	See Contrast table (2)
5	Cushion	See Contrast table (2)	20	Double Side Tape	See Contrast table (2)
6	Holder	See Contrast table (2)	21	Double Side Tape	See Contrast table (2)
7	Case Unit	CXE4761	22	Lighting Conductor	CNW3105
8	Screw	ASZ26P050FTC	23	FFC	CDD1038
9	Screw (M2 x 4)	CBA2265	24	Plate	See Contrast table (2)
10	Screw	BSZ26P050FTC	25	Touch Panel Unit	See Contrast table (2)
11	Sheet	CNN4232	26	Cushion	See Contrast table (2)
12	Sheet	CNN4869	27	Cushion	See Contrast table (2)
13	Grille Unit (Service)	See Contrast table (2)	28	Grille Assy	See Contrast table (2)
14	Button	CAI4322	29	Key Unit (Service)	CXX7594
15	Cap (HOME)	CNU2650			

**(2) CONTRAST TABLE**

AVIC-8100NEX/XNUC, AVIC-7100NEX/XNUC, AVIC-F77DAB/XNEU5, AVIC-F70DAB/XNEU5, AVIC-F70DAB/XNAU, AVIC-F70BT/XNID and AVIC-F70TV/XFBR are constructed the same except for the following:

<b>Mark</b>	<b>No.</b>	<b>Description</b>	<b>AVIC-8100 NEX/XNUC</b>	<b>AVIC-7100 NEX/XNUC</b>	<b>AVIC-F77 DAB/XNEU5</b>	<b>AVIC-F70 DAB/XNEU5</b>
	2	Monitor Unit	CWN9133	CWN9134	CWN9133	CWN9134
	5	Cushion	CNN4680	Not used	CNN4680	Not used
	6	Holder	CNW2507	Not used	CNW2507	Not used
	13	Grille Unit (Service)	CXX8164	Not used	CXX8163	Not used
	18	Spacer	CNW3107	CNW3104 (Holder)	CNW3107	CNW3104 (Holder)
	19	Touch Panel	CSX1213	CSX1241	CSX1213	CSX1241
	20	Double Side Tape	CNN4777	Not used	CNN4777	Not used
	21	Double Side Tape	CNN4004	Not used	CNN4004	Not used
	24	Plate	CNU3206	CNU3209	CNU3207	CNU3208
	25	Touch Panel Unit	Not used	CXE7770	Not used	CXE7770
	26	Cushion	Not used	CNN4271	Not used	CNN4271
	27	Cushion	Not used	CNN4272	Not used	CNN4272
	28	Grille Assy	Not used	CXE8357	Not used	CXE8358

<b>Mark</b>	<b>No.</b>	<b>Description</b>	<b>AVIC-F70 DAB/XNAU</b>	<b>AVIC-F70 BT/XNID</b>	<b>AVIC-F70 TV/XFBR</b>
	2	Monitor Unit	CWN9133	CWN9134	CWN9134
	5	Cushion	CNN4680	Not used	Not used
	6	Holder	CNW2507	Not used	Not used
	13	Grille Unit (Service)	CXX8165	Not used	Not used
	18	Spacer	CNW3107	CNW3104 (Holder)	CNW3104 (Holder)
	19	Touch Panel	CSX1213	CSX1241	CSX1241
	20	Double Side Tape	CNN4777	Not used	Not used
	21	Double Side Tape	CNN4004	Not used	Not used
	24	Plate	CNU3208	CNU3211	CNU3212
	25	Touch Panel Unit	Not used	CXE7770	CXE7770
	26	Cushion	Not used	CNN4271	CNN4271
	27	Cushion	Not used	CNN4272	CNN4272
	28	Grille Assy	Not used	CXE8359	CXE8360

# 9.4 EXTERIOR (3)

1

2

3

4

A

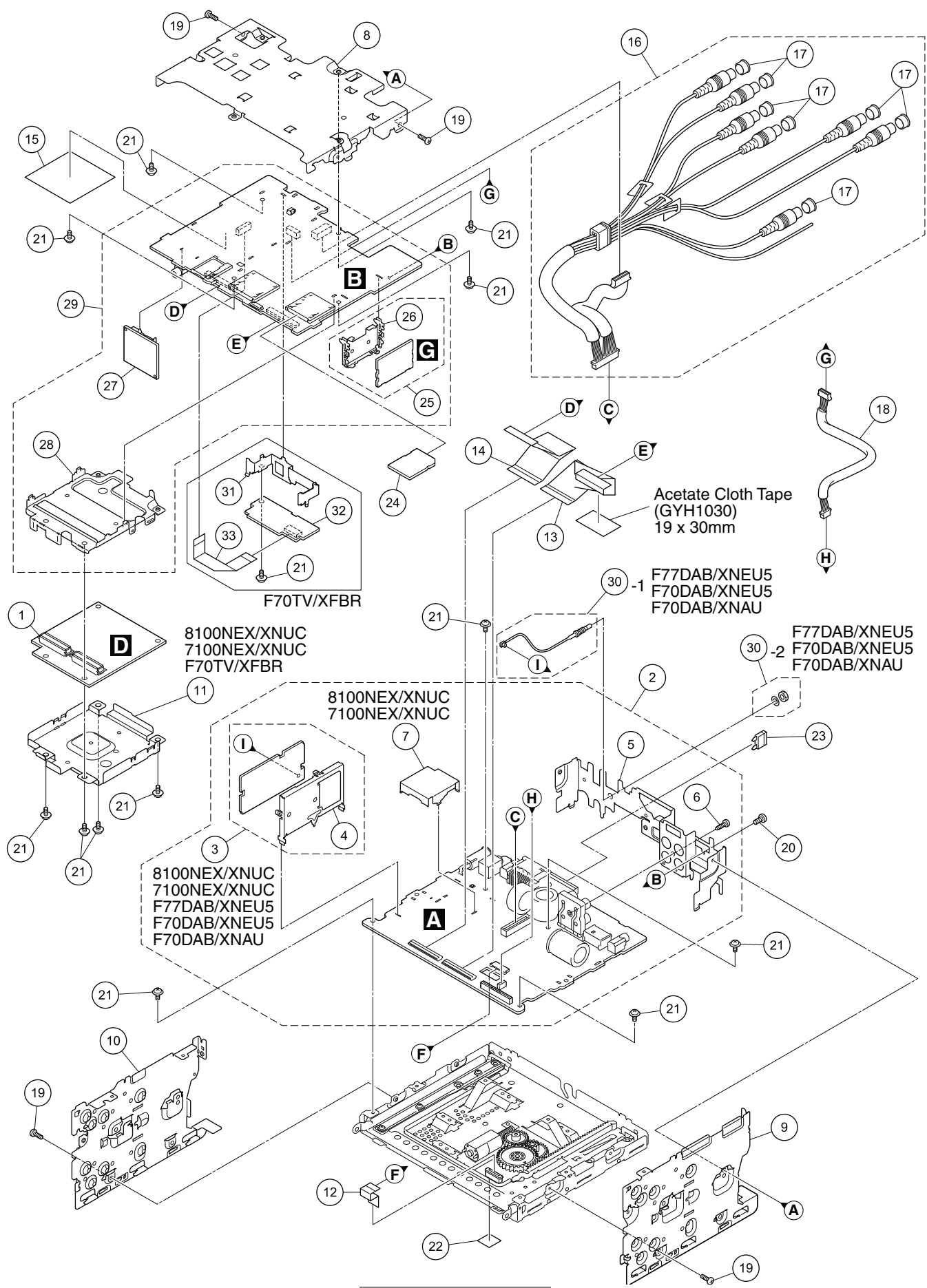
B

C

D

E

F



8100NEX/XNUC  
7100NEX/XNUC  
F70TV/XFBR

8100NEX/XNUC  
7100NEX/XNUC

8100NEX/XNUC  
7100NEX/XNUC  
F77DAB/XNEU5  
F70DAB/XNEU5  
F70DAB/XNAU

Acetate Cloth Tape  
(GYH1030)  
19 x 30mm

F77DAB/XNEU5  
F70DAB/XNEU5  
F70DAB/XNAU

F77DAB/XNEU5  
F70DAB/XNEU5  
F70DAB/XNAU

1

2

3

4

**(1) EXTERIOR (3) SECTION PARTS LIST**

<u>Mark No.</u>	<u>Description</u>	<u>Part No.</u>	<u>Mark No.</u>	<u>Description</u>	<u>Part No.</u>
1	SOC Dual Core Unit	CWN9394	16	Cable Assy	See Contrast table (2)
2	AV Unit	See Contrast table (2)	17	Cap	CNV6727
3	BE Core Unit (U1701)	See Contrast table (2)	18	Cable Assy	CDF1197
4	Holder	See Contrast table (2)	19	Screw	BSZ26P060FTC
5	Holder	See Contrast table (2)	20	Screw	BMZ30P060FTC
6	Screw	BPZ26P080FTC	21	Screw	ASZ26P050FTC
7	Shield Case	See Contrast table (2)	22	Label	CNN3533
8	Holder	CND6984	⚠ 23	Fuse (10 A)	YEK5001
9	Bracket	CND6985	24	Service Strage SD Assy	See Contrast table (2)
10	Bracket	CND6986	25	Sensor Unit	CWX4712
11	Shield Case	See Contrast table (2)	26	Holder	CND6958
12	FFC	CDD1034	27	BT Module	CWX4710
13	FFC	CDD1035	28	Holder	CND6987
14	FFC	CDD1036	29	IF Unit (Service)	See Contrast table (2)
15	Sheet	CNN4830	30	Antenna Cable Assy	See Contrast table (2)
			31	Holder	See Contrast table (2)
			32	DTT Tuner	See Contrast table (2)
			33	FFC	See Contrast table (2)

**(2) CONTRAST TABLE**

AVIC-8100NEX/XNUC, AVIC-7100NEX/XNUC, AVIC-F77DAB/XNEU5, AVIC-F70DAB/XNEU5, AVIC-F70DAB/XNAU, AVIC-F70BT/XNID and AVIC-F70TV/XFBR are constructed the same except for the following:

<b>Mark</b>	<b>No.</b>	<b>Description</b>	<b>AVIC-8100 NEX/XNUC</b>	<b>AVIC-7100 NEX/XNUC</b>	<b>AVIC-F77 DAB/XNEU5</b>	<b>AVIC-F70 DAB/XNEU5</b>
	2	AV Unit	CWN9095	CWN9097	CWN9094	CWN9106
	3	BE Core Unit (U1701)	CWE2518	CWE2518	CWE2534 (WWR Tuner Unit)	CWE2534 (WWR Tuner Unit)
	4	Holder	CND7288	CND7288	CND7288	CND7288
	5	Holder	CND6992	CND6992	CND7002	CND7409
	7	Shield Case	CND7003	CND7003	Not used	Not used
	11	Shield Case	CND6988	CND6988	Not used	Not used
	16	Cable Assy	CDF1082	CDF1082	CDF1217	CDF1082
	24	Service Strage SD Assy	CXX7607	CXX7609	CXX7606	CXX7606
	29	IF Unit (Service)	CXX7576	CXX7578	CXX7575	CXX7580
	30	Antenna Cable Assy	Not used	Not used	QXA3732	QXA3732
	31	Holder	Not used	Not used	Not used	Not used
	32	DTT Tuner	Not used	Not used	Not used	Not used
	33	FFC	Not used	Not used	Not used	Not used

<b>Mark</b>	<b>No.</b>	<b>Description</b>	<b>AVIC-F70 DAB/XNAU</b>	<b>AVIC-F70 BT/XNID</b>	<b>AVIC-F70 TV/XFBR</b>
	2	AV Unit	CWN9096	CWN9098	CWN9107
	3	BE Core Unit (U1701)	CWE2534 (WWR Tuner Unit)	Not used	Not used
	4	Holder	CND7288	Not used	Not used
	5	Holder	CND7002	CND6995	CND7365
	7	Shield Case	Not used	Not used	Not used
	11	Shield Case	Not used	Not used	CND6988
	16	Cable Assy	CDF1082	CDF1082	CDF1082
	24	Service Strage SD Assy	CXX7608	CXX7610	CXX7611
	29	IF Unit (Service)	CXX7577	CXX7579	CXX7581
	30	Antenna Cable Assy	QXA3732	Not used	Not used
	31	Holder	Not used	Not used	CND7536
	32	DTT Tuner	Not used	Not used	CWE2519
	33	FFC	Not used	Not used	CDD1122



## EXTERIOR (4) SECTION PARTS LIST

<u>Mark No.</u>	<u>Description</u>	<u>Part No.</u>	
1	Drive Mechanism Unit		
	AVIC-8100NEX/XNUC	CXE7000	A
	AVIC-7100NEX/XNUC	CXE7000	
	AVIC-F77DAB/XNEU5	CXE7000	
	AVIC-F70DAB/XNEU5	CXE7000	
	AVIC-F70DAB/XNAU	CXE7000	
	AVIC-F70BT/XNID	CXE7000	
	AVIC-F70TV/XFBR	CXE7765	
2	Screw	AMZ26P030FTC	
3	Washer	CBF1039	
4	Washer	CBF1064	
5	Spring	EBL1034	B
6	Frame	ENC2001	
7	Gear	ENV1630	
8	Gear	ENV1631	
9	Gear	ENV1632	
10	Gear	ENV1635	
11	Guide	ENV3001	
*	12 Chassis Unit	EXA4027	
	13 Motor Unit	EXA4003	
	14 PCB Assy (Service)	EXX2001	C
*	15 Cord (Green)	CDC1056	
*	16 Cord (White)	CDC1057	
	17 Screw	IMS26P060FTC	
	18 Screw	JFZ20P025FTC	
	19 Screw	EBA2002	

D

E

F

# 9.6 DVD MECHANISM MODULE (1)

1

2

3

4

A

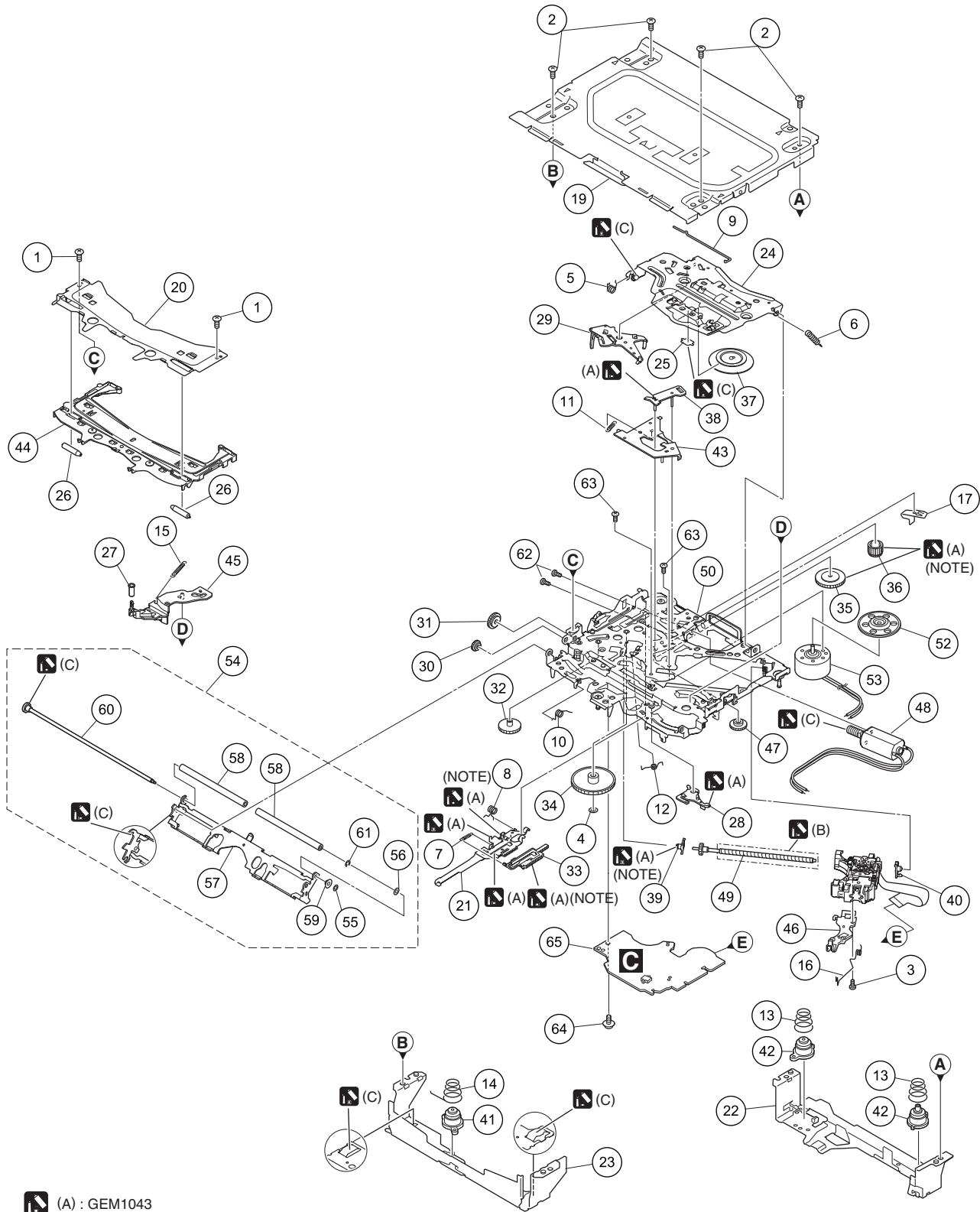
B

C

D

E

F



- (A) : GEM1043
- (B) : GEM1045
- (C) : GEM1024

(NOTE) Apply grease to the whole part.

1

2

3

4



## 12. ELECTRICAL PARTS LIST

### NOTE:

- Parts whose parts numbers are omitted are subject to being not supplied.
- The part numbers shown below indicate chip components.

#### Chip Resistor

RS1/○S○○○○J,RS1/○○S○○○○J

#### Chip Capacitor (except for CQS.....)

CKS....., CCS....., CSZS.....

- The  $\triangle$  mark found on some component parts indicates the importance of the safety factor of the part. Therefore, when replacing, be sure to use parts of identical designation.
- Meaning of the figures and others in the parentheses in the parts list.

Example) IC 301 is on the point (face A, 91 of x-axis, and 111 of y-axis) of the corresponding PC board.

IC 301 (A, 91, 111) IC NJM2068V

- The expression of the unit in this manual is shown by u instead of  $\mu$ . Please do not make a mistake.

<u>Circuit Symbol and No.</u>	<u>Part No.</u>	<u>Circuit Symbol and No.</u>	<u>Part No.</u>
<b>A:AVIC-8100NEX/XNUC</b>		<b>Unit Number:CWN9133(A,C,E)</b>	
<b>B:AVIC-7100NEX/XNUC</b>		<b>Unit Number:CWN9134(B,D,F,G)</b>	
<b>C:AVIC-F77DAB/XNEU5</b>		<b>Unit Name:Monitor Unit</b>	
<b>D:AVIC-F70DAB/XNEU5</b>		<b>Unit Number:CXX7594</b>	
<b>E:AVIC-F70DAB/XNAU</b>		<b>Unit Name:Key Unit (Service)</b>	
<b>F:AVIC-F70BT/XNID</b>		<b>Unit Number:CWX4712</b>	
<b>G:AVIC-F70TV/XFBR</b>		<b>Unit Name:Sensor Unit</b>	
<b>Unit Number:CWN9095(A)</b>		<b>Unit Number:EXX2001</b>	
<b>Unit Number:CWN9097(B)</b>		<b>Unit Name:PCB Assy (Service)</b>	
<b>Unit Number:CWN9094(C)</b>			
<b>Unit Number:CWN9106(D)</b>			
<b>Unit Number:CWN9096(E)</b>			
<b>Unit Number:CWN9098(F)</b>			
<b>Unit Number:CWN9107(G)</b>			
<b>Unit Name:AV Unit</b>			
<b>Unit Number:CXX7576(A)</b>			
<b>Unit Number:CXX7578(B)</b>			
<b>Unit Number:CXX7575(C)</b>			
<b>Unit Number:CXX7580(D)</b>			
<b>Unit Number:CXX7577(E)</b>			
<b>Unit Number:CXX7579(F)</b>			
<b>Unit Number:CXX7581(G)</b>			
<b>Unit Name:IF Unit (Service)</b>			
<b>Unit Number:CWX4717</b>			
<b>Unit Name:DVD Core Unit</b>			
<b>Unit Number:CWN9394</b>			
<b>Unit Name:SOC Dual Core Unit</b>			
		<b>A</b>	
		<b>Unit Number:CWN9095(A)</b>	
		<b>Unit Number:CWN9097(B)</b>	
		<b>Unit Number:CWN9094(C)</b>	
		<b>Unit Number:CWN9106(D)</b>	
		<b>Unit Number:CWN9096(E)</b>	
		<b>Unit Number:CWN9098(F)</b>	
		<b>Unit Number:CWN9107(G)</b>	
		<b>Unit Name:AV Unit</b>	
		<b>MISCELLANEOUS</b>	
		IC 101 (A,59,104) IC	NJM12904V
		IC 201 (A,98,136) Power AMP IC	PA2032A
		IC 302 (B,148,58) Regulator IC	MM3411A33N
		IC 303 (B,164,47) DC/DC Converter IC	NJW4132U2-A
		IC 304 (B,170,83) Regulator	BA00CC0WFP
		IC 305 (B,154,46) Regulator IC	R1516S033B-AE
		IC 501 (B,30,51) Regulator IC(A,B,C,D,E)	MM3479A33P
		IC 502 (B,33,58) Regulator IC(A,B,C,D,E)	S-1172B12-E6
		IC 503 (A,29,82) Regulator IC(C,D,E)	MM3479A33P
		IC 504 (B,46,50) Regulator IC	MM3571A33P
		IC 505 (B,42,43) Regulator IC(A,B,C,D,E)	MM3571A33P

Circuit Symbol and No.Part No.Circuit Symbol and No.Part No.

A	IC 601	(A,68,46)	ROM IC	CAT93C66VI	Q 1807	(A,153,20)	Bipolar Transistor	LSCR523UB
	IC 602	(A,90,35)	Flash Written IC	PEQ451A8(A,B)	Q 2201	(A,81,81)	Chip Transistor	HN1C03FU
			Flash Written IC	PEQ452A8(C,D,E)	Q 2202	(A,78,85)	Chip Transistor	HN1C03FU
			Flash Written IC	PEQ455A8(F)	Q 2203	(B,172,104)	Chip Transistor	HN1C03FU
			Flash Written IC	PEQ456A8(G)	Q 2204	(B,131,93)	Chip Transistor	HN1C03FU
	IC 603	(B,118,17)	Reset IC	PST8229N				
	IC 801	(B,74,62)	IC	AK4223VQ	Q 2301	(A,115,34)	Chip Transistor(F,G)	RN4982
	IC 901	(B,51,29)	IC	AK4223VQ	Q 2302	(A,115,25)	Chip Transistor(F,G)	RN4982
					Q 2303	(A,115,29)	Chip Transistor(F,G)	RN4982
	IC 1002	(B,148,75)	Dual OP-AMP	NJM4565V	Q 2304	(B,87,29)	Chip Transistor(F,G)	RN4982
	IC 1003	(B,152,100)	Dual OP-AMP	NJM4565V	D 103	(B,71,110)	Diode	UDZV6R2(B)
	IC 1005	(B,154,87)	IC	TC4052BFT	D 105	(B,129,81)	Diode	DZ2J200M0
	IC 1101	(B,134,55)	IC	AK7734XQ				
	IC 1201	(A,118,44)	CONV IC	WM8761BGED	D 106	(B,129,76)	Diode	UDZV7R5(B)
B	IC 1202	(A,116,54)	CONV IC	WM8761BGED	D 107	(B,127,79)	Rectifier Diode	DAN202UM
	IC 1203	(A,115,64)	CONV IC	WM8761BGED	D 109	(B,64,112)	Rectifier Diode	DA2J101
	IC 1301	(B,80,89)	IC	PM9012A	D 110	(B,79,136)	Diode	D1F60-5053
	IC 1501	(A,45,64)	Tuner IC(A,B)	TEF6688HN	D 111	(B,75,136)	Diode	D1F60-5053
		(A,45,64)	Tuner IC(C,D,E,F,G)	TEF6686HN	D 112	(B,50,108)	Diode	DZ2J056M0
	IC 1601	(A,38,45)	Tuner IC(A,B,C,D,E)	TEF6686HN	D 113	(B,52,111)	Diode	DZ2J180M0
					D 116	(B,61,107)	Rectifier Diode	DA2J101
	Q 101	(B,68,106)	Bipolar Transistor	LSCR523UB	D 118	(B,56,106)	Rectifier Diode	DA2J101
	Q 102	(B,132,78)	Chip Transistor	HN1C01FU	D 120	(A,58,112)	Rectifier Diode	DA2J101
	Q 104	(B,67,108)	Resistor Built-IN TR	LTC014EEB	D 122	(A,53,110)	Diode	D1F60-5053
	Q 105	(B,52,104)	Chip Transistor	HN1C01FU				
	Q 107	(B,64,106)	Bipolar Transistor	LSAR523UB	D 123	(B,90,95)	Diode	RB080L-30
C					D 124	(B,105,123)	Diode	CRG03
	Q 108	(B,58,106)	Bipolar Transistor	LSAR523UB	D 201	(B,94,114)	Rectifier Diode	DA2J101
	Q 109	(A,52,106)	Resistor Built-IN TR	LTC014EEB	D 202	(B,76,116)	Rectifier Diode	DAN202UM
	Q 110	(A,53,115)	Resistor Built-IN TR	LTC014EEB	D 203	(B,72,114)	Rectifier Diode	DAN202UM
	Q 111	(B,61,104)	Resistor Built-IN TR	LTC014EEB				
	Q 201	(B,79,111)	Transistor	RN4987	D 205	(B,93,111)	Diode	DZ2J082M0
					D 206	(B,85,110)	Rectifier Diode	DA2J101
	Q 202	(B,74,109)	Transistor	RN4987	D 305	(A,151,30)	Diode	DZ2J062M0
	Q 203	(B,77,112)	Resistor Built-IN TR	LTA024EEB	D 311	(B,171,44)	Schottky Diode	RB551VM-30
	Q 204	(B,85,113)	Chip Transistor	RN1903	D 501	(B,36,54)	Diode(A,B,C,D,E)	CRG03
	Q 205	(B,89,111)	Bipolar Transistor	LSCR523UB				
	Q 301	(B,160,39)	Resistor Built-IN TR	LTC014EEB	D 601	(B,115,19)	Rectifier Diode	DA2J101
D					D 602	(B,94,24)	Schottky Diode	DB2J31400
	Q 302	(B,163,38)	Bipolar Transistor	LSAR523UB	D 603	(B,94,31)	Schottky Diode	DB2J31400
	Q 307	(A,146,29)	Transistor	2SCR573DG	D 604	(B,74,23)	Schottky Diode(A,B)	DB2J31400
	Q 308	(A,152,33)	Resistor Built-IN TR	LTC014EEB	D 1401	(B,23,103)	Diode	EZAEG2A50AX
	Q 312	(A,152,46)	Bipolar Transistor	LSCR523UB				
	Q 314	(B,125,38)	Chip Transistor	2SB1689	D 1402	(B,59,83)	Switching Diode(A,B,C,D,E)	DAN217UM
					D 1404	(B,44,89)	Diode(A,B,C,D,E)	RN779F
	Q 315	(B,124,35)	Bipolar Transistor	LSCR523UB	D 1501	(A,43,82)	Diode	EZAEG2A50AX
	Q 602	(A,67,39)	Bipolar Transistor	LSCR523UB	D 1502	(A,36,75)	Diode	EZAEG2A50AX
	Q 1001	(B,155,82)	Chip Transistor	RN1907	D 1702	(B,35,78)	Diode(C,D,E)	DZ2J160M0
	Q 1401	(A,50,90)	Transistor(A,B,C,D,E)	2SC3357	L 101	(A,85,103)	Choke Coil 600 uH	CTH1221
	Q 1402	(B,51,89)	Bipolar Transistor(A,B,C,D,E)	LSAR523UB				
					L 303	(A,170,40)	Choke Coil 22uH	CTH1561
E	Q 1403	(B,52,85)	Bipolar Transistor(A,B,C,D,E)	LSCR523UB	L 901	(B,47,41)	Inductor	CTF1786
	Q 1404	(B,60,90)	Transistor(A,B,C,D,E)	2SC4083	L 902	(B,48,41)	Inductor	CTF1786
	Q 1405	(B,58,88)	Transistor(A,B,C,D,E)	2SC4083	L 1101	(A,130,54)	Ferrite Bead	CTF1528
	Q 1501	(A,31,58)	Bipolar Transistor(A,B)	MMBT2369L	L 1102	(A,144,52)	Ferrite Bead	CTF1528
	Q 1502	(A,31,55)	Bipolar Transistor(A,B)	MMBT2369L				
					L 1201	(A,112,49)	Inductor	CTF1786
	Q 1503	(A,38,58)	Bipolar Transistor(A,B)	MMBT2369L	L 1202	(A,110,59)	Inductor	CTF1786
	Q 1504	(A,37,55)	Bipolar Transistor(A,B)	MMBT2369L	L 1203	(A,114,70)	Inductor	CTF1786
	Q 1701	(B,25,79)	Resistor Built-IN TR(C,D,E)	LTC014EEB	L 1204	(B,141,51)	Chip Beads	VTL1132
	Q 1702	(B,27,88)	Transistor(C,D,E)	2SAR293PGZE	L 1405	(A,47,93)	Inductor(A,B,C,D,E)	CTF1794
	Q 1703	(B,33,84)	Transistor(C,D,E)	2SCR293PGZE				
					L 1406	(A,42,93)	Inductor(A,B,C,D,E)	ATL7054
	Q 1801	(B,153,20)	Chip Transistor	RN4982	L 1407	(A,46,87)	Inductor(A,B,C,D,E)	LCYB47NJ1608
	Q 1802	(B,148,19)	Chip Transistor	RN1910	L 1408	(A,54,91)	Inductor(A,B,C,D,E)	LCYB22NJ1608
F	Q 1804	(B,159,18)	Transistor	2SB1260	L 1409	(A,54,78)	Coil(A,B,C,D,E)	CTC1213
	Q 1805	(B,155,16)	Resistor Built-IN TR	LTC014EEB	L 1411	(A,63,83)	Inductor(A,B,C,D,E)	CTF1786
	Q 1806	(A,153,24)	IC	RZQ050P01				
					L 1501	(A,53,54)	Inductor	CTF1749

<u>Circuit Symbol and No.</u>		<u>Part No.</u>	<u>Circuit Symbol and No.</u>		<u>Part No.</u>
L 1503	(A,37,73) Inductor	LCYC150K1608	R 115	(B,66,114)	RS1/16SS472J
L 1504	(B,29,96) Inductor	CTF1389	R 116	(B,64,116)	RS1/4SA102J
L 1505	(A,45,82) Inductor	LCMAR27J1608	R 117	(B,54,104)	RS1/16SS473J
L 1601	(A,34,33) Inductor(A,B,C,D,E)	CTF1749	R 118	(B,52,106)	RS1/16SS473J
L 1603	(A,56,45) Inductor(A,B,C,D,E)	LCMAR27J1608	R 119	(B,53,106)	RS1/16SS104J
L 2201	(A,94,72) Ferrite Bead	CTF1528	R 120	(B,54,109)	RS1/16SS472J
L 2202	(A,104,72) Ferrite Bead	CTF1528	R 122	(B,62,110)	RS1/16SS102J
L 2203	(A,94,73) Ferrite Bead	CTF1528	R 123	(B,65,108)	RS1/16SS103J
L 2204	(A,105,74) Ferrite Bead	CTF1528	R 124	(B,65,104)	RS1/16SS223J
L 2205	(A,106,76) Ferrite Bead	CTF1528	R 125	(B,58,112)	RS1/16SS103J
L 2206	(A,94,76) Ferrite Bead	CTF1528	R 126	(B,56,104)	RS1/16SS223J
L 2207	(A,104,76) Ferrite Bead	CTF1528	R 127	(B,60,108)	RS1/16SS102J
L 2208	(A,94,77) Ferrite Bead	CTF1528	R 128	(B,58,108)	RS1/16SS103J
L 2209	(A,104,78) Ferrite Bead	CTF1528	R 129	(B,55,113)	RS1/16SS103J
L 2210	(A,101,68) Ferrite Bead	CTF1528	R 130	(A,54,104)	RS1/16SS104J
L 2211	(A,111,82) Chip Ferrite Bead	BTX1047	R 131	(A,53,104)	RS1/16SS473J
X 601	(A,110,31) Resonator 3.932 16 MHz	CSS1772	R 132	(A,54,103)	RS1/16SS563J
X 1101	(B,136,65) Resonator 12.288 MHz	CSS1811	R 133	(A,58,107)	RS1/16SS513J
X 1501	(A,54,60) Crystal Resonator 9.216 MHz	CSS1863	R 134	(A,64,104)	RS1/16SS104J
X 1601	(A,39,37) Crystal Resonator 9.216 MHz(A,B,C,D,E)	CSS1863	R 135	(A,65,104)	RS1/16SS513J
P 301	(A,156,30) Fuse 1.5 A	CEK1282	R 136	(A,64,103)	RS1/16SS513J
P 1401	(B,24,103) Surge Absorber	IMSA-6803-01Y900	R 137	(A,60,110)	RS1/16SS102J
P 1701	(B,72,100) Poly Switch(C,D,E)	FSMD075-24R	R 138	(A,64,106)	RS1/16SS102J
P 2101	(A,127,105) Poly Switch	FSMD075-24R	R 139	(A,66,107)	RS1/16SS564J
P 2201	(A,113,78) Poly Switch	FSMD075-24R	R 140	(A,55,113)	RS1/16SS822J
P 2202	(B,164,125) Poly Switch	FSMD075-24R	R 141	(A,56,112)	RS1/16SS202J
P 2203	(B,134,99) Poly Switch	FSMD075-24R	R 142	(A,56,114)	RS1/16SS203J
P 2206	(B,141,98) Poly Switch	FSMD075-24R	R 143	(A,55,112)	RS1/16SS333J
P 2207	(A,94,101) Fuse 3.5 A	CEK1343	R 144	(A,49,112)	RS1/10SR0R0J
P 2208	(A,107,89) Fuse 5.0 A	CEK1346	R 145	(B,50,116)	RS1/4SA102J
P 2209	(A,43,121) Poly Switch	FSMD075-24R	R 149	(A,54,119)	RS1/10SR0R0J
BZ601	(A,165,29) Buzzer	CPV1062	R 150	(B,54,116)	RS1/10SR0R0J
VL1501	(A,44,73) Variable Coil	CTC1216	R 201	(B,83,110)	RS1/16SS683J
VL1601	(A,48,45) Variable Coil(A,B,C,D,E)	CTC1216	R 202	(B,92,114)	RS1/16SS102J
CN1801	(A,153,8) 30P Connector	VKN1620	R 205	(B,86,120)	RS1/16SS0R0J
CN1802	(A,145,18) Connector	CKS6007	R 207	(A,86,121)	RS1/16SS0R0J
CN1901	(A,129,35) Connector	CKS6095	R 210	(A,109,126)	RS1/16SS0R0J
CN2001	(A,108,11) FFC/FPC Connector	CKS6646	R 213	(B,87,109)	RS1/16SS683J
CN2002	(A,71,11) FFC/FPC Connector	CKS6646	R 214	(B,84,120)	RS1/16SS152J
CN2101	(A,157,116) Connector	CKS4497	R 215	(B,85,120)	RS1/16SS101J
CN2201	(A,99,83) 3.5 DIA Jack	CKS6600	R 217	(B,90,114)	RS1/16SS473J
JA101	(A,64,132) Connector	CKM1613	R 218	(B,90,113)	RS1/16SS104J
JA1401	(A,16,120) Antenna Jack	YKS5041	R 219	(B,88,113)	RS1/16SS103J
JA2202	(A,174,119) 3.5 DIA Jack	CKS6437	R 223	(B,105,58)	RS1/10SR0R0J
JA2203	(A,131,113) RCA Jack(A,B,D,E,F,G)	CKB1111	R 224	(B,86,121)	RS1/16SS473J
JA2204	(A,131,113) RCA Jack(C)	CKB1116	R 225	(B,87,117)	RS1/16SS101J
JA2204	(A,30,131) Mini Jack(4P)	AKN1073	R 311	(B,163,41)	RS1/16SS222J
JA2205	(A,43,130) 3.5 DIA Jack	CKS6437	R 312	(B,161,40)	RS1/16SS222J
R 102	(B,128,87)	RS1/10SR224J	R 313	(B,161,35)	RS1/16SS473J
R 105	(B,70,107)	RS1/16SS473J	R 314	(B,174,87)	RS1/16SS6800D
R 106	(B,70,108)	RS1/16SS473J	R 315	(B,174,86)	RS1/16SS3901D
R 107	(B,69,111)	RS1/16SS432J	R 316	(B,174,88)	RS1/16SS2702D
R 108	(B,68,115) 1 kohm	CCN1326	R 318	(B,167,95)	RS1/4SA0R0J
R 109	(B,130,77)	RS1/16SS473J	R 320	(B,164,87)	RS1/10SR0R0J
R 110	(B,132,80)	RS1/16SS103J	R 323	(A,151,52)	RS1/10SR102J
R 111	(B,130,79)	RS1/16SS103J	R 324	(A,145,53)	RS1/10SR0R0J
R 113	(B,132,75)	RS1/16SS473J	R 327	(A,152,29)	RS1/10SR121J
R 114	(B,66,111)	RS1/16SS103J	R 328	(A,136,43)	RS1/16SS473J
			R 329	(A,153,33)	RS1/16SS220J

**RESISTORS**

Circuit Symbol and No.Part No.Circuit Symbol and No.Part No.

	R 341	(A,150,48)	RS1/16SS471J	R 655	(A,73,25)	RS1/16SS101J
				R 656	(A,74,28)	RS1/16SS0R0J
A	R 342	(A,155,44)	RS1/16SS103J	R 657	(B,98,42)	RS1/16SS103J
	R 343	(A,152,44)	RS1/16SS682J			
	R 346	(B,163,43)	RS1/16SS1303D	R 659	(B,73,29)	RS1/16SS104J
	R 347	(B,161,44)	RS1/16SS1002D	R 660	(A,92,54)	RS1/16SS101J
	R 354	(A,169,47)	RS1/10SR0R0J	R 661	(B,86,45) (A,B,C,D,E)	RS1/16SS681J
				R 662	(A,91,51) (A,B,C,D,E)	RS1/16SS101J
	R 355	(B,162,57)	RS1/16SS0R0J	R 663	(A,102,53)	RS1/16SS0R0J
	R 358	(B,156,40)	RS1/10SR0R0J			
	R 359	(B,159,42)	RS1/10SR0R0J	R 664	(A,109,42)	RS1/16SS101J
	R 361	(B,156,52)	RS1/10SR0R0J	R 665	(B,103,39)	RS1/16SS471J
	R 362	(B,122,38)	RS1/10SR103J	R 667	(A,72,38)	RS1/16SS101J
				R 668	(A,71,40) (G)	RS1/16SS101J
	R 363	(B,121,34)	RS1/10SR331J	R 669	(B,77,42) (G)	RS1/16SS0R0J
B	R 364	(B,126,34)	RS1/16SS103J			
	R 365	(B,127,36)	RS1/16SS103J	R 670	(B,102,23)	RS1/16SS472J
	R 366	(B,129,33)	RS1/16SS103J	R 671	(A,96,50)	RS1/16SS681J
	R 504	(B,30,32) (F,G)	RS1/16SS102J	R 673	(B,103,43)	RS1/16SS221J
	R 505	(B,27,51) (A,B,C,D,E)	RS1/16SS102J	R 675	(B,102,22)	RS1/16SS471J
				R 677	(A,106,45)	RS1/16SS0R0J
	R 508	(A,25,82) (C,D,E)	RS1/16SS102J			
	R 509	(B,35,62) (A,B,C,D,E)	RS1/16SS102J	R 678	(B,84,44)	RS1/16SS121J
	R 511	(B,41,46) (A,B,C,D,E)	RS1/16SS102J	R 679	(B,105,46)	RS1/16SS101J
	R 513	(B,29,33) (A,B,C,D,E)	RS1/16SS102J	R 680	(B,102,45)	RS1/16SS101J
	R 518	(A,75,71)	RS1/8SQ0R0J	R 682	(A,106,41)	RS1/16SS680J
				R 684	(B,99,14)	RS1/16SS102J
	R 602	(B,77,40) (G)	RS1/16SS471J			
C	R 604	(A,74,41) (G)	RS1/16SS473J	R 685	(A,103,50)	RS1/16SS102J
	R 605	(B,85,44)	RS1/16SS121J	R 686	(A,106,25)	RS1/16SS681J
	R 607	(B,113,16)	RS1/16SS104J	R 687	(A,107,24)	RS1/16SS0R0J
	R 608	(B,103,34)	RS1/16SS104J	R 688	(A,72,27)	RS1/16SS0R0J
				R 689	(B,105,22)	RS1/16SS101J
	R 609	(B,103,35)	RS1/16SS104J			
	R 610	(A,105,32)	RS1/16SS100J	R 690	(A,104,23)	RS1/16SS0R0J
	R 611	(B,99,28)	RS1/16SS104J	R 691	(B,102,28)	RS1/16SS0R0J
	R 612	(B,113,17)	RS1/16SS102J	R 693	(B,118,15)	RS1/16SS102J
	R 613	(A,105,35)	RS1/16SS473J	R 694	(B,103,33)	RS1/16SS104J
				R 695	(B,103,36)	RS1/16SS104J
	R 614	(A,99,54)	RS1/16SS681J			
	R 615	(A,97,50)	RS1/16SS681J	R 697	(A,106,39)	RS1/16SS471J
D	R 616	(B,102,26)	RS1/16SS101J	R 698	(A,107,42)	RS1/16SS473J
	R 617	(B,102,25)	RS1/16SS101J	R 699	(A,77,49)	RS1/16SS102J
	R 618	(A,105,46)	RS1/16SS473J	R 700	(A,72,50)	RS1/16SS472J
				R 701	(A,77,48)	RS1/16SS102J
	R 620	(B,103,23)	RS1/16SS472J			
	R 621	(B,103,22)	RS1/16SS471J	R 702	(A,66,41)	RS1/16SS473J
	R 622	(A,101,51)	RS1/16SS473J	R 703	(A,74,48)	RS1/16SS102J
	R 623	(A,100,51)	RS1/16SS473J	R 704	(A,73,47)	RS1/16SS473J
	R 624	(A,99,51)	RS1/16SS473J	R 705	(A,74,49)	RS1/16SS473J
				R 706	(B,96,53)	RS1/16SS473J
	R 625	(B,103,27)	RS1/16SS182J			
	R 630	(B,94,20)	RS1/16SS102J	R 707	(A,95,50)	RS1/16SS101J
	R 632	(B,104,27)	RS1/16SS182J	R 708	(A,94,52)	RS1/16SS681J
E	R 633	(B,102,41)	RS1/16SS0R0J	R 709	(B,92,41)	RS1/16SS222J
	R 634	(A,73,46)	RS1/16SS0R0J	R 710	(B,91,43)	RS1/16SS101J
				R 711	(A,92,52)	RS1/16SS101J
	R 637	(B,92,16)	RS1/16SS101J			
	R 639	(B,104,46)	RS1/16SS182J	R 712	(A,85,53)	RS1/16SS221J
	R 640	(A,88,51)	RS1/16SS0R0J	R 713	(A,83,54)	RS1/16SS182J
	R 641	(A,93,54)	RS1/16SS101J	R 714	(A,84,53)	RS1/16SS221J
	R 642	(A,86,51) (A,B)	RS1/16SS102J	R 715	(A,83,53)	RS1/16SS182J
				R 716	(B,81,24) (B,D)	RS1/16SS104J
	R 645	(B,102,47)	RS1/16SS182J	R 717	(A,82,20) (A,C,E,F,G)	RS1/16SS104J
	R 646	(B,79,20)	RS1/16SS104J			
	R 647	(A,108,39)	RS1/16SS473J			
	R 648	(A,73,33)	RS1/16SS104J	R 720	(A,90,51) (A,B,C,D,E)	RS1/16SS101J
F	R 649	(A,75,33) (A,B,C,D,E)	RS1/16SS104J	R 722	(B,83,44)	RS1/16SS121J
				R 723	(A,83,50) (A,B,C,D,E)	RS1/16SS104J
	R 651	(B,72,33)	RS1/16SS104J	R 724	(A,80,50) (A,B,C,D,E)	RS1/16SS102J
	R 654	(A,74,25)	RS1/16SS101J	R 725	(A,74,50)	RS1/16SS102J

<u>Circuit Symbol and No.</u>		<u>Part No.</u>	<u>Circuit Symbol and No.</u>		<u>Part No.</u>
R 726	(A,74,45)	RS1/16SS471J	R 827	(B,83,58) (A,B,C,D,E,F)	RS1/16SS2200D
R 727	(B,77,45)	RS1/16SS104J			
R 728	(A,73,44) (A,B,C,D,E)	RS1/16SS101J	R 829	(B,77,55)	RS1/16SS750J
R 729	(A,75,44) (A,B,C,D,E)	RS1/16SS101J	R 831	(B,84,64)	RS1/16SS104J
R 730	(B,85,24) (A,B,F,G)	RS1/16SS104J	R 844	(B,70,74)	RS1/16SS101J
			R 845	(B,66,73)	RS1/16SS101J
R 733	(B,86,23) (A,E,F,G)	RS1/16SS104J	R 846	(B,67,69)	RS1/16SS101J
R 738	(A,69,38)	RS1/16SS104J			
R 739	(A,69,40)	RS1/16SS473J	R 850	(B,64,62)	RS1/16SS101J
R 740	(B,92,23) (A,B,C,D,E)	RS1/16SS103J	R 851	(B,65,60)	RS1/16SS101J
	(B,92,23) (F,G)	RS1/16SS1002D	R 852	(B,65,59)	RS1/16SS101J
			R 853	(B,63,57)	RS1/16SS101J
R 741	(B,87,22) (B,C,D)	RS1/16SS104J	R 854	(B,65,55)	RS1/16SS101J
R 746	(B,75,19) (A,B,C)	RS1/16SS0R0J			
			R 855	(B,65,54)	RS1/16SS101J
R 748	(B,87,23) (C,D,E)	RS1/16SS104J	R 859	(B,82,56)	RS1/16SS75R0D
R 750	(B,87,24)	RS1/16SS0R0J	R 901	(A,49,30)	RS1/16SS0R0J
R 751	(B,85,33)	RS1/16SS0R0J	R 910	(B,58,31)	RS1/16SS104J
R 752	(B,74,34)	RS1/16SS223J	R 920	(B,51,16) (A,B,G)	RS1/16SS101J
R 754	(B,76,33)	RS1/16SS223J			
R 755	(B,112,16)	RS1/16SS0R0J	R 921	(B,50,14) (A,B,G)	RS1/16SS101J
			R 922	(B,50,16) (A,B,G)	RS1/16SS101J
R 757	(A,72,25)	RS1/16SS101J	R 923	(A,49,28)	RS1/16SS0R0J
R 758	(B,81,30)	RS1/16SS471J	R 944	(B,33,24)	RS1/10SR0R0J
R 761	(A,75,23)	RS1/16SS101J	R 945	(B,56,14)	RS1/16SS0R0J
R 762	(A,75,25)	RS1/16SS101J			
R 763	(A,77,22)	RS1/16SS101J	R 946	(B,56,16)	RS1/16SS0R0J
			R 953	(B,38,11)	RS1/10SR0R0J
R 767	(B,105,24)	RS1/16SS105J	R 954	(B,33,26)	RS1/10SR0R0J
R 769	(B,100,43)	RS1/16SS104J	R 1007	(B,154,73)	RS1/16SS473J
R 772	(A,84,20)	RS1/16SS471J	R 1008	(B,153,73)	RS1/16SS473J
R 773	(A,85,20)	RS1/16SS471J			
R 774	(B,85,23)	RS1/16SS104J	R 1009	(B,144,73)	RS1/16SS473J
			R 1010	(B,143,73)	RS1/16SS473J
R 775	(A,71,40)	RS1/16SS473J	R 1011	(B,146,101)	RS1/16SS473J
R 776	(B,80,23)	RS1/16SS104J	R 1012	(B,147,101)	RS1/16SS473J
R 777	(B,80,16)	RS1/16SS101J	R 1013	(B,157,101)	RS1/16SS473J
R 779	(B,90,56)	RS1/16SS472J			
R 780	(B,96,17) (C,D,E)	RS1/16SS0R0J	R 1014	(B,158,101)	RS1/16SS473J
R 782	(B,93,34)	RS1/16SS1002D	R 1015	(B,148,71)	RS1/16SS0R0J
			R 1016	(B,152,103)	RS1/16SS0R0J
R 787	(B,82,29)	RS1/16SS104J	R 1017	(B,145,71)	RS1/16SS473J
R 789	(B,108,20)	RS1/16SS473J	R 1018	(B,154,103)	RS1/16SS473J
R 790	(B,109,20)	RS1/16SS473J			
R 792	(B,106,20)	RS1/16SS103J	R 1019	(B,152,71)	RS1/16SS473J
R 793	(B,79,28)	RS1/16SS104J	R 1020	(B,150,103)	RS1/16SS473J
			R 1023	(B,143,75)	RS1/16SS473J
R 796	(B,93,35)	RS1/16SS1001D	R 1024	(B,158,99)	RS1/16SS473J
R 797	(B,95,26) (A,B,C,D,E)	RS1/16SS102J	R 1025	(B,154,75)	RS1/16SS473J
	(B,95,26) (F,G)	RS1/16SS1001D			
R 798	(A,108,61)	RS1/10SR0R0J	R 1026	(B,146,99)	RS1/16SS473J
R 800	(B,100,46)	RS1/16SS101J	R 1027	(B,145,80)	RS1/16SS0R0J
R 801	(A,73,63)	RS1/16SS0R0J	R 1028	(B,155,95)	RS1/16SS0R0J
			R 1040	(B,151,93)	RS1/16SS0R0J
R 802	(A,75,63)	RS1/16SS0R0J	R 1044	(B,151,82)	RS1/16SS473J
R 803	(B,78,70)	RS1/16SS101J			
R 804	(B,78,71)	RS1/16SS101J	R 1047	(B,147,88)	RS1/16SS473J
R 805	(B,81,67)	RS1/16SS101J	R 1048	(B,146,88)	RS1/16SS473J
R 806	(B,83,66)	RS1/16SS101J	R 1057	(B,156,93)	RS1/16SS0R0J
			R 1058	(B,151,83)	RS1/16SS473J
R 811	(B,64,56)	RS1/16SS223J	R 1061	(B,153,78)	RS1/10SR0R0J
R 812	(B,64,54)	RS1/16SS223J			
R 813	(B,63,61)	RS1/16SS223J	R 1062	(B,143,78)	RS1/10SR0R0J
R 814	(B,63,59)	RS1/16SS223J	R 1063	(B,147,96)	RS1/10SR0R0J
R 817	(B,68,74)	RS1/16SS223J	R 1064	(B,157,96)	RS1/10SR0R0J
			R 1065	(B,154,68)	RS1/10SR0R0J
R 818	(B,65,69)	RS1/16SS223J	R 1066	(B,144,67)	RS1/10SR0R0J
R 821	(B,76,55) (C,D,E,F,G)	RS1/16SS470J			
R 823	(B,73,54)	RS1/16SS104J	R 1067	(B,151,65)	RS1/10SR0R0J
R 824	(B,81,69)	RS1/16SS75R0D	R 1068	(B,146,65)	RS1/10SR0R0J
R 825	(B,82,67)	RS1/16SS75R0D	R 1101	(B,130,60)	RS1/16SS473J

**Circuit Symbol and No.****Part No.****Circuit Symbol and No.****Part No.**

R 1102 (B,136,62)  
R 1103 (B,126,53)

RS1/16SS222J  
RS1/16SS473J

R 1423 (B,54,84) (A,B,C,D,E)  
R 1425 (B,59,87) (A,B,C,D,E)  
R 1426 (B,62,92) (A,B,C,D,E)  
R 1427 (B,60,92) (A,B,C,D,E)  
R 1437 (B,39,91) (A,B,C,D,E)

RS1/16SS474J  
RS1/16SS681J  
RS1/16SS271J  
RS1/16SS561J  
RS1/16SS0R0J

A

R 1104 (B,140,58)  
R 1105 (B,139,47)  
R 1106 (B,138,47)  
R 1107 (B,144,56)  
R 1109 (B,136,43)

RS1/16SS220J  
RS1/16SS101J  
RS1/16SS470J  
RS1/16SS101J  
RS1/8SQ102J

R 1439 (A,54,83) (A,B,C,D,E)  
R 1441 (B,55,92) (A,B,C,D,E)  
R 1444 (B,48,88) (A,B,C,D,E)  
R 1445 (B,47,87) (A,B,C,D,E)  
R 1447 (B,55,90) (A,B,C,D,E)

RS1/16SS0R0J  
RS1/16SS471J  
RS1/10SR821J  
RS1/16SS473J  
RS1/16SS0R0J

■

R 1110 (B,137,47)  
R 1111 (B,135,47)  
R 1112 (B,141,58)  
R 1113 (B,144,58)  
R 1115 (B,131,48)

RS1/8SQ102J  
RS1/8SQ102J  
RS1/16SS220J  
RS1/8SQ220J  
RS1/16SS0R0J

R 1448 (B,55,88) (A,B,C,D,E)  
R 1449 (B,53,91) (A,B,C,D,E)  
R 1453 (B,60,86) (A,B,C,D,E)  
R 1502 (A,51,68)  
R 1503 (A,40,70)

RS1/16SS132J  
RS1/16SS751J  
RS1/16SS0R0J  
RS1/16SS0R0J  
RS1/16SS0R0J

B

R 1119 (B,142,56)  
R 1120 (B,128,61)  
R 1121 (B,126,61)  
R 1122 (B,125,58)  
R 1123 (B,125,56)

RS1/16SS104J  
RS1/8SQ222J  
RS1/8SQ222J  
RS1/16SS472J  
RS1/16SS472J

R 1505 (A,50,62)  
R 1507 (A,49,62)  
R 1508 (A,49,58)  
R 1509 (A,48,56)  
R 1510 (A,48,60)

RS1/16SS103J  
RS1/16SS103J  
RS1/16SS472J  
RS1/16SS472J  
RS1/16SS101J

■

R 1124 (A,122,59)  
R 1205 (A,135,47)  
R 1206 (A,135,49)  
R 1207 (B,142,49)  
R 1208 (B,143,52)

RS1/8SQ0R0J  
RS1/10SR470J  
RS1/10SR470J  
RS1/10SR820J  
RS1/10SR470J

R 1511 (A,47,60)  
R 1512 (A,46,57)  
R 1513 (A,36,72)  
R 1514 (B,29,102)  
R 1515 (B,29,98)

RS1/16SS101J  
RS1/16SS0R0J  
RS1/16SS391J  
RS1/16SS105J  
RS1/16SS105J

C

R 1209 (B,142,53)  
R 1210 (A,135,50)  
R 1212 (B,117,45)  
R 1213 (B,121,47)  
R 1214 (B,114,57)

RS1/10SR470J  
RS1/10SR470J  
RS1/8SQ821J  
RS1/8SQ821J  
RS1/10SR821J

R 1516 (A,43,57) (A,B,C,D,E)  
R 1517 (A,43,59) (A,B,C,D,E)  
R 1518 (A,42,57) (A,B,C,D,E)  
R 1519 (A,41,59) (A,B,C,D,E)  
R 1520 (A,49,66)

RS1/16SS0R0J  
RS1/16SS0R0J  
RS1/16SS0R0J  
RS1/16SS0R0J  
RS1/16SS0R0J

■

R 1215 (B,115,55)  
R 1217 (B,116,65)  
R 1218 (A,125,49)  
R 1219 (A,125,48)  
R 1220 (B,115,50)

RS1/10SR821J  
RS1/10SR821J  
RS1/16SS0R0J  
RS1/16SS0R0J  
RS1/16SS0R0J

R 1522 (A,31,60) (A,B)  
R 1523 (A,33,58) (A,B)  
R 1524 (A,30,51) (A,B)  
R 1525 (A,33,56) (A,B)  
R 1526 (A,40,63) (A,B)

RS1/16SS182J  
RS1/16SS332J  
RS1/16SS121J  
RS1/16SS102J  
RS1/16SS0R0J

D

R 1221 (B,120,54)  
R 1222 (B,117,60)  
R 1301 (A,80,79)  
R 1305 (B,94,119)  
R 1306 (B,91,118)

RS1/16SS0R0J  
RS1/16SS0R0J  
RS1/10SR0R0J  
RS1/8SQ362J  
RS1/8SQ362J

R 1527 (A,38,61) (A,B)  
R 1528 (A,40,57) (A,B)  
R 1529 (A,35,57) (A,B)  
R 1530 (A,40,54) (A,B)  
R 1531 (A,34,56) (A,B)

RS1/16SS0R0J  
RS1/16SS182J  
RS1/16SS332J  
RS1/16SS121J  
RS1/16SS102J

■

R 1307 (B,98,123)  
R 1308 (B,88,118)  
R 1309 (B,98,120)  
R 1310 (B,91,120)  
R 1311 (B,98,121)

RS1/8SQ362J  
RS1/8SQ362J  
RS1/16SS562J  
RS1/16SS562J  
RS1/16SS562J

R 1532 (A,35,63) (A,B)  
R 1533 (A,35,60) (A,B)  
R 1534 (A,33,63) (A,B)  
R 1535 (A,33,62) (A,B)  
R 1536 (A,33,54) (A,B)

RS1/16SS0R0J  
RS1/16SS0R0J  
RS1/16SS0R0J  
RS1/16SS0R0J  
RS1/16SS0R0J

E

R 1312 (B,90,119)  
R 1402 (B,32,100)  
R 1403 (A,46,92) (A,B,C,D,E)  
R 1404 (A,43,90) (A,B,C,D,E)  
R 1405 (A,44,87) (A,B,C,D,E)

RS1/16SS562J  
RS1/16SS0R0J  
RS1/16SS103J  
RS1/4SA181J  
RS1/10SR0R0J

R 1537 (A,34,54) (A,B)  
R 1538 (A,34,59) (A,B)  
R 1539 (A,40,59) (A,B)  
R 1540 (A,45,52)  
R 1542 (A,43,52)

RS1/16SS0R0J  
RS1/16SS0R0J  
RS1/16SS0R0J  
RS1/10SR0R0J  
RS1/10SR0R0J

■

R 1406 (A,54,93) (A,B,C,D,E)  
R 1407 (A,54,74) (A,B,C,D,E)  
R 1408 (A,43,84) (A,B,C,D,E)  
R 1409 (A,55,73) (A,B,C,D,E)  
R 1410 (A,40,83) (F,G)  
R 1413 (B,37,91) (F,G)

RS1/10SR220J  
RS1/16SS101J  
RS1/16SS0R0J  
RS1/16SS0R0J  
RS1/16SS0R0J  
RS1/16SS0R0J

R 1543 (A,33,67)  
R 1545 (A,48,58)  
R 1546 (A,47,58)  
R 1547 (A,51,56)  
R 1548 (A,34,67)

RS1/10SR0R0J  
RS1/16SS0R0J  
RS1/16SS0R0J  
RS1/8SQ0R0J  
RS1/10SR0R0J

F

R 1415 (B,26,103)  
R 1417 (B,51,87) (A,B,C,D,E)  
R 1418 (B,53,84) (A,B,C,D,E)  
R 1420 (B,53,88) (A,B,C,D,E)  
R 1421 (B,53,90) (A,B,C,D,E)  
R 1422 (B,55,86) (A,B,C,D,E)

RS1/16SS0R0J  
RS1/16SS472J  
RS1/16SS271J  
RS1/16SS220J  
RS1/16SS472J  
RS1/16SS223J

R 1549 (B,52,63)  
R 1550 (A,45,69)  
R 1551 (A,44,69)  
R 1552 (A,26,50) (A,B)  
R 1602 (A,42,38) (A,B,C,D,E)

RS1/16SS0R0J  
RS1/16SS0R0J  
RS1/16SS0R0J  
RS1/16SS0R0J  
RS1/16SS0R0J

<u>Circuit Symbol and No.</u>		<u>Part No.</u>	<u>Circuit Symbol and No.</u>		<u>Part No.</u>
R 1603	(A,44,49) (A,B,C,D,E)	RS1/16SS0R0J	R 1838	(B,143,27) (G)	RS1/16SS0R0J
R 1604	(A,35,38) (A,B,C,D,E)	RS1/16SS103J	R 1839	(B,142,25) (G)	RS1/16SS0R0J
R 1606	(A,33,40) (A,B,C,D,E)	RS1/16SS103J	R 1901	(A,131,41)	RS1/16SS303J
R 1608	(A,32,39) (A,B,C,D,E)	RS1/16SS472J	R 1904	(B,133,36)	RS1/16SS471J
R 1609	(A,31,40) (A,B,C,D,E)	RS1/16SS472J	R 1905	(B,131,38)	RS1/16SS681J
R 1610	(A,34,41) (A,B,C,D,E)	RS1/16SS101J	R 1906	(B,127,44)	RS1/10SR103J
R 1611	(A,33,42) (A,B,C,D,E)	RS1/16SS101J	R 2105	(A,154,106)	RS1/10SR102J
R 1612	(A,30,40) (A,B,C,D,E)	RS1/16SS0R0J	R 2107	(B,149,111)	RS1/16SS103J
R 1613	(A,40,41) (A,B,C,D,E)	RS1/16SS0R0J	R 2110	(A,164,107)	RS1/16SS0R0J
R 1615	(A,32,41) (A,B,C,D,E)	RS1/16SS0R0J	R 2111	(A,163,106)	RS1/16SS0R0J
R 1616	(A,32,43) (A,B,C,D,E)	RS1/16SS0R0J	R 2112	(A,164,104)	RS1/16SS0R0J
R 1617	(A,37,30) (A,B,C,D,E)	RS1/8SQ0R0J	R 2113	(A,163,102)	RS1/16SS0R0J
R 1701	(B,25,92) (C,D,E)	RS1/16SS103J	R 2201	(A,79,81)	RS1/16SS820J
R 1702	(B,27,84) (C,D,E)	RS1/4SA471J	R 2202	(A,85,83)	RS1/16SS820J
R 1703	(B,28,81) (C,D,E)	RS1/4SA471J	R 2203	(A,80,87)	RS1/16SS820J
R 1704	(B,26,82) (C,D,E)	RS1/16SS1003D	R 2204	(A,84,87)	RS1/16SS820J
R 1705	(B,24,82) (C,D,E)	RS1/16SS1802D	R 2205	(A,76,82)	RS1/16SS223J
R 1706	(A,25,79) (C,D,E)	RS1/16SS221J	R 2206	(A,85,82)	RS1/16SS223J
R 1709	(A,25,54) (A,B)	RAB4CQ221J	R 2207	(A,80,86)	RS1/16SS223J
R 1715	(A,25,40) (A,B)	RAB4CQ0R0J	R 2208	(A,83,86)	RS1/16SS223J
R 1716	(B,25,82) (C,D,E)	RS1/16SS0R0J	R 2209	(A,79,83)	RS1/16SS472J
R 1717	(B,35,81) (C,D,E)	RS1/16SS911J	R 2210	(A,77,83)	RS1/16SS472J
R 1724	(A,13,83)	RS1/10SR0R0J	R 2211	(A,83,84)	RS1/16SS472J
R 1725	(A,15,83)	RS1/10SR0R0J	R 2212	(A,82,84)	RS1/16SS472J
R 1729	(A,26,24) (A,B)	RAB4CQ0R0J	R 2213	(B,170,105)	RS1/16SS821J
R 1730	(A,27,26) (A,B,F,G)	RS1/16SS103J	R 2214	(B,172,101)	RS1/16SS472J
R 1732	(A,46,113)	RS1/10SR0R0J	R 2215	(B,170,106)	RS1/16SS223J
R 1733	(A,45,113)	RS1/10SR0R0J	R 2216	(B,172,102)	RS1/16SS472J
R 1734	(A,18,24)	RS1/10SR0R0J	R 2217	(B,173,106)	RS1/16SS223J
R 1735	(A,20,24)	RS1/10SR0R0J	R 2218	(B,175,107)	RS1/16SS821J
R 1736	(B,39,65)	RS1/10SR0R0J	R 2225	(B,26,108)	RS1/10SR0R0J
R 1737	(B,40,64)	RS1/10SR0R0J	R 2226	(B,32,109)	RS1/10SR0R0J
R 1746	(B,22,13)	RS1/10SR0R0J	R 2227	(B,33,129)	RS1/16SS0R0J
R 1747	(B,24,13)	RS1/10SR0R0J	R 2228	(B,35,129)	RS1/16SS0R0J
R 1760	(B,60,31)	RS1/10SR0R0J	R 2229	(B,29,130)	RS1/16SS0R0J
R 1761	(B,62,31)	RS1/10SR0R0J	R 2230	(B,46,117)	RS1/10SR0R0J
R 1765	(A,25,76) (C,D,E)	RS1/16SS221J	R 2231	(B,42,117)	RS1/10SR0R0J
R 1766	(A,25,77) (C,D,E)	RS1/16SS221J	R 2232	(B,129,90)	RS1/16SS820J
R 1767	(A,25,78) (C,D,E)	RS1/16SS221J	R 2233	(B,134,95)	RS1/16SS820J
R 1801	(B,155,22)	RS1/16SS102J	R 2234	(B,131,91)	RS1/16SS223J
R 1802	(A,153,12)	RS1/16SS0R0J	R 2235	(B,131,95)	RS1/16SS223J
R 1803	(A,151,12)	RS1/16SS0R0J	R 2236	(B,134,93)	RS1/16SS472J
R 1804	(A,149,12)	RS1/16SS0R0J	R 2237	(B,128,96)	RS1/16SS472J
R 1805	(B,159,13)	RS1/16SS471J	R 2265	(A,111,89)	RS1/4SA0R0J
R 1806	(A,159,13)	RS1/16SS221J	R 2266	(A,94,96)	RS1/4SA0R0J
R 1807	(A,158,12)	RS1/16SS221J	R 2304	(B,150,122) (A,C,E)	RS1/16SS0R0J
R 1808	(A,157,15)	RS1/16SS221J	R 2305	(B,152,122) (B,D,F,G)	RS1/16SS0R0J
R 1809	(B,155,10)	RS1/16SS221J	R 2308	(B,120,132) (A,B)	RS1/16SS0R0J
R 1810	(A,155,12)	RS1/16SS221J	R 2309	(B,121,132) (C,D)	RS1/16SS471J
R 1811	(A,147,12)	RS1/16SS0R0J	R 2310	(B,122,132) (E)	RS1/16SS0R0J
R 1814	(B,163,18)	RS1/10SR0R0J	R 2316	(B,128,132) (G)	RS1/16SS0R0J
R 1815	(A,165,20)	RS1/4SA0R0J	R 2317	(B,129,132) (F)	RS1/16SS471J
R 1816	(B,144,14)	RS1/16SS0R0J	R 2320	(A,105,28) (G)	RS1/16SS0R0J
R 1822	(B,155,18)	RS1/16SS473J	R 2321	(A,75,40) (G)	RS1/16SS104J
R 1823	(B,157,15)	RS1/8SQ561J	R 2333	(B,86,27) (F,G)	RS1/16SS6800D
R 1826	(B,139,16)	RS1/16SS0R0J	R 2335	(B,94,38) (F,G)	RS1/16SS6800D
R 1827	(A,156,22)	RS1/10SR103J	R 2336	(A,105,37) (F,G)	RS1/16SS0R0J
R 1828	(A,151,18)	RS1/16SS683J	R 2338	(B,95,38) (F,G)	RS1/16SS8201D
R 1829	(A,151,20)	RS1/16SS683J	R 2339	(A,114,32) (F,G)	RS1/16SS8201D

**Circuit Symbol and No.****Part No.****Circuit Symbol and No.****Part No.**

R 2341 (B,99,38)  
 R 2342 (B,100,38)  
 R 2343 (B,101,37)  
 R 2344 (B,106,45)  
 R 2347 (A,81,20)

RS1/16SS101J  
 RS1/16SS101J  
 RS1/16SS101J  
 RS1/16SS101J  
 RS1/16SS101J

C 510 (B,42,51)  
 C 511 (B,51,51)  
 C 513 (B,43,46) (A,B,C,D,E)  
 C 514 (B,43,38) (A,B,C,D,E)  
 C 516 (B,31,55) (A,B,C,D,E)  
 C 602 (B,116,22)  
 C 603 (A,106,31)

CKSRYB105K10  
 CKSRYB105K10  
 CKSRYB105K10  
 CKSRYB105K10  
 CKSSYB104K16  
 CKSRYB105K10  
 CCSRCH220J50

**CAPACITORS**

C 101 (B,129,87)  
 C 104 (A,119,89) 15 000 uF/16 V  
 C 106 (B,66,110)  
 C 108 (B,52,109)  
 C 110 (B,103,119)

CKSRYB104K50  
 CCH1980  
 CKSRYB105K10  
 CKSSYB102K50  
 CKSSYB104K16

C 604 (A,105,30)  
 C 605 (A,106,44)  
 C 606 (A,105,25)  
 C 607 (B,103,29)  
 C 608 (B,98,32) 4.7 uF

CCSSCH220J50  
 CKSSYB104K10  
 CKSSYB104K10  
 CKSSYB104K10  
 CKSSYB104K10  
 CCG1331

C 113 (A,59,108)  
 C 114 (A,63,104)  
 C 115 (A,59,112)  
 C 116 (A,59,113)  
 C 117 (A,56,115)

CKSSYB104K10  
 CKSSYB102K50  
 CKSSYB104K16  
 CKSSYB123K16  
 CKSRYB823K16

C 611 (B,87,25)  
 C 612 (A,88,50)  
 C 613 (A,75,29)  
 C 615 (A,105,52)  
 C 616 (A,105,54) 10 uF

CKSSYB104K10  
 CKSSYB104K10  
 CKSSYB104K10  
 CKSSYB104K10  
 CCG1192

C 201 (B,95,122)  
 C 202 (B,93,122)  
 C 203 (B,101,122)  
 C 204 (B,90,123)  
 C 205 (A,104,125) 4.7 uF

CKSQYB105K25  
 CKSQYB105K25  
 CKSQYB105K25  
 CKSQYB105K25  
 CCG1331

C 618 (B,103,41)  
 C 620 (A,70,42)  
 C 625 (B,117,13)  
 C 633 (B,94,29)  
 C 639 (B,94,28)

CCSSCH101J50  
 CKSSYB104K10  
 CKSSYB102K50  
 CKSSYB104K10  
 CKSSYB104K10

C 206 (A,92,122)  
 C 207 (B,119,127)  
 C 212 (B,82,113) 4.7 uF  
 C 216 (A,103,111) 4 700 uF/16 V  
 C 217 (A,69,112)

XCEVW100M16  
 CKSRYB104K16  
 CCG1201  
 CCH2085  
 XCEVW101M16

C 801 (B,81,58)  
 C 802 (B,80,55)  
 C 803 (A,71,67)  
 C 804 (B,70,70)  
 C 805 (B,71,70)

CKSSYB104K10  
 CKSSYB104K10  
 CKSRYB105K10  
 CKSRYB105K10  
 CKSRYB105K10

C 218 (A,110,125)  
 C 219 (B,89,115) 10 uF  
 C 220 (A,90,126) 0.1 uF  
 C 312 (A,171,85)  
 C 313 (B,169,90)

CKSRYB104K50  
 CCG1192  
 CCG1357  
 XCEVW101M16  
 CKSRYB105K16

C 806 (B,73,70)  
 C 807 (B,77,53) (C,D,E,F,G)  
 C 810 (A,72,66)  
 C 811 (B,70,67)

CKSRYB105K10  
 CCSSCH271J50  
 CKSSYB104K10  
 CKSRYB105K10

C 314 (B,161,36)  
 C 317 (B,145,61)  
 C 318 (B,150,56)  
 C 320 (A,150,56)  
 C 321 (A,154,29)

CKSSYB104K10  
 CKSQYB104K25  
 CKSQYB104K25  
 XCEVW101M16  
 CKSSYB102K50

C 812 (B,80,68)  
 C 813 (B,66,71)  
 C 814 (B,81,66)  
 C 815 (B,67,70)  
 C 816 (B,81,65)

CKSSYB104K10  
 CKSRYB105K10  
 CKSSYB104K10  
 CKSRYB105K10  
 CKSSYB104K10

C 322 (A,137,43)  
 C 323 (A,143,40)  
 C 324 (A,152,32)  
 C 327 (A,149,45)  
 C 328 (A,152,48) 0.1 uF

CKSRYB105K10  
 XCEVW101M16  
 CKSSYB104K10  
 CKSSYB104K16  
 CCG1266

C 817 (B,66,67)  
 C 818 (B,81,64)  
 C 819 (B,66,66)  
 C 820 (B,81,63)  
 C 821 (B,66,64)

CKSQYB105K16  
 CKSSYB104K10  
 CKSQYB105K16  
 CKSSYB104K10  
 CKSQYB105K16

C 329 (A,155,45)  
 C 335 (B,164,43)  
 C 336 (B,171,46) 10 uF  
 C 337 (B,167,54) 10 uF  
 C 339 (B,171,48) 10 uF

CKSSYB102K50  
 CCSSCH101J50  
 CCG1236  
 CCG1236  
 CCG1236

C 822 (B,82,62)  
 C 823 (B,67,62)  
 C 824 (B,82,61)  
 C 825 (B,67,61)  
 C 826 (B,82,60)

CKSSYB104K10  
 CKSRYB105K10  
 CKSSYB104K10  
 CKSRYB105K10  
 CKSSYB104K10

C 342 (B,156,42)  
 C 343 (B,154,51)  
 C 344 (B,147,61)  
 C 345 (B,152,56)  
 C 347 (B,127,35)

CKSSYB104K16  
 CKSRYB104K50  
 CKSRYB105K10  
 CKSRYB105K10  
 CKSSYB104K10

C 827 (B,67,59)  
 C 828 (B,82,59)  
 C 829 (B,67,58)  
 C 830 (B,67,57)  
 C 831 (B,68,55)

CKSRYB105K10  
 CKSSYB104K10  
 CKSRYB105K10  
 CKSRYB105K10  
 CKSRYB105K10

C 349 (A,152,40)  
 C 502 (B,30,46) (A,B,C,D,E)  
 C 503 (B,29,57) 4.7 uF(A,B,C,D,E)  
 C 504 (B,31,47) (A,B,C,D,E)  
 C 505 (B,38,57) 4.7 uF(A,B,C,D,E)

XCEVW470M16  
 CKSRYB105K10  
 CCG1201  
 CKSRYB105K10  
 CCG1201

C 832 (B,79,57)  
 C 833 (A,76,58) 10 uF  
 C 834 (B,74,54)  
 C 835 (A,76,56)  
 C 836 (A,73,61)

CKSSYB104K10  
 CCG1192  
 CKSSYB104K10  
 CKSSYB104K10  
 CKSQYB104K25

C 506 (A,33,82) (C,D,E)  
 C 507 (A,26,82) (C,D,E)  
 C 508 (A,28,86) (C,D,E)

CKSRYB105K10  
 CKSSYB104K16  
 CKSRYB105K10

C 837 (A,78,61)  
 C 838 (A,73,58) 10 uF  
 C 839 (A,78,60) 10 uF

CKSQYB104K25  
 CCG1192  
 CCG1192

<u>Circuit Symbol and No.</u>		<u>Part No.</u>	<u>Circuit Symbol and No.</u>		<u>Part No.</u>
C 840	(B,78,68)	CKSSYB104K10	C 1104	(B,130,59)	CKSSYB123K16
C 841	(B,74,70)	CKSRYB105K10	C 1105	(A,132,59)	CKSSYB104K16
			C 1106	(A,130,59)	CKSQYB225K10
C 842	(B,75,70)	CKSRYB105K10			
C 843	(B,77,70)	CKSRYB105K10	C 1107	(B,130,50)	CKSRYB105K16
C 901	(A,47,27)	CKSRYB105K10	C 1108	(A,138,56)	CKSQYB104K25
C 902	(B,43,27)	CKSRYB105K10	C 1109	(A,135,53)	CKSQYB104K25
C 903	(B,40,28)	CKSRYB105K10	C 1110	(A,133,55)	CKSQYB104K25
			C 1111	(B,141,56)	CKSSYB103K16
C 904	(B,43,28)	CKSRYB105K10			
C 905	(B,40,29) (A,B,C,E)	CKSRYB105K10	C 1112	(A,131,57)	CKSQYB104K25
C 906	(B,43,30) (A,B,C,E)	CKSRYB105K10	C 1113	(A,136,59)	CKSQYB104K25
C 907	(B,40,31) (A,B,C,E)	CKSRYB105K10	C 1114	(B,127,58) 10 uF	CCG1192
C 908	(A,48,27)	CKSSYB104K10	C 1115	(A,129,57) 10 uF	CCG1192
			C 1116	(A,142,53) 10 uF	CCG1192
C 909	(B,47,21)	CKSRYB105K10			
C 910	(B,48,18)	CKSRYB105K10	C 1117	(B,127,56) 10 uF	CCG1192
C 911	(B,49,21)	CKSRYB105K10	C 1118	(B,128,64) 10 uF	CCG1192
C 912	(B,50,18) (A,B,G)	CKSRYB105K10	C 1119	(B,126,64) 10 uF	CCG1192
C 913	(B,50,21) (A,B,G)	CKSRYB105K10	C 1120	(A,140,53)	CKSQYB104K25
			C 1123	(B,139,60)	CCSSCH121J50
C 914	(B,51,18) (A,B,G)	CKSRYB105K10			
C 915	(A,56,32) 10 uF	CCG1192	C 1125	(B,140,61)	CCSSCH121J50
C 916	(B,57,31)	CKSSYB104K10	C 1126	(B,140,63)	CCSSCH121J50
C 917	(A,55,31)	CKSSYB104K10	C 1201	(A,123,46)	CKSSYB104K16
C 918	(A,53,27)	CKSQYB104K25	C 1202	(A,124,46) 10 uF	CCG1192
			C 1205	(B,116,49) 10 uF	CCG1192
C 919	(A,53,30)	CKSQYB104K25			
C 920	(A,51,27) 10 uF	CCG1192	C 1207	(B,141,49)	CCSSCH470J50
C 921	(A,51,30) 10 uF	CCG1192	C 1208	(B,146,52)	CCSSCH121J50
C 927	(B,54,18)	CKSRYB105K10	C 1209	(B,144,53)	CCSSCH121J50
C 928	(B,55,21)	CKSRYB105K10	C 1210	(A,121,57)	CKSSYB104K16
			C 1211	(A,123,57) 10 uF	CCG1192
C 939	(B,52,21)	CKSRYB105K10			
C 940	(B,53,18)	CKSRYB105K10	C 1216	(A,120,66)	CKSSYB104K16
C 941	(B,53,21)	CKSRYB105K10	C 1217	(A,121,67) 10 uF	CCG1192
C 1003	(B,152,68)	CKSQYB105K16	C 1222	(B,119,46)	CKSRYB182K50
C 1004	(B,150,68)	CKSQYB105K16	C 1223	(B,121,49)	CKSRYB182K50
			C 1224	(B,109,58)	CKSRYB182K50
C 1005	(B,147,68)	CKSQYB105K16			
C 1006	(B,145,68)	CKSQYB105K16	C 1225	(B,113,55)	CKSRYB182K50
C 1007	(B,149,106)	CKSQYB105K16	C 1227	(B,117,68)	CKSRYB182K50
C 1008	(B,151,106)	CKSQYB105K16	C 1229	(A,115,49)	CKSSYB104K16
C 1009	(B,153,106)	CKSQYB105K16	C 1230	(A,111,57) 10 uF	CCG1192
			C 1231	(A,112,59)	CKSSYB104K16
C 1010	(B,155,106)	CKSQYB105K16			
C 1011	(B,145,72)	CCSSCH330J50	C 1232	(A,110,65) 10 uF	CCG1192
C 1012	(B,154,102)	CCSSCH330J50	C 1233	(A,114,69)	CKSSYB104K16
C 1013	(B,152,72)	CCSSCH330J50	C 1301	(B,86,90) 2.2 uF	CCG1218
C 1014	(B,150,102)	CCSSCH330J50	C 1302	(B,86,88) 2.2 uF	CCG1218
			C 1303	(B,93,82) 10 uF	CCG1192
C 1015	(B,144,75)	CCSSCH330J50			
C 1016	(B,157,99)	CCSSCH330J50	C 1304	(B,87,81) 10 uF	CCG1192
C 1017	(B,153,75)	CCSSCH330J50	C 1305	(B,85,93)	CKSRYB105K10
C 1018	(B,147,99)	CCSSCH330J50	C 1306	(B,86,91)	CKSRYB105K10
C 1019	(B,145,78)	CKSRYB105K16	C 1307	(B,73,93)	CKSRYB105K10
			C 1308	(B,73,92)	CKSRYB105K10
C 1020	(B,155,96)	CKSRYB105K16			
C 1021	(B,145,77)	CKSSYB104K16	C 1314	(A,73,99)	XCEVW100M16
C 1022	(B,155,98)	CKSSYB104K16	C 1315	(B,73,90) 2.2 uF	CCG1218
C 1028	(B,151,90)	CKSSYB104K16	C 1317	(A,73,92)	XCEVW100M16
C 1039	(B,156,90) 10 uF	CCG1234	C 1319	(B,89,81)	CKSQYB104K25
			C 1321	(B,85,81)	CKSQYB104K25
C 1040	(B,150,81) 10 uF	CCG1192			
C 1041	(B,158,92) 10 uF	CCG1192	C 1322	(A,85,76)	XCEVW470M16
C 1042	(B,157,94)	CKSRYB105K10	C 1323	(A,74,77)	XCEVW470M16
C 1043	(B,149,90)	CKSRYB105K10	C 1410	(A,55,92) (A,B,C,D,E)	CKSSYB103K16
C 1101	(B,134,62)	CCSSCH120J50	C 1412	(A,50,87) (A,B,C,D,E)	CCSSCH270J50
			C 1413	(A,41,88) (A,B,C,D,E)	CKSSYB103K16
C 1102	(B,138,63)	CCSSCH120J50			
C 1103	(B,129,50)	CKSRYB105K16	C 1424	(B,42,93) (A,B,C,D,E)	CKSSYB103K16

**Circuit Symbol and No.****Part No.****Circuit Symbol and No.****Part No.**

C 1428 (B,55,84) (A,B,C,D,E) CKSRYB105K16  
 C 1430 (B,57,84) (A,B,C,D,E) CKSSYB222K50  
 C 1431 (B,61,85) (A,B,C,D,E) CCSSCH220J50  
 C 1432 (B,61,92) (A,B,C,D,E) CKSSYB102K50

C 2204 (A,86,88) 10 uF CCG1192  
 C 2205 (B,163,127) CCSSCH101J50  
 C 2208 (B,26,110) CKSRYB104K50  
 C 2209 (B,30,110) CKSRYB104K50  
 C 2210 (B,128,94) 10 uF CCG1192  
 C 2211 (B,136,93) 10 uF CCG1192  
 C 2217 (A,109,76) CKSRYB104K50  
 C 2220 (B,170,103) 4.7 uF CCG1201

C 1435 (B,59,86) (A,B,C,D,E) CKSSYB103K25  
 C 1443 (B,46,87) (A,B,C,D,E) CKSSYB472K25  
 C 1444 (B,44,92) (A,B,C,D,E) CKSSYB391K50  
 C 1445 (B,55,91) (A,B,C,D,E) CCSSCH220J50  
 C 1447 (B,32,103) (A,B,C,D,E) CCSSCH150J50  
 (B,32,103) (F,G) CKSSYB103K16

C 2221 (B,175,104) 4.7 uF CCG1201  
 C 2225 (B,24,113) CCSSCH270J50  
 C 2226 (B,31,132) CCSSCH270J50  
 C 2227 (B,113,79) CCSSCH270J50  
 C 2228 (A,108,75) CCSSCH270J50

C 1501 (A,54,54) CKSSYB104K16  
 C 1502 (A,54,56) CKSSYB104K16  
 C 1503 (A,56,55) 10 uF CCG1192  
 C 1504 (A,46,55) 10 uF CCG1192  
 C 1505 (A,48,67) CKSSYB104K16

C 2231 (B,170,107) CCSRCH101J50  
 C 2232 (B,173,107) CCSRCH101J50  
 C 2233 (A,172,103) CCSRCH121J50

C 1507 (A,47,68) CKSSYB224K6R3  
 C 1508 (A,47,69) CKSSYB102K50  
 C 1509 (A,42,67) CKSSYB104K16  
 C 1511 (A,47,79) CCSSCH220J50  
 C 1512 (A,42,79) CCSSCH271J50

C 1515 (A,45,60) CKSSYB104K16  
 C 1518 (A,37,70) CCSSCH102J50  
 C 1519 (B,28,101) CCSSCH471J50  
 C 1523 (A,40,65) CKSSYB152K50  
 C 1533 (A,41,83) (A,B,C,D,E) CCSSCH220J50  
 (A,41,83) (F,G) CCSSCH100D50

C 1601 (A,36,32) (A,B,C,D,E) CKSSYB104K16  
 C 1602 (A,36,34) (A,B,C,D,E) CKSSYB104K16  
 C 1603 (A,38,33) 10 uF(A,B,C,D,E) CCG1192  
 C 1604 (A,30,37) 10 uF(A,B,C,D,E) CCG1192

C 1605 (A,41,41) (A,B,C,D,E) CKSSYB104K16  
 C 1607 (A,42,43) (A,B,C,D,E) CKSSYB224K6R3  
 C 1608 (A,43,43) (A,B,C,D,E) CKSSYB102K50  
 C 1609 (A,41,47) (A,B,C,D,E) CKSSYB104K16  
 C 1611 (A,53,43) (A,B,C,D,E) CCSSCH220J50  
 C 1612 (A,53,48) (A,B,C,D,E) CCSSCH820J50

C 1613 (A,34,45) (A,B,C,D,E) CKSSYB104K16  
 C 1617 (A,57,47) (A,B,C,D,E) CCSSCH100D50  
 C 1703 (A,25,86) (C,D,E) CKSSYB104K10  
 C 1705 (A,26,57) 10 uF(A,B,C,D,E) CCG1192  
 C 1706 (A,25,57) (A,B,C,D,E) CKSSYB104K10

C 1707 (A,26,46) 10 uF(A,B,C,D,E) CCG1192  
 C 1708 (A,25,46) (A,B,C,D,E) CKSSYB104K10  
 C 1710 (B,35,80) (C,D,E) CKSSYB104K16  
 C 1711 (B,20,16) (A,B,C,D,E) CKSSYB104K16  
 C 1801 (B,162,13) CKSSYB104K10  
 C 1804 (B,166,16) CKSSYB104K16  
 C 1805 (A,166,13) CKSSYB104K16

C 1806 (B,157,10) CCSSCH101J50  
 C 1813 (B,158,11) CCSSCH101J50  
 C 1814 (B,162,8) CCSSCH270J50  
 C 1815 (B,145,11) CCSSCH270J50  
 C 1824 (B,91,83) CKSQYB104K25

C 1901 (B,131,41) CKSSYB104K10  
 C 2101 (B,157,109) CCSRCH101J50  
 C 2102 (B,156,111) CCSRCH101J50  
 C 2103 (B,159,113) CCSRCH101J50  
 C 2201 (A,76,88) 10 uF CCG1192

C 2202 (A,85,84) 10 uF CCG1192  
 C 2203 (A,81,88) 10 uF CCG1192

**B**  
**Unit Number:CXX7576(A)**  
**Unit Number:CXX7578(B)**  
**Unit Number:CXX7575(C)**  
**Unit Number:CXX7580(D)**  
**Unit Number:CXX7577(E)**  
**Unit Number:CXX7579(F)**  
**Unit Number:CXX7581(G)**  
**Unit Name:IF Unit (Service)**

**MISCELLANEOUS**

IC 7003 (A,84,105) IC NJM2387ADL3  
 IC 7004 (A,17,35) Regulator IC MM3479A18P  
 IC 7008 (A,122,48) Regulator IC(A,B,C,E) MM3479A12P  
 IC 7009 (B,144,75) Regulator IC MM3479A33P  
 IC 7010 (A,87,45) Regulator IC MM3411A15N

IC 7011 (B,31,79) IC AN33012UA  
 IC 7101 (B,56,71) DC/DC Converter IC LTC3858EGN  
 IC 7202 (A,101,108) DC/DC Converter IC AN33014UA  
 IC 7203 (A,95,87) DC/DC Converter IC AN33014UA  
 IC 7601 (B,166,30) CONV IC WM8761BGED

IC 7602 (B,145,26) CONV IC WM8761BGED  
 IC 7603 (B,143,54) CONV IC WM8761BGED  
 IC 7701 (B,47,38) Dual OP-AMP NJM4565V  
 IC 7703 (B,147,65) AD Convtr IC AK5357VT  
 IC 7704 (A,26,35) IC TC4066BFT

IC 7705 (A,11,106) Op-amp IC NJU7043V  
 IC 7706 (A,49,41) Interface IC ML7247-001TBZ0  
 IC 7709 (B,47,33) Op-amp IC NJU7043V  
 IC 7851 (A,70,9) Connector(G) NJM2235V  
 IC 7901 (B,68,43) V AMP IC BH7673G  
 IC 7902 (B,71,43) V AMP IC BH7673G

IC 7903 (A,70,44) V AMP IC BH7673G  
 IC 7904 (A,66,45) V AMP IC BH7673G  
 IC 7905 (A,85,62) V PRO SYS LSI ML86V7675TBZA3A  
 IC 7906 (A,99,59) IC TC74LCX541FK  
 IC 7907 (A,98,67) Buffer Logic IC TC7SZ125FUS1

IC 7908 (B,78,88) V AMP IC BH7673G  
 IC 7911 (B,74,81) V AMP IC BH7673G  
 IC 7912 (B,73,69) V AMP IC BH7673G  
 IC 8001 (B,118,65) Interface IC(A,B,C,E) MN864779KT

<u>Circuit Symbol and No.</u>		<u>Part No.</u>	<u>Circuit Symbol and No.</u>		<u>Part No.</u>
IC 8003	(A,129,67) CONV IC(A,B,C,E)	WM8761BGED	D 8007	(B,129,99) Diode(A,B,C,E)	EZAEG2A50AX
			D 8008	(B,127,99) Diode(A,B,C,E)	EZAEG2A50AX
IC 8103	(A,151,78) IC	NJM2115V			
IC 8202	(B,53,25) Logic IC(A,B)	TC7WZ34FK	D 8011	(B,121,99) Diode(A,B,C,E)	EZAEG2A50AX
IC 8501	(A,18,90) IC(A,B,C,D,E)	TC7SH08FUS1	D 8012	(B,119,101) Diode(A,B,C,E)	EZAEG2A50AX
IC 8502	(B,144,93) Interface IC	MAX14644ETA	D 8013	(A,118,77) Rectifier Diode(A,B,C,E)	DA2J101
IC 8504	(A,12,90) L-MOS And Gate(A,B,C,D,E)	TC7SET08FUS1	D 8014	(B,126,102) Diode(A,B,C,E)	EZAEG2A50AX
			D 8015	(A,127,79) Rectifier Diode(A,B,C,E)	DAN202UM
IC 8505	(A,46,109) L-MOS And Gate(A,B)	TC7SET08FUS1			
IC 8506	(A,38,110) IC(A,B)	TC7SH08FUS1	D 8016	(B,124,103) Diode(A,B,C,E)	EZAEG2A50AX
IC 8507	(A,42,110) L-MOS And Gate(A,B)	TC7SET08FUS1	D 8501	(A,14,87) Rectifier Diode(A,B,C,D,E)	DA2J101
IC 8601	(A,25,9) Dual OP-AMP	NJM4565V	D 8506	(B,147,101) Diode	EZAEG2A50AX
Q 7002	(A,74,102) Resistor Built-IN TR	LTC014EEB	D 8507	(B,145,105) Diode	EZAEG2A50AX
			D 8508	(B,147,102) Diode	EZAEG2A50AX
Q 7011	(A,111,47) IC	RZQ050P01			
Q 7012	(A,117,48) Bipolar Transistor	LSCR523UB	D 8509	(B,145,103) Diode	EZAEG2A50AX
Q 7013	(A,26,67) Power MOS FET	ATP112-H	D 8601	(A,49,14) Diode	DZ2S068C
Q 7014	(A,16,75) Chip Transistor	2SB1689	D 8602	(A,36,10) Diode	DZ2S068C
Q 7015	(A,12,78) Bipolar Transistor	LSCR523UB	L 7003	(A,35,63) SMD Inductor	CTH1544
			L 7101	(A,54,61) Inductor	CTH1482
Q 7016	(A,67,85) IC	RZQ050P01			
Q 7017	(A,71,89) Bipolar Transistor	LSCR523UB	L 7102	(A,54,82) Choke Coil 3.6 uH	CTH1479
Q 7101	(A,46,79) FET	FK8V03040	L 7103	(B,38,76) Inductor	CTF1738
Q 7102	(A,46,63) FET	FK8V03040	L 7201	(B,113,110) SMD Inductor	CTH1524
Q 7103	(A,42,79) FET	FK8V03050	L 7202	(B,107,90) SMD Inductor	CTH1524
			L 7203	(B,106,113) Inductor	CTF1793
Q 7104	(A,42,63) FET	FK8V03050			
Q 7201	(A,144,71) Resistor Built-IN TR	LTC014EEB	L 7204	(B,100,93) Inductor	CTF1793
Q 7202	(A,149,69) Bipolar Transistor	LSAR523UB	L 7301	(B,87,44) Chip Ferrite Bead	BTX1046
Q 7203	(A,145,73) Resistor Built-IN TR	LTC014EEB	L 7302	(B,92,45) Chip Ferrite Bead	VTL1183
Q 7204	(A,150,72) Bipolar Transistor	LSAR523UB	L 7303	(B,147,34) Inductor(A,B,G)	CTF1795
			L 7304	(B,150,33) Inductor(A,B,G)	CTF1795
Q 7703	(B,31,37) Bipolar Transistor	LSCR523UB			
Q 7704	(A,34,31) Resistor Built-IN TR	LTC044EEB	L 7305	(B,153,30) Inductor	CTF1795
Q 7705	(A,32,34) Resistor Built-IN TR	LTC044EEB	L 7306	(B,155,31) Inductor	CTF1795
Q 7851	(A,79,95) Bipolar Transistor(G)	LSCR523UB	L 7307	(B,157,32) Inductor	CTF1795
Q 7852	(A,59,11) Bipolar Transistor(G)	LSCR523UB	L 7308	(B,154,32) Inductor	CTF1795
Q 7901	(B,68,49) Bipolar Transistor	LSCR523UB	L 7309	(B,143,44) Inductor	CTF1795
Q 7902	(B,71,49) Bipolar Transistor	LSCR523UB	L 7310	(B,99,44) Inductor	CTF1795
Q 7903	(A,69,50) Bipolar Transistor	LSCR523UB	L 7311	(B,100,46) Inductor	CTF1795
Q 7904	(A,65,51) Bipolar Transistor	LSCR523UB	L 7312	(B,100,48) Inductor	CTF1795
Q 7905	(B,64,54) Bipolar Transistor	LSCR523UB	L 7313	(B,101,44) Inductor	CTF1795
Q 7906	(A,77,73) Bipolar Transistor	LSCR523UB	L 7314	(B,101,46) Inductor	CTF1795
Q 7907	(B,78,78) Bipolar Transistor	LSCR523UB			
			L 7315	(B,102,48) Inductor	CTF1795
Q 7908	(B,72,65) Bipolar Transistor	LSCR523UB	L 7501	(A,106,40) Inductor	CTF1736
Q 8001	(A,124,92) Resistor Built-IN TR(A,B,C,E)	LTC023EEB	L 7502	(A,156,50) Inductor	CTF1736
Q 8002	(A,122,96) Bipolar Transistor(A,B,C,E)	LSAR523UB	L 7601	(B,170,21) Inductor	CTF1786
Q 8003	(A,122,74) Chip Transistor(A,B,C,E)	RN4982	L 7602	(B,140,20) Inductor	CTF1786
Q 8101	(A,152,85) Transistor	2SAR293PGZE			
			L 7603	(B,152,50) Inductor	CTF1786
Q 8501	(A,143,98) Bipolar Transistor	LSAR523UB	L 7704	(B,157,65) Inductor	CTF1558
Q 8601	(A,32,13) Chip Transistor	RN4983	L 7705	(B,153,61) Inductor	CTF1558
D 7006	(A,31,72) Diode	RB080L-30	L 7706	(B,50,43) Ferrite Bead	CTF1528
			L 7707	(B,32,26) Chip Ferrite Bead	BTX1047
D 7101	(B,49,67) Schottky Diode	DB2J41100			
D 7102	(B,49,66) Schottky Diode	DB2J41100	L 7902	(A,73,65) Chip Ferrite Bead	BTX1047
D 7201	(B,102,112) Diode	RB060M-30	L 7903	(A,84,75) Chip Ferrite Bead	BTX1047
D 7202	(B,96,92) Diode	RB060M-30	L 7904	(A,90,48) Chip Ferrite Bead	BTX1047
D 7501	(B,132,29) Schottky Diode	RB501VM-40	L 7905	(A,83,42) Chip Ferrite Bead	BTX1047
			L 7906	(A,102,69) Chip Ferrite Bead	BTX1047
D 7502	(A,132,26) Schottky Diode	RB501VM-40			
D 7512	(B,93,27) Diode	DZ2J039M0	L 7907	(A,101,64) Chip Ferrite Bead	BTX1047
D 8001	(B,136,101) Diode(A,B,C,E)	EZAEG2A50AX	L 7909	(A,101,66) Chip Beads	VTL1126
D 8002	(B,134,101) Diode(A,B,C,E)	EZAEG2A50AX	L 7915	(A,90,52) Inductor	CTF1787
D 8003	(B,133,99) Diode(A,B,C,E)	EZAEG2A50AX	L 7916	(A,87,52) Inductor	CTF1787
			L 7917	(A,95,65) Inductor	CTF1787
D 8004	(B,132,99) Diode(A,B,C,E)	EZAEG2A50AX			
D 8005	(B,131,101) Diode(A,B,C,E)	EZAEG2A50AX	L 7918	(A,95,63) Inductor	CTF1787
D 8006	(B,129,101) Diode(A,B,C,E)	EZAEG2A50AX	L 7919	(A,85,53) Inductor	CTF1787

**Circuit Symbol and No.****Part No.****Circuit Symbol and No.****Part No.**

L 7920	(A,84,53)	Inductor	CTF1787
L 7921	(A,81,52)	Inductor	CTF1787
L 7922	(A,85,72)	Inductor	CTF1787
L 7923	(A,87,71)	Inductor	CTF1787
L 7930	(A,107,61)	Chip Beads	VTL1127
L 7931	(A,105,60)	Chip Beads	VTL1127
L 7932	(A,107,60)	Chip Beads	VTL1127
L 7933	(A,105,59)	Chip Beads	VTL1127

JA8001	(B,129,110)	Connector(A,B,C,E)	CKS6560
JA8102	(B,168,124)	Connector	CKS5702
JA8501	(B,151,116)	Connector	DKN1417
JA8502	(B,46,128)	Connector(A,B)	CKS6495
JA8503	(B,14,128)	Jack	CKN1040
JA8601	(B,42,10)	Connector BT Module	CKS6437 CWX4710

**RESISTORS**

L 7934	(A,107,58)	Chip Beads	VTL1127
L 7935	(A,105,58)	Chip Beads	VTL1127
L 7936	(A,107,57)	Chip Beads	VTL1127
L 7937	(A,105,56)	Chip Beads	VTL1127
L 8001	(B,135,97)	Noise Filter(A,B,C,E)	CTF1834

R 7001	(A,71,112) (A,B)	RS1/4SA0R0J
R 7008	(A,75,104)	RS1/16SS473J
R 7011	(A,75,103)	RS1/16SS2401D
R 7017	(A,77,104)	RS1/16SS8201D
R 7018	(A,76,102)	RS1/16SS2201D
R 7029	(A,20,33)	RS1/16SS102J

L 8002	(B,128,97)	Noise Filter(A,B,C,E)	CTF1834
L 8003	(B,130,97)	Noise Filter(A,B,C,E)	CTF1834
L 8004	(B,133,97)	Noise Filter(A,B,C,E)	CTF1834
L 8005	(B,114,73)	Ferrite Bead(A,B,C,E)	CTF1528
L 8006	(B,125,67)	Chip Beads(A,B,C,E)	VTL1127

R 7032	(A,17,38)	RS1/8SQ0R0J
R 7035	(B,141,72)	RS1/16SS102J
R 7041	(A,118,45)	RS1/16SS683J
R 7049	(A,111,49)	RS1/10SR103J
R 7050	(A,115,47)	RS1/16SS683J

L 8007	(B,125,66)	Chip Beads(A,B,C,E)	VTL1127
L 8008	(B,125,65)	Chip Beads(A,B,C,E)	VTL1127
L 8009	(B,125,63)	Chip Beads(A,B,C,E)	VTL1126
L 8011	(A,128,75)	Inductor(A,B,C,E)	CTF1786
L 8012	(A,114,80)	Inductor(A,B,C,E)	CTF1795

R 7056	(A,104,47)	RS1/8SQ0R0J
R 7057	(A,107,46)	RS1/10SR331J
R 7066	(B,33,70)	RS1/16SS2702D
R 7067	(B,33,71)	RS1/16SS1101D
R 7068	(B,33,72)	RS1/16SS2701D

L 8101	(A,161,83)	Inductor	LCYC1R0K2125
L 8102	(A,157,85)	Chip Ferrite Bead	OTL8019
L 8103	(B,156,76)	Inductor	CTF1547
L 8104	(B,156,77)	Inductor	CTF1547
L 8201	(B,60,19)	Ferrite Bead	CTF1528

R 7071	(A,23,78) 0.011 ohm	CCN1341
R 7077	(B,34,73)	RS1/16SS1103D
R 7078	(B,31,70)	RS1/16SS562J
R 7079	(B,33,69)	RS1/16SS0R0J
R 7082	(B,34,70)	RS1/16SS0R0J

L 8202	(B,59,19)	Ferrite Bead	CTF1528
L 8203	(B,58,19)	Ferrite Bead	CTF1528
L 8204	(B,137,15)	Ferrite Bead	CTF1528
L 8205	(B,74,23)	Ferrite Bead	CTF1528
L 8401	(B,109,31)	Coil(A,B,C,D)	CTH1554
	(B,109,31)	Inductor(E,F,G)	CTF1731

R 7086	(A,14,75)	RS1/16SS102J
R 7087	(A,13,76)	RS1/16SS102J
R 7088	(A,14,82)	RS1/16SS103J
R 7091	(B,28,73)	RS1/16SS0R0J
R 7092	(A,75,86)	RS1/16SS683J

L 8402	(B,107,31)	Coil(A,B,C,D)	CTH1554
	(B,107,31)	Inductor(E,F,G)	CTF1731
L 8403	(B,105,31)	Coil(A,B,C,D)	CTH1554
	(B,105,31)	Inductor(E,F,G)	CTF1731
L 8404	(B,103,31)	Coil(A,B,C,D)	CTH1554
	(B,103,31)	Inductor(E,F,G)	CTF1731

R 7093	(A,73,89)	RS1/16SS683J
R 7094	(A,67,88)	RS1/10SR103J
R 7098	(A,12,81)	RS1/16SS103J
R 7099	(B,66,116) (A,B)	RS1/4SA0R0J
R 7101	(B,53,55)	RS1/16SS0R0J

L 8501	(B,144,98)	Choke Coil 90 ohm	CTH1319
L 8502	(B,142,98)	Choke Coil 90 ohm	CTH1319

R 7102	(B,57,55)	RS1/16SS0R0J
R 7103	(B,61,77)	RS1/16SS0R0J
R 7104	(B,62,78)	RS1/16SS1502D
R 7105	(B,63,78)	RS1/16SS4303D
R 7106	(B,63,76)	RS1/16SS8202D

X 7701	(A,44,51)	Resonator 12.288 MHz	CSS1811
X 7901	(A,91,74)	Crystal Resonator 32.000 MHz	CSS1818
X 8001	(B,109,73)	Resonator 27.000 MHz(A,B,C,E)	CSS1768
P 7001	(B,66,122)	Poly Switch(A,B)	MINISMDC150F/24

R 7107	(B,60,55)	RS1/16SS104J
R 7109	(B,61,66)	RS1/16SS0R0J
R 7110	(B,62,64)	RS1/16SS1802D
R 7111	(B,63,65)	RS1/16SS4703D
R 7112	(B,63,67)	RS1/16SS1503D

CN7001	(A,56,115)	Connector	CKS4977
CN7301	(B,103,39)	B TO B Connector	CKS6547
CN7302	(B,140,39)	B TO B Connector	CKS6549
CN7701	(B,24,21)	B TO B Connector	CKS6346
CN7851	(B,43,95)	Connector(G)	CKS5856

R 7113	(B,65,76)	RS1/16SS562J
R 7114	(B,60,57)	RS1/16SS0R0J
R 7115	(B,64,73)	RS1/10SR0R0J
R 7116	(B,65,67)	RS1/16SS392J
R 7117	(B,64,74)	RS1/10SR0R0J

CN8101	(B,165,82)	Connector	CKS6599
CN8201	(B,69,11)	FFC/FPC Connector	CKS6646
CN8202	(B,87,118)	Plug	CKM1599
CN8203	(B,151,10)	FFC/FPC Connector	CKS6646
CN8204	(B,70,95)	Connector	CKS6007

R 7118	(B,63,70)	RS1/10SR0R0J
R 7119	(B,63,69)	RS1/10SR0R0J
R 7120	(B,60,58)	RS1/10SR334J
R 7121	(B,63,58)	RS1/10SR274J
R 7122	(B,62,72)	RS1/16SS104J

F CN8401	(B,114,15)	FFC/FPC Connector	CKS6646
CN8502	(B,62,128)	Connector(A,B,C,D,E)	CKS6603
JA7501	(A,107,22)	Connector	CKS6282
JA7502	(A,159,33)	Connector	CKS6438

<u>Circuit Symbol and No.</u>		<u>Part No.</u>	<u>Circuit Symbol and No.</u>		<u>Part No.</u>
R 7123	(B,49,76)	RS1/10SR120J	R 7317	(B,133,44)	RS1/16SS0R0J
R 7124	(B,51,64)	RS1/10SR100J	R 7323	(B,134,46) (A,B,C,E)	RS1/16SS0R0J
R 7125	(B,48,75)	RS1/10SR2R2J	R 7325	(B,134,44) (A,B,C,E)	RS1/16SS0R0J
R 7128	(A,62,79) 15 mohm	CCN1328	R 7327	(B,135,48) (A,B,C,E)	RS1/16SS0R0J
R 7129	(A,64,79) 15 mohm	CCN1328	R 7329	(B,135,44) (A,B,C,E)	RS1/16SS0R0J
R 7130	(A,64,63) 12 mohm	CCN1321	R 7330	(B,136,46) (A,B,C,E)	RS1/16SS0R0J
R 7131	(A,62,63) 12 mohm	CCN1321	R 7331	(B,138,44)	RS1/16SS0R0J
R 7132	(A,66,72)	RS1/4SA0R0J	R 7333	(B,137,44)	RS1/16SS0R0J
R 7133	(A,66,70)	RS1/4SA0R0J	R 7335	(B,136,32)	RS1/16SS0R0J
R 7134	(B,60,65)	RS1/16SS0R0J	R 7338	(B,135,29)	RS1/16SS0R0J
R 7135	(B,53,66)	RS1/16SS6R8J	R 7340	(B,135,26)	RS1/16SS0R0J
R 7136	(B,52,76)	RS1/16SS6R8J	R 7341	(B,140,46)	RS1/16SS0R0J
R 7202	(A,146,69)	RS1/16SS222J	R 7342	(B,136,28)	RS1/16SS0R0J
R 7203	(A,146,71)	RS1/16SS222J	R 7343	(B,141,45)	RS1/16SS0R0J
R 7206	(A,148,72)	RS1/16SS222J	R 7344	(B,138,32)	RS1/16SS0R0J
R 7207	(A,147,73)	RS1/16SS222J	R 7345	(B,142,46)	RS1/16SS0R0J
R 7211	(B,90,92)	RS1/8SQ0R0J	R 7350	(B,134,27)	RS1/16SS0R0J
R 7212	(B,96,112)	RS1/8SQ0R0J	R 7356	(B,100,33)	RS1/16SS0R0J
R 7213	(A,107,99)	RS1/16SS102J	R 7357	(B,133,30)	RS1/16SS0R0J
R 7214	(A,98,79)	RS1/16SS102J	R 7362	(B,114,31) (A,B,C,D,E)	RS1/16SS0R0J
R 7215	(A,107,98)	RS1/16SS102J	R 7364	(B,114,32) (A,B,C,D,E)	RS1/16SS0R0J
R 7216	(A,98,78)	RS1/16SS102J	R 7376	(B,122,43)	RS1/10SR0R0J
R 7217	(A,107,97)	RS1/16SS102J	R 7385	(B,117,27)	RS1/16SS0R0J
R 7218	(A,97,102)	RS1/16SS152J	R 7386	(B,87,33)	RS1/16SS0R0J
R 7219	(A,98,77)	RS1/16SS102J	R 7387	(B,111,33)	RS1/16SS0R0J
R 7220	(A,91,81)	RS1/16SS152J	R 7388	(B,91,32)	RS1/16SS0R0J
R 7221	(A,107,96)	RS1/16SS102J	R 7389	(B,113,30)	RS1/16SS0R0J
R 7222	(A,98,76)	RS1/16SS102J	R 7390	(B,89,32)	RS1/16SS0R0J
R 7224	(A,97,103)	RS1/16SS3002D	R 7391	(B,112,33)	RS1/16SS0R0J
R 7225	(A,95,103)	RS1/16SS2701D	R 7392	(B,92,31)	RS1/16SS101J
R 7227	(A,93,105)	RS1/16SS8201D	R 7393	(B,98,46)	RS1/16SS0R0J
R 7229	(A,91,82)	RS1/16SS3002D	R 7394	(B,90,30)	RS1/16SS0R0J
R 7230	(A,90,82)	RS1/16SS2701D	R 7397	(B,132,32)	RS1/16SS0R0J
R 7232	(A,87,84)	RS1/16SS8201D	R 7398	(B,96,32)	RS1/16SS0R0J
R 7233	(A,98,114)	RS1/16SS0R0J	R 7399	(B,133,33)	RS1/16SS0R0J
R 7234	(A,92,93)	RS1/16SS0R0J	R 7400	(B,95,31)	RS1/16SS0R0J
R 7235	(A,94,104)	RS1/16SS752J	R 7401	(B,94,31)	RS1/16SS0R0J
R 7236	(A,89,83)	RS1/16SS103J	R 7403	(B,96,44)	RS1/16SS0R0J
R 7237	(B,112,104) 0.047 ohm	CCN1167	R 7405	(B,97,46)	RS1/16SS0R0J
R 7238	(B,106,83) 0.047 ohm	CCN1167	R 7407	(B,135,32)	RS1/16SS0R0J
R 7245	(A,108,105)	RS1/16SS1001D	R 7408	(B,98,44)	RS1/16SS0R0J
R 7246	(A,102,84)	RS1/16SS0R0J	R 7415	(B,98,32) (A,B,C,D,E)	RS1/16SS0R0J
R 7247	(A,107,102)	RS1/16SS224J	R 7416	(B,99,32) (A,B,C,D,E)	RS1/16SS0R0J
R 7248	(A,101,81)	RS1/16SS224J	R 7419	(B,144,47)	RS1/16SS0R0J
R 7249	(A,109,105)	RS1/16SS1202D	R 7420	(B,144,44)	RS1/16SS0R0J
R 7250	(A,103,84)	RS1/16SS2202D	R 7425	(B,145,45) (A,B)	RS1/16SS221J
R 7251	(A,108,103)	RS1/16SS104J	R 7426	(B,147,45) (A,B)	RS1/16SS221J
R 7252	(A,102,83)	RS1/16SS104J	R 7428	(B,148,44) (A,B)	RS1/16SS0R0J
R 7253	(A,116,104)	RS1/16SS0R0J	R 7430	(B,148,46) (A,B)	RS1/16SS221J
R 7254	(A,110,84)	RS1/16SS0R0J	R 7433	(B,150,46)	RS1/16SS0R0J
R 7302	(A,131,44)	RS1/10SR0R0J	R 7435	(B,151,46)	RS1/16SS0R0J
R 7303	(A,128,42)	RS1/10SR0R0J	R 7437	(B,152,46)	RS1/16SS0R0J
R 7306	(B,130,44)	RS1/16SS0R0J	R 7439	(B,122,32)	RS1/16SS103J
R 7307	(B,95,49)	RS1/10SR0R0J	R 7440	(B,155,44)	RS1/16SS0R0J
R 7308	(B,130,46)	RS1/16SS0R0J	R 7441	(B,155,43)	RS1/16SS0R0J
R 7309	(B,95,46)	RS1/16SS0R0J	R 7442	(B,124,32)	RS1/16SS0R0J
R 7310	(B,131,44)	RS1/16SS0R0J	R 7443	(B,130,32)	RS1/16SS0R0J
R 7311	(B,131,46)	RS1/16SS0R0J	R 7444	(B,129,31)	RS1/16SS0R0J
R 7315	(B,133,46)	RS1/16SS0R0J	R 7445	(B,128,30)	RS1/16SS0R0J

	<u>Circuit Symbol and No.</u>	<u>Part No.</u>	<u>Circuit Symbol and No.</u>	<u>Part No.</u>
	R 7446 (B,127,31)	RS1/16SS0R0J		
	R 7447 (B,126,30)	RS1/16SS0R0J	R 7612 (B,150,28)	RS1/16SS330J
A	R 7448 (B,125,32)	RS1/16SS0R0J	R 7613 (B,144,49)	RS1/16SS221J
	R 7449 (B,124,30)	RS1/16SS0R0J	R 7614 (B,139,49)	RS1/16SS0R0J
	R 7456 (B,87,30)	RS1/16SS103J	R 7615 (B,137,54)	RS1/16SS330J
	R 7457 (B,116,30)	RS1/16SS103J	R 7616 (B,137,52)	RS1/16SS330J
	R 7458 (B,117,30)	RS1/16SS103J		
	R 7459 (B,118,31)	RS1/16SS103J	R 7617 (B,137,50)	RS1/16SS330J
	R 7460 (B,120,32)	RS1/16SS103J	R 7618 (B,143,31)	RS1/16SS103J
	R 7461 (B,121,32)	RS1/16SS103J	R 7619 (B,140,60)	RS1/16SS103J
	R 7463 (B,154,45)	RS1/16SS0R0J	R 7621 (B,164,24)	RS1/16SS821J
	R 7470 (B,116,31)	RS1/16SS0R0J	R 7622 (B,168,24)	RS1/16SS821J
			R 7623 (B,147,20)	RS1/16SS821J
B	R 7480 (B,60,113) (G)	RS1/16SS0R0J	R 7624 (B,151,20)	RS1/16SS821J
	R 7481 (B,58,111) (G)	RS1/16SS0R0J	R 7625 (B,153,52)	RS1/16SS821J
	R 7482 (B,58,113) (A,B)	RS1/16SS0R0J	R 7626 (B,153,57)	RS1/16SS821J
	R 7483 (B,58,112) (A,B)	RS1/16SS0R0J	R 7628 (B,166,22)	RS1/16SS0R0J
	R 7484 (B,132,25)	RS1/16SS104J		
	R 7485 (B,99,30) (A,B,C,D,E)	RS1/16SS473J	R 7631 (B,149,19)	RS1/16SS0R0J
	R 7487 (A,142,30) (G)	RS1/16SS473J	R 7634 (B,155,54)	RS1/16SS0R0J
			R 7639 (B,141,32)	RS1/16SS0R0J
			R 7640 (B,161,22)	RS1/16SS0R0J
	R 7503 (B,129,28)	RS1/16SS103J	R 7702 (B,52,38)	RS1/16SS753J
	R 7504 (B,128,27)	RS1/16SS103J		
	R 7505 (B,126,27)	RS1/16SS103J	R 7703 (B,53,40)	RS1/16SS753J
	R 7506 (B,125,28)	RS1/16SS103J	R 7707 (A,9,115)	RS1/16SS0R0J
	R 7507 (B,124,28)	RS1/16SS103J	R 7708 (B,33,23)	RS1/16SS101J
C	R 7515 (A,124,33)	RS1/16SS0R0J	R 7709 (B,26,29)	RS1/10SR0R0J
			R 7710 (B,34,26)	RS1/16SS101J
	R 7516 (A,125,31)	RS1/16SS0R0J		
	R 7517 (A,126,30)	RS1/16SS0R0J	R 7712 (B,21,26)	RS1/16SS0R0J
	R 7518 (A,127,30)	RS1/16SS0R0J	R 7713 (B,22,26)	RS1/16SS0R0J
	R 7519 (A,128,30)	RS1/16SS0R0J	R 7714 (B,31,41)	RS1/16SS102J
	R 7520 (A,129,31)	RS1/16SS0R0J	R 7715 (B,31,33)	RS1/16SS0R0J
			R 7716 (A,47,51)	RS1/16SS222J
	R 7521 (A,130,29)	RS1/16SS0R0J		
	R 7522 (A,119,40)	RS1/16SS680J	R 7717 (B,18,15)	RS1/16SS102J
	R 7523 (A,99,40)	RS1/16SS680J	R 7718 (B,17,15)	RS1/16SS102J
	R 7524 (A,95,40)	RS1/16SS330J	R 7719 (A,46,50)	RS1/16SS105J
	R 7525 (B,168,46)	RS1/16SS680J	R 7723 (B,20,24)	RS1/16SS0R0J
			R 7728 (A,50,50)	RS1/16SS0R0J
D	R 7526 (B,163,46)	RS1/16SS680J		
	R 7527 (A,151,49)	RS1/16SS680J	R 7729 (B,17,24)	RS1/16SS0R0J
	R 7528 (B,94,11)	RS1/16SS221J	R 7730 (A,50,51)	RS1/16SS0R0J
	R 7530 (B,93,14)	RS1/16SS330J	R 7731 (B,41,40)	RS1/16SS0R0J
	R 7531 (A,119,39)	RS1/16SS680J	R 7733 (A,38,48)	RS1/16SS0R0J
			R 7734 (A,30,35)	RS1/16SS223J
	R 7532 (A,112,40)	RS1/16SS680J		
	R 7533 (A,98,40)	RS1/16SS680J	R 7735 (A,30,37)	RS1/16SS223J
	R 7534 (B,165,46)	RS1/16SS680J	R 7737 (B,29,36)	RS1/16SS222J
	R 7535 (A,149,49)	RS1/16SS680J	R 7738 (B,27,36)	RS1/16SS332J
	R 7537 (B,167,47)	RS1/16SS103J	R 7739 (A,39,40)	RS1/16SS0R0J
			R 7744 (A,31,33)	RS1/16SS223J
E	R 7538 (B,164,47)	RS1/16SS103J		
	R 7539 (B,162,47)	RS1/16SS103J	R 7745 (B,42,37)	RS1/16SS333J
	R 7540 (A,149,51)	RS1/16SS103J	R 7746 (B,41,38)	RS1/16SS473J
	R 7541 (A,148,51)	RS1/16SS103J	R 7749 (B,54,40)	RS1/16SS101J
	R 7544 (A,146,51)	RS1/16SS0R0J	R 7752 (B,36,36)	RS1/16SS561J
			R 7756 (B,144,70)	RS1/16SS103J
	R 7545 (A,93,42)	RS1/16SS0R0J		
	R 7601 (B,158,28)	RS1/16SS221J	R 7757 (B,142,65)	RS1/16SS220J
	R 7603 (B,161,27)	RS1/16SS0R0J	R 7758 (B,145,62)	RS1/16SS220J
	R 7604 (B,156,29)	RS1/16SS102J	R 7761 (A,59,37)	RS1/16SS0R0J
	R 7605 (B,159,29)	RS1/16SS102J	R 7762 (B,35,23)	RS1/16SS222J
			R 7764 (B,36,38)	RS1/16SS821J
	R 7606 (B,155,28)	RS1/16SS102J		
F	R 7607 (B,164,34)	RS1/16SS103J	R 7766 (A,47,32)	RS1/16SS103J
	R 7609 (B,140,29)	RS1/16SS0R0J	R 7767 (A,48,32)	RS1/16SS0R0J
	R 7610 (B,145,31)	RS1/16SS330J	R 7768 (A,56,33)	RS1/16SS0R0J
	R 7611 (B,143,33)	RS1/16SS330J	R 7769 (A,55,33)	RS1/16SS0R0J

<u>Circuit Symbol and No.</u>		<u>Part No.</u>	<u>Circuit Symbol and No.</u>		<u>Part No.</u>
R 7770	(A,54,33)	RS1/16SS0R0J	R 7866	(A,64,27) (G)	RS1/16SS2200D
			R 7867	(A,61,7) (G)	RS1/16SS0R0J
R 7771	(A,53,33)	RS1/16SS331J			
R 7772	(A,56,29)	RS1/16SS103J	R 7868	(B,61,87) (G)	RS1/10SR0R0J
R 7773	(A,55,30)	RS1/16SS103J	R 7869	(B,52,89) (G)	RS1/16SS121J
R 7774	(A,54,30)	RS1/16SS103J	R 7870	(A,65,95) (G)	RS1/16SS0R0J
R 7775	(B,59,41)	RS1/10SR0R0J	R 7871	(A,51,93) (G)	RS1/10SR0R0J
			R 7873	(A,65,7) (G)	RS1/16SS0R0J
R 7776	(A,38,43)	RS1/16SS0R0J			
R 7778	(B,55,34)	RS1/16SS153J	R 7874	(A,70,12) (G)	RS1/16SS0R0J
R 7780	(B,52,32)	RS1/16SS223J	R 7875	(A,70,11) (G)	RS1/16SS473J
R 7781	(B,46,30)	RS1/16SS223J	R 7877	(A,64,11) (G)	RS1/16SS0R0J
R 7782	(B,52,30)	RS1/16SS0R0J	R 7878	(A,64,13) (G)	RS1/16SS0R0J
			R 7879	(A,64,12) (G)	RS1/16SS0R0J
R 7783	(B,40,32)	RS1/16SS163J			
R 7784	(B,42,32)	RS1/16SS163J	R 7881	(B,65,20) (A,B,C,D,E,F)	RS1/16SS0R0J
R 7785	(B,39,32)	RS1/16SS101J	R 7882	(B,64,18) (A,B,C,D,E,F)	RS1/16SS0R0J
R 7786	(B,50,29)	RS1/16SS0R0J	R 7885	(A,48,101) (G)	RS1/16SS473J
R 7787	(A,12,111)	RS1/16SS153J	R 7886	(A,59,99) (G)	RS1/16SS0R0J
			R 7894	(B,44,102) (G)	RS1/16SS473J
R 7788	(A,9,111)	RS1/16SS683J			
R 7789	(A,8,104)	RS1/16SS562J	R 7895	(A,51,99) (G)	RS1/16SS0R0J
R 7791	(A,9,101)	RS1/16SS104J	R 7901	(B,80,73)	RS1/16SS151J
R 7792	(A,11,101)	RS1/16SS274J	R 7902	(B,78,71)	RS1/16SS151J
R 7793	(B,34,41)	RS1/16SS0R0J	R 7903	(B,77,65)	RS1/16SS151J
			R 7907	(B,68,54)	RS1/16SS151J
R 7794	(A,15,106)	RS1/16SS0R0J			
R 7795	(A,13,113)	RS1/16SS0R0J	R 7908	(B,69,55)	RS1/16SS151J
R 7797	(B,50,35)	RS1/16SS153J	R 7909	(B,71,55)	RS1/16SS151J
R 7798	(A,31,30)	RS1/16SS223J	R 7910	(A,71,57)	RS1/16SS151J
R 7804	(A,31,31)	RS1/16SS0R0J	R 7911	(B,85,64)	RS1/4SA0R0J
			R 7912	(B,85,61)	RS1/4SA0R0J
R 7805	(A,17,110)	RS1/16SS102J			
R 7806	(A,15,113)	RS1/16SS102J	R 7913	(B,85,59)	RS1/4SA0R0J
R 7811	(B,14,24)	RS1/16SS0R0J	R 7916	(B,84,74)	RS1/16SS1500D
R 7813	(B,57,36)	RS1/16SS0R0J	R 7917	(B,81,69) (G)	RS1/16SS271J
R 7820	(A,18,29)	RS1/16SS0R0J	R 7918	(B,79,83)	RS1/16SS0R0J
			R 7919	(B,84,67)	RS1/16SS1500D
R 7821	(A,29,43)	RS1/16SS0R0J			
R 7822	(B,31,42)	RS1/16SS0R0J	R 7920	(B,86,70)	RS1/16SS472J
R 7823	(B,40,36)	RS1/16SS273J	R 7921	(B,87,56)	RS1/16SS473J
R 7826	(B,44,42)	RS1/16SS0R0J	R 7923	(B,86,68)	RS1/16SS101J
R 7827	(A,53,49)	RS1/16SS472J	R 7924	(B,87,67)	RS1/16SS101J
			R 7925	(A,89,72)	RS1/16SS821J
R 7828	(A,53,52)	RS1/16SS472J			
R 7829	(A,18,25)	RS1/16SS0R0J	R 7926	(A,89,69)	RS1/16SS105J
R 7832	(A,52,23)	RS1/10SR0R0J	R 7927	(B,78,96)	RS1/16SS104J
R 7833	(A,50,30)	RS1/10SR0R0J	R 7928	(B,78,80)	RS1/10SR0R0J
R 7834	(B,52,33)	RS1/16SS682J	R 7929	(B,75,91)	RS1/16SS104J
			R 7930	(A,96,69)	RS1/16SS221J
R 7835	(A,63,8) (G)	RS1/16SS271J			
R 7847	(B,34,97) (G)	RS1/16SS750J	R 7932	(B,74,66)	RS1/16SS0R0J
R 7849	(B,60,28) (G)	RS1/16SS0R0J	R 7933	(B,76,75)	RS1/16SS104J
R 7850	(B,60,27) (G)	RS1/16SS0R0J	R 7942	(B,62,52)	RS1/16SS273J
R 7851	(A,77,96) (G)	RS1/16SS273J	R 7943	(B,62,51)	RS1/16SS273J
			R 7945	(A,95,70)	RS1/16SS103J
R 7852	(A,77,94) (G)	RS1/16SS273J			
R 7853	(A,65,92) (G)	RS1/16SS0R0J	R 7951	(A,95,72)	RS1/16SS101J
R 7854	(A,58,9) (G)	RS1/16SS273J	R 7955	(A,103,63)	RS1/16SS104J
R 7855	(A,60,9) (G)	RS1/16SS273J	R 7956	(A,103,60)	RAB4CQ151J
R 7856	(B,45,103) (G)	RS1/16SS0R0J	R 7957	(A,103,57)	RAB4CQ151J
			R 7958	(A,95,61)	RAB4CQ391J
R 7857	(B,44,106) (G)	RS1/16SS0R0J			
R 7858	(A,49,101) (G)	RS1/16SS0R0J	R 7959	(A,95,58)	RAB4CQ391J
R 7859	(A,50,99) (G)	RS1/16SS471J	R 7968	(A,103,62)	RS1/16SS221J
R 7861	(B,36,96) (G)	RS1/16SS0R0J	R 7977	(A,103,66)	RS1/16SS151J
R 7862	(A,34,96) (G)	RS1/16SS0R0J	R 7982	(B,67,47)	RS1/16SS101J
			R 7983	(B,70,47)	RS1/16SS101J
R 7863	(B,48,111) (G)	RS1/16SS0R0J			
R 7864	(B,49,111) (G)	RS1/16SS0R0J	R 7984	(A,70,47)	RS1/16SS101J
R 7865	(B,50,111) (G)	RS1/16SS0R0J	R 7985	(A,67,48)	RS1/16SS101J

**Circuit Symbol and No.****Part No.****Circuit Symbol and No.****Part No.**

R 7986	(B,68,35)	RS1/16SS75R0D	R 8115	(A,144,80)	RS1/16SS1501D
R 7987	(B,71,35)	RS1/16SS75R0D	R 8116	(A,144,78)	RS1/16SS2402D
R 7988	(A,70,35)	RS1/16SS75R0D	R 8117	(A,144,76)	RS1/16SS3302D
R 7989	(A,66,36)	RS1/16SS75R0D	R 8119	(B,147,82)	RS1/16SS4702D
R 7991	(B,61,26)	RS1/16SS0R0J	R 8120	(A,146,76)	RS1/16SS4702D
R 7992	(B,62,46)	RS1/16SS0R0J	R 8121	(A,146,80)	RS1/16SS432J
R 7993	(B,83,73) (G)	RS1/16SS0R0J	R 8127	(B,156,79)	RS1/16SS471J
R 7994	(B,81,68) (A,B,C,D,E,F)	RS1/16SS0R0J	R 8128	(B,156,80)	RS1/16SS0R0J
R 7995	(A,94,67)	RS1/16SS270J	R 8129	(B,159,82)	RS1/16SS0R0J
R 8001	(B,121,104) (A,B,C,E)	RS1/16SS0R0J	R 8130	(B,159,83)	RS1/16SS0R0J
R 8002	(B,123,104) (A,B,C,E)	RS1/16SS0R0J	R 8132	(A,161,77)	RS1/16SS0R0J
R 8003	(B,124,102) (A,B,C,E)	RS1/16SS151J	R 8133	(A,160,77)	RS1/16SS0R0J
R 8004	(B,122,101) (A,B,C,E)	RS1/16SS151J	R 8134	(A,158,77)	RS1/16SS1002D
R 8006	(A,122,94) (A,B,C,E)	RS1/16SS103J	R 8135	(A,157,77)	RS1/16SS2202D
R 8007	(A,122,93) (A,B,C,E)	RS1/16SS102J	R 8136	(A,156,77)	RS1/16SS3302D
R 8008	(B,119,103) (A,B,C,E)	RS1/16SS102J	R 8137	(A,160,81)	RS1/16SS102J
R 8009	(B,119,98) (A,B,C,E)	RS1/16SS473J	R 8138	(B,149,87)	RS1/16SS103J
R 8010	(B,119,99) (A,B,C,E)	RS1/16SS473J	R 8139	(A,156,79)	RS1/16SS103J
R 8011	(A,113,82) (A,B,C,E)	RS1/16SS223J	R 8140	(A,154,81)	RS1/10SR0R0J
R 8012	(A,113,80) (A,B,C,E)	RS1/16SS433J	R 8141	(A,160,80)	RS1/16SS102J
R 8013	(A,126,58) (A,B,C,E)	RS1/16SS0R0J	R 8142	(A,164,84)	RS1/16SS0R0J
R 8014	(A,121,56) (A,B,C,E)	RS1/16SS0R0J	R 8143	(A,171,80)	RS1/16SS473J
R 8015	(B,125,70) (A,B,C,E)	RS1/16SS0R0J	R 8144	(A,171,79)	RS1/16SS473J
R 8016	(A,126,53) (A,B,C,E)	RS1/16SS0R0J	R 8145	(A,171,78)	RS1/16SS473J
R 8017	(A,118,80) (A,B,C,E)	RS1/16SS273J	R 8146	(B,152,76)	RS1/10SR0R0J
R 8018	(B,111,71) (A,B,C,E)	RS1/16SS102J	R 8148	(A,160,82)	RS1/16SS102J
R 8019	(B,125,69) (A,B,C,E)	RS1/16SS271J	R 8149	(A,160,79)	RS1/16SS102J
R 8021	(B,125,68) (A,B,C,E)	RS1/16SS0R0J	R 8150	(B,155,86)	RS1/16SS0R0J
R 8022	(B,111,69) (A,B,C,E)	RS1/16SS105J	R 8201	(B,79,23)	RS1/16SS0R0J
R 8024	(A,123,68) (A,B,C,E)	RS1/16SS333J	R 8202	(B,144,15)	RS1/16SS0R0J
R 8025	(A,124,68) (A,B,C,E)	RS1/16SS333J	R 8203	(B,78,23)	RS1/16SS0R0J
R 8026	(B,126,67) (A,B,C,E)	RS1/16SS330J	R 8205	(B,77,23)	RS1/16SS0R0J
R 8027	(A,122,63) (A,B,C,E)	RS1/16SS333J	R 8209	(B,93,126)	RS1/10SR0R0J
R 8028	(A,123,65) (A,B,C,E)	RS1/16SS333J	R 8210	(B,81,123)	RS1/10SR0R0J
R 8029	(B,126,66) (A,B,C,E)	RS1/16SS330J	R 8216	(B,76,16)	RS1/16SS0R0J
R 8031	(A,113,60) (A,B,C,E)	RS1/16SS103J	R 8218	(B,75,20)	RS1/16SS0R0J
R 8032	(A,112,63) (A,B,C,E)	RS1/16SS0R0J	R 8220	(B,74,17)	RS1/16SS0R0J
R 8033	(B,126,65) (A,B,C,E)	RS1/16SS330J	R 8222	(B,73,20)	RS1/16SS0R0J
R 8035	(B,125,64) (A,B,C,E)	RS1/16SS0R0J	R 8223	(B,73,18)	RS1/16SS0R0J
R 8036	(A,110,63) (A,B,C,E)	RS1/16SS472J	R 8227	(B,71,17)	RS1/16SS0R0J
R 8037	(B,126,63) (A,B,C,E)	RS1/16SS101J	R 8228	(B,70,18)	RS1/16SS0R0J
R 8038	(A,129,53) (A,B,C,E)	RS1/16SS473J	R 8229	(B,69,17)	RS1/16SS0R0J
R 8040	(A,128,53) (A,B,C,E)	RS1/16SS473J	R 8231	(B,69,18)	RS1/16SS0R0J
R 8041	(A,130,53) (A,B,C,E)	RS1/16SS473J	R 8232	(B,68,17)	RS1/16SS0R0J
R 8042	(B,111,63) (A,B,C,E)	RAB4CQ220J	R 8233	(B,67,18)	RS1/16SS0R0J
R 8043	(B,111,60) (A,B,C,E)	RAB4CQ220J	R 8235	(B,67,17)	RS1/16SS0R0J
R 8044	(B,116,58) (A,B,C,E)	RAB4CQ220J	R 8236	(B,66,18)	RS1/16SS0R0J
R 8045	(B,118,58) (A,B,C,E)	RAB4CQ220J	R 8237	(B,65,16)	RS1/16SS0R0J
R 8046	(A,126,76) (A,B,C,E)	RS1/16SS472J	R 8241	(B,63,20)	RS1/16SS0R0J
R 8052	(B,108,66) (A,B,C,E)	RS1/16SS100J	R 8242	(B,63,18)	RS1/16SS0R0J
R 8057	(A,133,75) (A,B,C,E)	RS1/16SS821J	R 8243	(B,62,20) (A,B,C,E)	RS1/16SS0R0J
R 8058	(A,133,73) (A,B,C,E)	RS1/16SS0R0J	R 8244	(B,61,18) (A,B,C,E)	RS1/16SS0R0J
R 8059	(A,133,72) (A,B,C,E)	RS1/16SS821J	R 8245	(B,61,20) (A,B,C,E)	RS1/16SS0R0J
R 8061	(B,125,59) (A,B,C,E)	RAB4CQ221J	R 8249	(B,57,22) (A,B,G)	RS1/16SS0R0J
R 8065	(B,127,72) (A,B,C,E)	RS1/16SS0R0J	R 8250	(B,57,21) (A,B,G)	RS1/16SS0R0J
R 8066	(B,131,68) (A,B,C,E)	RS1/16SS0R0J	R 8251	(B,56,22) (A,B,G)	RS1/16SS0R0J
R 8070	(A,122,71) (A,B,C,E)	RS1/16SS222J	R 8254	(B,55,20) (A,B)	RS1/16SS0R0J
R 8071	(A,117,80) (A,B,C,E)	RS1/16SS0R0J	R 8255	(B,54,20) (A,B)	RS1/16SS0R0J
R 8114	(A,148,87)	RS1/16SS10R0D	R 8304	(B,160,16)	RS1/16SS471J
			R 8305	(B,160,17)	RS1/16SS471J



Circuit Symbol and No.Part No.Circuit Symbol and No.Part No.

	C 7018 (A,13,36)	CKSRYB105K10	C 7214 (B,99,79)	CEVW101M16
A	C 7021 (A,126,48) 4.7 uF(A,B,C,E)	CCG1212	C 7215 (A,96,104)	CCSSCH270J50
	C 7022 (B,147,78)	CKSRYB105K10	C 7216 (A,90,84)	CCSSCH270J50
	C 7023 (A,12,34) 4.7 uF	CCG1212	C 7217 (B,110,103)	CKSSYB104K10
	C 7029 (A,122,52) 4.7 uF(A,B,C,E)	CCG1212	C 7218 (B,104,83)	CKSSYB104K10
			C 7219 (A,94,105)	CKSSYB222K50
	C 7032 (A,89,45)	CKSRYB105K10	C 7220 (A,89,84)	CCSSCH821J50
	C 7033 (A,84,45)	CKSRYB105K10	C 7221 (A,100,112)	CKSRYB104K50
	C 7036 (A,115,45)	CKSRYB105K10	C 7222 (A,94,92)	CKSRYB104K50
	C 7039 (A,115,46)	CKSSYB473K16	C 7223 (A,95,106)	CKSRYB105K10
	C 7042 (A,20,35)	CKSSYB104K10	C 7224 (A,89,86)	CKSRYB105K10
	C 7043 (A,123,45) (A,B,C,E)	CKSSYB104K10	C 7225 (B,108,105) 22 uF	CCG1254
	C 7045 (B,32,70)	CCSSCH561J50	C 7226 (B,102,85) 22 uF	CCG1254
B	C 7046 (A,36,71) 10 uF/16 V	DCH1263	C 7229 (A,107,110)	CKSSYB104K16
	C 7047 (A,36,73) 10 uF/16 V	DCH1263	C 7230 (A,108,107)	CKSSYB104K16
	C 7048 (A,36,75) 10 uF/16 V	DCH1263	C 7231 (A,108,102)	CKSSYB102K50
	C 7049 (A,36,76)	CKSSYB104K16	C 7232 (A,106,102)	CKSSYB472K50
	C 7052 (B,33,85)	CKSSYB104K16	C 7233 (A,101,89)	CKSSYB104K16
	C 7053 (A,26,79) 10 uF	CCG1236	C 7234 (A,102,86)	CKSSYB104K16
	C 7055 (B,29,73)	CKSSYB103K16	C 7235 (A,102,81)	CKSSYB102K50
	C 7056 (B,31,72)	CCSSCH8R0D50	C 7236 (A,100,81)	CKSSYB472K50
	C 7057 (B,35,73)	CKSSYB103K16	C 7301 (B,84,45) 22 uF	DCH1256
	C 7058 (B,30,71)	CKSSYB152K50	C 7303 (A,129,39)	CKSSYB104K10
	C 7059 (B,31,73)	CKSRYB105K16	C 7305 (B,90,47) 22 uF	DCH1256
C	C 7060 (A,26,77) 10 uF	CCG1236	C 7306 (A,132,41)	CKSSYB104K10
	C 7061 (A,26,75) 10 uF	CCG1236	C 7501 (B,132,27)	CKSSYB104K10
	C 7074 (A,75,89)	CKSRYB105K10	C 7502 (B,91,14)	CKSSYB104K10
	C 7085 (B,141,76)	CKSSYB104K10	C 7503 (A,108,39) 10 uF	CCG1192
	C 7086 (A,72,86) 10 uF	CCG1192	C 7504 (A,159,50) 10 uF	CCG1192
	C 7101 (B,62,77)	CCSSCH150J50	C 7505 (A,107,38)	CKSSYB104K10
	C 7102 (B,64,76)	CCSSCH220J50	C 7506 (A,159,48)	CKSSYB104K10
	C 7103 (B,65,78)	CKSSYB152K50	C 7601 (B,169,36) 10 uF	CCG1192
	C 7104 (B,62,66)	CCSSCH150J50	C 7602 (B,151,23) 10 uF	CCG1192
	C 7105 (B,64,67)	CCSSCH220J50	C 7603 (B,145,60) 10 uF	CCG1192
	C 7106 (B,61,74)	CCSSCH102J50	C 7604 (B,168,34)	CKSSYB104K10
D	C 7107 (B,65,65)	CKSSYB472K50	C 7605 (B,149,24)	CKSSYB104K10
	C 7108 (B,61,69)	CCSSCH102J50	C 7606 (B,144,59)	CKSSYB104K10
	C 7109 (B,62,57)	CKSSYB103K16	C 7607 (B,171,25)	CKSSYB104K10
	C 7110 (B,55,77)	CKSSYB222K50	C 7608 (B,142,21)	CKSSYB104K10
	C 7111 (B,58,65)	CKSSYB153K16	C 7609 (B,147,50)	CKSSYB104K10
	C 7112 (B,51,72)	CKSRYB104K50	C 7610 (B,171,23) 10 uF	CCG1192
	C 7113 (B,49,77)	CKSRYB104K50	C 7611 (B,143,19) 10 uF	CCG1192
	C 7114 (B,51,63)	CKSRYB104K50	C 7612 (B,149,51) 10 uF	CCG1192
	C 7115 (B,50,70) 4.7 uF	CCG1201	C 7613 (B,164,23)	CKSSYB102K50
	C 7116 (A,44,76) 10 uF	CCG1236	C 7614 (B,167,23)	CKSSYB102K50
	C 7117 (A,45,66) 10 uF	CCG1236	C 7615 (B,147,19)	CKSSYB102K50
E	C 7121 (A,61,76) 47 uF	CCG1229	C 7616 (B,150,19)	CKSSYB102K50
	C 7122 (A,61,70) 47 uF	CCG1229	C 7617 (B,154,53)	CKSSYB102K50
	C 7124 (A,61,73) 47 uF	CCG1229	C 7618 (B,154,55)	CKSSYB102K50
	C 7125 (A,61,66) 47 uF	CCG1229	C 7701 (B,52,40)	CCSSCH680J50
	C 7201 (A,147,66)	CKSSYB104K10	C 7705 (B,30,27) 10 uF	CCG1192
	C 7202 (A,149,67)	CKSSYB104K10	C 7707 (A,46,52)	CCSSCH120J50
	C 7204 (A,151,70)	CKSSYB104K10	C 7708 (B,27,27) 10 uF	CCG1192
	C 7207 (B,93,87) 10 uF	CCG1236	C 7710 (B,27,25)	CKSSYB104K10
	C 7208 (B,93,90) 10 uF	CCG1236	C 7711 (B,32,23)	CKSSYB104K10
	C 7209 (B,99,110) 10 uF	CCG1236	C 7713 (A,43,48)	CCSSCH120J50
F	C 7210 (B,99,108) 10 uF	CCG1236	C 7714 (A,23,28)	CKSRYB105K10
	C 7211 (A,95,102)	CCSSCH471J50	C 7715 (B,14,25)	CKSRYB105K10
	C 7212 (A,90,81)	CCSSCH471J50	C 7717 (A,38,46) 10 uF	CCG1192
	C 7213 (B,107,99)	CEVW101M16		

<u>Circuit Symbol and No.</u>		<u>Part No.</u>	<u>Circuit Symbol and No.</u>		<u>Part No.</u>
C 7718	(A,41,46)	CKSSYB104K10	C 7897	(B,76,68)	CKSRYB105K10
C 7723	(A,38,45) 10 uF	CCG1192	C 7898	(B,70,69)	CKSSYB104K10
C 7724	(B,28,38) 10 uF	CCG1192	C 7899	(B,71,67)	CKSSYB104K10
C 7727	(B,29,35)	CKSSYB104K10	C 7909	(B,69,40)	CKSRYB105K10
C 7728	(B,31,39)	CKSRYB105K10	C 7910	(B,67,40)	CKSRYB105K10
C 7730	(A,40,44)	CKSSYB104K10	C 7911	(B,72,40)	CKSRYB105K10
C 7732	(B,42,36)	CCSSCH561J50	C 7912	(B,70,40)	CKSRYB105K10
C 7733	(B,42,38)	CCSSCH680J50	C 7913	(A,69,41)	CKSRYB105K10
C 7736	(B,153,69)	CKSQYB225K10	C 7914	(A,71,41)	CKSRYB105K10
C 7737	(B,154,67) 4.7 uF	CCG1201	C 7915	(A,65,41)	CKSRYB105K10
C 7738	(B,152,66)	CKSSYB104K10	C 7916	(A,67,41)	CKSRYB105K10
C 7739	(B,154,64) 10 uF	CCG1192	C 7917	(A,69,58) 10 uF	CCG1192
C 7740	(B,50,41)	CKSSYB104K10	C 7918	(B,80,71)	CKSRYB105K16
C 7741	(B,151,62) 10 uF	CCG1192	C 7919	(B,78,68)	CKSRYB105K16
C 7742	(B,158,67)	CKSSYB104K10	C 7920	(B,79,61)	CKSRYB105K16
C 7743	(B,151,60)	CKSSYB104K10	C 7921	(B,68,46)	CKSSYB104K10
C 7744	(A,41,44)	CCSSCH151J50	C 7922	(B,72,46)	CKSSYB104K10
C 7745	(A,27,41)	CKSRYB105K10	C 7923	(A,69,47)	CKSSYB104K10
C 7747	(A,36,39) 10 uF	CCG1234	C 7924	(A,65,47)	CKSSYB104K10
C 7748	(A,59,39) 10 uF	CCG1192	C 7925	(B,75,61)	CKSRYB105K16
C 7749	(A,57,39)	CKSSYB104K10	C 7926	(A,78,64)	CCSSCH102J50
C 7751	(A,57,37)	CKSSYB104K10	C 7927	(A,77,64)	CKSSYB104K10
C 7754	(A,45,33)	CKSSYB104K10	C 7928	(B,77,59)	CKSRYB105K16
C 7755	(A,40,32) 10 uF	CCG1192	C 7929	(A,76,63)	CKSSYB103K16
C 7756	(A,45,32) 10 uF	CCG1192	C 7930	(A,76,62)	CKSSYB474K6R3
C 7757	(A,40,34) 10 uF	CCG1192	C 7931	(A,76,61)	CKSSYB474K6R3
C 7758	(A,41,36)	CKSSYB104K10	C 7932	(B,77,57)	CKSRYB105K16
C 7759	(A,53,30)	CCSSCH220J50	C 7933	(A,77,58)	CKSSYB104K10
C 7761	(B,40,38)	CKSRYB105K10	C 7934	(A,78,58)	CCSSCH102J50
C 7762	(A,36,42)	CKSRYB105K10	C 7935	(A,72,58)	CKSRYB105K16
C 7763	(B,57,34) 2.2 uF	CCG1205	C 7936	(A,76,66) 10 uF	CCG1192
C 7765	(B,47,29) 0.47 uF	CCG1339	C 7937	(A,78,61)	CKSSYB474K6R3
C 7766	(B,40,33)	CCSSCH101J50	C 7939	(A,82,70)	CKSSYB104K10
C 7767	(B,41,32)	CCSSCH101J50	C 7940	(A,82,69)	CCSSCH102J50
C 7768	(B,50,30)	CKSSYB104K10	C 7941	(A,82,54)	CKSSYB104K10
C 7769	(A,11,114)	CKSSYB683K10	C 7942	(A,83,54)	CKSSYB104K10
C 7770	(A,11,112)	CKSRYB474K16	C 7943	(B,82,69) (G)	CKSRYB105K16
C 7771	(A,8,106) 4.7 uF	CCG1331	C 7944	(B,84,71)	CKSRYB105K16
C 7772	(A,9,102)	CCSSCH180J50	C 7945	(A,83,72) 10 uF	CCG1192
C 7773	(A,10,101)	CCSSCH6R0D50	C 7946	(A,85,69)	CKSSYB104K10
C 7774	(A,14,105)	CKSSYB104K10	C 7947	(A,85,54)	CKSSYB104K10
C 7775	(A,23,30)	CKSRYB105K10	C 7948	(A,86,71)	CKSSYB104K10
C 7779	(A,29,32)	CKSSYB104K10	C 7949	(A,88,49) 10 uF	CCG1192
C 7780	(A,15,109) 22 uF	DCH1256	C 7950	(A,87,69)	CKSSYB104K10
C 7783	(B,44,41)	CKSSYB104K10	C 7951	(A,87,54)	CKSSYB104K10
C 7785	(B,140,63)	CCSSCH101J50	C 7952	(A,89,54)	CKSSYB104K10
C 7786	(B,25,25)	CKSSYB104K10	C 7953	(A,81,44) 10 uF	CCG1192
C 7789	(B,53,33) 2.2 uF	CCG1205	C 7954	(A,91,72)	CCSSCH5R0C50
C 7790	(B,19,26)	CCSSCH101J50	C 7955	(A,90,72)	CCSSCH6R0D50
C 7791	(B,37,41) 10 uF	CCG1234	C 7956	(A,93,64)	CKSSYB104K10
C 7854	(A,79,97) (G)	CKSSYB104K10	C 7957	(A,93,63)	CKSSYB104K10
C 7855	(A,76,94) (G)	CCG1192	C 7958	(A,95,69)	CKSSYB103K16
C 7856	(A,56,10) (G)	CKSSYB104K10	C 7963	(A,99,64) 1 uF	DCH1246
C 7857	(A,59,7) (G)	CCG1192	C 7965	(A,99,63)	CKSSYB103K16
C 7862	(B,53,89) (G)	CKSSYB104K10	C 7967	(A,95,67)	CCSSCH470J50
C 7865	(A,65,8) (G)	CKSRYB105K10	C 7968	(A,104,67)	CCSSCH150J50
C 7866	(A,65,10) (G)	CKSRYB105K10	C 7970	(B,69,51)	CKSSYB104K10
C 7867	(A,76,9) (G)	CKSRYB104K16	C 7971	(B,72,51)	CKSSYB104K10
C 7868	(A,77,9) (G)	CCG1192	C 7972	(A,69,52)	CKSSYB104K10

**Circuit Symbol and No.****Part No.****Circuit Symbol and No.****Part No.**

C 7973 (A,65,53)  
 C 7974 (A,100,70) 1 uF  
 C 7975 (A,100,69)  
 C 7979 (B,65,55)

CKSSYB104K10  
 DCH1246  
 CKSSYB103K16  
 CKSSYB104K10

C 8524 (B,53,114) (A,B)  
 C 8525 (A,10,120)  
 C 8601 (A,19,9)  
 C 8602 (A,21,7)  
 C 8604 (A,31,7) 2.2 uF

CCSRCH220J50  
 CCSRCH470J50  
 CCSSCH100D50  
 CKSSYB104K16  
 CCG1218

C 7980 (B,60,49) 10 uF  
 C 7988 (B,77,91)  
 C 7989 (B,79,91)  
 C 7990 (B,78,85)  
 C 7991 (A,76,74)

CCG1192  
 CKSRYB105K10  
 CKSRYB105K10  
 CKSSYB104K10  
 CKSSYB104K10

C 8606 (A,32,10)  
 C 8607 (A,33,15)  
 C 8608 (A,17,9) 10 uF  
 C 8801 (B,111,122)  
 C 8813 (A,95,74)

CKSSYB104K10  
 CKSSYB104K10  
 CCG1192  
 CKSRYB331K50  
 CKSRYB102K50

C 7994 (B,73,84)  
 C 7995 (B,75,84)  
 C 7996 (B,74,78)  
 C 7997 (B,75,78)  
 C 8000 (B,76,70)

CKSRYB105K10  
 CKSRYB105K10  
 CKSSYB104K10  
 CKSSYB104K10  
 CKSRYB105K10

C 8814 (A,99,71) 4.7 uF  
 C 8815 (A,117,53)  
 C 8816 (A,116,53)  
 C 8817 (A,115,53)  
 C 8818 (A,114,53)

CCG1201  
 CCSSCH9R0D50  
 CCSSCH9R0D50  
 CCSSCH9R0D50  
 CCSSCH9R0D50

C 8004 (B,114,72) 10 uF(A,B,C,E)  
 C 8007 (B,121,102) (A,B,C,E)  
 C 8008 (B,114,71) (A,B,C,E)  
 C 8009 (B,121,98) (A,B,C,E)  
 C 8012 (A,117,67) (A,B,C,E)

CCG1192  
 CCSSCH270J50  
 CKSSYB104K10  
 CCSSCH270J50  
 CKSSYB104K10

C 8819 (A,112,53)  
 C 8820 (A,111,53)  
 C 8821 (A,110,53)  
 C 8822 (A,108,53)  
 C 8823 (A,82,76)

CCSSCH9R0D50  
 CCSSCH9R0D50  
 CCSSCH9R0D50  
 CCSSCH9R0D50  
 CCSRCH121J50

C 8013 (A,119,67) (A,B,C,E)  
 C 8014 (A,120,65) (A,B,C,E)  
 C 8016 (B,110,71) (A,B,C,E)  
 C 8017 (B,109,71) (A,B,C,E)  
 C 8019 (A,115,65) (A,B,C,E)

CKSSYB104K10  
 CKSSYB104K10  
 CCSSCH120J50  
 CCSSCH150J50  
 CKSSYB104K10

C 8824 (A,73,31)  
 C 8825 (A,61,31)

CCSRCH121J50  
 CCSRCH121J50

**C****Unit Number: CWX4717****Unit Name: DVD Core Unit**

C 8023 (B,129,63) (A,B,C,E)  
 C 8024 (A,116,63) (A,B,C,E)  
 C 8025 (A,119,62) (A,B,C,E)  
 C 8026 (A,120,63) (A,B,C,E)  
 C 8028 (A,135,69) 10 uF(A,B,C,E)

CCSSCH470J50  
 CKSSYB104K10  
 CKSSYB104K10  
 CKSSYB104K10  
 CCG1192

**MISCELLANEOUS**

C 8029 (A,133,68) (A,B,C,E)  
 C 8031 (A,128,72) (A,B,C,E)  
 C 8032 (A,128,73) 10 uF(A,B,C,E)  
 C 8033 (A,134,74) (A,B,C,E)  
 C 8034 (A,134,72) (A,B,C,E)

CKSSYB104K10  
 CKSSYB104K10  
 CCG1192  
 CKSSYB102K50  
 CKSSYB102K50

IC 1002 (B,15,13) Regulator IC  
 IC 1003 (B,40,14) IC  
 IC 1004 (B,64,28) IC  
 IC 1251 (A,12,41) IC  
 IC 1401 (B,28,40) Flash ROM Unit

MM1886A50P  
 S-1200B50-M5  
 NJM2855DL1-33  
 BA5839FP  
 CWW8811

C 8101 (A,160,85)  
 C 8102 (A,159,85)  
 C 8103 (A,149,87)  
 C 8104 (A,158,85)  
 C 8105 (A,155,85)

CKSSYB102K50  
 CKSSYB103K16  
 CKSSYB104K10  
 CKSSYB104K10  
 CKSSYB103K16

IC 1402 (B,46,28) Flash ROM Unit  
 IC 1480 (A,65,30) RAM IC  
 IC 1501 (A,39,33) IC  
 IC 1801 (B,46,10) D/A Converter  
 IC 1953 (B,57,17) IC

CWW8812  
 M12L64164A-5TG2Y  
 MN2DS0018MA  
 PCM1753DBQ  
 S-1135D12-A6

C 8108 (A,146,78)  
 C 8109 (A,152,81)  
 C 8110 (A,152,80)  
 C 8111 (B,161,75)  
 C 8112 (B,161,78)

CCSSCH101J50  
 CKSSYB104K10  
 CKSSYB104K10  
 CKSRYB104K16  
 CKSRYB104K16

Q 1101 (B,13,59) Bipolar Transistor  
 Q 1102 (B,14,56) Bipolar Transistor  
 Q 1103 (B,10,62) Transistor  
 Q 1104 (B,22,54) Transistor  
 L 1501 (A,54,30) Inductor

LSCR523UB  
 LSCR523UB  
 2SB1132  
 2SB1132  
 CTF1743

C 8113 (A,164,86)  
 C 8205 (A,84,116) 10 uF  
 C 8208 (B,54,28) (A,B)  
 C 8501 (A,20,90) (A,B,C,D,E)  
 C 8503 (B,146,91)

CKSRYB104K16  
 CCG1236  
 CKSSYB104K10  
 CKSSYB104K10  
 CKSSYB104K10

L 1511 (A,48,17) Chip Beads  
 L 1902 (A,18,17) Inductor  
 L 1903 (B,64,16) Inductor  
 L 1904 (A,68,18) Resistor  
 X 1501 (B,48,18) Crystal Resonator

VTL1126  
 CTF1487  
 CTF1558  
 RS1/16SS0R0J  
 CSS1823

C 8505 (A,10,90) (A,B,C,D,E)  
 C 8506 (A,46,108)  
 C 8507 (A,41,110)  
 C 8508 (A,39,107)  
 C 8512 (B,48,117) (A,B)

CKSSYB104K10  
 CKSSYB104K10  
 CKSSYB104K10  
 CKSSYB104K10  
 CCSRCH220J50

F 1001 (A,14,19) Chip EMI Filter  
 F 1002 (B,64,18) Chip EMI Filter  
 S 1 (A,47,55) Lever Switch  
 S 3 (B,26,13) Lever Switch  
 VR1101 (A,7,63) Semi-fixed 6.8 kohm(B)

DTF1106  
 DTL1106  
 CSN1090  
 CSN1089  
 CCP1447

C 8517 (A,58,122) (A,B)  
 C 8520 (B,41,117) (A,B)  
 C 8521 (B,44,117) (A,B)  
 C 8522 (B,50,117) (A,B)  
 C 8523 (B,39,117) (A,B)

CKSRYB104K50  
 CCSRCH220J50  
 CCSRCH220J50  
 CCSRCH220J50  
 CCSRCH220J50

VR1102 (A,7,59) Semi-fixed 15 kohm(B)  
 CN1101 (A,21,63) Connector  
 CN1952 (A,42,11) Connector

CCP1449  
 CKS6631  
 CKS6025

**RESISTORS**



Circuit Symbol and No.Part No.Circuit Symbol and No.Part No.

C 1101 (B,15,53) 10 uF  
 C 1104 (B,8,57)  
 C 1105 (B,18,54)

CCG1192  
 CKSSYB104K10  
 CKSSYB104K10

C 1604 (A,30,17)  
 C 1605 (A,30,18)  
 C 1606 (A,35,19)  
 C 1607 (A,20,24) 10 uF

CCSSCH680J50  
 CCSSCH680J50  
 CKSSYB104K10  
 CCG1192

C 1106 (B,8,66)  
 C 1107 (B,26,53)  
 C 1108 (A,20,56)  
 C 1109 (A,7,57)  
 C 1110 (A,18,58)

CKSSYB103K16  
 CKSSYB103K16  
 CKSSYB103K16  
 CKSRYB224K16  
 CKSSYB103K16

C 1608 (A,28,18) 4.7 uF  
 C 1609 (A,26,22)  
 C 1612 (A,24,24)  
 C 1613 (A,25,25)  
 C 1614 (A,23,24)

CCG1201  
 CKSSYB104K10  
 CKSSYB104K10  
 CKSSYB104K10  
 CKSSYB104K10

C 1111 (A,9,66)  
 C 1112 (B,17,52) 22 uF  
 C 1113 (B,9,58) 22 uF  
 C 1210 (B,77,33)  
 C 1251 (B,13,41)

CKSRYB224K16  
 DCH1256  
 DCH1256  
 CKSSYB104K16  
 CEVW101M16

C 1615 (A,23,26)  
 C 1616 (A,25,27)  
 C 1617 (B,27,28)  
 C 1618 (A,23,29)  
 C 1619 (A,23,30)

CKSSYB104K10  
 CKSSYB104K10  
 CKSSYB104K10  
 CCSSCH101J50  
 CKSSYB562K25

C 1252 (B,8,41) 4.7 uF  
 C 1253 (B,8,39)  
 C 1254 (A,6,37)  
 C 1255 (A,19,37)  
 C 1401 (B,34,27)

CCG1222  
 CKSSYB104K16  
 CKSSYB104K16  
 CKSSYB104K16  
 CKSSYB104K16

C 1620 (B,27,30)  
 C 1621 (A,23,31)  
 C 1622 (A,25,31)  
 C 1623 (A,27,20)  
 C 1624 (A,25,32)

CKSSYB224K6R3  
 CKSSYB224K6R3  
 CKSSYB333K16  
 CKSRYB105K10  
 CKSSYB104K10

C 1403 (B,39,40)  
 C 1408 (B,58,27)  
 C 1410 (B,34,29)  
 C 1480 (A,71,19)  
 C 1481 (A,73,22)

CKSSYB104K10  
 CKSSYB104K10  
 CKSSYB104K16  
 CKSSYB104K10  
 CKSSYB104K10

C 1625 (A,25,29)  
 C 1671 (A,42,19)  
 C 1673 (A,37,17)  
 C 1674 (B,42,20)  
 C 1676 (B,38,20)

CKSSYB104K10  
 CKSSYB104K10  
 CKSSYB104K10  
 CKSSYB104K10  
 CKSRYB105K10

C 1482 (A,72,26)  
 C 1484 (A,73,30)  
 C 1485 (A,73,41)  
 C 1487 (A,58,29)  
 C 1488 (A,57,25)

CKSSYB104K10  
 CKSSYB104K10  
 CKSSYB104K10  
 CKSSYB104K10  
 CKSSYB104K10

C 1801 (B,51,10) 4.7 uF  
 C 1802 (B,53,10) 4.7 uF  
 C 1803 (B,50,12)  
 C 1804 (B,53,12)  
 C 1805 (B,47,14)

CCG1201  
 CCG1201  
 CCSRCH182J50  
 CCSRCH182J50  
 CKSSYB104K10

C 1489 (A,65,17) 10 uF  
 C 1490 (A,66,18)  
 C 1501 (B,62,20) 10 uF  
 C 1502 (B,55,19) 10 uF  
 C 1503 (A,54,33)

CCG1192  
 CKSSYB102K50  
 CCG1192  
 CCG1192  
 CKSSYB104K10

C 1806 (B,56,8) 10 uF  
 C 1809 (B,40,17)  
 C 1953 (B,60,17)  
 C 1954 (B,55,17)  
 C 1955 (B,77,40)

CCG1192  
 CKSSYB102K50  
 CKSRYB105K10  
 CKSRYB105K10  
 CKSSYB104K16

C 1504 (A,54,24)  
 C 1505 (A,54,27)  
 C 1506 (B,53,34)  
 C 1507 (A,54,36)  
 C 1508 (A,54,38)

CKSSYB104K10  
 CKSSYB104K10  
 CKSSYB104K10  
 CKSSYB104K10  
 CKSSYB104K10

C 1962 (B,40,20)

CKSRYB105K10

**D****Unit Number:CWN9394****Unit Name:SOC Dual Core Unit**MISCELLANEOUS

IC 4001 (A,44,43) U-PRO IC MCIMX6U6AVM08AB  
 IC 4301 (A,55,72) RAM IC H5TQ4G63AFR-PBC  
 IC 4302 (A,37,72) RAM IC H5TQ4G63AFR-PBC  
 IC 4401 (A,11,60) Flash ROM IC(SOC) CWJ1903  
 IC 4402 (B,23,64) FPGA/PLD IC PE1029B

IC 4403 (B,25,55) IC TC7WU04FU  
 IC 4501 (B,12,39) IC AK8814VQ  
 IC 4701 (B,71,62) IC LTC3612EUDC  
 IC 4721 (B,69,34) IC LTC3612EUDC  
 IC 4741 (B,69,50) IC LTC3612EUDC

IC 4766 (A,31,17) Regulator IC MM3479A30P  
 IC 4791 (A,48,23) IC TC7SH08FUS1  
 IC 4792 (A,48,18) Reset IC PST8429N  
 IC 4793 (A,46,15) IC TC7SH08FUS1  
 IC 4794 (A,43,19) IC TC7SH08FUS1

IC 4796 (A,25,58) Regulator IC MM3479A12P  
 IC 4901 (A,70,26) IC 337S3959

<u>Circuit Symbol and No.</u>		<u>Part No.</u>	<u>Circuit Symbol and No.</u>		<u>Part No.</u>	
IC 4903	(A,30,24)	IC	TC7WBL125AFK	R 4103	(B,14,68)	RS1/16SS220J
Q 4776	(A,64,23)	Chip Transistor	2SB1689	R 4105	(A,27,55)	RS1/16SS103J
Q 4777	(A,64,29)	Resistor Built-IN TR	LTC044EEB	R 4111	(B,16,64)	RS1/16SS472J
Q 4778	(A,28,23)	Resistor Built-IN TR	LTC044EEB	R 4141	(B,58,82)	RS1/16SS103J
L 4501	(B,7,49)	Inductor	ATL7039	R 4151	(A,30,27)	RS1/16SS0R0J
L 4502	(B,9,30)	Inductor	ATL7039	R 4154	(B,67,27)	RS1/16SS0R0J
L 4701	(A,72,59)	SMD Inductor	CTH1500	R 4155	(B,68,27)	RS1/16SS0R0J
L 4721	(A,65,33)	SMD Inductor	CTH1499	R 4157	(A,31,27)	RS1/16SS0R0J
L 4741	(A,70,47)	SMD Inductor	CTH1499	R 4158	(B,31,37)	RAB4CQ471J
L 4901	(B,58,42)	Ferrite Bead	CTF1528	R 4159	(B,31,40)	RAB4CQ471J
L 4909	(A,57,38)	Inductor	CTF1787	R 4160	(B,32,43)	RAB4CQ471J
L 5001	(A,73,22)	Chip Ferrite Bead	BTX1046	R 4162	(B,32,46)	RAB4CQ471J
L 5002	(A,69,19)	Chip Ferrite Bead	VTL1183	R 4163	(A,31,40)	RS1/16SS470J
TH4381	(A,26,72)	Thermistor	CCX1084	R 4164	(B,21,43)	RS1/16SS470J
X 4001	(A,50,28)	Resonator 24 MHz	CSS1773	R 4165	(A,30,40)	RS1/16SS470J
X 4002	(A,46,28)	Resonator 32.768 kHz	CSS1807	R 4186	(A,27,38)	RS1/16SS101J
X 4401	(B,31,55)	Crystal Resonator 14.745 6 MHz	CSS1835	R 4209	(A,25,55)	RS1/16SS103J
X 4901	(B,61,43)	VCXO 11.289 6MHz	CWX4566	R 4213	(A,26,49)	RS1/16SS103J
CN5001	(B,58,20)	B TO B Connector	CKS6499	R 4216	(A,24,46)	RS1/16SS103J
CN5002	(B,21,20)	B TO B Connector	CKS6556	R 4220	(A,22,41)	RS1/16SS103J

**RESISTORS**

R 4001	(A,28,54)	RAB4CQ470J	R 4222	(A,24,41)	RS1/16SS103J
R 4002	(A,28,51)	RAB4CQ470J	R 4222	(A,24,41)	RS1/16SS103J
R 4003	(A,28,48)	RAB4CQ470J	R 4222	(A,24,41)	RS1/16SS103J
R 4004	(A,28,45)	RAB4CQ470J	R 4224	(A,23,38)	RS1/16SS103J
R 4005	(A,28,43)	RAB4CQ470J	R 4226	(A,25,41)	RS1/16SS103J
R 4006	(A,28,41)	RS1/16SS470J	R 4228	(A,23,41)	RS1/16SS103J
R 4007	(A,51,31)	RS1/16SS470J	R 4230	(A,22,38)	RS1/16SS222J
R 4008	(A,6,23)	RS1/16SS0R0J	R 4232	(A,21,38)	RS1/16SS222J
R 4010	(A,35,58)	RS1/16SS0R0J	R 4236	(B,25,39)	RS1/16SS103J
R 4011	(A,26,46)	RS1/16SS103J	R 4237	(B,23,44)	RS1/16SS103J
R 4012	(A,27,52)	RS1/16SS103J	R 4238	(A,57,40)	RS1/16SS0R0J
R 4015	(A,46,31)	RS1/16SS102J	R 4242	(A,6,25)	RS1/16SS101J
R 4017	(A,26,55)	RS1/16SS103J	R 4244	(A,21,41)	RS1/16SS103J
R 4018	(B,51,41)	RS1/16SS0R0J	R 4260	(B,52,13)	RS1/16SS103J
R 4022	(B,19,43)	RS1/16SS330J	R 4261	(B,54,13)	RS1/16SS103J
R 4029	(B,65,10)	RS1/16SS472J	R 4262	(B,64,8)	RS1/16SS103J
R 4054	(A,26,52)	RS1/16SS103J	R 4263	(B,25,30)	RS1/16SS103J
R 4055	(A,26,41)	RS1/16SS103J	R 4264	(B,13,27)	RS1/16SS103J
R 4056	(A,27,41)	RS1/16SS103J	R 4265	(A,15,19)	RS1/16SS103J
R 4057	(A,24,43)	RS1/16SS103J	R 4266	(A,16,19)	RS1/16SS103J
R 4058	(A,25,43)	RS1/16SS103J	R 4268	(B,24,30)	RS1/16SS103J
R 4059	(A,26,43)	RS1/16SS103J	R 4270	(B,51,32)	RS1/16SS103J
R 4060	(A,27,43)	RS1/16SS103J	R 4271	(B,51,30)	RS1/16SS103J
R 4063	(A,24,49)	RS1/16SS103J	R 4272	(A,28,40)	RS1/16SS470J
R 4064	(A,25,49)	RS1/16SS103J	R 4273	(A,40,55)	RS1/16SS2400F
R 4066	(A,27,49)	RS1/16SS103J	R 4274	(B,57,55)	RS1/16SS1001D
R 4067	(A,24,52)	RS1/16SS103J	R 4275	(B,55,55)	RS1/16SS1001D
R 4068	(A,25,52)	RS1/16SS103J	R 4276	(B,35,10)	RS1/16SS103J
R 4070	(A,24,55)	RS1/16SS103J	R 4277	(B,56,47)	RS1/16SS103J
R 4073	(A,25,46)	RS1/16SS103J	R 4278	(B,64,29)	RS1/16SS103J
R 4074	(A,27,46)	RS1/16SS103J	R 4279	(B,25,11)	RS1/16SS103J
R 4081	(A,6,34)	RS1/10SR0R0J	R 4280	(B,31,30)	RS1/16SS103J
R 4084	(A,6,29)	RS1/16SS102J	R 4281	(B,34,11)	RS1/16SS103J
R 4091	(A,48,27)	RS1/16SS225J	R 4282	(B,27,9)	RS1/16SS103J
R 4095	(A,44,24)	RS1/16SS0R0J	R 4283	(B,30,30)	RS1/16SS103J
R 4100	(B,21,42)	RS1/16SS470J	R 4284	(B,47,11)	RS1/16SS103J
R 4101	(B,54,41)	RS1/16SS0R0J	R 4285	(B,62,13)	RS1/16SS103J
			R 4286	(A,44,55)	RS1/16SS0R0J
			R 4287	(A,43,55)	RS1/16SS0R0J
			R 4288	(B,66,27)	RS1/16SS103J
			R 4289	(B,43,6)	RS1/16SS103J

Circuit Symbol and No.Part No.Circuit Symbol and No.Part No.

	R 4290 (B,52,43)	RS1/16SS0R0J	R 4473 (B,25,70)	RS1/16SS0R0J
	R 4291 (A,42,55)	RS1/16SS0R0J	R 4474 (B,24,70)	RS1/16SS0R0J
A	R 4292 (A,41,55)	RS1/16SS0R0J	R 4475 (B,29,62)	RS1/16SS0R0J
	R 4293 (B,46,10)	RS1/16SS104J	R 4476 (B,29,61)	RS1/16SS0R0J
			R 4477 (B,22,70)	RS1/16SS0R0J
	R 4295 (B,27,13)	RS1/16SS103J		
	R 4296 (B,66,8)	RS1/16SS222J	R 4479 (B,19,70)	RS1/16SS0R0J
	R 4297 (B,65,8)	RS1/16SS103J	R 4480 (B,22,71)	RS1/16SS0R0J
	R 4300 (B,26,13)	RS1/16SS103J	R 4481 (B,18,62)	RS1/16SS0R0J
	R 4302 (B,47,10)	RS1/16SS104J	R 4502 (B,18,42)	RS1/16SS103J
			R 4503 (B,23,33)	RS1/16SS101J
	R 4303 (A,22,52)	RS1/16SS101J		
	R 4307 (B,55,72)	RS1/16SS1200D	R 4504 (B,22,33)	RS1/16SS101J
	R 4308 (B,37,72)	RS1/16SS1200D	R 4505 (B,19,41)	RS1/16SS103J
	R 4309 (B,52,73)	RS1/16SS2400F	R 4507 (B,18,39)	RS1/16SS221J
B	R 4310 (B,33,73)	RS1/16SS2400F	R 4508 (B,18,36)	RS1/16SS221J
			R 4510 (B,12,31)	RS1/16SS6801D
	R 4314 (B,58,81)	RS1/16SS102J		
	R 4315 (B,40,81)	RS1/16SS102J	R 4511 (B,21,39)	RS1/16SS101J
	R 4317 (B,21,4)	RS1/16SS0R0J	R 4512 (B,6,42)	RS1/16SS103J
	R 4381 (A,26,73)	RS1/16SS1802D	R 4513 (B,17,34)	RS1/10SR0R0J
	R 4401 (A,8,47)	RS1/16SS102J	R 4514 (B,17,29)	RS1/10SR0R0J
			R 4515 (B,17,32)	RS1/10SR0R0J
	R 4402 (A,13,71)	RS1/16SS0R0J		
	R 4403 (A,12,48)	RS1/16SS0R0J	R 4525 (B,6,67)	RS1/16SS0R0J
	R 4404 (B,29,56)	RS1/16SS102J	R 4529 (B,6,46)	RS1/16SS0R0J
	R 4405 (B,29,54)	RS1/16SS105J	R 4540 (B,7,68)	RS1/16SS220J
	R 4407 (B,16,63)	RS1/16SS471J	R 4543 (A,15,33)	RS1/16SS101J
C			R 4544 (A,14,33)	RS1/16SS101J
	R 4411 (B,22,57)	RS1/16SS220J		
	R 4412 (B,26,58)	RS1/16SS102J	R 4545 (A,13,33)	RS1/16SS101J
	R 4413 (A,16,72)	RS1/16SS0R0J	R 4546 (A,12,33)	RS1/16SS101J
	R 4415 (A,27,62)	RS1/16SS0R0J	R 4547 (A,9,37)	RS1/16SS101J
	R 4416 (A,19,57)	RS1/16SS0R0J	R 4548 (A,9,36)	RS1/16SS101J
			R 4549 (A,9,35)	RS1/16SS101J
	R 4417 (A,17,73)	RS1/16SS472J		
	R 4418 (A,17,74)	RS1/16SS472J	R 4550 (A,9,34)	RS1/16SS101J
	R 4420 (A,21,67)	RS1/16SS101J	R 4702 (A,75,64)	RS1/8SQ0R0J
	R 4421 (A,22,62)	RS1/16SS101J	R 4704 (A,66,60)	RS1/8SQ0R0J
	R 4445 (B,20,46)	RAB4CQ101J	R 4705 (B,70,59)	RS1/16SS220J
			R 4706 (B,66,59)	RS1/16SS105J
D	R 4446 (B,20,49)	RAB4CQ101J		
	R 4447 (B,14,69)	RS1/16SS103J	R 4707 (B,65,59)	RS1/16SS105J
	R 4448 (A,26,69)	RS1/16SS0R0J	R 4708 (B,65,61)	RS1/16SS2201D
	R 4449 (B,7,68)	RS1/16SS0R0J	R 4709 (B,68,65)	RS1/16SS0R0J
	R 4450 (B,6,66)	RS1/16SS330J	R 4710 (B,65,62)	RS1/16SS1003D
			R 4711 (B,67,63)	RS1/16SS183J
	R 4451 (B,16,64)	RS1/16SS0R0J		
	R 4452 (B,14,64)	RS1/16SS561J	R 4713 (B,68,66)	RS1/16SS1002D
	R 4453 (B,7,63)	RS1/16SS561J	R 4714 (B,67,66)	RS1/16SS1503D
	R 4454 (B,6,64)	RS1/16SS561J	R 4715 (B,66,62)	RS1/16SS1503D
	R 4455 (B,14,57)	RS1/16SS220J	R 4716 (A,66,62)	RS1/16SS0R0J
			R 4717 (B,68,59)	RS1/16SS0R0J
E	R 4456 (B,6,55)	RS1/16SS220J		
	R 4457 (B,12,51)	RS1/16SS220J	R 4721 (A,67,39)	RS1/8SQ0R0J
	R 4458 (B,13,51)	RS1/16SS220J	R 4722 (A,71,30)	RS1/8SQ0R0J
	R 4459 (B,16,55)	RS1/16SS220J	R 4723 (A,65,39)	RS1/8SQ0R0J
	R 4460 (B,16,53)	RS1/16SS220J	R 4724 (B,66,35)	RS1/16SS220J
			R 4725 (B,66,39)	RS1/16SS105J
	R 4461 (B,16,52)	RS1/16SS220J		
	R 4462 (B,14,52)	RS1/16SS220J	R 4726 (B,66,40)	RS1/16SS105J
	R 4463 (B,28,49)	RS1/16SS0R0J	R 4727 (B,67,40)	RS1/16SS2702D
	R 4464 (B,28,48)	RS1/16SS0R0J	R 4728 (B,72,37)	RS1/16SS105J
	R 4465 (B,28,47)	RS1/16SS0R0J	R 4729 (B,71,41)	RS1/16SS1503D
			R 4730 (B,73,37)	RS1/16SS1002D
	R 4466 (B,28,46)	RS1/16SS0R0J		
	R 4467 (B,28,45)	RS1/16SS0R0J	R 4731 (B,74,39)	RS1/16SS1503D
F	R 4468 (B,28,45)	RS1/16SS0R0J	R 4732 (B,68,39)	RS1/16SS1203D
	R 4469 (B,28,44)	RS1/16SS0R0J	R 4733 (A,69,39)	RS1/16SS0R0J
	R 4470 (B,28,43)	RS1/16SS0R0J	R 4734 (B,70,39)	RS1/16SS223J
			R 4735 (A,72,40)	RS1/10SR102J

<u>Circuit Symbol and No.</u>		<u>Part No.</u>	<u>Circuit Symbol and No.</u>		<u>Part No.</u>
R 4736	(B,66,37)	RS1/16SS0R0J	R 4915	(A,41,24)	RS1/16SS0R0J
R 4737	(B,69,40)	RS1/16SS4703D	R 4916	(B,36,5)	RS1/16SS0R0J
R 4738	(B,64,27)	RS1/16SS103J	R 4918	(A,33,24)	RS1/16SS0R0J
R 4739	(B,71,44)	RS1/16SS0R0J	R 4934	(B,33,48)	RS1/16SS0R0J
R 4741	(A,65,48)	RS1/8SQ0R0J	R 4937	(A,25,11)	RS1/16SS103J
			R 4938	(A,24,11)	RS1/16SS103J
R 4742	(A,73,51)	RS1/8SQ0R0J			
R 4743	(A,65,46)	RS1/8SQ0R0J	R 4939	(A,23,11)	RS1/16SS103J
R 4744	(B,69,46)	RS1/16SS220J	R 4941	(B,55,40)	RS1/16SS431J
R 4745	(B,65,47)	RS1/16SS105J	R 4942	(B,54,43)	RS1/16SS102J
R 4746	(B,63,47)	RS1/16SS105J	R 4945	(B,26,37)	RS1/16SS103J
			R 4946	(A,28,11)	RS1/16SS102J
R 4747	(B,63,48)	RS1/16SS2702D			
R 4749	(B,63,52)	RS1/16SS1503D	R 5003	(B,64,27)	RS1/16SS0R0J
R 4750	(B,67,54)	RS1/16SS1002D	R 5004	(B,65,27)	RS1/16SS0R0J
R 4751	(B,65,54)	RS1/16SS1503D	R 5006	(B,23,13)	RS1/16SS0R0J
R 4752	(B,65,49)	RS1/16SS1203D	R 5007	(B,15,13)	RS1/16SS471J
			R 5008	(B,28,13)	RS1/16SS151J
R 4753	(A,64,50)	RS1/16SS0R0J			
R 4754	(B,65,51)	RS1/16SS223J	R 5009	(B,13,13)	RS1/16SS471J
R 4755	(A,64,53)	RS1/10SR102J	R 5012	(B,43,12)	RS1/16SS0R0J
R 4756	(B,67,47)	RS1/16SS0R0J	R 5013	(B,44,12)	RS1/16SS0R0J
R 4757	(B,63,50)	RS1/16SS4703D	R 5014	(B,45,12)	RS1/16SS0R0J
			R 5015	(B,46,12)	RS1/16SS0R0J
R 4758	(B,73,39)	RS1/16SS0R0J			
R 4759	(B,61,52)	RS1/16SS0R0J	R 5016	(B,47,12)	RS1/16SS0R0J
R 4767	(A,38,16)	RS1/10SR0R0J	R 5017	(A,42,30)	RS1/16SS0R0J
R 4768	(B,37,10)	RS1/10SR0R0J	R 5020	(B,24,13)	RS1/16SS560J
R 4769	(A,26,16)	RS1/16SS0R0J	R 5021	(B,24,27)	RS1/16SS0R0J
			R 5022	(B,25,27)	RS1/16SS0R0J
R 4772	(A,41,12)	RS1/16SS103J			
R 4773	(A,33,6)	RS1/10SR0R0J	R 5023	(B,26,27)	RS1/16SS101J
R 4775	(A,41,13)	RS1/16SS0R0J	R 5024	(B,26,30)	RS1/16SS121J
R 4776	(A,64,27)	RS1/10SR332J	R 5025	(B,27,28)	RS1/16SS121J
R 4777	(A,64,26)	RS1/10SR332J	R 5026	(B,64,12)	RS1/16SS121J
			R 5027	(B,63,12)	RS1/16SS680J
R 4778	(A,27,18)	RS1/16SS103J			
R 4779	(A,28,26)	RS1/16SS103J	R 5028	(B,65,12)	RS1/16SS121J
R 4780	(A,28,26)	RS1/16SS101J	R 5029	(A,18,45)	RS1/16SS102J
R 4790	(A,51,22)	RS1/16SS101J	R 5030	(A,19,52)	RS1/16SS102J
R 4791	(A,47,25)	RS1/16SS101J	R 5031	(A,17,45)	RS1/16SS102J
			R 5032	(B,17,13)	RS1/16SS560J
R 4792	(A,51,17)	RS1/16SS0R0J			
R 4793	(A,42,16)	RS1/16SS0R0J	R 5033	(B,19,13)	RS1/16SS221J
R 4794	(A,50,15)	RS1/16SS103J	R 5034	(B,60,13)	RS1/16SS681J
R 4795	(A,47,21)	RS1/16SS683J	R 5036	(B,49,13)	RS1/16SS101J
R 4798	(A,44,17)	RS1/16SS104J	R 5037	(B,14,27)	RS1/16SS101J
			R 5040	(A,11,21)	RS1/16SS681J
R 4799	(A,46,21)	RS1/16SS0R0J			
R 4800	(A,45,19)	RS1/16SS0R0J	R 5041	(A,12,21)	RS1/16SS681J
R 4801	(A,45,13)	RS1/16SS0R0J	R 5042	(A,10,21)	RS1/16SS471J
R 4802	(A,44,23)	RS1/16SS0R0J	R 5043	(A,9,21)	RS1/16SS0R0J
R 4803	(A,52,25)	RS1/16SS101J	R 5044	(A,8,21)	RS1/16SS471J
			R 5045	(A,66,20)	RS1/16SS0R0J
R 4804	(A,51,23)	RS1/16SS103J			
R 4805	(A,45,25)	RS1/16SS103J	R 5046	(B,56,13)	RS1/16SS0R0J
R 4845	(A,66,58)	RS1/8SQ0R0J	R 5047	(B,58,13)	RS1/16SS680J
R 4901	(A,41,30)	RS1/16SS103J	R 5048	(B,53,46)	RS1/16SS331J
R 4902	(A,72,25)	RS1/16SS222J	R 5049	(B,55,46)	RS1/16SS331J
			R 5053	(B,10,27)	RS1/16SS560J
R 4903	(A,38,30)	RS1/16SS470J			
R 4904	(A,66,27)	RS1/16SS222J	R 5054	(B,9,27)	RS1/16SS560J
R 4905	(A,66,26)	RS1/16SS221J	R 5055	(B,13,27)	RS1/16SS560J
R 4906	(A,66,26)	RS1/16SS103J	R 5056	(B,12,27)	RS1/16SS560J
R 4907	(A,66,24)	RS1/16SS0R0J	R 5057	(B,10,27)	RS1/16SS560J
			R 5059	(B,32,12)	RS1/16SS560J
R 4911	(A,57,36)	RS1/16SS151J			
R 4912	(B,63,41)	RS1/16SS0R0J	R 5060	(B,33,12)	RS1/16SS560J
R 4913	(B,61,41)	RS1/16SS0R0J	R 5061	(B,29,12)	RS1/16SS560J
R 4914	(A,37,30)	RS1/16SS750J	R 5062	(B,30,12)	RS1/16SS560J

**Circuit Symbol and No.****Part No.****Circuit Symbol and No.****Part No.**

R 5063 (B,27,11)  
R 5064 (B,34,12)

RS1/16SS0R0J  
RS1/16SS0R0J

C 4006 (B,51,36)  
C 4007 (B,53,38) 2.2 uF  
C 4008 (B,51,38)  
C 4009 (B,41,36)  
C 4010 (B,35,30) 10 uF

CKSSYB104K10  
CCG1218  
CKSSYB104K10  
CKSSYB104K10  
CCG1192

A

R 5065 (B,31,12)  
R 5090 (B,58,27)  
R 5099 (B,18,28)  
R 5100 (B,54,47)  
R 5101 (A,57,43)

RS1/16SS560J  
RS1/16SS0R0J  
RS1/16SS0R0J  
RS1/16SS331J  
RS1/16SS680J

C 4011 (B,40,36)  
C 4012 (B,39,36)  
C 4013 (B,45,33) 10 uF  
C 4014 (B,46,34)  
C 4015 (B,47,38)

CKSSYB104K10  
CKSSYB104K10  
CCG1192  
CKSSYB104K10  
CKSSYB104K10

R 5102 (A,20,50)  
R 5103 (B,23,27)  
R 5104 (A,22,47)  
R 5105 (A,22,49)  
R 5106 (A,21,50)

RS1/16SS680J  
RS1/16SS560J  
RS1/16SS680J  
RS1/16SS680J  
RS1/16SS680J

C 4016 (B,47,40)  
C 4017 (B,47,43)  
C 4018 (B,47,44)  
C 4019 (B,45,39)  
C 4020 (B,44,41)

CKSSYB104K10  
CKSSYB104K10  
CKSSYB104K10  
CKSSYB104K10  
CKSSYB104K10

B

R 5107 (B,21,10)  
R 5114 (B,28,28)  
R 5115 (B,28,30)  
R 5116 (B,31,27)  
R 5117 (B,32,27)

RS1/16SS101J  
RS1/16SS101J  
RS1/16SS101J  
RS1/16SS0R0J  
RS1/16SS0R0J

C 4021 (B,44,42)  
C 4022 (B,44,43)  
C 4023 (B,39,38)  
C 4024 (B,39,41)  
C 4025 (B,39,44)

CKSSYB104K10  
CKSSYB104K10  
CKSSYB104K10  
CKSSYB104K10  
CKSSYB104K10

R 5119 (B,25,13)  
R 5121 (B,35,27)  
R 5122 (B,35,29)  
R 5125 (A,66,22)  
R 5126 (A,66,21)

RS1/16SS101J  
RS1/10SR0R0J  
RS1/10SR0R0J  
RS1/16SS222J  
RS1/16SS222J

C 4026 (B,51,38)  
C 4027 (B,51,40)  
C 4029 (B,41,40)  
C 4030 (B,49,41) 1 uF  
C 4031 (B,42,45)

CKSSYB104K10  
CKSSYB104K10  
CKSSYB104K10  
DCH1246  
CKSSYB104K10

C

R 5127 (B,63,10)  
R 5128 (B,64,10)  
R 5129 (B,22,11)  
R 5130 (B,37,31)  
R 5131 (B,38,28)

RS1/16SS182J  
RS1/16SS182J  
RS1/16SS101J  
RS1/16SS103J  
RS1/16SS103J

C 4034 (B,50,43)  
C 4037 (B,42,38)  
C 4038 (B,40,43) 1 uF  
C 4039 (B,38,45)  
C 4040 (B,46,46)

CKSSYB104K10  
CKSSYB104K10  
DCH1246  
CKSSYB104K10  
CKSSYB104K10

R 5132 (A,12,19)  
R 5315 (A,17,82)  
R 5316 (A,17,83)  
R 5317 (A,17,83)  
R 5318 (A,17,84)

RS1/16SS0R0J  
RS1/16SS0R0J  
RS1/16SS0R0J  
RS1/16SS0R0J  
RS1/16SS0R0J

C 4041 (B,38,44)  
C 4042 (B,49,46)  
C 4043 (B,47,46)  
C 4044 (B,42,46)  
C 4045 (B,40,46)

CKSSYB104K10  
CKSSYB104K10  
CKSSYB104K10  
CKSSYB104K10  
CKSSYB104K10

R 5326 (A,65,84)  
R 5327 (A,65,83)  
R 5328 (A,65,82)  
R 5329 (A,65,81)  
R 5351 (A,6,15)

RS1/16SS0R0J  
RS1/16SS0R0J  
RS1/16SS0R0J  
RS1/16SS0R0J  
RS1/16SS0R0J

C 4047 (B,50,48)  
C 4048 (B,46,48)  
C 4050 (B,43,48)  
C 4051 (B,45,42) 22 uF  
C 4052 (B,44,46) 22 uF

CKSSYB104K10  
CKSSYB104K10  
CKSSYB104K10  
DCH1256  
CCG1254

R 5352 (A,6,15)  
R 5353 (A,7,15)  
R 5354 (A,8,15)  
R 5355 (A,9,15)  
R 5356 (A,10,15)

RS1/16SS0R0J  
RS1/16SS0R0J  
RS1/16SS0R0J  
RS1/16SS0R0J  
RS1/16SS0R0J

C 4053 (B,37,36) 22 uF  
C 4054 (B,53,32) 10 uF  
C 4055 (B,51,35)  
C 4056 (A,37,14) 10 uF  
C 4057 (B,37,48) 10 uF

CCG1254  
CCG1192  
CKSSYB104K10  
CCG1192  
CCG1192

R 5357 (A,11,15)  
R 5358 (A,12,15)  
R 5359 (A,13,15)  
R 5360 (A,14,15)  
R 5361 (A,15,15)

RS1/16SS0R0J  
RS1/16SS0R0J  
RS1/16SS0R0J  
RS1/16SS0R0J  
RS1/16SS0R0J

C 4058 (B,39,45)  
C 4059 (B,48,48)  
C 4062 (B,57,53)  
C 4063 (B,55,53)  
C 4064 (B,45,35) 10 uF

CKSSYB104K10  
CKSSYB104K10  
CKSSYB104K10  
CKSSYB104K10  
CCG1192

R 5362 (A,15,15)  
R 5376 (A,60,15)  
R 5377 (A,59,15)  
R 5378 (A,58,15)  
R 5379 (A,57,15)

RS1/16SS0R0J  
RS1/16SS0R0J  
RS1/16SS0R0J  
RS1/16SS0R0J  
RS1/16SS0R0J

C 4065 (B,39,39)  
C 4066 (B,49,40)  
C 4067 (B,49,38)  
C 4068 (B,41,39)  
C 4069 (B,42,41) 1 uF

CKSSYB104K10  
CKSSYB104K10  
CKSSYB104K10  
CKSSYB104K10  
DCH1246

**CAPACITORS**

C 4001 (A,52,27)  
C 4002 (A,48,29)  
C 4003 (A,44,29)  
C 4004 (A,44,27)  
C 4005 (B,53,36) 10 uF

CCSSCJ3R0C50  
CCSSCH4R0C50  
CCSSCH180J50  
CCSSCH8R0D50  
CCG1192

C 4070 (B,46,37)  
C 4071 (B,48,33)  
C 4072 (B,41,31) 10 uF  
C 4073 (B,45,31) 10 uF  
C 4075 (B,42,36)

CKSSYB104K10  
CKSSYB104K10  
CCG1192  
CCG1192  
CKSSYB104K10

F

<u>Circuit Symbol and No.</u>		<u>Part No.</u>	<u>Circuit Symbol and No.</u>		<u>Part No.</u>
C 4076	(B,36,40) 10 uF	CCG1192	C 4354	(B,41,74)	CKSSYB104K10
C 4077	(B,55,49) 10 uF	CCG1192	C 4355	(B,31,69)	CKSSYB104K10
C 4078	(B,50,36)	CKSSYB104K10	C 4356	(B,52,74)	CKSSYB104K10
C 4079	(A,44,25)	CCSSCH101J50	C 4357	(B,40,81)	CKSSYB103K16
C 4080	(B,53,51)	CKSSYB104K10	C 4358	(B,58,81)	CKSSYB103K16
			C 4361	(B,31,71)	CKSSYB104K10
C 4087	(B,44,38) 22 uF	DCH1256			
C 4301	(B,61,66)	CKSSYB104K10	C 4362	(B,34,72)	CKSSYB104K10
C 4302	(A,61,66)	CKSSYB104K10	C 4363	(B,31,77)	CKSSYB104K10
C 4303	(B,52,63)	CKSSYB104K10	C 4364	(B,39,73)	CKSSYB104K10
C 4304	(B,52,64)	CKSSYB104K10	C 4381	(A,28,73)	CKSSYB104K10
			C 4382	(A,26,71)	CKSSYB104K10
C 4305	(B,51,67)	CKSSYB104K10			
C 4306	(A,50,67)	CKSSYB104K10	C 4401	(A,11,48)	CKSSYB471K50
C 4307	(A,50,69)	CKSSYB104K10	C 4402	(A,7,71)	CKSSYB104K10
C 4308	(A,50,71)	CKSSYB104K10	C 4403	(A,11,71)	CKSSYB103K16
C 4309	(B,53,67) 4.7 uF	CCG1201	C 4404	(B,32,52)	CCSSCH8R0D50
			C 4405	(B,31,57)	CCSSCH8R0D50
C 4310	(B,53,70)	CKSSYB104K10			
C 4311	(A,61,68)	CKSSYB104K10	C 4406	(B,23,58)	CKSSYB103K16
C 4312	(B,60,70)	CKSSYB104K10	C 4412	(A,23,64)	CKSSYB103K16
C 4313	(B,58,71)	CKSSYB104K10	C 4413	(A,20,68)	CKSSYB103K16
C 4314	(A,61,75)	CKSSYB104K10	C 4414	(A,21,65)	CKSSYB103K16
			C 4415	(A,21,63)	CKSSYB103K16
C 4315	(A,61,77)	CKSSYB104K10			
C 4316	(B,61,77)	CKSSYB104K10	C 4416	(A,21,66)	CKSSYB103K16
C 4317	(B,59,77) 4.7 uF	CCG1201	C 4417	(A,20,63)	CKSSYB103K16
C 4318	(A,50,75)	CKSSYB104K10	C 4418	(A,18,63)	CKSSYB103K16
C 4319	(B,51,75)	CKSSYB104K10	C 4419	(A,18,63)	CKSSYB103K16
			C 4420	(A,18,64)	CKSSYB103K16
C 4320	(A,50,77)	CKSSYB104K10			
C 4321	(B,61,68)	CKSSYB104K10	C 4421	(A,18,65)	CKSSYB103K16
C 4322	(B,61,70)	CKSSYB104K10	C 4422	(A,20,67)	CKSSYB103K16
C 4323	(B,58,73)	CKSSYB104K10	C 4423	(A,27,65)	CKSSYB103K16
C 4324	(B,61,75)	CKSSYB104K10	C 4424	(B,28,65)	CKSSYB103K16
			C 4425	(A,26,67)	CKSSYB103K16
C 4325	(A,42,66)	CKSSYB104K10			
C 4326	(B,41,66)	CKSSYB104K10	C 4426	(A,19,67)	CKSSYB103K16
C 4327	(B,34,62)	CKSSYB104K10	C 4427	(A,18,59)	CKSSYB104K10
C 4328	(B,34,64)	CKSSYB104K10	C 4428	(A,18,58) 1 uF	DCH1246
C 4329	(A,31,67)	CKSSYB104K10	C 4429	(A,27,63) 1 uF	DCH1246
			C 4430	(A,27,63)	CKSSYB104K10
C 4330	(B,31,67)	CKSSYB104K10			
C 4331	(A,31,69)	CKSSYB104K10	C 4431	(A,18,60)	CKSSYB103K16
C 4332	(A,31,71)	CKSSYB104K10	C 4432	(A,27,64)	CKSSYB103K16
C 4333	(B,29,69) 4.7 uF	CCG1201	C 4433	(B,27,58)	CKSSYB471K50
C 4334	(B,35,70)	CKSSYB104K10	C 4435	(A,23,66)	CKSSYB104K10
			C 4436	(A,25,66) 10 uF	CCG1192
C 4335	(A,42,67)	CKSSYB104K10			
C 4336	(A,42,70)	CKSSYB104K10	C 4437	(A,24,62)	CKSSYB104K10
C 4337	(B,39,71)	CKSSYB104K10	C 4438	(A,25,63) 10 uF	CCG1192
C 4338	(B,51,69)	CKSSYB104K10	C 4439	(B,27,59)	CKSSYB103K16
C 4339	(B,51,71)	CKSSYB104K10	C 4501	(B,12,45)	CKSSYB104K10
			C 4502	(B,6,40)	CKSSYB104K10
C 4340	(A,44,71)	CKSSYB104K10			
C 4341	(B,53,74)	CKSSYB104K10	C 4503	(B,6,38)	CKSSYB104K10
C 4342	(B,51,77)	CKSSYB104K10	C 4504	(B,12,33)	CKSSYB103K16
C 4343	(B,41,67)	CKSSYB104K10	C 4505	(B,15,33)	CKSSYB103K16
C 4344	(B,41,70)	CKSSYB104K10	C 4506	(B,14,30) 10 uF	CCG1192
			C 4507	(B,14,32)	CKSSYB103K16
C 4345	(B,34,75)	CKSSYB104K10			
C 4346	(B,31,75)	CKSSYB104K10	C 4508	(B,19,37)	CKSSYB103K16
C 4347	(A,31,75)	CKSSYB104K10	C 4509	(B,9,32) 10 uF	CCG1192
C 4348	(A,31,77)	CKSSYB104K10	C 4510	(B,16,44)	CKSSYB102K50
C 4349	(A,42,75)	CKSSYB104K10	C 4511	(B,7,44) 10 uF	CCG1192
			C 4516	(B,19,40)	CCSSCH101J50
C 4350	(A,42,77)	CKSSYB104K10			
C 4351	(B,41,77)	CKSSYB104K10	C 4704	(B,68,57)	CKSRYB105K10
C 4352	(B,40,75) 4.7 uF	CCG1201	C 4706	(B,67,64)	CCSSCH470J50
C 4353	(A,62,71)	CKSSYB104K10	C 4707	(B,65,64)	CKSSYB471K50

**Circuit Symbol and No.****Part No.****Circuit Symbol and No.****Part No.**

C 4708 (A,72,64) 47 uF  
C 4709 (A,69,64) 100 uF

CCG1229  
CCG1232

IC 3201 (A,105,17) DC/DC Converter IC R1290K103A  
Q 2701 (B,110,47) Chip Transistor HN1C01FU  
Q 2702 (B,113,52) Bipolar Transistor LSCR523UB  
Q 3001 (B,19,41) Bipolar Transistor LSAR523UB

A

C 4711 (B,65,61) CCSSCH220J50  
C 4712 (B,74,63) CKSSYB103K16  
C 4722 (B,64,36) CKSRYB105K10  
C 4723 (B,72,39) CKSSYB103K16  
C 4724 (B,71,39) CCSSCH470J50

Q 3002 (A,18,39) Bipolar Transistor LSCR523UB  
Q 3201 (A,108,26) Transistor 2SAR502UB  
Q 3202 (A,111,13) Schottky Diode LTC024EEB  
Q 3301 (A,58,16) Bipolar Transistor LSAR523UB  
D 3101 (A,107,60) Diode RB060M-30

C 4725 (B,71,40) CKSSYB471K50  
C 4726 (A,71,33) 47 uF CCG1229  
C 4727 (A,71,36) 100 uF CCG1232  
C 4729 (B,68,40) CCSSCH220J50  
C 4730 (B,70,31) CKSSYB103K16

D 3201 (B,107,16) Schottky Diode DB3S308F0  
D 3202 (B,102,23) Schottky Diode DB3S308F0  
D 3203 (B,104,23) Schottky Diode DB3S308F0  
D 3204 (A,96,22) Schottky Diode RB162M-40  
L 2801 (B,68,37) Chip Beads VTL1127

B

C 4742 (B,67,45) CKSRYB105K10  
C 4744 (B,65,52) CCSSCH470J50  
C 4745 (B,64,52) CKSSYB471K50  
C 4746 (A,71,52) 47 uF CCG1229  
C 4747 (A,68,52) 100 uF CCG1232

L 2802 (B,67,37) Chip Beads VTL1127  
L 2803 (B,65,36) Chip Beads VTL1127  
L 2804 (B,63,36) Chip Beads VTL1127  
L 2805 (B,65,37) Chip Beads VTL1127  
L 2806 (B,63,38) Chip Beads VTL1127

C 4749 (B,63,49) CCSSCH220J50  
C 4750 (B,73,51) CKSSYB103K16  
C 4766 (A,37,17) 4.7 uF CCG1201  
C 4767 (A,35,16) 4.7 uF CCG1201  
C 4768 (A,27,16) CKSSYB473K16

L 2807 (B,61,41) Chip Beads VTL1127  
L 2808 (B,65,40) Chip Beads VTL1127  
L 2809 (B,60,43) Chip Beads VTL1127  
L 2810 (B,60,44) Chip Beads VTL1127  
L 2811 (B,60,45) Chip Beads VTL1127

C

C 4776 (A,66,23) CKSSYB104K10  
C 4778 (A,28,25) CKSSYB473K16  
C 4790 (A,48,21) CCSSCH101J50  
C 4791 (A,46,23) CKSSYB104K10  
C 4792 (A,45,18) CKSSYB104K10

L 2812 (B,60,46) Chip Beads VTL1127  
L 2813 (B,58,48) Chip Beads VTL1127  
L 2814 (B,58,49) Chip Beads VTL1127  
L 2815 (B,58,50) Chip Beads VTL1127  
L 2816 (B,58,51) Chip Beads VTL1127

C 4793 (A,51,19) CKSSYB222K50  
C 4794 (A,44,14) CKSSYB104K10  
C 4796 (A,20,58) 4.7 uF CCG1201  
C 4797 (A,21,55) 4.7 uF CCG1201  
C 4798 (A,44,22) CKSSYB104K10

L 2817 (B,58,52) Chip Beads VTL1127  
L 2818 (B,58,53) Chip Beads VTL1127  
L 2819 (B,58,54) Chip Beads VTL1127  
L 2820 (B,58,55) Chip Beads VTL1127  
L 2821 (B,58,56) Chip Beads VTL1127

D

C 4799 (A,50,25) CCSSCH101J50  
C 4800 (A,28,59) CKSSYB473K16  
C 4901 (A,41,22) 1 uF DCH1246  
C 4902 (B,59,42) CKSSYB104K10  
C 4903 (A,68,24) CKSSYB104K10

L 2822 (A,73,53) Chip Solid Inductor XTL3010  
L 2823 (A,67,51) Chip Solid Inductor XTL3010  
L 2829 (A,73,56) Chip Ferrite Bead BTX1047  
L 2830 (B,73,41) Chip Beads VTL1127  
L 2831 (B,72,41) Chip Beads VTL1127

C 4904 (A,66,25) CKSSYB102K50  
C 4914 (B,60,45) CKSSYB103K16  
C 4915 (A,32,24) CKSSYB104K10  
C 4933 (A,57,35) CCSSCH101J50  
C 5001 (A,74,21) 22 uF DCH1256

L 2832 (B,72,35) Chip Beads VTL1127  
L 2833 (B,71,37) Chip Beads VTL1127  
L 2834 (B,70,37) Chip Beads VTL1127  
L 2835 (B,69,38) Chip Beads VTL1127  
L 3001 (A,41,45) Inductor CTF1734

C 5003 (A,69,16) 22 uF DCH1256  
C 5007 (B,41,10) CKSRYB102K50

L 3002 (A,42,45) Inductor CTF1734  
L 3003 (A,41,46) Inductor CTF1734  
L 3004 (A,41,48) Inductor CTF1734  
L 3005 (A,42,50) Inductor CTF1734  
L 3006 (A,41,50) Inductor CTF1734

E

**Unit Number:CWN9133(A,C,E)****Unit Number:CWN9134(B,D,F,G)****Unit Name:Monitor Unit**

L 3007 (A,47,45) Inductor CTF1734  
L 3008 (A,48,44) Inductor CTF1734  
L 3009 (A,48,49) Inductor CTF1734  
L 3010 (A,49,47) Inductor CTF1734  
L 3011 (A,49,49) Inductor CTF1734

**MISCELLANEOUS**

IC 2701 (A,102,46) Interface IC(B,D,F,G) AK4187VN  
IC 2801 (B,36,69) Regulator IC MM3411A15N  
IC 2802 (B,36,75) Regulator IC MM3411A25N  
IC 2803 (B,68,48) Interface IC BU90R104  
IC 2804 (B,57,74) Regulator IC(A,C,E) MM3411A33N  
IC 3001 (A,32,51) Display IC TC90193SBG

L 3012 (A,41,55) Inductor CTF1734  
L 3013 (A,42,44) Inductor CTF1734  
L 3014 (A,42,43) Inductor CTF1734  
L 3015 (A,41,41) Inductor CTF1734  
L 3016 (A,40,41) Inductor CTF1734

IC 3101 (A,107,72) Driver IC BD81A04EFV

<u>Circuit Symbol and No.</u>		<u>Part No.</u>	<u>Circuit Symbol and No.</u>		<u>Part No.</u>
L 3017	(A,39,41) Inductor	CTF1734	R 2806	(B,60,38)	RS1/16SS221J
L 3018	(A,37,42) Inductor	CTF1734	R 2807	(B,59,42)	RS1/16SS221J
L 3019	(A,36,42) Inductor	CTF1734	R 2808	(B,62,40)	RS1/16SS221J
L 3020	(A,35,42) Inductor	CTF1734	R 2809	(B,59,43)	RS1/16SS221J
L 3021	(A,31,43) Inductor	CTF1740			
			R 2810	(B,58,44)	RS1/16SS221J
L 3022	(A,30,43) Inductor	CTF1734	R 2811	(B,58,45)	RS1/16SS221J
L 3023	(A,29,41) Inductor	CTF1734	R 2812	(B,57,46)	RS1/16SS221J
L 3024	(A,28,41) Inductor	CTF1734	R 2813	(B,56,48)	RS1/16SS221J
L 3025	(B,11,44) Inductor	CTF1545	R 2814	(B,56,49)	RS1/16SS221J
L 3104	(A,106,65) Inductor	CTF1545			
			R 2815	(B,56,50)	RS1/16SS221J
L 3105	(A,100,62) SMD Inductor	CTH1558	R 2816	(B,56,51)	RS1/16SS221J
L 3201	(A,103,23) Choke Coil 22 uH	CTH1426	R 2817	(B,56,52)	RS1/16SS221J
L 3301	(A,69,19) Inductor	ATL7054	R 2818	(B,56,53)	RS1/16SS221J
L 3302	(B,43,35) Inductor	CTF1635	R 2819	(B,56,54)	RS1/16SS221J
TH3301	(A,132,20) Thermistor	CCX1084			
			R 2820	(B,56,55)	RS1/16SS221J
X 3001	(A,18,48) Resonator 27.000 MHz	CSS1768	R 2821	(B,56,56)	RS1/16SS221J
CN2701	(A,129,55) Connector	CKS6601	R 2822	(B,76,49)	RS1/16SS103J
CN2704	(A,59,68) Connector	CKS6646	R 2824	(B,69,56)	RS1/16SS1000D
CN2705	(A,123,17) FFC/FPC Connector(B,D,F,G)	CKS6625	R 2825	(B,67,57)	RS1/16SS1000D
CN2706	(A,82,25) Connector(A,C,E)	CKS6589			
			R 2826	(B,66,56)	RS1/16SS1000D
CN2707	(A,141,16) Connector	CKS6635	R 2827	(B,64,57)	RS1/16SS1000D
CN3301	(A,35,31) Connector	CKS6602	R 2828	(B,63,56)	RS1/16SS1000D
			R 2834	(B,73,39)	RS1/16SS221J
			R 2835	(B,72,39)	RS1/16SS221J
<b><u>RESISTORS</u></b>					
R 2704	(A,99,55)	RS1/16SS471J	R 2836	(B,70,34)	RS1/16SS221J
R 2705	(A,99,56)	RS1/16SS471J	R 2837	(B,70,35)	RS1/16SS221J
R 2706	(A,99,57)	RS1/16SS471J	R 2838	(B,69,35)	RS1/16SS221J
R 2715	(A,101,40) (B,D,F,G)	RS1/16SS0R0J	R 2839	(B,68,36)	RS1/16SS221J
R 2716	(A,102,40) (B,D,F,G)	RS1/16SS0R0J	R 2857	(B,77,49)	RS1/16SS103J
R 2717	(A,101,42) (B,D,F,G)	RS1/16SS621J	R 2858	(B,80,48)	RS1/16SS103J
R 2718	(A,102,42) (B,D,F,G)	RS1/16SS181J	R 2859	(B,76,52)	RS1/16SS103J
R 2719	(A,100,43) (B,D,F,G)	RS1/16SS201J	R 2861	(B,63,75) (B,D,F,G)	RS1/16SS0R0J
R 2720	(A,104,43) (B,D,F,G)	RS1/16SS620J	R 2862	(B,66,75) (A,C,E)	RS1/16SS0R0J
R 2724	(A,99,48) (B,D,F,G)	RS1/16SS121J	R 2863	(B,62,73) (A,C,E)	RS1/10SR0R0J
			R 2864	(B,53,71) (A,C,E)	RS1/10SR0R0J
R 2725	(A,103,50) (B,D,F,G)	RS1/16SS0R0J			
R 2726	(A,105,49) (B,D,F,G)	RS1/16SS0R0J	R 2865	(B,80,49)	RS1/16SS221J
R 2727	(A,77,29) (A,C,E)	RS1/16SS0R0J	R 3001	(A,44,43)	RS1/16SS151J
R 2728	(A,90,25) (A,C,E)	RS1/16SS0R0J	R 3002	(A,44,45)	RS1/16SS151J
			R 3003	(A,44,46)	RS1/16SS151J
			R 3004	(A,45,46)	RS1/16SS151J
R 2729	(A,86,30) (A,C,E)	RS1/16SS121J			
R 2730	(A,88,26) (A,C,E)	RS1/16SS0R0J			
R 2731	(A,85,29) (A,C,E)	RS1/16SS0R0J	R 3005	(A,44,49)	RS1/16SS151J
R 2733	(B,115,52)	RS1/16SS180J	R 3006	(A,44,50)	RS1/16SS151J
R 2734	(B,116,52)	RS1/16SS180J	R 3007	(A,46,43)	RS1/16SS151J
			R 3008	(A,47,42)	RS1/16SS151J
			R 3009	(A,48,47)	RS1/16SS151J
R 2735	(B,117,52)	RS1/16SS220J			
R 2736	(B,111,44)	RS1/16SS620J			
R 2737	(B,112,44)	RS1/16SS620J	R 3010	(A,48,42)	RS1/16SS151J
R 2739	(B,109,50)	RS1/16SS150J	R 3011	(A,49,45)	RS1/16SS151J
R 2740	(B,108,50)	RS1/16SS150J	R 3012	(A,43,55)	RS1/16SS151J
			R 3017	(A,42,57)	RS1/16SS472J
			R 3018	(A,41,58)	RS1/16SS472J
R 2741	(B,108,48)	RS1/16SS180J			
R 2781	(A,121,59)	RS1/16SS0R0J			
R 2782	(A,121,58)	RS1/16SS0R0J	R 3019	(A,41,60)	RS1/16SS472J
R 2783	(A,121,57)	RS1/16SS0R0J	R 3022	(A,43,43)	RS1/16SS151J
R 2784	(A,121,56)	RS1/16SS0R0J	R 3023	(A,42,41)	RS1/16SS151J
			R 3024	(A,41,40)	RS1/16SS151J
			R 3025	(A,40,40)	RS1/16SS151J
R 2792	(A,124,62)	RS1/10SR0R0J			
R 2801	(B,67,36)	RS1/16SS221J			
R 2802	(B,59,36)	RS1/16SS221J	R 3026	(A,39,40)	RS1/16SS151J
R 2803	(B,61,36)	RS1/16SS221J	R 3028	(A,37,40)	RS1/16SS151J
R 2804	(B,60,37)	RS1/16SS221J	R 3029	(A,36,40)	RS1/16SS151J
			R 3031	(A,35,40)	RS1/16SS151J
R 2805	(B,62,37)	RS1/16SS221J	R 3038	(A,31,41)	RS1/16SS680J

Circuit Symbol and No.Part No.Circuit Symbol and No.Part No.

	R 3040 (A,30,37)	RS1/16SS470J	R 3218 (A,103,10)	RS1/10SR1502D
A	R 3041 (A,29,39)	RS1/16SS470J	R 3219 (A,100,12)	RS1/10SR472J
	R 3042 (B,13,56)	RS1/16SS0R0J	R 3301 (A,56,28)	RS1/10SR4R7J
	R 3043 (A,28,39)	RS1/16SS151J	R 3302 (A,54,33)	RS1/10SR56R0D
	R 3044 (B,21,57)	RS1/16SS472J	R 3303 (A,56,35)	RS1/10SR1800D
			R 3304 (A,59,34)	RS1/10SR2R2J
	R 3047 (B,15,41)	RS1/16SS912J		
	R 3048 (B,23,60)	RS1/16SS472J	R 3305 (A,60,28)	RS1/10SR47R0D
	R 3049 (B,15,42)	RS1/16SS103J	R 3306 (A,61,31)	RS1/10SR0R0J
	R 3050 (B,17,40)	RS1/16SS103J	R 3307 (A,64,28)	RS1/10SR39R0D
	R 3051 (B,16,42)	RS1/16SS391J	R 3308 (A,64,31)	RS1/10SR4R7J
			R 3309 (A,67,28)	RS1/10SR1000D
	R 3053 (A,23,62)	RS1/16SS472J		
	R 3054 (A,25,62)	RS1/16SS472J	R 3310 (A,68,31)	RS1/10SR8R2J
B	R 3055 (A,24,62)	RS1/16SS472J	R 3311 (A,71,28)	RS1/10SR1300D
	R 3056 (A,17,52)	RS1/16SS472J	R 3312 (A,71,31)	RS1/10SR0R0J
	R 3057 (A,17,53)	RS1/16SS472J	R 3313 (A,69,25)	RS1/10SR1000D
			R 3314 (A,68,23)	RS1/10SR8R2J
	R 3058 (B,20,55)	RS1/16SS472J		
	R 3059 (A,17,54)	RS1/16SS472J	R 3315 (A,66,25)	RS1/10SR39R0D
	R 3060 (A,22,62)	RS1/16SS472J	R 3316 (A,65,23)	RS1/10SR4R7J
	R 3061 (A,19,59)	RS1/16SS472J	R 3317 (A,62,25)	RS1/10SR47R0D
	R 3064 (A,21,49)	RS1/16SS105J	R 3318 (A,61,23)	RS1/10SR0R0J
			R 3319 (A,59,25)	RS1/10SR1800D
	R 3065 (A,19,51)	RS1/16SS471J		
	R 3073 (B,27,48)	RS1/16SS0R0J	R 3320 (A,58,23)	RS1/10SR2R2J
	R 3074 (A,22,42)	RS1/16SS152J	R 3321 (A,56,23)	RS1/10SR33R0D
C	R 3077 (A,17,55)	RS1/16SS470J	R 3322 (A,56,26)	RS1/10SR2R4J
	R 3078 (A,17,58)	RS1/16SS273J	R 3323 (B,32,31)	RS1/16SS473J
			R 3324 (A,24,37)	RS1/16SS473J
	R 3079 (A,18,57)	RS1/16SS470J		
	R 3080 (A,20,62)	RS1/16SS470J	R 3327 (A,28,37)	RS1/16SS473J
	R 3081 (A,21,62)	RS1/16SS470J	R 3328 (A,29,37)	RS1/16SS473J
	R 3083 (A,17,42)	RS1/16SS122J	R 3330 (A,55,20)	RS1/16SS472J
	R 3089 (B,14,47)	RS1/10SR0R0J	R 3332 (A,56,17)	RS1/16SS105J
			R 3333 (A,60,19)	RS1/16SS682J
	R 3091 (A,18,59)	RS1/16SS472J		
	R 3094 (A,19,56)	RS1/16SS472J	R 3334 (A,60,18)	RS1/16SS0R0J
	R 3095 (A,16,59)	RS1/16SS273J	R 3336 (A,62,15)	RS1/16SS101J
	R 3100 (B,27,70)	RS1/16SS0R0J	R 3339 (A,62,16)	RS1/16SS0R0J
D	R 3103 (B,108,67)	RS1/16SS104J	R 3344 (A,133,16)	RS1/16SS183J
	R 3104 (B,107,67)	RS1/16SS154J		
	R 3105 (A,109,77)	RS1/16SS273J		
	R 3106 (A,110,77)	RS1/16SS511J		
	R 3108 (B,99,68)	RS1/16SS1203D		
	R 3110 (B,97,68)	RS1/16SS1003D		
	R 3116 (A,123,63)	RS1/16SS3603D		
	R 3117 (A,123,65)	RS1/16SS2402D		
	R 3120 (A,123,73)	RS1/16SS0R0J		
	R 3121 (A,123,74)	RS1/16SS0R0J		
	R 3202 (A,102,15)	RS1/16SS103J		
E				
	R 3203 (B,104,16)	RS1/10SR9102D		
	R 3204 (B,104,19)	RS1/10SR1802D		
	R 3205 (B,103,14)	RS1/16SS203J		
	R 3206 (B,102,14)	RS1/16SS104J		
	R 3207 (A,106,24)	RS1/16SS103J		
	R 3208 (A,107,12)	RS1/16SS472J		
	R 3209 (B,106,24)	RS1/10SR1003D		
	R 3210 (B,107,28)	RS1/10SR9101D		
	R 3211 (A,108,13)	RS1/16SS6800D		
	R 3212 (A,109,13)	RS1/16SS1502D		
F				
	R 3213 (A,110,14)	RS1/16SS8201D		
	R 3214 (A,99,23)	RS1/10SR2R2J		
	R 3216 (A,100,13)	RS1/10SR1203D		
	R 3217 (A,103,13)	RS1/10SR3001D		

**CAPACITORS**

C 2705 (A,97,45)	10 uF(B,D,F,G)	DCH1201
C 2706 (A,99,45)	(B,D,F,G)	CKSSYB104K10
C 2707 (A,101,49)	(B,D,F,G)	CKSSYB104K10
C 2708 (A,100,50)	10 uF(B,D,F,G)	DCH1201
C 2709 (B,82,29)	(A,C,E)	CKSSYB104K10
C 2803 (A,58,47)		CKSSYB104K10
C 2804 (B,58,47)		CKSSYB103K16
C 2805 (B,60,54)		CKSSYB103K16
C 2806 (A,62,53)		CKSSYB104K10
C 2807 (B,73,56)		CKSSYB103K16
C 2808 (B,74,56)		CKSSYB104K10
C 2809 (A,64,53)		CKSSYB104K10
C 2810 (A,64,52)		CKSSYB103K16
C 2814 (A,66,53)		CKSSYB103K16
C 2816 (A,71,53)	10 uF	DCH1201
C 2819 (B,40,70)		CKSRYB105K10
C 2820 (B,40,76)		CKSRYB105K10
C 2821 (B,33,75)		CKSRYB105K10
C 2822 (B,33,70)		CKSRYB105K10
C 2823 (B,68,39)		CKSSYB104K10
C 2824 (B,68,40)		CKSSYB103K16
C 2825 (B,78,48)		CKSSYB103K16

<u>Circuit Symbol and No.</u>		<u>Part No.</u>	<u>Circuit Symbol and No.</u>		<u>Part No.</u>
C 2826	(B,77,48)	CKSSYB104K10	C 3217	(A,100,26) 4.7 uF	CCG1201
C 2828	(B,54,73) (A,C,E)	CKSSYB104K10	C 3218	(B,106,26)	CCSRCH561J50
C 2829	(B,60,74) (A,C,E)	CKSRYB474K10	C 3219	(A,110,15)	CCSSCH101J50
C 2830	(B,80,50)	CKSQYB225K10	C 3220	(A,97,24)	CKSRYB222K50
C 3002	(A,41,47)	CKSSYB104K10	C 3221	(A,111,18)	CKSRYB224K16
C 3003	(A,41,49)	CKSSYB104K10	C 3222	(A,97,20)	CKSQYB25K16
C 3004	(A,41,52)	CKSSYB104K10	C 3223	(A,97,17)	CKSYB475K16
C 3005	(A,41,53)	CKSSYB104K10	C 3224	(A,103,12)	CCSRCH471J50
C 3006	(A,42,56)	CKSSYB104K10	C 3309	(A,69,30)	CKSSYB102K50
C 3007	(A,38,42)	CKSSYB104K10	C 3310	(A,69,31)	CKSSYB104K10
C 3008	(A,36,61)	CKSSYB104K10	C 3311	(A,70,24)	CKSSYB102K50
C 3010	(A,34,43)	CKSSYB104K10	C 3312	(A,70,23)	CKSSYB104K10
C 3011	(A,33,60)	CKSSYB104K10	C 3321	(B,33,34)	CKSSYB102K50
C 3013	(A,33,42)	CKSSYB104K10	C 3322	(B,34,34)	CKSSYB104K16
C 3014	(A,32,60)	CKSSYB104K10	C 3323	(B,37,35) 10 uF/16 V	DCH1263
C 3015	(A,30,40)	CCSSCH470J50	C 3326	(B,48,35)	CKSSYB102K50
C 3019	(B,13,42) 10 uF	CCG1192	C 3328	(B,30,33)	CKSSYB102K50
C 3021	(A,28,43)	CKSSYB104K10	C 3329	(B,30,34)	CKSSYB104K10
C 3022	(A,29,60)	CKSSYB104K10	C 3330	(B,30,37) 10 uF	DCH1201
C 3023	(B,17,44)	CKSSYB104K10	C 3333	(B,25,34)	CKSSYB104K16
C 3024	(A,24,40)	CKSSYB104K10	C 3334	(B,28,34) 4.7 uF	CCG1201
C 3025	(A,22,40)	CKSRYB474K10	C 3336	(B,28,30)	CKSQYB225K16
C 3026	(A,24,41)	CKSSYB104K10	C 3338	(B,18,31)	CKSQYB334K50
C 3027	(A,23,52)	CKSSYB104K10	C 3342	(A,19,36)	CKSSYB104K10
C 3028	(A,22,54)	CKSSYB104K10	C 3343	(A,57,17)	CKSSYB104K10
C 3029	(A,23,57)	CKSSYB104K10	C 3344	(A,66,18) 10 uF	CCG1236
C 3030	(A,20,44)	CKSSYB152K50	C 3345	(A,132,16)	CKSSYB104K10
C 3031	(A,25,42)	CKSSYB104K10	C 3346	(A,132,18)	CKSSYB104K10
C 3032	(A,23,43)	CKSSYB104K10	<b>F</b> <b>Unit Number:CXX7594</b> <b>Unit Name:Key Unit (Service)</b> <b>MISCELLANEOUS</b> D 3551 (A,13,4) LED SMLVN6RGB2UK(B) D 3552 (A,151,4) LED SMLVN6RGB2UK(B) S 3551 (A,98,4) Push Switch CSG1196 S 3552 (A,114,4) Push Switch CSG1196 S 3553 (A,132,4) Push Switch CSG1196 S 3554 (A,141,4) Push Switch CSG1196 S 3555 (A,29,4) Push Switch CSG1196 S 3556 (A,49,4) Push Switch CSG1196 S 3557 (A,66,4) Push Switch CSG1196 S 3558 (A,81,4) Push Switch CSG1196 S 3559 (A,157,4) Push Switch CSG1196 U 3551 (A,7,5) Remote Receiver Unit RS-470 CN3551 (A,21,5) Connector CKS6421 <b>RESISTORS</b> R 3551 (A,93,3) RS1/16SS182J R 3552 (A,110,4) RS1/16SS222J R 3553 (A,127,3) RS1/16SS472J R 3554 (A,137,3) RS1/16SS123J R 3555 (A,44,3) RS1/16SS182J R 3556 (A,62,3) RS1/16SS222J R 3557 (A,76,3) RS1/16SS472J R 3558 (A,137,6) RS1/16SS390J R 3559 (A,32,5) RS1/16SS390J R 3560 (A,34,5) RS1/16SS150J		
C 3033	(A,23,46)	CKSSYB104K10			
C 3037	(A,21,47)	CCSSCH120J50			
C 3038	(A,23,47)	CKSSYB103K16			
C 3040	(A,19,42)	CCSSCH4R0C50			
C 3041	(A,18,51)	CCSSCH120J50			
C 3042	(A,26,73) 4.7 uF	CCG1201			
C 3043	(A,22,48)	CKSSYB104K10			
C 3044	(A,17,59)	CKSSYB103K16			
C 3046	(B,11,45)	CKSSYB104K10			
C 3101	(A,115,72) 10 uF	CCG1236			
C 3102	(A,113,74)	CKSSYB104K16			
C 3103	(A,110,79)	CKSSYB104K10			
C 3104	(A,111,77)	CKSSYB104K10			
C 3107	(A,109,67) 2.2 uF	CCG1218			
C 3109	(A,111,63) 10 uF	CCG1236			
C 3110	(A,114,63) 10 uF	CCG1236			
C 3111	(A,116,63) 10 uF	CCG1236			
C 3201	(A,102,17)	CKSSYB102K50			
C 3202	(B,105,16)	CKSRYB105K16			
C 3203	(B,102,17) 1 uF	DCH1246			
C 3205	(B,103,29)	CKSQYB105K25			
C 3206	(B,106,29)	CKSQYB105K25			
C 3208	(B,109,16)	CKSRYB104K50			
C 3209	(B,103,21)	CKSRYB104K50			
C 3210	(B,104,21)	CKSRYB104K50			
C 3211	(A,109,9)	CKSSYB224K6R3			
C 3212	(A,108,9)	CKSSYB224K6R3			
C 3214	(A,107,9) 1 uF	DCH1246			
C 3215	(A,112,21)	CKSYB475K16			
C 3216	(A,106,10)	CKSRYB682K50			

**Circuit Symbol and No.****Part No.****Circuit Symbol and No.****Part No.**

R 3561	(A,35,5)	RS1/16SS620J
R 3562	(A,135,3)	RS1/16SS150J
R 3563	(A,136,4)	RS1/16SS620J
R 3565	(A,15,7)	RS1/16SS470J

R 427	(B,24,3)	RS1/16SS101J
R 428	(B,25,3)	RS1/16SS103J
R 429	(B,7,24)	RS1/16SS101J
R 430	(B,8,25)	RS1/16SS101J
R 431	(A,27,10)	RS1/16SS103J

**CAPACITORS**

C 3557	(A,11,6)	CKSSYB104K10
--------	----------	--------------

R 432	(A,5,11)	RS1/16SS101J
R 433	(B,11,25)	RS1/16SS101J
R 434	(A,20,10)	RS1/16SS101J
R 435	(B,21,25)	RS1/16SS101J
R 436	(B,16,3)	RS1/16SS103J

**G****Unit Number: CWX4712****Unit Name: Sensor Unit****MISCELLANEOUS**

IC 401	(A,21,17) IC	UBX-G6010-ST
IC 402	(A,36,16) Sensor	S-5851AAA-I6U
IC 403	(B,23,15) IC	R5S726A0D216FP
IC 404	(A,7,18) Flash ROM Unit	CWW9799
IC 405	(B,6,7) IC	S-80827CNMC-B8M

R 437	(A,29,10)	RAB4CQ473J
R 438	(A,4,12)	RS1/16SS473J
R 439	(A,8,12)	RS1/16SS473J
R 441	(B,15,25)	RS1/16SS473J

IC 406	(A,6,7) Regulator IC	S-1206B1C-I6U
D 402	(B,7,22) Diode	DA2J101
L 401	(A,25,11) Inductor	LCYB10NJ1005
L 402	(A,16,12) SMD Ferrite Bead	CTF1806
L 403	(A,32,21) Chip Ferrite Bead	OTL8019

R 444	(B,11,21)	RS1/16SS473J
R 445	(B,12,15)	RS1/16SS392J
R 446	(B,11,9)	RS1/16SS104J
R 449	(B,37,21)	RS1/16SS473J
R 450	(B,34,22)	RS1/16SS473J

L 404	(A,38,14) Chip Ferrite Bead	OTL8019
L 405	(A,39,13) Chip Ferrite Bead	OTL8019
L 406	(A,10,8) Chip Ferrite Bead	OTL8019
L 407	(A,15,9) Chip Ferrite Bead	OTL8019
X 401	(A,13,13) Crystal Oscillator 26 MHz	CWX4552

R 451	(B,9,11)	RS1/16SS0R0J
R 452	(B,8,13)	RS1/16SS473J
R 453	(B,12,19)	RS1/16SS473J
R 454	(B,36,14)	RS1/16SS101J
R 455	(B,36,12)	RS1/16SS101J

X 402	(A,29,18) Resonator 32.768 kHz	CSS1807
X 403	(B,8,17) Crystal Resonator 10 MHz	CSS1799
F 401	(A,29,14) Filter	CTF1830
GY401	(A,34,10) Sensor	CSX1209
GY402	(A,35,21) Sensor	CSX1210

**CAPACITORS**

C 401	(A,13,15) 1 uF	DCH1246
C 402	(A,25,9)	CCSSCH470J50
C 403	(A,25,10)	CCSSCKR50C50
C 404	(A,14,10)	CKSSYB102K50
C 405	(A,32,7)	CKSSYB103K16

CN401	(A,20,5) Connector	CKS5204
-------	--------------------	---------

C 406	(A,35,18)	CKSSYB104K10
C 407	(A,19,11)	CKSSYB104K10
C 408	(A,22,11) 1 uF	DCH1246
C 409	(A,21,10) 1 uF	DCH1246
C 410	(A,23,11) 1 uF	DCH1246

**RESISTORS**

R 401	(A,14,16)	RS1/16SS0R0J
R 404	(A,37,18)	RS1/16SS221J
R 405	(A,33,24)	RS1/16SS101J
R 407	(A,34,16)	RS1/16SS221J

C 411	(A,23,10) 1 uF	DCH1246
C 412	(A,34,5)	CKSSYB104K10
C 413	(A,33,19) 1 uF	DCH1246
C 414	(A,35,5) 1 uF	DCH1246
C 415	(A,36,14)	CKSSYB104K10

R 408	(A,38,10)	RS1/16SS101J
R 409	(A,26,12)	RS1/16SS473J
R 410	(A,15,16)	RS1/16SS101J
R 411	(A,27,16)	RS1/16SS105J

C 416	(A,36,6)	CKSSYB104K10
C 417	(A,38,19)	CKSSYB104K10
C 418	(A,16,13) 1 uF	DCH1246
C 419	(A,27,15)	CKSSYB104K10
C 420	(A,31,17)	CCSSCH120J50

R 412	(A,20,23)	RS1/16SS0R0J
R 413	(A,29,22)	RS1/10SR101J
R 414	(A,19,24)	RS1/16SS103J
R 415	(A,21,23)	RS1/16SS0R0J
R 416	(A,22,23)	RS1/16SS101J

C 421	(A,31,19)	CCSSCH100D50
C 422	(A,27,18) 1 uF	DCH1246
C 423	(A,15,18) 2.2 uF	CCG1205
C 424	(A,15,19) 1 uF	DCH1246
C 425	(A,16,21) 1 uF	DCH1246

R 417	(B,36,19)	RS1/16SS103J
R 418	(B,35,18)	RS1/16SS103J
R 420	(B,34,21)	RS1/16SS101J
R 421	(B,34,20)	RS1/16SS151J

C 426	(A,17,22) 1 uF	DCH1246
C 427	(A,19,23) 1 uF	DCH1246
C 428	(A,24,23) 2.2 uF	CCG1205
C 429	(A,26,21) 1 uF	DCH1246
C 431	(B,34,17)	CKSSYB104K10

R 422	(B,32,3)	RS1/16SS101J
R 423	(A,10,24)	RS1/16SS473J
R 424	(A,8,24)	RS1/16SS473J
R 425	(A,6,24)	RS1/16SS473J
R 426	(A,8,11)	RS1/16SS101J

<u>Circuit Symbol and No.</u>	<u>Part No.</u>
C 432 (B,34,13)	CKSSYB104K10
C 433 (B,34,11)	CKSSYB104K10
C 434 (B,30,4)	CKSSYB104K10
C 435 (B,28,25)	CKSSYB104K10
C 436 (B,26,25)	CKSSYB104K10
C 437 (B,25,4)	CKSSYB104K10
C 438 (B,24,25)	CKSSYB104K10
C 439 (B,22,4)	CKSSYB104K10
C 440 (B,21,3)	CKSSYB104K10
C 441 (B,19,25)	CKSSYB104K10
C 442 (B,16,4)	CKSSYB104K10
C 443 (A,6,12)	CCSSCJ3R0C50
C 444 (A,10,13)	CKSSYB104K10
C 445 (B,12,23)	CKSSYB104K10
C 446 (B,12,21)	CKSSYB104K10
C 447 (B,12,13)	CKSSYB104K10
C 448 (B,12,12)	CKSSYB104K10
C 449 (B,13,10)	CKSSYB104K10
C 450 (B,12,16)	CKSSYB104K10
C 452 (B,9,9) 1 uF	DCH1246
C 453 (B,8,19)	CCSSCH120J50
C 454 (B,8,15)	CCSSCH120J50
C 455 (A,8,7) 1 uF	DCH1246
C 456 (A,4,8) 1 uF	DCH1246
C 457 (A,27,12)	CCSSCH101J50



**Unit Number:EXX2001**

**Unit Name:PCB Assy (Service)**

**MISCELLANEOUS**

IC 101	Driver IC	BA6288FS
VR101	Volume 10 kohm	CCW1029
S 101	Switch(HOME)	CSN1067
S 102	Switch(HOME)	CSN1068
CN101	Connevtor	CKS4997

**RESISTORS**

R 101	RS1/16S221J
R 102	RS1/16S221J
R 103	RS1/16S0R0J

**CAPACITORS**

C 101	CEVW220M16
C 102	CKSRYB104K16