

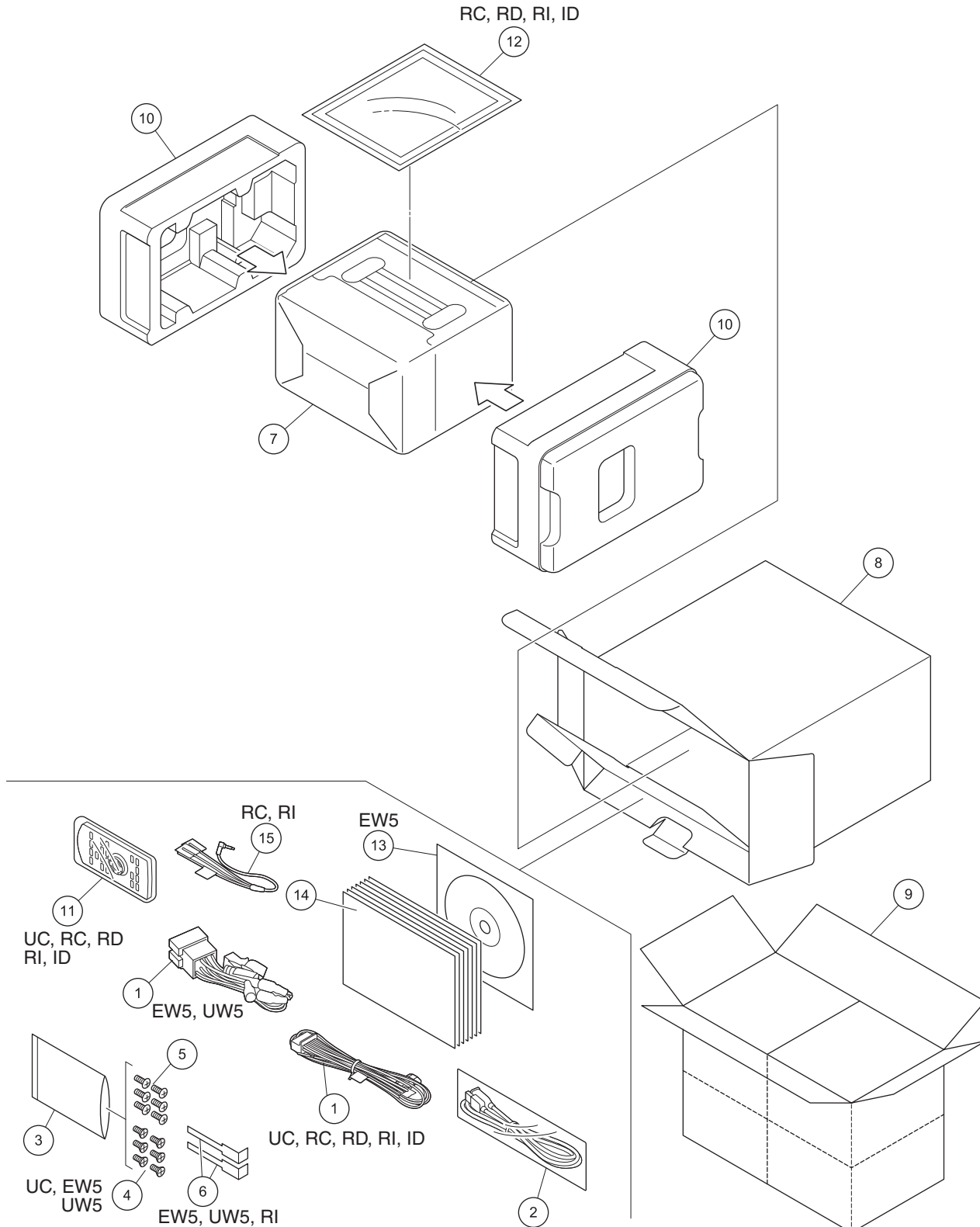


# 9. EXPLODED VIEWS AND PARTS LIST

- NOTES :
- Parts marked by "\*" are generally unavailable because they are not in our Master Spare Parts List.
  - The  mark found on some component parts indicates the importance of the safety factor of the part. Therefore, when replacing, be sure to use parts of identical designation.
  - Screw adjacent to  mark on the product are used for disassembly.
  - For the applying amount of lubricants or glue, follow the instructions in this manual.  
(In the case of no amount instructions, apply as you think it appropriate.)

## 9.1 PACKING



**(1) PACKING SECTION PARTS LIST**

<u>Mark No.</u>	<u>Description</u>	<u>Part No.</u>	<u>Mark No.</u>	<u>Description</u>	<u>Part No.</u>
1	Cord Assy	See Contrast table (2)	12	Panel	See Contrast table (2)
2	USB Extended Cable	CDP1585	13	IM CD-ROM	See Contrast table (2)
3	Polyethylene Bag	CEG1160	14-1	Owner's Manual	See Contrast table (2)
4	Screw	See Contrast table (2)	* 14-2	Warranty Card	See Contrast table (2)
5	Screw	TRZ50P080FTC	14-3	Quick Start Guide	See Contrast table (2)
6	Handle	See Contrast table (2)	14-4	Installation Manual	See Contrast table (2)
7	Cover	See Contrast table (2)	* 14-5	Caution Card	See Contrast table (2)
8	Unit Box	See Contrast table (2)	* 14-6	Caution Card	See Contrast table (2)
9	Contain Box	See Contrast table (2)	* 14-7	Service Network	See Contrast table (2)
10	Protector	See Contrast table (2)	15	Cord Assy	See Contrast table (2)
11	Card Remote Control Unit	See Contrast table (2)			

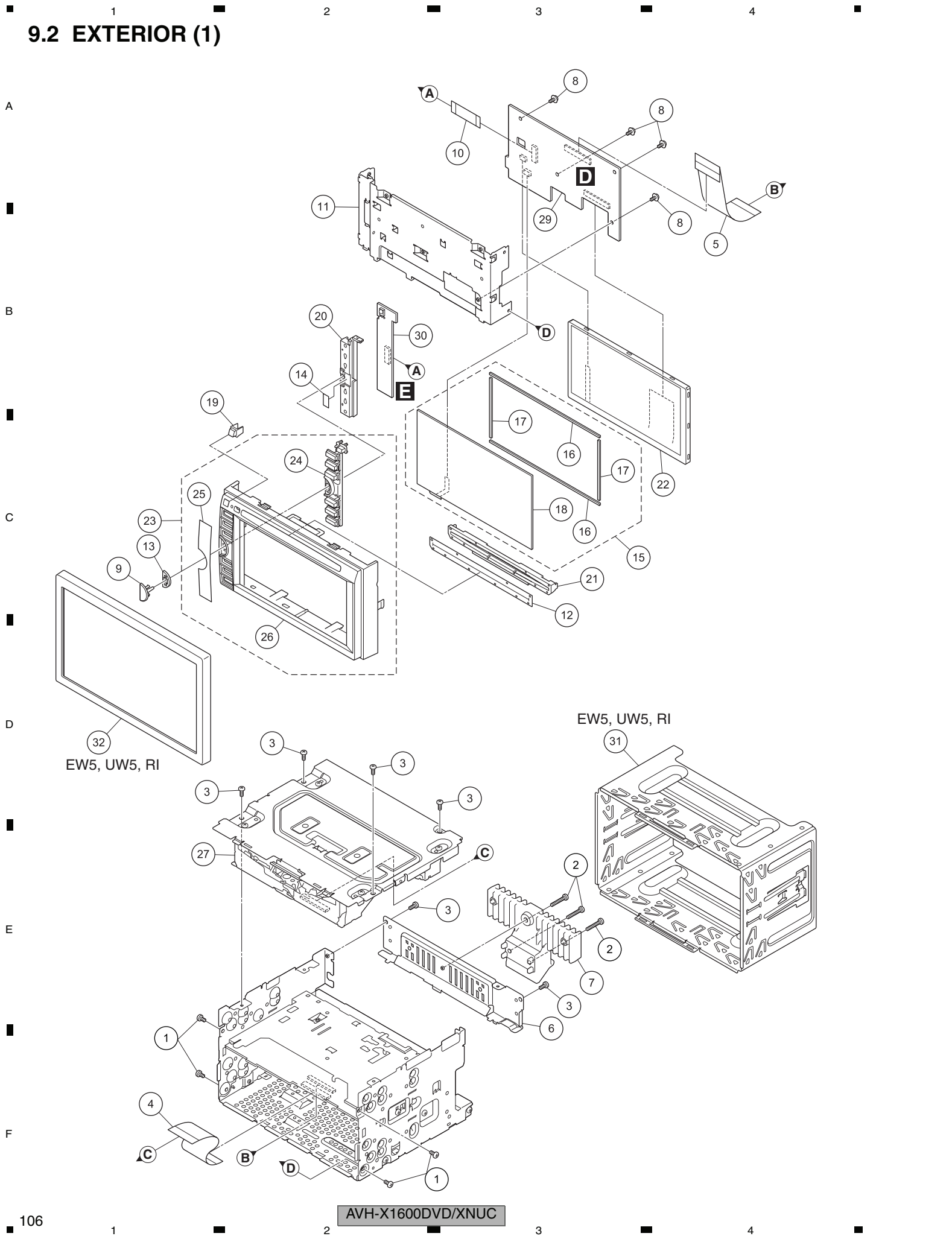
**(2) CONTRAST TABLE**

AVH-X1600DVD/XNUC, AVH-X1600DVD/XNEW5, AVH-X1600DVD/XNUW5, AVH-X1650DVD/XNRC, AVH-X1650DVD/XNRD, AVH-X1650DVD/XNRI and AVH-X1690DVD/XNID are constructed the same except for the following:

Mark	No.	Description	AVH-X1600DVD/ XNUC	AVH-X1600DVD/ XNEW5	AVH-X1600DVD/ XNUW5	AVH-X1650DVD/ XNRC
	1	Cord Assy	CDP1668	CDP1436	CDP1436	CDP1668
	4	Screw	CRZ50P090FTC	CRZ50P090FTC	CRZ50P090FTC	Not used
	6	Handle	Not used	CND6289	CND6289	Not used
	7	Cover	CEG1359	CEG1356	CEG1356	CEG1356
	8	Unit Box	CHG8426	CHG8434	CHG8435	CHG8427
	9	Contain Box	CHL8426	CHL8434	CHL8435	CHL8427
	10	Protector	CHP4598	CHP4599	CHP4599	CHP4598
	11	Card Remote Control Unit	CXE5116	Not used	Not used	CXE5116
	12	Panel	Not used	Not used	Not used	CNS9475
	13	IM CD-ROM	Not used	CPJ1471	Not used	Not used
*	14-1	Owner's Manual	CRD4758	Not used	CRB4290	CRD4759
	14-2	Warranty Card	QRY3001	CRY1376	CRY1330	Not used
	14-3	Quick Start Guide	Not used	CRD4756	Not used	Not used
	14-4	Installation Manual	Not used	CRD4757	Not used	Not used
*	14-5	Caution Card	Not used	CRP1436	Not used	Not used
*	14-6	Caution Card	Not used	CRP1441	Not used	Not used
*	14-7	Service Network	Not used	Not used	Not used	Not used
	15	Cord Assy	Not used	Not used	Not used	CDP1655

Mark	No.	Description	AVH-X1650DVD/ XNRD	AVH-X1650DVD/ XNRI	AVH-X1690DVD/ XNID
	1	Cord Assy	CDP1668	CDP1668	CDP1668
	4	Screw	Not used	Not used	Not used
	6	Handle	Not used	CND6289	Not used
	7	Cover	CEG1356	CEG1356	CEG1356
	8	Unit Box	CHG8428	CHG8436	CHG8429
	9	Contain Box	CHL8428	CHL8436	CHL8429
	10	Protector	CHP4598	CHP4599	CHP4598
	11	Card Remote Control Unit	CXE5116	CXE5116	CXE5116
	12	Panel	CNS9475	CNS9475	CNS9475
	13	IM CD-ROM	Not used	Not used	Not used
*	14-1	Owner's Manual	CRD4760	CRD4761	CRB4291
	14-2	Warranty Card	Not used	Not used	CRY1304
	14-3	Installation Manual	Not used	Not used	Not used
	14-4	Installation Manual	Not used	Not used	Not used
*	14-5	Caution Card	Not used	Not used	Not used

# 9.2 EXTERIOR (1)



**(1) EXTERIOR (1) SECTION PARTS LIST**

<u>Mark No.</u>	<u>Description</u>	<u>Part No.</u>	<u>Mark No.</u>	<u>Description</u>	<u>Part No.</u>
1	Screw	BSZ26P050FTC	17	Cushion	CNN4274
2	Screw	BSZ26P120FTC	18	Touch Panel	CSX1184
3	Screw	BSZ26P060FTC	19	Lighting Conductor	CNW2588
4	FFC	CDE9765	20	Lighting Conductor	CNW2589
5	FFC	CDE9767			
6	Holder	YND5148	21	Holder	CNW2590
7	Heat Sink	CNR2147	22	TFT LCD	CWX4218
8	Screw	ASZ26P050FTC	23	Grille Assy	See Contrast table (2)
9	Button (HOME)	CAI3845	24	Button	CAI3844
10	FFC	CDE9768	25	Plate	CNN4709
11	Holder	CND6527	26	Grille	See Contrast table (2)
12	Cover	CNN2628	27	DVD Mechanism Module (LS2)	CXX8003
13	Cushion	CNN4186	28	•••••	
14	Sheet	CNN4187	29	Service Unit (Monitor)	CXX6055
15	Service Unit (Touch Panel)	CXX6233	30	Service Unit (Keyboard)	CXX6059
16	Cushion	CNN4273	31	Holder	See Contrast table (2)
			32	Panel	See Contrast table (2)

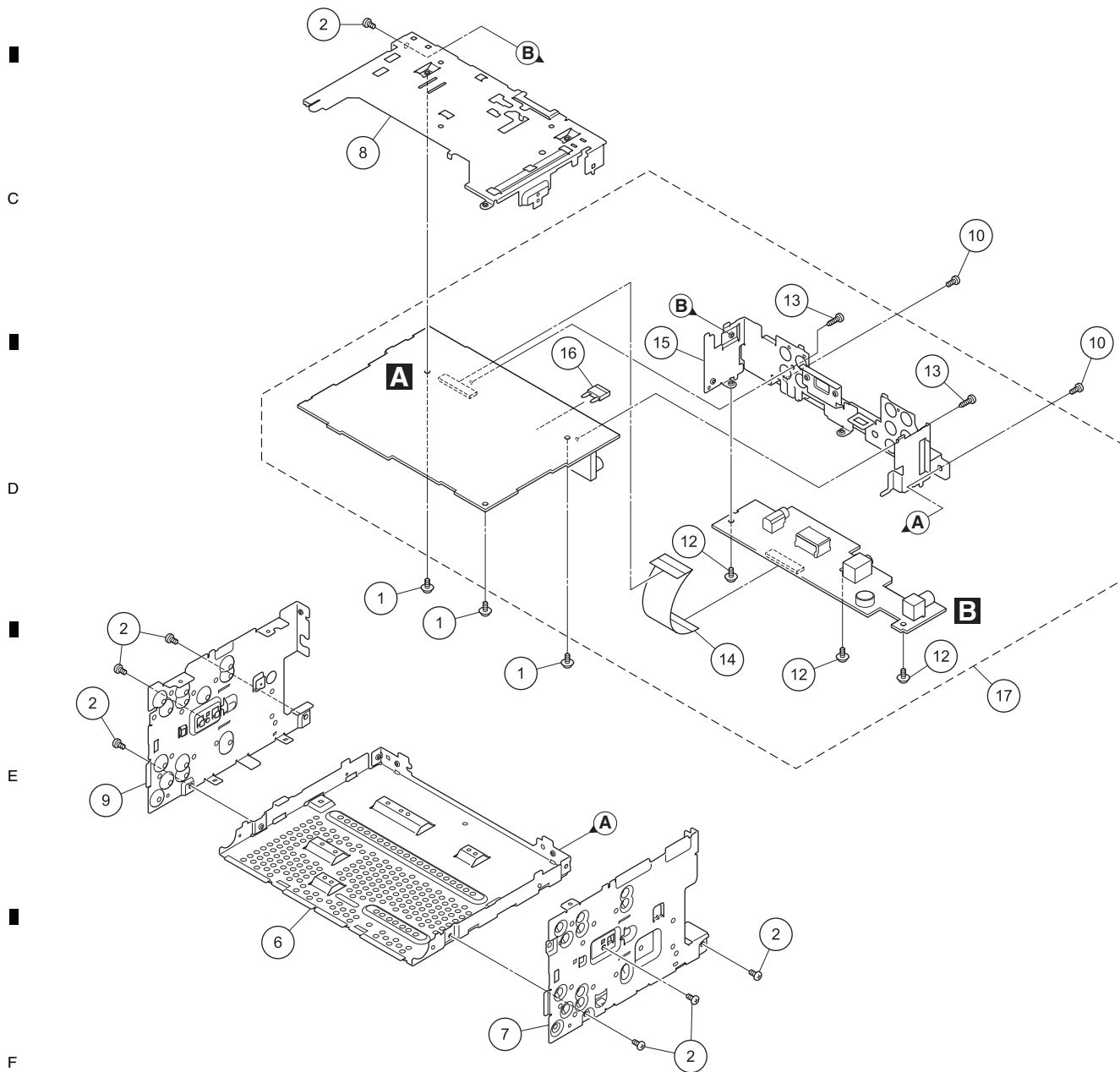
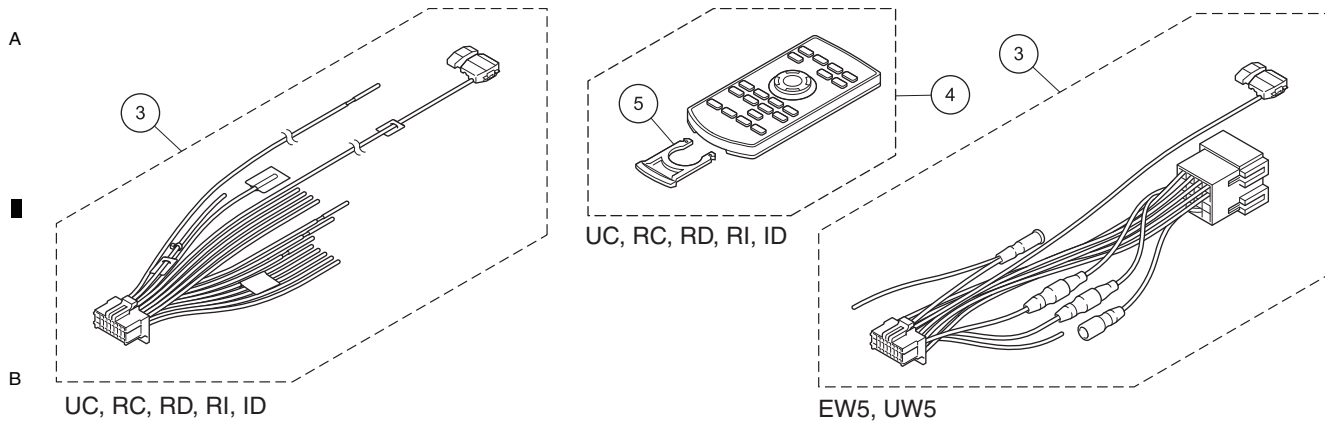
**(2) CONTRAST TABLE**

AVH-X1600DVD/XNUC, AVH-X1600DVD/XNEW5, AVH-X1600DVD/XNUW5, AVH-X1650DVD/XNRC, AVH-X1650DVD/XNRD, AVH-X1650DVD/XNRI and AVH-X1690DVD/XNID are constructed the same except for the following:

Mark	No.	Description	AVH-X1600DVD/ XNUC	AVH-X1600DVD/ XNEW5	AVH-X1600DVD/ XNUW5	AVH-X1650DVD/ XNRC
	23	Grille Assy	CXE6859	CXE6858	CXE6858	CXE6860
	26	Grille	CNU2542	CNU2541	CNU2541	CNU2543
	31	Holder	Not used	CND6288	CND6288	Not used
	32	Panel	Not used	CNS9952	CNS9952	Not used

Mark	No.	Description	AVH-X1650DVD/ XNRD	AVH-X1650DVD/ XNRI	AVH-X1690DVD/ XNID
	23	Grille Assy	CXE6860	CXE6860	CXE6861
	26	Grille	CNU2543	CNU2543	CNU2544
	31	Holder	Not used	CND6288	Not used
	32	Panel	Not used	CNS9952	Not used

### 9.3 EXTERIOR (2)



**(1) EXTERIOR (2) SECTION PARTS LIST**

<u>Mark No.</u>	<u>Description</u>	<u>Part No.</u>	<u>Mark No.</u>	<u>Description</u>	<u>Part No.</u>
1	Screw	ASZ26P050FTC	10	Screw	BSZ26P060FTC
2	Screw	BSZ26P050FTC			
3	Cord Assy	See Contrast table (2)	11	.....	
4	Card Remote Control Unit	See Contrast table (2)	12	Screw	ASZ26P050FTC
5	Battery Cover	See Contrast table (2)	13	Screw	BPZ26P080FTC
			14	FFC	CDE9766
6	Chassis	CNA3210	15	Holder	CND6555
7	Bracket	CND6336			
8	Holder	CND6530	⚠	Fuse (10 A)	YEK5001
9	Bracket	CND6635	17	Service Unit (Mother I/F)	See Contrast table (2)

**(2) CONTRAST TABLE**

AVH-X1600DVD/XNUC, AVH-X1600DVD/XNEW5, AVH-X1600DVD/XNUW5, AVH-X1650DVD/XNRC, AVH-X1650DVD/XNRD, AVH-X1650DVD/XNRI and AVH-X1690DVD/XNID are constructed the same except for the following:

Mark	No.	Description	AVH-X1600DVD/ XNUC	AVH-X1600DVD/ XNEW5	AVH-X1600DVD/ XNUW5	AVH-X1650DVD/ XNRC
	3	Cord Assy	CDP1668	CDP1436	CDP1436	CDP1668
	4	Card Remote Control Unit	CXE5116	Not used	Not used	CXE5116
	5	Battery Cover	CNU1624	Not used	Not used	CNU1624
	17	Service Unit (Mother I/F)	CXX6037	CXX6035	CXX6036	CXX6038

Mark	No.	Description	AVH-X1650DVD/ XNRD	AVH-X1650DVD/ XNRI	AVH-X1690DVD/ XNID
	3	Cord Assy	CDP1668	CDP1668	CDP1668
	4	Card Remote Control Unit	CXE5116	CXE5116	CXE5116
	5	Battery Cover	CNU1624	CNU1624	CNU1624
	17	Service Unit (Mother I/F)	CXX6039	CXX6040	CXX6041

# 9.4 DVD MECHANISM MODULE (1)

A

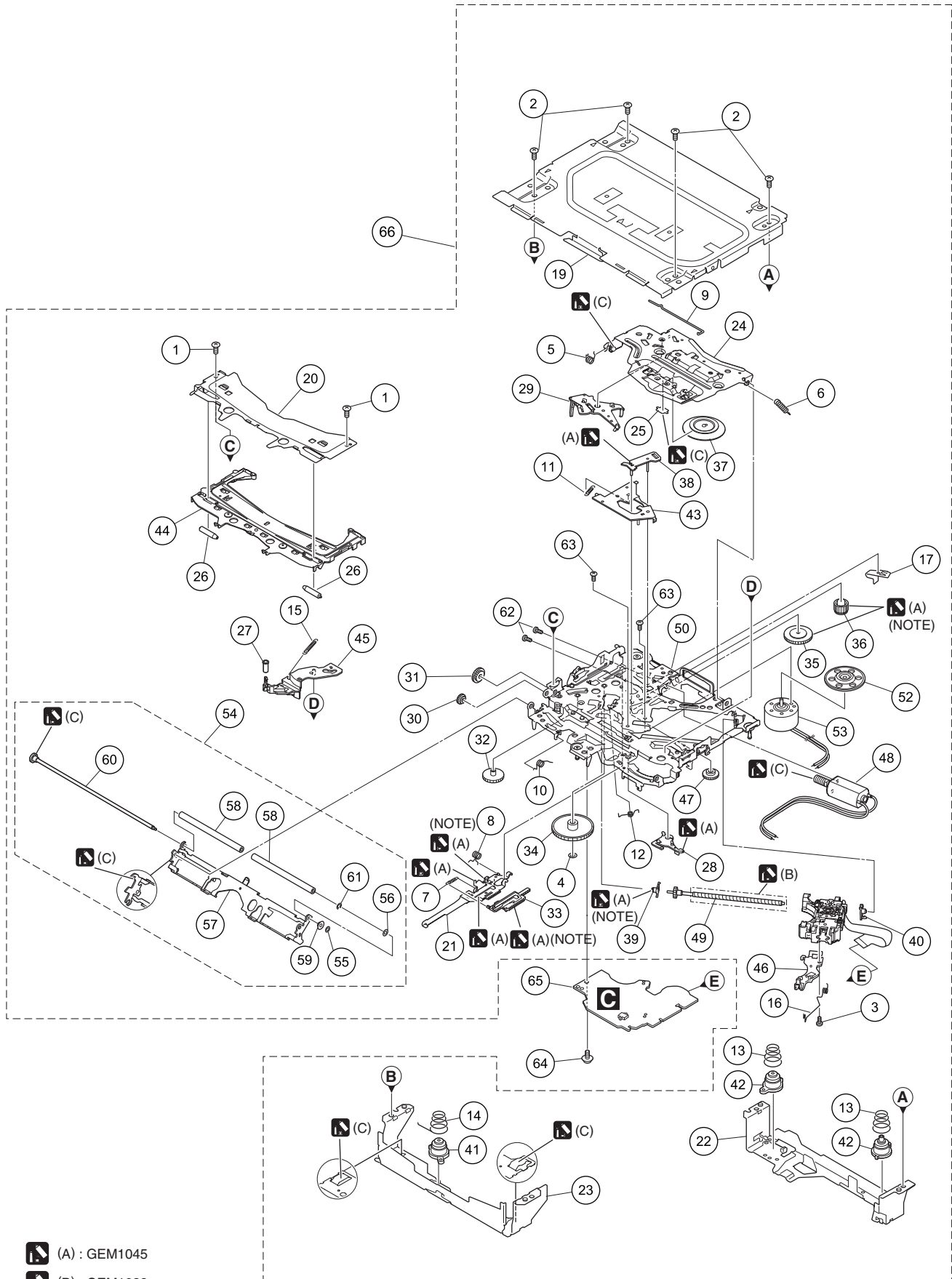
B




C

D

E

F



-  (A) : GEM1045
-  (B) : GEM1038
-  (C) : GEM1024

(NOTE) Apply grease to the whole part.

5 6 7 8  
**DVD MECHANISM MODULE (1) SECTION PARTS LIST**

<u>Mark No.</u>	<u>Description</u>	<u>Part No.</u>	<u>Mark No.</u>	<u>Description</u>	<u>Part No.</u>
1	Screw	BSZ20P040FTC	35	Gear	CNW1186
2	Screw	BSZ26P060FTC			
3	Screw (M2 x 4)	CBA1835	36	Gear	CNW1187
4	Washer	CBF1038	37	Clamper	CNW1190
5	Spring	CBH2855	38	Arm	CNW1192
			39	Holder	CNW1193
6	Spring	CBH2860	40	Holder	CNW1194
7	Spring	CBH3010			
8	Spring	CBH3011	41	Damper	CNW2439
9	Spring	CBH3014	42	Damper	CNW2440
10	Spring	CBH3015	43	Arm	CNW1726
			44	Guide	CNW2240
11	Spring	CBH3016	45	Arm	CNW2241
12	Spring	CBH3017			
13	Spring	CBH3019	46	Rack	CNW2265
14	Spring	CBH3086	47	Gear	CNW2287
15	Spring	CBH3095	48	Motor Unit(M1)(CRG(L/E))	CXC4026
			49	Screw Unit	CXC8894
16	Spring	CBH3096	* 50	Chassis Unit	CXE6044
17	Plate Spring	CBL1824			
18	•••••		51	•••••	
19	Case	CNB3763	* 52	Support Wheel	CNW2052
20	Bracket	CND4553	* 53	Spindle Motor(M2)(SPINDLE)	EXM2002
			54	Arm Assy	CXE6232
21	Lever	CND5398	55	Washer	CBF1037
22	Bracket	CND5710			
23	Bracket	CND6127	56	Washer	CBF1038
24	Arm	CND6406	57	Arm	CND6242
25	Sheet	CNN3678	58	Roller	CNW2500
			59	Collar	CNW2444
26	Roller	CNW1172	60	Gear Unit	CXC6225
27	Roller	CNW1175			
28	Arm	CNW1177	61	Washer	YE15FTC
29	Arm	CNW1178	62	Screw	JFZ20P025FTC
30	Gear	CNW1180	63	Screw	JGZ17P020FTC
			64	Screw (M2 x 5)	EBA1028
31	Gear	CNW1181	65	DVD Core Unit	YWX5032
32	Gear	CNW1183			
33	Rack	CNW1184	66	Mechanism Unit(Service)	CXX4548
34	Gear	CNW1185			

(NOTE) Pickup, Spindle Motor and Support Wheel are not available as service parts, because they need adjustment by special equipment after replacing.

# 12. ELECTRICAL PARTS LIST

**NOTE:**

- Parts whose parts numbers are omitted are subject to being not supplied.
- The part numbers shown below indicate chip components.

Chip Resistor

RS1/○S○○○○J,RS1/○○S○○○○J

Chip Capacitor (except for CQS.....)

CKS....., CCS....., CSZS.....

- The  $\triangle$  mark found on some component parts indicates the importance of the safety factor of the part. Therefore, when replacing, be sure to use parts of identical designation.
- Meaning of the figures and others in the parentheses in the parts list.

Example) IC 301 is on the point (face A, 91 of x-axis, and 111 of y-axis) of the corresponding PC board.

IC 301 (A, 91, 111) IC NJM2068V

- The expression of the unit in this manual is shown by  $\mu$  instead of  $\mu$ . Please do not make a mistake.

<u>Circuit Symbol and No.</u>	<u>Part No.</u>
A:AVH-X1600DVD/XNUC	
B:AVH-X1600DVD/XNEW5	
C:AVH-X1600DVD/XNUW5	
D:AVH-X1650DVD/XNRC	
E:AVH-X1650DVD/XNRD	
F:AVH-X1650DVD/XNRI	
G:AVH-X1690DVD/XNID	
Unit Number : CXX6037(A)	
Unit Number : CXX6035(B)	
Unit Number : CXX6036(C)	
Unit Number : CXX6038(D)	
Unit Number : CXX6039(E)	
Unit Number : CXX6040(F)	
Unit Number : CXX6041(G)	
Unit Name : Service Unit(Mother I/F)	
Unit Number : YWX5032	
Unit Name : DVD Core Unit	
Unit Number : CXX6055	
Unit Name : Service Unit(Monitor)	
Unit Number : CXX6059	
Unit Name : Service Unit(Keyboard)	

**Service Unit(Mother I/F)**

**Consists of**

**Mother PCB**

**Interface PCB**

<u>Circuit Symbol and No.</u>	<u>Part No.</u>
<b>A B</b>	
Unit Number : CXX6037(A)	
Unit Number : CXX6035(B)	
Unit Number : CXX6036(C)	
Unit Number : CXX6038(D)	
Unit Number : CXX6039(E)	
Unit Number : CXX6040(F)	
Unit Number : CXX6041(G)	
Unit Name : Service Unit(Mother I/F)	

**MISCELLANEOUS**

IC 101 (B,132,74) IC	AK4223VQ
IC 251 (B,119,96) IC	PML020A
IC 341 (A,97,121) IC	PA2032A
IC 501 (A,40,78) IC	TDA7706
IC 601 (A,56,55) IC(A)	PDB117A8
(A,56,55) IC(B,C,D,E,F,G)	PDB118A8
IC 751 (A,132,67) IC	BD11600NUX
IC 1001 (B,89,68) IC	BH7673G
IC 1002 (B,86,68) IC	BH7673G
IC 1003 (B,80,68) IC	BH7673G
IC 1004 (B,77,68) IC	BH7673G
IC 1051 (B,82,41) LSI	ML86V7675TBZA3A
IC 1101 (B,123,41) RAM IC	M12L128168A-5TG2N
IC 1151 (B,104,49) IC	WM8761BGED
IC 1202 (B,105,40) IC	337S3959
IC 1251 (B,146,54) Flash ROM Unit(Service) (A,D)	CXX5989
(B,146,54)Flash ROM Unit(Service)(B,C,E,F,G)	CXX5991
IC 1301 (B,96,22) Serial Flash Memory	MX25L8006EM2I-12G
IC 1302 (A,107,42) IC	R5S72690RW266FP
IC 1721 (A,126,100) IC	NJM4565V
IC 1731 (A,123,112) IC	NJM4565V
IC 1801 (B,60,83) Regulator IC	NJW4181U3-33B
IC 1821 (A,91,101) IC	NJM2387ADL3
IC 1901 (B,33,53) IC	NJM2886DL3-05
IC 1951 (B,158,68) IC	AN33012UA
IC 2011 (B,116,15) Regulator IC	BD001A5WEFJ
IC 2031 (B,78,24) Regulator IC	NJM2878F3-15

	1		2		3		4	
	<u>Circuit Symbol and No.</u>		<u>Part No.</u>		<u>Circuit Symbol and No.</u>		<u>Part No.</u>	
	IC 2101	(B,164,96) Regulator IC	BD9876EFJ		D 3641	(B,77,37) Diode	DZ2S180C	
	IC 2161	(B,165,108) IC	AN33014UA		D 3642	(B,62,37) Diode	DZ2S180C	
A	Q 301	(B,93,101) Transistor	LSCR523UB		D 3643	(B,77,41) Diode	DZ2S180C	
	Q 311	(B,90,104) Transistor	RN4987		L 501	(A,46,91) Chip Coil	LCTAWR15J2520	
	Q 321	(B,88,106) Chip Transistor	RN1903		L 502	(A,43,90) Chip Coil	LCTAWR27J2520	
	Q 601	(A,71,48) Transistor	LSCR523UB		L 503	(A,40,90) Inductor	CTF1786	
	Q 751	(B,65,18) Chip Transistor	HN1C01FU		L 504	(A,38,89) SMD Ferrite Beads	CTF1806	
	Q 752	(B,61,18) Chip Transistor	RN4982		L 505	(A,34,95) Inductor	CTF1389	
	Q 831	(B,65,77) Transistor	LTC014EEB		L 506	(A,43,88) Inductor	CTF1794	
	Q 841	(B,67,73) Transistor	LTC014EEB		L 507	(A,32,89) Inductor	LCYC220K1608	
	Q 854	(A,53,98) Chip Transistor	HN1A01FU		L 508	(A,32,85) Inductor(A,E)	LCYB68NJ1005	
	Q 871	(A,56,78) Chip Transistor	HN1C01FU		L 509	(A,29,79) Chip Coil	LCTAW470J2520	
	Q 1001	(B,82,58) Transistor	LSCR523UB		L 510	(A,31,75) Inductor	CTF1786	
B	Q 1002	(B,85,58) Transistor	LSCR523UB		L 511	(A,35,70) Inductor	CTF1786	
	Q 1003	(B,88,58) Transistor	LSCR523UB		L 512	(A,50,83) Inductor	CTF1786	
	Q 1004	(B,78,58) Transistor	LSCR523UB		L 513	(A,51,83) Inductor	CTF1786	
	Q 1201	(B,110,32) Transistor	LSAR523UB		L 514	(A,44,68) Inductor	CTF1786	
	Q 1631	(A,36,113) Chip Transistor	HN1C01FU		L 517	(A,50,71) Inductor	CTF1786	
	Q 1632	(A,43,113) Chip Transistor	HN1C01FU		L 519	(A,33,93) Inductor	LCYB10NJ1608	
	Q 1633	(A,30,113) Chip Transistor	HN1C01FU		L 801	(A,63,92) Choke Coil 600 uH	CTH1221	
	Q 1661	(B,125,16) Chip Transistor	2SD2114K		L 1001	(B,87,62) Inductor	CTF1545	
	Q 1662	(B,128,14) Transistor	RN4984		L 1002	(B,80,62) Inductor	CTF1545	
	Q 1663	(B,129,19) Transistor	RN4984		L 1003	(B,76,62) Inductor	CTF1545	
	Q 1701	(A,135,105) Transistor	UMF23N		L 1004	(B,83,62) Inductor	CTF1545	
C	Q 1712	(B,46,54) Chip Transistor(D,E,F,G)	HN1B04FU		L 1005	(B,96,68) Chip Coil	LCTAW100J2520	
	Q 1721	(A,136,97) Transistor	LSCR523UB		L 1051	(B,77,34) Inductor	CTF1740	
	Q 1951	(A,163,70) Power MOS FET	RSD140P06		L 1101	(B,135,43) Inductor	CTF1786	
	Q 1952	(A,153,67) Power MOS FET	RSD140P06		L 1107	(B,119,50) Inductor	CTF1645	
	D 301	(B,84,105) Diode	DA2J101		L 1151	(B,106,55) Inductor	CTF1786	
	D 302	(B,90,99) Diode	DZ2J082M0		L 1251	(B,138,55) Inductor	CTF1786	
	D 312	(B,90,101) Diode	DA2J101		L 1301	(B,109,44) Inductor	CTF1786	
	D 501	(A,46,95) Diode	RN731VN		L 1302	(B,110,57) Inductor	CTF1545	
	D 502	(A,46,88) Diode	RN731VN		L 1303	(B,108,21) Chip Beads	VTL1129	
	D 601	(B,61,49) Diode	RB501VM-40		L 1304	(B,138,43) Chip Beads	VTL1129	
	D 602	(B,63,49) Diode	DB2J31400		L 1305	(A,127,37) Chip Beads	VTL1126	
D	D 801	(B,64,122) Diode	1SR154-400		L 1306	(A,86,34) Chip Beads	VTL1127	
	D 802	(B,60,122) Diode	1SR154-400		L 1311	(A,124,29) Chip Beads	VTL1127	
	D 821	(A,48,101) Diode	DAN202UM		L 1312	(A,126,32) Chip Beads	VTL1127	
	D 831	(B,63,76) Diode	DZ2J056M0		L 1313	(A,124,35) Chip Beads	VTL1127	
	D 841	(B,70,76) Diode	DA2J101		L 1315	(A,125,41) Chip Beads	VTL1127	
	D 853	(A,51,102) Diode	DAN202UM		L 1316	(A,124,43) Chip Beads	VTL1127	
	D 871	(B,63,103) Diode	UDZV6R2(B)		L 1317	(A,125,42) Chip Beads	VTL1127	
	D 873	(B,67,101) Diode	UDZV7R5(B)		L 1318	(A,125,46) Chip Beads	VTL1127	
	D 1601	(A,153,108) Diode	PESD0402-140		L 1319	(A,125,49) Chip Beads	VTL1127	
	D 1602	(A,150,108) Diode	PESD0402-140		L 1322	(A,125,54) Chip Beads	VTL1127	
E	D 1622	(B,123,112) Diode	DZ2S180C		L 1323	(A,125,58) Chip Beads	VTL1127	
	D 1623	(B,134,111) Diode	DZ2S180C		L 1377	(A,86,30) Chip Beads	VTL1126	
	D 1624	(B,140,110) Diode	DZ2S180C		L 1381	(A,87,54) Chip Beads	VTL1126	
	D 1661	(B,125,12) Diode	DZ2J039M0		L 1383	(A,83,54) Chip Beads	VTL1126	
	D 1721	(A,137,101) Diode	DZ2J051M0		L 1384	(A,85,52) Chip Beads	VTL1126	
	D 1781	(B,56,35) Diode	DZ2S180C		L 1387	(A,87,46) Chip Beads	VTL1126	
	D 1782	(B,58,33) Diode	DZ2S180C		L 1390	(A,83,46) Chip Beads	VTL1126	
	D 1801	(B,66,83) Diode	1SR154-400		L 1391	(A,87,45) Chip Beads	VTL1126	
	D 1902	(B,38,42) Diode	CRG03		L 1393	(A,83,44) Chip Beads	VTL1126	
	D 1951	(A,161,63) Diode	RB056L-40		L 1394	(A,87,44) Chip Beads	VTL1126	
	D 1952	(A,153,59) Diode	RB056L-40		L 1397	(A,83,43) Chip Beads	VTL1126	
F	D 1953	(A,140,110) Diode	RB080L-30		L 1399	(A,87,43) Chip Beads	VTL1126	
	D 2101	(A,164,94) Diode	RB056L-40		L 1401	(A,87,42) Chip Beads	VTL1126	
	D 2161	(B,163,102) Diode	RB060M-30		L 1403	(A,84,41) Chip Beads	VTL1126	
	D 2162	(B,154,105) Diode	1SR154-400		L 1405	(A,87,40) Chip Beads	VTL1126	

5		6		7		8	
<u>Circuit Symbol and No.</u>		<u>Part No.</u>		<u>Circuit Symbol and No.</u>		<u>Part No.</u>	
L 1407	(A,84,39) Chip Beads	VTL1126		R 122	(B,125,80)	RS1/16SS470J	
L 1409	(A,87,38) Chip Beads	VTL1126		R 201	(B,133,101)	RS1/16SS0R0J	
L 1411	(A,87,37) Chip Beads	VTL1126		R 202	(B,129,102)	RS1/16SS182J	
L 1413	(A,87,36) Chip Beads	VTL1126		R 251	(B,126,105)	RS1/16SS162J	A
L 1415	(A,86,35) Chip Beads	VTL1126		R 255	(B,124,88)	RS1/16SS473J	
L 1601	(A,151,106) Inductor	CTF1713		R 258	(A,100,108)	RS1/8SQ0R0J	
L 1951	(A,164,55) Choke Coil 10 uH	CTH1446		R 259	(A,96,108)	RS1/8SQ0R0J	
L 1952	(A,151,54) Inductor	CTH1519		R 260	(A,104,107)	RS1/8SQ0R0J	
L 1953	(A,144,102) Choke Coil 10 uH	CTH1486		R 261	(A,92,108)	RS1/8SQ0R0J	
L 2101	(A,158,94) Inductor	CTH1524		R 265	(B,102,95)	RS1/16SS0R0J	
L 2161	(A,164,102) Inductor	CTH1524		R 302	(B,87,104)	RS1/16SS103J	
L 2162	(B,167,102) Inductor	CTF1793		R 303	(B,95,99)	RS1/16SS104J	
X 501	(A,52,75) Resonator 36.48 MHz	CSS1805		R 304	(B,96,99)	RS1/16SS473J	
X 601	(A,71,56) Crystal Resonator 12.500 MHz	CSS1839		R 306	(A,66,43)	RS1/16SS103J	
X 1051	(B,71,34) Crystal Resonator 32.000 MHz	CSS1818		R 312	(B,85,100)	RS1/16SS102J	B
X 1301	(A,102,65) Resonator 48.000 MHz	CSS1760		R 321	(B,85,106)	RS1/16SS683J	
X 1302	(A,113,65) Crystal Resonator 13.333 3 MHz	CSS1840		R 322	(B,83,106)	RS1/16SS152J	
X 1303	(A,86,50) Resonator 16.93 MHz	CSS1794		R 323	(B,85,103)	RS1/16SS683J	
P 451	(A,21,96) Surge Absorber	IMSA-6803-01Y900		R 324	(B,88,109)	RS1/16SS101J	
P 1623	(B,130,108) Poly Switch	FSMD075-24R		R 332	(A,83,111)	RS1/16SS473J	
P 1631	(B,28,109) Poly Switch	FSMD075-24R		R 333	(A,83,110)	RS1/16SS102J	
P 1701	(A,121,77) Poly Switch	FSMD075-24R		R 454	(B,49,84) (B,C,D,E,F,G)	RS1/8SQ0R0J	
⚠ P1951	(A,45,37) Fuse 1 A	CEK1381		R 457	(B,22,96)	RS1/10SR0R0J	
⚠ P2071	(A,145,38) Fuse 1.25 A	CEK1382		R 519	(A,47,86)	RS1/16SS221J	
				R 520	(A,31,94)	RS1/16SS105J	C
⚠ P2081	(A,23,20) Fuse 0.75 A	CEK1380					
⚠ P2151	(A,46,25) Fuse 2.5 A	CEK1385		R 521	(A,47,87)	RS1/16SS751J	
⚠ P2152	(A,49,27) Fuse 1.5 A	CEK1383		R 522	(A,32,87)	RS1/16SS152J	
BZ3631	(A,45,44) Buzzer	CPV1062		R 523	(A,33,85)	RS1/16SS105J	
CN751	(A,63,13) Connector	CKS6025		R 524	(A,31,85) (B,C,D,F,G)	RS1/16SS0R0J	
				R 525	(A,29,82)	RS1/16SS471J	
CN1701	(A,119,85) Connector	CKS6535		R 526	(A,31,81)	RS1/16SS330J	
CN1751	(A,67,27) Connector	CKS6536					
CN3601	(B,119,49) Connector	CKS6605		R 527	(A,31,79)	RS1/16SS681J	
CN3661	(A,111,25) Connector	CKS4497		R 528	(A,28,71)	RS1/4SA5R6J	
JA451	(A,14,111) Antenna Jack	YKS5041		R 529	(A,26,72)	RS1/4SA5R6J	
				R 530	(A,26,75)	RS1/4SA5R6J	
JA801	(A,62,118) Plug	CKM1376		R 539	(A,33,73)	RS1/16SS102J	
JA1601	(A,151,121) USB Jack	CKN1091					D
JA1621	(A,129,121) RCA Jack	CKB1110		R 601	(B,51,41) (B,C,D,E)	RS1/16SS104J	
JA1631	(A,35,120) Pin Jack	XKB7001		R 602	(B,49,41) (F,G)	RS1/16SS104J	
JA3621	(A,13,33) RCA Jack	CKB1106		R 603	(B,51,40) (B,C,F,G)	RS1/16SS104J	
				R 604	(B,49,40) (D,E)	RS1/16SS104J	
JA3641	(A,69,19) Jack	CKN1106		R 605	(B,51,39) (B,D,F)	RS1/16SS104J	
JA3731	(A,145,28) Jack	CKS6437		R 606	(B,49,39) (C,E,G)	RS1/16SS104J	
				R 607	(B,51,37)	RS1/16SS104J	
				R 610	(B,49,36)	RS1/16SS104J	
				R 611	(B,51,45)	RS1/16SS103J	
				R 612	(B,55,50)	RS1/16SS221J	
				R 613	(B,61,40)	RS1/16SS472J	E
				R 614	(B,63,40)	RS1/16SS471J	
				R 615	(B,64,40)	RS1/16SS472J	
				R 616	(B,62,40)	RS1/16SS471J	
				R 617	(B,55,45)	RS1/16SS104J	
				R 618	(B,55,44)	RS1/16SS104J	
				R 619	(A,59,66)	RS1/16SS102J	
				R 620	(B,50,45)	RS1/16SS103J	
				R 621	(B,66,61)	RS1/16SS473J	
				R 622	(A,55,42)	RS1/16SS101J	
				R 623	(B,61,44) (A,B,C)	RS1/16SS104J	
					(B,61,44) (D,E,F,G)	RS1/16SS103J	F
				R 624	(B,61,45) (A,B,C)	RS1/16SS103J	
					(B,61,45) (D,E,F,G)	RS1/16SS1002D	
				R 626	(B,58,45)	RS1/16SS0R0J	

**RESISTORS**

R 101	(B,122,71)	RAB4CQ101J					
R 102	(B,122,74)	RAB4CQ101J					
R 104	(B,125,78)	RS1/16SS75R0D					
R 105	(B,125,81)	RS1/16SS75R0F					
R 108	(B,141,66)	RS1/10SR560J					
R 109	(B,143,74)	RAB4CQ101J					
R 110	(B,143,79)	RAB4CQ101J					
R 112	(B,129,63)	RS1/16SS101J					
R 113	(B,132,64)	RS1/16SS101J					
R 114	(B,134,64)	RS1/16SS101J					
R 115	(B,136,63)	RS1/16SS101J					
R 116	(B,131,64)	RS1/16SS101J					
R 117	(B,135,64)	RS1/16SS101J					
R 119	(B,144,67)	RS1/10SR560J					
R 120	(B,143,69)	RS1/10SR560J					
R 121	(B,144,71)	RS1/10SR560J					

	1	2	3	4
	<u>Circuit Symbol and No.</u>	<u>Part No.</u>	<u>Circuit Symbol and No.</u>	<u>Part No.</u>
	R 627 (B,62,45)	RS1/16SS473J	R 834 (B,55,103)	RS1/4SA102J
	R 629 (A,69,56)	RS1/16SS0R0J	R 841 (B,69,75)	RS1/16SS103J
	R 630 (A,69,45)	RS1/16SS473J	R 842 (B,72,79)	RS1/4SA102J
A	R 631 (A,70,46)	RS1/16SS104J	R 861 (A,44,63)	RS1/16SS473J
	R 632 (A,70,50)	RS1/16SS473J	R 863 (A,50,98)	RS1/16SS223J
	R 633 (A,68,50)	RS1/16SS102J	R 864 (A,55,97)	RS1/16SS473J
	R 634 (B,64,45)	RS1/16SS473J	R 865 (A,49,98)	RS1/16SS473J
	R 636 (A,68,52)	RS1/16SS472J	R 866 (A,51,105)	RS1/16SS103J
	R 637 (A,68,53)	RS1/16SS472J	R 867 (A,43,63)	RS1/16SS102J
	R 638 (A,63,69)	RS1/16SS102J	R 868 (B,43,66)	RS1/16SS102J
	R 642 (B,65,52)	RS1/16SS473J	R 873 (B,66,103)	RS1/16SS103J
	R 644 (A,70,53)	RS1/16SS102J	R 874 (B,65,103)	RS1/16SS473J
	R 645 (B,66,60)	RS1/16SS102J	R 875 (B,60,103)	RS1/16SS392J
B	R 646 (A,68,62)	RS1/16SS121J	R 878 (B,62,101)	RS1/16SS104J
	R 647 (A,68,64)	RS1/16SS104J	R 879 (B,64,101)	RS1/16SS473J
	R 648 (A,68,63)	RS1/16SS121J	R 880 (B,55,100)	RS1/4SA102J
	R 652 (A,73,48)	RS1/16SS473J	R 1009 (B,78,64)	RS1/16SS101J
	R 653 (A,68,48)	RS1/16SS471J	R 1010 (B,81,64)	RS1/16SS101J
	R 654 (A,68,49)	RS1/16SS471J	R 1011 (B,90,63)	RS1/16SS101J
	R 655 (A,71,51)	RS1/16SS472J	R 1012 (B,86,64)	RS1/16SS101J
	R 658 (B,68,59)	RS1/16SS104J	R 1013 (B,83,69)	RS1/10SR101J
	R 659 (A,67,66)	RS1/16SS0R0J	R 1051 (B,71,49)	RS1/16SS750J
	R 660 (A,67,67)	RS1/16SS0R0J	R 1052 (B,69,40)	RS1/10SR0R0J
	R 661 (A,67,68)	RS1/16SS0R0J	R 1053 (A,76,40)	RS1/16SS472J
C	R 662 (A,67,69)	RS1/16SS0R0J	R 1054 (B,92,40)	RS1/16SS473J
	R 663 (A,61,69)	RS1/16SS473J	R 1055 (B,71,39)	RS1/16SS101J
	R 664 (A,59,69)	RS1/16SS103J	R 1056 (B,71,38)	RS1/16SS101J
	R 665 (B,54,67)	RS1/16SS0R0J	R 1057 (B,92,39)	RS1/16SS561J
	R 666 (A,59,72)	RS1/16SS104J	R 1058 (B,74,36)	RS1/16SS105J
	R 667 (A,58,69)	RS1/16SS103J	R 1059 (B,72,37)	RS1/16SS471J
	R 668 (B,56,67)	RS1/16SS102J	R 1060 (B,82,30)	RS1/16SS391J
	R 681 (A,44,44)	RS1/16SS221J	R 1061 (B,83,30)	RS1/16SS391J
	R 682 (B,43,44)	RS1/16SS221J	R 1062 (B,83,32)	RS1/16SS391J
	R 683 (A,43,44)	RS1/16SS221J	R 1063 (B,84,30)	RS1/16SS391J
	R 684 (B,47,44)	RS1/16SS221J	R 1064 (B,85,30)	RS1/16SS391J
D	R 685 (B,45,44)	RS1/16SS221J	R 1065 (B,86,31)	RS1/16SS391J
	R 686 (B,44,44)	RS1/16SS221J	R 1066 (B,88,31)	RS1/16SS391J
	R 687 (B,50,53)	RS1/16SS104J	R 1067 (B,86,32)	RS1/16SS391J
	R 688 (A,44,56)	RS1/16SS473J	R 1068 (B,88,32)	RS1/16SS221J
	R 689 (A,43,61)	RS1/16SS473J	R 1069 (B,87,34)	RS1/16SS221J
	R 690 (B,46,62)	RS1/16SS272J	R 1070 (B,89,34)	RS1/16SS561J
	R 691 (B,46,60)	RS1/16SS102J	R 1071 (B,74,33)	RS1/16SS473J
	R 692 (B,53,46)	RS1/16SS104J	R 1072 (B,81,30)	RS1/16SS101J
	R 698 (B,42,44)	RS1/16SS473J	R 1073 (B,77,33)	RS1/16SS101J
	R 699 (A,45,44)	RS1/16SS104J	R 1074 (B,69,39)	RS1/16SS222J
	R 700 (B,54,50)	RS1/16SS221J	R 1075 (B,69,37)	RS1/16SS222J
E	R 701 (A,68,61)	RS1/16SS473J	R 1076 (B,72,26)	RS1/10SR0R0J
	R 705 (B,48,62)	RS1/16SS822J	R 1077 (B,70,26)	RS1/10SR0R0J
	R 707 (B,50,50)	RS1/16SS104J	R 1080 (B,73,49)	RS1/16SS0R0J
	R 750 (A,134,71)	RS1/10SR0R0J	R 1081 (B,87,54)	RS1/16SS750J
	R 751 (B,59,23)	RAB4CQ221J	R 1082 (B,84,54)	RS1/16SS750J
	R 752 (B,58,18)	RS1/16SS471J	R 1083 (B,69,26)	RS1/10SR0R0J
	R 753 (B,58,19)	RS1/16SS102J	R 1084 (B,81,54)	RS1/16SS750J
	R 754 (B,68,18)	RS1/16SS0R0J	R 1085 (B,78,55)	RS1/16SS750J
	R 757 (B,64,16)	RS1/16SS472J	R 1101 (B,128,29)	RAB4CQ221J
	R 758 (B,66,16)	RS1/16SS472J	R 1102 (B,125,29)	RAB4CQ221J
F	R 759 (B,61,16)	RS1/16SS102J	R 1103 (B,120,33)	RAB4CQ471J
	R 821 (A,45,101)	RS1/16SS153J	R 1104 (B,116,33)	RAB4CQ471J
	R 832 (B,65,75)	RS1/16SS104J	R 1105 (B,113,33)	RAB4CQ471J
	R 833 (B,59,75)	RS1/16SS103J	R 1106 (B,122,50)	RS1/16SS471J

5		6		7		8	
<u>Circuit Symbol and No.</u>		<u>Part No.</u>		<u>Circuit Symbol and No.</u>		<u>Part No.</u>	
R 1108	(B,130,52)	RAB4CQ221J		R 1348	(A,94,25)	RS1/16SS101J	
R 1109	(B,126,52)	RAB4CQ221J		R 1349	(B,95,16)	RS1/16SS0R0J	
R 1110	(B,115,51)	RAB4CQ471J		R 1350	(A,90,50)	RS1/16SS152J	
R 1111	(B,112,51)	RAB4CQ471J		R 1351	(A,92,60)	RS1/16SS102J	A
R 1112	(B,118,51)	RS1/16SS471J		R 1352	(A,90,66)	RAB4CQ473J	
R 1151	(B,98,52)	RS1/16SS821J		R 1353	(B,118,54)	RS1/16SS0R0J	
R 1152	(B,109,52)	RS1/16SS821J		R 1355	(B,115,55)	RS1/16SS0R0J	
R 1201	(B,107,41)	RS1/16SS222J		R 1356	(A,129,47)	RS1/16SS0R0J	
R 1202	(B,109,37)	RS1/16SS183J		R 1359	(A,128,49)	RS1/16SS0R0J	
R 1203	(B,104,42)	RS1/16SS222J		R 1360	(B,122,56)	RS1/16SS0R0J	
R 1205	(B,108,41)	RS1/16SS101J		R 1365	(A,91,24)	RS1/16SS331J	
R 1206	(B,104,43)	RS1/16SS101J		R 1376	(A,91,27)	RS1/16SS0R0J	
R 1209	(B,109,41)	RS1/16SS221J		R 1378	(A,88,28)	RS1/16SS0R0J	
R 1251	(A,126,50)	RS1/16SS220J		R 1379	(A,87,32)	RS1/16SS0R0J	B
R 1252	(A,130,52)	RS1/16SS470J		R 1380	(A,89,54)	RS1/16SS101J	
R 1253	(B,76,30)	RS1/16SS0R0J		R 1381	(A,88,26)	RS1/16SS0R0J	
R 1256	(B,75,30)	RS1/16SS0R0J		R 1382	(A,85,53)	RS1/16SS101J	
R 1257	(A,128,52)	RS1/16SS470J		R 1383	(A,117,61)	RS1/16SS101J	
R 1258	(A,130,49)	RS1/16SS470J		R 1384	(A,120,61)	RS1/16SS102J	
R 1259	(A,129,56)	RS1/16SS470J		R 1385	(A,89,53)	RS1/16SS101J	
R 1260	(B,139,57)	RS1/16SS470J		R 1386	(A,88,46)	RS1/16SS101J	
R 1302	(A,97,22)	RS1/16SS273J		R 1387	(B,113,55)	RS1/16SS472J	
R 1303	(B,107,44)	RS1/16SS0R0J		R 1388	(A,84,46)	RS1/16SS101J	
R 1305	(A,106,21)	RS1/16SS121J		R 1389	(A,88,45)	RS1/16SS101J	
R 1306	(A,106,19)	RS1/16SS104J		R 1391	(A,111,62)	RS1/16SS102J	C
R 1307	(B,123,27)	RS1/16SS473J		R 1392	(A,84,44)	RS1/16SS101J	
R 1310	(B,102,32)	RS1/16SS101J		R 1393	(A,88,30)	RS1/16SS101J	
R 1311	(B,120,28)	RS1/16SS472J		R 1395	(A,88,44)	RS1/16SS101J	
R 1312	(B,121,29)	RS1/16SS472J		R 1396	(A,85,43)	RS1/16SS101J	
R 1313	(B,118,28)	RS1/16SS472J		R 1398	(A,89,43)	RS1/16SS101J	
R 1314	(A,124,31)	RS1/16SS472J		R 1400	(A,89,42)	RS1/16SS101J	
R 1315	(B,119,28)	RS1/16SS472J		R 1402	(A,86,41)	RS1/16SS101J	
R 1316	(B,117,28)	RS1/16SS472J		R 1404	(A,89,40)	RS1/16SS101J	
R 1318	(B,110,51)	RS1/16SS104J		R 1406	(A,86,40)	RS1/16SS101J	
R 1319	(A,128,43)	RS1/16SS104J		R 1408	(A,89,38)	RS1/16SS101J	
R 1320	(A,126,52)	RS1/16SS104J		R 1410	(A,89,37)	RS1/16SS101J	D
R 1321	(A,126,56)	RS1/16SS104J		R 1412	(A,89,36)	RS1/16SS101J	
R 1322	(A,128,51)	RS1/16SS473J		R 1414	(A,87,35)	RS1/16SS101J	
R 1323	(A,118,61)	RS1/16SS101J		R 1416	(A,87,34)	RS1/16SS0R0J	
R 1324	(A,123,57)	RS1/16SS104J		R 1418	(A,126,39)	RS1/16SS101J	
R 1325	(A,100,59)	RS1/16SS2402F		R 1419	(A,97,25)	RS1/16SS0R0J	
R 1326	(A,103,61)	RS1/16SS681J		R 1423	(A,113,23)	RS1/16SS222J	
R 1327	(B,105,60)	RS1/16SS5601F		R 1424	(A,123,59)	RS1/16SS0R0J	
R 1328	(A,112,62)	RS1/16SS222J		R 1425	(A,89,24)	RS1/16SS0R0J	
R 1329	(B,113,57)	RS1/16SS473J		R 1426	(A,91,26)	RS1/16SS0R0J	
R 1330	(B,114,57)	RS1/16SS473J		R 1427	(A,85,32)	RS1/16SS0R0J	
R 1331	(A,106,64)	RS1/16SS103J		R 1428	(A,130,46)	RS1/16SS0R0J	E
R 1332	(A,106,65)	RS1/16SS101J		R 1429	(A,130,47)	RS1/16SS0R0J	
R 1333	(B,118,58)	RS1/16SS473J		R 1431	(A,100,61)	RS1/16SS104J	
R 1334	(A,114,62)	RS1/16SS473J		R 1432	(A,98,61)	RS1/16SS104J	
R 1335	(B,99,28)	RS1/16SS0R0J		R 1433	(A,98,64)	RS1/16SS104J	
R 1337	(A,96,23)	RS1/16SS101J		R 1434	(A,96,64)	RS1/16SS104J	
R 1338	(A,109,64)	RS1/16SS104J		R 1435	(A,91,63)	RS1/16SS104J	
R 1339	(A,98,65)	RS1/16SS273J		R 1436	(B,92,54)	RS1/16SS104J	
R 1340	(A,93,66)	RS1/16SS104J		R 1621	(B,140,108)	RS1/16SS750J	
R 1341	(A,126,46)	RS1/16SS104J		R 1622	(B,134,106)	RS1/16SS223J	
R 1342	(A,89,30)	RS1/16SS104J		R 1623	(B,123,110)	RS1/16SS223J	F
R 1344	(B,119,53)	RS1/16SS150J		R 1631	(B,45,110)	RS1/16SS821J	
R 1345	(B,103,29)	RS1/16SS473J		R 1632	(A,45,113)	RS1/16SS223J	
R 1347	(A,129,46)	RS1/16SS0R0J		R 1633	(A,37,109)	RS1/16SS472J	

1

**Circuit Symbol and No.**

R 1634 (A,34,113)  
 R 1635 (A,36,109)  
 R 1636 (B,39,110)

A

R 1637 (B,43,110)  
 R 1638 (A,40,113)  
 R 1639 (A,42,109)  
 R 1640 (A,43,109)  
 R 1641 (A,32,113)

■

R 1642 (B,37,110)  
 R 1643 (B,41,110)  
 R 1644 (A,38,113)  
 R 1645 (A,30,111)  
 R 1646 (A,29,111)

B

R 1647 (A,27,113)  
 R 1648 (B,35,110)  
 R 1662 (B,128,17)  
 R 1663 (B,126,10)  
 R 1664 (B,130,13)

■

R 1701 (A,138,104)  
 R 1702 (A,133,104)  
 R 1703 (A,133,105)  
 R 1713 (B,46,50) (D,E,F,G)  
 R 1714 (B,63,52) (A,B,C)  
 (B,63,52) (D,E,F,G)

C

R 1715 (B,46,56) (D,E,F,G)  
 R 1716 (B,47,57) (D,E,F,G)  
 R 1717 (B,48,51) (D,E,F,G)  
 R 1718 (B,48,50) (D,E,F,G)  
 R 1721 (A,122,98)

■

R 1722 (A,121,99)  
 R 1723 (A,121,101)  
 R 1724 (A,131,98)  
 R 1725 (A,132,98)  
 R 1726 (A,132,100)

D

R 1727 (A,123,97)  
 R 1729 (A,135,94)  
 R 1730 (A,134,98)  
 R 1731 (A,130,97)  
 R 1732 (A,128,112)

■

R 1733 (A,124,107)  
 R 1734 (A,125,107)  
 R 1735 (A,119,114)  
 R 1736 (A,128,113)  
 R 1737 (A,118,110)

E

R 1738 (A,118,114)  
 R 1739 (A,118,112)  
 R 1740 (A,121,108)  
 R 1763 (A,100,72)  
 R 1764 (A,109,80)

■

R 1782 (B,78,26)  
 R 1822 (A,88,96)  
 R 1823 (A,90,96)  
 R 1824 (A,86,97)  
 R 1902 (A,93,76)

F

R 1952 (B,149,66)  
 R 1953 (B,150,67)  
 R 1954 (B,150,65)  
 R 1955 (B,150,64)  
 R 1956 (B,150,68)

R 1957 (B,160,63)

2

**Part No.**

RS1/16SS223J  
 RS1/16SS472J  
 RS1/16SS821J

RS1/16SS821J  
 RS1/16SS223J  
 RS1/16SS472J  
 RS1/16SS472J  
 RS1/16SS223J

RS1/16SS821J  
 RS1/16SS821J  
 RS1/16SS223J  
 RS1/16SS472J  
 RS1/16SS472J

RS1/16SS223J  
 RS1/16SS821J  
 RS1/16SS103J  
 RS1/16SS122J  
 RS1/16SS152J

RS1/10SR222J  
 RS1/16SS562J  
 RS1/16SS332J  
 RS1/16SS4700D  
 RS1/16SS102J  
 RS1/16SS1001D

RS1/16SS102J  
 RS1/16SS102J  
 RS1/16SS473J  
 RS1/16SS473J  
 RS1/16SS153J

RS1/16SS153J  
 RS1/16SS153J  
 RS1/16SS153J  
 RS1/16SS153J  
 RS1/16SS153J

RS1/16SS153J  
 RS1/16SS102J  
 RS1/16SS472J  
 RS1/16SS153J  
 RS1/16SS153J

RS1/16SS273J  
 RS1/16SS273J  
 RS1/16SS153J  
 RS1/16SS473J  
 RS1/16SS153J

RS1/16SS153J  
 RS1/16SS153J  
 RS1/16SS153J  
 RS1/16SS103J  
 RS1/16SS0R0J

RS1/16SS0R0J  
 RS1/16SS823J  
 RS1/16SS103J  
 RS1/16SS153J  
 RS1/16SS0R0J

RS1/16SS561J  
 RS1/16SS3302D  
 RS1/16SS4301D  
 RS1/16SS3601D  
 RS1/16SS123J

RS1/16SS103J

3

**Circuit Symbol and No.**

R 1959 (B,160,75) 0.011 ohm  
 R 1960 (B,163,64)  
 R 1961 (B,163,63)  
 R 1962 (B,154,75) 0.012 ohm

R 1963 (B,158,63)  
 R 1964 (B,165,67)  
 R 1965 (B,165,64)  
 R 1966 (B,167,64)  
 R 1967 (B,165,66)

R 1968 (B,167,66)  
 R 2003 (B,145,39)  
 R 2011 (B,111,14)  
 R 2012 (B,112,13)  
 R 2013 (B,112,15)

R 2022 (B,82,18)  
 R 2024 (B,81,19)  
 R 2031 (B,79,22)  
 R 2101 (B,170,97)  
 R 2102 (B,168,97)

R 2103 (B,168,98)  
 R 2104 (B,170,98)  
 R 2105 (B,158,90)  
 R 2161 (A,156,110)  
 R 2162 (A,156,111)

R 2163 (A,156,108)  
 R 2164 (B,171,113)  
 R 2165 (B,171,110)  
 R 2166 (B,164,115)  
 R 2167 (B,165,115)

R 2168 (B,166,115)  
 R 2169 (B,157,110)  
 R 2170 (A,156,109)  
 R 2171 (A,158,103) 0.056 ohm  
 R 2172 (B,159,107)

R 2173 (B,172,103)  
 R 2174 (B,171,104)  
 R 2177 (B,166,113)  
 R 2178 (B,164,113)

R 3621 (B,29,35)  
 R 3641 (B,81,42)  
 R 3642 (B,61,40)  
 R 3643 (B,86,38)  
 R 3661 (B,101,41)

R 3662 (B,115,33)  
 R 3663 (B,114,32)  
 R 3664 (B,115,26)  
 R 3665 (A,115,43)  
 R 3666 (A,116,40)

R 3668 (A,121,38)  
 R 3669 (A,122,39)  
 R 3677 (B,113,27)  
 R 3678 (B,113,26)  
 R 3732 (B,136,44)

**CAPACITORS**

C 101 (B,125,69)  
 C 102 (B,125,70)  
 C 103 (B,125,71)  
 C 104 (B,125,72)  
 C 105 (B,125,73)

4

**Part No.**

CCN1341  
 RS1/16SS204J  
 RS1/16SS394J  
 CCN1321

RS1/16SS224J  
 RS1/16SS472J  
 RS1/16SS1101D  
 RS1/16SS3000D  
 RS1/16SS1002D

RS1/16SS511J  
 RS1/10SR0R0J  
 RS1/16SS472J  
 RS1/16SS223J  
 RS1/16SS473J

RS1/16SS0R0J  
 RS1/10SR0R0J  
 RS1/16SS102J  
 RS1/16SS3601D  
 RS1/16SS4702D

RS1/16SS2202D  
 RS1/16SS222J  
 RS1/8SQ0R0J  
 RS1/16SS102J  
 RS1/16SS102J

RS1/16SS102J  
 RS1/16SS224J  
 RS1/16SS4702D  
 RS1/16SS152J  
 RS1/16SS3302D

RS1/16SS8201D  
 RS1/16SS752J  
 RS1/16SS102J  
 ACN7160  
 RS1/16SS0R0J

RS1/16SS394J  
 RS1/16SS204J  
 RS1/16SS0R0J  
 RS1/16SS0R0J

RS1/16SS750J  
 RS1/16SS223J  
 RS1/16SS223J  
 RS1/16SS750J  
 RAB4CQ750J

RS1/16SS223J  
 RS1/16SS223J  
 RS1/16SS562J  
 RS1/10SR102J  
 RS1/10SR102J

RS1/10SR471J  
 RS1/10SR471J  
 RS1/16SS272J  
 RS1/16SS272J  
 RS1/10SR102J

CKSSYB104K10  
 CKSSYB104K10  
 CKSSYB104K10  
 CKSSYB104K10  
 CKSSYB104K10

5		6	7		8
<u>Circuit Symbol and No.</u>		<u>Part No.</u>	<u>Circuit Symbol and No.</u>		<u>Part No.</u>
C 106	(B,125,74)	CKSSYB104K10	C 281	(B,111,95)	CCSSCH101J50
C 107	(B,125,75)	CKSSYB104K10	C 282	(B,105,93)	CCSRCH102J50
C 108	(B,125,76)	CKSSYB104K10	C 283	(B,109,93) 10 uF	CCG1192
C 109	(B,126,78)	CKSSYB104K10	C 284	(B,108,98) 10 uF	CCG1192
C 110	(B,127,81) 10 uF	CCG1192	C 286	(B,103,94)	CKSSYB104K16
C 111	(B,126,83)	CKSSYB104K10	C 287	(B,127,96)	CCSSCH102J50
C 112	(B,125,83)	CKSSYB104K10	C 289	(B,130,100)	CCSSCH102J50
C 113	(B,128,66) 10 uF	CCG1192	C 290	(B,124,106)	CKSSYB103K16
C 114	(B,126,67)	CKSSYB104K10	C 292	(A,137,76) (E)	CKSRYB105K10
C 115	(B,130,83)	CKSRYB104K16	C 301	(B,86,102) 10 uF	CCG1192
C 116	(B,130,81) 10 uF	CCG1192	C 305	(A,113,113)	CKSRYB104K16
C 117	(B,133,80)	CKSRYB104K16	C 307	(B,74,123)	CCSSCH101J50
C 118	(B,134,81) 10 uF	CCG1192	C 308	(B,74,122)	CCSSCH100D50
C 119	(B,140,70)	CKSRYB105K10	C 311	(A,85,89)	XCEHVW101M16
C 120	(B,140,71)	CKSRYB105K10	C 321	(B,85,108) 4.7 uF	CCG1201
C 121	(B,140,73)	CKSRYB105K10	C 341	(A,95,111) 0.22 uF	CCG1313
C 122	(B,140,74)	CKSRYB105K10	C 342	(A,92,111) 0.22 uF	CCG1313
C 123	(B,140,75)	CKSRYB105K10	C 343	(A,102,112) 0.22 uF	CCG1313
C 124	(B,140,77)	CKSRYB105K10	C 344	(A,99,112) 0.22 uF	CCG1313
C 125	(B,140,78)	CKSRYB105K10	C 349	(A,105,112) 1 uF	CCG1325
C 126	(B,140,79)	CKSRYB105K10	C 350	(A,89,109) 4.7 uF	CCG1291
C 127	(B,140,81)	CKSRYB105K10	C 352	(B,74,121)	CKSRYB104K16
C 128	(B,132,66)	CKSRYB105K10	C 353	(A,86,109) 4.7 uF	CCG1291
C 129	(B,129,66)	CKSRYB105K10	C 454	(A,30,96) (A,E)	CCSSCK2R0C50
C 130	(B,122,77)	CKSSYB104K10	C 455	(A,23,96) (A,E)	CCSSCJ3R0C50
C 131	(B,125,77)	CKSSYB104K10	C 456	(B,24,83) (A)	CCSSCH5R0C50
C 132	(B,133,66)	CKSRYB105K10	C 458	(B,35,88) (A,E)	CCSSCH5R0C50
C 133	(B,136,65)	CKSRYB105K10	C 459	(B,31,82) (A,E)	CCSSCH4R0C50
C 134	(B,139,67)	CKSRYB105K10	C 460	(B,33,82) (A,E)	CCSSCH4R0C50
C 135	(B,141,67)	CKSRYB105K10	C 461	(B,29,84) (A,E)	CCSSCH4R0C50
C 136	(B,140,69)	CKSRYB105K10	C 509	(A,43,93)	CCSSCH330J50
C 137	(B,131,66)	CKSRYB105K10	C 510	(A,45,93)	CCSSCH6R0D50
C 138	(B,135,66)	CKSRYB105K10	C 512	(A,32,96)	CKSRYB103K50
C 139	(B,134,83)	CCSSCH102J50	C 513	(A,48,93)	CKSSYB103K16
C 140	(B,124,80)	CKSSYB271K50	C 514	(A,40,88)	CKSSYB104K10
C 201	(B,129,103)	CKSSYB222K50	C 515	(A,37,87)	CKSSYB104K10
C 203	(B,126,103) 2.2 uF	CCG1218	C 517	(A,48,90)	CKSSYB103K16
C 251	(B,116,107)	CCSSCH100D50	C 518	(A,46,85)	CKSSYB103K16
C 252	(B,110,94)	CCSSCH101J50	C 519	(A,39,87)	CKSSYB104K10
C 253	(B,113,103)	CKSRYB105K10	C 520	(A,33,90) (A,E)	CCSSCJ3R0C50
C 254	(B,112,106)	CCSQCH223J50	C 521	(A,39,86)	CKSSYB103K16
C 255	(B,114,106)	CCSQCH223J50	C 522	(A,36,87)	CKSSYB103K16
C 256	(B,116,105)	CKSRYB105K10	C 523	(A,35,87) 10 uF	CCG1192
C 260	(B,122,105)	CKSRYB105K10	C 524	(A,33,86)	CKSSYB223K16
C 261	(B,123,105)	CKSRYB105K10	C 525	(A,41,90)	CKSRYB105K10
C 262	(B,127,98)	CCSSCH101J50	C 527	(A,42,86)	CKSSYB103K16
C 263	(B,130,99)	CKSRYB104K16	C 529	(A,38,92) 10 uF	CCG1192
C 264	(B,127,100)	CKSRYB474K10	C 530	(A,30,83) 10 uF	CCG1192
C 265	(B,135,98) 10 uF	CCG1192	C 531	(A,33,83) (A,E)	CCSSCJ3R0C50
C 266	(B,126,96)	CCSSCH101J50	C 538	(A,31,82)	CKSSYB104K10
C 267	(B,129,95) 10 uF	CCG1192	C 539	(A,29,81)	CCSSCH101J50
C 269	(B,113,87)	CKSRYB105K10	C 540	(A,35,85)	CKSSYB104K10
C 270	(B,114,87)	CKSRYB105K10	C 541	(A,28,81)	CKSSYB103K16
C 271	(B,116,87)	CKSRYB105K10	C 542	(A,32,79)	CCSSCH820J50
C 272	(B,117,87)	CKSRYB105K10	C 543	(A,31,76) (A,E)	CKSSYB104K10
C 275	(B,117,85)	CCSSCH100D50	C 544	(A,30,73) 2.2 uF	CCG1218
C 276	(B,124,87)	CKSSYB104K10	C 545	(A,32,77)	CCSSCH101J50
C 277	(B,130,92) 10 uF	CCG1192	C 547	(A,31,72)	CKSSYB104K10
C 278	(B,108,100)	CCSRCH102J50	C 548	(A,34,70)	CKSSYB104K10
C 279	(B,111,101)	CKSRYB105K10	C 549	(A,33,70)	CKSSYB104K10

	1	2	3	4
	<u>Circuit Symbol and No.</u>	<u>Part No.</u>	<u>Circuit Symbol and No.</u>	<u>Part No.</u>
	C 550 (A,29,75)	CKSSYB104K10	C 1016 (B,79,71)	CKSRYB105K10
A	C 553 (A,32,72) (A,E)	CCSSCH220J50	C 1017 (B,78,71)	CKSRYB105K10
	C 554 (A,34,73)	CKSSYB102K50	C 1018 (B,76,71)	CKSRYB105K10
	C 555 (A,38,71)	CKSSYB104K10	C 1051 (B,82,50)	CKSSYB474K6R3
	C 556 (A,48,83) (A,E)	CCSSCH220J50	C 1052 (B,83,50)	CKSSYB474K6R3
	C 557 (A,52,85)	CKSRYB224K16	C 1053 (B,83,48)	CKSSYB474K6R3
	C 558 (A,48,81)	CKSSYB224K6R3	C 1054 (B,79,50)	CKSSYB103K16
	C 559 (A,51,82)	CKSRYB105K10	C 1055 (B,79,49)	CKSSYB102K50
	C 560 (A,50,79) (A,E)	CCSSCH100D50	C 1056 (B,81,50)	CKSSYB103K16
	C 561 (A,52,80) (A,E)	CCSSCH100D50	C 1057 (B,72,46) 10 uF	CCG1192
	C 562 (A,53,80)	CKSSYB472K25	C 1058 (B,74,45)	CKSSYB102K50
	C 563 (A,51,79)	CKSSYB472K25	C 1059 (B,90,46)	CKSSYB104K10
	C 564 (A,52,78)	CCSSCH100D50	C 1060 (B,73,45)	CKSSYB103K16
B	C 565 (A,48,78)	CKSSYB104K10	C 1061 (B,90,44)	CKSSYB104K10
	C 566 (A,52,73)	CCSSCH100D50	C 1062 (B,70,46)	CKSRYB105K10
	C 568 (A,46,71) 2.2 uF	CCG1218	C 1063 (B,72,42) 10 uF	CCG1192
	C 569 (A,46,72) (A,E)	CCSRCH220J50	C 1064 (B,74,42)	CKSSYB104K10
	C 570 (A,46,70)	CKSSYB104K10	C 1065 (B,74,40)	CKSSYB104K10
	C 571 (A,43,70) 2.2 uF	CCG1218	C 1066 (B,90,40)	CKSSYB104K10
	C 573 (A,44,71)	CKSSYB104K10	C 1067 (B,73,39)	CKSSYB104K10
	C 574 (A,48,75) (A,E)	CCSSCH220J50	C 1068 (B,90,38)	CKSSYB104K10
	C 601 (A,62,43)	CKSSYB104K10	C 1069 (B,89,36)	CKSSYB104K10
	C 602 (A,65,43)	CKSSYB104K10	C 1070 (B,73,35)	CCSSCH5R0C50
C	C 603 (B,58,44)	CKSSYB331K50	C 1071 (B,68,35)	CCSSCH5R0C50
	C 604 (A,63,68)	CKSSYB104K10	C 1072 (B,74,29) 10 uF	CCG1192
	C 606 (A,71,54)	CCSSCH8R0D50	C 1073 (B,79,33)	CKSSYB104K10
	C 607 (A,68,57)	CCSSCH100D50	C 1074 (B,81,33)	CKSSYB104K10
	C 608 (A,68,60)	CKSSYB104K10	C 1075 (B,74,32)	CKSSYB103K16
	C 610 (B,64,56)	CKSSYB104K10	C 1076 (B,71,29) 10 uF	CCG1192
	C 612 (B,65,59)	CKSSYB102K50	C 1078 (B,86,54)	CKSRYB105K10
	C 613 (A,44,54)	CKSSYB104K10	C 1079 (B,89,54)	CKSRYB105K10
	C 614 (A,57,73)	CKSSYB103K16	C 1080 (B,85,50)	CKSSYB103K16
	C 615 (A,57,74) 0.1 uF	CCG1321	C 1081 (B,85,49)	CKSSYB102K50
	C 619 (A,73,63) 1 uF	DCH1246	C 1082 (B,83,54)	CKSRYB105K10
	C 620 (A,68,59) 1 uF	DCH1246	C 1083 (B,79,55)	CKSRYB105K10
D	C 621 (A,57,72)	CCSSCH102J50	C 1085 (B,76,34) (A,E)	CCSSCH5R0C50
	C 751 (B,49,22)	CKSSYB104K10	C 1086 (B,88,46)	CKSSYB104K10
	C 753 (B,47,19) 10 uF	CCG1192	C 1101 (B,135,38)	CKSSYB104K10
	C 754 (B,52,17) 10 uF	CCG1192	C 1102 (B,131,33)	CKSSYB104K10
	C 756 (A,134,69)	CKSSYB104K10	C 1103 (B,127,33)	CKSSYB104K10
	C 801 (A,76,98)	XCEHAT332M16	C 1104 (B,122,34)	CKSSYB104K10
	C 821 (A,49,104)	CKSRYB104K50	C 1105 (B,110,38)	CKSSYB104K10
	C 831 (B,63,78)	CKSRYB104K50	C 1106 (B,129,49)	CKSSYB104K10
	C 841 (B,68,76)	CKSRYB105K10	C 1107 (B,125,49)	CKSSYB104K10
	C 861 (A,54,102)	CKSRYB104K50	C 1108 (B,120,49)	CCSSCH470J50
E	C 1001 (B,88,61)	CKSSYB104K10	C 1152 (B,98,49) 10 uF	CCG1192
	C 1002 (B,85,61)	CKSSYB104K10	C 1153 (B,104,55)	CKSSYB104K10
	C 1003 (B,81,61)	CKSSYB104K10	C 1154 (B,102,56) 10 uF	CCG1192
	C 1004 (B,77,61)	CKSSYB104K10	C 1155 (B,98,53)	CKSSYB182K50
	C 1005 (B,89,65)	CKSSYB104K10	C 1156 (B,109,54)	CKSSYB182K50
	C 1006 (B,93,67) 10 uF	CCG1192	C 1201 (B,109,38)	CKSSYB104K10
	C 1007 (B,85,65)	CKSSYB104K10	C 1202 (B,109,39)	CKSSYB102K50
	C 1008 (B,80,65)	CKSSYB104K10	C 1251 (B,139,53)	CKSSYB104K10
	C 1009 (B,76,65)	CKSSYB104K10	C 1301 (A,96,25)	CKSSYB104K10
	C 1010 (B,90,71)	CKSRYB105K10	C 1302 (A,100,25)	CKSSYB104K10
	C 1011 (B,88,71)	CKSRYB105K10	C 1303 (A,103,26)	CKSSYB104K10
F	C 1012 (B,86,71)	CKSRYB105K10	C 1304 (A,106,25)	CKSSYB104K10
	C 1013 (B,85,71)	CKSRYB105K10	C 1305 (A,108,24)	CKSSYB104K10
	C 1014 (B,83,72)	CKSRYB105K10	C 1306 (A,110,25)	CKSSYB104K10
	C 1015 (B,81,71)	CKSRYB105K10	C 1307 (A,114,25)	CKSSYB104K10

5		6		7		8	
<u>Circuit Symbol and No.</u>		<u>Part No.</u>		<u>Circuit Symbol and No.</u>		<u>Part No.</u>	
C 1308	(A,117,25)	CKSSYB104K10		C 1369	(A,82,41)	CCSSCH560J50	
C 1309	(B,109,43)	CCSSCH470J50		C 1370	(A,82,40)	CCSSCH560J50	
C 1310	(A,124,30)	CKSSYB104K10		C 1371	(A,80,41)	CCSSCH560J50	A
C 1311	(A,124,32)	CKSSYB104K10		C 1372	(A,80,42)	CCSSCH560J50	
C 1312	(A,124,34)	CKSSYB104K10		C 1373	(A,79,42)	CCSSCH560J50	
C 1313	(A,125,36)	CKSSYB104K10		C 1374	(A,77,42)	CCSSCH560J50	
C 1314	(A,124,38)	CKSSYB104K10		C 1375	(A,81,46)	CCSSCH560J50	
C 1315	(A,124,40)	CKSSYB104K10		C 1376	(A,79,46)	CCSSCH560J50	
C 1316	(A,124,41)	CKSSYB104K10		C 1377	(A,81,50)	CCSSCH560J50	
C 1317	(A,125,43)	CKSSYB104K10		C 1379	(A,81,52)	CCSSCH560J50	
C 1318	(A,124,46)	CKSSYB104K10		C 1380	(A,81,54)	CCSSCH560J50	
C 1319	(A,124,49)	CKSSYB104K10		C 1382	(A,86,26)	CCSSCH150J50	
C 1320	(B,122,52)	CKSSYB104K10		C 1383	(A,86,33)	CCSSCH6R0D50	
C 1321	(B,122,53)	CKSSYB104K10		C 1384	(A,110,60) 1 uF	DCH1246	B
C 1322	(A,123,54)	CKSSYB104K10		C 1386	(B,139,48)	CCSRCH102J50	
C 1323	(A,125,57)	CKSSYB104K10		C 1387	(B,108,26)	CCSRCH331J50	
C 1324	(A,94,60)	CKSSYB104K10		C 1388	(B,136,48)	CCSRCH331J50	
C 1325	(A,96,60)	CKSSYB104K10		C 1389	(B,110,26)	CCSRCH102J50	
C 1326	(A,101,59)	CKSSYB104K10		C 1390	(A,90,30) (A,E)	CCSSCH100D50	
C 1327	(A,102,60)	CKSSYB104K10		C 1399	(A,128,39)	CKSRYP224K16	
C 1328	(B,105,57)	CKSSYB104K10		C 1601	(A,156,105)	CKSRYP104K50	
C 1329	(B,106,57)	CKSSYB104K10		C 1607	(A,46,112) (A,E)	CCSRCH270J50	
C 1330	(A,105,60)	CKSSYB104K10		C 1608	(A,36,115) (A,E)	CCSRCH270J50	
C 1331	(B,107,57)	CKSSYB104K10		C 1609	(A,42,115) (A,E)	CCSRCH270J50	
C 1332	(A,109,60)	CKSSYB104K10		C 1610	(A,32,111) (A,E)	CCSRCH270J50	C
C 1333	(A,113,60)	CKSSYB104K10		C 1611	(A,40,110) (A,E)	CCSRCH270J50	
C 1334	(B,111,57)	CKSSYB104K10		C 1612	(A,27,115) (A,E)	CCSRCH270J50	
C 1335	(A,114,60)	CKSSYB104K10		C 1621	(B,139,111)	CKSRYP104K50	
C 1336	(A,106,63) 1 uF	DCH1246		C 1622	(B,119,110)	CKSRYP104K50	
C 1337	(A,103,63)	CCSSCH100D50		C 1624	(B,131,111)	CKSRYP104K50	
C 1338	(A,102,67)	CCSSCH100D50		C 1631	(B,45,107) 4.7 uF	CCG1201	
C 1339	(A,110,64)	CCSSCH120J50		C 1632	(B,39,107) 4.7 uF	CCG1201	
C 1340	(A,116,65)	CCSSCH120J50		C 1633	(B,43,107) 4.7 uF	CCG1201	
C 1341	(B,93,22)	CKSSYB104K10		C 1634	(B,37,107) 4.7 uF	CCG1201	
C 1342	(B,92,32)	CKSSYB104K10		C 1635	(B,41,107) 4.7 uF	CCG1201	
C 1343	(B,92,33)	CKSSYB104K10		C 1636	(B,35,107) 4.7 uF	CCG1201	D
C 1344	(B,92,37)	CKSSYB104K10		C 1661	(B,126,13)	CKSSYB471K50	
C 1345	(B,92,38)	CKSSYB104K10		C 1701	(B,65,25)	CKSSYB471K50	
C 1346	(B,92,41)	CKSSYB104K10		C 1702	(B,63,25)	CKSSYB104K10	
C 1347	(B,92,42)	CKSSYB104K10		C 1703	(A,83,32)	CKSSYB104K16	
C 1348	(B,92,45)	CKSSYB104K10		C 1704	(B,78,29)	CKSSYB104K10	
C 1349	(B,92,46)	CKSSYB104K10		C 1707	(B,51,34) (E)	CKSRYP105K10	
C 1350	(B,93,48)	CKSSYB104K10		C 1721	(A,122,101)	CCSSCH101J50	
C 1351	(A,84,49)	CCSSCH120J50		C 1722	(A,130,93)	CKSRYP105K10	
C 1352	(B,93,49)	CKSSYB104K10		C 1723	(A,134,100)	CKSRYP105K10	
C 1353	(A,89,50)	CCSSCH120J50		C 1724	(A,131,100)	CCSSCH101J50	
C 1354	(B,93,51)	CKSSYB104K10		C 1725	(A,127,103)	CKSSYB104K10	E
C 1355	(B,108,22)	CKSSYB103K16		C 1731	(A,125,104) 2.2 uF	CCG1218	
C 1356	(B,138,46)	CKSSYB103K16		C 1732	(A,124,104) 2.2 uF	CCG1218	
C 1357	(B,106,25) 10 uF	CCG1192		C 1733	(A,122,110)	CKSSYB104K10	
C 1358	(B,139,45) 10 uF	CCG1192		C 1734	(A,119,112)	CCSSCH101J50	
C 1360	(A,87,30)	CCSSCH470J50		C 1735	(A,120,109) 2.2 uF	CCG1218	
C 1361	(B,101,34)	CCSSCH560J50		C 1801	(A,64,76)	XCEHVV470M16	
C 1362	(A,84,34)	CCSSCH560J50		C 1802	(B,57,85)	CKSSYB104K10	
C 1363	(A,83,35)	CCSSCH560J50		C 1803	(B,63,82)	CKSRYP104K50	
C 1364	(A,82,35)	CCSSCH560J50		C 1804	(A,75,86)	XCEHAT102M16	
C 1365	(A,86,37)	CCSSCH560J50		C 1821	(A,101,99)	XCEHVV101M16	F
C 1366	(A,84,37)	CCSSCH560J50		C 1822	(A,84,102)	CKSRYP105K16	
C 1367	(A,83,38)	CCSSCH560J50		C 1901	(B,35,62) 10 uF	CCG1192	
C 1368	(A,81,38)	CCSSCH560J50		C 1902	(B,32,61)	CKSRYP105K10	

	1	2
	<u>Circuit Symbol and No.</u>	<u>Part No.</u>
	C 1951 (B,150,66)	CCSSCH471J50
	C 1952 (B,150,69)	CKSSYB103K16
A	C 1953 (B,152,68)	CCSSCH8R0D50
	C 1954 (B,164,68)	CCSSCH8R0D50
	C 1955 (B,165,68)	CKSSYB103K16
	C 1956 (B,165,65)	CCSSCH102J50
	C 1957 (A,163,39)	CKSSYB102K50
	C 1958 (A,163,40)	CKSSYB104K10
	C 1959 (A,162,42) 10 uF	CCG1236
	C 1960 (A,162,44) 10 uF	CCG1236
	C 1961 (A,162,47) 47 uF	CCG1229
	C 1963 (B,159,73)	CKSRYB473K50
	C 1964 (B,156,73)	CKSRYB102K50
B	C 1965 (B,157,82) 10 uF	CCG1236
	C 1966 (B,159,63)	CKSSYB104K10
	C 1967 (B,157,79) 10 uF	CCG1236
	C 1968 (B,157,77) 10 uF	CCG1236
	C 1969 (B,164,69)	CKSSYB104K16
	C 1970 (B,152,70)	CKSSYB104K16
	C 1971 (B,157,63)	CKSSYB104K10
	C 1972 (B,152,66)	CKSRYB105K10
	C 1974 (A,152,48) 47 uF	CCG1229
	C 1975 (B,158,86)	CKSRYB102K50
	C 1976 (A,152,45) 10 uF	CCG1236
C	C 1977 (B,157,84) 10 uF	CCG1236
	C 1978 (A,152,43) 10 uF	CCG1236
	C 1979 (A,164,83)	XCEHAT332M16
	C 1980 (A,151,41)	CKSSYB104K10
	C 1981 (A,151,40)	CKSSYB102K50
	C 2011 (B,109,15)	CKSRYB105K10
	C 2012 (B,122,12)	CKSRYB105K10
	C 2023 (B,85,25) 10 uF	CCG1192
	C 2031 (B,76,23)	CKSRYB105K10
	C 2032 (B,80,25)	CKSRYB105K10
	C 2071 (A,147,37)	CKSSYB104K10
D	C 2083 (A,21,15)	CKSSYB104K10
	C 2101 (A,157,90)	CKSSYB103K16
	C 2102 (A,156,88) 10 uF	CCG1236
	C 2105 (B,168,100)	CKSSYB682K25
	C 2106 (B,163,91)	CKSSYB103K16
	C 2107 (B,159,94) 10 uF	CCG1236
	C 2108 (B,158,92)	CKSSYB103K16
	C 2109 (A,154,82)	XCEHVW470M16
	C 2151 (A,49,23)	CKSRYB104K16
	C 2152 (A,140,85) (A,E)	CKSSYB102K50
	C 2161 (B,170,103)	CKSSYB104K16
E	C 2162 (B,158,104) 10 uF	CCG1236
	C 2163 (A,165,118)	XCEHVW101M16
	C 2164 (B,167,113)	CKSRYB105K10
	C 2165 (B,172,113)	CKSSYB102K50
	C 2166 (B,170,113)	CKSSYB472K25
	C 2167 (B,171,106)	CKSSYB104K16
	C 2168 (B,163,113)	CCSSCH471J50
	C 2169 (B,157,109)	CKSSYB222K50
	C 2170 (B,158,109)	CCSSCH270J50
	C 2172 (A,164,110)	XCEHVW470M16
F	C 2173 (B,160,108)	CKSSYB104K16
	C 2185 (A,156,107)	CKSSYB104K16
	C 2186 (A,159,106) 22 uF	DCH1256
	C 3601 (B,117,33) 2.2 uF	CCG1218

	3	4
	<u>Circuit Symbol and No.</u>	<u>Part No.</u>
	C 3602 (B,117,32) 2.2 uF	CCG1218
	C 3603 (B,117,30) 2.2 uF	CCG1218
	C 3604 (B,117,27) 2.2 uF	CCG1218
	C 3605 (B,117,25) 2.2 uF	CCG1218
	C 3641 (B,80,35)	CKSRYB104K50
	C 3642 (B,70,21)	CKSRYB104K50
	C 3721 (B,106,30)	CKSRYB102K50
	C 3722 (A,118,35)	CKSRYB102K50
	C 3723 (A,119,39)	CKSRYB102K50
	C 3724 (A,117,43)	CKSRYB102K50
	C 3725 (A,121,43)	CCSRCH180J50
	C 3726 (A,125,43)	CCSRCH180J50
	C 3744 (A,77,35)	CKSRYB105K10



**Unit Number : YWX5032**  
**Unit Name : DVD Core Unit**

**MISCELLANEOUS**

IC 1002 (B,15,13) Regulator IC	S-1133B50-U5
IC 1003 (B,37,11) IC	S-1200B50-M5
IC 1004 (B,64,28) IC	NJM2855DL1-33
IC 1251 (A,12,42) IC	BA5839FP
IC 1401 (B,27,41) Flash ROM Unit	CWW5043
IC 1402 (B,45,28) Flash ROM Unit	CWW5044
IC 1480 (A,64,30) RAM IC	M12L64164A-5TG2Y
IC 1501 (A,39,33) IC	MN2DS0018MA
IC 1801 (B,34,16) D/A Converter	PCM1753DBQ
IC 1951 (A,28,49) Logic IC	TC7SZU04FU
IC 1953 (B,57,17) IC	S-1135D12-A6
Q 1101 (B,13,59) Transistor	LSCR523UB
Q 1102 (B,13,56) Transistor	LSCR523UB
Q 1103 (B,10,63) Transistor	2SB1132
Q 1104 (B,22,54) Transistor	2SB1132
D 1901 (B,50,10) Diode	RSB6R8SM
D 1902 (B,50,9) Diode	RSB6R8SM
L 1501 (A,54,31) Inductor	CTF1743
L 1511 (A,48,17) Chip Beads	VTL1126
L 1902 (A,17,17) Inductor	CTF1487
L 1903 (B,63,16) Inductor	CTF1558
L 1904 (A,68,18) Ferrite Bead	CTF1528
X 1501 (B,48,18) Oscillator 27.000 MHz	CSS1823
X 1950 (A,23,51) Oscillator 48.000 MHz	CSS1760
F 1001 (A,14,19) Chip EMI Filter	DTF1106
F 1002 (B,63,18) Chip EMI Filter	DTL1106
S 1 (A,47,55) Spring Switch(HOME)	CSN1080
S 3 (B,25,13) Spring Switch(12EJ)	CSN1081
VR1101 (A,7,63) Semi-fixed 6.8 kohm(B)	CCP1447
VR1102 (A,7,60) Semi-fixed 15 kohm(B)	CCP1449
CN1101 (A,21,63) Connector	CKS6331
CN1952 (A,42,11) Connector	CKS6025

**RESISTORS**

R 1004 (B,12,20)	RS1/16SS4702D
R 1007 (B,12,21)	RS1/16SS6801D
R 1019 (B,34,7)	RS1/16SS101J
R 1025 (B,36,6)	RS1/16SS101J
R 1027 (A,40,18)	RS1/16SS101J

5  
**Circuit Symbol and No.**

6  
**Part No.**

7  
**Circuit Symbol and No.**

8  
**Part No.**

R 1101 (B,15,57)  
R 1102 (B,10,56)  
R 1103 (B,14,61)  
R 1104 (B,11,59)  
R 1105 (B,17,54)

RS1/16SS104J  
RS1/16SS104J  
RS1/16SS4300F  
RS1/16SS5100F  
RS1/16SS4300F

R 1525 (A,24,44)  
R 1526 (A,22,40)  
R 1527 (A,35,49)  
R 1528 (B,19,34)  
R 1529 (B,35,21)

RS1/16SS103J  
RS1/16SS103J  
RS1/16SS682J  
RS1/16SS103J  
RS1/16SS103J

A

R 1106 (B,10,57)  
R 1109 (B,6,57)  
R 1110 (B,16,54)  
R 1111 (B,6,63)  
R 1112 (B,5,58)

RS1/16SS5600F  
RS1/16SS3R3J  
RS1/16SS3R3J  
RS1/10SR3R3J  
RS1/10SR3R3J

R 1530 (B,17,34)  
R 1531 (B,33,30)  
R 1532 (A,24,42)  
R 1534 (B,29,48)  
R 1535 (A,22,44)

RS1/16SS103J  
RS1/16SS103J  
RS1/16SS101J  
RS1/16SS221J  
RS1/16SS104J

R 1113 (B,15,59)  
R 1114 (B,19,57)  
R 1115 (B,6,61)  
R 1116 (B,6,62)  
R 1117 (B,17,59)

RS1/10SR3R9J  
RS1/10SR3R3J  
RS1/10SR2R7J  
RS1/10SR2R7J  
RS1/10SR3R9J

R 1536 (B,32,48)  
R 1537 (A,24,46)  
R 1538 (A,55,35)  
R 1539 (B,33,48)  
R 1540 (A,26,46)

RS1/16SS104J  
RS1/16SS104J  
RS1/16SS104J  
RS1/16SS104J  
RS1/16SS221J

B

R 1118 (B,16,59)  
R 1223 (A,42,50)  
R 1225 (B,29,8)  
R 1251 (A,5,48)  
R 1252 (A,5,47)

RS1/10SR3R9J  
RS1/16SS561J  
RS1/16SS471J  
RS1/16SS333J  
RS1/16SS473J

R 1541 (A,26,45)  
R 1542 (B,26,34)  
R 1543 (A,32,48)  
R 1544 (A,36,48)  
R 1546 (A,33,49)

RS1/16SS221J  
RS1/16SS103J  
RS1/16SS181J  
RS1/16SS181J  
RS1/16SS682J

R 1253 (A,5,46)  
R 1254 (A,5,45)  
R 1255 (A,21,48)  
R 1256 (A,21,46)  
R 1257 (B,8,37)

RS1/16SS333J  
RS1/16SS473J  
RS1/16SS183J  
RS1/16SS752J  
RS1/16SS221J

R 1601 (A,32,17)  
R 1602 (A,32,18)  
R 1603 (B,31,21)  
R 1604 (A,23,21)  
R 1605 (A,22,23)

RS1/16SS123J  
RS1/16SS123J  
RS1/16SS1002D  
RS1/16SS105J  
RS1/16SS105J

C

R 1258 (A,19,39)  
R 1401 (B,34,28)  
R 1402 (B,34,47)  
R 1405 (B,55,35)  
R 1406 (B,39,45)

RS1/16SS221J  
RS1/16SS221J  
RS1/16SS104J  
RS1/16SS104J  
RS1/16SS472J

R 1670 (B,40,21)  
R 1671 (B,42,19)  
R 1672 (A,39,18)  
R 1674 (A,36,17)  
R 1801 (B,41,8)

RS1/16SS1002D  
RS1/16SS2402D  
RS1/16SS2000D  
RS1/16SS3002D  
RS1/16SS104J

R 1480 (A,72,24)  
R 1481 (A,72,28)  
R 1482 (A,72,32)  
R 1483 (A,72,35)  
R 1484 (A,72,39)

RAB4CQ560J  
RAB4CQ560J  
RAB4CQ560J  
RAB4CQ560J  
RAB4CQ560J

R 1802 (B,43,8)  
R 1803 (B,37,13)  
R 1804 (B,39,14)  
R 1950 (A,44,18)  
R 1951 (A,42,18)

RS1/16SS104J  
RS1/16SS821J  
RS1/16SS821J  
RS1/10SR24R0F  
RS1/10SR24R0F

D

R 1485 (A,55,22)  
R 1486 (A,55,28)  
R 1487 (A,56,37)  
R 1488 (A,55,40)  
R 1489 (A,54,30)

RAB4CQ560J  
RAB4CQ560J  
RAB4CQ560J  
RAB4CQ560J  
RS1/16SS560J

R 1952 (A,26,50)  
R 1953 (A,26,51)  
R 1954 (A,48,5)  
R 1955 (A,50,5)  
R 1982 (A,10,62)

RS1/16SS105J  
RS1/16SS821J  
RS1/16SS153J  
RS1/16SS153J  
RS1/16SS822J

R 1490 (A,72,21)  
R 1501 (B,48,21)  
R 1503 (B,46,21)  
R 1504 (A,50,17)  
R 1505 (B,45,15)

RS1/16SS560J  
RS1/16SS122J  
RS1/16SS105J  
RS1/16SS121J  
RS1/16SS101J

R 1983 (B,40,20)  
R 1987 (B,43,21)

RS1/16SS1000D  
RS1/16SS0R0J

**CAPACITORS**

R 1506 (B,45,14)  
R 1507 (B,43,17)  
R 1508 (B,42,18)  
R 1509 (A,20,34)  
R 1510 (A,11,29)

RS1/16SS101J  
RS1/16SS101J  
RS1/16SS221J  
RS1/16SS102J  
RS1/16SS102J

C 1001 (B,34,10)  
C 1002 (B,12,17)  
C 1003 (B,15,19)  
C 1004 (B,15,17) 4.7 uF  
C 1005 (B,40,11)

CKSRYB105K10  
CKSSYB104K16  
CKSSYB104K16  
CCG1201  
CKSRYB105K16

E

R 1512 (A,55,32)  
R 1513 (A,23,38)  
R 1514 (A,24,40)  
R 1516 (A,24,36)  
R 1517 (B,57,22)

RS1/16SS470J  
RS1/16SS103J  
RS1/16SS183J  
RS1/16SS104J  
RS1/16SS103J

C 1010 (B,60,23)  
C 1011 (B,64,22)  
C 1015 (A,25,7)  
C 1016 (B,64,15)  
C 1018 (B,14,21)

CKSQYB225K10  
CKSRYB105K10  
CKSSYB102K50  
CKSSYB102K50  
CKSSYB104K10

R 1518 (B,33,31)  
R 1519 (A,24,43)  
R 1522 (A,21,37)  
R 1523 (A,22,37)  
R 1524 (B,29,33)

RS1/16SS103J  
RS1/16SS102J  
RS1/16SS104J  
RS1/16SS221J  
RS1/16SS472J

C 1040 (B,51,7)  
C 1041 (B,19,11)  
C 1101 (B,14,53) 10 uF  
C 1104 (B,7,57)  
C 1105 (B,18,54)

CCSRCH821J50  
CCSRCH271J50  
CCG1192  
CKSSYB104K10  
CKSSYB104K10

F

	1	2	3	4
	<u>Circuit Symbol and No.</u>	<u>Part No.</u>	<u>Circuit Symbol and No.</u>	<u>Part No.</u>
A	C 1106 (B,8,66)	CKSSYB103K16	C 1606 (A,35,19)	CKSSYB104K10
	C 1107 (B,25,53)	CKSSYB103K16	C 1607 (A,20,24) 10 uF	CCG1192
	C 1108 (A,19,57)	CKSSYB103K16	C 1608 (A,28,18) 4.7 uF	CCG1201
	C 1109 (A,7,57)	CKSRYB224K16	C 1609 (A,26,22)	CKSSYB104K10
	C 1110 (A,17,58)	CKSSYB103K16	C 1612 (A,24,24)	CKSSYB104K10
B	C 1111 (A,9,66)	CKSRYB224K16	C 1613 (A,24,25)	CKSSYB104K10
	C 1112 (B,17,52) 22 uF	DCH1256	C 1614 (A,22,24)	CKSSYB104K10
	C 1113 (B,8,58) 22 uF	DCH1256	C 1615 (A,23,26)	CKSSYB104K10
	C 1210 (B,77,34)	CKSSYB104K16	C 1616 (A,24,27)	CKSSYB104K10
	C 1251 (B,12,41)	CEVW101M16	C 1617 (B,27,28)	CKSSYB104K10
C	C 1252 (B,7,41) 4.7 uF	CCG1222	C 1618 (A,22,29)	CCSSCH101J50
	C 1253 (B,7,39)	CKSSYB104K16	C 1619 (A,23,30)	CKSSYB562K25
	C 1254 (A,6,38)	CKSSYB104K16	C 1620 (B,27,30)	CKSSYB224K6R3
	C 1255 (A,18,37)	CKSSYB104K16	C 1621 (A,22,31)	CKSSYB224K6R3
	C 1401 (B,34,27)	CKSSYB104K16	C 1622 (A,24,31)	CKSSYB333K16
D	C 1403 (B,39,40)	CKSSYB104K10	C 1623 (A,27,20)	CKSRYB105K10
	C 1404 (B,40,40) 4.7 uF	CCG1201	C 1624 (A,24,32)	CKSSYB104K10
	C 1408 (B,57,27)	CKSSYB104K10	C 1625 (A,24,29)	CKSSYB104K10
	C 1409 (B,58,29) 4.7 uF	CCG1201	C 1671 (A,41,18)	CKSSYB104K10
	C 1410 (B,33,29)	CKSSYB104K16	C 1673 (A,37,19)	CKSSYB104K10
E	C 1480 (A,71,19)	CKSSYB104K10	C 1674 (B,42,20)	CKSSYB104K10
	C 1481 (A,72,22)	CKSSYB104K10	C 1676 (B,38,21)	CKSRYB105K10
	C 1482 (A,72,26)	CKSSYB104K10	C 1801 (B,42,10) 4.7 uF	CCG1201
	C 1484 (A,72,30)	CKSSYB104K10	C 1802 (B,46,10) 4.7 uF	CCG1201
	C 1485 (A,72,41)	CKSSYB104K10	C 1803 (B,42,12)	CCSRCH182J50
F	C 1487 (A,57,29)	CKSSYB104K10	C 1804 (B,45,12)	CCSRCH182J50
	C 1488 (A,57,25)	CKSSYB104K10	C 1805 (B,34,13)	CKSSYB104K10
	C 1489 (A,64,17) 10 uF	CCG1192	C 1806 (B,32,13) 10 uF	CCG1192
	C 1490 (A,66,18)	CKSSYB102K50	C 1809 (B,39,16)	CKSSYB104K10
	C 1501 (B,61,20) 10 uF	CCG1192	C 1950 (A,27,51)	CKSSYB104K10
G	C 1502 (B,54,20) 10 uF	CCG1192	C 1951 (A,23,54)	CCSSCH100D50
	C 1503 (A,54,33)	CKSSYB104K10	C 1952 (A,24,48)	CCSSCH100D50
	C 1504 (A,53,24)	CKSSYB104K10	C 1953 (B,60,17)	CKSRYB105K10
	C 1505 (A,53,27)	CKSSYB104K10	C 1954 (B,54,17)	CKSRYB105K10
	C 1506 (B,52,35)	CKSSYB104K10	C 1955 (B,77,40)	CKSSYB104K16
H	C 1507 (A,53,36)	CKSSYB104K10		
	C 1508 (A,53,39)	CKSSYB104K10		
	C 1509 (A,53,42)	CKSSYB104K10		
	C 1510 (B,51,18)	CCSSCH100D50		
	C 1511 (A,48,18)	CKSSYB104K10		
I	C 1512 (B,45,18)	CCSSCH100D50		
	C 1513 (A,48,48)	CKSSYB104K10		
	C 1514 (B,45,21)	CKSSYB104K10		
	C 1515 (A,45,18)	CKSSYB104K10		
	C 1516 (A,43,48)	CKSSYB104K10		
J	C 1517 (A,42,48)	CKSSYB104K10		
	C 1518 (A,38,48)	CKSSYB104K10		
	C 1519 (A,34,47)	CKSSYB104K10		
	C 1520 (A,27,47)	CKSSYB104K10		
	C 1521 (A,24,34)	CKSSYB104K10		
K	C 1522 (A,25,38)	CKSSYB104K10		
	C 1523 (A,20,46)	CKSSYB224K6R3		
	C 1524 (A,20,48)	CKSSYB473K16		
	C 1526 (A,24,37)	CKSSYB103K16		
	C 1528 (B,30,48)	CCSSCH471J50		
L	C 1601 (A,32,19)	CKSSYB103K16		
	C 1602 (A,34,17)	CCSSCH101J50		
	C 1603 (A,33,18)	CCSSCH101J50		
	C 1604 (A,30,17)	CCSSCH680J50		
	C 1605 (A,30,18)	CCSSCH680J50		

**D**  
**Unit Number : CXX6055**  
**Unit Name : Service Unit(Monitor)**

**MISCELLANEOUS**

IC 5101 (A,25,67) IC	R1290K103A
IC 5102 (A,71,40) Regulator IC	MM3479A33P
IC 5201 (A,110,69) IC	BD81A04EFV-M
IC 5301 (A,114,26) IC	AK4187VN
Q 5101 (A,30,61) Transistor	LTC014EEB
Q 5103 (A,13,28) Transistor	LSAR523UB
Q 5106 (A,24,76) Transistor	2SA1577
Q 5401 (A,101,42) Chip Transistor	HN1C01FU
Q 5402 (A,99,45) Transistor	LSCR523UB
D 5101 (A,17,71) Diode	RB162M-40
D 5103 (A,32,75) Diode	DB3S308F0
D 5104 (A,34,75) Diode	DB3S308F0
D 5105 (A,34,67) Diode	DB3S308F0
D 5132 (A,72,49) Diode	CRG03
D 5201 (A,111,56) Diode	RB060M-30
L 5001 (A,9,46) Inductor	CTF1635
L 5002 (A,9,52) Chip Inductor	DTL1096

5		6		7		8	
<u>Circuit Symbol and No.</u>		<u>Part No.</u>	<u>Circuit Symbol and No.</u>		<u>Part No.</u>		
L 5003	(A,21,44) Chip Inductor	DTL1096	R 5135	(A,19,62)	RS1/16SS1203D		
L 5004	(A,14,36) Chip Ferrite Bead	BTX1042	R 5136	(A,18,62)	RS1/16SS472J		
L 5101	(A,21,73) Choke Coil 22 uH	CTH1426					
L 5102	(A,8,32) Inductor	LCTAW101J2520	R 5140	(A,30,67)	RS1/16SS9102D	A	
L 5202	(A,106,58) Inductor	CTH1526	R 5141	(A,30,66)	RS1/16SS1802D		
			R 5142	(A,31,69)	RS1/16SS1003D		
L 5205	(A,109,62) Chip Beads	VTL1128	R 5143	(A,29,69)	RS1/16SS9101D		
L 5303	(A,112,18) Chip Beads	VTL1134	R 5144	(B,23,68)	RS1/16SS0R0J		
TH5201	(A,104,15) Thermistor	CCX1058					
CN5001	(A,34,32) Connector	CKS6536	R 5202	(A,113,76)	RS1/16SS273J		
CN5202	(A,127,31) Connector	CKS6523	R 5203	(A,114,76)	RS1/16SS511J		
			R 5205	(B,108,66)	RS1/16SS1503D		
CN5301	(A,121,17) Connector	CKS6548	R 5206	(B,108,67)	RS1/16SS1003D		
CN5401	(A,58,69) Connector	CKS6536	R 5207	(A,97,74)	RS1/16SS101J		
CN5402	(A,113,42) Connector	CKS6063					
			R 5212	(B,106,65)	RS1/16SS3603D		
			R 5213	(B,106,66)	RS1/16SS2402D	B	
			R 5219	(A,103,74)	RS1/16SS104J		
			R 5220	(A,103,73)	RS1/16SS154J		
			R 5222	(A,74,63)	RS1/10SR0R0J		
R 5001	(A,60,18)	RS1/16SS4R7J					
R 5002	(A,62,18)	RS1/16SS56R0D					
R 5003	(A,61,20)	RS1/16SS1800D	R 5223	(A,132,71)	RS1/10SR0R0J		
R 5004	(A,60,21)	RS1/16SS2R2J	R 5225	(A,112,60)	RS1/8SQ2R2J		
R 5005	(A,61,22)	RS1/16SS47R0D	R 5302	(B,119,21)	RS1/16SS201J		
R 5006	(A,60,22)	RS1/16SS0R0J	R 5304	(A,109,27)	RS1/16SS472J		
R 5007	(A,61,23)	RS1/16SS39R0D	R 5305	(A,109,28)	RS1/16SS472J		
R 5008	(A,60,24)	RS1/16SS4R7J	R 5306	(A,119,25)	RS1/16SS0R0J		
R 5009	(A,61,25)	RS1/16SS1000D	R 5307	(A,118,25)	RS1/16SS621J		
R 5010	(A,60,26)	RS1/16SS8R2J	R 5308	(A,118,27)	RS1/16SS181J	C	
R 5011	(A,61,27)	RS1/16SS1300D	R 5309	(B,110,27)	RS1/16SS101J		
R 5012	(A,60,28)	RS1/16SS0R0J	R 5310	(B,117,25)	RS1/16SS0R0J		
R 5013	(A,61,29)	RS1/16SS1000D	R 5311	(A,109,29)	RS1/16SS101J		
R 5014	(A,60,30)	RS1/16SS8R2J	R 5312	(A,119,26)	RS1/16SS620J		
R 5015	(A,61,31)	RS1/16SS39R0D	R 5318	(B,111,24)	RS1/16SS101J		
R 5016	(A,61,33)	RS1/16SS4R7J	R 5401	(A,102,45)	RS1/16SS680J		
R 5017	(A,64,33)	RS1/16SS47R0D	R 5402	(A,103,45)	RS1/16SS560J		
R 5018	(A,66,33)	RS1/16SS0R0J	R 5405	(A,100,40)	RS1/16SS680J		
R 5019	(A,67,33)	RS1/16SS1800D	R 5406	(A,99,40)	RS1/16SS560J		
R 5020	(A,69,33)	RS1/16SS2R2J	R 5409	(A,97,44)	RS1/16SS680J		
R 5021	(A,70,32)	RS1/16SS33R0D	R 5410	(A,96,44)	RS1/16SS560J	D	
R 5022	(A,70,30)	RS1/16SS2R4J	R 5413	(A,99,42)	RS1/16SS103J		
R 5024	(B,30,35)	RS1/16SS473J	R 5414	(A,101,39)	RS1/16SS103J		
R 5026	(B,24,35)	RS1/16SS473J	R 5415	(A,96,46)	RS1/16SS103J		
R 5028	(B,25,33)	RS1/16SS473J	R 5416	(A,39,60)	RS1/16SS0R0J		
R 5029	(B,26,35)	RS1/16SS473J	R 5417	(A,40,61)	RS1/16SS0R0J		
R 5101	(A,17,60)	RS1/16SS103J	R 5418	(A,41,60)	RS1/16SS0R0J		
R 5103	(A,24,61)	RS1/16SS203J	R 5419	(A,42,61)	RS1/16SS0R0J		
R 5104	(A,25,60)	RS1/16SS104J	R 5420	(A,44,61)	RS1/16SS270J		
R 5106	(A,27,63)	RS1/16SS472J	R 5421	(A,44,58)	RS1/16SS0R0J		
R 5107	(A,21,70)	RS1/16SS0R0J	R 5422	(A,43,57)	RS1/16SS270J		
R 5108	(A,24,73)	RS1/16SS103J	R 5423	(A,45,58)	RS1/16SS270J	E	
R 5109	(A,30,63)	RS1/16SS1502D	R 5424	(A,45,57)	RS1/16SS270J		
R 5110	(A,28,64)	RS1/16SS8201D	R 5425	(A,47,58)	RS1/16SS270J		
R 5111	(A,28,63)	RS1/16SS1502D	R 5426	(A,47,56)	RS1/16SS270J		
R 5112	(B,65,79)	RS1/16SS0R0J	R 5427	(A,48,58)	RS1/16SS270J		
R 5116	(A,21,63)	RS1/16SS3001D	R 5428	(A,48,56)	RS1/16SS270J		
R 5117	(A,21,62)	RS1/16SS1502D	R 5429	(A,50,58)	RS1/16SS270J		
R 5122	(A,9,28)	RS1/16SS472J	R 5430	(A,50,56)	RS1/16SS270J		
R 5124	(A,10,28)	RS1/16SS105J	R 5431	(A,51,58)	RS1/16SS270J		
R 5125	(A,13,30)	RS1/16SS682J	R 5432	(A,51,56)	RS1/16SS270J		
R 5126	(A,14,30)	RS1/16SS0R0J	R 5433	(A,52,56)	RS1/16SS270J	F	
R 5128	(A,15,35)	RS1/16SS101J	R 5434	(A,53,58)	RS1/16SS270J		
R 5129	(A,15,32)	RS1/16SS0R0J	R 5435	(A,54,56)	RS1/16SS270J		
R 5134	(A,16,62)	RS1/16SS0R0J	R 5436	(A,55,58)	RS1/16SS270J		

1

2

3

4

**Circuit Symbol and No.**

**Part No.**

**Circuit Symbol and No.**

**Part No.**

R 5437 (A,55,56)  
R 5438 (A,56,58)

RS1/16SS270J  
RS1/16SS270J

C 5215 (A,114,60)  
C 5301 (A,113,21) 10 uF  
C 5302 (A,108,24) 10 uF

CKSSYB332K50  
CCG1192  
CCG1192

A

R 5439 (A,57,56)  
R 5440 (A,59,58)

RS1/16SS270J  
RS1/16SS0R0J

C 5303 (A,114,23)  
C 5304 (A,110,25)  
C 5305 (B,123,25)  
C 5306 (B,116,25)  
C 5307 (A,117,24)

CKSSYB104K10  
CKSSYB104K10  
CKSSYB103K16  
CKSSYB103K16  
CKSSYB103K16

**CAPACITORS**

C 5009 (A,63,27)  
C 5010 (A,63,28)  
C 5011 (A,63,29)  
C 5012 (A,63,30)  
C 5021 (A,31,37)

CKSSYB102K50  
CKSSYB104K16  
CKSSYB102K50  
CKSSYB104K16  
CKSSYB102K50

C 5308 (B,121,21)  
C 5314 (A,106,23)  
C 5401 (A,68,64)

CKSSYB103K16  
CKSSYB104K10  
CKSSYB104K10

B

C 5023 (A,31,39)  
C 5025 (A,15,47) 10 uF  
C 5026 (A,8,44)  
C 5029 (A,28,38)  
C 5030 (A,28,39)

CKSSYB104K16  
CCG1236  
CKSSYB102K50  
CKSSYB102K50  
CKSSYB104K10

C 5031 (A,9,50) 10 uF  
C 5034 (A,22,40)  
C 5035 (A,21,42) 4.7 uF  
C 5037 (A,17,43)  
C 5039 (A,20,38)

CCG1192  
CKSSYB104K16  
CCG1201  
CKSQYB225K16  
CKSRYB104K50

C 5040 (A,17,37)  
C 5042 (A,16,33)  
C 5101 (A,20,78) 4.7 uF  
C 5102 (A,21,67)  
C 5103 (A,20,66) 1 uF  
C 5104 (A,21,60)

CKSQYB334K50  
CKSSYB104K16  
CCG1201  
CKSSYB102K50  
DCH1246  
CKSSYB123K16

C

C 5105 (A,23,60)  
C 5106 (A,28,60)  
C 5107 (A,24,62)  
C 5109 (A,32,63)  
C 5110 (A,35,64)

CKSSYB104K10  
CKSRYB105K10  
CKSSYB682K25  
CCSSCH101J50  
CKSSYB122K50

D

C 5111 (A,15,64) 10 uF  
C 5112 (A,15,67) 10 uF  
C 5113 (A,21,64)  
C 5114 (A,11,28)  
C 5115 (A,8,30) 10 uF

CCG1236  
CCG1236  
CKSSYB471K50  
CKSSYB104K16  
CCG1236

C 5116 (A,69,44) 4.7 uF  
C 5117 (A,73,44) 4.7 uF  
C 5118 (A,60,63)  
C 5120 (A,33,72)  
C 5121 (A,35,72)

CCG1201  
CCG1201  
CKSSYB104K10  
CKSQYB105K25  
CKSQYB105K25

E

C 5122 (A,32,67)  
C 5123 (A,35,66)  
C 5124 (A,31,77)  
C 5125 (A,34,77)  
C 5127 (A,28,73)

CKSRYB105K10  
CKSRYB104K50  
CKSQYB474K25  
CKSQYB474K25  
CKSYB475K16

C 5128 (A,74,38)  
C 5140 (A,31,70)  
C 5203 (B,110,66) 2.2 uF  
C 5204 (A,115,76)  
C 5205 (A,101,62) 10 uF

CKSSYB104K10  
CKSSYB561K50  
CCG1218  
CKSSYB104K10  
CCG1236

F

C 5206 (A,114,77)  
C 5208 (A,116,56) 10 uF  
C 5209 (A,104,17)  
C 5211 (A,118,56) 10 uF  
C 5212 (A,122,63)

CKSSYB104K10  
CCG1236  
CKSSYB104K10  
CCG1236  
CCSSCH101J50

C 5213 (A,79,65)  
C 5214 (A,116,74)

CKSSYB104K16  
CKSSYB104K16



**Unit Number : CXX6059**

**Unit Name : Service Unit(Keyboard)**

**MISCELLANEOUS**

IC 4801 (A,9,90) IR RC REC Module PNJ4833M  
D 4801 (A,14,43) LED SMLVN6RGB2UK(B)  
S 4801 (A,12,18) Push Switch CSG1155  
S 4802 (A,12,7) Push Switch CSG1155  
  
S 4803 (A,12,28) Push Switch CSG1155  
S 4804 (A,8,43) Push Switch CSG1155  
S 4805 (A,23,93) Push Switch CSG1155  
S 4806 (A,12,58) Push Switch CSG1155  
S 4807 (A,12,79) Push Switch CSG1155  
  
S 4808 (A,12,69) Push Switch CSG1155  
S 4809 (A,17,93) Push Switch CSG1155  
CN4801 (B,14,43) Connector CKS6063

**RESISTORS**

R 4801 (B,8,72) RS1/16SS470J  
R 4802 (A,10,12) RS1/16SS222J  
R 4803 (A,9,13) RS1/16SS472J  
R 4804 (A,7,38) RS1/16SS123J  
R 4805 (A,15,63) RS1/16SS182J  
  
R 4806 (A,14,65) RS1/16SS222J  
R 4807 (A,14,72) RS1/16SS472J  
R 4808 (A,10,13) RS1/16SS182J

**CAPACITORS**

C 4805 (B,11,91) 10 uF CCG1192

1

2

3

4