

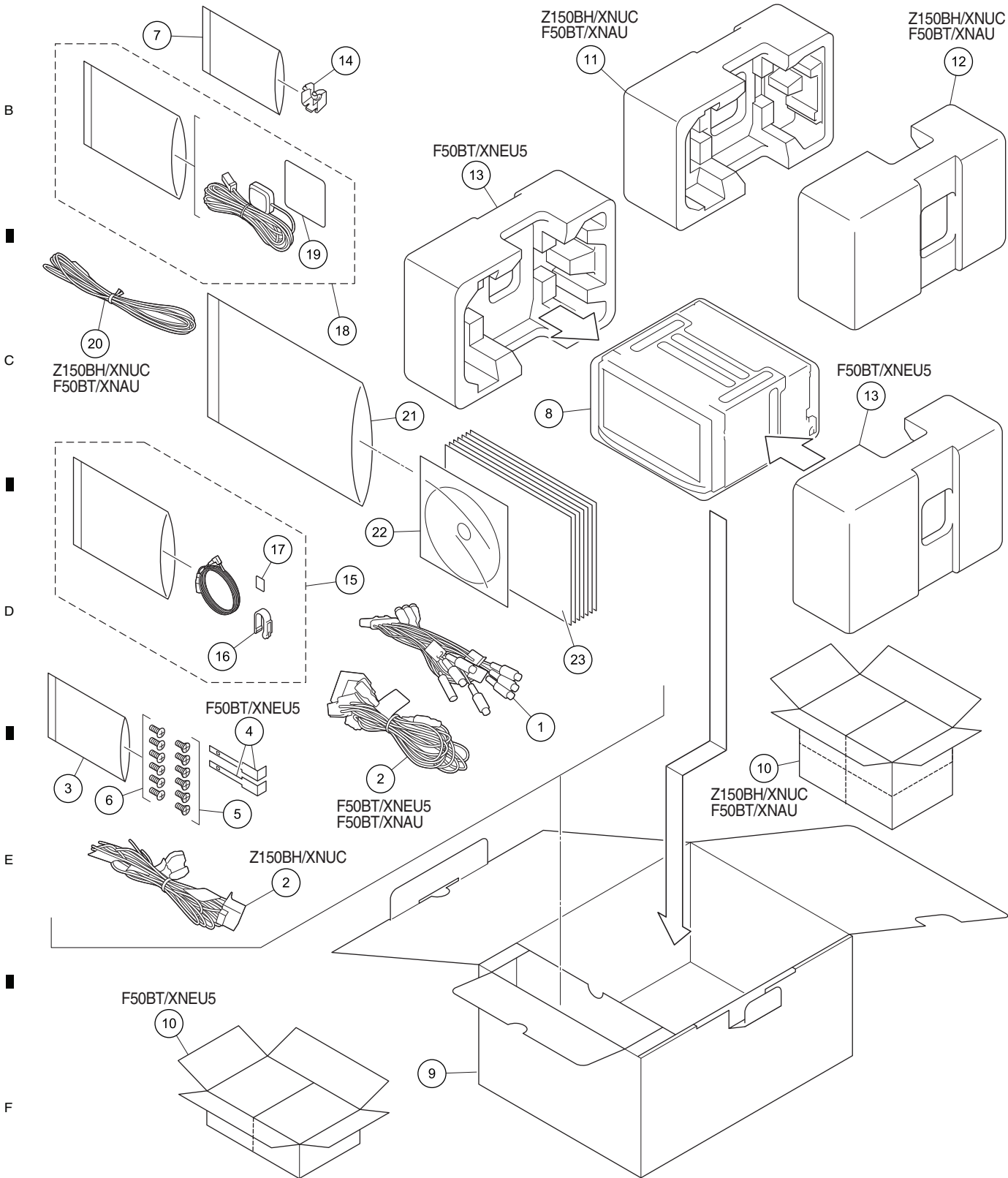


9. EXPLODED VIEWS AND PARTS LIST

NOTES : • Parts marked by "*" are generally unavailable because they are not in our Master Spare Parts List.

- The  mark found on some component parts indicates the importance of the safety factor of the part. Therefore, when replacing, be sure to use parts of identical designation.
- Screw adjacent to  mark on the product are used for disassembly.
- For the applying amount of lubricants or glue, follow the instructions in this manual.
(In the case of no amount instructions, apply as you think it appropriate.)

9.1 PACKING



(1) PACKING SECTION PARTS LIST

<u>Mark No.</u>	<u>Description</u>	<u>Part No.</u>	<u>Mark No.</u>	<u>Description</u>	<u>Part No.</u>
1	Cord Assy	CDP1540	21	Polyethylene Bag	CEG1116
2	Cord Assy	See Contrast table (2)	22	IM CD-ROM	CPJ1451
3	Polyethylene Bag	CEG1160	23-1	Quick Start Guide	See Contrast table (2)
4	Handle	See Contrast table (2)	23-2	Quick Start Guide/POC/FRE	See Contrast table (2)
5	Screw	CRZ50P090FTC	23-3	Quick Start Guide	See Contrast table (2)
6	Screw	TRZ50P080FTC	23-4	Quick Start Guide	See Contrast table (2)
7	Polyethylene Bag	CEG1160	23-5	Quick Start Guide	See Contrast table (2)
8	Cover	See Contrast table (2)	23-6	Owner's Manual	See Contrast table (2)
9	Unit Box	See Contrast table (2)	23-7	Installation Manual	See Contrast table (2)
10	Contain Box	See Contrast table (2)	* 23-8	Registration Card	See Contrast table (2)
11	Protector	See Contrast table (2)	* 23-9	Registration Card	See Contrast table (2)
12	Protector	See Contrast table (2)	* 23-10	Warranty Card	See Contrast table (2)
13	Protector	See Contrast table (2)	* 23-11	Caution Card	CRP1468
14	Holder	CNW2508			
15	Microphone Assy	CPM1083			
16	Holder	CZN7192			
17	Cushion	CZN7193			
18	GPS Antenna Assy	CXE3204			
19	Sheet	CZN8510			
20	Cable Assy	See Contrast table (2)			

(2) CONTRAST TABLE

AVIC-Z150BH/XNUC, AVIC-F50BT/XNEU5 and AVIC-F50BT/XNAU are constructed the same except for the following:

<u>Mark</u>	<u>No.</u>	<u>Description</u>	<u>AVIC-Z150BH/XNUC</u>	<u>AVIC-F50BT/XNEU5</u>	<u>AVIC-F50BT/XNAU</u>
	2	Cord Assy	CDP1546	CDP1545	CDP1545
	4	Handle	Not used	CND6289	Not used
	8	Cover	CEG1359	CEG1356	CEG1356
	9	Unit Box	CHG8257	CHG8259	CHG8258
	10	Contain Box	CHL8257	CHL8259	CHL8258
	11	Protector	CHP4275	Not used	CHP4275
	12	Protector	CHP4276	Not used	CHP4276
	13	Protector	Not used	CHP4696	Not used
	20	Cable Assy	CDP1396	Not used	CDP1396
	23-1	Quick Start Guide	CRB4157	Not used	CRB4172
	23-2	Quick Start Guide/POC/FRE	CRB4158	Not used	Not used
	23-3	Quick Start Guide	Not used	CRD4718	Not used
	23-4	Quick Start Guide	Not used	CRD4719	Not used
	23-5	Quick Start Guide	Not used	CRD4720	Not used
	23-6	Owner's Manual	CRD4696	CRD4698	CRB4173
	23-7	Installation Manual	CRD4697	CRD4699	CRB4174
*	23-8	Registration Card	CRY1271	Not used	Not used
*	23-9	Registration Card	CRY1373	CRY1375	Not used
*	23-10	Warranty Card	QRY3001	CRY1376	Not used

1 2 3 4

9.2 EXTERIOR (1)

A

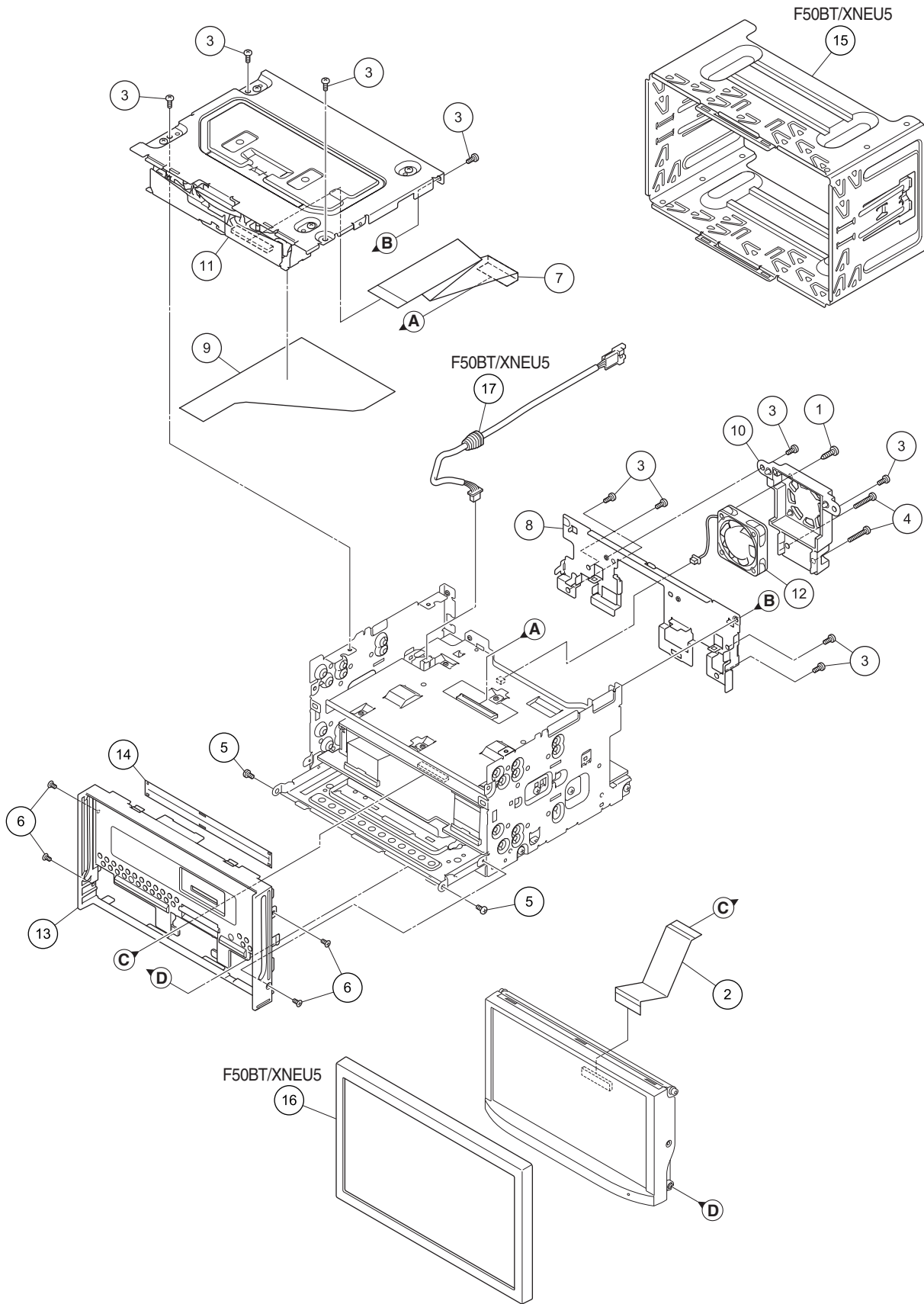
B

C

D

E

F



(1) EXTERIOR (1) SECTION PARTS LIST

<u>Mark No.</u>	<u>Description</u>	<u>Part No.</u>	<u>Mark No.</u>	<u>Description</u>	<u>Part No.</u>
1	Screw	BPZ30P080FTC	11	DVD Mechanism Module(LS2)	CXK8005
2	FFC	CDE9848	12	Fan Motor	CXM1446
3	Screw	BSZ26P060FTC	13	Panel	See Contrast table (2)
4	Screw	BSZ26P160FTC	14	Cover	QNM3029
5	Screw	CBA1735	15	Holder	See Contrast table (2)
6	Screw	CBA1877	16	Panel	See Contrast table (2)
7	FFC	CDE9847	17	Cord Assy	See Contrast table (2)
8	Holder	CND6687			
9	Insulator	CNN4330			
10	Heat Sink	CNR2152			

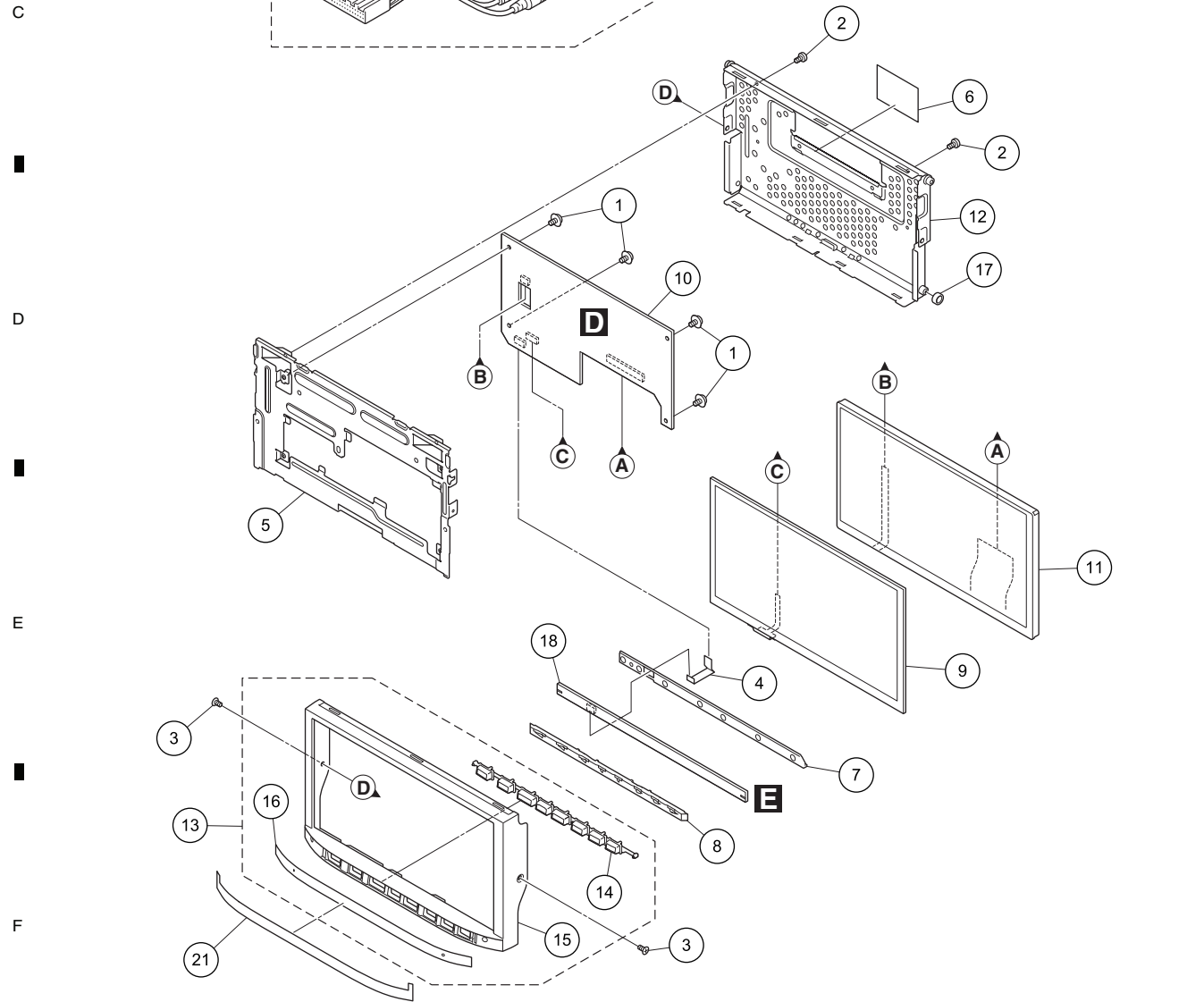
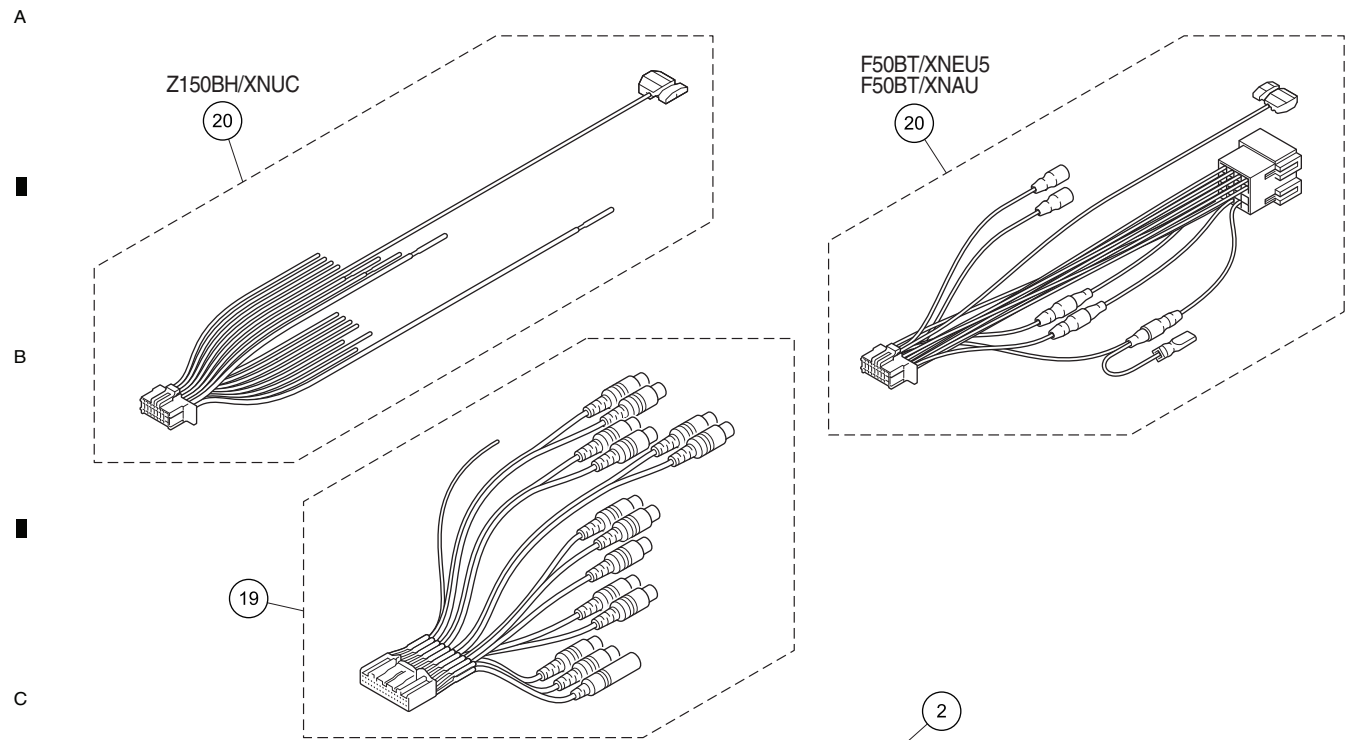
(2) CONTRAST TABLE

AVIC-Z150BH/XNUC, AVIC-F50BT/XNEU5 and AVIC-F50BT/XNAU are constructed the same except for the following:

Mark	No.	Description	AVIC-Z150BH/XNUC	AVIC-F50BT/XNEU5	AVIC-F50BT/XNAU
	13	Panel	CNU2200	CNU2201	CNU2201
	15	Holder	Not used	CND6288	Not used
	16	Panel	Not used	CNS9952	Not used
	17	Cord Assy	Not used	CDF1018	Not used

9.3 EXTERIOR (2)

1 2 3 4



(1) EXTERIOR (2) SECTION PARTS LIST

<u>Mark No.</u>	<u>Description</u>	<u>Part No.</u>	<u>Mark No.</u>	<u>Description</u>	<u>Part No.</u>
1	Screw	AMZ20P040FTC	11	TFT LCD	CWX4182
2	Screw	BMZ20P030FTC	12	Case Unit	CXE4761
3	Screw	CBA2265	13	Grille Assy	See Contrast table (2)
4	FFC	CDE9945	* 14	Button	CAI4016
5	Holder	CND6338	* 15	Grille	CNU2199
6	Sheet	CNN4232	* 16	Plate	See Contrast table (2)
7	Spacer	CNW2111	17	Collar	CNW2038
8	Lighting Conductor	CNW2705	18	Key Unit (Service)	CXX5403
9	Touch Panel	CSX1176	19	Cord Assy	CDP1540
10	Monitor Unit	CWN7383	20	Cord Assy	See Contrast table (2)
			21	Sheet	CNN4508

(2) CONTRAST TABLE

AVIC-Z150BH/XNUC, AVIC-F50BT/XNEU5 and AVIC-F50BT/XNAU are constructed the same except for the following:

Mark	No.	Description	AVIC-Z150BH/XNUC	AVIC-F50BT/XNEU5	AVIC-F50BT/XNAU
*	13	Grille Assy	CXE5967	CXE5968	CXE5968
	16	Plate	CNU2202	CNU2203	CNU2203
	20	Cord Assy	CDP1546	CDP1545	CDP1545

9.4 EXTERIOR (3)

1

2

3

4

A

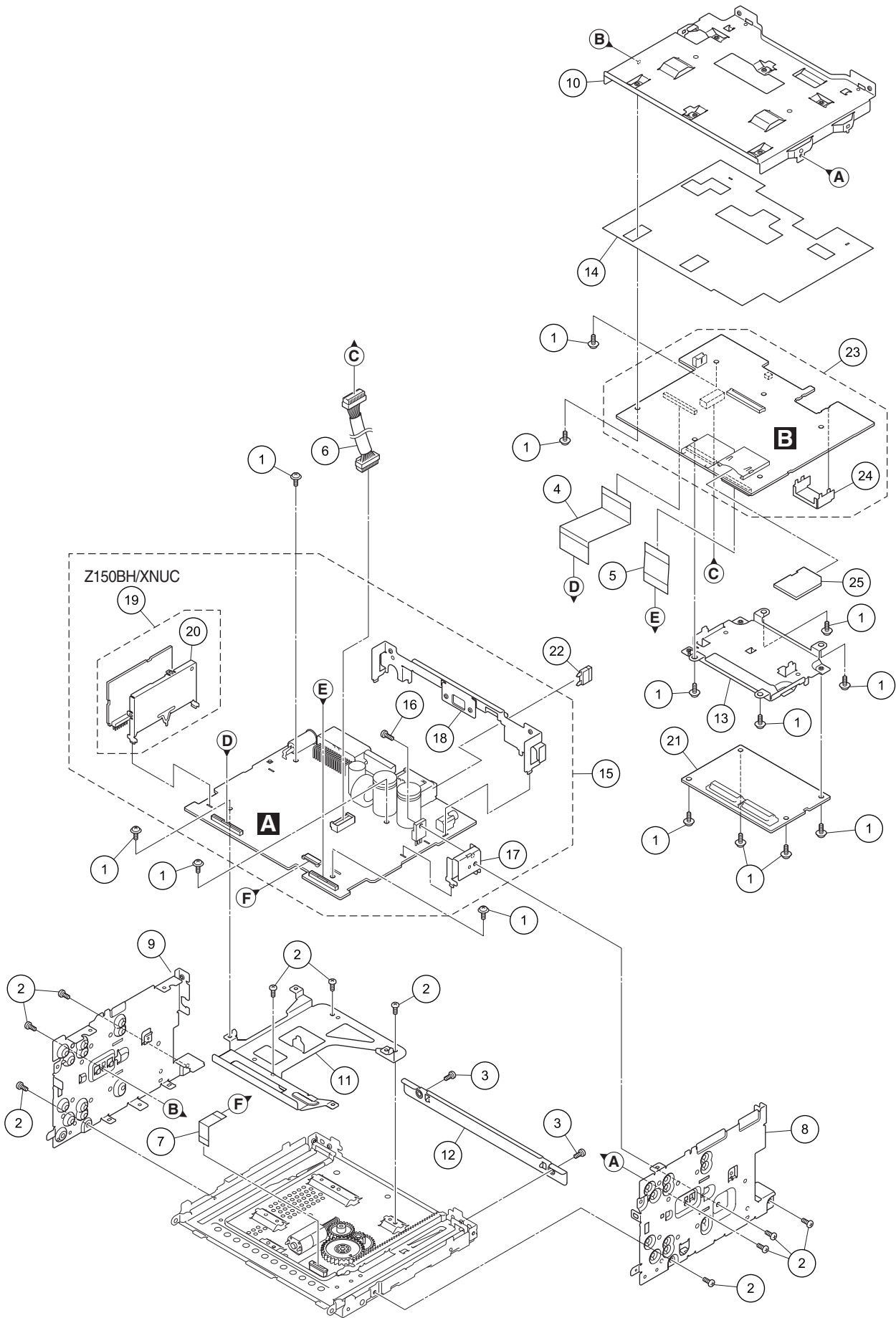
B

C

D

E

F



AVIC-Z150BH/XNUC

1

2

3

4

(1) EXTERIOR (3) SECTION PARTS LIST

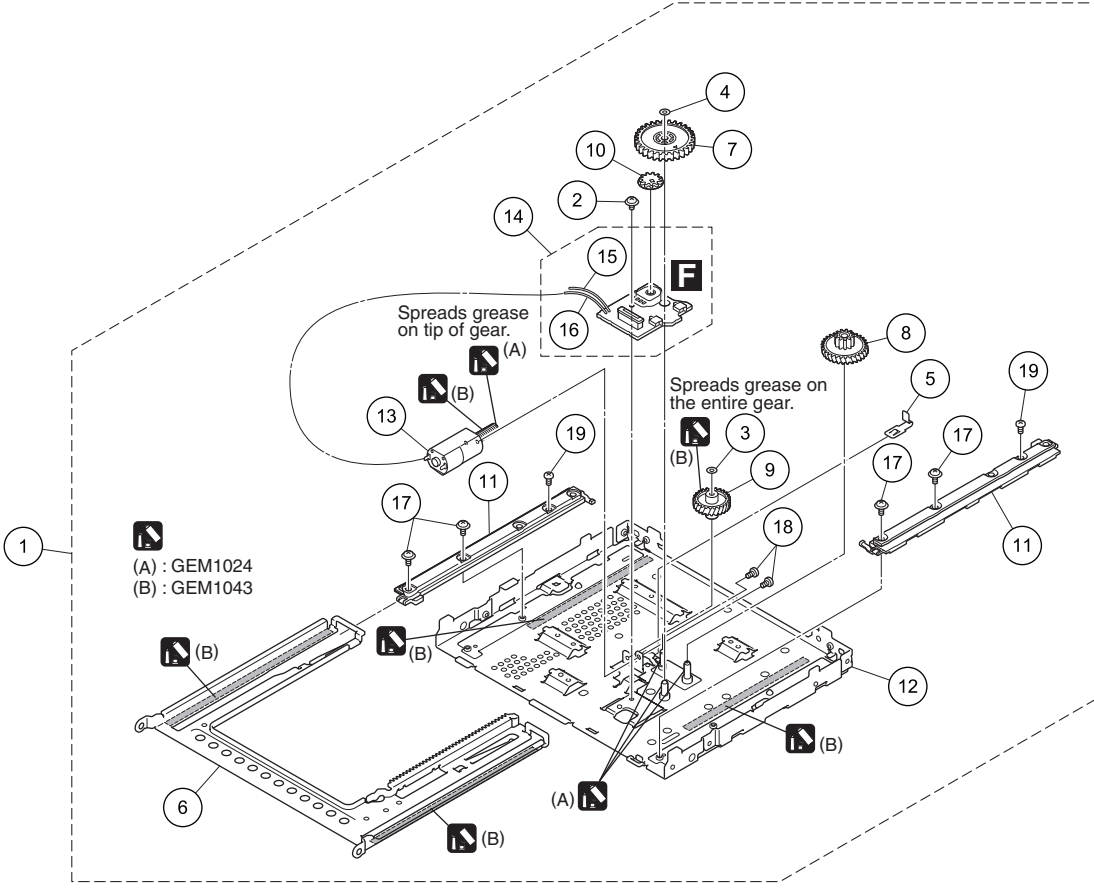
<u>Mark No.</u>	<u>Description</u>	<u>Part No.</u>	<u>Mark No.</u>	<u>Description</u>	<u>Part No.</u>
1	Screw	ASZ26P060FTC	16	Screw	BSZ26P060FTC
2	Screw	BSZ26P050FTC	17	Holder	CND6354
3	Screw	BSZ26P060FTC	18	Holder	See Contrast table (2)
4	FFC	CDE9845	19	WWR Core TUN Unit	See Contrast table (2)
5	FFC	CDE9846	20	Holder	See Contrast table (2)
6	Cord Assy	CDE9854	21	CC Assy(Service)	See Contrast table (2)
7	FFC	CDE9387	22	Fuse (10 A)	YEK5001
8	Bracket	CND6335	23	Navi Unit (Service)	See Contrast table (2)
9	Bracket	See Contrast table (2)	24	Holder	CND6692
10	Holder	CND6684	25	Map SD Assy(Service)	See Contrast table (2)
11	Holder	CND6685			
12	Holder	CND6686			
13	Holder	CND6907			
14	Insulator	CNN4329			
15	AV Unit	See Contrast table (2)			

(2) CONTRAST TABLE

AVIC-Z150BH/XNUC, AVIC-F50BT/XNEU5 and AVIC-F50BT/XNAU are constructed the same except for the following:

Mark	No.	Description	AVIC-Z150BH/XNUC	AVIC-F50BT/XNEU5	AVIC-F50BT/XNAU
	9	Bracket	CND6351	CND6340	CND6351
	15	AV Unit	CWN7367	CWN7368	CWN7369
	18	Holder	CND6690	CND6691	CND6691
	19	WWR Core TUN Unit	CWE2364	Not used	Not used
	20	Holder	CND6449	Not used	Not used
	21	Service CC Assy	CXX5375	CXX5376	CXX5375
	23	Navi Unit (Service)	CXX5396	CXX5397	CXX5398
	25	Map SD Assy(Service)	CXX5824	CXX5825	CXX5827

9.5 EXTERIOR (4)



5 6 7 8

EXTERIOR (4) SECTION PARTS LIST

<u>Mark No.</u>	<u>Description</u>	<u>Part No.</u>
1	Drive Unit	CXE3878
2	Screw	AMZ26P030FTC
3	Washer	CBF1039
4	Washer	CBF1064
5	Spring	EBL1034
6	Frame	ENC2001
7	Gear	ENV1630
8	Gear	ENV1631
9	Gear	ENV1632
10	Gear	ENV1635
11	Guide	ENV3001
12	Chassis Unit	EXA4001
13	Motor Unit	EXA4003
14	PCB Assy (Service)	EXX2001
* 15	Cord (Green)	CDC1056
* 16	Cord (White)	CDC1057
17	Screw	IMS26P060FTC
18	Screw	JFZ20P025FTC
19	Screw	EBA2002

A

B

C

D

E

F

9.6 DVD MECHANISM MODULE (1)

A

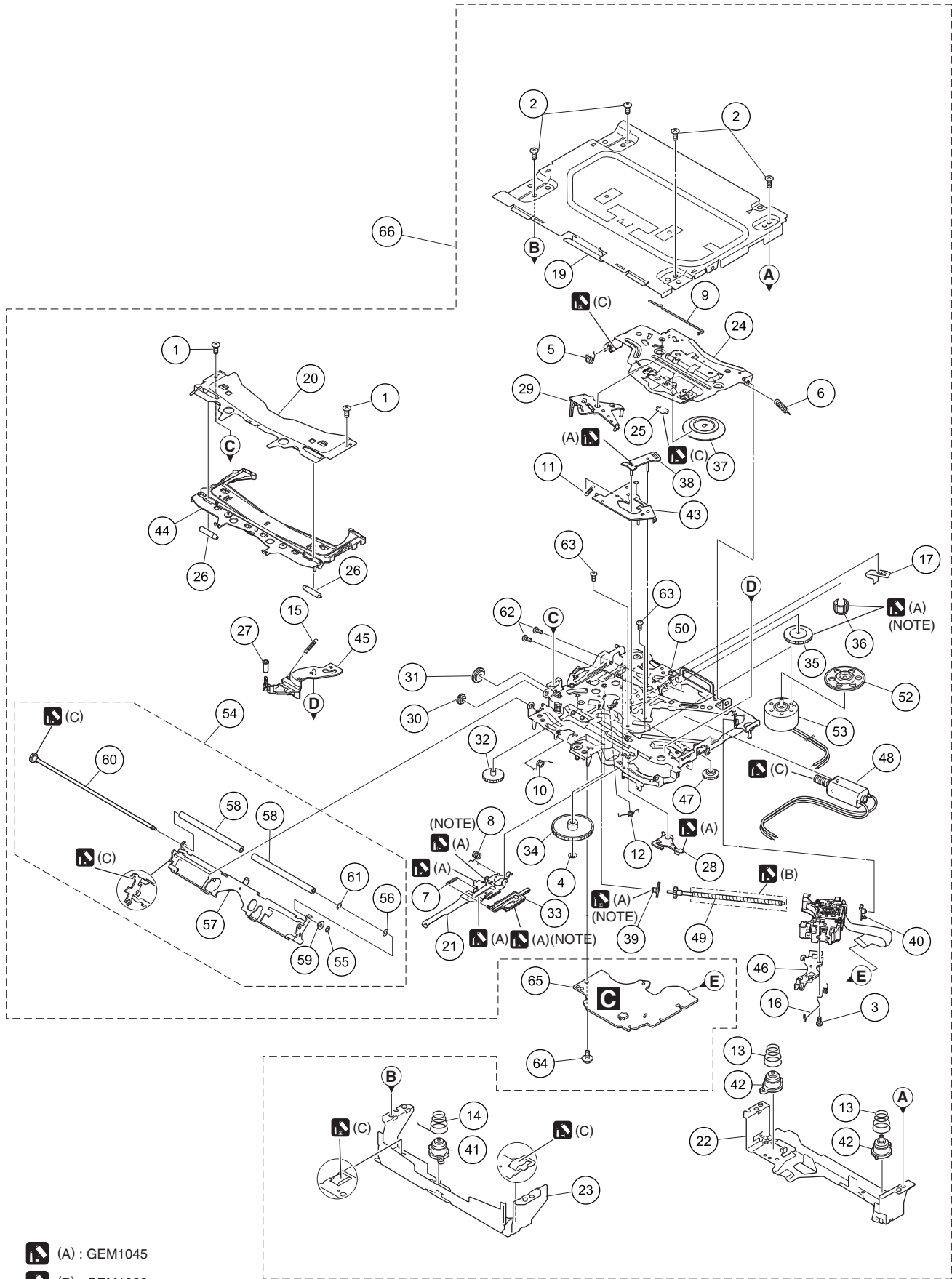
B

C

D

E

F



- (A) : GEM1045
- (B) : GEM1038
- (C) : GEM1024

(NOTE) Apply grease to the whole part.

5 6 7 8
DVD MECHANISM MODULE (1) SECTION PARTS LIST

<u>Mark No.</u>	<u>Description</u>	<u>Part No.</u>	<u>Mark No.</u>	<u>Description</u>	<u>Part No.</u>
1	Screw	BSZ20P040FTC	36	Gear	CNW1187
2	Screw	BSZ26P060FTC	37	Clamper	CNW1190
3	Screw (M2 x 4)	CBA1835	38	Arm	CNW1192
4	Washer	CBF1038	39	Holder	CNW1193
5	Spring	CBH2855	40	Holder	CNW1194
6	Spring	CBH2860	41	Damper	CNW1197
7	Spring	CBH3010	42	Damper	CNW1198
8	Spring	CBH3011	43	Arm	CNW1726
9	Spring	CBH3014	44	Guide	CNW2240
10	Spring	CBH3015	45	Arm	CNW2241
11	Spring	CBH3016	46	Rack	CNW2265
12	Spring	CBH3017	47	Gear	CNW2287
13	Spring	CBH3019	48	Motor Unit(M1)(CRG(L/E))	CXC4026
14	Spring	CBH3086	49	Screw Unit	CXC8894
15	Spring	CBH3095	* 50	Chassis Unit	CXE4047
16	Spring	CBH3096	51	
17	Plate Spring	CBL1824	* 52	Support Wheel	CNW2052
18		* 53	Spindle Motor(M2)(SPINDLE)	EXM2002
19	Case	CNB3760	54	Arm Assy	CXE5027
20	Bracket	CND4553	55	Washer	CBF1037
21	Lever	CND5398	56	Washer	CBF1038
22	Bracket	CND5710	57	Arm	CND6242
23	Bracket	CND6127	58	Roller	CNW1196
24	Arm	CND6406	59	Collar	CNW2444
25	Sheet	CNN3678	60	Gear Unit	CXC8893
26	Roller	CNW1172	61	Washer	YE15FTC
27	Roller	CNW1175	62	Screw	JFZ20P025FTC
28	Arm	CNW1177	63	Screw	JGZ17P020FTC
29	Arm	CNW1178	64	Screw (M2 x 5)	EBA1028
30	Gear	CNW1180	65	DVD Core Unit	YWX5033
31	Gear	CNW1181	66	Mechanism Unit(Service)	CXX4547
32	Gear	CNW1183			
33	Rack	CNW1184			
34	Gear	CNW1185			
35	Gear	CNW1186			

Pickup, Spindle Motor and Support Wheel are not available as service parts, because they need adjustment by special equipment after replacing.

12. ELECTRICAL PARTS LIST

NOTE:

- Parts whose parts numbers are omitted are subject to being not supplied.
- The part numbers shown below indicate chip components.

Chip Resistor

RS1/OS○○○○J,RS1/○○S○○○○J

Chip Capacitor (except for CQS.....)

CKS....., CCS....., CSZS.....

- The \triangle mark found on some component parts indicates the importance of the safety factor of the part. Therefore, when replacing, be sure to use parts of identical designation.

- Meaning of the figures and others in the parentheses in the parts list.

Example) IC 301 is on the point (face A, 91 of x-axis, and 111 of y-axis) of the corresponding PC board.

IC 301 (A, 91, 111) IC NJM2068V

- The expression of the unit in this manual is shown by μ instead of μ . Please do not make a mistake.

<u>Circuit Symbol and No.</u>	<u>Part No.</u>	<u>Circuit Symbol and No.</u>	<u>Part No.</u>
A:AVIC-Z150BH/XNUC		MISCELLANEOUS	
B:AVIC-F50BT/XNEU5		IC 2003 (B,80,8) IC	NJM12904V
C:AVIC-F50BT/XNAU		IC 2004 (A,152,118) IC	NJW4830U2
Unit Number : CWN7367(A)		IC 2101 (A,84,133) IC	PA2030A
Unit Number : CWN7368(B)		IC 2201 (B,117,84) IC	S-812C56AUA-C3K
Unit Number : CWN7369(C)		IC 2207 (A,132,38) Regulator IC	BD9781HFP
Unit Name : AV Unit		IC 2208 (A,152,73) IC	LT3461AES6
Unit Number : CXX5396(A)		IC 2209 (B,56,40) IC	NJM2387ADL3
Unit Number : CXX5397(B)		IC 2210 (A,40,53) Regulator IC	NJM2846DL3-05
Unit Number : CXX5398(C)		IC 2301 (B,113,57) IC	S-93C66BD01-J8
Unit Name : Navi Unit(Service)		IC 2302 (B,102,39) Reset IC	S-80929CNMC-G8Z
Unit Number : YWX5033		IC 2303 (A,95,38) IC(A)	PEQ155A8
Unit Name : DVD Core Unit		(A,95,38) IC(B)	PEQ156A8
Unit Number : CWN7383		(A,95,38) IC(C)	PEQ157A8
Unit Name : Monitor Unit		IC 2701 (B,77,92) IC	PML020A
Unit Number : CXX5403		IC 2801 (B,100,93) Dual OP-AMP	NJM4565V
Unit Name : Key Unit(Service)		IC 3001 (A,44,74) IC	TDA7706
Unit Number : EXX2001		IC 3101 (A,55,39) IC	TEF6613
Unit Name : PCB Unit(Service)		IC 3151 (B,32,46) Regulator IC(A)	S-1155B33-U5
		IC 3152 (B,35,53) IC(A)	R1173S001D
		IC 3153 (B,151,37) IC(A)	LT1912EMSE
		IC 3301 (B,50,20) Regulator IC	NJM2878F3-05
		IC 3302 (B,30,14) IC	ADC128S052QCIMT
		IC 3303 (A,37,37) IC	LM20BIM7
		IC 3502 (B,65,105) 1 Chip or Gate	TC7SH32FUS1
		IC 3601 (B,91,70) IC	AK4223VQ
		IC 3701 (A,75,89) IC	M61545AFP
		IC 3702 (A,80,68) Dual OP-AMP	NJM4565V
		IC 3703 (A,74,66) Dual OP-AMP	NJM4565V
		IC 3704 (A,70,110) IC	NJM2058V
		IC 3705 (A,77,79) IC	TC4052BFT
		IC 3801 (B,135,77) IC	LTC3858EGN-1
		Q 2014 (B,109,92) Chip Transistor	HN1C01FU
Unit Number : CWN7367(A)		Q 2015 (B,101,112) Transistor	LTC014EEB
Unit Number : CWN7368(B)		Q 2016 (B,130,115) Transistor	LSCR523UB
Unit Number : CWN7369(C)		Q 2017 (B,112,70) Transistor	LSCR523UB
Unit Name : AV Unit		Q 2018 (B,84,10) Transistor	LTC014EEB
		Q 2019 (A,166,113) Chip Transistor	HN1C01FU
		Q 2020 (B,153,113) Transistor	LSAR523UB

A

	1	2	3	4
	<u>Circuit Symbol and No.</u>	<u>Part No.</u>	<u>Circuit Symbol and No.</u>	<u>Part No.</u>
	Q 2021 (B,79,16) Transistor	LTC014EEB		
	Q 2101 (A,66,119) Transistor	LTC024EEB	D 2901 (A,38,96) Diode	RN731VN
	Q 2102 (A,87,122) Transistor	LTC014YEB	D 2902 (A,43,92) Diode	RN731VN
A	Q 2201 (B,114,64) Transistor	LTC014EEB	D 3151 (B,39,45) Diode(A)	1SR154-400
	Q 2202 (B,117,63) Transistor	LSAR523UB	D 3152 (B,42,49) Diode(A)	1SR154-400
	Q 2208 (A,164,95) Transistor	2SB1565	D 3153 (A,154,35) Diode(A)	RB056L-40
	Q 2209 (B,152,101) Chip Transistor	HN1C01FU	D 3401 (A,102,8) Diode	RB060M-30
	Q 2301 (A,116,33) Chip Transistor	RN4983	D 3402 (B,103,8) Diode	RKZ7.5KG(B2)
	Q 2801 (B,94,87) Chip Transistor	RN4982	D 3403 (B,112,7) Diode	RKZ6.2KG(B2)
	Q 2802 (B,94,90) Transistor	DTC623TU	D 3501 (B,51,107) Diode	DAN202UM
	Q 2851 (B,61,25) Transistor	LTC023EEB	D 3502 (B,64,110) Diode	DA2J101
	Q 2852 (B,67,51) Transistor	LTC014EEB	D 3503 (A,44,105) Diode	DA2J101
	Q 2853 (B,58,28) Transistor	ISA1602AM1	D 3801 (B,144,74) Diode	DB2J41100
	Q 2854 (B,64,51) Transistor	LSAR523UB	D 3802 (B,144,82) Diode	DB2J41100
B	Q 2901 (A,51,92) Transistor	2SC3357	L 2002 (A,98,104) Choke Coil 600 uH	CTH1221
	Q 3401 (B,108,12) Chip Transistor	HN1C01FU	L 2201 (A,136,52) Inductor	CTH1542
	Q 3402 (A,102,15) Transistor	2SB1260	L 2203 (A,154,78) Choke Coil 22 uH	CTH1426
	Q 3403 (B,108,8) Chip Transistor	RN4982	L 2204 (A,156,84) Ferrite Bead	CTF1528
	Q 3504 (B,61,106) Chip Transistor	RN4982	L 2310 (B,86,36) Inductor	CTF1787
	Q 3505 (B,55,104) Chip Digital Transistor	LTA124EUB	L 2901 (B,27,100) Inductor	LCTCR12K2125
	Q 3506 (B,59,108) Chip Transistor	RN4982	L 2902 (B,32,98) Inductor	LCTCR12K2125
	Q 3507 (A,51,105) Transistor	LSAR523UB	L 2904 (A,41,96) Inductor	LCTCR15K1608
	Q 3508 (B,51,111) Chip Transistor	HN1C03FU	L 2905 (A,43,97) Chip Coil	LCTAWR27J2520
	Q 3509 (A,39,113) Transistor(A)	LSAR523UB	L 2907 (A,46,93) Inductor	CTF1794
C	Q 3510 (B,58,104) Chip Digital Transistor	LTA124EUB	L 2908 (A,56,97) Inductor	LCTAW101J2520
	Q 3511 (B,31,111) Chip Transistor	HN1C03FU	L 2909 (A,54,94) Inductor	LCYB47NJ1608
	Q 3512 (B,38,111) Chip Transistor	HN1C03FU	L 2910 (A,52,88) Inductor	LCYB47NJ1608
	Q 3513 (B,44,111) Chip Transistor	HN1C03FU	L 2911 (A,56,88) Coil	CTC1213
	Q 3515 (B,42,139) Transistor	RN4984	L 2913 (A,52,83) Inductor	LCYB47NJ1608
	Q 3516 (B,42,135) Transistor	RN4984	L 3001 (A,46,85) Inductor	CTF1786
	Q 3701 (A,70,95) Chip Transistor	RN4982	L 3002 (A,41,85) Inductor	CTF1786
	Q 3702 (A,74,95) Chip Transistor	RN4982	L 3003 (A,30,91) Inductor	CTF1389
	Q 3703 (A,69,99) Transistor	DTC623TU	L 3006 (A,34,85) Inductor	LCYC220K1608
	Q 3704 (A,74,98) Transistor	DTC623TU	L 3008 (A,34,82) Inductor	LCYB68NJ1608
	Q 3705 (A,71,84) Transistor	LTC014EEB	L 3009 (A,55,79) Inductor	CTF1786
D	Q 3801 (A,140,66) FET	FK8V03050	L 3010 (A,55,78) Inductor	CTF1786
	Q 3802 (A,140,69) FET	FK8V03040	L 3011 (A,32,77) Inductor	LCTC100K1608
	Q 3803 (A,140,89) FET	FK8V03050	L 3012 (A,35,73) Inductor	CTF1786
	Q 3804 (A,140,85) FET	FK8V03040	L 3014 (A,40,65) Inductor(B,C)	CTF1786
	D 2016 (B,114,73) Diode	RKZ7.5KG(B2)	L 3015 (A,53,65) Inductor	CTF1786
	D 2017 (B,109,87) Diode	RKZ20KG(B2)	L 3017 (A,50,64) Inductor	CTF1786
	D 2018 (B,106,86) Diode	RKZ7.5KG(B2)	L 3018 (A,41,65) Inductor(A)	CTF1786
	D 2019 (B,126,115) Diode	RKZ6.8KG(B2)	L 3019 (A,46,66) Inductor(A)	CTF1787
	D 2020 (B,102,115) Diode	DA2J101	L 3020 (A,45,63) Inductor(A)	CTF1787
	D 2021 (B,108,83) Diode	DA2J101	L 3021 (A,45,66) Inductor(A)	CTF1787
	D 2022 (B,107,86) Diode	DA2J101	L 3022 (A,44,63) Inductor(A)	CTF1787
E	D 2023 (A,103,87) Diode	RF501B2S	L 3101 (A,67,31) Chip Coil	LCTAW3R3J2520
	D 2024 (B,152,117) Diode	DA2J101	L 3151 (A,145,35) Inductor(A)	CTH1521
	D 2025 (A,161,114) Diode	RKZ5.6KG(B2)	L 3152 (A,160,42) Inductor(A)	BTH1110
	D 2027 (B,74,12) Diode	DA2J101	L 3301 (B,27,20) Chip Ferrite Bead	OTL8019
	D 2030 (A,130,119) Diode	CRG03	L 3302 (B,30,7) Chip Ferrite Bead	OTL8019
	D 2032 (A,130,116) Diode	CRG03	L 3303 (B,29,9) Inductor	CTF1787
	D 2034 (B,81,13) Diode	1SR154-400	L 3801 (A,131,69) Choke Coil 4.7 uH	CTH1480
	D 2201 (B,116,87) Diode	RKZ6.8KG(B2)	L 3802 (A,131,86) Inductor	CTH1482
	D 2202 (A,127,47) Diode	RB056L-40	L 3803 (A,149,97) Inductor	CTF1738
	D 2203 (A,161,54) Diode	RB056L-40	X 2301 (A,113,38) Crystal Resonator 16.000 MHz	CSS1736
F	D 2205 (B,156,106) Diode	DA2J101	X 3001 (A,55,71) Resonator 36.480 MHz	CSS1805
	D 2206 (B,156,103) Diode	HZU7R5(B3)	X 3101 (A,44,31) Resonator 4 MHz	CSS1817
	D 2301 (B,86,29) Diode	DB2J31400	⚠ P2201 (A,118,59) Fuse 1.0 A	CEK1381
	D 2302 (B,89,30) Diode	RB501VM-40	⚠ P2203 (A,97,80) Fuse 400 mA	CEK1250
	D 2801 (B,105,92) Diode	RKZ4.3KG(B2)	P 2901 (B,19,99) Surge Absorber	IMSA-6803-01Y900

5			6		7		8	
<u>Circuit Symbol and No.</u>			<u>Part No.</u>	<u>Circuit Symbol and No.</u>		<u>Part No.</u>		
△ P3401	(A,107,18)	Fuse 1.5 A	CEK1383	R 2089	(B,76,10)	RS1/16SS102J		
P 3501	(B,153,126)	Poly Switch	FSMD075-24R	R 2090	(B,74,10)	RS1/16SS564J		
P 3502	(B,57,134)	Poly Switch	FSMD075-24R	R 2091	(B,76,13)	RS1/16SS822J	A	
P 3503	(B,32,130)	Poly Switch	FSMD075-24R	R 2092	(B,75,13)	RS1/16SS202J		
P 3504	(B,48,130)	Poly Switch	FSMD075-24R	R 2093	(A,160,115)	RS1/10SR102J		
P 3505	(B,44,130)	Poly Switch	FSMD075-24R	R 2094	(B,149,116)	RS1/10SR103J		
P 3506	(B,53,139)	Poly Switch	FSMD075-24R	R 2095	(B,76,14)	RS1/16SS203J		
P 3507	(B,35,130)	Poly Switch	FSMD075-24R	R 2096	(B,78,13)	RS1/16SS333J		
P 3508	(B,39,130)	Poly Switch	FSMD075-24R	R 2097	(B,83,15)	RS1/10SR0RJ		
P 3509	(B,53,130)	Poly Switch	FSMD075-24R	R 2101	(A,69,121)	RS1/16SS103J		
U 3501	(B,99,12)	Remote Receiver Unit(C)	RS-470	R 2102	(A,70,124)	RS1/16SS103J		
GY3301	(A,31,40)	Sensor	CSX1179	R 2107	(A,68,122)	RS1/16SS221J		
GY3302	(A,39,18)	Sensor	CSX1183	R 2110	(A,86,124)	RS1/16SS103J		
CN3401	(A,124,22)	Connector	CKS6095	R 2201	(A,37,46)	RS1/16SS102J	B	
CN3501	(A,45,133)	Plug	CKM1567	R 2203	(B,113,87)	RS1/16SS302J		
CN3601	(A,106,71)	Connector	CKS6496	R 2204	(B,112,87)	RS1/16SS302J		
CN3602	(A,45,8)	Connector	CKS5586	R 2206	(B,113,84)	RS1/16SS5601D		
CN3603	(A,149,8)	Connector	CKS6464	R 2208	(B,112,82)	RS1/16SS6801D		
JA2002	(A,117,133)	Connector	CKM1613	R 2209	(B,128,53)	RS1/10SR0RJ		
JA2901	(A,13,117)	Antenna Jack	YKS041	R 2210	(B,128,50)	RS1/10SR6802D		
JA3501	(A,163,124)	Jack	CKS6437	R 2211	(B,128,47)	RS1/10SR3001D		
VL3101	(A,50,54)	Variable Coil	CTE1170	R 2212	(B,128,45)	RS1/10SR1002D		
		WWR C-TUN Unit(A)	CWE2364	R 2215	(B,131,48)	RS1/10SR393J		
				R 2216	(B,133,41)	RS1/10SR1003D		
				R 2240	(B,132,41)	RS1/10SR1002D	C	
<u>RESISTORS</u>								
R 2050	(B,112,68)		RS1/16SS221J	R 2241	(A,151,65)	RS1/4SA182J		
R 2051	(B,109,94)		RS1/16SS221J	R 2243	(B,126,43)	RS1/10SR102J		
R 2052	(B,99,112)		RS1/16SS221J	R 2244	(A,153,67)	RS1/16SS0R0J		
R 2053	(B,132,115)		RS1/16SS221J	R 2262	(A,150,71)	RS1/16SS473J		
R 2055	(A,165,111)		RS1/16SS221J	R 2279	(B,117,66)	RS1/16SS222J		
R 2056	(B,87,9)		RS1/16SS0R0J	R 2280	(B,115,66)	RS1/16SS222J		
R 2060	(B,108,89)		RS1/16SS473J	R 2281	(B,114,62)	RS1/16SS473J		
R 2061	(B,112,73)		RS1/16SS473J	R 2282	(B,151,71)	RS1/16SS1003D		
R 2062	(B,111,91)		RS1/16SS103J	R 2283	(B,151,73)	RS1/16SS1603D		
R 2063	(B,110,89)		RS1/16SS103J	R 2284	(B,149,75)	RS1/16SS1202D		
R 2064	(B,102,113)		RS1/16SS103J	R 2285	(B,149,74)	RS1/16SS1102D	D	
R 2065	(B,114,71)		RS1/16SS473J	R 2286	(B,160,107)	RS1/10SR0R0J		
R 2066	(B,128,116)		RS1/16SS473J	R 2287	(B,153,106)	RS1/16SS120J		
R 2067	(B,107,91)		RS1/16SS473J	R 2288	(B,155,101)	RS1/10SR271J		
R 2068	(B,127,113)		RS1/16SS473J	R 2289	(B,155,100)	RS1/10SR471J		
R 2069	(A,151,97)		RS1/10SR473J	R 2290	(B,57,47)	RS1/16SS6801D		
R 2070	(B,105,113)		RS1/16SS472J	R 2291	(B,58,47)	RS1/16SS1201D		
R 2071	(B,125,113)		RS1/16SS472J	R 2292	(B,156,98)	RS1/10SR223J		
R 2072	(B,107,116)	1 kohm	CCN1326	R 2293	(B,51,44)	RS1/16SS0R0J		
R 2073	(B,121,117)	1 kohm	CCN1326	R 2294	(B,150,102)	RS1/8SQ271J		
R 2074	(B,151,110)		RS1/16SS102J	R 2296	(A,44,47)	RS1/8SQ0R0J	E	
R 2075	(B,85,8)		RS1/16SS104J	R 2297	(B,151,106)	RS1/10SR332J		
R 2076	(B,151,111)		RS1/16SS103J	R 2298	(A,93,55)	RS1/16SS102J		
R 2077	(B,86,8)		RS1/16SS473J	R 2299	(B,152,69)	RS1/10SR0R0J		
R 2078	(B,85,7)		RS1/16SS563J	R 2301	(B,90,53)	RS1/16SS104J		
R 2079	(A,164,113)		RS1/16SS473J	R 2302	(A,98,55)	RS1/16SS473J		
R 2080	(A,166,114)		RS1/16SS473J	R 2303	(A,99,53)	RS1/16SS473J		
R 2081	(B,81,10)		RS1/16SS513J	R 2304	(B,91,51)	RS1/16SS104J		
R 2082	(B,153,115)		RS1/16SS153J	R 2305	(A,107,55)	RS1/16SS822J		
R 2083	(A,162,112)		RS1/16SS104J	R 2306	(A,103,53)	RS1/16SS101J		
R 2084	(B,74,8)		RS1/16SS104J	R 2307	(A,102,53)	RS1/16SS101J	F	
R 2085	(B,73,8)		RS1/16SS513J	R 2308	(A,96,55)	RS1/16SS104J		
R 2086	(B,75,7)		RS1/16SS513J	R 2309	(A,103,55)	RS1/16SS222J		
R 2087	(B,75,11)		RS1/16SS102J	R 2310	(A,100,55)	RS1/16SS222J		
R 2088	(A,160,112)		RS1/16SS472J	R 2313	(A,84,58)	RS1/16SS222J		

	1	2	3	4
	<u>Circuit Symbol and No.</u>	<u>Part No.</u>	<u>Circuit Symbol and No.</u>	<u>Part No.</u>
	R 2314 (A,82,58)	RS1/16SS222J	R 2433 (A,78,31)	RS1/16SS473J
	R 2316 (A,97,56)	RS1/16SS473J	R 2434 (B,86,31)	RS1/16SS103J
A	R 2317 (A,81,54)	RS1/16SS103J	R 2435 (B,78,39)	RS1/16SS104J
	R 2318 (B,96,48)	RS1/16SS104J	R 2436 (B,77,43)	RS1/16SS104J
	R 2320 (B,88,56)	RS1/16SS104J	R 2437 (A,78,30)	RS1/16SS104J
	R 2322 (B,89,47)	RS1/16SS104J	R 2438 (A,78,29)	RS1/16SS104J
	R 2323 (B,105,49)	RS1/16SS221J	R 2439 (A,103,23)	RS1/16SS0R0J
	R 2324 (A,106,53)	RS1/16SS101J	R 2441 (A,102,21)	RS1/16SS681J
	R 2327 (B,105,48)	RS1/16SS221J	R 2442 (A,101,23)	RS1/16SS681J
	R 2330 (A,96,53)	RS1/16SS471J	R 2443 (A,101,21)	RS1/16SS681J
	R 2331 (A,105,57)	RS1/16SS472J	R 2444 (A,96,23)	RS1/16SS101J
	R 2332 (A,91,53)	RS1/16SS0R0J	R 2445 (A,95,23)	RS1/16SS101J
	R 2333 (A,90,53)	RS1/16SS101J	R 2446 (A,91,23)	RS1/16SS471J
B	R 2334 (A,89,53)	RS1/16SS101J	R 2448 (A,89,23)	RS1/16SS471J
	R 2336 (A,86,53)	RS1/16SS121J	R 2449 (A,88,23)	RS1/16SS471J
	R 2337 (A,85,53)	RS1/16SS121J	R 2450 (A,87,23)	RS1/16SS471J
	R 2338 (A,83,54)	RS1/16SS0R0J	R 2459 (B,111,35)	RS1/16SS473J
	R 2339 (A,104,53)	RS1/16SS101J	R 2460 (A,108,23)	RS1/16SS101J
	R 2340 (A,105,53)	RS1/16SS101J	R 2461 (B,99,25)	RS1/16SS101J
	R 2341 (A,137,16)	RS1/16SS101J	R 2462 (B,110,35)	RS1/16SS473J
	R 2346 (B,104,44)	RS1/16SS104J	R 2463 (A,104,20)	RS1/16SS222J
	R 2348 (A,112,44)	RS1/16SS473J	R 2464 (A,114,30)	RS1/16SS472J
	R 2349 (A,110,51)	RS1/16SS822J	R 2466 (A,104,18)	RS1/16SS222J
	R 2351 (A,110,45)	RS1/16SS473J	R 2467 (B,104,34)	RS1/16SS473J
C	R 2354 (B,85,44)	RS1/16SS562J	R 2468 (B,104,35)	RS1/16SS472J
	R 2355 (B,87,38)	RS1/16SS104J	R 2469 (A,136,16)	RS1/16SS472J
	R 2356 (A,78,32)	RS1/16SS104J	R 2473 (B,95,11)	RS1/16SS104J
	R 2357 (B,76,43)	RS1/16SS152J	R 2475 (A,104,21)	RS1/16SS104J
	R 2358 (A,109,50)	RS1/16SS101J	R 2477 (A,98,19)	RS1/16SS392J
	R 2359 (B,117,50)	RS1/16SS473J	R 2479 (A,97,20)	RS1/16SS392J
	R 2360 (A,110,48)	RS1/16SS102J	R 2480 (A,94,20)	RS1/16SS104J
	R 2361 (B,117,48)	RS1/16SS473J	R 2482 (A,92,20)	RS1/16SS473J
	R 2362 (A,110,47)	RS1/16SS102J	R 2483 (A,95,20)	RS1/16SS472J
	R 2363 (B,110,52)	RS1/16SS472J	R 2484 (A,96,20)	RS1/16SS472J
	R 2364 (A,110,46)	RS1/16SS102J	R 2485 (A,91,20)	RS1/16SS473J
D	R 2365 (A,80,47) (A)	RS1/16SS102J	R 2487 (A,116,31)	RS1/16SS472J
	R 2366 (B,117,47)	RS1/16SS473J	R 2488 (A,110,49)	RS1/16SS101J
	R 2367 (B,112,52)	RS1/16SS102J	R 2490 (A,107,23)	RS1/16SS101J
	R 2368 (A,80,46) (A)	RS1/16SS101J	R 2491 (A,109,25)	RS1/16SS101J
	R 2369 (B,105,46)	RS1/16SS101J	R 2492 (A,110,26)	RS1/16SS681J
	R 2370 (A,104,56)	RS1/16SS0R0J	R 2493 (B,105,33)	RS1/16SS473J
	R 2372 (B,84,42)	RS1/16SS221J	R 2494 (A,92,53)	RS1/16SS473J
	R 2374 (A,100,57)	RS1/16SS0R0J	R 2495 (A,113,41)	RS1/16SS473J
	R 2375 (B,85,41)	RS1/16SS221J	R 2497 (B,87,35)	RS1/16SS221J
	R 2377 (A,80,41) (A)	RS1/16SS101J	R 2498 (B,87,28)	RS1/16SS103J
E	R 2382 (B,87,34)	RS1/16SS471J	R 2601 (B,84,63)	RS1/16SS0R0J
	R 2383 (A,110,38)	RS1/16SS102J	R 2602 (B,83,77)	RS1/16SS0R0J
	R 2385 (A,78,37)	RS1/16SS681J	R 2603 (B,83,78)	RS1/16SS0R0J
	R 2386 (A,80,37)	RS1/16SS681J	R 2604 (B,83,76)	RS1/16SS0R0J
	R 2387 (B,103,37)	RS1/16SS102J	R 2605 (B,90,82) (A)	RS1/16SS181J
	R 2388 (A,78,35)	RS1/16SS681J	R 2606 (B,87,80) (A)	RS1/16SS181J
	R 2390 (B,102,36)	RS1/16SS104J	R 2607 (B,91,80) (A)	RS1/16SS223J
	R 2391 (B,85,37)	RS1/16SS471J	R 2608 (B,88,80) (A)	RS1/16SS223J
	R 2396 (A,110,29)	RS1/16SS681J	R 2613 (B,94,82)	RS1/16SS223J
	R 2398 (A,111,28)	RS1/16SS681J	R 2614 (B,92,82)	RS1/16SS223J
F	R 2399 (A,78,28)	RS1/16SS0R0J	R 2615 (B,95,80)	RS1/16SS101J
	R 2400 (A,110,28)	RS1/16SS681J	R 2616 (B,92,80)	RS1/16SS101J
	R 2431 (B,77,41) (A)	RS1/16SS473J	R 2617 (B,93,80)	RS1/16SS101J
	R 2432 (B,108,31)	RS1/16SS473J	R 2618 (B,89,80) (A)	RS1/16SS471J
			R 2621 (B,98,82)	RS1/16SS223J

5		6		7		8	
<u>Circuit Symbol and No.</u>		<u>Part No.</u>		<u>Circuit Symbol and No.</u>		<u>Part No.</u>	
R 2622	(B,96,82)	RS1/16SS223J		(A,30,93) (B,C)		RS1/16SS105J	
R 2624	(B,97,80)	RS1/16SS101J	R 3002	(A,33,86)		RS1/16SS152J	
R 2625	(B,99,80)	RS1/16SS101J	R 3003	(A,36,82)		RS1/16SS105J	
R 2626	(B,96,80)	RS1/16SS101J	R 3004	(A,32,80)		RS1/16SS471J	A
R 2627	(B,103,76)	RS1/16SS223J	R 3005	(A,34,79)		RS1/16SS330J	
R 2628	(B,103,78)	RS1/16SS223J	R 3006	(A,32,76)		RS1/16SS151J	
R 2629	(B,103,74)	RS1/16SS101J	R 3007	(A,52,73)		RS1/16SS0R0J	
R 2630	(B,102,80)	RS1/16SS101J	R 3008	(B,32,70)		RS1/4SA5R6J	
R 2631	(B,102,76)	RS1/16SS101J	R 3009	(B,30,70)		RS1/4SA5R6J	
R 2643	(B,87,61)	RS1/16SS104J	R 3010	(B,28,70)		RS1/4SA5R6J	
R 2644	(B,93,59)	RS1/16SS75R0D	R 3011	(A,52,65)		RS1/16SS680J	
R 2645	(B,95,59)	RS1/16SS75R0D	R 3013	(A,46,63) (A)		RS1/16SS103J	
R 2647	(B,94,61)	RS1/16SS101J	R 3018	(A,44,66) (A)		RS1/16SS101J	
R 2648	(B,93,61)	RS1/16SS101J	R 3019	(A,43,63) (A)		RS1/16SS0R0J	
R 2649	(B,96,61)	RS1/16SS101J	R 3020	(A,43,66) (A)		RS1/16SS0R0J	B
R 2650	(B,95,61)	RS1/16SS101J	R 3021	(A,42,63) (A)		RS1/16SS0R0J	
R 2651	(B,98,67)	RS1/16SS101J	R 3022	(A,39,65)		RS1/16SS101J	
R 2654	(B,85,63)	RS1/16SS104J	R 3023	(A,38,67)		RS1/16SS0R0J	
R 2655	(B,82,73)	RS1/16SS0R0J	R 3024	(A,37,68)		RS1/16SS102J	
R 2656	(B,82,72)	RS1/16SS0R0J	R 3102	(A,57,59)		RS1/16SS0R0J	
R 2657	(B,85,65)	RS1/16SS75R0D	R 3103	(A,55,59)		RS1/8SQ0R0J	
R 2658	(B,85,66)	RS1/16SS0R0J	R 3104	(A,58,27)		RS1/16SS0R0J	
R 2659	(B,91,59)	RS1/16SS75R0D	R 3105	(A,64,35)		RS1/4SA220J	
R 2660	(B,92,61)	RS1/16SS101J	R 3106	(A,63,31)		RS1/16SS0R0J	
R 2661	(B,91,61)	RS1/16SS101J	R 3107	(A,64,40)		RS1/16SS472J	C
R 2701	(B,78,78)	RS1/10SR0R0J	R 3152	(B,27,43) (A)		RS1/16SS561J	
R 2704	(B,77,105)	RS1/10SR0R0J	R 3153	(A,152,36) (A)		RS1/10SR2R2J	
R 2705	(B,71,87)	RS1/16SS473J	R 3155	(B,152,33) (A)		RS1/16SS104J	
R 2706	(B,84,82)	RS1/16SS182J	R 3156	(B,28,52) (A)		RS1/16SS2001D	
R 2708	(B,66,87)	RS1/16SS0R0J	R 3157	(B,29,54) (A)		RS1/16SS1002D	
R 2709	(B,89,88)	RS1/16SS0R0J	R 3158	(B,29,47) (A)		RS1/16SS102J	
R 2710	(B,65,90)	RS1/16SS0R0J	R 3159	(B,148,34) (A)		RS1/16SS0R0J	
R 2711	(B,88,85)	RS1/16SS0R0J	R 3162	(B,143,36) (A)		RS1/16SS0R0J	
R 2712	(B,84,83)	RS1/16SS0R0J	R 3163	(B,144,36) (A)		RS1/16SS0R0J	
R 2713	(B,86,83)	RS1/16SS0R0J	R 3164	(B,146,37) (A)		RS1/16SS4303D	
R 2714	(B,88,90)	RS1/16SS0R0J	R 3165	(B,147,36) (A)		RS1/16SS1003D	D
R 2715	(A,77,33)	RS1/16SS0R0J	R 3166	(B,146,38) (A)		RS1/16SS822J	
R 2804	(B,101,99)	RS1/16SS103J	R 3167	(B,147,39) (A)		RS1/16SS124J	
R 2805	(B,101,98)	RS1/16SS103J	R 3170	(B,40,55) (A)		RS1/16SS102J	
R 2806	(B,102,96)	RS1/16SS103J	R 3207	(A,12,59) (A)		RS1/16SS0R0J	
R 2807	(B,99,99)	RS1/16SS103J	R 3208	(A,12,57) (A)		RS1/16SS221J	
R 2808	(B,97,97)	RS1/16SS0R0J	R 3210	(A,22,41) (A)		RAB4CQ221J	
R 2809	(B,93,92)	RS1/16SS821J	R 3216	(A,22,27) (A)		RAB4CQ0R0J	
R 2810	(B,102,90)	RS1/16SS102J	R 3228	(A,38,31)		RS1/10SR0R0J	
R 2811	(B,91,87)	RS1/16SS0R0J	R 3229	(A,38,29)		RS1/10SR0R0J	
R 2813	(B,90,90)	RS1/16SS104J	R 3301	(A,27,47)		RS1/16SS104J	
R 2851	(B,57,31)	RS1/16SS103J	R 3302	(A,36,33)		RS1/16SS0R0J	E
R 2852	(B,64,48)	RS1/16SS222J	R 3303	(A,44,16)		RS1/16SS0R0J	
R 2853	(B,58,25)	RS1/16SS102J	R 3304	(A,38,38)		RS1/16SS471J	
R 2854	(B,66,48)	RS1/16SS222J	R 3305	(A,33,18)		RS1/16SS0R0J	
R 2901	(B,33,97)	RS1/16SS0R0J	R 3306	(A,27,48)		RS1/16SS151J	
R 2903	(A,37,94)	RS1/16SS221J	R 3307	(B,33,21)		RS1/16SS103J	
R 2904	(A,40,91)	RS1/16SS751J	R 3308	(B,35,19)		RS1/16SS103J	
R 2906	(A,46,94)	RS1/16SS103J	R 3309	(B,29,7)		RS1/16SS103J	
R 2907	(A,51,97)	RS1/4SA181J	R 3310	(B,27,9)		RS1/16SS103J	
R 2908	(A,50,95)	RS1/10SR0R0J	R 3311	(B,34,9)		RS1/16SS103J	
R 2909	(A,51,86)	RS1/10SR220J	R 3312	(B,26,10)		RS1/16SS103J	
R 2912	(A,57,83)	RS1/16SS0R0J	R 3313	(B,33,9)		RS1/16SS103J	F
R 2914	(A,44,91)	RS1/16SS0R0J	R 3314	(B,26,15)		RS1/16SS103J	
R 3001	(A,30,93) (A)	CCSSCH5R0C50	R 3315	(B,35,9)		RS1/16SS103J	

1

2

3

4

Circuit Symbol and No.**Part No.****Circuit Symbol and No.****Part No.**

	R 3318 (B,28,9)	RS1/16SS221J	R 3614 (A,158,14)	RS1/16SS0R0J
	R 3320 (A,31,34)	RS1/16SS0R0J		
	R 3402 (B,111,14)	RS1/4SA151J	R 3616 (A,163,14)	RS1/16SS0R0J
A	R 3403 (A,105,15)	RS1/16SS223J	R 3617 (A,65,7)	RS1/16SS0R0J
	R 3404 (B,104,11)	RS1/16SS471J	R 3618 (A,64,7)	RS1/16SS0R0J
			R 3619 (A,111,32)	RS1/16SS0R0J
	R 3405 (B,113,9)	RS1/16SS271J	R 3620 (A,140,19)	RS1/16SS0R0J
	R 3406 (A,110,13)	RS1/8SQ103J		
	R 3408 (A,128,27)	RS1/16SS303J	R 3621 (A,141,19)	RS1/16SS0R0J
	R 3412 (B,124,28)	RS1/16SS471J	R 3623 (A,163,16)	RS1/16SS0R0J
	R 3413 (B,127,23)	RS1/16SS681J	R 3624 (A,164,14)	RS1/16SS0R0J
			R 3625 (A,165,16)	RS1/16SS0R0J
	R 3501 (B,38,135)	RS1/16SS152J	R 3626 (A,160,14)	RS1/16SS0R0J
	R 3510 (B,62,104)	RS1/16SS102J		
	R 3511 (B,49,111)	RS1/16SS821J	R 3629 (A,63,7)	RS1/16SS101J
	R 3512 (B,54,111)	RS1/16SS821J	R 3630 (A,159,16)	RS1/16SS101J
B	R 3513 (A,41,113) (B,C)	RS1/16SS104J	R 3631 (A,62,12)	RS1/16SS471J
	R 3516 (A,47,104)	RS1/10SR473J	R 3632 (A,139,16)	RS1/16SS681J
			R 3633 (A,140,16)	RS1/16SS681J
	R 3517 (A,40,111) (A)	RS1/16SS102J		
	R 3518 (B,61,111)	RS1/16SS102J	R 3634 (A,141,16)	RS1/16SS681J
	R 3519 (B,51,109)	RS1/16SS472J	R 3635 (A,156,16)	RS1/16SS0R0J
	R 3520 (B,52,109)	RS1/16SS472J	R 3636 (A,137,24)	RS1/10SR0R0J
	R 3521 (A,47,105)	RS1/10SR472J	R 3637 (A,137,25)	RS1/10SR0R0J
			R 3638 (A,137,27)	RS1/10SR0R0J
	R 3522 (B,61,112)	RS1/16SS391J		
	R 3523 (A,38,111) (A)	RS1/16SS103J	R 3701 (A,65,66)	RS1/16SS223J
	R 3524 (B,62,111)	RS1/16SS391J	R 3702 (A,67,60)	RS1/16SS223J
	R 3526 (A,36,113) (A)	RS1/16SS103J	R 3703 (A,69,87)	RS1/16SS104J
C	R 3527 (B,50,113)	RS1/10SR223J	R 3704 (A,76,86)	RS1/16SS104J
			R 3705 (A,82,84)	RS1/16SS0R0J
	R 3529 (B,53,113)	RS1/10SR223J		
	R 3530 (B,60,113)	RS1/16SS0R0J	R 3706 (A,75,93)	RS1/16SS0R0J
	R 3531 (B,49,140)	RS1/16SS0R0J	R 3707 (A,67,99)	RS1/10SR821J
	R 3532 (A,42,107)	RS1/16SS153J	R 3708 (A,76,101)	RS1/10SR821J
	R 3533 (A,35,114) (A)	RS1/16SS103J	R 3709 (A,82,62)	RS1/16SS473J
			R 3710 (A,82,63)	RS1/16SS473J
	R 3534 (B,155,120)	RS1/16SS102J		
	R 3535 (B,156,117)	RS1/16SS102J	R 3711 (A,82,73)	RS1/16SS473J
	R 3536 (B,29,111)	RS1/10SR390J	R 3712 (A,82,74)	RS1/16SS473J
	R 3537 (B,34,110)	RS1/10SR390J	R 3713 (A,73,71)	RS1/16SS473J
	R 3538 (B,32,109)	RS1/16SS472J	R 3714 (A,73,70)	RS1/16SS473J
D			R 3715 (A,72,61)	RS1/16SS473J
	R 3539 (B,36,111)	RS1/10SR390J		
	R 3540 (B,41,110)	RS1/10SR390J	R 3716 (A,72,60)	RS1/16SS473J
	R 3541 (B,39,109)	RS1/16SS472J	R 3717 (A,84,68)	RS1/16SS0R0J
	R 3542 (B,42,111)	RS1/10SR390J	R 3718 (A,71,66)	RS1/16SS0R0J
	R 3543 (B,47,110)	RS1/10SR390J	R 3719 (A,83,72)	RS1/16SS473J
			R 3720 (A,71,62)	RS1/16SS473J
	R 3544 (B,45,109)	RS1/16SS472J		
	R 3545 (B,30,109)	RS1/16SS472J	R 3721 (A,83,64)	RS1/16SS473J
	R 3546 (B,37,109)	RS1/16SS472J	R 3722 (A,71,69)	RS1/16SS473J
	R 3547 (B,43,109)	RS1/16SS472J	R 3723 (A,71,98)	RS1/16SS104J
	R 3548 (B,33,113)	RS1/10SR223J	R 3724 (A,72,99)	RS1/16SS104J
			R 3725 (A,80,74)	RS1/16SS473J
E	R 3549 (B,39,113)	RS1/10SR223J		
	R 3550 (B,46,113)	RS1/10SR223J	R 3726 (A,74,60)	RS1/16SS473J
	R 3551 (B,30,113)	RS1/10SR223J	R 3727 (A,80,62)	RS1/16SS473J
	R 3552 (B,36,113)	RS1/10SR223J	R 3728 (A,75,71)	RS1/16SS473J
	R 3553 (B,43,113)	RS1/10SR223J	R 3729 (A,76,68)	RS1/16SS0R0J
			R 3730 (A,78,65)	RS1/16SS0R0J
	R 3554 (A,22,117)	RS1/16SS102J		
	R 3555 (A,24,117)	RS1/16SS102J	R 3731 (A,72,105)	RS1/10SR473J
	R 3556 (A,23,117)	RS1/16SS102J	R 3732 (A,68,105)	RS1/10SR473J
	R 3558 (B,102,14) (C)	RS1/16SS470J	R 3733 (A,73,105)	RS1/10SR823J
	R 3560 (A,51,107)	RS1/16SS681J	R 3734 (A,67,105)	RS1/10SR823J
	R 3602 (A,32,12) (A)	RS1/16SS0R0J	R 3735 (B,73,111)	RS1/16SS0R0J
F				
	R 3603 (A,33,12) (A)	RS1/16SS0R0J	R 3737 (A,77,75)	RS1/16SS104J
	R 3608 (A,111,31)	RS1/16SS0R0J	R 3738 (A,78,75)	RS1/16SS104J
	R 3609 (A,135,14)	RS1/16SS0R0J	R 3739 (A,64,107)	RS1/16SS473J
	R 3613 (A,157,16)	RS1/16SS0R0J	R 3740 (A,75,107)	RS1/16SS473J

1

2

3

4

5		6		7		8	
<u>Circuit Symbol and No.</u>		<u>Part No.</u>		<u>Circuit Symbol and No.</u>		<u>Part No.</u>	
R 3741	(A,69,116)	RS1/16SS0R0J		C 2029	(A,116,107) 10 000 uF/16 V	CCH1849	
R 3743	(A,74,74)	RS1/16SS0R0J		C 2030	(B,79,10)	CKSSYB104K10	
R 3744	(A,64,110)	RS1/10SR473J		C 2031	(A,156,117)	CKSRYPB104K50	A
R 3745	(A,76,110)	RS1/10SR473J		C 2032	(B,75,8)	CKSSYB102K50	
R 3746	(A,72,83)	RS1/16SS0R0J		C 2033	(A,161,112)	CKSSYB102K50	
R 3747	(A,77,83)	RS1/16SS104J		C 2035	(A,152,121)	CKSRYPB104K50	
R 3748	(A,76,83)	RS1/16SS104J		C 2037	(B,72,11)	CKSSYB104K16	
R 3749	(A,75,83)	RS1/16SS473J		C 2038	(B,72,13)	CKSSYB103K16	
R 3750	(A,64,113)	RS1/16SS473J		C 2039	(B,76,16)	CKSRYPB823K16	
R 3751	(A,76,113)	RS1/16SS473J		C 2040	(A,150,127)	CKSRYPB104K50	
R 3752	(A,69,78)	RS1/16SS473J		C 2101	(A,67,123) 4.7 uF	CCG1201	
R 3753	(A,83,79)	RS1/16SS473J		C 2102	(A,85,122)	CKSRYPB105K16	
R 3754	(B,83,119)	RS1/16SS182J		C 2103	(B,77,122)	CKSRYPB224K16	
R 3755	(B,82,121)	RS1/16SS272J		C 2104	(B,86,121)	CKSRYPB224K16	
R 3756	(B,79,119)	RS1/16SS182J		C 2105	(B,79,122)	CKSRYPB224K16	B
R 3757	(B,81,121)	RS1/16SS272J		C 2106	(B,83,121)	CKSRYPB224K16	
R 3758	(B,86,119)	RS1/16SS182J		C 2107	(A,84,109) 3 300 uF/16 V	CCH1928	
R 3759	(B,84,121)	RS1/16SS272J		C 2108	(A,85,117)	CKSRYPB104K50	
R 3760	(B,77,119)	RS1/16SS182J		C 2109	(A,85,118)	CKSRYPB104K50	
R 3761	(B,78,121)	RS1/16SS272J		C 2111	(A,75,124)	CKSRYPB105K16	
R 3801	(B,122,81)	RS1/10SR274J		C 2112	(A,75,121) Capacitor	CEHVV100M16	
R 3802	(B,123,83)	RS1/10SR334J		C 2203	(B,115,89)	CKSRYPB103K50	
R 3803	(B,129,71)	RS1/16SS4303D		C 2204	(B,116,90) 10 uF	CCG1236	
R 3804	(B,127,73)	RS1/16SS0R0J		C 2250	(B,113,85)	CKSSYB103K25	
R 3805	(B,127,75)	RS1/16SS0R0J		C 2251	(B,113,82)	CKSSYB104K16	C
R 3806	(B,133,71)	RS1/16SS822J		C 2252	(A,127,53) 100 uF/16 V	CCH1565	
R 3807	(B,144,78)	RS1/10SR2R2J		C 2254	(B,123,53) 10 uF	CCG1236	
R 3808	(B,130,69)	RS1/16SS8202D		C 2255	(B,133,47)	CKSRYPB104K50	
R 3809	(B,129,84)	RS1/16SS1503D		C 2258	(B,132,43)	CKSSYB104K16	
R 3810	(B,132,85)	RS1/16SS472J		C 2259	(A,152,67)	CKSSYB103K25	
R 3811	(B,129,82)	RS1/16SS4703D		C 2260	(A,152,68)	CKSSYB103K25	
R 3812	(B,127,79)	RS1/16SS0R0J		C 2262	(A,151,69)	CKSQYB105K25	
R 3813	(B,127,80)	RS1/16SS0R0J		C 2263	(A,140,43) 10 uF	CCG1236	
R 3814	(A,124,67) 13 mohm	CCN1334		C 2264	(A,149,71)	CKSSYB473K16	
R 3815	(A,122,85) 15 mohm	CCN1328		C 2265	(A,138,43) 10 uF	CCG1236	
R 3816	(B,128,72)	RS1/16SS1502D		C 2266	(A,145,45) 100 uF/16 V	CCH1565	D
R 3817	(B,128,82)	RS1/16SS2002D		C 2267	(B,152,72)	CCSRCH560J50	
R 3818	(B,142,74)	RS1/10SR100J		C 2268	(A,154,82) 4.7 uF	CCG1222	
R 3819	(B,142,83)	RS1/10SR100J		C 2269	(A,155,85)	CKSRYPB104K50	
R 3820	(B,124,77)	RS1/16SS104J		C 2270	(A,164,106)	XCEVW101M16	
R 3822	(B,124,74)	RS1/16SS104J		C 2271	(B,156,104)	CKSRYPB103K50	
R 3823	(B,127,71)	RS1/10SR0R0J		C 2273	(B,54,48)	CKSQYB334K50	
R 3824	(B,126,82)	RS1/10SR0R0J		C 2274	(A,39,44) 4.7 uF	CCG1222	
R 3825	(A,119,77)	RS1/4SA0R0J		C 2277	(A,42,46) 4.7 uF	CCG1201	
R 3826	(B,124,80)	RS1/16SS0R0J		C 2278	(A,65,46)	XCEVW220M16	
R 3827	(B,127,77)	RS1/16SS0R0J		C 2279	(B,153,104)	CKSRYPB223K50	
R 3828	(A,120,66)	RS1/4SA0R0J		C 2280	(B,156,97)	CKSRYPB104K50	E
R 3829	(B,124,75)	RS1/16SS104J		C 2283	(A,120,53) 10 uF	DCH1165	
R 3830	(A,120,85) 15 mohm	CCN1328		C 2308	(A,94,52)	CKSSYB104K10	
R 3831	(A,124,65) 13 mohm	CCN1334		C 2309	(B,86,43)	CKSSYB103K16	
R 3901	(A,162,25)	RS1/16SS0R0J		C 2310	(B,88,41)	CCSSCH101J50	
R 3905	(B,159,24) (A)	RS1/16SS0R0J		C 2311	(B,86,38)	CCSSCH101J50	
R 3906	(B,159,23) (B)	RS1/16SS471J		C 2312	(A,79,34)	CKSSYB681K50	
R 3907	(B,159,21) (C)	RS1/16SS0R0J		C 2314	(B,88,33)	CCSSCH101J50	
CAPACITORS				C 2318	(B,114,61)	CKSSYB104K10	
C 2024	(B,103,113)	CKSRYPB105K16		C 2319	(A,110,39)	CCSSCH120J50	
C 2027	(A,151,99)	CKSRYPB104K50		C 2320	(B,104,41)	CKSRYPB105K10	F
C 2028	(A,139,109)	CEAT472M16		C 2321	(B,105,39)	CKSSYB103K16	
				C 2322	(A,111,38)	CCSSCH120J50	
				C 2323	(A,81,35)	CKSSYB104K10	

	1	2	3	4
	<u>Circuit Symbol and No.</u>	<u>Part No.</u>	<u>Circuit Symbol and No.</u>	<u>Part No.</u>
	C 2324 (B,102,37)	CKSSYB104K10	C 2712 (B,77,102) 10 uF	CCG1236
	C 2325 (A,110,34) 4.7 uF	CCG1201	C 2713 (B,76,99)	CCSSCH100D50
A	C 2326 (B,102,42)	CKSSYB153K16	C 2714 (B,74,83) 10 uF	CCG1192
	C 2327 (B,95,52)	CKSSYB104K10	C 2715 (B,80,100) 10 uF	CCG1236
	C 2328 (B,96,51) 10 uF	CCG1234	C 2716 (B,77,84)	CCSSCH100D50
	C 2329 (A,104,24)	CKSSYB103K16	C 2717 (B,79,83)	CKSRYB474K10
	C 2330 (A,105,23)	CKSRYB105K10	C 2718 (B,81,83)	CKSQYB225K10
	C 2331 (A,99,24)	CKSSYB104K10	C 2719 (B,83,100)	CKSRYB105K10
	C 2333 (B,105,38)	CKSSYB104K10	C 2720 (B,82,83)	CKSSYB222K50
	C 2334 (A,83,22) (A)	CKSSYB104K10	C 2721 (B,87,92)	CKSYB475K16
	C 2335 (A,99,21)	CKSSYB104K10	C 2722 (B,87,94)	CCSQCH223J50
	C 2338 (B,106,27)	CKSSYB102K50	C 2723 (B,87,95)	CCSQCH223J50
	C 2344 (B,89,36)	CCSSCH330J50	C 2724 (B,87,97)	CKSRYB105K10
B	C 2601 (B,101,79)	CKSRYB105K10	C 2725 (B,86,85)	CKSRYB105K10
	C 2602 (B,101,75)	CKSRYB105K10	C 2726 (B,84,85)	CKSRYB105K10
	C 2603 (B,101,74)	CKSRYB105K10	C 2727 (B,86,87)	CKSRYB105K10
	C 2604 (B,101,72)	CKSRYB105K10	C 2728 (B,86,89)	CKSRYB105K10
	C 2605 (B,101,71)	CKSRYB105K10	C 2729 (B,86,90)	CKSRYB105K10
	C 2606 (B,101,70)	CKSRYB105K10	C 2730 (B,85,85)	CKSRYB105K10
	C 2607 (B,98,69)	CKSSYB104K10	C 2731 (B,77,83)	CCSSCH820J50
	C 2608 (B,99,68)	CKSRYB105K10	C 2732 (B,76,100)	CCSSCH820J50
	C 2609 (B,99,78)	CKSRYB105K10	C 2801 (B,107,97) 10 uF	CCG1192
	C 2610 (B,97,78)	CKSRYB105K10	C 2802 (B,105,97) 10 uF	CCG1192
	C 2611 (B,96,78)	CKSRYB105K10	C 2803 (B,102,97)	CCSSCH221J50
C	C 2612 (B,95,78)	CKSRYB105K10	C 2804 (B,99,98)	CCSSCH221J50
	C 2613 (B,94,63)	CKSSYB104K10	C 2805 (B,98,89)	CKSSYB104K16
	C 2614 (B,93,78)	CKSRYB105K10	C 2807 (B,95,94)	CKSRYB105K10
	C 2615 (B,93,63)	CKSSYB104K10	C 2808 (B,102,92)	CKSSYB103K16
	C 2616 (B,92,78)	CKSRYB105K10	C 2810 (B,103,92) 10 uF	CCG1234
	C 2617 (B,92,63)	CKSSYB104K10	C 2851 (B,59,31)	CKSSYB104K16
	C 2618 (B,91,78) (A)	CKSRYB105K10	C 2902 (B,27,97)	CCSSCH270J50
	C 2619 (B,91,63)	CKSSYB104K10	C 2903 (B,29,99)	CCSSCH270J50
	C 2620 (B,89,78) (A)	CKSRYB105K10	C 2904 (B,30,100)	CCSSCH270J50
	C 2621 (B,90,63)	CKSSYB104K10	C 2905 (B,35,97)	CCSSCH220J50
	C 2622 (B,88,78) (A)	CKSRYB105K10	C 2906 (B,35,99)	CCSSCH270J50
D	C 2623 (B,89,63)	CKSSYB104K10	C 2908 (B,37,99)	CCSSCH220J50
	C 2624 (B,85,79)	CKSRYB105K10	C 2910 (A,39,97)	CCSSCH6R0D50
	C 2625 (B,88,63)	CKSSYB104K10	C 2911 (A,38,93)	CKSSYB103K16
	C 2626 (B,85,77)	CKSRYB105K10	C 2913 (A,41,92)	CKSSYB103K16
	C 2627 (B,87,63)	CKSSYB104K10	C 2914 (A,51,81)	CKSSYB103K16
	C 2628 (B,85,76)	CKSRYB105K10	C 2917 (A,45,91)	CKSSYB103K16
	C 2629 (B,86,63)	CKSSYB104K10	C 2919 (A,52,87)	CKSSYB103K16
	C 2630 (B,81,66) 10 uF	CCG1192	C 2921 (A,57,93)	CCSSCH270J50
	C 2631 (B,85,67)	CKSSYB104K10	C 2922 (A,47,95)	CKSSYB103K16
	C 2632 (B,85,68)	CKSSYB104K10	C 3001 (A,29,92)	CKSSYB103K16
	C 2633 (B,85,72)	CCSSCH820J50	C 3002 (A,45,84)	CKSSYB104K10
E	C 2634 (B,85,70)	CCSSCH820J50	C 3003 (A,41,83)	CKSSYB104K10
	C 2635 (B,84,73) 10 uF	CCG1192	C 3004 (A,42,84)	CKSSYB104K10
	C 2636 (B,83,70) 10 uF	CCG1192	C 3005 (A,49,81)	CKSSYB103K16
	C 2637 (B,95,63)	CKSSYB104K10	C 3006 (A,35,82)	CCSSCJ3R0C50
	C 2638 (B,96,63)	CKSSYB104K10	C 3007 (A,36,84)	CKSSYB223K16
	C 2702 (B,69,87)	CKSSYB104K10	C 3008 (A,48,82)	CKSSYB223K16
	C 2703 (B,67,92)	CKSYB475K16	C 3009 (A,48,83)	CKSSYB103K16
	C 2705 (B,68,89)	CKSRYB105K10	C 3010 (A,47,85)	CKSRYB105K10
	C 2706 (B,68,90)	CKSRYB105K10	C 3011 (A,44,84)	CKSSYB223K16
	C 2707 (B,67,94)	CKSRYB105K10	C 3012 (A,43,82)	CKSSYB103K16
F	C 2708 (B,67,95)	CKSRYB105K10	C 3013 (A,40,83)	CKSSYB103K16
	C 2709 (B,67,97)	CKSRYB105K10	C 3014 (A,38,84) 10 uF	CCG1192
	C 2710 (B,76,101)	CKSSYB104K16	C 3015 (A,50,80)	CKSSYB223K16
	C 2711 (B,77,82)	CKSSYB104K10	C 3016 (A,53,80)	CKSRYB224K16

5		6		7		8	
<u>Circuit Symbol and No.</u>		<u>Part No.</u>		<u>Circuit Symbol and No.</u>		<u>Part No.</u>	
C 3017	(A,32,81) 10 uF	CCG1192		C 3309	(A,33,34)	CKSRYB105K10	
C 3018	(A,52,78)	CKSSYB104K10		C 3311	(A,37,35)	CKSSYB104K10	
C 3019	(A,53,77)	CKSRYB105K10		C 3313	(B,34,21)	CKSSYB104K16	A
C 3020	(A,34,80)	CKSSYB104K10		C 3314	(B,30,20)	CKSSYB104K16	
C 3021	(A,55,75)	CKSSYB472K25		C 3315	(B,28,21)	CKSRYB105K10	
C 3022	(A,55,76)	CKSSYB472K25		C 3316	(B,29,19)	CKSSYB104K10	
C 3023	(A,32,79)	CCSSCH101J50		C 3317	(B,30,10)	CKSSYB104K10	
C 3024	(A,38,81)	CKSSYB104K10		C 3318	(B,31,9)	CKSRYB105K10	
C 3025	(A,30,78)	CKSSYB103K16		C 3319	(B,36,16) 10 uF	CCG1192	
C 3026	(A,55,74)	CCSSCH9R0D50		C 3401	(B,112,11)	CKSSYB153K16	
C 3027	(A,52,74)	CKSSYB104K10		C 3402	(A,112,17)	CKSRYB105K16	
C 3028	(A,34,75)	CKSRYB391K50		C 3403	(A,109,8) 100 uF/16 V	CCH1565	
C 3029	(A,35,72)	CKSSYB104K16		C 3404	(B,128,23)	CKSSYB104K10	
C 3030	(A,34,69)	CKSRYB474K10		C 3501	(B,40,134) 10 uF	CCG1234	B
C 3031	(A,35,74)	CKSSYB104K16		C 3505	(B,64,107)	CKSSYB104K10	
C 3032	(A,34,67)	CKSSYB104K10		C 3506	(B,49,109) 4.7 uF	CCG1201	
C 3033	(A,56,68)	CCSSCH9R0D50		C 3507	(B,54,109) 4.7 uF	CCG1201	
C 3036	(A,33,74)	CKSSYB104K16		C 3508	(A,57,107)	XCEVW470M16	
C 3039	(A,37,65)	CKSSYB104K10		C 3509	(B,33,106) 10 uF	CCG1236	
C 3040	(A,51,66)	CKSSYB104K10		C 3510	(B,29,106) 10 uF	CCG1236	
C 3042	(A,48,65) 4.7 uF	CCG1212		C 3511	(B,40,106) 10 uF	CCG1236	
C 3043	(A,48,66)	CKSSYB104K10		C 3512	(B,36,106) 10 uF	CCG1236	
C 3044	(A,41,66)	CKSSYB104K10		C 3513	(B,47,106) 10 uF	CCG1236	
C 3045	(A,37,69)	CKSSYB102K50		C 3514	(B,42,106) 10 uF	CCG1236	
C 3046	(B,39,75)	CKSRYB104K50		C 3515	(A,36,111) (A)	CKSSYB104K10	C
C 3047	(B,37,73)	CKSRYB104K50		C 3516	(A,30,113)	CKSRYB102K50	
C 3048	(B,42,73)	CKSRYB104K50		C 3518	(B,155,119)	CKSSYB102K50	
C 3049	(B,35,66)	CKSRYB104K50		C 3519	(B,156,121)	CKSSYB102K50	
C 3102	(A,48,42)	CKSSYB102K50		C 3522	(A,21,116)	CKSRYB103K50	
C 3103	(A,48,34)	CKSSYB104K10		C 3523	(B,96,11) (C)	CKSSYB104K10	
C 3104	(A,48,30)	CCSSCH130J50		C 3703	(A,69,89)	CKSQYB105K16	
C 3105	(A,63,32)	CKSSYB104K10		C 3704	(A,81,92)	CKSQYB105K16	
C 3106	(A,63,41)	CKSSYB103K16		C 3705	(A,79,88)	CKSSYB104K16	
C 3107	(A,62,38)	CKSSYB104K10		C 3706	(A,81,86) 10 uF	CCG1192	
C 3108	(A,63,38)	CKSSYB103K16		C 3707	(A,67,96)	CKSQYB105K16	
C 3109	(A,62,36)	CKSRYB105K16		C 3708	(A,76,99)	CKSQYB105K16	D
C 3111	(A,64,38)	CKSSYB104K10		C 3709	(A,86,64) 10 uF	CCG1192	
C 3151	(B,30,43) (A)	CKSSYB104K10		C 3710	(A,86,66) 10 uF	CCG1192	
C 3152	(A,144,27) 4.7 uF(A)	CCG1229		C 3711	(A,86,68) 10 uF	CCG1192	
C 3153	(B,28,43) 4.7 uF(A)	CCG1212		C 3712	(A,86,70) 10 uF	CCG1192	
C 3154	(B,39,52) 4.7 uF(A)	CCG1201		C 3713	(A,68,70) 10 uF	CCG1192	
C 3155	(A,152,33) (A)	CKSRYB102K50		C 3714	(A,68,68) 10 uF	CCG1192	
C 3156	(B,36,43) 4.7 uF(A)	CCG1201		C 3715	(A,68,64) 10 uF	CCG1192	
C 3157	(A,159,34) 10 uF(A)	CCG1236		C 3716	(A,68,62) 10 uF	CCG1192	
C 3159	(B,155,38) (A)	CKSRYB474K16		C 3717	(A,83,71)	CCSSCH330J50	
C 3160	(B,152,35) (A)	CKSSYB104K10		C 3718	(A,71,63)	CCSSCH330J50	
C 3161	(B,29,51) 4.7 uF(A)	CCG1212		C 3719	(A,83,65)	CCSSCH330J50	E
C 3164	(B,146,36) (A)	CCSSCH680J50		C 3720	(A,71,68)	CCSSCH330J50	
C 3167	(B,145,39) (A)	CKSSYB222K50		C 3721	(A,80,73)	CCSSCH330J50	
C 3205	(A,22,44) 10 uF(A)	CCG1234		C 3722	(A,74,61)	CCSSCH330J50	
C 3207	(A,23,33) 10 uF(A)	CCG1234		C 3723	(A,80,63)	CCSSCH330J50	
C 3211	(B,12,7) (A)	CKSSYB104K16		C 3724	(A,75,70)	CCSSCH330J50	
C 3301	(B,49,22)	CKSSYB104K16		C 3725	(A,77,70)	CKSRYB105K16	
C 3302	(A,32,49)	CKSSYB104K16		C 3726	(A,77,64)	CKSRYB105K16	
C 3303	(A,35,17)	CKSSYB104K16		C 3727	(A,67,102)	CKSQYB105K16	
C 3304	(A,28,47)	CKSSYB104K16		C 3728	(A,73,102)	CKSQYB105K16	
C 3305	(A,32,48)	CKSSYB104K16		C 3729	(A,78,72)	CKSSYB104K16	
C 3306	(A,31,48)	CKSSYB104K16		C 3730	(A,76,62)	CKSSYB104K16	F
C 3307	(B,48,19)	CKSRYB474K10		C 3731	(A,69,102) 4.7 uF	CCG1201	
C 3308	(A,43,16)	CKSSYB104K10		C 3732	(A,71,102) 4.7 uF	CCG1201	

	1	2	3	4
	<u>Circuit Symbol and No.</u>	<u>Part No.</u>	<u>Circuit Symbol and No.</u>	<u>Part No.</u>
	C 3733 (A,71,80)	CKSQYB105K16	IC 1401 (A,132,100) IC	BH7673G
	C 3734 (A,81,76)	CKSQYB105K16	IC 1402 (A,127,100) IC	BH7673G
	C 3735 (A,71,77)	CKSQYB105K16		
A	C 3736 (A,81,80)	CKSQYB105K16	IC 1403 (B,129,100) IC	BH7673G
	C 3740 (A,75,75)	CKSSYB104K16	IC 1404 (A,61,103) IC	OZ529IGN
	C 3741 (A,65,107)	CCSSCH220J50	IC 1501 (B,35,90) IC	TPS2034D
	C 3742 (A,76,107)	CCSSCH220J50	IC 1502 (B,29,88) IC	TC7SH08FUS1
	C 3743 (A,69,113)	CKSRBY104K50	IC 1601 (A,28,92) L-MOS And Gate(B)	TC7SET08FUS1
			IC 1602 (A,28,98) IC(B)	TC7SH08FUS1
			IC 1701 (B,11,110) L-MOS And Gate(A)	TC7SET08FUS1
	C 3746 (A,65,113)	CCSSCH220J50	IC 1702 (B,18,111) L-MOS And Gate(A)	TC7SET08FUS1
	C 3747 (A,75,113)	CCSSCH220J50	IC 1703 (B,19,100) IC(A)	TC7SH08FUS1
	C 3748 (A,80,88)	CCSSCH820J50	Q 1 (A,82,36) Transistor	2SB1260
	C 3749 (A,69,114)	CCSSCH820J50	Q 2 (A,85,33) Transistor	LTC014EEB
	C 3801 (B,122,80)	CKSRBY103K50	Q 3 (B,36,74) Transistor	2SA1834F5
B	C 3803 (B,134,84)	CKSRBY153K50	Q 4 (B,31,81) Transistor	LSCR523UB
	C 3804 (B,129,74)	CCSRCH102J50	Q 5 (B,84,119) Transistor	LTC014EEB
	C 3805 (B,142,73)	CKSRBY104K50	Q 453 (A,45,79) Transistor	DTC623TU
	C 3806 (B,129,72)	CCSSCH100D50	Q 454 (A,45,83) Chip Transistor	RN4982
	C 3807 (B,133,70)	CCSSCH220J50	Q 501 (B,98,104) Transistor	LTC014EEB
	C 3808 (B,132,70)	CKSRBY222K50		
	C 3809 (B,142,79) 4.7 uF	CCG1201	Q 502 (B,102,102) Transistor	LSAR523UB
	C 3810 (B,141,77)	CKSRBY104K50	Q 601 (B,119,56) Transistor	LSCR523UB
	C 3811 (B,131,84)	CKSRBY472K50	Q 1101 (A,155,50) Chip Transistor	2SB1689
	C 3812 (B,131,85)	CCSSCH100D50	Q 1102 (A,155,47) Transistor	LSCR523UB
			Q 1203 (B,163,61) Transistor	2SB1132
C	C 3813 (B,140,83)	CKSRBY104K50	Q 1701 (A,38,105) Transistor(A)	2SB1132
	C 3814 (B,129,81)	CCSSCH8R0D50	Q 1702 (A,37,93) Transistor(A)	LTC014EEB
	C 3815 (B,129,79)	CCSRCH102J50	Q 1703 (A,45,104) Transistor(A)	2SD2153
	C 3816 (B,139,72)	CKSSYB222K50	Q 1801 (B,83,87) Chip Transistor	RN4982
	C 3817 (A,124,71) 22 uF	CCG1254	Q 1802 (B,80,84) Chip Transistor	HN1C03FU
	C 3818 (A,122,82) 22 uF	CCG1254		
	C 3819 (A,144,72) 10 uF	CCG1236	Q 1803 (A,72,71) Transistor	2SB1260
	C 3820 (A,143,82) 10 uF	CCG1236	Q 1804 (A,65,71) Transistor	LTC014EEB
	C 3821 (A,121,70) 47 uF	CCG1229	D 501 (A,110,84) Diode	DA2J101
	C 3822 (A,122,79) 47 uF	CCG1229	D 503 (B,113,98) Diode	EZAEG2A50AX
			D 504 (B,115,98) Diode	EZAEG2A50AX
			D 505 (B,115,99) Diode	EZAEG2A50AX
			D 506 (B,117,99) Diode	EZAEG2A50AX
			D 507 (B,117,98) Diode	EZAEG2A50AX
			D 508 (B,119,98) Diode	EZAEG2A50AX
			D 509 (B,120,99) Diode	EZAEG2A50AX
			D 510 (B,121,99) Diode	EZAEG2A50AX
			D 511 (B,104,98) Diode	EZAEG2A50AX
			D 512 (B,102,97) Diode	EZAEG2A50AX
			D 514 (B,94,111) Diode	1SR154-400
			D 1110 (A,94,38) Diode	RB520G-30
			D 1111 (A,95,38) Diode	RB520G-30
			D 1112 (B,94,25) Diode	RKZ3.9KG(B2)
			D 1401 (A,137,117) Diode	EZAEG2A50AX
			D 1402 (A,135,117) Diode	EZAEG2A50AX
			D 1410 (B,142,119) Diode	DZ2J068M0
			D 1411 (A,57,96) Diode	DB2X41400
			D 1501 (B,38,117) Diode	DZ2J068M0
			D 1601 (A,29,95) Diode(B)	DA2J101
			D 1708 (A,46,108) Diode(A)	RKZ16KG(B2)
			L 1 (B,37,56) Inductor	CTF1787
			L 2 (B,35,56) Inductor	CTF1787
			L 3 (B,36,56) Inductor	CTF1787
			L 4 (B,40,44) Inductor	CTF1787
			L 5 (B,40,45) Inductor	CTF1787
			L 6 (B,38,44) Inductor	CTF1787
			L 201 (A,41,71) Chip Ferrite Bead	DTL1107

B

Unit Number: CXX5396(A)
Unit Number: CXX5397(B)
Unit Number: CXX5398(C)
Unit Name : Navi Unit(Service)

MISCELLANEOUS

IC 1 (B,79,114) IC	NJM2387ADL3
IC 201 (A,35,59) IC	ML7037-003TBZ0
IC 301 (B,127,78) IC	WM8761BGED
IC 302 (B,119,79) 1 Chip or Gate	TC7SH32FUS1
IC 303 (B,131,22) IC	WM8761BGED
IC 304 (B,117,28) IC	WM8761BGED
IC 305 (A,93,49) IC	WM8761BGED
IC 451 (A,37,75) Dual OP-AMP	NJM4565V
IC 454 (A,30,84) Dual OP-AMP	NJM4565V
IC 501 (B,117,89) IC	MN864779KT
IC 502 (B,94,104) Regulator IC	S-1172B33-E6
IC 503 (B,94,92) Regulator IC	S-1172B12-E6
IC 602 (B,105,66) IC	DT090197S
IC 603 (A,82,68) Regulator IC	S-1172B15-E6
IC 604 (A,88,60) Regulator IC	NJM2878F3-25
IC 702 (B,80,60) IC	DS90C241QVS
IC 901 (A,129,68) ASIC	UPD65945GJ-Y30
IC 1204 (B,153,62) IC	NJM2115V

5		6	
<u>Circuit Symbol and No.</u>		<u>Part No.</u>	
L 301	(B,124,70) Chip Ferrite Bead	DTL1107	
L 302	(B,129,15) Chip Ferrite Bead	DTL1107	
L 303	(B,114,20) Chip Ferrite Bead	DTL1107	
L 304	(A,90,56) Chip Ferrite Bead	DTL1107	
L 501	(B,125,89) Chip Beads	VTL1126	
L 502	(B,118,96) Filter	CTF1834	
L 503	(B,121,96) Filter	CTF1834	
L 504	(B,114,96) Filter	CTF1834	
L 505	(B,116,96) Filter	CTF1834	
L 506	(A,114,94) Ferrite Bead	CTF1528	
L 507	(B,109,89) Chip Beads	VTL1126	
L 603	(A,92,68) Chip Ferrite Bead	BTX1047	
L 604	(A,114,59) Inductor	CTF1635	
L 605	(A,100,77) Chip Ferrite Bead	BTX1047	
L 606	(A,98,55) Inductor	CTF1635	
L 607	(A,93,64) Chip Ferrite Bead	BTX1047	
L 707	(B,81,49) Inductor	CTF1731	
L 708	(A,71,57) Chip Ferrite Bead	BTX1047	
L 801	(B,103,16) Chip Ferrite Bead	BTX1047	
L 901	(A,139,82) Ferrite Bead	CTF1528	
L 902	(A,144,70) Ferrite Bead	CTF1528	
L 903	(B,143,58) Ferrite Bead	CTF1528	
L 904	(A,121,52) Ferrite Bead	CTF1528	
L 905	(B,118,68) Ferrite Bead	CTF1528	
L 906	(A,122,84) Ferrite Bead	CTF1528	
L 907	(B,118,75) Inductor	CTF1795	
L 908	(B,117,73) Inductor	CTF1795	
L 909	(A,116,59) Inductor	CTF1795	
L 910	(A,127,54) Inductor	CTF1795	
L 911	(A,126,54) Inductor	CTF1795	
L 912	(A,122,81) Inductor	CTF1795	
L 913	(A,123,81) Inductor	CTF1795	
L 914	(A,130,82) Inductor(A)	CTF1795	
L 915	(A,129,81) Inductor(A)	CTF1795	
L 916	(A,133,82) Inductor	CTF1795	
L 917	(A,132,81) Inductor	CTF1795	
L 918	(A,143,73) Inductor	CTF1795	
L 919	(A,143,71) Inductor	CTF1795	
L 1001	(B,100,45) Chip Beads	VTL1126	
L 1002	(B,101,46) Chip Beads	VTL1126	
L 1003	(B,101,45) Chip Beads	VTL1126	
L 1004	(B,102,46) Chip Beads	VTL1126	
L 1005	(B,103,45) Chip Beads	VTL1126	
L 1006	(B,103,46) Chip Beads	VTL1126	
L 1007	(B,104,45) Chip Beads	VTL1126	
L 1008	(B,105,46) Chip Beads	VTL1126	
L 1009	(B,106,45) Chip Beads	VTL1126	
L 1010	(B,106,46) Chip Beads	VTL1126	
L 1011	(B,107,45) Chip Beads	VTL1126	
L 1012	(B,107,46) Chip Beads	VTL1126	
L 1013	(B,101,31) Chip Beads	VTL1126	
L 1014	(B,102,33) Chip Beads	VTL1126	
L 1015	(B,103,33) Chip Beads	VTL1126	
L 1016	(B,104,31) Chip Beads	VTL1126	
L 1017	(B,104,33) Chip Beads	VTL1126	
L 1018	(B,105,31) Chip Beads	VTL1126	
L 1019	(B,106,33) Chip Beads	VTL1126	
L 1020	(B,106,31) Chip Beads	VTL1126	
L 1021	(B,126,33) Chip Beads	VTL1127	
L 1022	(B,126,45) Chip Beads	VTL1126	

7		8	
<u>Circuit Symbol and No.</u>		<u>Part No.</u>	
L 1023	(B,100,33) Chip Beads	VTL1126	
L 1024	(B,132,33) Chip Beads	VTL1127	
L 1025	(B,102,32) Chip Beads	VTL1126	
L 1026	(B,136,45) Inductor	CTF1787	
L 1027	(B,135,47) Inductor	CTF1787	
L 1028	(B,137,45) Inductor	CTF1787	
L 1101	(A,135,44) Inductor	CTF1736	
L 1102	(A,106,36) Inductor	CTF1736	
L 1201	(B,153,71) Inductor	LCYC1R0K2125	
L 1202	(B,157,67) Chip Ferrite Bead	OTL8019	
L 1203	(B,149,71) Inductor	CTF1547	
L 1204	(B,147,62) Inductor	CTF1795	
L 1205	(B,162,67) Inductor	CTF1795	
L 1301	(B,38,38) Inductor	CTF1735	
L 1401	(A,136,115) Choke Coil 90 ohm	CTH1319	
L 1403	(B,59,108) Choke Coil 33 uH	CTH1417	
L 1405	(B,140,112) Inductor	CTF1795	
L 1406	(B,138,112) Inductor	CTF1795	
L 1407	(B,139,112) Inductor	CTF1795	
L 1501	(B,31,94) Inductor	CTF1795	
L 1701	(A,36,111) Inductor(A)	CTF1738	
L 1705	(B,18,118) Inductor(A)	CTF1787	
X 201	(A,45,64) Resonator 12.288 MHz	CSS1811	
X 501	(B,107,93) Resonator 27.000 MHz	CSS1768	
X 601	(B,121,62) Crystal Resonator 42 MHz	CSS1604	
△ P1701	(A,44,101) Fuse 1.0 A(A)	CEK1381	
U 1301	(B,42,25) BT Module	CWX3984	
CN1	(B,42,51) Connector	CKS5586	
CN2	(B,146,7) Connector	CKS6464	
CN3	(B,52,75) Connector	CKS6496	
CN4	(B,64,123) Connector	CKS4977	
CN805	(B,104,10) Connector	CKS6535	
CN1001	(B,142,102) Terminal	CKF1084	
CN1002	(B,103,39) Connector	CKS6399	
CN1003	(B,138,39) Connector	CKS6399	
CN1004	(B,86,23) Terminal	CKF1084	
CN1401	(B,139,127) Connector	CKS5867	
CN1601	(A,19,95) Connector(B)	AKM1274	
CN1801	(A,79,84) Connector	CKS6025	
JA101	(B,8,127) Jack	CKN1040	
JA501	(B,115,107) Connector	CKS6560	
JA1101	(A,136,25) Connector	YKS5040	
JA1102	(A,105,18) Connector	CKS6282	
JA1202	(B,158,127) Connector	CKS5702	
JA1501	(B,43,127) USB Jack	CKN1091	
JA1701	(B,23,129) Connector(A)	CKS6495	
UA1201	(B,153,83) GPS Unit	CWX4204	

RESISTORS

R 2	(A,83,40)	RS1/16SS473J
R 3	(A,85,36)	RS1/10SR561J
R 4	(B,76,123)	RS1/16SS0R0J
R 5	(B,28,75)	RS1/4SA560J
R 6	(B,38,82)	RS1/10SR103J
R 7	(B,35,82)	RS1/4SA470J
R 8	(B,31,79)	RS1/16SS103J
R 9	(B,33,79)	RS1/16SS332J
R 10	(A,87,33)	RS1/16SS0R0J
R 35	(B,84,115)	RS1/16SS1002D

1

2

3

4

Circuit Symbol and No.**Part No.****Circuit Symbol and No.****Part No.**

R 36	(B,84,117)	RS1/16SS2701D	R 489	(A,35,85)	RS1/16SS473J
R 37	(B,84,118)	RS1/16SS2001D	R 490	(A,37,82)	RS1/16SS103J
R 38	(B,77,123)	RS1/16SS473J	R 491	(A,37,81)	RS1/16SS103J
R 39	(B,73,119)	RS1/4SA0R0J	R 492	(A,37,83)	RS1/16SS103J
R 111	(A,17,113)	RS1/16SS0R0J	R 493	(A,32,88)	RS1/16SS0R0J
R 112	(A,6,112)	RS1/16SS102J	R 494	(A,33,88)	RS1/16SS0R0J
R 114	(A,8,115)	RS1/16SS102J	R 501	(A,111,85)	RS1/16SS273J
R 201	(A,39,69)	RS1/16SS0R0J	R 502	(B,124,95)	RS1/16SS0R0J
R 202	(A,25,61)	RS1/16SS0R0J	R 503	(B,125,94)	RS1/16SS0R0J
R 203	(A,34,50)	RS1/16SS0R0J	R 504	(A,112,82)	RS1/16SS473J
R 204	(A,36,70)	RS1/16SS0R0J	R 505	(B,125,90)	RS1/16SS0R0J
R 206	(A,27,61)	RS1/16SS103J	R 506	(A,113,87)	RS1/16SS0R0J
R 207	(A,39,50)	RS1/16SS561J	R 507	(A,114,87)	RS1/16SS103J
R 208	(A,36,49)	RS1/16SS0R0J	R 509	(A,112,87)	RS1/16SS0R0J
R 210	(A,43,58)	RS1/16SS0R0J	R 510	(A,110,87)	RS1/16SS472J
R 211	(A,43,61)	RS1/16SS102J	R 511	(A,114,82)	RS1/16SS473J
R 212	(A,43,62)	RS1/16SS105J	R 512	(A,113,82)	RS1/16SS473J
R 213	(A,43,59)	RS1/16SS681J	R 514	(A,123,89)	RS1/16SS333J
R 214	(A,43,60)	RS1/16SS681J	R 515	(A,121,87)	RS1/16SS333J
R 215	(A,33,69)	RS1/16SS333J	R 516	(A,121,89)	RS1/16SS333J
R 216	(A,33,67)	RS1/16SS104J	R 517	(A,122,89)	RS1/16SS333J
R 217	(A,31,68)	RS1/16SS124J	R 518	(B,127,89)	RS1/16SS101J
R 218	(A,30,70)	RS1/16SS123J	R 519	(B,125,91)	RS1/16SS681J
R 219	(A,27,55)	RS1/16SS681J	R 520	(B,125,92)	RS1/16SS681J
R 220	(A,27,56)	RS1/16SS681J	R 521	(B,125,93)	RS1/16SS681J
R 221	(A,27,57)	RS1/16SS561J	R 524	(A,108,85)	RS1/16SS0R0J
R 222	(A,27,58)	RS1/16SS561J	R 525	(A,121,97)	RS1/16SS0R0J
R 301	(B,133,17)	RS1/16SS0R0J	R 526	(A,117,82)	RS1/16SS0R0J
R 302	(B,122,78)	RS1/16SS0R0J	R 527	(B,115,78)	RAB4CQ220J
R 304	(B,128,73)	RS1/16SS0R0J	R 528	(B,112,78)	RAB4CQ220J
R 305	(B,121,75)	RS1/16SS821J	R 529	(B,115,81)	RAB4CQ0R0J
R 306	(B,132,75)	RS1/16SS821J	R 530	(B,112,81)	RAB4CQ0R0J
R 307	(B,126,20)	RS1/16SS821J	R 531	(B,107,84)	RAB4CQ220J
R 308	(B,137,20)	RS1/16SS821J	R 532	(B,107,87)	RAB4CQ220J
R 310	(B,126,22)	RS1/16SS0R0J	R 533	(B,109,84)	RAB4CQ0R0J
R 313	(B,111,25)	RS1/16SS821J	R 534	(B,109,87)	RAB4CQ0R0J
R 314	(B,111,29)	RS1/16SS0R0J	R 535	(B,107,89)	RS1/16SS331J
R 317	(A,87,48)	RS1/16SS0R0J	R 536	(B,127,87)	RS1/16SS220J
R 319	(A,87,52)	RS1/16SS821J	R 537	(B,127,86)	RS1/16SS220J
R 454	(A,24,82)	RS1/16SS0R0J	R 538	(B,127,88)	RS1/16SS220J
R 455	(B,38,57)	RS1/16SS0R0J	R 540	(B,91,100)	RS1/16SS102J
R 456	(A,35,70)	RS1/16SS104J	R 541	(A,109,91)	RS1/16SS223J
R 457	(A,30,76)	RS1/16SS103J	R 542	(A,111,91)	RS1/16SS433J
R 458	(A,31,78)	RS1/16SS103J	R 543	(B,100,98)	RS1/16SS473J
R 467	(A,32,77)	RS1/16SS103J	R 544	(B,101,98)	RS1/16SS473J
R 468	(A,43,75)	RS1/16SS123J	R 545	(B,93,100)	RS1/16SS104J
R 469	(A,42,75)	RS1/16SS1202D	R 548	(B,110,94)	RS1/16SS681J
R 470	(A,38,80)	RS1/16SS101J	R 549	(B,104,99)	RS1/16SS102J
R 471	(A,30,75)	RS1/16SS104J	R 550	(B,101,104)	RS1/16SS103J
R 472	(A,38,71)	RS1/16SS104J	R 551	(B,99,102)	RS1/16SS102J
R 473	(A,40,73)	RS1/16SS104J	R 553	(B,106,99)	RS1/16SS0R0J
R 474	(A,43,81)	RS1/16SS104J	R 554	(B,108,98)	RS1/16SS0R0J
R 479	(A,40,82)	RS1/16SS821J	R 555	(B,106,97)	RS1/16SS0R0J
R 480	(A,35,81)	RS1/16SS102J	R 556	(B,108,99)	RS1/16SS0R0J
R 481	(A,33,80)	RS1/16SS103J	R 557	(B,125,88)	RS1/16SS0R0J
R 482	(A,24,85)	RS1/16SS103J	R 558	(B,125,86)	RS1/16SS0R0J
R 483	(A,26,86)	RS1/16SS682J	R 559	(B,125,87)	RS1/16SS0R0J
R 484	(A,25,84)	RS1/16SS472J	R 560	(B,111,92)	RS1/16SS105J
R 485	(A,35,83)	RS1/16SS153J	R 561	(B,124,96)	RS1/16SS0R0J
R 488	(A,37,85)	RS1/16SS473J	R 612	(B,107,81)	RS1/16SS333J

1

2

3

4

5		6		7		8	
<u>Circuit Symbol and No.</u>		<u>Part No.</u>		<u>Circuit Symbol and No.</u>		<u>Part No.</u>	
R 613	(B,117,61)	RS1/16SS471J		R 936	(A,144,59)	RAB4CQ680J	
R 614	(B,115,61)	RS1/16SS105J		R 937	(A,144,56)	RAB4CQ680J	
R 615	(B,116,56)	RS1/16SS152J		R 938	(A,136,53)	RAB4CQ680J	
R 616	(B,119,58)	RS1/16SS122J		R 939	(A,132,53)	RAB4CQ101J	A
R 617	(B,93,70)	RAB4CQ330J		R 940	(A,129,53)	RAB4CQ101J	
R 618	(B,93,68)	RAB4CQ330J		R 941	(B,141,64)	RAB4CQ103J	
R 619	(B,93,65)	RAB4CQ330J		R 942	(B,141,60)	RAB4CQ103J	
R 620	(B,93,62)	RAB4CQ330J		R 943	(B,133,56)	RAB4CQ103J	
R 621	(B,93,60)	RS1/16SS330J		R 945	(B,139,70)	RS1/16SS103J	
R 622	(B,92,59)	RS1/16SS330J		R 1001	(B,108,33)	RS1/16SS101J	
R 623	(B,96,54)	RAB4CQ330J		R 1003	(B,97,45)	RS1/16SS470J	
R 624	(A,107,50)	RS1/16SS1500D		R 1006	(B,98,45)	RS1/16SS470J	
R 625	(B,91,70)	RAB4CQ0R0J		R 1007	(B,110,45)	RS1/16SS0R0J	
R 626	(B,91,68)	RAB4CQ0R0J		R 1008	(B,111,47)	RS1/16SS0R0J	
R 627	(B,91,65)	RAB4CQ0R0J		R 1012	(B,113,45)	RS1/16SS0R0J	B
R 628	(B,91,62)	RAB4CQ0R0J		R 1013	(B,112,33)	RS1/10SR0R0J	
R 629	(B,90,60)	RS1/16SS0R0J		R 1015	(B,149,47)	RS1/16SS0R0J	
R 630	(B,88,59)	RS1/16SS0R0J		R 1016	(B,130,30)	RS1/16SS0R0J	
R 631	(B,94,54)	RAB4CQ0R0J		R 1017	(B,96,47)	RS1/16SS0R0J	
R 632	(B,94,52)	RS1/16SS0R0J		R 1028	(B,128,44)	RS1/16SS103J	
R 633	(B,108,77)	RS1/16SS103J		R 1029	(B,143,45)	RS1/16SS220J	
R 634	(B,93,59)	RS1/16SS680J		R 1030	(B,115,46)	RS1/16SS472J	
R 635	(B,90,59)	RS1/16SS0R0J		R 1031	(B,135,23)	RS1/16SS104J	
R 636	(B,96,52)	RS1/16SS331J		R 1032	(B,136,23)	RS1/16SS104J	
R 637	(B,109,77)	RS1/16SS0R0J		R 1033	(B,137,23)	RS1/16SS104J	
R 639	(A,92,70)	RS1/16SS0R0J		R 1034	(B,138,23)	RS1/16SS104J	C
R 640	(A,86,63)	RS1/16SS0R0J		R 1035	(B,126,31)	RS1/16SS101J	
R 643	(B,107,77)	RS1/16SS0R0J		R 1036	(B,133,30)	RS1/16SS0R0J	
R 644	(B,110,77)	RS1/16SS0R0J		R 1037	(B,96,45)	RS1/16SS470J	
R 645	(A,108,49)	RS1/16SS82R0D		R 1038	(B,130,44)	RS1/16SS0R0J	
R 653	(A,109,49)	RS1/16SS0R0J		R 1039	(B,134,48)	RS1/16SS221J	
R 713	(B,74,57)	RS1/16SS562J		R 1040	(B,134,50)	RS1/16SS221J	
R 748	(B,84,54)	RS1/16SS0R0J		R 1041	(B,136,47)	RS1/16SS0R0J	
R 750	(A,85,59)	RS1/16SS473J		R 1042	(B,137,47)	RS1/16SS221J	
R 752	(A,85,56)	RS1/16SS562J		R 1043	(B,138,45)	RS1/16SS220J	
R 753	(B,81,54)	RS1/16SS1000D		R 1044	(B,128,33)	RS1/16SS0R0J	D
R 818	(B,104,16)	RS1/10SR0R0J		R 1045	(B,129,33)	RS1/16SS0R0J	
R 820	(B,97,17)	RS1/8SQ0R0J		R 1046	(B,130,33)	RS1/16SS470J	
R 903	(B,139,56)	RAB4CQ103J		R 1047	(B,130,31)	RS1/16SS470J	
R 904	(B,130,56)	RAB4CQ103J		R 1048	(B,131,33)	RS1/16SS470J	
R 905	(B,136,56)	RAB4CQ103J		R 1049	(B,132,30)	RS1/16SS181J	
R 906	(A,126,82)	RS1/16SS472J		R 1050	(B,133,31)	RS1/16SS470J	
R 907	(A,125,82)	RS1/16SS472J		R 1051	(B,133,33)	RS1/16SS470J	
R 909	(B,130,69)	RS1/16SS0R0J		R 1052	(B,125,46)	RS1/16SS101J	
R 913	(A,119,52)	RS1/16SS472J		R 1053	(B,136,33)	RS1/16SS220J	
R 914	(A,132,85)	RAB4CQ472J		R 1054	(B,94,34)	RS1/16SS104J	
R 915	(B,140,71)	RS1/16SS472J		R 1055	(B,95,27)	RS1/16SS104J	E
R 916	(A,125,81)	RS1/16SS104J		R 1056	(B,100,48)	RS1/16SS681J	
R 917	(A,126,81)	RS1/16SS104J		R 1057	(B,101,49)	RS1/16SS681J	
R 921	(A,128,81)	RS1/16SS472J		R 1058	(B,101,48)	RS1/16SS681J	
R 922	(B,141,62)	RS1/16SS103J		R 1059	(B,102,49)	RS1/16SS681J	
R 927	(B,139,73)	RS1/16SS472J		R 1060	(B,103,48)	RS1/16SS681J	
R 928	(B,115,45)	RS1/16SS0R0J		R 1061	(B,103,49)	RS1/16SS681J	
R 929	(A,126,52)	RS1/16SS472J		R 1062	(B,104,48)	RS1/16SS681J	
R 930	(A,136,81)	RS1/16SS472J		R 1063	(B,105,49)	RS1/16SS681J	
R 931	(B,147,33)	RS1/16SS0R0J		R 1064	(B,106,48)	RS1/16SS681J	
R 932	(B,148,33)	RS1/16SS0R0J		R 1065	(B,106,49)	RS1/16SS681J	
R 933	(B,147,31)	RS1/16SS0R0J		R 1066	(B,107,48)	RS1/16SS681J	F
R 934	(B,146,33)	RS1/16SS471J		R 1067	(B,107,49)	RS1/16SS681J	
R 935	(A,144,62)	RAB4CQ680J		R 1068	(B,100,31)	RS1/16SS331J	

	1	2	3	4
	<u>Circuit Symbol and No.</u>	<u>Part No.</u>	<u>Circuit Symbol and No.</u>	<u>Part No.</u>
	R 1069 (B,101,28)	RS1/16SS181J	R 1230 (B,158,65)	RS1/16SS432J
	R 1070 (B,102,30)	RS1/16SS101J	R 1231 (B,158,60)	RS1/16SS4702D
	R 1071 (B,103,30)	RS1/16SS471J	R 1232 (B,154,59)	RS1/16SS1002D
A	R 1072 (B,104,28)	RS1/16SS471J	R 1233 (B,152,59)	RS1/16SS2202D
	R 1073 (B,104,30)	RS1/16SS471J	R 1234 (B,152,60)	RS1/16SS3302D
	R 1074 (B,105,28)	RS1/16SS471J	R 1235 (B,148,64)	RS1/16SS103J
	R 1075 (B,106,30)	RS1/16SS471J	R 1236 (B,148,63)	RS1/16SS102J
	R 1076 (B,106,28)	RS1/16SS471J	R 1237 (B,160,66)	RS1/16SS102J
	R 1077 (B,138,47)	RS1/16SS0R0J	R 1240 (B,150,67)	RS1/10SR0R0J
	R 1078 (B,143,47)	RS1/16SS0R0J	R 1301 (B,52,25)	RS1/16SS561J
	R 1079 (B,102,28)	RS1/16SS101J	R 1302 (B,52,23)	RS1/16SS561J
	R 1080 (B,136,31)	RS1/16SS0R0J	R 1303 (B,52,22)	RS1/16SS561J
	R 1081 (B,130,45)	RS1/16SS103J	R 1304 (B,46,38)	RS1/16SS330J
	R 1082 (B,115,48)	RS1/16SS104J	R 1305 (B,45,38)	RS1/16SS330J
B	R 1101 (A,131,47)	RS1/16SS0R0J	R 1306 (B,51,34)	RS1/16SS103J
	R 1102 (A,133,47)	RS1/16SS0R0J		
	R 1103 (A,131,48)	RS1/16SS0R0J	R 1307 (B,52,27)	RS1/16SS104J
	R 1104 (A,136,49)	RS1/16SS0R0J	R 1308 (B,53,34)	RS1/16SS103J
	R 1105 (A,135,50)	RS1/16SS0R0J	R 1309 (B,32,15)	RS1/10SR0R0J
	R 1106 (A,137,50)	RS1/16SS0R0J	R 1310 (B,33,23)	RS1/16SS473J
	R 1107 (A,138,42)	RS1/16SS680J	R 1311 (B,52,28)	RS1/16SS104J
	R 1108 (A,143,42)	RS1/16SS330J	R 1312 (B,41,13)	RS1/16SS0R0J
	R 1109 (A,145,42)	RS1/16SS330J	R 1313 (B,51,20)	RS1/16SS103J
	R 1110 (A,128,42)	RS1/16SS330J	R 1314 (B,41,12)	RS1/16SS473J
	R 1111 (A,129,42)	RS1/16SS330J	R 1401 (A,125,99)	RS1/16SS101J
C	R 1112 (A,141,43)	RS1/16SS330J	R 1403 (A,131,92)	RS1/16SS101J
	R 1113 (A,89,10)	RS1/16SS221J	R 1404 (B,131,99)	RS1/16SS101J
	R 1114 (A,115,35)	RS1/16SS330J	R 1405 (A,130,99)	RS1/16SS101J
	R 1115 (A,112,35)	RS1/16SS330J	R 1406 (B,133,108)	RS1/10SR75R0D
	R 1116 (A,110,35)	RS1/16SS330J	R 1407 (A,127,109)	RS1/10SR75R0D
	R 1117 (A,157,50)	RS1/10SR103J	R 1414 (A,133,92)	RS1/16SS0R0J
	R 1118 (A,157,47)	RS1/10SR331J	R 1415 (A,132,108)	RS1/10SR75R0D
	R 1119 (A,151,49)	RS1/16SS103J	R 1418 (A,67,100)	RS1/16SS0R0J
	R 1120 (A,155,43)	RS1/16SS103J	R 1420 (A,63,97)	RS1/16SS0R0J
	R 1121 (A,155,45)	RS1/16SS103J	R 1421 (A,64,96)	RS1/16SS3902D
	R 1122 (A,146,52)	RS1/16SS0R0J	R 1422 (A,66,97)	RS1/16SS1201D
D	R 1123 (A,98,35)	RS1/16SS330J	R 1423 (A,65,98)	RS1/16SS1002D
	R 1124 (A,96,35)	RS1/16SS330J	R 1427 (A,67,108)	RS1/16SS101J
	R 1125 (A,95,41)	RS1/16SS103J	R 1428 (A,68,108)	RS1/16SS0R0J
	R 1126 (A,94,35)	RS1/16SS330J	R 1429 (A,58,108)	RS1/16SS104J
	R 1128 (A,88,15)	RS1/16SS330J		
	R 1129 (A,143,52)	RS1/16SS103J	R 1431 (A,63,108)	RS1/16SS8201D
	R 1130 (A,144,42)	RS1/16SS103J	R 1432 (A,64,108)	RS1/16SS393J
	R 1131 (A,142,52)	RS1/16SS103J	R 1433 (A,71,105)	RS1/4SA151J
	R 1132 (A,146,42)	RS1/16SS103J	R 1434 (A,71,103)	RS1/4SA151J
	R 1133 (A,141,52)	RS1/16SS103J		
E	R 1134 (A,127,42)	RS1/16SS103J	R 1436 (B,71,92)	RS1/16SS102J
	R 1135 (A,130,42)	RS1/16SS103J	R 1437 (B,72,92)	RS1/16SS102J
	R 1136 (A,140,52)	RS1/16SS103J	R 1438 (B,73,92)	RS1/16SS102J
	R 1137 (A,141,42)	RS1/16SS103J	R 1439 (B,74,92)	RS1/16SS102J
	R 1138 (A,139,52)	RS1/16SS103J		
	R 1139 (A,139,42)	RS1/16SS103J	R 1440 (B,51,101)	RS1/4SA0R0J
	R 1142 (B,92,29)	RS1/8SQ0R0J	R 1441 (A,71,101)	RS1/4SA151J
	R 1208 (B,164,85)	RS1/16SS101J	R 1446 (B,128,106)	RS1/16SS0R0J
	R 1209 (B,164,77)	RS1/16SS0R0J	R 1447 (B,132,114)	RS1/16SS0R0J
	R 1210 (B,163,65)	RS1/16SS10R0D	R 1448 (B,130,106)	RS1/16SS0R0J
F	R 1211 (B,148,61)	RS1/16SS4702D	R 1449 (A,53,94)	RS1/16SS0R0J
	R 1227 (B,160,61)	RS1/16SS1501D	R 1501 (B,31,84)	RS1/16SS103J
	R 1228 (B,159,61)	RS1/16SS3302D	R 1502 (B,29,91)	RS1/16SS0R0J
	R 1229 (B,159,63)	RS1/16SS2402D		
			R 1503 (B,30,91)	RS1/16SS103J
			R 1504 (B,30,84)	RS1/16SS0R0J
			R 1505 (B,28,91)	RS1/16SS0R0J
			R 1507 (B,49,118)	RS1/10SR0R0J
			R 1508 (A,43,116)	RS1/10SR0R0J

5		6		7		8	
<u>Circuit Symbol and No.</u>		<u>Part No.</u>		<u>Circuit Symbol and No.</u>		<u>Part No.</u>	
R 1601	(A,23,96) (B)	RS1/16SS102J		C 217	(A,29,70)	CKSRYB105K10	
R 1602	(A,23,94) (B)	RS1/16SS102J		C 219	(A,29,67) 10 uF	CCG1234	
R 1603	(A,26,95) (B)	RS1/16SS104J		C 221	(A,27,62)	CKSSYB104K10	A
R 1604	(A,30,91) (B)	RS1/16SS103J		C 222	(A,41,70) 10 uF	CCG1234	
				C 301	(B,126,73)	CKSSYB104K10	
R 1701	(B,21,118) (A)	RS1/10SR102J		C 302	(B,127,71) 10 uF	CCG1192	
R 1704	(B,14,118) (A)	RS1/10SR102J		C 303	(B,132,77)	CKSSYB104K10	
R 1709	(B,17,103) (A)	RS1/16SS104J		C 304	(B,133,78) 10 uF	CCG1192	
R 1710	(B,8,109) (A)	RS1/16SS473J		C 306	(B,121,74)	CKSSYB182K50	
R 1711	(A,38,101) (A)	RS1/16SS103J		C 307	(B,132,74)	CKSSYB182K50	
R 1712	(A,35,99) (A)	RS1/4SA471J					
R 1713	(A,35,96) (A)	RS1/4SA471J		C 309	(B,117,79)	CKSSYB104K10	
R 1714	(A,41,106) (A)	RS1/16SS1003D		C 310	(B,140,20) 10 uF	CCG1192	
R 1715	(A,42,106) (A)	RS1/16SS1802D		C 312	(B,131,15) 10 uF	CCG1192	
R 1716	(B,17,113) (A)	RS1/16SS473J		C 313	(B,126,19)	CKSSYB182K50	B
				C 314	(B,137,19)	CKSSYB182K50	
R 1718	(B,18,104) (A)	RS1/16SS0R0J					
R 1721	(A,44,99) (A)	RS1/4SA0R0J		C 315	(B,131,17)	CKSSYB104K10	
R 1723	(B,21,100) (A)	RS1/16SS0R0J		C 316	(B,123,25) 10 uF	CCG1192	
R 1725	(A,48,107) (A)	RS1/16SS911J		C 317	(B,117,21) 10 uF	CCG1192	
R 1726	(B,30,118) (A)	RS1/16SS0R0J		C 319	(B,116,23)	CKSSYB104K10	
				C 320	(B,111,24)	CKSSYB182K50	
R 1727	(B,27,118) (A)	RS1/16SS0R0J					
R 1728	(B,24,118) (A)	RS1/16SS0R0J		C 321	(A,99,52) 10 uF	CCG1192	
R 1801	(B,83,89)	RS1/16SS102J		C 323	(A,93,56) 10 uF	CCG1192	
R 1802	(B,80,86)	RS1/16SS472J		C 324	(A,92,54)	CKSSYB104K10	
R 1803	(A,69,70)	RS1/16SS473J		C 325	(A,86,52)	CKSSYB182K50	
				C 326	(A,98,51)	CKSSYB104K10	C
R 1804	(B,74,83)	RS1/10SR0R0J					
R 1805	(B,74,81)	RS1/10SR0R0J		C 327	(B,122,26)	CKSSYB104K10	
R 1806	(B,82,84)	RS1/16SS472J		C 328	(B,138,20)	CKSSYB104K10	
R 1807	(B,86,84)	RS1/16SS471J		C 463	(A,31,76)	CKSSYB562K25	
R 1808	(A,81,72)	RS1/16SS221J		C 464	(A,32,79)	CKSSYB153K16	
				C 465	(A,41,79)	CKSRYB105K10	
R 1809	(A,81,73)	RS1/16SS221J					
R 1810	(A,83,77)	RS1/16SS221J		C 466	(A,41,75)	CKSSYB471K50	
R 1811	(A,82,77)	RS1/16SS221J		C 467	(A,32,75)	CKSSYB681K50	
R 1812	(A,81,77)	RS1/16SS221J		C 468	(A,41,77)	CKSSYB104K16	
R 1813	(A,68,72)	RS1/8SQ561J		C 469	(A,38,73)	CKSRYB105K10	
				C 470	(A,40,81)	CKSRYB105K10	
R 1814	(B,64,18) (C)	RS1/16SS0R0J					D
R 1815	(B,64,16) (B)	RS1/16SS0R0J		C 471	(A,29,81)	CKSSYB104K16	
R 1816	(B,64,14) (A)	RS1/16SS0R0J		C 472	(A,33,81)	CKSSYB103K16	
				C 473	(A,25,87)	CKSRYB105K10	
				C 474	(A,24,86)	CKSSYB102K50	
				C 475	(A,24,84)	CKSSYB102K50	
<u>CAPACITORS</u>							
C 1	(A,83,33)	CKSSYB103K16					
C 2	(B,31,76) 10 uF	CCG1234		C 476	(A,36,83)	CCSSCH101J50	
C 3	(B,30,76) 10 uF	CCG1234		C 477	(A,36,85)	CKSRYB105K10	
C 4	(B,30,78) 10 uF	CCG1234		C 478	(A,41,83)	CKSRYB105K10	
C 5	(B,72,111)	XCEVW101M16		C 479	(A,40,85)	CKSRYB105K10	
				C 480	(A,41,87)	CKSRYB105K10	
C 6	(B,78,121)	CKSYB105K35					
C 7	(B,75,117)	CKSSYB103K16		C 501	(A,114,89)	CKSSYB104K10	E
C 114	(A,5,114) 22 uF	DCH1256		C 502	(A,116,91)	CKSSYB104K10	
C 201	(A,37,69) 10 uF	CCG1234		C 503	(A,118,91)	CKSSYB104K10	
C 203	(B,32,56)	CKSSYB104K10		C 504	(A,119,90)	CKSSYB104K10	
				C 505	(A,115,87)	CKSSYB104K10	
C 204	(A,35,68)	CKSRYB105K10					
C 205	(A,27,59)	CCSSCH101J50		C 506	(A,118,86)	CKSSYB104K10	
C 206	(A,40,67)	CKSSYB104K10		C 507	(A,119,88)	CKSSYB104K10	
C 207	(A,32,51)	CKSSYB104K10		C 508	(B,129,89)	CCSSCH470J50	
C 208	(A,30,67)	CKSSYB104K10		C 509	(B,127,91)	CCSSCH470J50	
				C 510	(B,127,92)	CCSSCH470J50	
C 209	(A,38,68)	CKSSYB104K10					
C 210	(A,45,61)	CCSSCH100D50		C 511	(B,127,93)	CCSSCH470J50	F
C 211	(A,43,64)	CCSSCH100D50		C 512	(A,112,95) 10 uF	CCG1234	
C 212	(A,38,67)	CCSSCH151J50		C 519	(B,95,97) 4.7 uF	CCG1212	
C 214	(A,32,70)	CKSRYB105K10		C 520	(B,98,91) 4.7 uF	CCG1212	
				C 521	(B,95,100) 4.7 uF	CCG1212	

	1	2	3	4
	<u>Circuit Symbol and No.</u>	<u>Part No.</u>	<u>Circuit Symbol and No.</u>	<u>Part No.</u>
A	C 522 (B,110,92)	CCSSCH120J50	C 679 (A,104,69)	CKSSYB103K16
	C 523 (B,110,95)	CCSSCH120J50	C 680 (A,98,59) 47 uF	CCG1251
	C 524 (B,112,95)	CKSSYB104K10	C 683 (B,112,53) 0.47 uF	CCG1339
	C 526 (B,95,109) 4.7 uF	CCG1201	C 685 (A,77,66)	CKSRYB105K10
	C 601 (A,107,64)	CKSSYB103K16	C 686 (A,87,66) 4.7 uF	CCG1212
■	C 602 (A,96,68) 47 uF	CCG1251	C 688 (A,89,62)	CKSSYB104K10
	C 603 (A,107,74)	CKSSYB104K16	C 689 (A,92,60)	CKSRYB105K10
	C 604 (A,103,74)	CKSSYB104K16	C 691 (A,113,55)	CCSSCH820J50
	C 605 (A,103,73)	CKSSYB103K16	C 692 (A,114,55)	CCSRCH820J50
	C 606 (A,105,74)	CKSSYB104K16	C 693 (A,112,52)	CCSSCH820J50
B	C 607 (A,105,73)	CKSSYB103K16	C 709 (A,82,56)	CKSSYB103K16
	C 608 (B,110,79)	CKSSYB104K16	C 710 (B,79,53)	CKSSYB104K10
	C 609 (A,107,65)	CKSSYB104K16	C 711 (A,83,56)	CKSSYB104K10
	C 610 (A,102,76) 10 uF	CCG1234	C 713 (A,76,55)	CKSSYB103K16
	C 611 (A,109,59)	CKSSYB103K16	C 714 (B,80,52)	CKSSYB104K10
■	C 613 (B,117,62)	CCSSCH120J50	C 715 (A,80,58)	CKSSYB103K16
	C 615 (B,119,61)	CCSSCH120J50	C 716 (A,80,57)	CKSSYB104K10
	C 617 (A,112,58) 47 uF	CCG1251	C 717 (B,79,54)	CKSSYB103K16
	C 618 (A,109,58)	CKSSYB104K16	C 718 (B,81,52)	CKSSYB104K10
	C 620 (B,117,59)	CCSRCH181J50	C 719 (A,74,55) 10 uF	CCG1234
C	C 631 (A,95,62) 47 uF	CCG1251	C 901 (B,119,66)	CKSSYB104K10
	C 633 (B,117,57)	CKSSYB103K16	C 902 (A,120,80)	CKSSYB104K10
	C 638 (B,117,53)	CKSSYB104K10	C 903 (A,120,55)	CKSSYB104K10
	C 640 (B,120,57)	CKSSYB104K10	C 904 (A,139,80)	CKSSYB104K10
	C 641 (B,118,53)	CCSSCH8R0D50	C 905 (B,141,58)	CKSSYB104K10
■	C 642 (A,107,73)	CKSSYB103K16	C 906 (A,142,68)	CKSSYB104K10
	C 643 (A,98,63)	CKSSYB103K16	C 909 (A,136,84)	CKSRYB104K50
	C 644 (A,97,63)	CKSSYB104K16	C 910 (A,139,81) 1 uF	DCH1246
	C 645 (A,100,68)	CKSSYB104K16	C 911 (A,143,68) 1 uF	DCH1246
	C 646 (A,101,68)	CKSSYB103K16	C 912 (B,142,58) 1 uF	DCH1246
D	C 647 (A,109,71)	CKSSYB103K16	C 913 (A,120,54) 1 uF	DCH1246
	C 648 (A,109,70)	CKSSYB104K16	C 914 (B,119,67) 1 uF	DCH1246
	C 649 (A,111,65)	CKSSYB103K16	C 915 (A,120,81) 1 uF	DCH1246
	C 650 (A,112,65)	CKSSYB104K16	C 1001 (B,94,46)	CCSSCH471J50
	C 653 (A,97,66)	CKSSYB104K16	C 1002 (B,94,44) 10 uF	CCG1234
■	C 654 (A,98,66)	CKSSYB103K16	C 1005 (B,91,44) 10 uF	CCG1234
	C 655 (A,111,68)	CKSSYB103K16	C 1008 (B,91,46)	CCSSCH471J50
	C 656 (A,112,68)	CKSSYB104K16	C 1009 (B,114,47)	CKSSYB104K16
	C 657 (A,99,72)	CKSSYB103K16	C 1101 (A,106,35) 10 uF	CCG1234
	C 658 (A,99,73)	CKSSYB104K16	C 1102 (A,86,14)	CKSSYB104K10
■	C 659 (A,105,69)	CKSSYB104K16	C 1103 (A,94,36)	CKSSYB104K10
	C 660 (A,101,74)	CKSSYB104K16	C 1104 (A,152,49)	CKSSYB104K10
	C 661 (A,101,73)	CKSSYB103K16	C 1106 (A,136,43)	CKSRYB105K10
	C 662 (A,104,61)	CKSSYB103K16	C 1107 (A,106,33)	CKSSYB104K10
	C 663 (A,103,61)	CKSSYB104K16	C 1108 (A,136,42)	CKSSYB104K10
E	C 664 (A,110,53) 0.47 uF	CCG1339	C 1205 (B,154,68)	CKSSYB102K50
	C 665 (A,110,54) 0.47 uF	CCG1339	C 1209 (B,155,67)	CKSSYB104K10
	C 666 (A,110,55) 0.47 uF	CCG1339	C 1210 (B,154,67)	CKSSYB103K16
	C 667 (A,102,57)	CKSSYB104K10	C 1211 (B,158,63)	CCSSCH101J50
	C 668 (A,104,57)	CKSSYB104K10		
■	C 669 (B,109,55)	CKSSYB104K10	C 1212 (B,152,65)	CKSSYB104K10
	C 670 (A,105,57)	CKSSYB104K10	C 1213 (B,159,60)	CKSSYB104K10
	C 671 (A,103,57)	CKSSYB104K10	C 1214 (B,158,67)	CKSSYB103K16
	C 672 (A,106,57)	CKSSYB104K10	C 1216 (B,148,72)	CKSSYB102K50
	C 673 (B,110,53)	CKSSYB104K10	C 1302 (B,41,38)	CKSSYB102K50
F	C 674 (B,113,55)	CKSSYB104K10	C 1303 (B,40,39) 10 uF	CCG1234
	C 675 (B,112,55)	CKSSYB104K10	C 1401 (B,132,94) 10 uF	CCG1192
	C 676 (B,111,55)	CKSSYB104K10	C 1402 (A,132,97)	CKSSYB104K10
	C 677 (B,111,53)	CKSSYB104K10	C 1404 (A,128,103)	CKSRYB105K10
	C 678 (B,114,53)	CKSSYB104K10	C 1405 (A,127,97)	CKSSYB104K10

5		6		7		8	
<u>Circuit Symbol and No.</u>		<u>Part No.</u>		<u>Circuit Symbol and No.</u>		<u>Part No.</u>	
C 1406	(A,131,103)	CKSRYB105K10		Q 1101	(B,13,59) Transistor	LSCR523UB	
C 1407	(B,128,97)	CKSSYB104K10		Q 1102	(B,13,56) Transistor	LSCR523UB	
C 1408	(A,133,103)	CKSRYB105K10		Q 1103	(B,10,63) Transistor	2SB1132	
C 1409	(A,126,103)	CKSRYB105K10		Q 1104	(B,22,54) Transistor	2SB1132	
C 1410	(B,130,103)	CKSRYB105K10		L 1501	(A,54,31) Inductor	CTF1743	A
C 1411	(B,128,103)	CKSRYB105K10		L 1511	(A,48,17) Chip Beads	VTL1126	
C 1413	(A,64,97)	CKSSYB331K50		L 1902	(A,17,17) Inductor	CTF1487	
C 1414	(B,63,95) 47 uF	CCG1251		L 1903	(B,63,16) Inductor	CTF1558	
C 1415	(A,67,104) 47 uF	CCG1251		L 1904	(A,68,18) Ferrite Bead	CTF1528	
C 1416	(A,62,108)	CKSSYB104K10		X 1501	(B,48,18) Oscillator 27.000 MHz	CSS1823	
C 1417	(A,59,96)	CKSRYB104K50		F 1001	(A,14,19) Chip EMI Filter	DTF1106	
C 1419	(B,146,119)	CKSSYB104K10		F 1002	(B,63,18) Chip EMI Filter	DTL1106	
C 1420	(A,54,106)	CKSYB225K25		S 1	(A,47,55) Spring Switch(HOME)	CSN1080	
C 1421	(A,60,108)	CKSSYB103K16		S 3	(B,25,13) Spring Switch(12EJ)	CSN1081	
C 1422	(A,55,100)	CKSSYB103K16		VR1101	(A,7,63) Semi-fixed 6.8 kohm(B)	CCP1447	B
C 1423	(B,62,102) 47 uF	CCG1251		VR1102	(A,7,60) Semi-fixed 15 kohm(B)	CCP1449	
C 1424	(B,56,95)	XCEVW100M16		CN1101	(A,21,63) Connector	CKS6331	
C 1425	(A,55,95) 10 uF	CCG1236		CN1952	(A,42,11) Connector	CKS6025	
C 1427	(B,61,93) 22 uF	CCG1254					
C 1428	(A,127,105)	CCSRCH560J50					

RESISTORS

C 1430	(A,132,105)	CCSRCH560J50		R 1004	(B,12,20)	RS1/16SS4702D	
C 1432	(B,133,106)	CCSRCH560J50		R 1007	(B,12,21)	RS1/16SS6801D	
C 1435	(B,144,113)	CKSSYB104K10		R 1019	(B,34,7)	RS1/16SS101J	
C 1436	(B,144,114)	CKSSYB103K16		R 1025	(B,36,6)	RS1/16SS101J	
C 1501	(B,38,116)	CKSSYB104K10		R 1027	(A,40,18)	RS1/16SS101J	C
C 1502	(B,36,85)	CKSSYB104K10		R 1101	(B,15,57)	RS1/16SS104J	
C 1503	(B,37,95)	CKSSYB103K16		R 1102	(B,10,56)	RS1/16SS104J	
C 1504	(B,28,88)	CKSSYB104K10		R 1103	(B,14,61)	RS1/16SS4300F	
C 1505	(B,35,99)	XCEVW101M16		R 1104	(B,11,59)	RS1/16SS5100F	
C 1601	(A,26,93) (B)	CKSSYB104K10		R 1105	(B,17,54)	RS1/16SS4300F	
C 1602	(A,26,99) (B)	CKSSYB104K10		R 1106	(B,10,57)	RS1/16SS5600F	
C 1701	(B,12,109) (A)	CKSSYB104K10		R 1109	(B,6,57)	RS1/16SS3R3J	
C 1702	(B,18,109) (A)	CKSSYB104K10		R 1110	(B,16,54)	RS1/16SS3R3J	
C 1703	(B,17,99) (A)	CKSSYB104K10		R 1111	(B,6,63)	RS1/10SR3R3J	
C 1706	(A,35,117) (A)	CKSRYB104K50		R 1112	(B,5,58)	RS1/10SR3R3J	
C 1707	(A,35,116) (A)	CKSRYB103K50		R 1113	(B,15,59)	RS1/10SR3R9J	D
C 1708	(A,46,107) (A)	CKSSYB104K16		R 1114	(B,19,57)	RS1/10SR3R3J	
C 1709	(B,19,118) (A)	CKSSYB103K16		R 1115	(B,6,61)	RS1/10SR2R7J	
C 1710	(B,20,118) (A)	CKSSYB104K16		R 1116	(B,6,62)	RS1/10SR2R7J	
C 1801	(A,92,78)	CKSRYB104K50		R 1117	(B,17,59)	RS1/10SR3R9J	
C 1802	(A,87,78)	CKSSYB104K10		R 1118	(B,16,59)	RS1/10SR3R9J	
C 1807	(B,61,66) 10 uF	DCH1165		R 1223	(A,42,50)	RS1/16SS561J	
				R 1225	(B,29,8)	RS1/16SS471J	
				R 1251	(A,5,48)	RS1/16SS333J	
				R 1252	(A,5,47)	RS1/16SS473J	
				R 1253	(A,5,46)	RS1/16SS333J	
				R 1254	(A,5,45)	RS1/16SS473J	E
				R 1255	(A,21,48)	RS1/16SS183J	
				R 1256	(A,21,46)	RS1/16SS752J	
				R 1257	(B,8,37)	RS1/16SS221J	
				R 1258	(A,19,39)	RS1/16SS221J	
				R 1401	(B,34,28)	RS1/16SS221J	
				R 1402	(B,34,47)	RS1/16SS104J	
				R 1405	(B,55,35)	RS1/16SS104J	
				R 1406	(B,39,45)	RS1/16SS472J	
				R 1480	(A,72,24)	RAB4CQ560J	
				R 1481	(A,72,28)	RAB4CQ560J	F
				R 1482	(A,72,32)	RAB4CQ560J	
				R 1483	(A,72,35)	RAB4CQ560J	
				R 1484	(A,72,39)	RAB4CQ560J	

C
Unit Number : YWX5033
Unit Name : DVD Core Unit

MISCELLANEOUS

IC 1002	(B,15,13) Regulator IC	S-1133B50-U5		R 1258	(A,19,39)	RS1/16SS221J	
IC 1003	(B,37,11) IC	S-1200B50-M5		R 1401	(B,34,28)	RS1/16SS221J	
IC 1004	(B,64,28) IC	NJM2855DL1-33		R 1402	(B,34,47)	RS1/16SS104J	
IC 1251	(A,12,42) IC	BA5839FP		R 1405	(B,55,35)	RS1/16SS104J	
IC 1401	(B,27,41) Flash ROM Unit	CWW5043		R 1406	(B,39,45)	RS1/16SS472J	
IC 1402	(B,45,28) Flash ROM Unit	CWW5044		R 1480	(A,72,24)	RAB4CQ560J	
IC 1480	(A,64,30) RAM IC	M12L64164A-5TG2Y		R 1481	(A,72,28)	RAB4CQ560J	
IC 1501	(A,39,33) IC	MN2DS0018MA		R 1482	(A,72,32)	RAB4CQ560J	
IC 1801	(B,34,16) D/A Converter	PCM1753DBQ		R 1483	(A,72,35)	RAB4CQ560J	
IC 1953	(B,57,17) IC	S-1135D12-A6		R 1484	(A,72,39)	RAB4CQ560J	

	1	2	3	4
	<u>Circuit Symbol and No.</u>	<u>Part No.</u>	<u>Circuit Symbol and No.</u>	<u>Part No.</u>
	R 1485 (A,55,22)	RAB4CQ560J		
	R 1486 (A,55,28)	RAB4CQ560J		
A	R 1487 (A,56,37)	RAB4CQ560J		
	R 1488 (A,55,40)	RAB4CQ560J		
	R 1489 (A,54,30)	RS1/16SS560J		
	R 1490 (A,72,21)	RS1/16SS560J		
	R 1501 (B,48,21)	RS1/16SS122J		
	R 1503 (B,46,21)	RS1/16SS105J		
	R 1504 (A,50,17)	RS1/16SS121J		
	R 1505 (B,45,15)	RS1/16SS101J		
	R 1506 (B,45,14)	RS1/16SS101J		
	R 1507 (B,43,17)	RS1/16SS101J		
	R 1508 (B,42,18)	RS1/16SS221J		
B	R 1509 (A,20,34)	RS1/16SS102J		
	R 1510 (A,11,29)	RS1/16SS102J		
	R 1512 (A,55,32)	RS1/16SS470J		
	R 1513 (A,23,38)	RS1/16SS103J		
	R 1514 (A,24,40)	RS1/16SS183J		
	R 1516 (A,24,36)	RS1/16SS104J		
	R 1517 (B,57,22)	RS1/16SS103J		
	R 1518 (B,33,31)	RS1/16SS103J		
	R 1519 (A,24,43)	RS1/16SS102J		
	R 1522 (A,21,37)	RS1/16SS104J		
	R 1523 (A,22,37)	RS1/16SS221J		
C	R 1524 (B,29,33)	RS1/16SS472J		
	R 1525 (A,24,44)	RS1/16SS103J		
	R 1526 (A,22,40)	RS1/16SS103J		
	R 1527 (A,35,49)	RS1/16SS682J		
	R 1528 (B,19,34)	RS1/16SS103J		
	R 1529 (B,35,21)	RS1/16SS103J		
	R 1530 (B,17,34)	RS1/16SS103J		
	R 1531 (B,33,30)	RS1/16SS103J		
	R 1532 (A,24,42)	RS1/16SS101J		
	R 1533 (A,29,47)	RS1/16SS104J		
	R 1534 (B,29,48)	RS1/16SS221J		
D	R 1535 (A,22,44)	RS1/16SS104J		
	R 1536 (B,32,48)	RS1/16SS104J		
	R 1537 (A,24,46)	RS1/16SS104J		
	R 1538 (A,55,35)	RS1/16SS104J		
	R 1539 (B,33,48)	RS1/16SS104J		
	R 1540 (A,26,46)	RS1/16SS221J		
	R 1541 (A,26,45)	RS1/16SS221J		
	R 1542 (B,26,34)	RS1/16SS103J		
	R 1546 (A,33,49)	RS1/16SS682J		
	R 1601 (A,32,17)	RS1/16SS123J		
E	R 1602 (A,32,18)	RS1/16SS123J		
	R 1603 (B,31,21)	RS1/16SS1002D		
	R 1604 (A,23,21)	RS1/16SS105J		
	R 1605 (A,22,23)	RS1/16SS105J		
	R 1670 (B,40,21)	RS1/16SS1002D		
	R 1671 (B,42,19)	RS1/16SS2402D		
	R 1672 (A,39,18)	RS1/16SS2000D		
	R 1674 (A,36,17)	RS1/16SS3002D		
	R 1801 (B,41,8)	RS1/16SS104J		
	R 1802 (B,43,8)	RS1/16SS104J		
F	R 1803 (B,37,13)	RS1/16SS821J		
	R 1804 (B,39,14)	RS1/16SS821J		
	R 1982 (A,10,62)	RS1/16SS822J		
	R 1983 (B,40,20)	RS1/16SS1000D		
	R 1987 (B,43,21)	RS1/16SS0R0J		
			CAPACITORS	
			C 1001 (B,34,10)	CKSRYB105K10
			C 1002 (B,12,17)	CKSSYB104K16
			C 1003 (B,15,19)	CKSSYB104K16
			C 1004 (B,15,17) 4.7 uF	CCG1201
			C 1005 (B,40,11)	CKSRYB105K16
			C 1010 (B,60,23)	CKSQYB225K10
			C 1011 (B,64,22)	CKSRYB105K10
			C 1015 (A,25,7)	CKSSYB102K50
			C 1016 (B,64,15)	CKSSYB102K50
			C 1018 (B,14,21)	CKSSYB104K10
			C 1040 (B,51,7)	CCSRCH821J50
			C 1041 (B,19,11)	CCSRCH271J50
			C 1101 (B,14,53) 10 uF	CCG1192
			C 1104 (B,7,57)	CKSSYB104K10
			C 1105 (B,18,54)	CKSSYB104K10
			C 1106 (B,8,66)	CKSSYB103K16
			C 1107 (B,25,53)	CKSSYB103K16
			C 1108 (A,19,57)	CKSSYB103K16
			C 1109 (A,7,57)	CKSRYB224K16
			C 1110 (A,17,58)	CKSSYB103K16
			C 1111 (A,9,66)	CKSRYB224K16
			C 1112 (B,17,52) 22 uF	DCH1256
			C 1113 (B,8,58) 22 uF	DCH1256
			C 1210 (B,77,34)	CKSSYB104K16
			C 1251 (B,12,41)	CEVW101M16
			C 1252 (B,7,41) 4.7 uF	CCG1222
			C 1253 (B,7,39)	CKSSYB104K16
			C 1254 (A,6,38)	CKSSYB104K16
			C 1255 (A,18,37)	CKSSYB104K16
			C 1401 (B,34,27)	CKSSYB104K16
			C 1403 (B,39,40)	CKSSYB104K10
			C 1404 (B,40,40) 4.7 uF	CCG1201
			C 1408 (B,57,27)	CKSSYB104K10
			C 1409 (B,58,29) 4.7 uF	CCG1201
			C 1410 (B,33,29)	CKSSYB104K16
			C 1480 (A,71,19)	CKSSYB104K10
			C 1481 (A,72,22)	CKSSYB104K10
			C 1482 (A,72,26)	CKSSYB104K10
			C 1484 (A,72,30)	CKSSYB104K10
			C 1485 (A,72,41)	CKSSYB104K10
			C 1487 (A,57,29)	CKSSYB104K10
			C 1488 (A,57,25)	CKSSYB104K10
			C 1489 (A,64,17) 10 uF	CCG1192
			C 1490 (A,66,18)	CKSSYB102K50
			C 1501 (B,61,20) 10 uF	CCG1192
			C 1502 (B,54,20) 10 uF	CCG1192
			C 1503 (A,54,33)	CKSSYB104K10
			C 1504 (A,53,24)	CKSSYB104K10
			C 1505 (A,53,27)	CKSSYB104K10
			C 1506 (B,52,35)	CKSSYB104K10
			C 1507 (A,53,36)	CKSSYB104K10
			C 1508 (A,53,39)	CKSSYB104K10
			C 1509 (A,53,42)	CKSSYB104K10
			C 1510 (B,51,18)	CCSSCH100D50
			C 1511 (A,48,18)	CKSSYB104K10
			C 1512 (B,45,18)	CCSSCH100D50

5		6		7		8	
<u>Circuit Symbol and No.</u>		<u>Part No.</u>		<u>Circuit Symbol and No.</u>		<u>Part No.</u>	
C 1513	(A,48,48)	CKSSYB104K10		IC 4001	(B,104,62) IC	NJU6062V	
C 1514	(B,45,21)	CKSSYB104K10		IC 4002	(A,115,28) IC	AK4188VN	
C 1515	(A,45,18)	CKSSYB104K10		IC 4101	(A,114,46) IC	OZ5271LN	
C 1516	(A,43,48)	CKSSYB104K10		IC 4201	(A,96,20) IC	R1290K103A	A
				IC 4301	(B,30,53) IC	DS90C124QVS	
C 1517	(A,42,48)	CKSSYB104K10					
C 1518	(A,38,48)	CKSSYB104K10		Q 4001	(A,15,43) Transistor	LSAR523UB	
C 1519	(A,34,47)	CKSSYB104K10		Q 4201	(A,99,29) Transistor	2SA1577	
C 1520	(A,27,47)	CKSSYB104K10		Q 4202	(A,103,13) Transistor	LTC024EEB	
C 1521	(A,24,34)	CKSSYB104K10		D 4101	(A,113,54) Diode	RB162M-40	
				D 4201	(B,104,19) Diode	DB3S308F0	
C 1522	(A,25,38)	CKSSYB104K10					
C 1523	(A,20,46)	CKSSYB224K6R3		D 4202	(B,100,29) Diode	DB3S308F0	
C 1524	(A,20,48)	CKSSYB473K16		D 4203	(B,100,26) Diode	DB3S308F0	
C 1526	(A,24,37)	CKSSYB103K16		D 4204	(A,87,26) Diode	RB162M-40	
C 1528	(B,30,48)	CCSSCH471J50		L 4004	(B,39,35) Inductor	CTF1635	
				L 4005	(B,26,34) Inductor	DTL1096	B
C 1601	(A,32,19)	CKSSYB103K16					
C 1602	(A,34,17)	CCSSCH101J50		L 4006	(B,18,32) Inductor	DTL1096	
C 1603	(A,33,18)	CCSSCH101J50		L 4007	(B,18,39) Chip Ferrite Bead	BTX1042	
C 1604	(A,30,17)	CCSSCH680J50		L 4102	(A,108,53) Inductor	ATH7068	
C 1605	(A,30,18)	CCSSCH680J50		L 4201	(A,94,26) Choke Coil 22 uH	CTH1426	
				L 4302	(B,22,67) Chip Ferrite Bead	BTX1047	
C 1606	(A,35,19)	CKSSYB104K10					
C 1607	(A,20,24) 10 uF	CCG1192		L 4303	(B,34,61) Ferrite Bead	CTF1528	
C 1608	(A,28,18) 4.7 uF	CCG1201		L 4304	(B,25,59) Ferrite Bead	CTF1528	
C 1609	(A,26,22)	CKSSYB104K10		L 4305	(B,21,55) Inductor	CTF1734	
C 1612	(A,24,24)	CKSSYB104K10		L 4306	(B,21,54) Inductor	CTF1734	
				L 4307	(B,21,53) Inductor	CTF1734	
C 1613	(A,24,25)	CKSSYB104K10					
C 1614	(A,22,24)	CKSSYB104K10		L 4308	(B,21,51) Inductor	CTF1734	C
C 1615	(A,23,26)	CKSSYB104K10		L 4309	(B,21,48) Inductor	CTF1734	
C 1616	(A,24,27)	CKSSYB104K10		L 4310	(B,22,48) Inductor	CTF1734	
C 1617	(B,27,28)	CKSSYB104K10		L 4311	(B,23,47) Inductor	CTF1734	
				L 4312	(B,24,46) Inductor	CTF1734	
C 1618	(A,22,29)	CCSSCH101J50					
C 1619	(A,23,30)	CKSSYB562K25		L 4313	(B,25,44) Inductor	CTF1734	
C 1620	(B,27,30)	CKSSYB224K6R3		L 4314	(B,26,43) Inductor	CTF1734	
C 1621	(A,22,31)	CKSSYB224K6R3		L 4315	(B,28,44) Inductor	CTF1734	
C 1622	(A,24,31)	CKSSYB333K16		L 4316	(B,30,44) Chip Beads	VTL1126	
				L 4317	(B,32,44) Inductor	CTF1734	
C 1623	(A,27,20)	CKSRYB105K10					
C 1624	(A,24,32)	CKSSYB104K10		L 4318	(B,34,44) Inductor	CTF1734	D
C 1625	(A,24,29)	CKSSYB104K10		L 4319	(B,35,45) Inductor	CTF1734	
C 1671	(A,41,18)	CKSSYB104K10		L 4320	(B,37,47) Inductor	CTF1734	
C 1673	(A,37,19)	CKSSYB104K10		L 4321	(B,37,48) Inductor	CTF1734	
				L 4322	(B,38,49) Inductor	CTF1734	
C 1674	(B,42,20)	CKSSYB104K10					
C 1676	(B,38,21)	CKSRYB105K10		L 4323	(B,39,50) Inductor	CTF1734	
C 1801	(B,42,10) 4.7 uF	CCG1201		L 4324	(B,38,52) Inductor	CTF1734	
C 1802	(B,46,10) 4.7 uF	CCG1201		L 4325	(B,39,53) Inductor	CTF1734	
C 1803	(B,42,12)	CCSRCH182J50		L 4326	(B,38,54) Inductor	CTF1734	
				L 4327	(B,39,55) Inductor	CTF1734	
C 1804	(B,45,12)	CCSRCH182J50					
C 1805	(B,34,13)	CKSSYB104K10		L 4328	(B,38,56) Inductor	CTF1734	
C 1806	(B,32,13) 10 uF	CCG1192		TH4001	(A,110,7) Thermistor	CCX1084	E
C 1809	(B,39,16)	CKSSYB104K10		CN4001	(A,133,8) Connector	CKS6524	
C 1953	(B,60,17)	CKSRYB105K10		CN4002	(A,62,69) Connector	CKS6535	
				CN4004	(A,123,17) Connector	CKS6548	
C 1954	(B,54,17)	CKSRYB105K10					
C 1955	(B,77,40)	CKSSYB104K16		CN4005	(A,129,56) Connector	CKS6523	
				CN4006	(A,35,31) Connector	CKS6536	

RESISTORS

R 4001	(B,52,75)	RS1/16SS0R0J
R 4002	(B,54,76)	RS1/16SS0R0J
R 4003	(B,52,77)	RS1/16SS0R0J
R 4004	(B,53,78)	RS1/16SS0R0J
R 4005	(B,56,75)	RS1/16SS0R0J

D
Unit Number : CWN7383
Unit Name : Monitor Unit

MISCELLANEOUS

1

2

3

4

Circuit Symbol and No.**Part No.****Circuit Symbol and No.****Part No.**

R 4006	(B,56,80)	RS1/16SS0R0J	R 4074	(B,54,49)	RS1/16SS2R4J
R 4007	(B,52,73)	RS1/16SS0R0J	R 4075	(B,27,37)	RS1/16SS473J
R 4008	(B,58,74)	RS1/16SS0R0J	R 4076	(A,27,37)	RS1/10SR473J
R 4009	(B,54,79)	RS1/16SS0R0J	R 4077	(A,27,38)	RS1/10SR473J
R 4010	(B,60,79)	RS1/16SS0R0J	R 4078	(A,104,39)	RS1/16SS221J
R 4011	(B,56,78)	RS1/16SS0R0J	R 4079	(A,102,40)	RS1/16SS221J
R 4012	(B,66,75)	RS1/16SS0R0J	R 4102	(A,108,45)	RS1/16SS0R0J
R 4013	(A,104,38)	RS1/16SS0R0J	R 4103	(B,114,48)	RS1/16SS104J
R 4014	(A,102,39)	RS1/16SS0R0J	R 4104	(B,110,46)	RS1/16SS104J
R 4015	(A,102,38)	RS1/16SS0R0J	R 4105	(B,111,48)	RS1/16SS102J
R 4016	(B,98,71)	RS1/16SS0R0J	R 4108	(A,111,41)	RS1/16SS563J
R 4017	(B,98,70)	RS1/16SS0R0J	R 4109	(A,115,42)	RS1/16SS104J
R 4018	(B,100,69)	RS1/16SS0R0J	R 4110	(A,116,42)	RS1/16SS101J
R 4019	(B,110,64)	RS1/10SR121J	R 4111	(A,116,50)	RS1/16SS102J
R 4020	(B,110,62)	RS1/10SR101J	R 4112	(B,117,48)	RS1/16SS3002D
R 4021	(B,110,61)	RS1/10SR271J	R 4113	(B,117,46)	RS1/16SS1001D
R 4025	(A,12,44)	RS1/16SS472J	R 4114	(A,120,48)	RS1/16SS0R0J
R 4026	(B,99,59)	RS1/16SS473J	R 4115	(A,120,47)	RS1/16SS0R0J
R 4027	(B,97,60)	RS1/16SS471J	R 4116	(A,120,46)	RS1/16SS0R0J
R 4028	(B,95,67)	RS1/10SR0R0J	R 4117	(A,119,43)	RS1/16SS0R0J
R 4030	(A,12,41)	RS1/16SS105J	R 4118	(B,119,50)	RS1/16SS1004D
R 4032	(A,17,43)	RS1/16SS682J	R 4119	(B,118,50)	RS1/16SS0R0J
R 4033	(A,17,41)	RS1/16SS0R0J	R 4120	(B,118,47)	RS1/16SS6802D
R 4034	(A,112,9)	RS1/16SS183J	R 4121	(A,121,57)	RS1/10SR0R0J
R 4035	(A,112,8)	RS1/16SS0R0J	R 4201	(A,91,18)	RS1/16SS103J
R 4037	(A,20,39)	RS1/16SS101J	R 4202	(B,101,17)	RS1/16SS9102D
R 4038	(A,106,27)	RS1/10SR0R0J	R 4203	(B,99,17)	RS1/16SS1802D
R 4039	(B,14,40)	RS1/10SR0R0J	R 4204	(B,93,17)	RS1/16SS203J
R 4040	(A,117,32)	RS1/16SS472J	R 4205	(B,93,15)	RS1/16SS104J
R 4043	(A,48,42)	RS1/16SS4R7J	R 4206	(A,97,27)	RS1/16SS103J
R 4044	(A,112,31)	RS1/16SS472J	R 4207	(A,97,16)	RS1/16SS472J
R 4045	(A,48,44)	RS1/16SS56R0D	R 4208	(B,100,21)	RS1/16SS1003D
R 4046	(A,122,29)	RS1/16SS201J	R 4209	(B,102,21)	RS1/16SS9101D
R 4047	(A,49,46)	RS1/16SS1800D	R 4210	(A,101,16)	RS1/16SS6800D
R 4048	(A,51,46)	RS1/16SS2R2J	R 4211	(A,102,15)	RS1/16SS1502D
R 4049	(A,119,26)	RS1/16SS621J	R 4212	(A,103,16)	RS1/16SS8201D
R 4050	(A,51,47)	RS1/16SS47R0D	R 4213	(A,90,27)	RS1/10SR2R2J
R 4051	(A,50,48)	RS1/16SS0R0J	R 4214	(A,89,17)	RS1/10SR0R0J
R 4052	(A,119,28)	RS1/16SS181J	R 4215	(A,91,16)	RS1/10SR1203D
R 4053	(A,51,49)	RS1/16SS39R0D	R 4216	(A,93,16)	RS1/10SR3001D
R 4054	(A,53,49)	RS1/16SS4R7J	R 4217	(A,93,14)	RS1/10SR1502D
R 4055	(A,122,28)	RS1/16SS620J	R 4218	(A,91,15)	RS1/10SR472J
R 4056	(A,120,25)	RS1/16SS0R0J	R 4301	(B,29,59)	RS1/16SS1000D
R 4057	(A,121,25)	RS1/16SS0R0J	R 4302	(A,25,59)	RS1/16SS0R0J
R 4058	(A,123,25)	RS1/16SS0R0J	R 4303	(B,33,62)	RS1/16SS103J
R 4059	(A,124,25)	RS1/16SS0R0J	R 4305	(B,35,59)	RS1/16SS103J
R 4060	(B,50,37)	RS1/16SS1000D	R 4306	(B,36,59)	RS1/16SS103J
R 4061	(B,48,38)	RS1/16SS8R2J	R 4307	(A,35,55)	RS1/16SS103J
R 4062	(B,50,39)	RS1/16SS1300D	R 4308	(B,23,55)	RS1/16SS151J
R 4063	(B,49,40)	RS1/16SS0R0J	R 4309	(B,23,54)	RS1/16SS151J
R 4064	(B,50,42)	RS1/16SS1000D	R 4310	(B,23,53)	RS1/16SS151J
R 4065	(B,48,43)	RS1/16SS8R2J	R 4311	(B,23,52)	RS1/16SS151J
R 4066	(B,50,44)	RS1/16SS39R0D	R 4312	(B,22,50)	RS1/16SS151J
R 4067	(B,48,44)	RS1/16SS4R7J	R 4313	(B,23,50)	RS1/16SS151J
R 4068	(B,50,45)	RS1/16SS47R0D	R 4314	(B,24,49)	RS1/16SS151J
R 4069	(B,48,46)	RS1/16SS0R0J	R 4315	(B,25,47)	RS1/16SS151J
R 4070	(B,50,47)	RS1/16SS1800D	R 4316	(B,25,46)	RS1/16SS151J
R 4071	(B,51,48)	RS1/16SS2R2J	R 4317	(B,26,45)	RS1/16SS151J
R 4072	(B,30,37)	RS1/16SS473J	R 4318	(B,28,46)	RS1/16SS151J
R 4073	(B,52,49)	RS1/16SS33R0D	R 4319	(B,30,47)	RS1/16SS330J

1

2

3

4

5		6		7		8	
<u>Circuit Symbol and No.</u>		<u>Part No.</u>		<u>Circuit Symbol and No.</u>		<u>Part No.</u>	
R 4320	(B,31,46)	RS1/16SS151J		C 4067	(A,20,36)	CKSSYB104K16	
R 4321	(B,32,46)	RS1/16SS151J		C 4101	(A,89,63) 10 uF	CCG1236	
R 4322	(B,33,46)	RS1/16SS151J		C 4105	(A,110,44)	CKSRYB105K16	
R 4323	(B,35,47)	RS1/16SS151J		C 4106	(A,108,46)	CKSRYB105K16	A
R 4324	(B,36,50)	RS1/16SS151J					
R 4325	(B,37,50)	RS1/16SS151J		C 4108	(A,113,40)	CKSRYB105K10	
R 4326	(B,37,51)	RS1/16SS151J		C 4109	(A,114,42)	CCSSCH101J50	
R 4327	(B,36,52)	RS1/16SS151J		C 4111	(A,118,55) 10 uF	CCG1236	
R 4328	(B,37,53)	RS1/16SS151J		C 4113	(A,119,50)	CKSRYB224K16	
R 4329	(B,36,54)	RS1/16SS151J		C 4201	(B,90,20)	CKSSYB102K50	
R 4330	(B,37,55)	RS1/16SS151J		C 4202	(B,104,17)	CKSRYB105K16	
R 4331	(B,36,56)	RS1/16SS151J		C 4203	(B,92,17)	CKSSYB105K6R3	
R 4332	(A,21,41)	RS1/16SS0R0J		C 4204	(B,103,26)	CKSQYB105K25	
R 4333	(A,21,64)	RS1/10SR0R0J		C 4206	(B,102,23)	CKSQYB105K25	
R 4334	(A,21,62)	RS1/10SR0R0J		C 4207	(B,101,19)	CKSRYB104K50	
R 4335	(A,21,60)	RS1/10SR0R0J		C 4209	(B,99,27)	CKSRYB104K50	B
R 4336	(A,21,58)	RS1/10SR0R0J		C 4210	(B,99,24)	CKSRYB104K50	
R 4337	(A,21,55)	RS1/10SR0R0J		C 4211	(A,100,12)	CKSSYB224K6R3	
R 4338	(A,21,53)	RS1/10SR0R0J		C 4212	(A,99,12)	CKSSYB224K6R3	
R 4339	(A,23,48)	RS1/10SR0R0J		C 4213	(A,98,12)	CKSSYB105K6R3	
R 4340	(A,26,48)	RS1/10SR0R0J		C 4215	(A,101,26)	CKSYB475K16	
R 4341	(A,29,48)	RS1/10SR0R0J		C 4216	(A,96,14)	CKSRYB682K50	
R 4342	(A,24,66)	RS1/10SR0R0J		C 4217	(A,91,29)	CKSQYB475K6R3	
R 4343	(A,4,47)	RS1/10SR0R0J		C 4218	(A,102,18)	CCSQCH101J50	
R 4344	(A,6,47)	RS1/10SR0R0J		C 4219	(B,101,21)	CKSSYB561K50	
R 4345	(A,7,66)	RS1/10SR0R0J		C 4220	(A,102,20)	CKSRYB224K16	C
R 4346	(A,8,66)	RS1/10SR0R0J		C 4221	(A,88,27)	CKSRYB472K50	
R 4347	(A,10,66)	RS1/10SR0R0J		C 4222	(A,88,23)	CKSYB475K16	
R 4348	(A,7,26)	RS1/10SR0R0J		C 4223	(A,88,21)	CKSYB475K16	
R 4349	(A,7,28)	RS1/10SR0R0J		C 4224	(A,93,15)	CKSRYB471K50	
R 4350	(A,7,29)	RS1/10SR0R0J		C 4301	(B,22,63) 10 uF	CCG1234	

CAPACITORS

C 4010	(B,100,65)	CKSRYB104K16		C 4302	(B,29,61)	CKSSYB104K10	
C 4011	(B,98,59)	CCSSCH101J50		C 4303	(B,30,61)	CKSSYB104K10	
C 4012	(A,12,42)	CKSSYB104K16		C 4304	(B,22,65) 10 uF	CCG1234	
C 4013	(A,110,9)	CKSSYB104K10		C 4305	(B,23,62)	CKSSYB103K16	
C 4014	(A,112,10)	CKSSYB104K10		C 4306	(A,27,55)	CKSSYB104K10	
C 4015	(B,13,42) 10 uF	DCH1165		C 4307	(A,27,54)	CKSSYB103K16	D
C 4016	(A,110,27) 10 uF	CCG1234		C 4308	(B,27,59)	CKSSYB104K10	
C 4017	(A,114,23) 10 uF	CCG1234		C 4309	(B,31,60)	CKSSYB104K10	
C 4018	(A,115,25)	CKSSYB104K10		C 4310	(B,31,59)	CKSSYB103K16	
C 4019	(A,112,27)	CKSSYB104K10		C 4311	(B,28,59)	CKSSYB103K16	
C 4030	(B,51,37)	CKSSYB102K50		C 4312	(B,33,60)	CKSSYB104K10	
C 4032	(B,51,38)	CKSSYB104K16		C 4313	(B,33,59)	CKSSYB103K16	
C 4034	(B,51,40)	CKSSYB102K50		C 4314	(A,25,57)	CKSSYB104K10	
C 4035	(A,89,19)	CKSSYB102K50		C 4315	(A,25,58)	CKSSYB103K16	
C 4037	(B,51,39)	CKSSYB104K16		C 4316	(B,30,45)	CCSSCH100D50	
C 4039	(B,39,32) 10 uF	DCH1165		C 4321	(A,100,51) 10 uF	CCG1236	
C 4045	(B,35,33)	CKSSYB104K16		C 4322	(A,102,51) 10 uF	CCG1236	E
C 4050	(B,26,32) 10 uF	CCG1234		C 4323	(A,34,58)	CKSRYB104K16	
C 4051	(B,37,33)	CKSSYB102K50		C 4324	(A,28,51)	CKSRYB104K16	
C 4053	(B,27,31)	CKSSYB104K10		C 4325	(A,34,53)	CKSRYB104K16	
C 4056	(B,28,31)	CKSSYB102K50					
C 4058	(B,15,33)	CKSQYB225K16					
C 4061	(B,20,33) 4.7 uF	CCG1201					
C 4062	(B,19,37)	CKSQYB334K50					
C 4063	(B,22,31)	CKSSYB104K16					
C 4065	(B,21,37)	CKSRYB104K50					



Unit Number : CXX5403
Unit Name : Key Unit(Service)

MISCELLANEOUS

D 5501	(A,152,6) LED	SMLVN6RGB2U(A)
D 5502	(A,20,6) LED	SMLVN6RGB2U(A)
S 5501	(A,142,6) Switch	VSG1020

Circuit Symbol and No.**Part No.**

S 5502	(A,97,6) Switch	VSG1020
S 5503	(A,31,6) Switch	VSG1020
S 5504	(A,68,6) Switch	VSG1020
S 5505	(A,50,6) Switch	VSG1020
S 5506	(A,83,6) Switch	VSG1020
S 5507	(A,113,6) Switch	VSG1020
S 5508	(A,128,6) Switch	VSG1020
CN5501	(B,30,6) Connector	CKS6291

RESISTORS

R 5501	(A,64,8)	RS1/16SS122J
R 5502	(A,46,8)	RS1/16SS122J
R 5503	(A,73,7)	RS1/16SS242J
R 5504	(A,109,8)	RS1/16SS242J
R 5505	(A,123,8)	RS1/16SS682J

CAPACITORS

C 5501	(A,156,7)	CKSSYB104K16
C 5503	(A,156,5)	CKSSYB104K16
C 5504	(A,17,5)	CKSSYB104K16
C 5506	(A,17,7)	CKSSYB104K16

F**Unit Number : EXX2001****Unit Name : PCB Unit(Service)****MISCELLANEOUS**

IC 101	Driver IC	BA6288FS
VR101	Volume 10 kohm	CCW1029
S 101	Switch(HOME)	CSN1067
S 102	Switch(HOME)	CSN1068
CN101	Connector	CKS4997

RESISTORS

R 101	RS1/16S221J
R 102	RS1/16S221J
R 103	RS1/16S0R0J

CAPACITORS

C 101	CEVW220M16
C 102	CKSRYB104K16