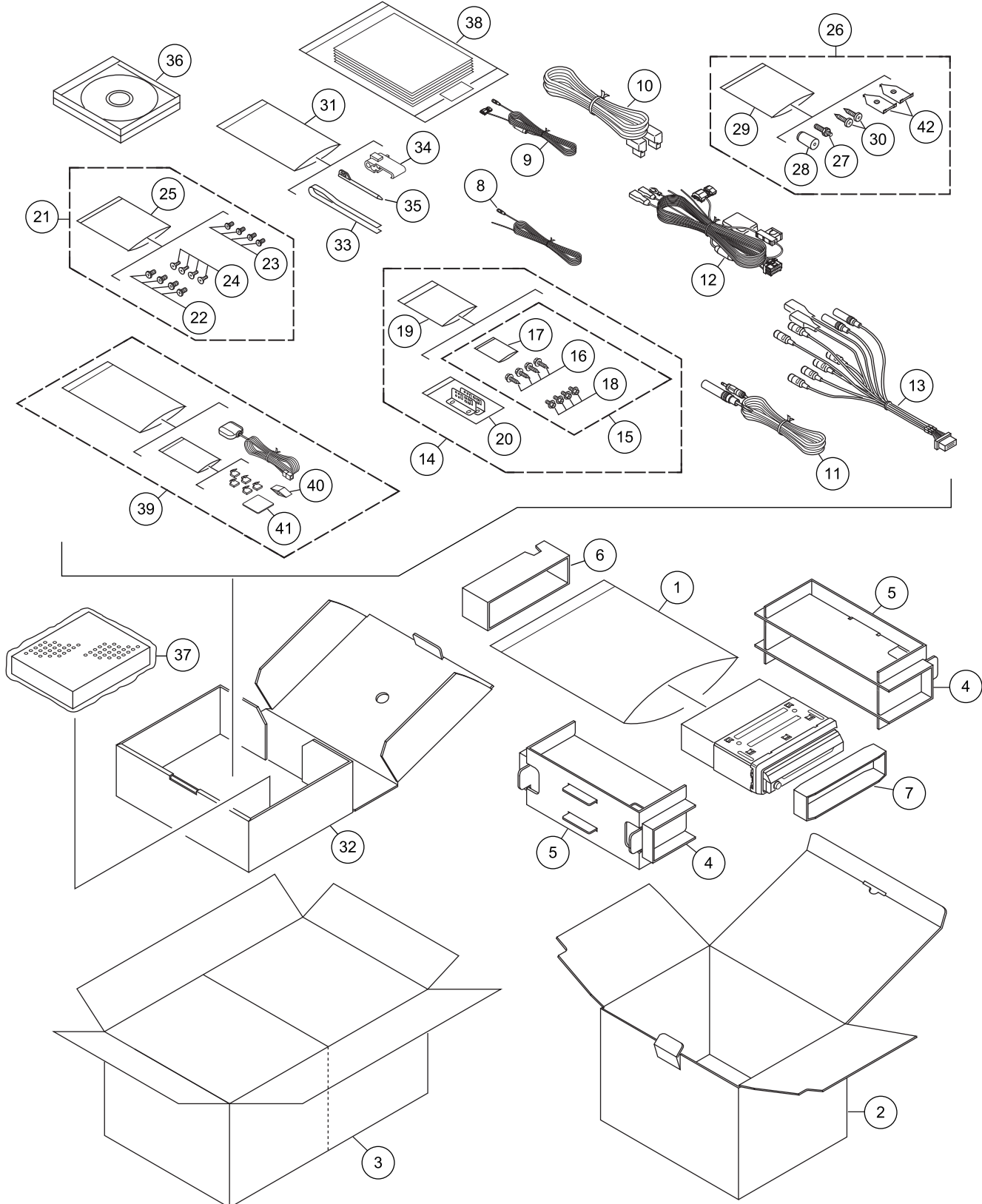


# 9. EXPLODED VIEWS AND PARTS LIST

NOTES : • Parts marked by "\*" are generally unavailable because they are not in our Master Spare Parts List.  
• The  $\triangle$  mark found on some component parts indicates the importance of the safety factor of the part. Therefore, when replacing, be sure to use parts of identical designation.  
• Screw adjacent to  $\nabla$  mark on the product are used for disassembly.  
• For the applying amount of lubricants or glue, follow the instructions in this manual.  
(In the case of no amount instructions, apply as you think it appropriate.)

## 9.1 PACKING(UC)



**PACKING(UC) SECTION PARTS LIST**

<u>Mark No.</u>	<u>Description</u>	<u>Part No.</u>	<u>Mark No.</u>	<u>Description</u>	<u>Part No.</u>
1	Polyethylene Bag	CEG1173	* 26	Accessory Assy	CEA7737
2	Unit Box	CHG6243	27	Screw	CBA1650
3	Contain Box	CHL6243	28	Bush	CNV3930
4	Protector	CHP2876	* 29	Polyethylene Bag	E36-615
5	Protector	CHP2877	30	Fixing Screw	JGZ20P070FTC
6	Protector	CHP2945	31	Cover	CEG1385
7	Protector	CHP3454	32	Sub Unit Box	CHG5440
8	Cord	CDE5044	33	Sheet	CNN1741
9	Cord	CDE6825	34	Connector	CKX1049
10	Cord Assy	CDE7398	35	Pen	CNV8969
11	Antenna Cable	CDH1325	36	DVD-ROM	CPJ1184
12	Cord Assy	CDP1058	37	Air Cushioned Bag	CEG1007
13	Cord Assy	CDP1059	38-1	Polyethylene Bag	CEG1116
14	Accessory Assy	CEA3996	38-2	Owner's Manual	CRB2449
15	Screw Assy	CEA4396	38-3	Owner's Manual/POC/FRE	CRB2450
16	Screw(M6 x 16)	CBA1795	38-4	Owner's Manual	CRB2451
* 17	Polyethylene Sheet	CNM4338	38-5	Owner's Manual/POC/FRE	CRB2452
18	Screw	HMF40P080FTC	38-6	Installation Manual	CRD4241
* 19	Polyethylene Bag	CEG1163	38-7	Caution Card	CRP1310
20	Angle Assy	CXC1079	* 38-8	Warranty Card	CRY1246
21	Screw Assy	CEA5144	* 38-9	Registration Card	CRY1263
22	Screw	BMZ50P060FTC	39	GPS Antenna Assy	CXC4864
23	Screw(M4 x 3)	CBA1870	40	Packing	CZN5442
24	Screw	CMZ50P060FTC	41	Grand Sheet	CZN7008
* 25	Polyethylene Sheet	CNM4338	42	Bracket	CND4079

**Owner's Manual,Installation Manual**

<b>Part No.</b>	<b>Language</b>
CRB2449	English
CRB2450	French
CRB2451	English
CRB2452	French
CRD4241	English, French

# 9.2 PACKING(EW5)

A

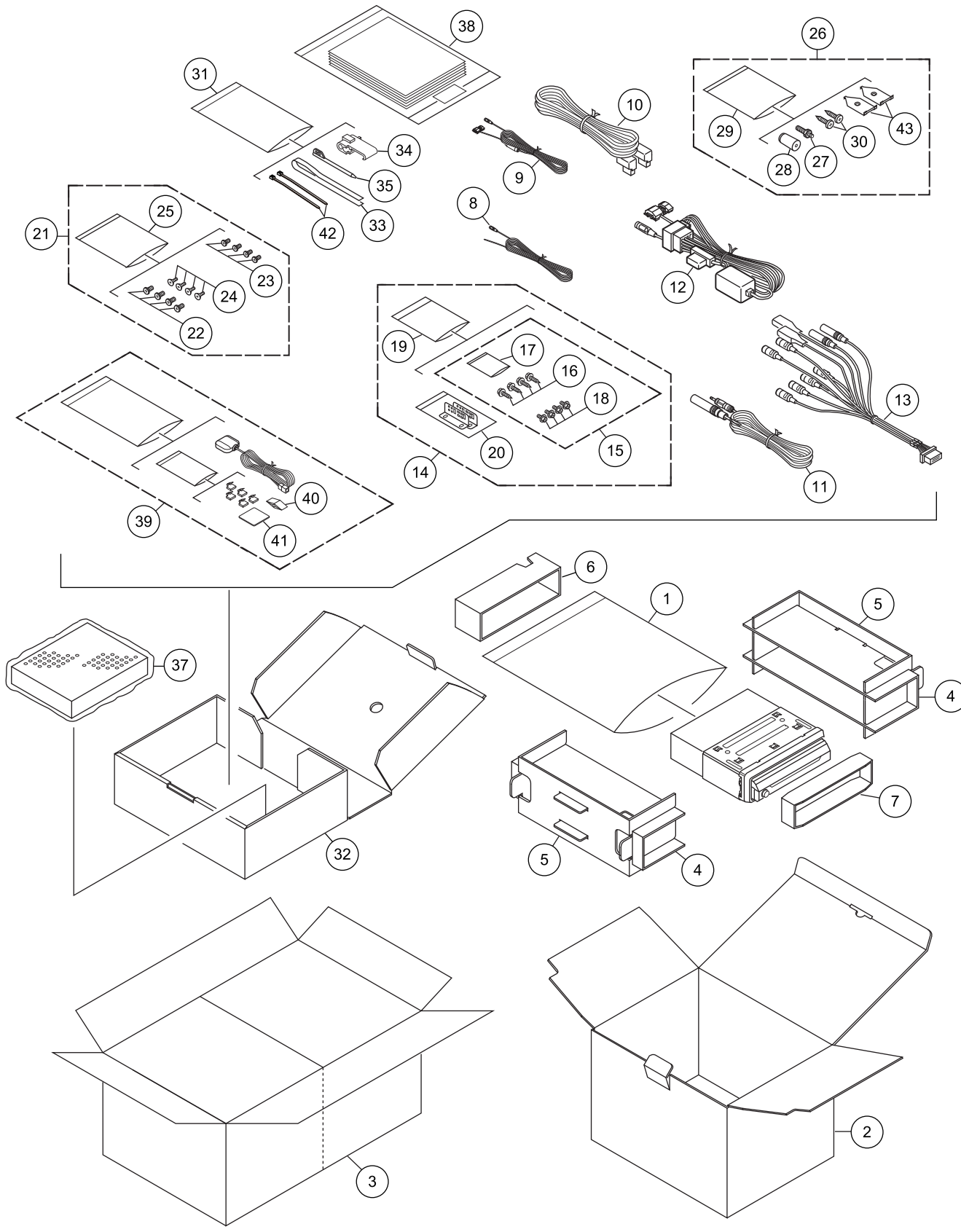
B

C

D

E

F



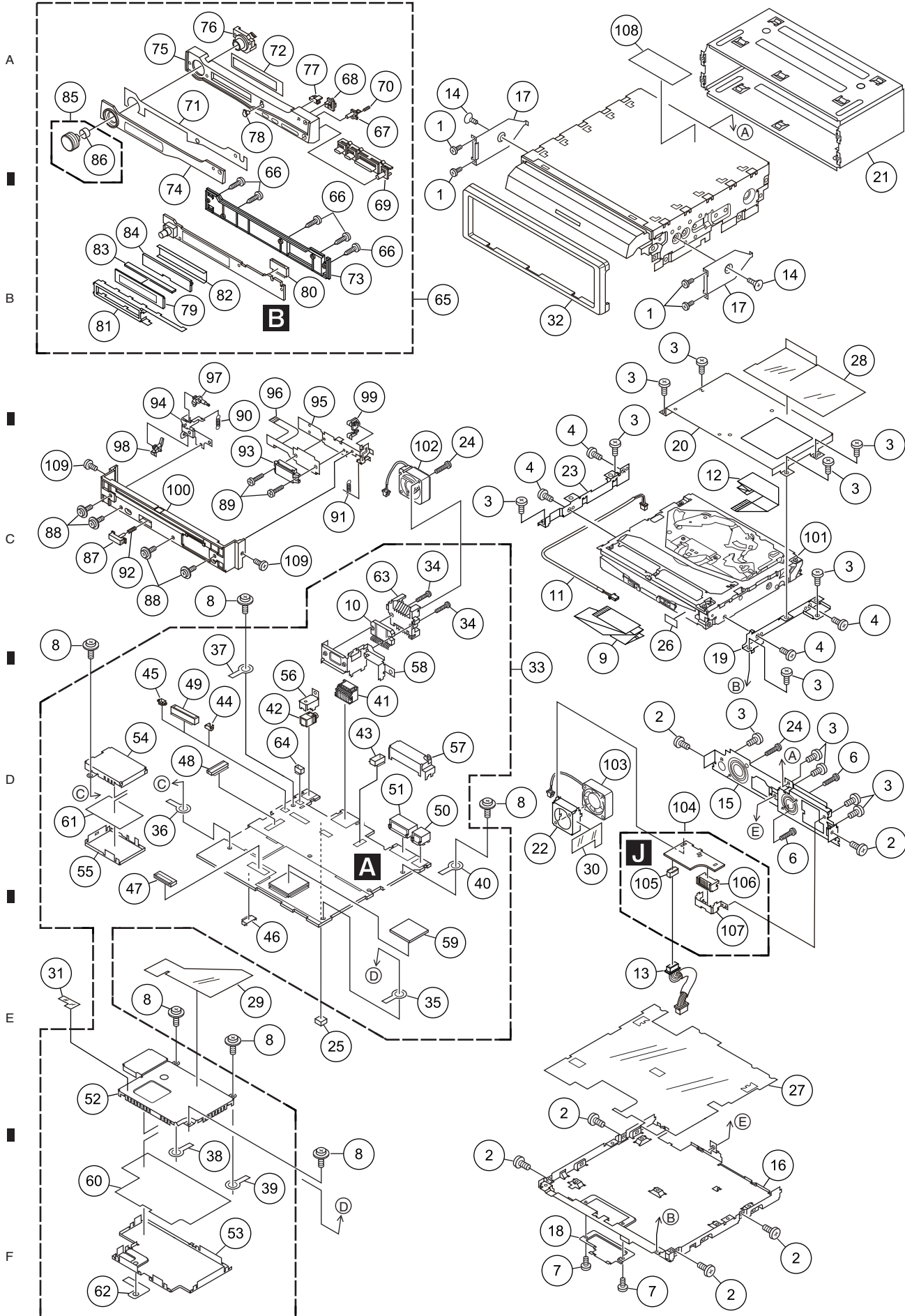
**PACKING(EW5) SECTION PARTS LIST**

<u>Mark No.</u>	<u>Description</u>	<u>Part No.</u>	<u>Mark No.</u>	<u>Description</u>	<u>Part No.</u>
1	Polyethylene Bag	CEG-162			
2	Unit Box	CHG6242	31	Cover	CEG1385
3	Contain Box	CHL6242	32	Sub Unit Box	CHG5440
4	Protector	CHP2876	33	Sheet	CNN1741
5	Protector	CHP2877	34	Connector	CKX1049
			35	Pen	CNV8969
6	Protector	CHP2945			
7	Protector	CHP3454	36	*****	
8	Cord	CDE5044	37	Air Cushioned Bag	CEG1007
9	Cord	CDE6825	38-1	Polyethylene Bag	CEG1116
10	Cord Assy	CDE7398	38-2	Owner's Manual/PEE/ENG	CRB2453
			38-3	Owner's Manual/PEE/SPE	CRB2454
11	Antenna Cable	CDH1325			
12	Cord Assy	CDP1057	38-4	Owner's Manual/PEE/GER	CRB2455
13	Cord Assy	CDP1059	38-5	Owner's Manual/PEE/FRE	CRB2456
14	Accessory Assy	CEA3996	38-6	Owner's Manual/PEE/ITA	CRB2457
15	Screw Assy	CEA4396	38-7	Owner's Manual/PEE/DUT	CRB2458
			38-8	Owner's Manual/PEE/ENG	CRB2459
16	Screw(M6 x 16)	CBA1795			
* 17	Polyethylene Sheet	CNM4338	38-9	Owner's Manual/PEE/SPE	CRB2460
18	Screw	HMF40P080FTC	38-10	Owner's Manual/PEE/GER	CRB2461
* 19	Polyethylene Bag	CEG1163	38-11	Owner's Manual/PEE/FRE	CRB2462
20	Angle Assy	CXC1079	38-12	Owner's Manual/PEE/ITA	CRB2463
			38-13	Owner's Manual/PEE/DUT	CRB2464
21	Screw Assy	CEA5144			
22	Screw	BMZ50P060FTC	38-14	Installation Manual	CRD4242
23	Screw(M4 x 3)	CBA1870	* 38-15	Warranty Card	CRY1265
24	Screw	CMZ50P060FTC	* 38-16	Caution Card	CRP1362
* 25	Polyethylene Sheet	CNM4338	39	GPS Antenna Assy	CXC4864
			40	Packing	CZN5442
* 26	Accessory Assy	CEA7737			
27	Screw	CBA1650	41	Grand Sheet	CZN7008
28	Bush	CNV3930	* 42	Lock Tie	CNV-754
* 29	Polyethylene Bag	E36-615	43	Bracket	CND4079
30	Fixing Screw	JGZ20P070FTC			

**Owner's Manual,Installation Manual**

<b>Part No.</b>	<b>Language</b>
CRB2453	English
CRB2454	Spanish
CRB2455	German
CRB2456	French
CRB2457	Italian
CRB2458	Dutch
CRB2459	English
CRB2460	Spanish
CRB2461	German
CRB2462	French
CRB2463	Italian
CRB2464	Dutch
CRD4242	English, Spanish, German, French, Italian, Dutch

# 9.3 EXTERIOR(1)

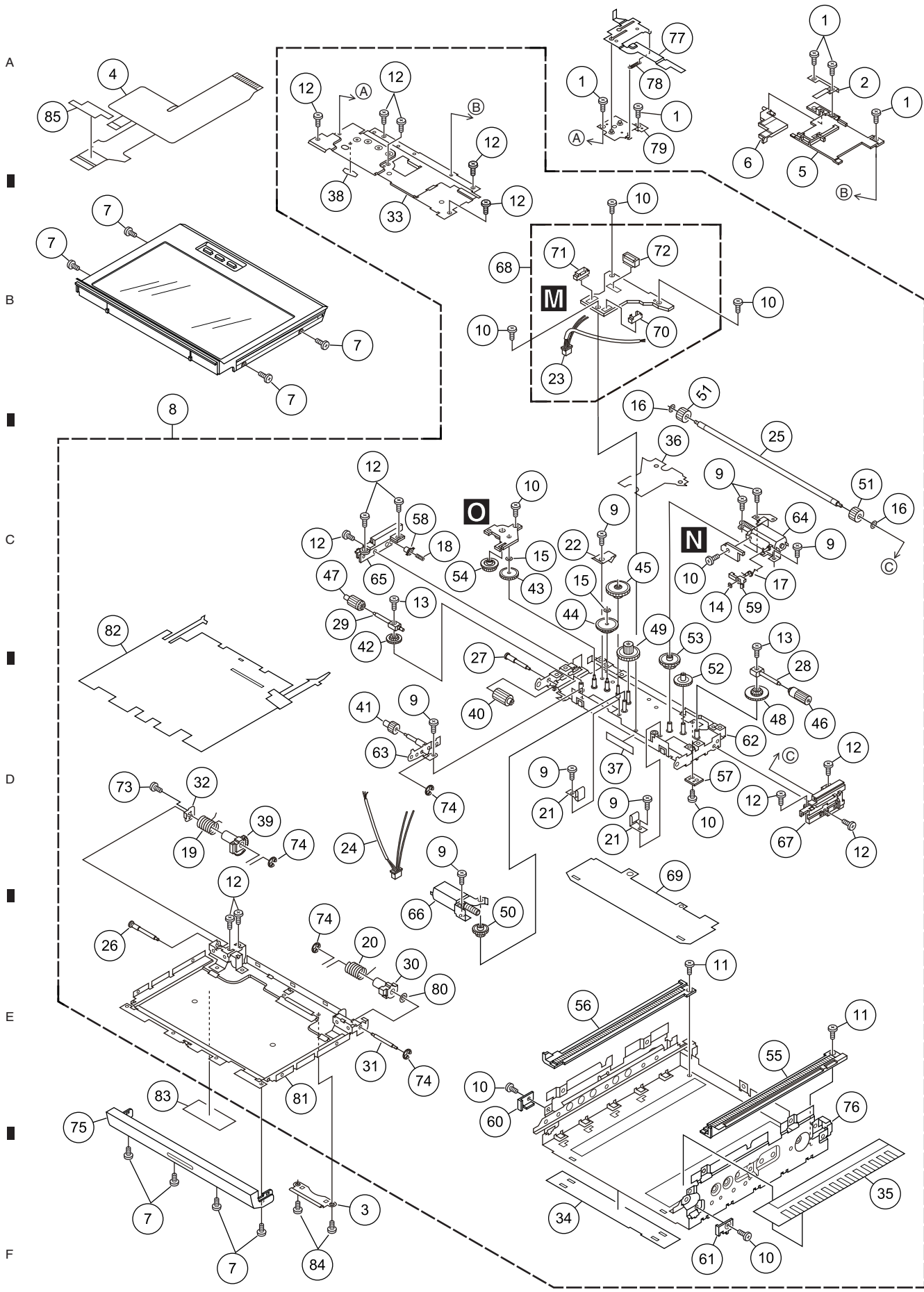


5 6 7 8

**EXTERIOR(1) SECTION PARTS LIST**

<u>Mark No.</u>	<u>Description</u>	<u>Part No.</u>	<u>Mark No.</u>	<u>Description</u>	<u>Part No.</u>
1	Screw	BMZ20P030FTB	59	Sheet	CNM7902
2	Screw	BMZ26P030FTB	60	Insulator	CNM8572
3	Screw	BMZ26P040FTC	61	Insulator	CNM8573
4	Screw(M2 x 3)	CBA2096	62	Insulator	CNM8856
5	*****		63	Heat Sink	CNR1739
6	Screw(M2.6 x 14)	CBA2103	64	Connector(CN2551)	VKN1928
7	Screw(M2 x 1.4)	CBA2106	65	Grille Assy(UC model)	CXC7367
8	Screw	ISS26P050FTC		Grille Assy(EW5 model)	CXC7368
9	FFC	CDE7740	66	Screw	BPZ20P080FTB
10	IC(IC2405)	PAL007C	67	Button(DETACH)	CAI1176
11	Cord Assy	CDE8461	68	Button(RESET)	CAI1177
12	FFC	CDE8462	69	Button(TEL, EJECT, <, >, OPEN/TILT)	CAI1245
13	Cord Assy	CDE8463	70	Spring	CBH2680
14	Screw	CMZ50P060FTC	71	Double Side Tape	CNN1579
15	Panel	CNB3411	72	Sheet	CNN1991
16	Case	CNB3412	73	Cover	CNS8964
17	Bracket	CND1482	74	Plate(UC model)	CNS9023
18	Holder	CND1948		Plate(EW5 model)	CNS9024
19	Bracket	CND3842	75	Grille	CNS9028
20	Bracket	CND3845	76	Lighting Conductor	CNV9504
21	Holder	CND3854	77	Lighting Conductor	CNV9506
22	Holder	CND4033	78	Lighting Conductor	CNV9507
23	Bracket	CND4034	79	LCD(LCD4001)	CAW1950
24	Screw	PMZ20P160FTC	80	Connector(CN4001)	CKS4657
25	Spacer	CNM9200	81	Holder	CND3851
26	Spacer	CNN1582	82	Sheet	CNN1580
27	Insulator	CNN1671	83	Connector	CNV9502
28	Insulator	CNN1672	84	Lighting Conductor	CNV9503
29	Insulator	CNN1673	85	Knob Unit(VOL/MUTE)	CXC7631
30	Insulator	CNN1674	86	Spring	CBL1761
31	Insulator	CNN1782	87	Button(DETACH)	CAI1460
32	Panel	CNS8978	88	Screw(M2 x 3)	CBA2104
33	CC Unit(UC model)	CWN2308	89	Screw(M2 x 3)	CBA2105
	CC Unit(EW5 model)	CWN2309	90	Spring	CBH2681
34	Screw	BMZ26P160FTC	91	Spring	CBH2682
35	Terminal(CN100)	CKF1064	92	Spring	CBH2683
36	Terminal(CN604)	CKF1064	93	Connector	CKS4658
37	Terminal(CN605)	CKF1064	94	Holder	CND3852
38	Terminal(CN614)	CKF1064	95	Holder	CND3853
39	Terminal(CN615)	CKF1064	96	Flexible PCB	CNQ1002
40	Terminal(CN2601)	CKF1064	97	Arm	CNV8571
41	Plug(CN802)	CKM1516	98	Arm	CNV8572
42	Jack(CN2552)	CKN1043	99	Arm	CNV8573
43	Connector(CN691)	CKS4674	100	Panel Unit	CXC7633
44	Connector(CN824)	CKS4822	101	DVD Mechanism Module(MS5)	CXK6601
45	Connector(CN971)	CKS4822	102	Fan Motor	CXM1284
46	Connector(CN2701)	CKS5038	103	Fan Motor	CXM1343
47	Connector(CN2)	CKS5100	104	Mother Tuner Unit(UC model)	CWN2310
48	Connector(CN607)	CKS5100		Mother Unit(EW5 model)	CWN2311
49	Connector(CN608)	CKS5586	105	Connector(CN2801)	CKS4674
50	Connector(CN692)	CKS5598	106	Connector(CN2803)	CKM1506
51	Connector(CN731)	CKS5696	107	Holder	CND4039
52	Shield	CND1949	108	Label(EW5 model)	CAN5448
53	Shield	CND1950	109	Screw(M2 x 3)	CBA1797
54	Shield	CND1951			
55	Shield	CND1952			
56	Holder	CND4036			
57	Holder	CND4037			
58	Holder	CND4038			

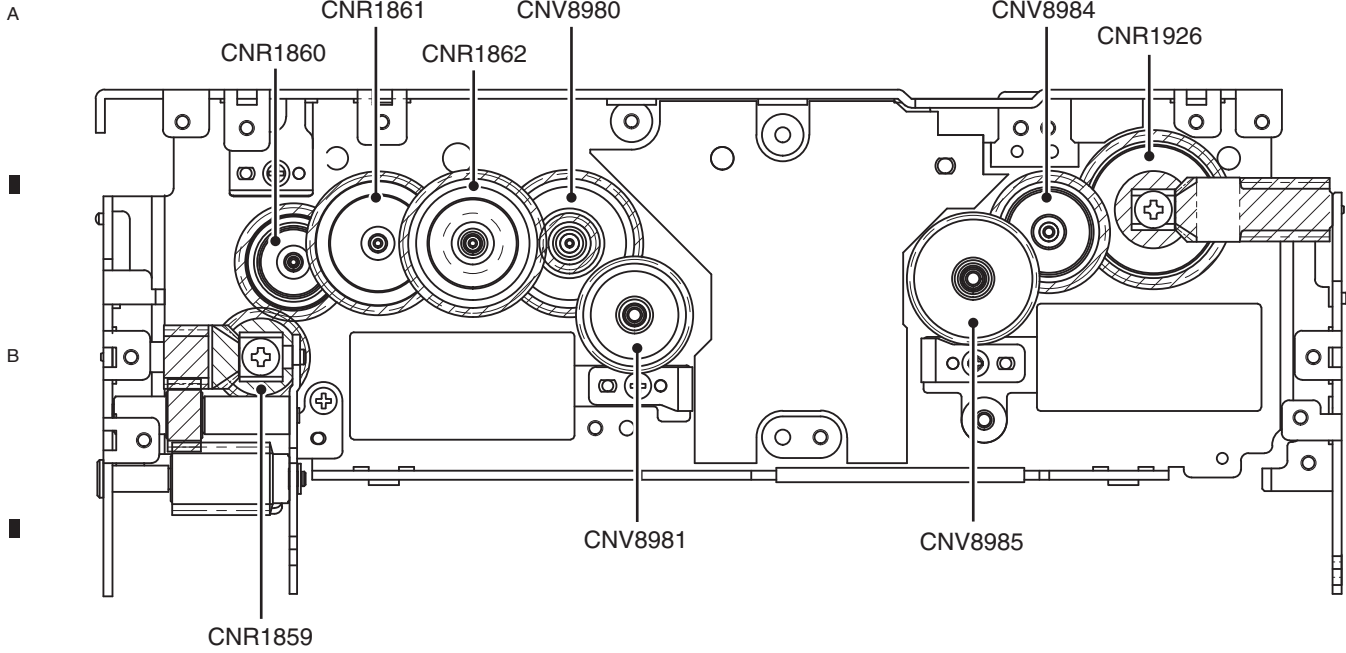
# 9.4 EXTERIOR(2)



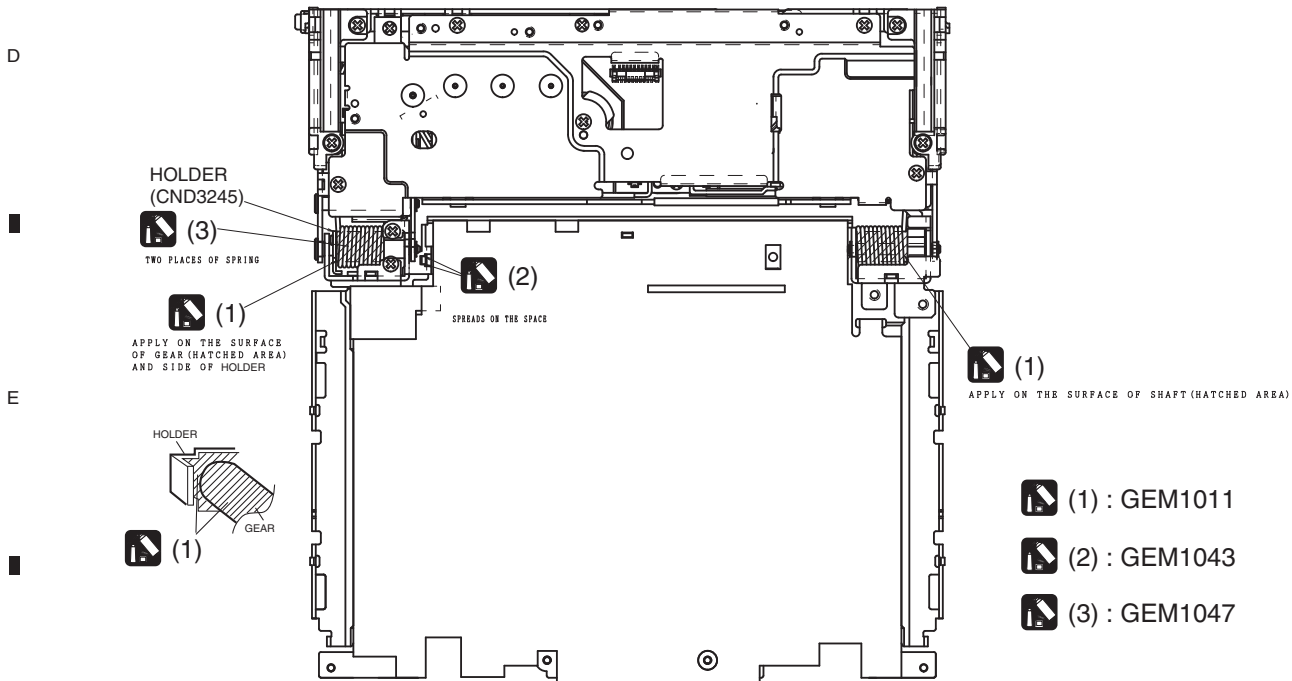
## EXTERIOR(2) SECTION PARTS LIST

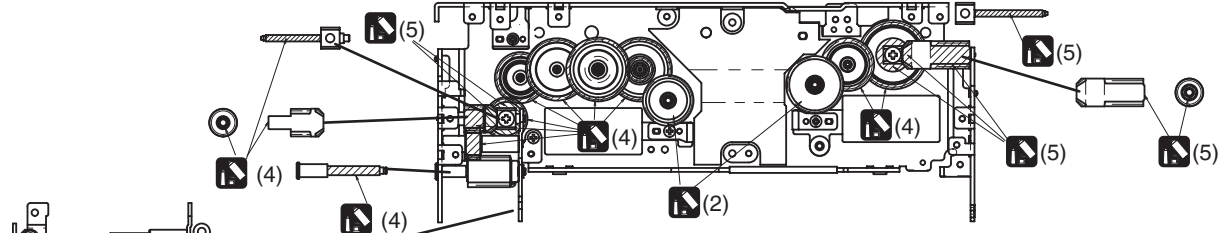
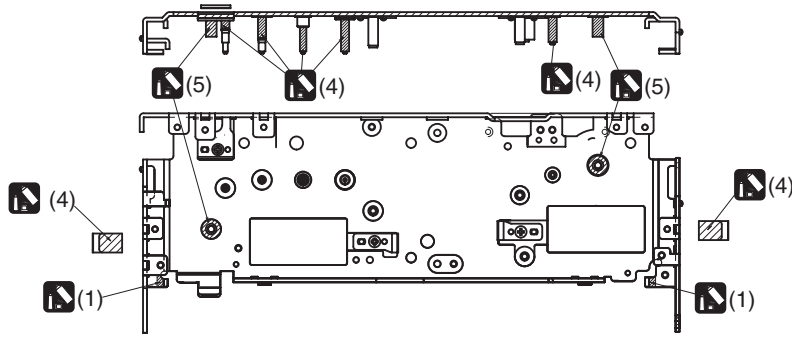
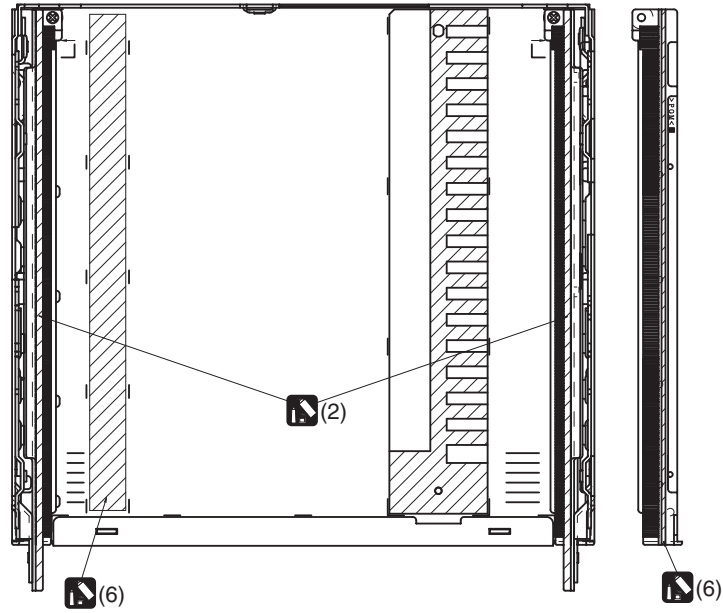
<u>Mark No.</u>	<u>Description</u>	<u>Part No.</u>	<u>Mark No.</u>	<u>Description</u>	<u>Part No.</u>
1	Screw(M2 x 3)	CBA1797	50	Gear	CNV8981
2	Spring	CBL1766			
3	Holder	CND3271	51	Gear	CNV8983
4	Flexible PCB	CNQ1001	52	Gear	CNV8984
5	Cover	CNV9643	53	Gear	CNV8985
			54	Gear	CNV8987
6	Arm	CNV9644	55	Rack	CNV8995
7	Screw(M2 x 2)	CBA2101			
8	Drive Unit	CXC7637	56	Rack	CNV8996
9	Screw(M2 x 2)	CBA1608	57	Guide	CNV8999
10	Screw(M2 x 2.5)	CBA1615	58	Lever	CNV9000
			59	Arm	CNV9001
11	Screw(M2 x 2)	CBA1872	60	Guide	CNV9003
12	Screw(M2 x 3)	CBA1877			
13	Screw(M2.3 x 6)	CBA2027	61	Guide	CNV9004
14	Washer	CBF1037	62	Frame Unit	CXC6143
15	Washer	CBF1039	63	Holder Unit	CXC6145
			64	Motor Unit	CXC6638
16	Washer	CBF1064	* 65	Guide	CNV9534
17	Spring	CBH2906			
18	Spring	CBH2907	66	Motor Unit	CXC6639
19	Spring	CBH2908	* 67	Guide	CNV9535
20	Spring	CBH2909	68	Main PCB Unit(Service)	CXX2316
			69	Sheet	CNN1349
21	Spring	CBL1723	* 70	Connector(CN102)	CKS4734
22	Spring	CBL1734			
23	Cord	CDE8127	* 71	Connector(CN103)	CKS4735
24	Cord	CDE8128	72	Connector(CN101)	CKS5572
25	Shaft	CLA4651	73	Screw	JFZ17P025FTC
			74	Washer	YE15FTC
26	Shaft	CLA4661	75	Cover Unit	CXC7882
27	Shaft	CLA4662			
28	Shaft	CLA4663	* 76	Chassis Unit	CXC7638
29	Shaft	CLA4664	77	Lever	CND4077
30	Shaft	CLA4665	78	Spring	CBH2750
			79	Bracket Unit	CXC7978
31	Shaft	CLA4666	* 80	Spacer	CNN2051
32	Holder	CND3245			
33	Cover	CND3252	* 81	Case Unit	CXC7640
34	Sheet	CNN1055	* 82	Insulator	CNN1583
35	Sheet	CNN1056	83	Label	CRL2936
			84	Screw(M2 x 1.4)	CBA2106
36	Insulator	CNN1058	85	Insulator	CNN1938
37	Sheet	CNN1065			
38	Insulator	CNN1068			
39	Gear	CNR1855			
40	Gear	CNR1856			
41	Gear	CNR1857			
42	Gear	CNR1859			
43	Gear	CNR1860			
44	Gear	CNR1861			
45	Gear	CNR1862			
46	Gear	CNR1864			
47	Gear	CNR1925			
48	Gear	CNR1926			
49	Gear	CNV8980			

### The gear assembly figure of the Drive Unit

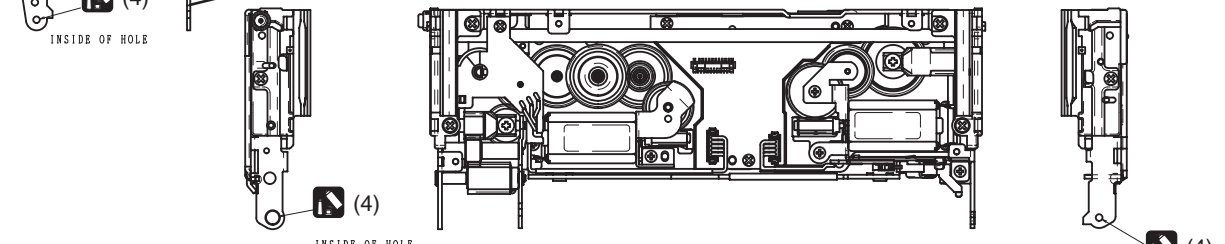


### Grease





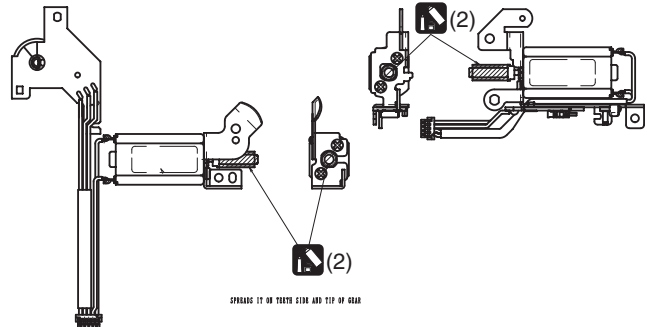
SPREADS IT ON THE ENTIRE GEAR.



INSIDE OF HOLE

INSIDE OF HOLE

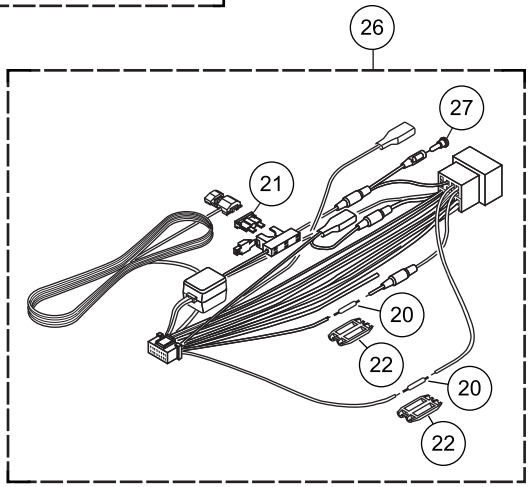
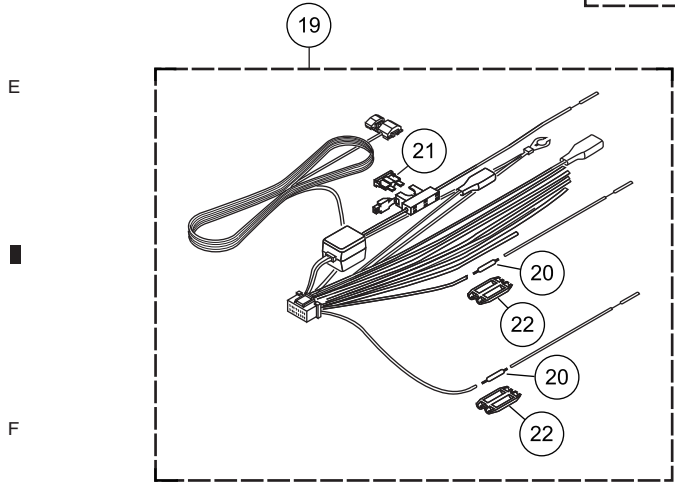
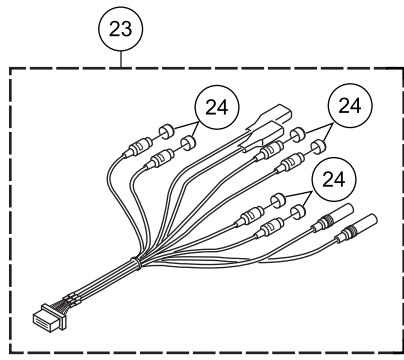
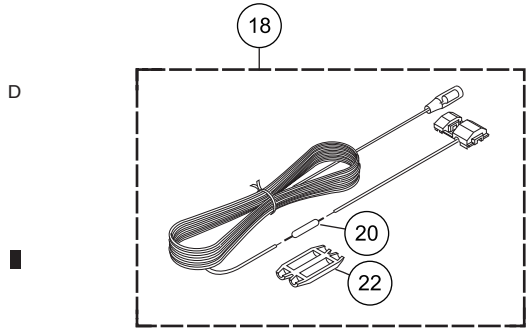
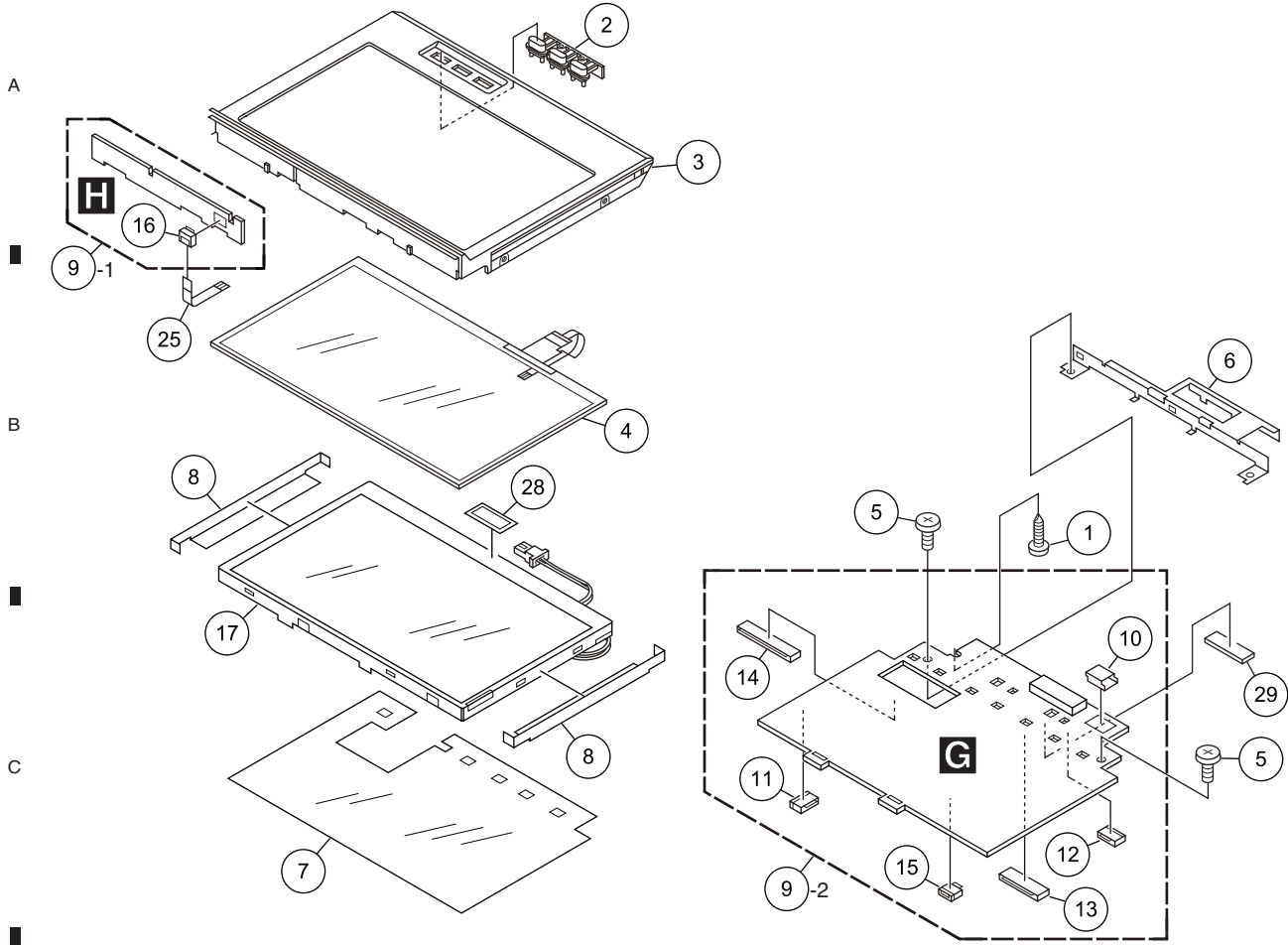
INSIDE OF HOLE



SPREADS IT ON TEETH SIDE AND TIP OF GEAR

- (1) : GEM1011
- (2) : GEM1043
- (3) : GEM1047
- (4) : GEM1024
- (5) : GEM1072
- (6) : GEM1071

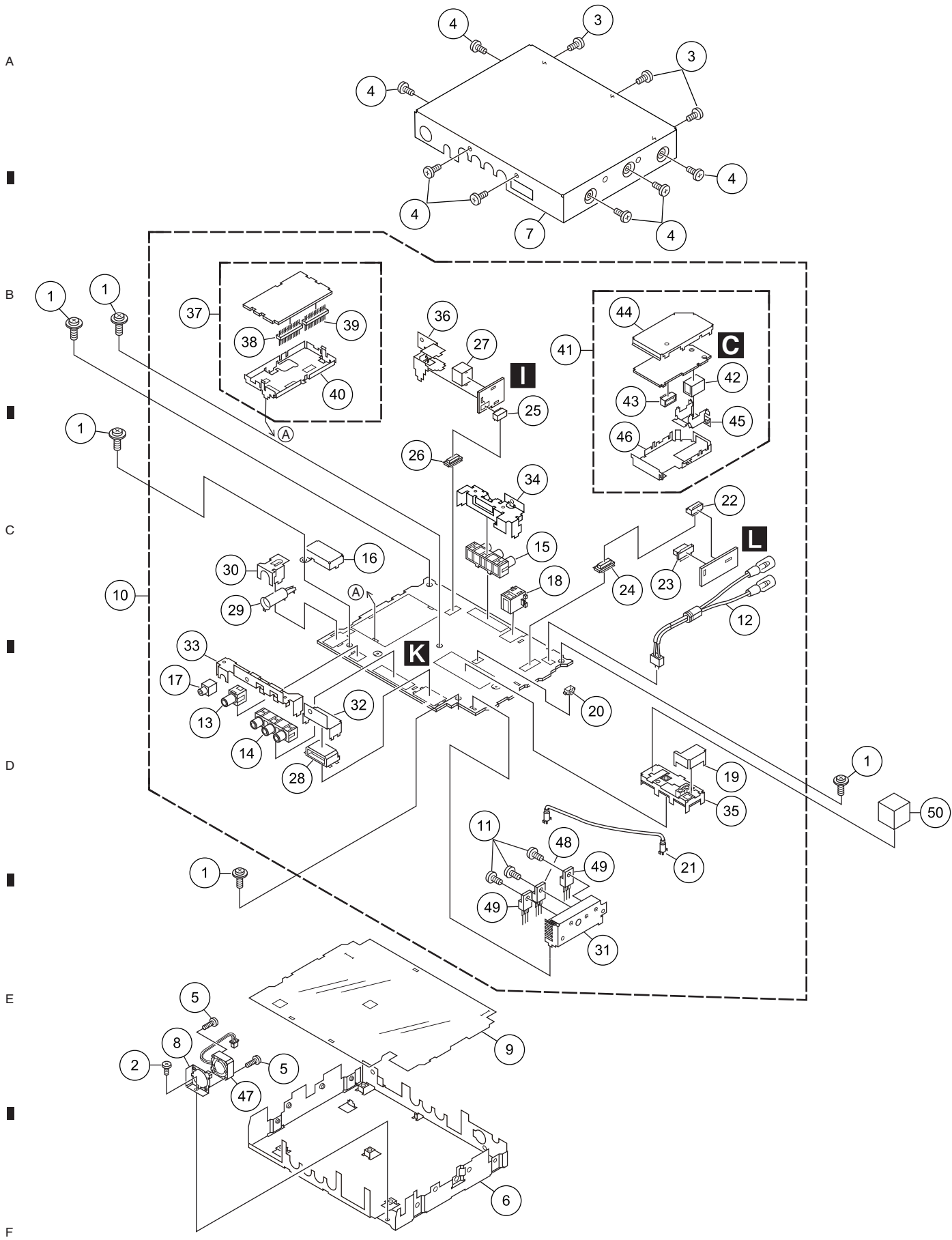
# 9.5 EXTERIOR(3)



## EXTERIOR(3) SECTION PARTS LIST

<u>Mark No.</u>	<u>Description</u>	<u>Part No.</u>	
1	Screw	BPZ20P060FTC	
2	Button(AV, MAP, MENU)	CAI1235	A
3	Grille(UC model)	CNS9020	
	Grille(EW5 model)	CNS9019	
4	Touch Panel	CSX1115	
5	Screw(M2 x 2)	CBA1872	
6	Holder	CND4041	
7	Insulator	CNN1667	
8	Sheet	CNN1754	
9	Monitor Unit	CWN2304	
10	Connector(CN5201)	CKS4428	B
11	Connector(CN5801)	CKS5037	
12	Connector(CN5001)	CKS5105	
13	Connector(CN5003)	CKS5698	
14	Connector(CN5501)	CKS5773	
15	Connector(CN5002)	CKS5811	
16	Connector(CN5901)	CKS5811	
17	LCD Module	CWX3264	
18	Cord	CDE6825	
19	Cord Assy(UC model)	CDP1058	C
20	Resistor	RS1/2PMF102J	
⚠ 21	Fuse(10 A)	CEK1136	
22	Cap	CNS1472	
23	Cord Assy	CDP1059	
24	Cap	CNV6727	
25	FFC	CDE8460	
26	Cord Assy(EW5 model)	CDP1057	
27	Terminal Cover(EW5 model)	CKX-003	
28	Insulator	CNN1939	D
29	Cushion	CNN1941	

# 9.6 EXTERIOR(4)



## EXTERIOR(4) SECTION PARTS LIST

<u>Mark No.</u>	<u>Description</u>	<u>Part No.</u>	<u>Mark No.</u>	<u>Description</u>	<u>Part No.</u>
1	Screw	ASZ26P050FTC	46	Shield	CND1161
2	Screw	BMZ26P030FTC			
3	Screw	BMZ26P060FTB	47	Fan Motor	CXM1343
4	Screw	BSZ26P060FTC	48	Transistor(Q1907)	2SB1185
5	Screw(M2.6 x 14)	CBA2103	49	Transistor(Q1908,1909)	2SD2375
			50	Gasket(EW5 model)	CNN1804
6	Chassis	CNA3007			
7	Case(UC model)	CNB3408			
	Case(EW5 model)	CNB3409			
8	Holder	CND1905			
9	Insulator	CNN1662			
10	Mother Tuner Unit(UC model)	CWN2310			
	Mother Unit(EW5 model)	CWN2311			
11	Screw	BMZ26P060FTC			
12	Cord Assy(CN1951)	CDE8563			
13	Pin Jack(CN1351)	CKB1065			
14	Pin Jack(CN1301)	CKB1071			
15	Pin Jack(CN1701)	CKB1071			
16	Shield(EW5 model)	CND4044			
17	Jack(CN1352)	CKN1046			
18	Connector(CN1101)	CKS3414			
19	Shield(EW5 model)	CND2814			
20	Connector(CN1950)	CKS4822			
21	Cord(EW5 model)	CDH1332			
22	Connector(CN552)	CKS5204			
23	Connector(CN551)	CKS5205			
24	Connector(CN1841)	CKS5205			
25	Connector(CN2002)	CKS5553			
26	Connector(CN1751)	CKS5554			
27	Connector(CN2001)	CKS5683			
28	Connector(CN1001)	CKS5696			
29	Antenna Jack(CN1402)	CKX1056			
30	Holder	CND1900			
31	Holder	CND1903			
32	Holder	CND1904			
33	Holder	CND3993			
34	Holder	CND3994			
35	Tuner Unit(Y1801)(EW5 model)	CWE1674			
36	Holder	CND4043			
37	FM/AM Tuner Unit(Y1401)(UC model)	CWE2046			
	FM/AM Tuner Unit(Y1401)(EW5 model)	CWE2045			
38	Connector(CN101)	CKS4653			
39	Connector(CN102)	CKS4653			
40	Holder	CND1432			
41	GPS Unit(UC model)	CWX3533			
	GPS Unit(EW5 model)	CWX3534			
42	Connector(CN504)	CKS4432			
43	Connector(CN461)	CKS5204			
44	Shield	CNC9192			
45	Holder	CNC9252			

# 9.7 DVD MECHANISM MODULE

A

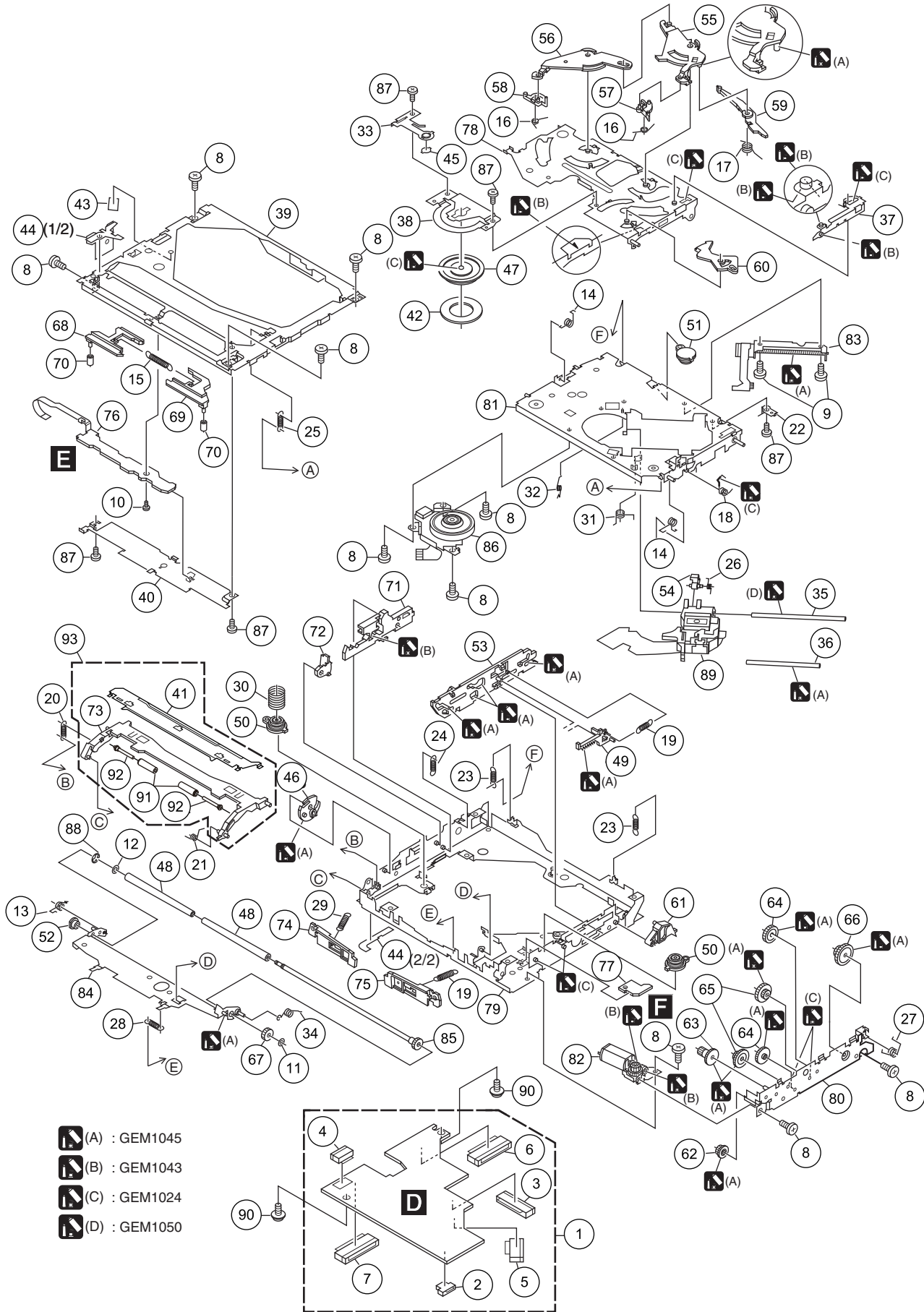
B

C

D

E

F



- (A) : GEM1045
- (B) : GEM1043
- (C) : GEM1024
- (D) : GEM1050

DVD MECHANISM MODULE SECTION PARTS LIST

<u>Mark No.</u>	<u>Description</u>	<u>Part No.</u>	<u>Mark No.</u>	<u>Description</u>	<u>Part No.</u>
1	DVD Core Unit	CWX3401	50	Damper	CNV9061
2	Connector(CN1852)	CKS4817			
3	Connector(CN1101)	CKS4841	51	Damper	CNV9062
4	Connector(CN1301)	CKS5017	52	Collar	CNV8845
5	Connector(CN1201)	CKS5043	53	Lever	CNV8865
			54	Rack	CNV9063
6	Connector(CN1901)	CKS5054	55	Arm	CNV8867
7	Connector(CN2001)	CKS5054			
8	Screw	BMZ20P020FTC	56	Arm	CNV8868
9	Screw	BMZ20P025FNI	57	Arm	CNV9577
10	Screw	CBA1787	58	Arm	CNV8870
			59	Arm	CNV8871
11	Washer	CBF1038	60	Arm	CNV8872
12	Washer	CBF1064			
13	Spring	CBH2586	61	Arm	CNV8873
14	Spring	CBH2588	62	Gear	CNV8874
15	Spring	CBH2589	63	Gear	CNV8875
			64	Gear	CNV8876
16	Spring	CBH2590	65	Gear	CNV8877
17	Spring	CBH2591			
18	Spring	CBH2592	66	Gear	CNV8878
19	Spring	CBH2593	67	Gear	CNV8879
20	Spring	CBH2596	68	Lever	CNV8903
			69	Lever	CNV8904
21	Spring	CBH2597	70	Roller	CNV8905
22	Spring	CBL1726			
23	Spring	CBH2599	71	Lever	CNV8908
24	Spring	CBH2600	72	Arm	CNV8909
25	Spring	CBH2601	73	Guide	CNV9569
			74	Arm	CNV9116
26	Spring	CBH2926	75	Arm	CNV9117
27	Spring	CBH2604			
28	Spring	CBH2605	76	Compound(A) Unit	CWX3154
29	Spring	CBH2710	77	Compound(B) Unit	CWX3394
30	Spring	CBH2711	78	Arm Unit	CXC7872
			79	Frame Unit	CXC6442
31	Spring	CBH2935	80	Bracket Unit	CXB8685
32	Spring	CBH2890			
33	Spring	CBL1689	81	Chassis Unit	CXC6443
34	Spring	CBH2898	82	Motor Unit(LOAD)(M1)	CXC4912
35	Shaft	CLA4206	83	Motor(STEPPING)(M2)	CXM1364
			84	Arm Unit	CXC5486
36	Shaft	CLA4701	85	Roller Unit	CXC5708
37	Lever	CNC9933			
38	Holder	CND2643	86	Motor(SPDL)(M3)	CXM1362
39	Frame	CND2250	87	Screw	JFZ20P018FTC
40	Holder	CND2251	88	Washer	YE20FTC
			89	Pickup Unit(Service)	CXX2118
41	Holder	CND3936	90	Screw	IMS20P030FTC
42	Sheet	CNM6883			
43	Sheet	CNM8697	91	Collar	CNV9570
44	Sheet	CNM9658	92	Shaft	CLA4771
45	Sheet	CNM9407	93	Guide Unit	CXC8572
46	Cam	CNV7156			
47	Clamper	CNV7158			
48	Roller	CNV7165			
49	Rack	CNV7175			

# 12. ELECTRICAL PARTS LIST

**NOTE:**

- Parts whose parts numbers are omitted are subject to being not supplied.
- The part numbers shown below indicate chip components.

Chip Resistor

RS1/○S○○○J,RS1/○○S○○○J

Chip Capacitor (except for CQS.....)

CKS....., CCS....., CSZS.....

- The  $\triangle$  mark found on some component parts indicates the importance of the safety factor of the part. Therefore, when replacing, be sure to use parts of identical designation.
- Meaning of the figures and others in the parentheses in the parts list.

Example IC 301 is on the point (face A, 91 of x-axis, and 111 of y-axis) of the corresponding PC board.

IC 301 (A, 91, 111) IC NJM2068V

Circuit Symbol and No.      Part No.

**Unit Number : CWN2308(UC)**

**Unit Number : CWN2309(EW5)**

**Unit Name : CC Unit**

**Unit Number :**

**Unit Name : Keyboard Unit**

**Unit Number : CWX3533(UC)**

**Unit Number : CWX3534(EW5)**

**Unit Name : GPS Unit**

**Unit Number : CWN2304**

**Unit Name : Monitor Unit**

**Unit Number : CWN2310(UC)**

**Unit Name : Mother Tuner Unit(UC)**

**Unit Number : CWN2311(EW5)**

**Unit Name : Mother Unit(EW5)**

**Unit Number : CXX2316**

**Unit Name : Main PCB Unit(SERVICE)**

**Unit Number : CZW5029**

**Unit Name : Switch PCB Unit**

**Unit Number : CZW5028**

**Unit Name : Volume PCB Unit**

**Unit Number : CWX3401**

**Unit Name : DVD Core Unit**

**Unit Number : CWX3154**

**Unit Name : Compound Unit(A)**

**Unit Number : CWX3394**

**Unit Name : Compound Unit(B)**

Circuit Symbol and No.      Part No.

**A**

**Unit Number : CWN2308(UC)**

**Unit Number : CWN2309(EW5)**

**Unit Name : CC Unit**

**MISCELLANEOUS**

IC 1	(B,138,30) IC	K4S561632E-TL75
IC 2	(A,141,51) IC	UPD705103GM-180S1
IC 3	(B,154,30) IC	HY57V561620FLTP-H
IC 4	(A,157,21) IC	TC7SZ08FU
IC 5	(B,146,55) IC	PD6336C
IC 101	(A,135,18) IC	TC74LCX08FTS1
IC 102	(A,136,11) IC	TC7SH04FUS1
IC 103	(A,134,28) IC	TC74LCX245FTS1
IC 104	(A,143,28) IC	TC74LCX245FTS1
IC 105	(A,151,28) IC	TC74LCX245FTS1
IC 106	(A,159,28) IC	TC74LCX245FTS1
IC 107	(A,162,38) IC	TC74LCX541FTS1
IC 108	(A,162,46) IC	TC74LCX541FTS1
IC 109	(A,162,54) IC	TC74LCX541FTS1
IC 110	(B,117,40) IC(UC)	PEH155A8
	(B,117,40) IC(EW5)	PEH153A8
IC 111	(B,117,24) IC(UC)	PEH156A8
	(B,117,24) IC(EW5)	PEH154A8
IC 112	(B,106,62) IC	TC7SH00FUS1
IC 113	(B,118,57) IC	M5M5V216ATP-70HI
IC 114	(B,106,59) IC	TC7SH08FUS1
IC 201	(A,104,25) IC	MB86291APFVS-G-DL
IC 301	(A,144,19) IC	M51957BFP
IC 302	(A,141,11) IC	TC7SH08FUS1
IC 304	(A,108,53) IC	AK4388VT
IC 309	(A,121,49) IC	TC7SH08FUS1
IC 601	(A,44,98) IC	PEG356A
IC 602	(B,43,98) IC	TC74VHCT08AFTS1
IC 603	(B,52,100) IC	TC7SH08FUS1
IC 604	(A,125,88) IC	TC7SH08FUS1
IC 605	(A,130,88) IC	TC7SH08FUS1
IC 608	(B,53,104) IC	TC7SH08FUS1
IC 609	(B,60,93) IC	TC7S32FU
IC 611	(B,43,103) IC	TC7S04FU

<u>Circuit Symbol and No.</u>		<u>Part No.</u>	<u>Circuit Symbol and No.</u>		<u>Part No.</u>
IC 612	(B,49,91) IC	S-80840CNMC-B8Z	Q 829	(B,66,106) Transistor	2SB1184F5
IC 613	(B,47,103) IC	TC7SH00FUS1	Q 830	(B,29,86) Transistor	UMF23N
IC 691	(B,162,140) IC	UPD4721GSS1	Q 832	(A,115,137) FET	RSQ030P03
IC 751	(B,96,101) IC	CXA1645M	Q 833	(B,88,137) Transistor	2SA1797
IC 752	(B,115,121) IC	NJM2137V	Q 834	(A,91,119) Chip Transistor	DTC114EUA
IC 753	(B,87,117) IC	NJM2246M	Q 835	(B,116,136) Transistor	2SC4081
IC 754	(B,78,119) IC	NJM2561F1	Q 837	(B,39,118) Transistor	2SC4081
IC 755	(B,106,115) IC	NJM2561F1	Q 838	(A,112,134) Digital Transistor	DTC144EUA
IC 756	(B,98,116) IC	NJM2235V	Q 840	(B,67,136) Transistor	2SA1576A
IC 757	(B,86,98) L-MOS And Gate	TC7SET08FUS1	Q 843	(B,65,94) Transistor	2SD1767
IC 758	(B,84,92) IC	TC7SZ08FU	Q 901	(B,62,153) Transistor	2SA1576A
IC 803	(B,31,58) IC	TPS5102IDBT	Q 951	(A,74,95) Chip Transistor	DTC114EUA
IC 804	(B,66,58) IC	TPS5102IDBT	Q 961	(A,157,99) Transistor	2SA1576A
IC 805	(B,14,64) IC	TPS5103IDB	Q 962	(A,155,95) Digital Transistor	DTC143EUA
IC 806	(A,73,92) IC	S-L2980A33MC-C6S	Q 963	(A,164,101) Transistor	DTC144TUA
IC 807	(A,62,111) IC	TPD1018F	Q 964	(A,165,96) Chip Transistor	DTA114EUA
IC 808	(B,59,100) IC	S-812C52AUA-C3G	Q 965	(A,162,96) Chip Transistor	DTC114EUA
IC 810	(B,33,85) IC	S-812C50AUA-C3E	Q 971	(B,16,119) Transistor	IMX2
IC 861	(B,33,31) IC	BA00DD0WHFP	Q 972	(B,12,109) Transistor	IMD3A
IC 2401	(A,135,106) IC	PML009A	Q 973	(B,7,118) Transistor	2SD1767
IC 2403	(B,153,86) IC	TDA7052BT	Q 2401	(B,124,119) Transistor	UMD2N
IC 2404	(B,146,109) IC	NJM2058V	Q 2402	(B,127,133) Transistor	DTC323TU
IC 2405	(A,33,137) IC	PAL007C	Q 2403	(B,127,127) Transistor	DTC323TU
IC 2407	(B,133,130) IC	NJM3403AV	Q 2410	(B,124,116) Transistor	UMD2N
IC 2408	(B,132,118) IC	NJM2107F	Q 2415	(B,134,107) Transistor	UMD2N
IC 2551	(B,9,142) L-MOS And Gate	TC7SET08FUS1	Q 2416	(B,134,111) Transistor	UMD2N
IC 2553	(B,115,109) IC	NJM2068V	Q 2417	(B,138,106) Transistor	DTC323TU
IC 2701	(B,40,21) IC	TC7SH08FUS1	Q 2418	(B,138,112) Transistor	DTC323TU
IC 2702	(B,37,88) IC	TC7SH14FUS1	Q 2419	(B,21,113) Transistor	UMD2N
Q 201	(A,125,11) Transistor	UMD2N	Q 2420	(B,141,85) Chip Transistor	DTC114EUA
Q 301	(A,150,21) Chip Transistor	DTC114EUA	Q 2421	(B,32,110) Transistor	UMD2N
Q 601	(B,150,134) Transistor	2SC4081	Q 2422	(B,26,111) Transistor	2SC4081
Q 602	(B,51,84) Transistor	UMD2N	Q 2427	(B,24,122) Chip Transistor	DTC124EUA
Q 621	(B,40,108) Transistor	IMD2A	Q 2428	(B,28,125) Chip Transistor	DTC124EUA
Q 681	(A,117,99) Transistor	2SA1576A	Q 2511	(B,32,113) Transistor	UMD2N
Q 691	(B,164,152) Transistor	2SD1767	Q 2610	(B,33,119) Transistor	UMD2N
Q 692	(B,154,148) Transistor	IMD3A	Q 2709	(A,38,11) Digital Transistor	DTC144EUA
Q 701	(A,25,110) Transistor	UMF23N	Q 2710	(A,38,17) Transistor	2SA1577
Q 731	(B,68,113) Transistor	IMD3A	Q 2711	(A,42,9) Transistor	UMH2N
Q 741	(B,82,108) Transistor	2SA1577	Q 2712	(A,41,17) Transistor	2SA1577
Q 742	(B,76,110) Transistor	2SC4081	D 610	(B,53,88) Diode	1SS355
Q 754	(A,75,104) Transistor	2SC4081	D 611	(B,48,84) Diode	DAN202U
Q 805	(A,122,137) FET	RSQ030P03	D 691	(A,154,151) Diode	HZU8R2(B1)
Q 806	(A,118,134) Digital Transistor	DTC144EUA	D 692	(A,171,135) Diode	EDZ20(B)
Q 807	(A,35,80) Transistor	2SB1260	D 693	(A,171,132) Diode	EDZ20(B)
Q 808	(B,43,85) Chip Transistor	DTC114EUA	D 694	(A,165,134) Diode	EDZ20(B)
Q 809	(A,88,50) Transistor	2SA1797	D 695	(A,165,131) Diode	EDZ20(B)
Q 810	(A,91,57) Chip Transistor	DTC114EUA	D 696	(A,169,135) Diode	EDZ20(B)
Q 811	(B,12,50) FET	SP8K2	D 697	(A,169,132) Diode	EDZ20(B)
Q 814	(B,61,44) Chip Transistor	DTC114EUA	D 698	(A,164,134) Diode	EDZ20(B)
Q 815	(B,43,68) FET	SP8K2	D 699	(A,164,131) Diode	EDZ20(B)
Q 816	(B,78,67) FET	SP8K2	D 700	(A,167,134) Diode	UDZS6R8(B)
Q 819	(B,43,48) FET	SP8K2	D 731	(B,142,143) Diode	EDZ6R8(B)
Q 820	(B,78,49) FET	SP8K2	D 732	(A,133,136) Diode	EDZ6R8(B)
Q 821	(B,84,149) Transistor	2SA1834F5	D 733	(A,135,136) Diode	EDZ6R8(B)
Q 822	(B,90,154) Chip Transistor	DTC114EUA	D 734	(A,136,136) Diode	EDZ6R8(B)
Q 823	(B,110,135) Transistor	2SC4081	D 735	(A,138,136) Diode	EDZ6R8(B)
Q 824	(B,101,135) Transistor	2SB1184F5	D 736	(B,147,151) Diode	MALS068X
Q 825	(B,113,135) Transistor	2SC4081	D 737	(B,147,136) Diode	AVR-M1608C080MTAAB
Q 828	(B,64,115) Transistor	IMX1	D 738	(B,143,138) Diode	AVR-M1608C080MTAAB

**Circuit Symbol and No.****Part No.****Circuit Symbol and No.****Part No.**

D 739 (B,153,140) Diode AVR-M1608C080MTAAB  
 D 740 (B,150,140) Diode AVR-M1608C080MTAAB  
 D 741 (B,146,151) Diode MALS068X

D 2461 (B,137,85) Diode DAN202U  
 D 2551 (B,6,145) Diode EDZ6R8(B)  
 D 2552 (B,13,144) Diode EDZ6R8(B)

A

D 742 (A,160,140) Diode EDZ6R8(B)  
 D 743 (A,160,139) Diode EDZ6R8(B)  
 D 744 (A,161,138) Diode EDZ6R8(B)  
 D 745 (B,133,143) Diode EDZ6R8(B)  
 D 746 (B,137,142) Diode EDZ6R8(B)

D 2701 (B,53,11) Diode Network DA204U  
 D 2702 (B,61,7) Diode Network DA204U  
 D 2704 (B,46,16) Diode UDZS6R8(B)  
 D 2705 (B,48,23) Diode Network DA204U  
 D 2706 (B,48,28) Diode UMZ6R8EN

D 747 (B,139,140) Diode EDZ6R8(B)  
 D 748 (B,140,143) Diode EDZ6R8(B)  
 D 749 (A,140,136) Diode EDZ6R8(B)  
 D 750 (A,142,137) Diode EDZ6R8(B)  
 D 751 (B,132,143) Diode EDZ6R8(B)

D 2707 (B,37,11) Diode UMZ6R8EN  
 D 2800 (A,162,135) Diode RB500V-40  
 L 1 (B,131,17) Inductor CTF1558  
 L 2 (B,146,18) Inductor CTF1558  
 L 3 (A,157,17) Inductor CTF1410

B

D 752 (A,130,134) Diode UDZS27(B)  
 D 753 (B,146,141) Diode EDZ6R8(B)  
 D 754 (B,142,141) Diode EDZ6R8(B)  
 D 801 (A,62,135) Diode 5KP22A  
 D 802 (B,38,56) Diode RB400D

L 5 (A,138,33) Inductor CTF1556  
 L 6 (A,126,34) Inductor CTF1295  
 L 7 (B,161,54) Inductor CTF1558  
 L 8 (A,147,68) Inductor CTF1556  
 L 101 (A,131,16) Chip Ferrite Bead CTF1557

D 803 (B,38,60) Diode RB400D  
 D 804 (B,73,56) Diode RB400D  
 D 805 (B,73,60) Diode RB400D  
 D 806 (B,8,59) Diode RB400D  
 D 807 (A,39,56) Diode RB060L-40

L 102 (A,133,12) Chip Ferrite Bead CTF1557  
 L 103 (A,138,28) Chip Ferrite Bead CTF1557  
 L 104 (A,147,27) Chip Ferrite Bead CTF1557  
 L 105 (A,155,27) Chip Ferrite Bead CTF1557  
 L 106 (A,164,27) Chip Ferrite Bead CTF1557

C

D 808 (A,39,60) Diode RB060L-40  
 D 809 (A,74,55) Diode RB060L-40  
 D 810 (A,74,60) Diode RB060L-40  
 D 812 (B,38,113) Diode HZU6R8(B2)  
 D 814 (A,106,132) Diode KS926S2

L 107 (A,162,33) Chip Ferrite Bead CTF1557  
 L 108 (A,162,42) Chip Ferrite Bead CTF1557  
 L 109 (A,162,50) Chip Ferrite Bead CTF1557  
 L 110 (B,105,38) Inductor CTF1556  
 L 111 (B,105,22) Inductor CTF1556

D 815 (B,107,129) Diode HZU7R5(B3)  
 D 816 (B,58,118) Diode UDZS18(B)  
 D 817 (B,70,93) Diode UDZS20(B)  
 D 818 (A,18,50) Diode RB060L-40  
 D 820 (B,60,130) Diode S1G-6904G2P

L 112 (B,106,55) Inductor CTF1556  
 L 113 (B,108,60) Chip Ferrite Bead CTF1557  
 L 114 (B,108,55) Chip Ferrite Bead CTF1557  
 L 201 (A,125,29) Inductor CTF1556  
 L 203 (A,85,10) Inductor CTF1556

D

D 821 (B,63,136) Diode 1SS355  
 D 822 (B,62,133) Diode 1SS355  
 D 828 (B,50,133) Diode S1G-6904G2P  
 D 829 (B,56,121) Diode RB500V-40  
 D 830 (B,104,129) Diode RB500V-40

L 204 (A,104,45) Inductor CTF1488  
 L 205 (A,123,21) Inductor CTF1556  
 L 206 (A,88,45) Inductor CTF1556  
 L 207 (A,94,43) Inductor CTF1379  
 L 301 (A,140,19) Chip Ferrite Bead CTF1557

D 831 (B,97,141) Diode RB500V-40  
 D 832 (A,7,67) Diode S1G-6904G2P  
 D 833 (B,56,150) Diode 1SS400  
 D 834 (B,20,82) Diode RB060L-40  
 D 861 (A,40,34) Diode RB060L-40

L 302 (A,144,13) Chip Ferrite Bead CTF1557  
 L 305 (A,102,54) Inductor CTF1556  
 L 312 (A,120,52) Inductor CTF1410  
 L 601 (B,51,98) Inductor CTF1334  
 L 602 (B,43,89) Inductor CTF1334

E

D 901 (B,62,151) Diode DAN202U  
 D 961 (A,159,100) Diode HZU8R2(B3)  
 D 971 (B,12,118) Diode RB751V-40  
 D 972 (B,12,120) Diode RB751V-40  
 D 973 (B,13,115) Diode HZU8R2(B1)

L 603 (B,42,93) Inductor CTF1334  
 L 604 (A,43,88) Inductor CTF1334  
 L 605 (B,155,137) Inductor CTF1334  
 L 606 (A,125,91) Inductor CTF1334  
 L 607 (A,130,86) Inductor CTF1334

D 974 (B,11,122) Diode UDZS10(B)  
 D 2404 (B,108,97) Diode DAN202U  
 D 2405 (B,127,130) Diode DAP202U  
 D 2406 (A,133,122) Diode 1SS355  
 D 2407 (A,133,128) Diode UDZS4R7(B)

L 611 (B,55,109) Inductor CTF1334  
 L 612 (B,57,95) Inductor CTF1334  
 L 613 (B,43,106) Inductor CTF1334  
 L 616 (B,47,106) Inductor CTF1334  
 L 617 (B,48,87) Inductor CTF1334

F

D 2409 (B,22,111) Diode UDZS8R2(B)  
 D 2410 (B,23,119) Diode DAN202U  
 D 2411 (B,26,118) Diode DAN202U  
 D 2412 (B,33,116) Diode DAN202U  
 D 2413 (B,27,122) Diode DAN202U

L 619 (A,128,83) Inductor CTF1306  
 L 620 (A,127,80) Inductor CTF1306  
 L 621 (A,128,80) Inductor CTF1306  
 L 622 (A,125,83) Inductor CTF1384  
 L 623 (A,125,80) Inductor CTF1387

D 2415 (B,129,107) Diode DAN202U  
 D 2416 (B,129,111) Diode DAN202U

L 624 (A,124,83) Inductor CTF1334  
 L 625 (A,97,82) Inductor CTF1306

<u>Circuit Symbol and No.</u>			<u>Part No.</u>	<u>Circuit Symbol and No.</u>			<u>Part No.</u>
L 627	(A,127,83)	Inductor	CTF1306	L 708	(A,21,112)	Inductor	CTF1306
L 628	(A,123,83)	Inductor	CTF1306	L 709	(A,22,108)	Inductor	CTF1306
L 629	(A,124,80)	Inductor	CTF1306				
L 631	(A,121,80)	Inductor	CTF1334	L 710	(A,23,112)	Inductor	CTF1306
L 632	(A,120,83)	Inductor	CTF1334	L 711	(A,24,114)	Inductor	CTF1306
L 633	(A,120,80)	Inductor	CTF1334	L 712	(A,29,122)	Inductor	CTF1629
L 634	(A,118,83)	Inductor	CTF1334	L 713	(A,103,124)	Inductor	CTF1334
L 635	(A,121,83)	Inductor	CTF1306	L 714	(A,106,124)	Inductor	CTF1334
L 636	(A,103,87)	Inductor	CTF1334	L 716	(A,92,127)	Inductor	CTF1306
L 637	(A,118,80)	Inductor	CTF1306	L 717	(A,101,135)	Inductor	CTF1306
L 638	(A,117,83)	Inductor	CTF1334	L 718	(B,157,143)	Inductor	CTF1410
L 640	(A,116,83)	Inductor	CTF1306	L 719	(B,170,145)	Inductor	CTF1334
L 643	(A,31,122)	Inductor	CTF1306	L 720	(A,92,130)	Inductor	CTF1629
L 644	(A,114,83)	Inductor	CTF1306	L 721	(A,53,119)	Inductor	CTF1306
L 645	(A,114,80)	Inductor	CTF1306	L 722	(A,53,122)	Inductor	CTF1306
L 646	(A,113,83)	Inductor	CTF1334	L 723	(A,35,113)	Inductor	CTF1306
L 647	(A,113,80)	Inductor	CTF1334	L 724	(A,39,113)	Inductor	CTF1306
L 648	(A,111,80)	Inductor	CTF1378	L 725	(A,41,113)	Inductor	CTF1306
L 649	(A,109,80)	Inductor	CTF1378	L 727	(A,37,113)	Inductor	CTF1306
L 650	(A,108,80)	Inductor	CTF1378	L 728	(A,44,113)	Inductor	CTF1306
L 651	(A,104,80)	Inductor	CTF1378	L 729	(A,42,122)	Inductor	CTF1306
L 652	(A,102,83)	Inductor	CTF1334	L 730	(A,42,113)	Inductor	CTF1306
L 653	(A,102,80)	Inductor	CTF1467	L 732	(A,157,139)	Inductor	CTF1295
L 660	(B,24,91)	Inductor	CTF1464	L 733	(A,156,141)	Inductor	CTF1295
L 662	(B,23,98)	Inductor	CTF1306	L 734	(A,154,143)	Inductor	CTF1295
L 663	(B,22,97)	Inductor	CTF1306	L 735	(B,142,147)	Inductor	CTF1295
L 666	(B,14,87)	Inductor	CTF1306	L 736	(B,140,146)	Inductor	CTF1295
L 667	(B,14,89)	Inductor	CTF1306	L 737	(B,138,143)	Inductor	CTF1295
L 668	(B,14,90)	Inductor	CTF1306	L 738	(B,135,143)	Inductor	CTF1295
L 669	(B,14,92)	Inductor	CTF1306	L 739	(B,135,147)	Inductor	CTF1295
L 670	(B,15,95)	Inductor	CTF1306	L 740	(B,133,147)	Inductor	CTF1410
L 674	(B,14,93)	Inductor	CTF1306	L 741	(A,142,139)	Inductor	CTF1295
L 677	(B,19,95)	Inductor	CTF1473	L 742	(A,139,139)	Inductor	CTF1295
L 679	(A,27,81)	Inductor	CTF1453	L 743	(B,79,107)	Inductor	CTF1410
L 680	(A,27,86)	Inductor	CTF1473	L 744	(A,116,80)	Inductor	CTF1334
L 681	(A,52,116)	Inductor	CTF1306	L 745	(A,148,140)	Inductor	CTF1334
L 682	(A,52,115)	Inductor	CTF1386	L 746	(A,150,140)	Inductor	CTF1334
L 683	(A,49,122)	Inductor	CTF1386	L 748	(A,145,140)	Inductor	CTF1334
L 684	(A,51,113)	Inductor	CTF1386	L 749	(A,147,140)	Inductor	CTF1334
L 685	(A,48,113)	Inductor	CTF1386	L 751	(B,85,102)	Inductor	CTF1334
L 686	(A,79,116)	Inductor	CTF1306	L 753	(B,94,111)	Inductor	LCTAW680J3225
L 687	(A,76,116)	Inductor	CTF1334	L 754	(B,90,94)	Inductor	CTF1334
L 688	(A,45,113)	Inductor	CTF1386	L 755	(A,101,121)	Inductor	CTF1334
L 689	(A,53,121)	Inductor	CTF1306	L 759	(A,110,120)	Inductor	CTF1334
L 690	(A,53,118)	Inductor	CTF1334	L 760	(B,83,88)	Inductor	CTF1334
L 691	(A,46,122)	Inductor	CTF1334	L 761	(B,93,118)	Inductor	LCYC2R2K1608
L 692	(A,91,121)	Inductor	CTF1334	L 762	(B,108,115)	Inductor	LCYC2R2K1608
L 693	(A,43,122)	Inductor	CTF1384	L 763	(B,94,114)	Inductor	LCYC2R2K1608
L 694	(A,91,123)	Inductor	CTF1334	L 765	(A,76,100)	Inductor	LCYC2R2K1608
L 695	(B,46,120)	Inductor	CTF1463	L 766	(B,113,116)	Inductor	LCYC2R2K1608
L 696	(A,102,123)	Inductor	CTF1334	L 771	(A,131,138)	Inductor	CTF1453
L 697	(A,106,123)	Inductor	CTF1334	L 772	(A,128,138)	Inductor	CTF1453
L 698	(A,40,122)	Inductor	CTF1629	L 793	(A,130,80)	Inductor	CTF1334
L 700	(A,17,114)	Inductor	CTF1306	L 801	(A,11,53)	Inductor	CTH1254
L 701	(A,31,110)	Inductor	CTF1629	L 802	(A,15,68)	Inductor	CTH1257
L 703	(A,17,113)	Inductor	CTF1306	L 803	(A,40,48)	Inductor	CTH1254
L 704	(A,17,111)	Inductor	CTF1306	L 804	(A,40,67)	Inductor	CTH1255
L 705	(A,17,110)	Inductor	CTF1306	L 805	(A,74,48)	Inductor	CTH1257
L 706	(A,17,108)	Inductor	CTF1306	L 806	(A,75,67)	Inductor	CTH1257
L 707	(A,20,108)	Inductor	CTF1306	L 807	(A,87,147)	Inductor	CTH1262
				L 808	(A,26,65)	Inductor	CTH1253

**Circuit Symbol and No.****Part No.****Circuit Symbol and No.****Part No.**

L 809 (A,62,63) Inductor CTH1253  
 L 810 (A,89,135) Choke Coil 100  $\mu$ H CTH1315

EF731 (B,147,144) EMI Filter CCG1082  
 EF732 (B,145,148) EMI Filter CCG1082

A L 811 (B,57,134) Inductor CTF1556  
 L 812 (A,65,71) Inductor CTF1453  
 L 815 (B,60,136) Inductor CTF1556  
 L 817 (A,39,79) Inductor LCKAW1R0J2520  
 L 818 (B,26,82) Inductor LCYA220J2520

EF733 (B,140,136) EMI Filter CCG1067  
 EF734 (B,141,134) EMI Filter CCG1067  
 EF735 (B,150,138) EMI Filter CCG1067  
 EF736 (B,152,138) EMI Filter CCG1067  
 EF801 (A,96,139) EMI Filter CCG1172

L 901 (B,60,148) Inductor LCTC2R2K1608  
 L 982 (B,73,32) Inductor CTF1463  
 L 983 (B,62,32) Inductor CTF1463  
 L 984 (A,91,79) Inductor CTF1463  
 L 985 (A,91,86) Inductor CTF1463

EF802 (A,77,143) EMI Filter CCG1172  
 EF803 (A,79,152) EMI Filter CCG1172

**RESISTORS**

L 999 (B,26,94) Inductor CTF1463  
 B L 2402 (B,115,91) Inductor CTF1306  
 L 2404 (A,147,104) Inductor LCTAW2R2J2520  
 L 2551 (B,12,141) Inductor CTF1379  
 L 2554 (B,35,110) Inductor CTF1334

R 1 (B,130,34) RS1/16S0R0J  
 R 3 (B,130,37) RS1/16S0R0J  
 R 5 (A,114,59) RS1/16S473J  
 R 6 (A,120,63) RS1/16S473J  
 R 7 (A,156,48) RS1/16S220J

L 2555 (B,37,110) Inductor CTF1334  
 L 2701 (B,48,16) Chip Ferrite Bead CTF1399  
 L 2702 (B,38,21) Inductor CTF1334  
 L 2703 (B,41,88) Inductor CTF1334  
 L 2706 (B,49,12) Inductor CTF1306

R 8 (A,119,70) RS1/16S473J  
 R 10 (A,151,70) RS1/16S104J  
 R 11 (A,154,70) RAB4C473J  
 R 12 (A,144,67) RS1/16S105J  
 R 13 (A,142,67) RS1/16S151J

L 2707 (B,50,20) Inductor CTF1306  
 L 2709 (B,55,28) Inductor CTF1306  
 C L 2710 (B,54,25) Inductor CTF1306  
 L 2711 (B,48,13) Inductor CTF1306  
 L 2712 (B,35,16) Inductor CTF1306

R 14 (B,146,34) RS1/16S0R0J  
 R 16 (B,146,37) RS1/16S0R0J  
 R 19 (A,120,68) RS1/16S473J  
 R 20 (A,134,69) RS1/16S101J  
 R 21 (A,138,66) RS1/16S101J

L 2713 (B,34,11) Inductor CTF1306  
 L 2714 (A,41,21) Inductor CTF1334  
 L 2715 (A,38,21) Inductor CTF1334  
 L 2716 (B,52,22) Inductor CTF1334  
 L 2717 (B,58,10) Inductor CTF1306

R 22 (A,136,69) RS1/16S101J  
 R 23 (B,136,59) RS1/16S105J  
 R 24 (B,136,62) RS1/16S151J  
 R 25 (A,133,69) RS1/16S101J  
 R 26 (A,137,69) RS1/16S101J

L 2718 (B,39,15) Inductor CTF1306  
 L 2800 (B,156,133) Inductor CTF1305  
 TH601 (A,137,88) Thermistor CCX1056  
 D X 1 (A,142,72) Radiator 30.000 MHz CSS1633  
 X 2 (B,134,61) Radiator 33.000 MHz CSS1634

R 27 (A,134,66) RS1/16S101J  
 R 28 (A,136,66) RS1/16S101J  
 R 29 (A,132,66) RS1/16S101J  
 R 30 (A,131,66) RS1/16S101J  
 R 31 (A,131,69) RS1/16S101J

X 3 (B,160,49) Radiator 33.868 8 MHz CSS1551  
 X 202 (A,126,21) Radiator 14.318 18 MHz CSS1632  
 X 601 (A,46,88) Radiator 10.0 MHz CSS1577  
 VR741 (A,78,111) Semi-fixed 2.2 kohm(B) CCP1392  
 $\Delta$ FU691 (B,165,147) Fuse 1 A CEK1254

R 32 (B,136,53) RS1/16S473J  
 R 33 (A,130,69) RS1/16S473J  
 R 34 (B,157,50) RS1/16S223J  
 R 35 (A,126,48) RS1/16S104J  
 R 36 (A,125,59) RS1/16S101J

$\Delta$ FU801 (A,63,118) Fuse 1.25 A CEK1255  
 $\Delta$ FU802 (A,8,61) Fuse 4 A CEK1260  
 $\Delta$ FU803 (A,69,119) Fuse 400 mA CEK1250  
 $\Delta$ FU804 (A,24,72) Fuse 2.5 A CEK1258  
 E  $\Delta$ FU805 (A,61,71) Fuse 2.5 A CEK1258

R 37 (A,125,60) RS1/16S101J  
 R 38 (A,125,61) RS1/16S101J  
 R 39 (A,125,63) RS1/16S101J  
 R 40 (A,125,46) RS1/16S470J  
 R 45 (B,129,55) RS1/16S104J

$\Delta$ FU806 (A,58,119) Fuse 1 A CEK1254  
 $\Delta$ FU807 (A,41,84) Fuse 1 A CEK1254  
 $\Delta$ FU808 (A,11,109) Fuse 4 A CEK1260  
 $\Delta$ FU809 (A,125,135) Fuse 2 A CEK1257  
 $\Delta$ FU810 (A,103,140) Fuse 1.25 A CEK1255

R 46 (B,130,61) RS1/16S104J  
 R 47 (B,159,47) RS1/16S104J  
 R 48 (B,158,65) RS1/16S104J  
 R 49 (B,160,65) RS1/16S104J  
 R 50 (B,161,65) RS1/16S104J

$\Delta$ FU811 (A,83,72) Fuse 2 A CEK1257  
 $\Delta$ FU812 (A,117,141) Fuse 250 mA CEK1248  
 $\Delta$ FU813 (A,83,47) Fuse 2.5 A CEK1258  
 $\Delta$ FU814 (B,61,107) Fuse 250 mA CEK1248  
 F  $\Delta$ FU821 (A,19,79) Fuse 3.15 A CEK1259

R 52 (B,83,26) RS1/16SS101J  
 R 53 (B,83,27) RS1/16SS101J  
 R 54 (B,83,28) RS1/16SS101J  
 R 55 (B,83,30) RS1/16SS101J  
 R 57 (B,83,29) RS1/16SS101J

$\Delta$ FU822 (A,64,80) Fuse 1 A CEK1254  
 $\Delta$ FU823 (A,48,71) Fuse 2 A CEK1257  
 $\Delta$ FU971 (A,10,120) Fuse 400 mA CEK1250

R 59 (B,82,31) RS1/16SS101J  
 R 60 (B,83,32) RS1/16SS101J  
 R 61 (A,59,35) RS1/16SS0R0J

5		6		7		8	
<u>Circuit Symbol and No.</u>		<u>Part No.</u>		<u>Circuit Symbol and No.</u>		<u>Part No.</u>	
R 62	(B,83,34)	RS1/16SS101J	RS1/16SS101J	R 178	(A,120,67)	RS1/16S473J	RS1/16S473J
R 63	(B,83,33)	RS1/16SS101J	RS1/16SS101J	R 180	(A,148,66)	RS1/16S101J	RS1/16S101J
R 64	(B,85,38)	RS1/16SS101J	RS1/16SS101J	R 181	(A,118,56)	RS1/16S473J	RS1/16S473J
R 65	(B,83,36)	RS1/16SS101J	RS1/16SS101J	R 182	(A,120,56)	RS1/16S473J	RS1/16S473J
R 66	(A,58,41)	RS1/16SS101J	RS1/16SS101J	R 183	(A,118,62)	RS1/16S473J	RS1/16S473J
R 67	(A,59,41)	RS1/16SS101J	RS1/16SS101J	R 184	(A,118,59)	RS1/16S473J	RS1/16S473J
R 68	(A,60,41)	RS1/16SS101J	RS1/16SS101J	R 185	(A,115,62)	RS1/16S473J	RS1/16S473J
R 69	(A,61,41)	RS1/16SS101J	RS1/16SS101J	R 186	(A,116,59)	RS1/16S473J	RS1/16S473J
R 70	(A,62,41)	RS1/16SS101J	RS1/16SS101J	R 187	(A,115,59)	RS1/16S473J	RS1/16S473J
R 71	(A,63,41)	RS1/16SS101J	RS1/16SS101J	R 188	(A,110,68)	RS1/16S473J	RS1/16S473J
R 72	(A,64,41)	RS1/16SS101J	RS1/16SS101J	R 189	(A,113,68)	RS1/16S473J	RS1/16S473J
R 73	(A,65,41)	RS1/16SS101J	RS1/16SS101J	R 190	(A,111,68)	RS1/16S473J	RS1/16S473J
R 74	(A,66,41)	RS1/16SS101J	RS1/16SS101J	R 191	(B,129,64)	RS1/16S473J	RS1/16S473J
R 75	(A,67,41)	RS1/16SS101J	RS1/16SS101J	R 192	(A,116,62)	RS1/16S473J	RS1/16S473J
R 76	(A,68,41)	RS1/16SS101J	RS1/16SS101J	R 193	(A,126,65)	RS1/16S473J	RS1/16S473J
R 77	(A,69,41)	RS1/16SS101J	RS1/16SS101J	R 194	(A,149,68)	RS1/16S390J	RS1/16S390J
R 78	(A,70,41)	RS1/16SS101J	RS1/16SS101J	R 196	(A,115,68)	RS1/16S473J	RS1/16S473J
R 79	(A,71,41)	RS1/16SS101J	RS1/16SS101J	R 198	(A,127,64)	RS1/16S473J	RS1/16S473J
R 80	(A,72,41)	RS1/16SS101J	RS1/16SS101J	R 201	(A,123,41)	RN1/16SE1502D	RN1/16SE1502D
R 81	(A,73,41)	RS1/16SS101J	RS1/16SS101J	R 202	(A,123,39)	RN1/16SE1202D	RN1/16SE1202D
R 82	(A,74,41)	RS1/16SS101J	RS1/16SS101J	R 210	(A,102,42)	RS1/16S104J	RS1/16S104J
R 84	(B,83,37)	RS1/16SS562J	RS1/16SS562J	R 211	(A,100,42)	RS1/16S104J	RS1/16S104J
R 85	(B,84,31)	RS1/16SS103J	RS1/16SS103J	R 212	(A,93,43)	RS1/16S104J	RS1/16S104J
R 87	(B,159,63)	RS1/16S104J	RS1/16S104J	R 213	(A,92,43)	RS1/16S104J	RS1/16S104J
R 88	(B,131,48)	RS1/16S104J	RS1/16S104J	R 217	(A,124,36)	RS1/16S272J	RS1/16S272J
R 89	(B,135,46)	RS1/16S0R0J	RS1/16S0R0J	R 220	(A,125,8)	RS1/16S223J	RS1/16S223J
R 90	(B,135,45)	RS1/16S0R0J	RS1/16S0R0J	R 221	(A,125,26)	RS1/16S105J	RS1/16S105J
R 93	(B,134,44)	RS1/16S153J	RS1/16S153J	R 222	(A,125,17)	RS1/16S151J	RS1/16S151J
R 94	(B,137,44)	RS1/16S153J	RS1/16S153J	R 224	(A,82,16)	RS1/16S0R0J	RS1/16S0R0J
R 95	(B,133,49)	RS1/16S153J	RS1/16S153J	R 225	(A,120,9)	RS1/16S104J	RS1/16S104J
R 96	(B,133,48)	RS1/16S153J	RS1/16S153J	R 226	(A,122,9)	RS1/16S104J	RS1/16S104J
R 97	(A,122,56)	RS1/16S473J	RS1/16S473J	R 227	(A,82,19)	RS1/16S104J	RS1/16S104J
R 98	(A,158,61)	RS1/16S473J	RS1/16S473J	R 228	(A,84,19)	RS1/16S104J	RS1/16S104J
R 101	(B,105,36)	RS1/16S473J	RS1/16S473J	R 229	(B,118,16)	RS1/16S560J	RS1/16S560J
R 102	(B,105,21)	RS1/16S473J	RS1/16S473J	R 230	(A,84,13)	RS1/16S104J	RS1/16S104J
R 103	(B,104,59)	RS1/16S473J	RS1/16S473J	R 232	(A,85,13)	RS1/16S104J	RS1/16S104J
R 104	(A,135,22)	RS1/16S220J	RS1/16S220J	R 237	(B,116,16)	RS1/16S104J	RS1/16S104J
R 151	(B,130,32)	RS1/16S0R0J	RS1/16S0R0J	R 238	(B,117,16)	RS1/16S330J	RS1/16S330J
R 152	(B,162,34)	RS1/16S0R0J	RS1/16S0R0J	R 240	(A,118,8)	RS1/16S104J	RS1/16S104J
R 153	(B,145,44)	RS1/16S471J	RS1/16S471J	R 301	(A,139,19)	RS1/16S123J	RS1/16S123J
R 154	(A,119,56)	RS1/16S473J	RS1/16S473J	R 302	(A,139,21)	RS1/16S103J	RS1/16S103J
R 155	(A,116,56)	RS1/16S473J	RS1/16S473J	R 303	(A,140,16)	RS1/16S473J	RS1/16S473J
R 156	(A,109,66)	RS1/16S473J	RS1/16S473J	R 320	(A,110,57)	RS1/16S103J	RS1/16S103J
R 158	(A,121,52)	RS1/16S473J	RS1/16S473J	R 321	(A,109,59)	RS1/16S0R0J	RS1/16S0R0J
R 159	(B,129,57)	RS1/16S473J	RS1/16S473J	R 329	(A,113,50)	RS1/16SS821J	RS1/16SS821J
R 160	(A,122,61)	RS1/16S473J	RS1/16S473J	R 330	(A,113,53)	RS1/16SS221J	RS1/16SS221J
R 161	(A,109,68)	RS1/16S103J	RS1/16S103J	R 331	(A,113,52)	RS1/16SS221J	RS1/16SS221J
R 162	(B,134,57)	RS1/16S473J	RS1/16S473J	R 332	(A,113,51)	RS1/16SS472J	RS1/16SS472J
R 163	(A,125,58)	RS1/16S560J	RS1/16S560J	R 349	(B,159,44)	RS1/16S473J	RS1/16S473J
R 164	(A,115,66)	RS1/16S473J	RS1/16S473J	R 350	(B,151,43)	RS1/16S473J	RS1/16S473J
R 165	(A,125,69)	RS1/16S473J	RS1/16S473J	R 356	(A,113,56)	RS1/16S0R0J	RS1/16S0R0J
R 166	(A,107,68)	RS1/16S473J	RS1/16S473J	R 360	(B,100,60)	RS1/16SS473J	RS1/16SS473J
R 167	(A,120,64)	RS1/16S473J	RS1/16S473J	R 361	(B,100,47)	RS1/16SS473J	RS1/16SS473J
R 170	(A,110,66)	RS1/16S473J	RS1/16S473J	R 362	(B,100,59)	RS1/16SS473J	RS1/16SS473J
R 171	(A,113,66)	RS1/16S473J	RS1/16S473J	R 363	(B,100,48)	RS1/16SS473J	RS1/16SS473J
R 172	(A,111,66)	RS1/16S473J	RS1/16S473J	R 364	(B,100,52)	RS1/16SS473J	RS1/16SS473J
R 174	(A,125,67)	RS1/16S473J	RS1/16S473J	R 365	(B,100,51)	RS1/16SS473J	RS1/16SS473J
R 175	(A,125,68)	RS1/16S473J	RS1/16S473J	R 366	(B,100,49)	RS1/16SS473J	RS1/16SS473J
R 176	(A,125,56)	RS1/16S0R0J	RS1/16S0R0J	R 367	(B,102,49)	RS1/16SS473J	RS1/16SS473J
R 177	(A,120,65)	RS1/16S473J	RS1/16S473J	R 368	(B,102,51)	RS1/16SS473J	RS1/16SS473J

**Circuit Symbol and No.****Part No.****Circuit Symbol and No.****Part No.**

R 369	(B,100,58)	RS1/16SS473J	R 674	(B,39,101)	RS1/16SS102J
R 370	(A,92,72)	RS1/8S0R0J	R 675	(A,32,99)	RS1/16SS681J
A R 601	(A,137,87)	RS1/16S1803D	R 676	(A,35,90)	RS1/16SS681J
R 602	(B,50,100)	RS1/16SS473J	R 677	(B,15,86)	RS1/16S104J
R 603	(A,130,91)	RS1/16SS473J	R 681	(A,117,94)	RS1/16S101J
R 604	(A,33,94)	RS1/16SS0R0J	R 682	(A,119,94)	RS1/10S471J
R 605	(A,31,95)	RS1/16SS102J	R 683	(A,120,97)	RS1/16S103J
			R 687	(A,23,121)	RS1/16S470J
R 606	(A,37,88)	RAB4C681J			
R 607	(A,125,85)	RS1/16SS473J	R 691	(B,160,148)	RS1/10S221J
R 608	(B,154,135)	RS1/16S563J	R 692	(B,157,148)	RS1/10S221J
R 609	(B,153,132)	RS1/16S104J	R 693	(A,171,138)	RS1/16S681J
R 610	(B,150,132)	RS1/16S473J	R 694	(A,165,138)	RS1/16S681J
			R 695	(A,168,138)	RS1/16S681J
R 611	(B,153,135)	RS1/16S472J			
B R 612	(A,31,93)	RS1/16SS473J	R 696	(A,164,138)	RS1/16S681J
R 614	(A,33,102)	RS1/16SS473J	R 697	(A,167,138)	RS1/16S681J
R 616	(A,45,109)	RS1/16SS681J	R 699	(B,20,101)	RS1/16S0R0J
R 617	(A,41,87)	RS1/16S0R0J	R 701	(A,121,122)	RS1/16S820J
			R 702	(A,23,108)	RS1/16S103J
R 618	(B,39,99)	RS1/16SS473J	R 703	(A,25,108)	RS1/16S103J
R 620	(B,48,97)	RS1/16SS473J			
R 621	(B,62,91)	RS1/16SS473J	R 730	(B,73,101)	RS1/16S0R0J
R 622	(A,55,109)	RS1/16SS473J	R 732	(B,143,143)	RS1/16S102J
R 623	(A,47,109)	RAB4C681J	R 733	(B,145,143)	RS1/16S102J
			R 734	(A,138,139)	RS1/16S102J
R 625	(A,33,106)	RS1/16S473J	R 735	(A,136,139)	RS1/16S102J
R 626	(A,51,110)	RAB4C681J			
C R 627	(A,59,94)	RS1/16SS473J	R 736	(A,135,139)	RS1/16S0R0J
R 628	(A,34,99) (EW5)	RS1/16SS473J	R 737	(A,133,139)	RS1/16S102J
R 629	(A,57,95)	RS1/16SS473J	R 738	(B,138,146)	RS1/16S681J
R 630	(A,33,100) (UC)	RS1/16SS473J	R 739	(B,137,147)	RS1/16S681J
			R 740	(B,144,134)	RS1/16S101J
R 631	(A,32,95)	RS1/16SS102J			
R 632	(A,35,106)	RS1/16SS473J	R 741	(B,143,135)	RS1/16S101J
R 633	(A,56,90)	RS1/16SS473J	R 742	(B,79,109)	RS1/16S102J
R 636	(B,55,113)	RS1/16S473J	R 743	(A,78,108)	RS1/16S362J
R 640	(B,51,87)	RS1/16SS101J	R 744	(A,80,114)	RS1/16S512J
			R 745	(B,77,113)	RS1/16S471J
R 641	(B,51,88)	RS1/16SS473J			
R 642	(A,54,106)	RS1/16SS681J	R 746	(B,80,111)	RS1/16S0R0J
D R 643	(A,56,99)	RS1/16SS681J	R 751	(B,101,93)	RS1/16SS101J
R 644	(B,48,98)	RS1/16SS681J	R 752	(B,103,94)	RS1/16SS101J
R 645	(A,56,96)	RS1/16SS681J	R 753	(B,105,96)	RS1/16SS101J
			R 754	(B,96,94)	RS1/16S222J
R 646	(A,56,93)	RAB4C681J			
R 647	(A,54,90)	RS1/16SS681J	R 755	(B,89,96)	RS1/16S222J
R 648	(A,53,88)	RS1/16SS681J	R 756	(B,120,133)	RS1/16S750J
R 649	(A,52,88)	RS1/16SS681J	R 757	(B,83,98)	RS1/16S101J
R 651	(B,55,105)	RS1/16S681J	R 760	(B,114,129)	RS1/16S4701D
			R 761	(B,82,94)	RS1/16S1000D
R 653	(A,137,84)	RS1/16S2003F			
R 654	(A,33,105)	RS1/16SS473J	R 762	(B,95,108)	RN1/16SE2002D
R 657	(A,53,84)	RS1/16S104J	R 763	(B,92,108)	RS1/16S473J
E R 658	(A,34,96)	RS1/16SS101J	R 764	(B,102,108)	RS1/16S75R0D
R 659	(A,50,88)	RAB4C681J	R 765	(B,101,108)	RS1/16S75R0D
			R 766	(B,99,108)	RS1/16S75R0D
R 660	(A,42,86)	RS1/16SS104J			
R 661	(A,42,88)	RS1/16SS681J	R 767	(B,98,108)	RS1/16S750J
R 662	(A,25,104)	RS1/16S103J	R 768	(B,117,127)	RS1/16S4701D
R 664	(B,38,102)	RS1/16SS681J	R 769	(B,105,118)	RS1/16S105J
R 665	(A,37,109)	RAB4C681J	R 770	(B,86,122)	RS1/16S101J
			R 771	(B,112,124)	RS1/16S101J
R 666	(A,41,109)	RAB4C681J			
R 667	(A,43,109)	RS1/16SS681J	R 772	(B,102,114)	RS1/16S105J
R 668	(A,23,126)	RS1/16S104J	R 773	(A,105,98)	RS1/16S750J
F R 670	(B,39,105)	RS1/16SS103J	R 774	(B,95,114)	RS1/16S101J
R 671	(B,39,102)	RS1/16SS103J	R 776	(A,122,121)	RS1/16S750J
			R 781	(A,106,80)	RS1/16S0R0J
R 672	(A,34,109)	RS1/16SS681J			
R 673	(B,39,104)	RS1/16SS102J	R 782	(B,83,117)	RS1/16S105J

<u>Circuit Symbol and No.</u>		<u>Part No.</u>	<u>Circuit Symbol and No.</u>		<u>Part No.</u>
R 783	(B,91,118)	RS1/16S105J	R 869	(B,60,57)	RS1/16S1003D
R 784	(B,101,112)	RS1/16S105J	R 870	(B,61,42)	RS1/16S473J
R 785	(B,81,117)	RS1/16S105J	R 873	(B,41,56)	RS1/10S150J
R 786	(B,114,127)	RS1/16S4701D	R 874	(B,29,51)	RS1/16S224J
R 788	(B,117,125)	RS1/16S4701D	R 875	(B,29,65)	RS1/16S224J
R 789	(B,120,120)	RS1/16S102J	R 876	(B,41,60)	RS1/10S150J
R 790	(B,115,116)	RS1/16S563J	R 877	(B,76,57)	RS1/10S150J
R 791	(B,118,118)	RS1/16S473J	R 878	(B,65,50)	RS1/16S224J
R 792	(B,92,115)	RS1/16S105J	R 879	(B,65,64)	RS1/16S224J
R 794	(A,73,106)	RS1/16S563J	R 880	(B,76,60)	RS1/10S150J
R 795	(A,75,101)	RS1/16SS102J	R 884	(B,90,147)	RS1/4S561J
R 796	(A,72,103)	RS1/16S563J	R 885	(B,90,150)	RS1/4S561J
R 800	(B,94,118)	RS1/16S105J	R 886	(B,84,144)	RS1/16S103J
R 803	(B,7,51)	RS1/16S5600D	R 891	(B,108,136)	RS1/16S1101D
R 813	(B,58,107)	RS1/16S0R0J	R 892	(B,110,140)	RS1/16S6800D
R 814	(A,80,95)	RS1/16S0R0J	R 893	(B,111,130)	RS1/8S102J
R 819	(B,39,85)	RS1/8S181J	R 894	(B,115,140)	RS1/16S471J
R 820	(B,39,82)	RS1/8S181J	R 895	(B,111,132)	RS1/8S102J
R 821	(A,30,81)	RS1/16S103J	R 896	(B,107,133)	RS1/16S103J
R 824	(B,59,34)	RS1/16S0R0J	R 901	(B,147,122)	RS1/16S224J
R 825	(A,88,55)	RS1/10S360J	R 902	(B,37,121)	RS1/16S473J
R 826	(A,88,57)	RS1/10S360J	R 903	(B,39,115)	RS1/16S223J
R 827	(A,88,53)	RS1/16S103J	R 904	(B,37,115)	RS1/16S223J
R 829	(A,119,138)	RS1/16S475J	R 905	(B,26,88)	RS1/10S472J
R 832	(B,7,54)	RS1/16S8201D	R 906	(B,29,84)	RS1/16S223J
R 833	(B,7,56)	RS1/16S1501D	R 907	(B,62,155)	RS1/16S102J
R 834	(B,8,69)	RS1/16S681J	R 908	(B,90,144)	RS1/4S471J
R 835	(B,13,70)	RS1/16S154J	R 909	(B,96,127)	RS1/4S471J
R 836	(B,29,49)	RS1/16S3300D	R 910	(B,89,134)	RS1/16S153J
R 837	(B,26,48)	RS1/16S101J	R 911	(B,61,119)	RS1/16S474J
R 838	(B,26,49)	RS1/16S3001D	R 912	(B,118,140)	RS1/16S472J
R 839	(B,24,48)	RS1/16S1001D	R 913	(B,116,134)	RS1/16S102J
R 840	(B,25,51)	RS1/16S102J	R 914	(B,61,112)	RS1/16S473J
R 841	(B,25,53)	RS1/16S104J	R 915	(B,65,118)	RS1/16S473J
R 842	(B,29,67)	RS1/16S6800D	R 916	(B,63,118)	RS1/16S473J
R 843	(B,26,67)	RS1/16S5601D	R 917	(B,65,98)	RS1/16S0R0J
R 844	(B,24,68)	RS1/16S1001D	R 918	(B,66,99)	RS1/16S471J
R 845	(B,26,68)	RS1/16S101J	R 919	(A,112,137)	RS1/16S475J
R 846	(B,25,65)	RS1/16S102J	R 920	(B,67,132)	RS1/16S101J
R 847	(B,65,47)	RS1/16S5600D	R 921	(B,61,116)	RS1/16S103J
R 848	(B,61,47)	RS1/16S2401D	R 922	(B,59,150)	RS1/16S153J
R 849	(B,61,49)	RS1/16S101J	R 924	(B,65,152)	RS1/16S472J
R 850	(B,59,48)	RS1/16S1601D	R 925	(A,63,107)	RS1/16S102J
R 851	(B,60,50)	RS1/16S152J	R 926	(A,66,108)	RS1/16S103J
R 852	(B,65,69)	RS1/16S1200D	R 927	(B,67,131)	RS1/10S471J
R 853	(B,61,69)	RS1/16S1001D	R 928	(B,66,134)	RS1/16S103J
R 854	(B,60,53)	RS1/16S104J	R 929	(B,63,135)	RS1/10S103J
R 855	(B,61,67)	RS1/16S101J	R 930	(B,63,149)	RS1/16S472J
R 856	(B,59,68)	RS1/16S1001D	R 936	(B,65,90)	RS1/16S820J
R 857	(B,60,66)	RS1/16S152J	R 937	(B,68,90)	RS1/16S820J
R 858	(B,20,66)	RS1/16S100J	R 938	(B,113,137)	RS1/16S561J
R 859	(B,14,57)	RS1/16S184J	R 939	(B,7,48)	RS1/16S0R0J
R 861	(B,8,46)	RS1/10S100J	R 940	(B,29,46)	RS1/16S0R0J
R 862	(B,40,26)	RS1/16S1002D	R 941	(B,32,68)	RS1/16S0R0J
R 863	(B,41,35)	RS1/16S102J	R 942	(B,65,46)	RS1/16S0R0J
R 864	(B,42,28)	RS1/16S6202D	R 943	(B,67,68)	RS1/16S0R0J
R 865	(B,27,70)	RS1/16S100J	R 944	(B,25,63)	RS1/16S104J
R 866	(B,25,58)	RS1/16S1003D	R 945	(B,60,63)	RS1/16S104J
R 867	(B,64,44)	RS1/16S473J	R 946	(B,36,115)	RS1/16S4701D
R 868	(B,66,71)	RS1/16S100J	R 952	(A,77,94)	RS1/16S473J

**Circuit Symbol and No.****Part No.****Circuit Symbol and No.****Part No.**

R 954	(B,56,148)	RS1/16S103J	R 2476	(B,138,114)	RS1/16S104J
R 961	(A,157,97)	RS1/16S223J	R 2478	(B,141,101)	RS1/16S472J
R 962	(A,154,97)	RS1/16S103J	R 2479	(B,141,103)	RS1/16S472J
A R 963	(A,161,100)	RS1/16S104J	R 2480	(B,144,118)	RS1/16S472J
R 964	(A,164,98)	RS1/16S223J	R 2481	(B,141,115)	RS1/16S472J
R 971	(B,16,121)	RS1/16S824J	R 2482	(B,141,106)	RS1/16S472J
R 972	(B,16,125)	RS1/16S102J	R 2483	(B,141,112)	RS1/16S472J
R 973	(B,19,119)	RS1/16S472J	R 2484	(B,144,102)	RS1/16S472J
R 974	(B,16,116)	RS1/8S471J	R 2485	(B,144,115)	RS1/16S472J
R 975	(B,16,114)	RS1/8S751J	R 2486	(B,147,102)	RS1/16S472J
R 977	(B,30,125)	RS1/16S103J	R 2487	(B,147,115)	RS1/16S472J
R 978	(B,30,123)	RS1/16S103J	R 2488	(B,35,122)	RS1/16S471J
R 983	(A,12,78)	RS1/10S102J	R 2489	(B,25,139)	RS1/16S471J
R 985	(A,80,91)	RS1/10S102J	R 2492	(B,23,109)	RS1/16S223J
B R 986	(A,136,132)	RS1/10S102J	R 2493	(B,23,113)	RS1/16S473J
R 987	(B,85,45)	RS1/10S102J	R 2496	(B,28,113)	RS1/16S103J
R 989	(B,85,71)	RS1/10S102J	R 2497	(B,22,116)	RS1/4S102J
R 990	(B,72,92)	RS1/16S0R0J	R 2499	(B,21,122)	RS1/16S103J
R 2403	(A,133,123)	RS1/16S102J	R 2500	(B,23,126)	RS1/16S103J
R 2404	(B,127,135)	RS1/16S473J	R 2501	(B,18,124)	RS1/16S221J
R 2407	(B,127,125)	RS1/16SS473J	R 2502	(B,21,125)	RS1/16S102J
R 2409	(B,129,134)	RS1/16S473J	R 2503	(A,50,134)	RS1/16S101J
R 2410	(B,130,127)	RS1/16SS473J	R 2551	(A,13,138)	RS1/16S221J
R 2411	(B,132,135)	RS1/16S333J	R 2552	(A,13,141)	RS1/16S621J
C R 2416	(B,131,125)	RS1/16S333J	R 2553	(B,6,143)	RS1/16S473J
R 2417	(B,108,103)	RS1/16S104J	R 2554	(B,9,144)	RS1/16S121J
R 2418	(B,108,106)	RS1/16S102J	R 2556	(B,136,119)	RS1/16S473J
R 2419	(B,133,123)	RS1/16SS473J	R 2557	(B,136,120)	RS1/16S473J
R 2420	(B,131,137)	RS1/16S473J	R 2558	(B,129,119)	RS1/16SS473J
R 2421	(B,109,109)	RS1/16S473J	R 2566	(A,127,104)	RS1/16SS101J
R 2422	(B,134,137)	RS1/16S473J	R 2567	(A,127,105)	RS1/16SS101J
R 2423	(B,134,123)	RS1/16SS473J	R 2568	(A,127,106)	RS1/16SS101J
R 2424	(B,111,110)	RS1/16S473J	R 2569	(B,132,120)	RS1/16S102J
R 2425	(B,135,137)	RS1/16S473J	R 2570	(B,129,116)	RS1/16S0R0J
R 2426	(B,135,123)	RS1/16SS473J	R 2571	(B,144,104)	RS1/16S224J
D R 2428	(B,115,113)	RS1/16S0R0J	R 2572	(B,144,114)	RS1/16S224J
R 2432	(B,118,105)	RS1/16S473J	R 2602	(A,160,117)	RS1/8S0R0J
R 2433	(B,114,104)	RS1/16S473J	R 2701	(B,46,13)	RS1/16S222J
R 2438	(A,145,111)	RS1/16S181J	R 2702	(B,58,8)	RS1/16S222J
R 2440	(A,143,108)	RS1/16S181J	R 2706	(B,49,18)	RS1/16S222J
R 2441	(A,144,106)	RS1/16S223J	R 2707	(B,52,28)	RS1/16S102J
R 2444	(A,144,112)	RS1/16S223J	R 2708	(B,51,26)	RS1/16S102J
R 2445	(A,144,104)	RS1/16S102J	R 2710	(A,45,20)	RS1/16S102J
R 2446	(A,143,114)	RS1/16S102J	R 2711	(A,46,22)	RS1/16S102J
R 2447	(B,133,100)	RS1/16S0R0J	R 2712	(B,50,23)	RS1/16S102J
R 2448	(A,126,98)	RS1/16S0R0J	R 2713	(B,35,14)	RS1/16S222J
R 2449	(A,126,101)	RS1/16S0R0J	R 2714	(B,35,11)	RS1/16S222J
R 2451	(B,150,92)	RS1/16S152J	R 2715	(B,38,15)	RS1/16S222J
R 2452	(A,126,113)	RS1/16S0R0J	R 2723	(A,38,15)	RS1/16S223J
R 2453	(A,128,116)	RS1/16S0R0J	R 2724	(A,38,13)	RS1/16S472J
R 2454	(B,132,115)	RS1/16S0R0J	R 2725	(A,42,13)	RS1/16S103J
R 2459	(B,40,123)	RS1/16S471J	R 2726	(A,41,15)	RS1/16S223J
R 2460	(B,153,91)	RS1/16S104J	R 2729	(A,40,13)	RS1/16S472J
R 2461	(B,145,84)	RS1/16S1202D	R 2730	(B,8,51)	RS1/16S331J
R 2462	(B,144,88)	RS1/16S1003D	R 2731	(A,85,110)	RS1/16S0R0J
R 2465	(B,26,141)	RS1/16SS471J			
R 2472	(B,135,104)	RS1/16S821J			
R 2473	(B,136,114)	RS1/16S821J			
R 2474	(B,151,81)	RS1/16S101J			
R 2475	(B,138,104)	RS1/16S104J			

**CAPACITORS**

C 1	(B,131,19)	CKSRYB104K50
C 2	(B,130,22)	CKSRYB104K50

<u>Circuit Symbol and No.</u>		<u>Part No.</u>	<u>Circuit Symbol and No.</u>		<u>Part No.</u>
C 3	(B,130,25)	CKSRYB104K50	C 78	(B,145,21)	CKSRYB103K50
C 4	(B,130,30)	CKSRYB104K50	C 79	(B,162,30)	CKSRYB103K50
C 5	(B,130,42)	CKSRYB104K50	C 80	(B,154,17)	CKSRYB103K50
C 6	(A,151,37)	CKSRYB104K50	C 81	(B,146,40)	CKSRYB224K10
C 7	(A,156,45)	CKSRYB104K50	C 82	(B,162,23)	CKSRYB103K50
C 8	(A,155,50)	CKSRYB104K50	C 96	(B,163,23)	CKSRYB224K10
C 9	(A,155,53)	CKSRYB104K50	C 97	(B,163,28)	CKSRYB224K10
C 10	(A,156,56)	CKSRYB104K50	C 98	(B,163,30)	CKSRYB224K10
C 11	(A,156,61)	CKSRYB104K50	C 101	(A,130,18)	CKSRYB104K50
C 12	(B,135,18) 10 $\mu$ F	CCG1171	C 102	(A,134,12)	CKSRYB104K50
C 13	(B,145,26)	CKSRYB104K50	C 103	(A,138,26)	CKSRYB104K50
C 14	(B,145,29)	CKSRYB104K50	C 104	(A,147,30)	CKSRYB104K50
C 15	(A,146,36)	CKSRYB104K50	C 105	(A,155,30)	CKSRYB104K50
C 16	(A,144,36)	CKSRYB104K50	C 106	(A,164,30)	CKSRYB104K50
C 17	(A,146,67)	CKSRYB104K50	C 107	(A,160,33)	CKSRYB104K50
C 18	(A,144,69)	CCSRCH100D50	C 108	(A,160,42)	CKSRYB104K50
C 19	(A,142,69)	CCSRCH100D50	C 109	(A,160,50)	CKSRYB104K50
C 20	(B,148,18)	CKSRYB104K50	C 110	(B,105,43) 10 $\mu$ F	CCG1171
C 21	(B,147,22)	CKSRYB104K50	C 111	(B,105,40)	CKSRYB104K50
C 22	(B,147,25)	CKSRYB104K50	C 112	(B,105,35)	CKSRYF224Z16
C 23	(B,147,30)	CKSRYB104K50	C 113	(B,105,27) 10 $\mu$ F	CCG1171
C 24	(B,146,41)	CKSRYB104K50	C 114	(B,105,24)	CKSRYB104K50
C 25	(A,140,37)	CKSRYB104K50	C 115	(B,105,19)	CKSRYF224Z16
C 26	(A,140,66)	CKSRYB104K50	C 116	(B,118,65)	CKSRYF104Z25
C 27	(B,151,18) 10 $\mu$ F	CCG1171	C 117	(B,106,52) 10 $\mu$ F	CCG1171
C 28	(B,156,15)	CKSRYB104K50	C 118	(B,106,50)	CKSRYB104K50
C 29	(B,162,28)	CKSRYB104K50	C 119	(B,118,49)	CKSRYF104Z25
C 30	(A,157,18)	CKSRYF104Z25	C 120	(B,108,62)	CKSRYF104Z25
C 31	(B,131,59)	CCSRCH8R0D50	C 121	(B,108,57)	CKSRYF104Z25
C 32	(B,131,63)	CCSRCH8R0D50	C 122	(B,103,39)	CKSRYF104Z25
C 33	(A,135,37)	CKSRYB104K50	C 123	(B,105,55)	CKSRYF103Z50
C 35	(A,135,66)	CKSRYB104K50	C 124	(B,129,40)	CCSRCH101J50
C 36	(A,129,65)	CKSRYB104K50	C 125	(A,165,33)	CKSRYF104Z25
C 38	(A,134,33) 10 $\mu$ F	CCG1171	C 126	(A,165,50)	CKSRYF104Z25
C 39	(A,126,41)	CKSRYB104K50	C 201	(A,123,38)	CKSRYB104K50
C 40	(A,126,43)	CKSRYB104K50	C 202	(A,118,43)	CKSRYB104K50
C 41	(A,126,51)	CKSRYB104K50	C 203	(A,116,43)	CKSRYB104K50
C 42	(B,140,44)	CKSRYB104K50	C 204	(A,121,37)	CKSRYB104K50
C 44	(B,136,56)	CKSRYB104K50	C 205	(A,110,43)	CKSRYB104K50
C 47	(B,144,66)	CKSRYB104K50	C 206	(A,105,42)	CKSRYB104K50
C 49	(B,143,44)	CKSRYB104K50	C 207	(A,99,42)	CKSRYB104K50
C 51	(A,148,36)	CKSRYB224K10	C 208	(A,95,43)	CKSRYB104K50
C 54	(B,83,38)	CCSRCH121J50	C 209	(A,86,37)	CKSRYB104K50
C 55	(B,147,44)	CKSRYB104K50	C 211	(A,121,35)	CKSRYB104K50
C 57	(B,151,44)	CKSRYB104K50	C 213	(A,121,32)	CKSRYB104K50
C 60	(B,152,66)	CKSRYB104K50	C 214	(A,123,32)	CKSRYB104K50
C 63	(B,157,47)	CKSRYB104K50	C 215	(A,86,36)	CKSRYB104K50
C 64	(B,157,52)	CKSRYB104K50	C 216	(A,86,32)	CKSRYB104K50
C 66	(B,157,55)	CKSRYB104K50	C 217	(A,86,31)	CKSRYB104K50
C 67	(B,159,55) 10 $\mu$ F	CCG1171	C 220	(A,124,33) 10 $\mu$ F	CCG1171
C 68	(A,130,36) 22 $\mu$ F	CCG1178	C 221	(A,121,29)	CKSRYB104K50
C 69	(A,130,34) 22 $\mu$ F	CCG1178	C 222	(A,121,27)	CKSRYB104K50
C 70	(A,129,30) 22 $\mu$ F	CCG1178	C 223	(A,123,9)	CKSRYB224K10
C 71	(B,128,61)	CKSRYF103Z50	C 224	(A,121,24)	CKSRYB104K50
C 72	(B,162,52)	CKSRYF103Z50	C 225	(A,123,29)	CKSRYB104K50
C 73	(B,161,52)	CKSRYF104Z25	C 227	(A,86,29)	CKSRYB104K50
C 74	(B,157,62)	CKSRYF104Z25	C 228	(A,86,25)	CKSRYB104K50
C 75	(A,155,18)	CKSRYF104Z25	C 230	(A,126,26)	CCSRCH150J50
C 76	(B,130,27)	CKSRYB103K50	C 231	(A,126,17)	CCSRCH120J50
C 77	(B,138,18)	CKSRYB103K50	C 232	(A,121,22)	CKSRYB104K50

**Circuit Symbol and No.****Part No.****Circuit Symbol and No.****Part No.**

C 233	(A,121,19)	CKSRYB104K50	C 626	(B,53,85)	CKSSYB103K16
C 234	(A,86,20)	CKSRYB104K50	C 630	(A,32,97)	CCSRCH101J50
C 235	(A,87,19)	CKSRYB104K50	C 636	(B,22,91)	CKSRYF104Z25
A					
C 237	(A,122,16)	CKSRYB104K50	C 643	(B,17,93)	CKSRYF104Z25
C 238	(A,122,13)	CKSRYB104K50	C 644	(B,42,121)	CKSRYF104Z25
C 239	(A,87,17)	CKSRYB104K50	C 645	(A,36,122) 10 µF	CCG1236
C 240	(A,87,15)	CKSRYB104K50	C 647	(A,32,112) 10 µF	CCG1236
C 241	(A,87,13)	CKSRYB104K50	C 648	(A,27,121)	CKSRYF104Z25
C 242	(A,115,8)	CKSRYB104K50	C 670	(A,37,85)	CKSSYB104K10
C 243	(A,112,8)	CKSRYB104K50	C 671	(A,34,98)	CKSSYB104K10
C 244	(A,108,8)	CKSRYB104K50	C 672	(A,34,95)	CKSSYB104K10
C 245	(A,105,8)	CKSRYB104K50	C 673	(B,39,106)	CKSSYB104K10
C 246	(A,102,8)	CKSRYB104K50	C 675	(A,137,85)	CKSSYB104K10
B					
C 247	(A,97,8)	CKSRYB104K50	C 679	(A,27,89)	CKSRYF104Z25
C 248	(A,92,8)	CKSRYB104K50	C 680	(A,25,88)	CKSRYB104K50
C 249	(A,87,9) 10 µF	CCG1171	C 681	(A,24,80)	CKSRYF104Z25
C 250	(A,107,43) 10 µF	CCG1171	C 682	(A,24,82)	CKSRYB104K50
C 251	(A,123,26) 10 µF	CCG1171	C 690	(B,154,143)	CKSQYB475K6R3
C 252	(A,88,43) 10 µF	CCG1171	C 691	(A,156,151)	CKSRYB102K50
C 253	(A,124,14)	CKSRYF104Z25	C 692	(B,158,141)	CKSRYB104K50
C 255	(A,86,34)	CKSRYB103K50	C 693	(B,157,145)	CKSQYB105K16
C 256	(A,86,28)	CKSRYB103K50	C 694	(B,156,141)	CKSQYB105K16
C 257	(A,86,26)	CKSRYB103K50	C 695	(B,160,146)	CKSQYB105K16
C 258	(A,86,23)	CKSRYB103K50	C 696	(B,171,145)	CKSRYB102K50
C 259	(A,86,22)	CKSRYB103K50	C 697	(B,159,134)	CKSQYB105K16
C 260	(A,87,16)	CKSRYB103K50	C 698	(B,162,134)	CKSQYB105K16
C 261	(A,84,8)	CKSRYB103K50	C 699	(B,168,133)	CKSRYB102K50
C 262	(A,82,8)	CKSRYB103K50	C 700	(B,165,133)	CKSRYB102K50
C 301	(A,140,21)	CKSRYF104Z25	C 701	(B,167,133)	CKSRYB102K50
C 302	(A,148,22)	CKSRYB334K10	C 702	(B,164,133)	CKSRYB102K50
C 303	(A,141,13)	CKSRYF104Z25	C 704	(B,84,112)	CKSRYB104K50
C 306	(A,119,49)	CKSRYF104Z25	C 705	(B,91,115)	CKSRYB104K50
C 323	(A,106,57) 10 µF	CCG1171	C 706	(A,124,122)	CCSRCH102J50
C 328	(A,103,51)	CKSRYB104K50	C 707	(B,120,128)	CKSYB106K6R3
C 329	(A,102,51) 10 µF	CCG1171	C 709	(B,114,125)	CCSRCK1R0C50
D					
C 341	(A,159,19)	CCSRCH101J50	C 711	(B,120,118)	CKSRYB105K10
C 342	(A,139,14)	CKSRYF104Z25	C 712	(B,113,118)	CKSRYB104K50
C 344	(B,145,12)	CKSRYF103Z50	C 713	(B,111,120)	CKSYF106Z10
C 345	(B,144,12)	CKSRYF104Z25	C 732	(B,153,141)	CKSRYB102K50
C 346	(B,130,12)	CKSRYF103Z50	C 733	(B,150,141)	CKSRYB102K50
C 347	(B,118,10)	CKSRYF103Z50	C 734	(B,147,135)	CKSRYB102K50
C 348	(B,117,9)	CKSRYF104Z25	C 735	(B,140,138)	CKSRYB102K50
C 349	(B,96,8)	CKSRYF103Z50	C 736	(B,132,147)	CKSRYF104Z25
C 601	(B,53,98)	CKSSYB104K10	C 737	(A,132,132)	CKSRYF104Z25
C 602	(A,34,97)	CKSSYB104K10	C 738	(A,128,134)	CKSRYF104Z25
C 603	(B,43,91)	CKSSYB104K10	C 739	(B,131,152)	CKSRYF104Z25
C 604	(B,45,91)	CKSSYB104K10	C 740	(B,133,152)	CKSRYF104Z25
C 605	(B,43,94)	CKSSYB104K10	C 741	(B,137,151)	CKSRYF104Z25
C 606	(A,34,93)	CKSRYB104K50	C 747	(A,79,104)	CEVW100M16
C 607	(A,36,85)	CKSSYB104K10	C 748	(B,85,89)	CKSSYB103K16
C 609	(B,147,132)	CKSRYB104K50	C 749	(B,86,92)	CKSQYB225K10
C 610	(A,123,89)	CKSSYB104K10	C 750	(B,77,107)	CKSRYB102K50
C 611	(B,45,93)	CKSSYB104K10	C 751	(B,103,96)	CKSRYB104K50
C 612	(A,132,87)	CKSSYB104K10	C 752	(B,101,95)	CKSRYB104K50
C 613	(B,53,107)	CKSSYB104K10	C 753	(B,99,95)	CKSRYB104K50
C 614	(B,58,93)	CKSSYB104K10	C 754	(B,98,93)	CCSRCH5R0C50
C 617	(B,55,89)	CKSQYB225K10	C 755	(B,93,95)	CCSRCH470J50
C 620	(B,45,104)	CKSRYF104Z25	C 756	(B,94,95)	CKSRYF104Z25
C 623	(B,48,88)	CKSSYB104K10	C 757	(A,91,96)	CEVQW470M16
C 624	(B,49,104)	CKSRYF104Z25	C 758	(B,91,91)	CKSRYB105K6R3

<u>Circuit Symbol and No.</u>		<u>Part No.</u>	<u>Circuit Symbol and No.</u>		<u>Part No.</u>
C 761	(B,93,108)	CCSRCH220J50	C 830	(B,65,67)	CKSRYP153K50
C 762	(A,86,96)	CEVW100M16	C 831	(B,62,65)	CCSRCH101J50
C 763	(B,90,108)	CKSRYP104Z25	C 832	(B,60,64)	CKSRYP104K50
C 764	(A,100,105)	CEVW221M4	C 833	(B,12,70)	CCSRCH330J50
C 765	(A,92,105)	CEVW221M4	C 834	(B,15,70)	CKSRYP105K10
C 766	(A,85,105)	CEVW221M4	C 835	(B,19,70) 4.7 $\mu$ F	CCG1111
C 767	(A,110,104)	CEVW221M4	C 836	(B,14,58)	CKSRYP104Z25
C 768	(B,96,108)	CKSRYP105K6R3	C 837	(B,8,63) 4.7 $\mu$ F	CCG1111
C 769	(A,97,96)	CEVQW470M16	C 838	(B,11,58)	CKSRYP474Z16
C 770	(B,93,93)	CKSRYP104K50	C 839	(A,14,45) 220 $\mu$ F/10 V	CCH1409
C 771	(A,101,120)	CKSRYP104K50	C 840	(A,16,61) 10 $\mu$ F	CCG1223
C 772	(A,97,116)	CEVW101M16	C 841	(B,24,71) 4.7 $\mu$ F	CCG1111
C 773	(B,83,121)	CKSQYB225K10	C 842	(B,25,55)	CKSRYP103K50
C 774	(B,91,121)	CKSQYB225K10	C 843	(B,25,56) 47 pF	CCG1231
C 775	(A,94,120)	CKSRYP103K50	C 844	(B,25,60)	CKSRYP105K10
C 776	(B,104,108)	CKSQYB225K10	C 845	(B,25,61)	CKSRYP103K50
C 777	(A,85,116)	CEVW101M6R3	C 846	(B,63,71) 4.7 $\mu$ F	CCG1111
C 778	(A,91,114)	CEVW220M6R3	C 847	(B,60,54)	CKSRYP103K50
C 779	(B,82,113)	CKSYF106Z10	C 848	(B,60,56) 47 pF	CCG1231
C 780	(B,86,109)	CKSQYB225K10	C 849	(B,60,59)	CKSRYP105K10
C 782	(A,107,121)	CKSRYP104K50	C 850	(B,60,62)	CKSRYP103K50
C 783	(A,105,116)	CEVW101M16	C 851	(A,19,56) 10 $\mu$ F	CCG1223
C 784	(A,104,121)	CKSRYP103K50	C 852	(B,17,48) 4.7 $\mu$ F	CCG1111
C 785	(B,103,119)	CKSQYB225K10	C 853	(B,33,52)	CKSRYP474Z16
C 786	(A,119,116)	CEVW101M6R3	C 854	(B,29,52)	CKSRYP104Z25
C 787	(A,113,116)	CEVW220M6R3	C 855	(B,29,64)	CKSRYP104Z25
C 788	(B,87,101)	CKSRYP104K50	C 856	(B,34,63)	CKSRYP474Z16
C 790	(B,77,116)	CKSRYP104K50	C 857	(B,25,46)	CKSYB475K16
C 791	(B,76,114)	CKSYF106Z10	C 858	(B,68,52)	CKSRYP474Z16
C 792	(B,99,121)	CKSRYP104K50	C 859	(B,65,52)	CKSRYP104Z25
C 793	(B,102,123)	CKSYF106Z10	C 860	(B,65,66)	CKSRYP104Z25
C 794	(B,106,120)	CKSYF106Z10	C 861	(B,68,64)	CKSRYP474Z16
C 795	(A,79,99)	CKSQYB225K10	C 862	(B,68,44)	CKSYB475K16
C 796	(A,74,100)	CKSQYB225K10	C 863	(B,77,123)	CKSRYP104Z25
C 797	(B,117,132)	CKSYB106K6R3	C 864	(B,43,31)	CKSRYP103K50
C 798	(B,108,118)	CKSRYP104K50	C 865	(A,26,53) 10 $\mu$ F	CCG1223
C 799	(A,75,107)	CCSRCH100D50	C 866	(A,39,28)	CEVLW470M16
C 800	(B,96,118)	CKSRYP104K50	C 867	(B,41,32)	CKSQYB105K16
C 803	(B,24,85)	CKSQYB225K10	C 868	(B,37,49) 4.7 $\mu$ F	CCG1111
C 809	(A,122,134)	CKSRYP103K50	C 869	(A,48,53) 330 $\mu$ F/6.3 V	CCH1366
C 810	(A,121,128)	CEVW101M16	C 870	(B,38,68) 4.7 $\mu$ F	CCG1111
C 811	(A,68,69)	CKSRYP104K50	C 871	(A,48,62) 220 $\mu$ F/10 V	CCH1409
C 812	(A,42,80)	CKSRYP103K50	C 872	(A,60,55) 10 $\mu$ F	CCG1223
C 813	(A,48,81)	CEVW101M16	C 873	(A,60,51) 10 $\mu$ F	CCG1223
C 814	(A,31,87)	CEVW101M16	C 874	(A,28,100)	CEVW100M16
C 815	(A,91,53)	CKSRYP103K50	C 875	(B,71,67) 4.7 $\mu$ F	CCG1111
C 816	(A,96,53)	CEVW101M16	C 876	(A,83,53) 330 $\mu$ F/6.3 V	CCH1366
C 817	(B,8,54)	CKSRYP273K25	C 877	(B,71,50) 4.7 $\mu$ F	CCG1111
C 818	(B,11,70)	CKSRYP473K50	C 878	(A,84,65) 330 $\mu$ F/6.3 V	CCH1366
C 819	(B,8,67)	CCSRCH101J50	C 879	(A,78,127) 220 $\mu$ F/25 V	CCH1356(P30)
C 820	(B,7,67)	CKSRYP104K50	C 880	(B,86,141)	CKSQYB104K16
C 821	(B,29,48)	CKSRYP473K50	C 881	(A,81,136) 2 200 $\mu$ F/16 V	CCH1405(P30)
C 822	(B,27,51)	CCSRCH101J50	C 882	(A,71,113)	CEVW101M16
C 823	(B,25,52)	CKSRYP104K50	C 883	(B,33,89)	CKSRYP103K50
C 824	(B,29,68)	CKSRYP223K50	C 884	(A,72,82)	CEVW101M6R3
C 825	(B,27,65)	CCSRCH101J50	C 885	(A,69,91)	CKSRYP104Z25
C 826	(B,25,64)	CKSRYP104K50	C 886	(A,27,94)	CEVW100M16
C 827	(B,65,49)	CKSRYP153K50	C 887	(A,76,88)	CKSRYP104Z25
C 828	(B,62,51)	CCSRCH101J50	C 888	(B,108,138)	CKSRYP103K50
C 829	(B,60,52)	CKSRYP104K50	C 889	(B,113,140)	CKSRYP103K50

**Circuit Symbol and No.****Part No.****Circuit Symbol and No.****Part No.**

C 890	(B,117,140)	CKSRYF104Z25	C 2421	(B,110,105)	CKSRYB103K50
C 891	(B,147,120)	CKSRYB104K50	C 2422	(B,138,137)	CCSRCH151J50
C 892	(B,68,98)	CKSRYB103K50	C 2423	(B,138,123)	CCSRCH151J50
A					
C 893	(A,59,103)	CEVW101M16	C 2424	(B,111,107)	CCSRCH221J50
C 894	(B,59,104)	CKSRYB103K50	C 2425	(B,135,135)	CCSRCH330J50
C 895	(B,30,89)	CKSRYB104K50	C 2426	(B,134,125)	CCSRCH330J50
C 896	(A,117,137)	CKSRYB103K50	C 2428	(B,118,111)	CKSRYF104Z25
C 897	(A,114,127)	CEVW101M16	C 2429	(B,114,102)	CKSQYB105K16
C 898	(A,83,122)	CKSQYB104K16	C 2431	(B,111,112)	CCSRCH471J50
C 899	(A,87,127) 220 $\mu$ F/25 V	CCH1356(P30)	C 2432	(B,136,130)	CKSRYF104Z25
C 900	(B,89,132)	CKSQYB104K16	C 2433	(A,136,127)	CEVQW220M16
C 901	(B,106,140)	CKSRYB103K50	C 2434	(B,137,134)	CKSRYB105K6R3
C 903	(A,150,128) 10 000 $\mu$ F/16 V	CCH1664(P30)	C 2435	(B,137,126)	CKSRYB105K6R3
B					
C 904	(B,59,151)	CKSRYB104K50	C 2436	(B,118,113)	CKSRYB105K6R3
C 905	(A,67,103)	CEVW101M16	C 2437	(A,150,105)	CKSRYB102K50
C 906	(A,57,110)	CKSRYF104Z25	C 2441	(A,143,104)	CKSRYB105K6R3
C 907	(A,57,113)	CKSRYB473K50	C 2442	(B,137,125)	CKSRYB105K6R3
C 908	(B,60,133)	CKSRYF103Z50	C 2443	(B,137,132)	CKSRYB105K6R3
C 909	(A,101,137)	CKSRYF104Z25	C 2444	(A,143,110)	CKSRYB105K6R3
C 910	(B,58,134)	CKSRYB104K50	C 2445	(A,146,97)	CEVW470M16
C 914	(A,81,147)	CKSRYF104Z25	C 2446	(A,143,102)	CKSRYB105K6R3
C 916	(B,53,131)	CKSQYF104Z25	C 2447	(A,147,102)	CKSRYB104K50
C 919	(B,68,93)	CKSRYB104K50	C 2448	(A,142,112)	CKSRYB105K6R3
C 920	(B,120,139)	CKSRYF104Z25	C 2453	(A,140,97)	CKSYB475K16
C 950	(B,17,55) 4.7 $\mu$ F	CCG1111	C 2456	(A,140,116)	CKSYB475K16
C 951	(B,17,51) 4.7 $\mu$ F	CCG1111	C 2457	(A,137,97)	CKSYB475K16
C 953	(B,33,49) 4.7 $\mu$ F	CCG1111	C 2458	(A,137,116)	CKSYB475K16
C 954	(A,31,50) 10 $\mu$ F	CCG1223	C 2459	(A,134,97)	CKSYB475K16
C 955	(B,34,68) 4.7 $\mu$ F	CCG1111	C 2460	(A,134,116)	CKSYB475K16
C 956	(A,31,56) 10 $\mu$ F	CCG1223	C 2461	(B,155,91)	CKSRYB332K50
C 957	(A,64,54) 10 $\mu$ F	CCG1223	C 2462	(A,132,97)	CKSYB475K16
C 958	(A,64,49) 4.7 $\mu$ F	CCG1111	C 2463	(A,132,116)	CKSYB475K16
C 959	(A,67,54) 10 $\mu$ F	CCG1223	C 2464	(B,152,91)	CKSRYB474K10
C 960	(A,67,49) 4.7 $\mu$ F	CCG1111	C 2465	(B,149,89)	CKSRYB104K50
C 961	(A,80,149)	CKSRYF104Z25	C 2466	(A,126,109)	CKSRYB104K50
D					
C 963	(B,53,148)	CKSRYB104K50	C 2467	(A,126,110)	CKSRYB104K50
C 964	(B,53,150)	CKSRYB105K10	C 2468	(A,126,112)	CCSRCH100D50
C 971	(B,15,122)	CKSRYB222K50	C 2469	(B,149,86)	CKSRYB104K50
C 972	(B,16,124)	CKSRYB474K10	C 2470	(A,126,95)	CCSRCH100D50
C 973	(B,7,122)	CKSQYB105K16	C 2471	(B,145,82)	CKSRYB104K50
C 974	(A,12,113)	CKSQYB103K50	C 2472	(A,129,115)	CCSRCH100D50
C 975	(A,17,123)	CEVQW470M16	C 2473	(B,147,86)	CKSRYB104K50
C 983	(B,74,34)	CKSRYB103K50	C 2474	(A,126,96)	CCSRCH100D50
C 984	(B,72,34)	CKSRYF104Z25	C 2475	(A,128,118)	CCSRCH100D50
C 985	(B,63,34)	CKSRYB103K50	C 2476	(A,126,99)	CCSRCH100D50
C 986	(B,61,34)	CKSRYF104Z25	C 2479	(A,156,88)	CEVW101M10
E					
C 987	(A,91,81)	CKSRYB103K50	C 2480	(A,122,102)	CEVW100M16
C 988	(A,92,81)	CKSRYF104Z25	C 2481	(A,149,88)	CEVW101M10
C 989	(A,91,84)	CKSRYB103K50	C 2482	(B,154,81)	CKSRYB222K50
C 990	(A,92,84)	CKSRYF104Z25	C 2483	(B,137,100) 10 $\mu$ F	CCG1138
C 998	(B,26,93)	CKSRYF104Z25	C 2484	(B,138,103)	CKSRYB105K6R3
C 999	(B,29,92)	CKSRYB103K50	C 2485	(B,140,118) 10 $\mu$ F	CCG1138
C 2404	(B,115,89)	CKSRYB104K50	C 2486	(B,138,115)	CKSRYB105K6R3
C 2407	(B,112,92)	CKSRYB104K50	C 2487	(B,141,104)	CCSRCH101J50
C 2412	(A,128,127)	CEVW101M6R3	C 2488	(B,141,114)	CCSRCH101J50
C 2413	(B,129,136)	CKSRYB105K10	C 2489	(B,131,100)	CKSRYB104K50
F					
C 2414	(B,128,124)	CKSRYB105K10	C 2490	(B,147,104)	CCSRCH101J50
C 2418	(B,107,105)	CKSRYB105K6R3	C 2491	(B,147,114)	CCSRCH101J50
C 2419	(B,131,136)	CCSRCH470J50	C 2492	(B,149,108)	CKSRYB104K50
C 2420	(B,131,124)	CCSRCH470J50	C 2493	(A,153,104)	CEVW100M16

**Circuit Symbol and No.****Part No.**

C 2494	(B,33,124)	CKSQYB105K16
C 2495	(B,29,141)	CKSQYB105K16
C 2496	(B,33,126)	CKSRYB105K10
C 2497	(B,32,142)	CKSRYB105K10
C 2498	(B,28,139)	CKSQYB105K16
C 2499	(B,37,124)	CKSQYB105K16
C 2500	(B,31,139)	CKSRYB105K10
C 2501	(B,37,126)	CKSRYB105K10
C 2503	(A,64,125) 2 200 µF/16 V	CCH1405(P30)
C 2504	(A,70,131) 10 µF	CCG1138
C 2505	(B,41,139)	CKSRYB104K50
C 2506	(A,17,129)	CEVW100M16
C 2507	(B,37,141)	CKSYB475K16
C 2508	(B,37,139)	CKSYB475K16
C 2509	(A,51,130)	CEVW330M25
C 2510	(A,45,137)	CKSRYB473K50
C 2511	(B,30,117)	CKSSYF104Z16
C 2551	(B,10,140)	CKSRYB104K50
C 2552	(A,10,141)	CCSRCH150J50
C 2556	(B,130,119)	CKSSYB104K10
C 2557	(B,129,118)	CKSSYB103K16
C 2558	(B,136,117)	CKSRYB103K50
C 2707	(B,40,23)	CKSRYF104Z25
C 2710	(A,38,20)	CKSRYB104K50
C 2711	(B,39,88)	CKSRYF104Z25
C 2713	(A,41,20)	CKSRYB104K50

**B****Unit Number :****Unit Name : Keyboard Unit****MISCELLANEOUS**

IC 4001	(B,79,9) IC	LC75836WS
IC 4021	(A,100,10) IC	SBX3050-01
Q 4041	(B,100,13) Digital Transistor	DTC143EUA
D 4001	(A,143,6) Diode	MALS068X
D 4002	(A,138,8) Diode	MALS068X
D 4003	(A,142,8) Diode	MALS068X
D 4021	(A,126,8) Diode	UDZS5R6(B)
D 4041	(B,107,6) Diode	DAN202U
D 4042	(A,94,9) White LED	NESW505C-5273
D 4051	(A,21,4) LED	CL-195SR-CD
D 4052	(A,6,5) LED	CL-195SR-CD
D 4053	(A,22,17) LED	CL-195SR-CD
D 4054	(A,6,18) LED	CL-195SR-CD
D 4055	(A,110,6) LED	CL-195SR-CD
D 4056	(A,122,6) LED	CL-195SR-CD
D 4057	(A,135,6) LED	CL-195SR-CD
D 4058	(A,146,20) LED	CL-195SR-CD
D 4059	(A,151,6) LED	CL-195SR-CD
D 4060	(A,163,7) LED	CL-195SR-CD
D 4071	(A,21,3) LED	CL-197HB1-D(CDE)
D 4072	(A,4,5) LED	CL-197HB1-D(CDE)
D 4073	(A,23,17) LED	CL-197HB1-D(CDE)
D 4074	(A,5,18) LED	CL-197HB1-D(CDE)
D 4075	(A,110,4) LED	CL-197HB1-D(CDE)
D 4076	(A,122,4) LED	CL-197HB1-D(CDE)
D 4077	(A,135,4) LED	CL-197HB1-D(CDE)
D 4078	(A,146,19) LED	CL-197HB1-D(CDE)

**Circuit Symbol and No.****Part No.**

D 4079	(A,151,4) LED	CL-197HB1-D(CDE)
D 4080	(A,163,4) LED	CL-197HB1-D(CDE)
L 4001	(B,94,14) Inductor	CTF1473
S 4031	(A,156,19) Push Switch	CSG1155
S 4032	(A,14,11) Encoder	CSD1140
S 4033	(A,160,6) Push Switch	CSG1155
S 4034	(A,132,6) Push Switch	CSG1155
S 4035	(A,106,6) Push Switch	CSG1155
S 4036	(A,154,6) Push Switch	CSG1155
S 4037	(A,119,6) Push Switch	CSG1155
LCD4001	(A,30,15) LCD	CAW1950

**RESISTORS**

R 4001	(B,102,6)	RS1/16S221J
R 4002	(B,102,5)	RS1/16S221J
R 4003	(B,89,4)	RS1/16S221J
R 4004	(B,89,6)	RS1/16S473J
R 4005	(B,86,8)	RS1/16S393J
R 4021	(B,97,10)	RS1/16S101J
R 4022	(B,96,13)	RS1/16S470J
R 4031	(B,33,8)	RS1/16S472J
R 4033	(B,158,15)	RS1/16S0R0J
R 4034	(B,158,10)	RS1/16S392J
R 4035	(B,29,11)	RS1/16S123J
R 4036	(B,152,7)	RS1/16S122J
R 4037	(B,154,6)	RS1/16S222J
R 4041	(A,94,14)	RS1/16S391J
R 4042	(B,97,14)	RS1/16S391J
R 4051	(B,17,7)	RS1/16S271J
R 4052	(B,17,10)	RS1/16S271J
R 4053	(B,15,19)	RS1/16S271J
R 4054	(B,18,16)	RS1/16S271J
R 4055	(B,151,9)	RS1/16S101J
R 4056	(B,154,11)	RS1/16S221J
R 4057	(B,158,8)	RS1/16S101J
R 4058	(B,156,9)	RS1/16S221J
R 4071	(B,10,7)	RS1/16S151J
R 4072	(B,13,8)	RS1/16S101J
R 4073	(B,12,19)	RS1/16S151J
R 4074	(B,16,16)	RS1/16S101J
R 4075	(B,111,7)	RS1/16S151J
R 4076	(B,111,10)	RS1/16S101J
R 4077	(B,156,19)	RS1/16S151J
R 4078	(B,156,18)	RS1/16S101J
R 4079	(B,158,14)	RS1/16S151J
R 4080	(B,156,14)	RS1/16S101J
R 4093	(B,156,6)	RS1/16S0R0J
R 4094	(B,152,4)	RS1/16S0R0J
C 4001	(B,88,8)	CCSRCH102J25
C 4002	(B,90,7)	CKSRYB104K50
C 4003	(B,90,9)	CKSRYB104K50
C 4004	(B,87,10) 10 µF	CCG1171
C 4021	(B,100,9) 10 µF	CCG1171
C 4041	(B,94,9)	CKSRYB104K50
C 4071	(B,19,5)	CKSRYB104K50
C 4072	(B,10,4)	CKSRYB104K50
C 4073	(B,26,14)	CKSRYB104K50
C 4074	(B,10,19)	CKSRYB104K50

**CAPACITORS**

Circuit Symbol and No.Part No.Circuit Symbol and No.Part No.

C 4075 (A,112,8) CKSRYB104K50  
 C 4076 (A,128,5) CKSRYB104K50  
 A C 4077 (A,138,5) CKSRYB104K50  
 C 4078 (B,151,15) CKSRYB104K50  
 C 4079 (A,148,5) CKSRYB104K50

C 4080 (B,159,12) CKSRYB104K50

**C****Unit Number : CWX3533(UC)****Unit Number : CWX3534(EW5)****Unit Name : GPS Unit**MISCELLANEOUS

IC 401 (A,25,16) IC UPC2749T  
 IC 402 (B,20,27) IC UPB1027GS  
 IC 441 (A,33,30) IC NJM2100V  
 IC 461 (B,29,10) IC ADC12H034CIMSAS1  
 IC 501 (B,50,25) IC PD3390A

IC 502 (B,48,9) IC(UC) PEH100A8  
 (B,48,9) IC(EW5) PEH101A8  
 IC 503 (A,50,29) IC M5M5V216ATP-70HI  
 IC 504 (A,31,14) IC MAX6364PUT29  
 C IC 532 (A,47,15) IC(EW5) LC72720YVSS1  
 Q 441 (A,32,22) Transistor 2SB1132

D 401 (B,11,27) Diode 1SV314  
 D 501 (B,35,30) Diode RB751V-40  
 L 401 (B,12,29) Inductor CTF1549  
 L 402 (B,26,22) Inductor LCYC1R2K1608  
 L 403 (B,27,26) Inductor LCYC1R2K1608

L 404 (A,21,22) Inductor LCSA3N3R1608  
 L 405 (B,13,24) Inductor LCYB22NJ1608  
 L 406 (B,15,20) Inductor LCYB22NJ1608  
 L 407 (A,19,32) Inductor CTF1410  
 D L 408 (B,26,31) Inductor(UC) CTF1556  
 (B,26,31) Inductor(EW5) CTF1410

L 409 (B,19,12) Inductor LCYC1R0K2125  
 L 410 (B,26,17) Inductor CTF1547  
 L 412 (A,25,27) Inductor CTF1547  
 L 413 (A,25,26) Inductor CTF1547  
 L 414 (A,25,32) Inductor CTF1547

L 415 (A,26,29) Inductor CTF1547  
 L 416 (A,27,28) Inductor CTF1547  
 L 417 (B,25,20) Inductor CTF1547  
 L 418 (A,14,33) Inductor CTF1410  
 E L 441 (B,32,20) Inductor CTF1410

L 442 (A,29,25) Inductor CTF1410  
 L 461 (A,29,9) Inductor CTF1410  
 L 462 (A,31,8) Inductor CTF1410  
 L 467 (B,33,17) Inductor CTF1547  
 L 468 (B,32,17) Inductor CTF1547

L 469 (A,32,11) Inductor CTF1410  
 L 501 (B,38,17) Inductor CTF1410  
 L 502 (B,36,32) Inductor CTF1410  
 L 503 (B,59,6) Inductor CTF1410  
 L 504 (A,38,33) Inductor CTF1410

F L 531 (A,53,17) Inductor CTF1410  
 X 401 (A,14,27) TCXO 16.368 MHz CWX2381  
 X 501 (A,38,26) Radiator 32.768 kHz CSS1319

X 502 (B,36,26) Radiator 20.00 MHz CSS1549  
 X 532 (A,58,15) Radiator 4.332 MHz(EW5) CSS1550

F 401 (A,23,23) Filter CTF1548

RESISTORS

R 401 (B,11,26) RS1/16SS472J  
 R 402 (B,12,30) RS1/16SS472J  
 R 403 (B,14,32) RS1/16SS122J  
 R 404 (B,14,30) RS1/16SS622J  
 R 405 (A,23,26) RS1/16SS100J

R 406 (B,27,29) RS1/16S271J  
 R 407 (B,25,18) RS1/16S2R2J  
 R 441 (A,30,27) RN1/16SC10R0D  
 R 442 (B,33,24) RN1/16SE1501D  
 R 443 (B,31,24) RN1/16SE2402D

R 444 (B,31,26) RN1/16SE3302D  
 R 445 (B,32,33) RN1/16SE4702D  
 R 446 (B,30,32) RN1/16SE4702D  
 R 447 (A,33,25) RS1/16S432J  
 R 448 (B,32,30) RN1/16SE1002D

R 449 (B,33,32) RN1/16SE2202D  
 R 450 (B,32,32) RN1/16SE3302D  
 R 451 (A,29,32) RS1/16S103J  
 R 452 (B,34,27) RS1/16SS102J  
 R 454 (B,34,26) RS1/16SS102J

R 460 (B,22,13) RS1/16S0R0J  
 R 461 (A,37,5) RS1/16SS102J  
 R 462 (A,38,9) RS1/16SS102J  
 R 463 (B,36,12) RAB4CQ102J  
 R 464 (A,35,12) RAB4CQ333J

R 465 (A,39,8) RS1/16SS102J  
 R 468 (A,58,8) (EW5) RS1/16SS471J  
 R 469 (A,58,6) (EW5) RAB4CQ471J  
 R 470 (B,35,7) RAB4CQ471J  
 R 471 (B,35,4) RAB4CQ104J

R 477 (B,31,17) RS1/16SS222J  
 R 478 (B,30,16) RS1/16SS222J  
 R 479 (B,28,15) RS1/16SS222J  
 R 480 (B,29,17) RS1/16SS332J  
 R 481 (B,30,17) RS1/16SS332J

R 482 (A,38,6) RS1/16SS223J  
 R 483 (A,38,5) RS1/16SS473J  
 R 501 (B,39,27) RS1/16SS0R0J  
 R 502 (B,38,29) RS1/16SS102J  
 R 503 (B,39,26) RS1/16SS154J

R 508 (B,60,14) (UC) RS1/16SS103J  
 (B,60,14) (EW5) RS1/16SS472J  
 R 509 (B,34,15) RS1/16SS473J  
 R 510 (A,38,7) RS1/16SS102J  
 R 511 (A,34,19) RS1/16SS103J  
 R 512 (B,39,30) RS1/16SS473J

R 513 (B,60,16) RS1/16SS103J  
 R 514 (B,39,29) RS1/16SS473J  
 R 515 (A,30,12) RS1/16SS473J  
 R 517 (B,39,22) RS1/16SS103J  
 R 519 (B,39,21) RS1/16SS473J

R 521 (B,37,29) RS1/16SS473J  
 R 532 (A,43,10) (EW5) RS1/16SS104J  
 R 533 (A,40,18) (UC) RS1/16SS103J

**Circuit Symbol and No.**

(A,40,18) (EW5)  
 R 534 (A,41,19)  
 R 535 (A,38,13)

R 536 (A,39,18)  
 R 537 (A,38,15) (EW5)  
 R 538 (A,38,17) (EW5)

**CAPACITORS**

C 401 (A,25,13)  
 C 402 (A,24,20)  
 C 403 (A,27,16)  
 C 404 (A,20,24)  
 C 405 (B,14,27)

C 406 (B,14,29)  
 C 407 (B,13,32)  
 C 408 (B,12,32)  
 C 409 (A,21,29)  
 C 410 (B,28,32)

C 411 (A,21,27)  
 C 412 (A,21,28)  
 C 413 (A,20,31)  
 C 414 (A,24,32)  
 C 415 (A,25,30)

C 416 (A,24,28)  
 C 417 (B,25,22)  
 C 418 (A,21,32)  
 C 419 (B,39,32)  
 C 420 (A,14,32)

C 421 (B,26,27)  
 C 422 (B,25,26)  
 C 423 (B,26,24)  
 C 424 (B,27,22)  
 C 425 (B,29,23)

C 426 (B,28,26)  
 C 427 (B,25,25)  
 C 428 (B,15,24)  
 C 429 (B,12,24)  
 C 430 (B,13,22)

C 431 (B,14,20)  
 C 432 (B,16,22)  
 C 433 (B,19,9)  
 C 434 (B,19,14)  
 C 435 (B,20,14)

C 436 (B,31,22)  
 C 441 (B,31,28)  
 C 442 (A,30,29)  
 C 443 (A,30,32)  
 C 444 (B,33,22)

C 445 (A,29,30)  
 C 461 (A,28,5) 22  $\mu$ F/6.3 V  
 C 462 (A,31,9)  
 C 463 (A,27,9)  
 C 464 (B,31,5)

C 465 (B,31,4)  
 C 466 (B,32,4)  
 C 467 (B,33,4)  
 C 468 (A,30,11)  
 C 469 (B,27,4)

C 470 (B,26,15)

**Part No.**

RS1/16SS332J  
 RS1/16SS103J  
 RS1/16SS103J

RS1/16SS0R0J  
 RS1/16S0R0J  
 RS1/16SS0R0J

CCSRCH100D50  
 CCSSCH101J50  
 CKSSYB104K10  
 CCSSCH101J50  
 CCSRUJ220J50

CCSRUJ220J50  
 CKSSYB333K16  
 CKSSYB182K50  
 CSZS100M6R3  
 CKSSYB103K16

CKSSYB102K50  
 CKSSYB102K50  
 CKSSYB104K10  
 CKSSYB104K10  
 CKSSYB104K10

CKSSYB104K10  
 CKSSYB104K10  
 CKSSYB102K50  
 CKSSYB104K10  
 CKSSYB104K10

CKSSYB102K50  
 CKSSYB103K16  
 CKSSYB104K10  
 CCSRCH102J50  
 CCSRCH271J50

CCSRCH102J50  
 CKSSYB104K10  
 CKSSYB103K16  
 CCSRCH301J50  
 CCSSCH120J50

CCSRCH301J50  
 CKSSYB103K16  
 CCSRCH101J50  
 CKSSYB102K50  
 CKSSYB103K16

CKSSYB104K10  
 CKSRYB104K16  
 CCSRCH101J50  
 CKSRYB104K16  
 CKSSYB103K16

CKSSYB104K10  
 CCH1408  
 CKSRYB104K16  
 CKSRYB104K16  
 CKSSYB103K16

CKSSYB103K16  
 CKSSYB103K16  
 CKSSYB103K16  
 CKSSYB104K10  
 CSZS100M10

CKSSYB104K10

**Circuit Symbol and No.**

C 471 (B,37,6)  
 C 501 (B,39,19)  
 C 502 (B,37,22)  
 C 503 (B,38,22)

C 504 (B,40,17)  
 C 506 (B,60,19)  
 C 507 (B,60,21)  
 C 508 (B,60,26)  
 C 509 (B,60,30)

C 511 (B,41,34)  
 C 512 (B,38,31)  
 C 514 (A,31,17)  
 C 515 (B,39,24)  
 C 516 (B,59,11)

C 517 (A,51,21)  
 C 518 (A,39,32)  
 C 535 (A,55,15) (EW5)  
 C 539 (A,55,19) (EW5)  
 C 540 (A,53,12) (EW5)

C 541 (A,47,10) (EW5)  
 C 542 (A,45,10) (EW5)  
 C 543 (A,40,12) (EW5)  
 C 544 (A,50,10) (EW5)  
 C 545 (A,53,15) (EW5)

**Monitor Unit****Consists of****Monitor PCB****Upper PCB****Unit Number : CWN2304****Unit Name : Monitor Unit****MISCELLANEOUS**

IC 5101 (A,66,94) IC S-1131B15UC-N4A  
 IC 5102 (A,66,99) IC S-1131B25UC-N4K  
 IC 5103 (A,74,75) IC BD6171KV  
 IC 5201 (A,66,34) IC TA78L05F  
 IC 5202 (A,46,32) IC TC7SH08FUS1

IC 5203 (A,46,27) IC TC7SH08FUS1  
 IC 5204 (A,46,18) IC OZ9611SN  
 IC 5331 (A,85,109) IC TC7SH08FUS1  
 IC 5371 (A,94,105) IC TC7SH08FUS1  
 IC 5401 (A,37,93) IC TC90A96BFGSING

IC 5502 (A,14,80) IC TC7SET04FUS1  
 IC 5503 (A,12,85) IC NJM2100V  
 IC 5504 (A,56,83) IC TC7SET04FUS1  
 IC 5505 (A,15,74) IC TC7S66FU  
 IC 5506 (A,57,76) IC TC74VHC04FTS1

IC 5507 (A,11,66) IC NJM082BV  
 IC 5602 (A,140,96) IC S-80835CNNB-B8U  
 IC 5603 (A,125,83) IC PE5607A  
 IC 5604 (A,144,79) IC BR93L56FJ-W  
 IC 5606 (A,109,80) IC TC7SH08FUS1

IC 5607 (A,12,89) IC TC7SH08FUS1  
 Q 5101 (A,75,63) Chip Transistor DTC114EUA  
 Q 5102 (A,85,80) FET RSQ035P03  
 Q 5103 (A,84,73) FET RSQ035P03

**Part No.**

CCSSCH101J50  
 CKSSYB104K10  
 CCSRCH150J50  
 CCSRCH150J50

CKSSYB104K10  
 CKSSYB104K10  
 CKSSYB104K10  
 CKSSYB104K10  
 CKSSYB104K10

CKSSYB104K10  
 CKSSYB104K10  
 CSZS100M6R3  
 CKSSYB104K10  
 CKSSYB104K10

CKSSYB104K10  
 CKSSYB104K10  
 CSZS100M6R3  
 CCSRCH100D50  
 CCSRCH100D50

CCSRCH561J50  
 CKSSYB104K10  
 CSZS100M6R3  
 CCSRCH331J50  
 CKSSYB104K10

	<u>Circuit Symbol and No.</u>	<u>Part No.</u>	<u>Circuit Symbol and No.</u>	<u>Part No.</u>
	Q 5201 (A,78,18) Transistor	UMX2N	L 5108 (A,21,109) Inductor	CTF1635
A	Q 5202 (A,62,29) Transistor	2SC4617	L 5109 (A,58,107) Inductor	CTF1635
	Q 5203 (A,59,29) Transistor	2SC4617	L 5110 (A,60,89) Inductor	CTF1635
	Q 5204 (A,41,30) Transistor	2SA1774	L 5111 (A,60,92) Inductor	CTF1635
	Q 5205 (A,82,21) Transistor	2SC4617	L 5112 (A,57,101) Inductor	CTF1635
	Q 5206 (A,85,21) Transistor	2SC4617	L 5113 (A,84,97) Choke Coil 18 $\mu$ H	CTH1250
	Q 5301 (A,74,109) Transistor	2SC4081	L 5114 (A,65,84) Inductor	CTF1635
Q 5302 (A,62,111) Transistor	2SA1576A	L 5115 (A,93,63) Inductor	CTF1635	
Q 5401 (A,39,113) Transistor	2SC4617	L 5116 (A,63,63) Inductor	CTF1635	
Q 5501 (A,9,55) Transistor	UMX2N	L 5201 (A,80,33) Coil	CTH1338	
Q 5502 (A,13,55) Transistor	UMT2N	L 5202 (A,43,29) Inductor	CTF1306	
B	Q 5602 (A,109,96) Transistor	2SA1576A	L 5301 (A,69,112) Inductor	LCKAW220J2520
	Q 5603 (A,106,95) Chip Transistor	DTC114EUA	L 5302 (A,65,112) Inductor	LCKAW270J2520
	Q 5604 (A,115,96) Transistor	2SA1576A	L 5303 (A,59,103) Inductor	LCKAW101J2520
	Q 5605 (A,112,95) Chip Transistor	DTC114EUA	L 5331 (A,81,107) Inductor	CTF1635
	Q 5611 (A,127,69) Transistor	2SC4617	L 5371 (A,96,102) Inductor	CTF1306
	Q 5701 (A,137,63) Transistor	UMF5N	L 5401 (A,48,111) Inductor	CTF1306
Q 5702 (A,141,63) Transistor	UMF5N	L 5402 (A,42,113) Inductor	CTF1306	
Q 5703 (A,128,63) Transistor	FMG12	L 5403 (A,40,114) Inductor	CTF1306	
Q 5705 (A,70,8) FET	TS8M1	L 5404 (A,34,112) Inductor	CTF1306	
Q 5706 (A,62,8) FET	TS8M1	L 5405 (A,24,110) Inductor	CTF1306	
C	D 5005 (A,122,33) Diode	UDZS5R6(B)	L 5406 (A,33,112) Inductor	CTF1306
	D 5006 (A,114,39) Diode	UDZS5R6(B)	L 5407 (A,26,110) Inductor	CTF1306
	D 5007 (A,119,39) Diode	UDZS5R6(B)	L 5408 (A,36,112) Inductor	CTF1306
	D 5008 (A,122,37) Diode	UDZS5R6(B)	L 5409 (A,52,109) Inductor	CTF1306
	D 5101 (A,73,95) Diode	RB500V-40	L 5410 (A,50,107) Inductor	CTF1306
	D 5102 (A,73,100) Diode	RB500V-40	L 5411 (A,50,111) Inductor	CTF1306
	D 5103 (A,87,85) Diode	RSX201L-30	L 5412 (A,54,103) Inductor	CTF1306
	D 5104 (A,87,70) Diode	RB160M-30	L 5413 (A,21,107) Inductor	CTF1306
	D 5105 (A,83,64) Diode	RB548W	L 5414 (A,20,106) Inductor	CTF1306
	D 5106 (A,81,64) Diode	RB548W	L 5415 (A,20,104) Inductor	CTF1306
D	D 5107 (A,72,64) Diode	RB548W	L 5416 (A,17,103) Inductor	CTF1306
	D 5108 (A,70,64) Diode	RB548W	L 5417 (A,17,102) Inductor	CTF1306
	D 5109 (A,68,64) Diode	RB548W	L 5418 (A,54,100) Inductor	CTF1306
	D 5201 (A,62,26) Diode	UDZS6R2(B)	L 5419 (A,20,101) Inductor	CTF1306
	D 5202 (A,41,36) Diode	1SS355	L 5420 (A,54,98) Inductor	CTF1306
	D 5203 (A,48,30) Diode	RB751V-40	L 5421 (A,17,98) Inductor	CTF1306
	D 5204 (A,67,6) Diode	UDZS6R2(B)	L 5422 (A,19,96) Inductor	CTF1306
	D 5205 (A,57,5) Diode	UDZS6R2(B)	L 5423 (A,15,96) Inductor	CTF1306
	D 5206 (A,82,23) Diode	UDZS8R2(B)	L 5424 (A,15,95) Inductor	CTF1306
	D 5207 (A,101,7) Diode	MA147	L 5425 (A,54,94) Inductor	CTF1306
E	D 5208 (A,98,8) Diode	UDZS6R2(B)	L 5426 (A,19,93) Inductor	CTF1306
	D 5209 (A,107,7) Diode	MA147	L 5427 (A,19,92) Inductor	CTF1306
	D 5271 (B,38,10) LED	CL-197HB1-D(CDE)	L 5428 (A,54,91) Inductor	CTF1306
	D 5272 (B,52,10) LED	CL-197HB1-D(CDE)	L 5429 (A,19,90) Inductor	CTF1306
	D 5273 (B,37,10) LED	CL-195SR-CD	L 5430 (A,19,89) Inductor	CTF1306
	D 5274 (B,50,10) LED	CL-195SR-CD	L 5431 (A,54,88) Inductor	CTF1306
	D 5275 (B,64,10) LED	CL-195SR-CD	L 5432 (A,54,86) Inductor	CTF1306
	D 5701 (A,132,63) Diode	MA111	L 5433 (A,19,87) Inductor	CTF1306
	D 5933 (B,65,10) LED	CL-197HB1-D(CDE)	L 5434 (A,19,85) Inductor	CTF1306
	D 5971 (A,46,11) LED	CL-197HB1-D(CDE)	L 5435 (A,19,83) Inductor	CTF1306
F	D 5972 (A,57,11) LED	CL-197HB1-D(CDE)	L 5436 (A,19,82) Inductor	CTF1306
	D 5981 (A,46,13) LED	CL-195SR-CD	L 5437 (A,54,83) Inductor	CTF1306
	D 5982 (A,57,13) LED	CL-195SR-CD	L 5438 (A,19,80) Inductor	CTF1306
	L 5101 (A,55,107) Inductor	CTF1635	L 5439 (A,47,73) Ferrite Bead	CTF1528
	L 5102 (A,93,95) Choke Coil 10 $\mu$ H	CTH1249	L 5440 (A,47,75) Ferrite Bead	CTF1528
	L 5103 (A,84,90) Choke Coil 18 $\mu$ H	CTH1250	L 5441 (A,46,74) Ferrite Bead	CTF1528
	L 5104 (A,77,54) Inductor	CTF1488	L 5442 (A,46,76) Ferrite Bead	CTF1528
	L 5105 (A,89,65) Choke Coil 68 $\mu$ H	CTH1318	L 5443 (A,45,74) Ferrite Bead	CTF1528
	L 5107 (A,84,61) Inductor	DTL1096	L 5444 (A,45,76) Ferrite Bead	CTF1528

<u>Circuit Symbol and No.</u>	<u>Part No.</u>
L 5445 (A,43,74) Inductor	CTF1306
L 5446 (A,39,77) Ferrite Bead	CTF1528
L 5447 (A,39,75) Ferrite Bead	CTF1528
L 5448 (A,38,77) Ferrite Bead	CTF1528
L 5449 (A,38,75) Ferrite Bead	CTF1528
L 5450 (A,37,77) Ferrite Bead	CTF1528
L 5451 (A,37,75) Ferrite Bead	CTF1528
L 5452 (A,36,74) Inductor	CTF1306
L 5453 (A,35,75) Ferrite Bead	CTF1528
L 5454 (A,35,77) Ferrite Bead	CTF1528
L 5455 (A,34,73) Ferrite Bead	CTF1528
L 5456 (A,33,77) Ferrite Bead	CTF1528
L 5457 (A,33,75) Ferrite Bead	CTF1528
L 5458 (A,33,73) Ferrite Bead	CTF1528
L 5459 (A,28,75) Ferrite Bead	CTF1528
L 5460 (A,29,77) Ferrite Bead	CTF1528
L 5461 (A,27,75) Ferrite Bead	CTF1528
L 5462 (A,27,77) Ferrite Bead	CTF1528
L 5463 (A,25,75) Ferrite Bead	CTF1528
L 5464 (A,26,77) Ferrite Bead	CTF1528
L 5465 (A,25,77) Ferrite Bead	CTF1528
L 5466 (A,48,75) Inductor	CTF1306
L 5467 (A,31,74) Inductor	CTF1306
L 5468 (A,30,74) Inductor	CTF1306
L 5469 (A,50,74) Inductor	CTF1306
L 5470 (A,42,74) Inductor	CTF1306
L 5471 (A,41,74) Inductor	CTF1306
L 5472 (A,19,78) Inductor	LCKAW101J2520
L 5490 (A,21,99) Inductor	CTF1306
L 5491 (A,18,99) Inductor	CTF1306
L 5492 (A,21,98) Inductor	CTF1306
L 5501 (A,15,77) Inductor	CTF1306
L 5502 (A,7,79) Inductor	LCKAW101J2520
L 5503 (A,9,75) Inductor	LCKAW101J2520
L 5504 (A,53,62) Inductor	CTF1306
L 5505 (A,22,70) Inductor	DTL1096
L 5506 (A,15,65) Inductor	DTL1096
L 5508 (A,49,72) Inductor	CTF1306
L 5509 (A,28,70) Inductor	CTF1635
L 5510 (A,20,70) Inductor	CTF1635
L 5511 (A,62,82) Inductor	CTF1635
L 5601 (A,124,62) Inductor	CTF1635
L 5607 (A,15,92) Inductor	CTF1635
L 5701 (A,137,58) Inductor	CTF1379
T 5201 (B,92,10) Transformer	CTT1130
TH5601 (A,118,107) Thermistor	CCX1051
X 5401 (A,45,112) Crystal Resonator 42 MHz	CSS1604
X 5601 (A,126,96) Radiator 12.58 MHz	CSS1601
S 5251 (B,65,14) Push Switch	CSG1155
S 5252 (B,51,14) Push Switch	CSG1155
S 5253 (B,37,14) Push Switch	CSG1155
VR5201 (A,37,24) Semi-fixed 15 kohm(B)	CCP1397

## RESISTORS

R 5001 (A,117,34)	RS1/16S0R0J
R 5002 (A,116,34)	RS1/16S0R0J
R 5003 (A,114,34)	RS1/16S0R0J
R 5004 (A,119,34)	RS1/16S0R0J
R 5005 (A,99,48)	RS1/16SS0R0J

<u>Circuit Symbol and No.</u>	<u>Part No.</u>
R 5006 (A,100,48)	RS1/16SS0R0J
R 5008 (A,98,48)	RS1/16SS0R0J
R 5015 (A,108,100)	RS1/16S101J
R 5016 (A,107,99)	RS1/16S0R0J
R 5019 (A,111,97)	RS1/16S0R0J
R 5020 (A,114,99)	RS1/16S0R0J
R 5101 (A,70,94)	RS1/16SS684J
R 5102 (A,70,99)	RS1/16SS474J
R 5103 (A,70,89)	RS1/16S0R0J
R 5104 (A,72,90)	RS1/16S6801F
R 5105 (A,89,95)	RS1/16S0R0J
R 5106 (A,80,88)	RS1/16S0R0J
R 5107 (A,75,90)	RS1/16S201J
R 5108 (A,81,86)	RS1/16S1001D
R 5109 (A,71,88)	RS1/16S1001D
R 5110 (A,75,88)	RS1/16S682J
R 5111 (A,66,81)	RS1/16S5100F
R 5112 (A,81,84)	RS1/16S1600D
R 5113 (A,78,87)	RS1/16S102J
R 5114 (A,69,82)	RS1/16S0R0J
R 5115 (A,78,85)	RS1/16S2700D
R 5116 (A,66,82)	RS1/16S2001F
R 5117 (A,73,85)	RS1/16S684J
R 5118 (A,77,82)	RS1/16S333J
R 5119 (A,73,82)	RS1/16S123J
R 5120 (A,82,81)	RS1/16S273J
R 5121 (A,83,83)	RS1/16S150J
R 5122 (A,87,73)	RS1/16S150J
R 5123 (A,82,75)	RS1/16S563J
R 5124 (A,74,67)	RS1/16S5102D
R 5125 (A,68,68)	RS1/16S0R0J
R 5126 (A,67,70)	RS1/16S1002F
R 5127 (A,76,65)	RS1/16S4300D
R 5128 (A,66,69)	RS1/16S1802F
R 5129 (A,77,67)	RS1/16S1802D
R 5130 (A,66,66)	RS1/16S2202F
R 5131 (A,66,64)	RS1/16S0R0J
R 5132 (A,78,64)	RS1/16S3303D
R 5133 (A,81,69)	RS1/16S0R0J
R 5134 (A,79,61)	RS1/16S0R0J
R 5201 (A,49,33)	RS1/16S103J
R 5202 (A,60,27)	RS1/16S103J
R 5203 (A,62,28)	RS1/16S104J
R 5204 (A,46,34)	RS1/16S103J
R 5205 (A,58,32)	RS1/16S473J
R 5206 (A,42,33)	RS1/16S472J
R 5207 (A,60,32)	RS1/16S105J
R 5208 (A,40,33)	RS1/16S473J
R 5209 (A,41,27)	RS1/16S333J
R 5210 (A,50,25)	RS1/16S513J
R 5211 (A,48,27)	RS1/16S103J
R 5212 (A,54,15)	RS1/16S105J
R 5213 (A,45,29)	RS1/16S102J
R 5214 (A,38,20)	RS1/16S5602D
R 5215 (A,65,6)	RS1/16S103J
R 5216 (A,59,5)	RS1/16S103J
R 5217 (A,79,20)	RS1/16S103J
R 5218 (A,86,18)	RS1/16S621J
R 5219 (A,79,22)	RS1/16S104J
R 5220 (A,85,24)	RS1/16S473J

Circuit Symbol and No.Part No.Circuit Symbol and No.Part No.

A	R 5221	(A,83,16)	RS1/16S621J	R 5503	(A,7,86)	RS1/16S101J
	R 5222	(A,82,18)	RS1/16S101J	R 5504	(A,17,75)	RS1/16SS681J
	R 5223	(A,81,18)	RS1/16S101J	R 5506	(A,13,82)	RS1/16S101J
	R 5224	(A,75,18)	RS1/16S821J	R 5507	(A,13,71)	RS1/16SS472J
	R 5225	(A,95,8)	RS1/16S471J	R 5508	(A,8,65)	RS1/16S3302F
	R 5227	(A,40,19)	RS1/16S0R0J	R 5509	(A,57,64)	RS1/16S6800D
	R 5253	(B,56,13)	RS1/16S122J	R 5510	(A,11,60)	RS1/16S223J
	R 5254	(B,42,13)	RS1/16S222J	R 5512	(A,52,64)	RS1/16S27R0D
	R 5271	(A,31,9)	RS1/16S331J	R 5513	(A,54,64)	RS1/16S12R0D
	R 5272	(A,32,9)	RS1/16S331J	R 5514	(A,56,63)	RS1/16S1000D
B	R 5273	(A,34,9)	RS1/16S331J	R 5515	(A,59,66)	RS1/16S82R0F
	R 5274	(A,31,5)	RS1/16S221J	R 5516	(A,58,70)	RS1/16S56R0D
	R 5275	(A,32,5)	RS1/16S271J	R 5517	(A,57,70)	RS1/16S47R0D
	R 5279	(A,31,11)	RS1/16S181J	R 5518	(A,56,70)	RS1/16S36R0D
	R 5280	(A,32,11)	RS1/16S271J	R 5519	(A,54,70)	RS1/16S33R0F
	R 5301	(A,77,112)	RS1/16S0R0J	R 5520	(A,53,70)	RS1/16S27R0D
	R 5302	(A,77,110)	RS1/16S104J	R 5521	(A,51,70)	RS1/16S1800D
	R 5303	(A,74,107)	RS1/16S153J	R 5522	(A,50,70)	RS1/16S82R0F
	R 5304	(A,71,107)	RS1/16S104J	R 5523	(A,49,70)	RS1/16S12R0F
	R 5305	(A,69,109)	RS1/16S681J	R 5524	(A,8,62)	RS1/16S5602F
C	R 5306	(A,71,109)	RS1/16S471J	R 5525	(A,9,60)	RS1/16S101J
	R 5307	(A,64,109)	RS1/16S272J	R 5526	(A,8,52)	RS1/16SS153J
	R 5308	(A,60,111)	RS1/16S392J	R 5527	(A,14,52)	RS1/16S153J
	R 5331	(A,89,109)	RS1/16S103J	R 5528	(A,11,55)	RS1/16SS0R0J
	R 5332	(A,88,107)	RS1/16SS0R0J	R 5529	(A,12,52)	RS1/16S0R0J
	R 5333	(A,81,109)	RS1/16S101J	R 5530	(A,32,66)	RS1/16SS102J
	R 5351	(A,101,62)	RS1/16S75R0D	R 5531	(A,9,58)	RS1/16S100J
	R 5352	(A,103,66)	RS1/16S220J	R 5532	(A,11,57)	RS1/16SS100J
	R 5353	(A,103,59)	RS1/16S75R0D	R 5533	(A,9,52)	RS1/16S0R0J
	R 5354	(A,105,63)	RS1/16S220J	R 5534	(A,11,52)	RS1/16S0R0J
D	R 5355	(A,105,56)	RS1/16S75R0D	R 5601	(A,107,92)	RS1/16S273J
	R 5356	(A,107,59)	RS1/16S220J	R 5602	(A,109,94)	RS1/16S473J
	R 5357	(A,32,115)	RS1/16SS105J	R 5603	(A,15,88)	RS1/16S471J
	R 5358	(A,33,115)	RS1/16SS105J	R 5604	(A,136,93)	RS1/16SS0R0J
	R 5359	(A,34,115)	RS1/16SS105J	R 5605	(A,113,92)	RS1/16S273J
	R 5371	(A,98,104)	RS1/10S103J	R 5606	(A,115,93)	RS1/16S473J
	R 5372	(A,96,104)	RS1/16SS0R0J	R 5607	(A,139,93)	RS1/16S103J
	R 5373	(A,91,107)	RS1/16S101J	R 5608	(A,137,93)	RS1/16SS0R0J
	R 5401	(A,44,108)	RS1/16SS391J	R 5609	(A,133,98)	RS1/16S104J
	R 5402	(A,59,113)	RS1/16S0R0J	R 5610	(A,113,82)	RAB4CQ471J
E	R 5403	(A,45,108)	RS1/16SS105J	R 5611	(A,126,71)	RS1/16S473J
	R 5404	(A,39,110)	RS1/16SS331J	R 5612	(A,126,67)	RS1/16S103J
	R 5405	(A,37,111)	RS1/16SS152J	R 5614	(A,113,78)	RAB4CQ471J
	R 5407	(A,18,106)	RS1/16S0R0J	R 5619	(A,138,79)	RS1/16S471J
	R 5408	(A,17,105)	RS1/16S101J	R 5620	(A,125,70)	RS1/16S471J
	R 5410	(A,15,103)	RS1/16S101J	R 5621	(A,121,66)	RS1/16S470J
	R 5414	(A,17,93)	RS1/16SS333J	R 5623	(A,121,69)	RS1/16S470J
	R 5418	(A,44,70)	RAB4CQ221J	R 5624	(A,120,69)	RS1/16S272J
	R 5419	(A,41,70)	RAB4CQ221J	R 5625	(A,120,66)	RS1/16S272J
	R 5420	(A,35,71)	RAB4CQ221J	R 5630	(A,118,108)	RS1/16S153J
F	R 5421	(A,22,76)	RAB4CQ221J	R 5631	(A,133,95)	RS1/16S101J
	R 5422	(A,47,71)	RS1/16SS221J	R 5633	(A,116,66)	RAB4CQ473J
	R 5423	(A,46,70)	RS1/16SS221J	R 5636	(A,138,81)	RAB4CQ102J
	R 5424	(A,38,73)	RS1/16SS221J	R 5637	(A,144,75)	RS1/16S473J
	R 5425	(A,37,73)	RS1/16SS221J	R 5638	(A,141,84)	RS1/16S473J
	R 5426	(A,33,71)	RS1/16SS221J	R 5640	(A,130,70)	RS1/16S471J
	R 5427	(A,32,71)	RS1/16SS221J	R 5641	(A,121,96)	RAB4CQ472J
	R 5428	(A,30,72)	RS1/16SS221J	R 5646	(A,131,70)	RS1/16S102J
	R 5429	(A,28,73)	RS1/16SS221J	R 5651	(A,119,62)	RS1/16S0R0J
	R 5430	(A,25,74)	RS1/16SS221J	R 5652	(A,113,85)	RAB4CQ471J

**Circuit Symbol and No.****Part No.****Circuit Symbol and No.****Part No.**

R 5659 (A,124,106)  
R 5674 (A,138,84)  
R 5675 (A,138,86)  
R 5678 (A,141,92)  
R 5680 (A,143,92)

RS1/16S473J  
RS1/16S473J  
RS1/16S473J  
RS1/16S473J  
RS1/16S473J

R 5683 (A,145,87)  
R 5684 (A,146,92)  
R 5692 (A,131,98)  
R 5693 (A,131,95)  
R 5694 (A,130,95)

RS1/16S473J  
RS1/16S473J  
RS1/16S104J  
RS1/16S471J  
RS1/16S471J

R 5696 (A,130,98)  
R 5699 (A,113,88)  
R 5701 (A,140,66)  
R 5702 (A,137,66)  
R 5703 (A,137,60)

RS1/16S473J  
RS1/16S104J  
RS1/16S0R0J  
RS1/16S0R0J  
RS1/16S103J

R 5704 (A,141,60)  
R 5705 (A,137,59)  
R 5706 (A,141,59)  
R 5707 (A,134,59)  
R 5708 (A,131,59)

RS1/16S103J  
RS1/16S103J  
RS1/16S103J  
RS1/16S105J  
RS1/16S105J

R 5709 (A,129,59)  
R 5710 (A,127,59)  
R 5711 (A,122,105)  
R 5801 (A,8,92)  
R 5802 (A,9,92)

RS1/16S102J  
RS1/16S102J  
RS1/16S104J  
RS1/16SS104J  
RS1/16SS104J

R 5803 (A,10,92)  
R 5811 (A,11,109)  
R 5812 (A,10,109)  
R 5813 (A,7,92)  
R 5814 (A,9,109)

RS1/16SS104J  
RS1/16SS473J  
RS1/16SS473J  
RS1/16SS473J  
RS1/16SS472J

R 5849 (A,111,38)  
R 5971 (A,53,6)  
R 5972 (A,50,6)  
R 5981 (A,53,8)  
R 5982 (A,50,8)

RS1/16S0R0J  
RS1/16S151J  
RS1/16S391J  
RS1/16S271J  
RS1/16S271J

**CAPACITORS**

C 5001 (A,121,32)  
C 5002 (A,116,39)  
C 5003 (A,120,39)  
C 5004 (A,121,35)  
C 5101 (A,55,111)

CKSRYB102K50  
CKSRYB102K50  
CKSRYB102K50  
CKSRYB102K50  
CKSYB105K16

C 5102 (A,20,112)  
C 5103 (A,57,111)  
C 5104 (A,76,96)  
C 5105 (A,60,87)  
C 5106 (A,57,92)

CSZSR330M10  
CKSYB105K16  
CKSSYB104K10  
CSZS100M16  
CSZSR220M10

C 5107 (A,79,98)  
C 5108 (A,57,97)  
C 5109 (A,65,91)  
C 5110 (A,63,89)  
C 5111 (A,65,103)

CSZSR330M10  
CSZSR220M10  
CSZS100M10  
CKSSYB104K10  
CSZS100M10

C 5112 (A,65,105)  
C 5113 (A,70,93)  
C 5114 (A,71,95)  
C 5115 (A,70,97)  
C 5116 (A,71,100)

CKSSYB104K10  
CKSSYB104K10  
CKSRYB105K10  
CKSSYB104K10  
CKSQYF105Z25

C 5117 (A,94,89)  
C 5118 (A,95,88)

CSZS100M16  
CKSRYB105K10

C 5119 (A,65,86)  
C 5121 (A,73,88)  
C 5122 (A,89,89) 68  $\mu$ F/6.3 V

CKSRYB104K50  
CKSRYB473K50  
CCH1440

C 5123 (A,78,89)  
C 5124 (A,92,90)  
C 5125 (A,70,85)  
C 5126 (A,68,86)  
C 5127 (A,75,85)

CCSRCH331J50  
CKSRYB104K50  
CKSRYB104K50  
CSZS100M16  
CKSRYB103K50

C 5128 (A,77,85)  
C 5130 (A,78,82)  
C 5131 (A,75,82)  
C 5132 (A,71,85)  
C 5133 (A,93,81)

CCSRCH101J50  
CKSRYB103K50  
CKSRYB393K16  
CKSRYB393K16  
CKSRYB103K50

C 5134 (A,80,81)  
C 5135 (A,88,81) 10  $\mu$ F  
C 5136 (A,66,78)  
C 5137 (A,91,81) 10  $\mu$ F  
C 5138 (A,76,56)

CKSRYB104K50  
CCG1223  
CKSRYB393K16  
CCG1223  
CKSRYB224K16

C 5139 (A,81,78)  
C 5140 (A,81,77)  
C 5141 (A,91,73) 10  $\mu$ F  
C 5143 (A,88,73)  
C 5144 (A,66,74)

CKSRYB105K10  
CKSRYB102K50  
CCG1223  
CKSRYB103K50  
CKSRYB102K50

C 5145 (A,80,75)  
C 5146 (A,65,71)  
C 5147 (A,82,71)  
C 5148 (A,80,71)  
C 5149 (A,71,68)

CKSRYB104K50  
CKSRYB105K10  
CKSRYB105K10  
CKSRYB103K50  
CKSRYB104K50

C 5150 (A,76,60)  
C 5151 (A,81,67)  
C 5152 (A,79,67)  
C 5153 (A,96,69)  
C 5154 (A,76,59)

CKSYB475K16  
CKSRYB472K50  
CKSRYB472K50  
CKSRYB104K50  
CKSRYB103K50

C 5155 (A,72,66)  
C 5156 (A,71,66)  
C 5157 (A,69,66)  
C 5158 (A,94,68) 33  $\mu$ F/10 V  
C 5159 (A,94,60)

CKSRYB104K50  
CKSRYB104K50  
CKSRYB104K50  
CCH1586  
CKSQYF105Z25

C 5160 (A,81,61)  
C 5161 (A,83,61)  
C 5163 (A,70,60)  
C 5164 (A,68,60)  
C 5165 (A,66,60)

CKSRYB104K50  
CKSQYF105Z25  
CKSQYF105Z25  
CKSQYF105Z25  
CKSQYF225Z16

C 5166 (A,64,60)  
C 5167 (A,84,68)  
C 5168 (A,68,66)  
C 5169 (A,83,58)  
C 5170 (A,62,60)

CKSQYF225Z16  
CKSRYB105K10  
CKSRYB105K10  
CKSQYF105Z25  
CKSQYF105Z25

C 5201 (A,77,26) 10  $\mu$ F  
C 5202 (A,74,26) 10  $\mu$ F  
C 5204 (A,66,31)  
C 5205 (A,62,34)  
C 5206 (A,43,32)

CCG1223  
CCG1223  
CKSRYB104K50  
CKSRYB105K10  
CKSRYB104K50

C 5207 (A,52,17)  
C 5208 (A,51,21)  
C 5209 (A,52,15)  
C 5211 (A,51,18)  
C 5212 (A,52,22)

CKSRYB104K50  
CKSRYB104K50  
CKSRYB105K10  
CKSRYB474K10  
CKSRYB332K50

C 5213 (A,52,19)  
C 5214 (A,52,25)

CKSRYB105K10  
CKSRYB152K50

**Circuit Symbol and No.****Part No.****Circuit Symbol and No.****Part No.**

C 5215	(A,45,25)	CKSRYB104K50	C 5435	(A,52,103)	CKSSYB104K10
C 5216	(A,54,17)	CKSRYB103K50	C 5436	(A,23,106)	CKSSYB104K10
C 5217	(A,40,21)	CKSRYB473K50	C 5437	(A,19,102)	CKSSYB104K10
<b>A</b>					
C 5218	(A,40,16)	CKSRYB473K50	C 5438	(A,52,100)	CKSSYB104K10
C 5219	(A,40,17)	CKSRYB221K50	C 5439	(A,21,101)	CKSSYB104K10
C 5220	(A,66,11) 10 $\mu$ F	CCG1236	C 5440	(A,52,98)	CKSSYB104K10
C 5221	(A,58,10) 10 $\mu$ F	CCG1236	C 5441	(A,21,96)	CKSSYB104K10
C 5222	(A,72,9)	CKSRYB105K10	C 5442	(A,52,94)	CKSSYB104K10
<b>B</b>					
C 5223	(A,74,9)	CKSRYB105K10	C 5443	(A,18,94)	CKSSYB104K10
C 5224	(A,84,18)	CKSRYB104K50	C 5444	(A,21,93)	CKSSYB104K10
C 5225	(B,112,10) 22 pF	CCG1214	C 5445	(A,52,92)	CKSSYB104K10
C 5226	(A,104,7)	CKSRYB223K50	C 5447	(A,21,90)	CKSSYB104K10
C 5271	(B,41,11)	CKSRYB104K50	C 5448	(A,21,89)	CKSSYB104K10
<b>B</b>					
C 5272	(B,54,9)	CKSRYB104K50	C 5449	(A,52,88)	CKSSYB104K10
C 5273	(B,67,9)	CKSRYB104K50	C 5450	(A,52,86)	CKSSYB104K10
C 5301	(A,74,112)	CKSQYB106K6R3	C 5451	(A,21,87)	CKSSYB104K10
C 5302	(A,69,110)	CCSRCH470J50	C 5453	(A,21,86)	CKSSYB104K10
C 5303	(A,67,109)	CCSRCH680J50	C 5454	(A,22,84)	CKSSYB104K10
<b>C</b>					
C 5304	(A,65,114)	CCSRCH5R0C50	C 5455	(A,22,82)	CKSSYB104K10
C 5305	(A,65,109)	CCSRCH470J50	C 5456	(A,52,82)	CKSSYB104K10
C 5306	(A,61,109)	CKSRYB104K50	C 5457	(A,21,80)	CKSRYB105K10
C 5307	(A,62,106)	CSZSR330M10	C 5458	(A,50,77)	CKSSYB104K10
C 5331	(A,85,106)	CKSQYB106K6R3	C 5459	(A,43,76)	CKSSYB104K10
<b>C</b>					
C 5351	(A,101,69)	CCSRCH331J50	C 5460	(A,42,77)	CKSSYB104K10
C 5352	(A,103,69)	CCSRCH331J50	C 5461	(A,40,77)	CKSSYB104K10
C 5353	(A,105,66)	CCSRCH331J50	C 5462	(A,36,77)	CKSSYB104K10
C 5354	(A,34,117)	CKSSYB104K16	C 5463	(A,31,77)	CKSSYB104K10
C 5355	(A,33,117)	CKSSYB104K16	C 5464	(A,30,77)	CKSSYB104K10
<b>D</b>					
C 5356	(A,32,117)	CKSSYB104K16	C 5465	(A,48,77)	CKSSYB104K10
C 5372	(A,94,104)	CKSSYF104Z16	C 5466	(A,52,75)	CSZSR330M10
C 5373	(A,94,108)	CCSRCH151J50	C 5505	(A,13,78)	CKSSYB104K10
C 5374	(A,94,102) 10 $\mu$ F	CCG1171	C 5507	(A,13,87)	CKSSYB104K10
C 5401	(A,46,110)	CCSSCH9R0D50	C 5508	(A,13,76)	CKSRYB105K10
<b>D</b>					
C 5402	(A,44,110)	CCSSCH9R0D50	C 5509	(A,58,82)	CKSSYB104K10
C 5403	(A,41,110)	CKSSYB104K10	C 5510	(A,14,71)	CKSRYB105K10
C 5404	(A,32,110)	CKSSYB104K10	C 5511	(A,8,70)	CKSSYB104K10
C 5405	(A,30,110)	CKSSYB104K10	C 5512	(A,13,61)	CKSRYB104K50
C 5406	(A,29,110)	CKSSYB104K10	C 5513	(A,10,72)	CSZSR220M16
<b>E</b>					
C 5407	(A,38,110)	CCSSCH4R0C50	C 5514	(A,10,79) 4.7 $\mu$ F	CCG1111
C 5410	(A,49,108)	CKSSYB104K10	C 5515	(A,8,68)	CKSRYB105K10
C 5411	(A,46,108)	CKSSYB104K10	C 5516	(A,61,74)	CKSSYB104K10
C 5412	(A,42,108)	CKSSYB104K10	C 5517	(A,62,77)	CSZS100M16
C 5413	(A,40,111)	CKSSYB103K16	C 5518	(A,12,60)	CKSRYB104K50
<b>E</b>					
C 5414	(A,41,108)	CCSSCH181J25	C 5519	(A,27,72)	CKSSYB104K10
C 5415	(A,40,108)	CKSSYB104K10	C 5520	(A,25,72)	CKSSYB104K10
C 5416	(A,38,108)	CKSSYB104K10	C 5521	(A,19,73)	CKSRYB104K50
C 5417	(A,27,114)	CKSSYB104K10	C 5522	(A,14,68)	CKSRYB104K50
C 5418	(A,26,114)	CKSSYB104K10	C 5523	(A,29,68)	CSZSR220M16
<b>F</b>					
C 5419	(A,37,109)	CKSSYB104K10	C 5524	(A,24,69)	CSZS100M16
C 5420	(A,36,108)	CKSSYB104K10	C 5525	(A,21,67)	CKSQYF334Z25
C 5421	(A,23,113)	CKSSYB104K10	C 5526	(A,16,69) 4.7 $\mu$ F	CCG1111
C 5422	(A,24,113)	CKSSYB104K10	C 5527	(A,30,65)	CKSSYB104K10
C 5423	(A,34,108)	CKSSYB104K10	C 5528	(A,26,66)	CKSSYB104K10
<b>F</b>					
C 5424	(A,27,112)	CKSSYB104K10	C 5529	(A,22,65)	CKSRYB104K50
C 5428	(A,32,108)	CKSSYB104K10	C 5530	(A,19,67)	CKSRYB104K50
C 5429	(A,28,110)	CKSSYB104K10	C 5601	(A,138,96)	CKSRYB103K50
C 5430	(A,27,110)	CKSSYB104K10	C 5602	(A,142,96)	CKSSYF104Z16
C 5431	(A,28,108)	CKSSYB104K10	C 5603	(A,107,81)	CKSSYB103K25
<b>F</b>					
C 5433	(A,24,108)	CKSSYB104K10	C 5604	(A,128,94)	CKSSYF104Z16
C 5434	(A,52,105)	CKSSYB104K10	C 5605	(A,123,57)	CSZSR330M10

<u>Circuit Symbol and No.</u>		<u>Part No.</u>	<u>Circuit Symbol and No.</u>		<u>Part No.</u>
C 5606	(A,144,83)	CKSSYF104Z16	IC 1871	(A,146,90) IC	S-812C33AMC-C2N
C 5607	(A,123,59)	CKSSYF104Z16	IC 1872	(B,138,89) IC	S-L2980A50MC-C7J
C 5609	(A,13,91)	CKSSYB103K25	IC 1901	(A,166,85) IC	NJM2391DL1-33
C 5611	(A,128,71)	CKSRYB105K10	IC 1971	(B,104,48) IC	NJM2794RB2
C 5612	(A,128,67)	CKSSYF104Z16	IC 1972	(A,101,116) IC	TC74VHC08FTS1
C 5631	(A,116,71)	CKSSYF104Z16	IC 1981	(B,62,93) IC	S-812C33BUC-C4N
C 5632	(A,116,73)	CKSSYF104Z16	Q 1101	(B,130,124) Chip Transistor	DTC124EUA
C 5633	(A,118,94)	CKSRYB104K50	Q 1102	(B,131,127) Transistor	2SA1576A
C 5701	(A,140,58)	CKSSYB102K50	Q 1401	(A,38,33) Transistor(EW5)	2SC3357
C 5702	(A,135,58)	CKSSYB102K50	Q 1402	(B,54,39) Transistor(EW5)	2SC3127
C 5703	(A,132,58)	CKSSYB102K50	Q 1403	(B,100,92) Chip Transistor(EW5)	DTC124EUA
C 5704	(A,129,57)	CKSSYB102K50	Q 1404	(B,100,98) Chip Transistor(EW5)	DTC124EUA
C 5705	(A,127,57)	CKSSYB102K50	Q 1405	(B,86,109) Chip Transistor(EW5)	DTC124EUA
C 5705	(A,127,57)	CKSSYB102K50	Q 1406	(B,100,95) Chip Transistor(EW5)	DTC124EUA
C 5971	(A,46,8)	CKSRYB104K50	Q 1551	(B,75,81) Transistor	2SC2412K
C 5972	(A,57,8)	CKSRYB104K50	Q 1552	(B,70,81) Transistor	2SC2412K

## IJKL

### Mother Tuner Unit(Mother Unit)

#### Consists of

#### Ipod PCB

#### Mezzanine PCB

#### Mother PCB

#### Connector PCB

**Unit Number : CWN2310(UC)**

**Unit Name : Mother Tuner Unit(UC)**

**Unit Number : CWN2311(EW5)**

**Unit Name : Mother Unit(EW5)**

### MISCELLANEOUS

IC 1001	(B,98,41) IC	NJM2137V	Q 1602	(B,80,112) Chip Transistor	DTC124EUA
IC 1101	(B,72,109) IC	HA12240FP	Q 1603	(B,82,105) Chip Transistor	DTC124EUA
IC 1102	(B,139,108) IC	NJM2794RB2	Q 1751	(B,120,102) Transistor	2SA1797
IC 1301	(B,105,33) IC	NJM2794RB2	Q 1752	(B,129,101) Transistor	2SA1162
IC 1303	(B,99,33) IC	NJM2137V	Q 1753	(A,126,116) Transistor	2SA1797
IC 1305	(B,90,32) IC	NJM2505F	Q 1754	(A,130,100) Transistor	2SC4081
IC 1351	(B,84,33) IC	NJM2794RB2	Q 1755	(A,137,115) Chip Transistor	DTC114EUA
IC 1352	(B,78,35) IC	NJM2137V	Q 1801	(B,149,64) Transistor(EW5)	2SC3130
IC 1401	(A,54,82) IC	NJM2391DL1-33	Q 1802	(B,130,63) Transistor(EW5)	DTC144EK
IC 1402	(B,57,103) IC	NJM4558E	Q 1803	(B,134,63) Transistor(EW5)	DTC144EK
IC 1501	(A,79,51) IC	CXA2069Q	Q 1821	(B,159,118) Chip Transistor	DTC114EUA
IC 1551	(B,62,38) IC	NJM2561F1	Q 1822	(A,138,131) Transistor	DTC114WK
IC 1552	(B,64,71) IC	NJM2561F1	Q 1871	(B,166,105) Chip Transistor	DTC114EUA
IC 1601	(B,94,84) IC	TC7SH04FUS1	Q 1872	(B,171,102) Transistor	2SA1037K
IC 1602	(A,93,115) IC	TC7SH08FUS1	Q 1881	(B,171,125) Chip Transistor	DTC114EUA
IC 1606	(A,90,99) IC(UC)	PEG355A	Q 1901	(A,82,80) Transistor	2SA1036K
IC 1606	(A,90,99) IC(EW5)	PEG354A	Q 1903	(B,86,78) Transistor	DTC114EK
IC 1608	(A,71,97) IC	TC7SH04FUS1	Q 1905	(B,162,39) Transistor	2SB1260
IC 1609	(B,79,108) IC	TC7SH08FUS1	Q 1906	(B,160,29) Transistor	DTC114EK
IC 1610	(B,81,101) L-MOS And Gate	TC7SET08FUS1	Q 1907	(A,173,61) Transistor	2SB1185
IC 1619	(B,102,86) IC	TC74VHC08FTS1	Q 1908	(A,172,42) Transistor	2SD2375
IC 1675	(A,85,120) IC	341S2094	Q 1909	(A,172,72) Transistor	2SD2375
IC 1676	(B,93,118) L-MOS And Gate	TC7SET08FUS1	Q 1910	(B,168,58) Transistor	UMX1N
IC 1677	(A,70,106) IC	TC7WBD125AFK	Q 1951	(B,115,85) Transistor	2SD2098
IC 1751	(B,22,123) IC	NJM2794RB2	Q 1952	(B,152,42) Transistor	2SD2098
IC 1752	(B,31,121) IC	NJM2505F	Q 1953	(A,71,102) Chip Transistor	DTC114EUA
IC 1821	(A,141,126) IC	NJM2904M	Q 2821	(B,45,24) Transistor	UMD2N
			Q 2831	(B,45,19) Transistor	FMG12
			Q 2832	(B,45,12) Transistor	FMG12
			Q 2833	(B,45,6) Transistor	FMG12
			Q 2834	(B,49,19) Chip Transistor	DTA114EUA
			Q 2886	(B,25,12) Transistor	2SC4081
			D 1001	(B,132,15) Diode	UDZS6R8(B)
			D 1002	(B,133,10) Diode	UDZS6R8(B)
			D 1003	(B,137,10) Diode	UDZS6R8(B)
			D 1004	(A,134,23) Diode	UDZS6R8(B)

**Circuit Symbol and No.****Part No.****Circuit Symbol and No.****Part No.**

D 1005	(A,133,27)	Diode	UDZS6R8(B)	D 1903	(B,167,70)	Diode	UDZS5R6(B)
D 1006	(B,137,15)	Diode	UDZS6R8(B)	D 1950	(B,107,91)	Diode	UDZS13(B)
D 1007	(A,132,23)	Diode	UDZS6R8(B)	D 1951	(B,153,46)	Diode	UDZS5R6(B)
A D 1008	(B,128,10)	Diode	UDZS6R8(B)	D 1983	(A,162,127)	Diode	UDZS27(B)
D 1009	(B,127,15)	Diode	UDZS6R8(B)	D 1984	(A,162,131)	Diode	UDZS27(B)
D 1010	(A,131,27)	Diode	UDZS6R8(B)	D 1986	(B,167,63)	Diode	HZU7R5(B3)
D 1011	(A,128,23)	Diode	UDZS6R8(B)	D 2811	(B,32,20)	Diode	EDZ10(B)
D 1012	(A,130,23)	Diode	MALS068X	D 2812	(B,29,21)	Diode	EDZ10(B)
D 1013	(A,135,27)	Diode	UDZS6R8(B)	D 2813	(B,23,18)	Diode	UDZS6R8(B)
D 1014	(A,129,27)	Diode	MALS068X	D 2814	(B,22,18)	Diode	UDZS6R8(B)
D 1015	(A,122,27)	Diode	MALS068X	D 2821	(B,50,26)	Diode	MA111
D 1016	(A,126,23)	Diode	UDZS6R8(B)	D 2822	(B,52,20)	Diode	DAN202U
D 1017	(A,125,27)	Diode	UDZS6R8(B)	D 2851	(B,23,35)	Diode	1SS355
D 1018	(A,124,27)	Diode	UDZS6R8(B)	D 2852	(B,19,35)	Diode	1SS355
B D 1019	(A,119,29)	Diode	MALS068X	D 2886	(A,28,10)	Diode	S1G-6904G2P
D 1020	(A,118,29)	Diode	MALS068X	D 2887	(A,28,13)	Diode	S1G-6904G2P
D 1021	(A,116,29)	Diode	MALS068X	ZNR1401	(A,18,34)	Surge Protector	RCCA-201Q31UA-PI
D 1022	(A,113,29)	Diode	MALS068X	L 1001	(B,132,12)	Inductor	CTF1334
D 1023	(A,127,27)	Diode	UDZS6R8(B)	L 1002	(B,132,7)	Inductor	CTF1334
D 1101	(B,109,116)	Diode	DAN202U	L 1003	(B,137,7)	Inductor	CTF1334
D 1102	(B,114,116)	Diode	MALS068X	L 1004	(B,137,12)	Inductor	CTF1334
D 1103	(B,112,116)	Diode	DAP202U	L 1005	(B,128,7)	Inductor	CTF1306
D 1104	(B,119,116)	Diode	MALS068X	L 1006	(B,135,31)	Inductor	CTF1306
D 1301	(B,104,20)	Diode	MALS068X	L 1007	(B,136,31)	Inductor	CTF1306
C D 1302	(B,89,20)	Diode	MALS068X	L 1008	(B,138,31)	Inductor	CTF1306
D 1303	(B,77,20)	Diode	MALS068X	L 1009	(B,113,31)	Inductor	CTF1306
D 1304	(B,74,20)	Diode	MALS068X	L 1010	(B,114,31)	Inductor	CTF1306
D 1305	(B,68,24)	Diode	MALS180X	L 1011	(B,118,31)	Inductor	CTF1306
D 1308	(B,68,22)	Diode	MALS180X	L 1012	(B,120,31)	Inductor	CTF1306
D 1351	(B,49,16)	Diode	MALS068X	L 1013	(B,123,31)	Inductor	CTF1334
D 1352	(B,49,10)	Diode	MALS068X	L 1014	(B,124,31)	Inductor	CTF1334
D 1353	(B,49,13)	Diode	MALS068X	L 1015	(B,126,31)	Inductor	CTF1334
D 1354	(B,49,17)	Diode	MALS068X	L 1016	(B,121,31)	Inductor	CTF1382
D 1401	(A,52,74)	Diode	1SR154-400	L 1017	(B,127,31)	Inductor	CTF1334
D 1402	(A,52,70)	Diode	1SR154-400	L 1018	(B,130,31)	Inductor	CTF1382
D 1403	(A,52,66)	Diode	1SR154-400	L 1019	(B,132,31)	Inductor	CTF1382
D 1551	(B,68,86)	Diode	DAP202U	L 1020	(B,133,31)	Inductor	CTF1334
D 1552	(B,61,74)	Diode	MA111	L 1021	(B,127,12)	Inductor	CTF1334
D 1553	(B,61,87)	Diode	DAN202U	L 1022	(B,129,31)	Inductor	CTF1334
D 1556	(A,70,88)	Diode	UDZS8R2(B)	L 1023	(A,104,110)	Inductor	CTF1334
D 1751	(B,51,123)	Diode	MALS068X	L 1026	(B,94,44)	Chip Ferrite Bead	CTF1399
D 1752	(B,47,116)	Diode	EDZ6R8(B)	L 1101	(B,72,118)	Inductor	LCTAW2R2J2520
D 1753	(B,47,113)	Diode	EDZ6R8(B)	L 1102	(B,141,119)	Inductor	CTF1334
D 1754	(B,46,122)	Diode	EDZ6R8(B)	L 1103	(B,139,119)	Inductor	CTF1334
D 1755	(B,46,125)	Diode	EDZ6R8(B)	L 1104	(B,134,119)	Inductor	CTF1334
D 1756	(B,46,119)	Diode	EDZ6R8(B)	L 1105	(B,136,119)	Inductor	CTF1334
D 1757	(B,52,130)	Diode	MALS068X	L 1302	(B,102,32)	Chip Ferrite Bead	CTF1399
D 1758	(B,48,130)	Diode	MALS068X	L 1307	(B,103,24)	Inductor	CTF1334
D 1759	(B,51,120)	Diode	MALS068X	L 1308	(B,105,24)	Inductor	CTF1334
D 1760	(B,49,130)	Diode	MALS068X	L 1309	(B,108,24)	Inductor	CTF1334
D 1763	(B,63,114)	Diode	RB060L-40	L 1310	(B,106,24)	Inductor	CTF1334
D 1764	(A,133,119)	Diode	UDZS22(B)	L 1351	(B,81,38)	Chip Ferrite Bead	CTF1399
D 1801	(B,132,76)	Diode(EW5)	HZU3R3(B1)	L 1353	(B,78,25)	Inductor	CTF1334
D 1821	(A,159,125)	Diode	S1G-6904G2P	L 1354	(B,78,23)	Inductor	CTF1334
D 1824	(A,150,119)	Diode	1SS355	L 1355	(B,78,28)	Inductor	CTF1334
D 1871	(B,163,99)	Diode	UDZS5R6(B)	L 1356	(B,78,27)	Inductor	CTF1334
D 1882	(B,167,127)	Diode	1SS355	L 1401	(B,40,45)	Chip Coil	LCTAW4R7J2520
D 1883	(A,168,126)	Diode	UDZS6R8(B)	L 1402	(A,28,33)	Inductor(EW5)	LCTAWR12J2520
D 1884	(B,145,110)	Diode	RB500V-40	L 1403	(B,56,79)	Chip Coil	LCTAW1R0J2520
D 1902	(B,167,46)	Diode	HZU9R1(B3)	L 1404	(A,32,35)	Inductor(EW5)	LCTCR10K2125



Circuit Symbol and No.Part No.Circuit Symbol and No.Part No.

A	R 1116	(B,128,128)	RS1/16S682J	R 1421	(B,49,33) (EW5)	RS1/16S151J
	R 1117	(B,132,124)	RS1/10S222J	R 1422	(B,50,23) (EW5)	RS1/16S151J
	R 1303	(B,96,34)	RS1/16SS563J	R 1423	(B,46,26) (EW5)	RS1/16S101J
	R 1304	(B,96,32)	RS1/16SS473J	R 1424	(B,53,22) (EW5)	RS1/16S680J
	R 1305	(B,105,26)	RS1/16SS102J	R 1425	(B,107,98) (EW5)	RS1/16SS223J
	R 1306	(B,106,26)	RS1/16SS102J	R 1426	(A,49,77)	RS1/16S681J
	R 1307	(B,104,26)	RS1/16SS223J	R 1427	(B,87,112) (EW5)	RS1/16SS223J
	R 1308	(B,107,26)	RS1/16SS223J	R 1428	(B,53,53)	RS1/16S681J
	R 1317	(B,90,28)	RS1/16SS101J	R 1429	(B,54,64)	RS1/16S681J
	R 1318	(B,87,26)	RS1/16SS101J	R 1430	(B,54,66) (EW5)	RS1/16S681J
	R 1321	(B,103,26)	RS1/16SS101J	R 1431	(B,54,61)	RS1/16S681J
	R 1322	(B,108,26)	RS1/16SS101J	R 1432	(B,107,99) (EW5)	RS1/16SS223J
	R 1323	(B,99,26)	RS1/16SS512J	R 1433	(B,107,96) (EW5)	RS1/16SS223J
B	R 1324	(B,88,24)	RS1/16SS473J	R 1434	(B,40,48) (UC)	RS1/4S0R0J
	R 1325	(B,97,27)	RS1/16SS102J	R 1435	(B,54,76)	RS1/16S223J
				R 1437	(A,62,98)	RS1/10S0R0J
	R 1326	(B,101,24)	RS1/16SS101J			
	R 1327	(B,101,26)	RS1/16SS512J	R 1438	(A,63,109)	RS1/10S0R0J
	R 1328	(B,99,25)	RS1/16SS472J	R 1439	(A,63,106)	RS1/10S0R0J
	R 1330	(B,99,24)	RS1/16SS472J	R 1501	(B,84,48)	RS1/16S821J
	R 1331	(B,94,27)	RS1/16SS103J	R 1502	(B,84,46)	RS1/16S821J
				R 1505	(B,78,48)	RS1/16S473J
	R 1332	(B,94,24)	RS1/16SS103J	R 1506	(B,78,46)	RS1/16S473J
	R 1333	(B,94,25)	RS1/16SS750J			
	R 1337	(B,92,25)	RS1/16SS473J	R 1507	(B,75,48)	RS1/16S0R0J
	R 1347	(B,88,26)	RS1/16SS750J	R 1508	(B,75,46)	RS1/16S0R0J
C	R 1351	(B,75,36)	RS1/16SS563J	R 1509	(B,69,43)	RS1/16S0R0J
				R 1510	(B,72,43)	RS1/16S0R0J
	R 1352	(B,75,34)	RS1/16SS473J	R 1511	(B,68,50)	RS1/16S0R0J
	R 1353	(B,75,31)	RS1/16SS512J			
	R 1354	(B,75,32)	RS1/16SS102J	R 1512	(B,68,48)	RS1/16S0R0J
	R 1355	(B,80,31)	RS1/16SS101J	R 1513	(B,78,43)	RS1/16S562J
	R 1356	(B,80,30)	RS1/16SS512J	R 1514	(B,81,43)	RS1/16S562J
				R 1515	(B,86,43)	RS1/16S562J
	R 1357	(B,75,30)	RS1/16SS472J	R 1516	(B,89,43)	RS1/16S562J
	R 1358	(B,75,29)	RS1/16SS472J			
	R 1359	(B,80,25)	RS1/16SS102J	R 1517	(B,87,59)	RS1/16S101J
	R 1360	(B,80,26)	RS1/16SS102J	R 1518	(B,89,59)	RS1/16S101J
D	R 1361	(B,69,31)	RS1/16SS103J	R 1519	(B,90,56)	RS1/16S562J
				R 1520	(A,95,49)	RS1/16S562J
	R 1362	(B,69,30)	RS1/16SS103J	R 1521	(A,95,47)	RS1/16S562J
	R 1363	(B,80,27)	RS1/16SS223J			
	R 1364	(B,80,24)	RS1/16SS223J	R 1522	(B,90,54)	RS1/16S562J
	R 1365	(B,70,31)	RS1/16SS750J	R 1525	(A,101,50)	RS1/16SS0R0J
	R 1366	(B,80,28)	RS1/16SS101J	R 1526	(A,101,45)	RS1/16SS0R0J
				R 1551	(B,77,77)	RS1/16S182J
	R 1367	(B,80,23)	RS1/16SS101J	R 1552	(B,69,77)	RS1/16S182J
	R 1368	(B,71,27)	RS1/16S0R0J			
	R 1401	(A,25,33) (EW5)	RS1/16S105J	R 1553	(B,74,77)	RS1/16S471J
	R 1402	(B,60,107)	RS1/16S0R0J	R 1554	(B,72,77)	RS1/16S471J
	R 1403	(B,61,98)	RS1/16S0R0J	R 1555	(B,75,89)	RS1/16S821J
				R 1556	(B,75,84)	RS1/16S821J
E	R 1404	(B,54,59)	RS1/16S681J	R 1557	(B,75,85)	RS1/16S104J
	R 1405	(B,53,56)	RS1/16S681J			
	R 1406	(B,42,31) (EW5)	RS1/16S821J	R 1558	(B,75,87)	RS1/16S104J
	R 1407	(A,49,102)	RS1/16S103J	R 1559	(B,62,54)	RS1/16S102J
	R 1408	(A,49,105)	RS1/16S103J	R 1560	(B,74,70)	RS1/16S102J
				R 1561	(B,64,54)	RS1/16S103J
	R 1409	(A,50,105)	RS1/16S104J	R 1562	(B,64,86)	RS1/4S821J
	R 1410	(A,50,102)	RS1/16S104J			
	R 1411	(B,45,30) (EW5)	RS1/16S330J	R 1563	(B,59,80)	RS1/16S223J
	R 1414	(B,55,42) (EW5)	RS1/16S151J	R 1564	(B,72,66)	RS1/16S123J
	R 1415	(B,56,97)	RS1/16S0R0J	R 1565	(B,60,49)	RS1/16S123J
				R 1566	(B,60,80)	RS1/16S223J
F	R 1416	(B,55,108)	RS1/16S0R0J	R 1567	(B,58,49)	RS1/16S471J
	R 1417	(B,58,37) (EW5)	RS1/16S681J			
	R 1418	(B,57,35) (EW5)	RS1/16S152J	R 1568	(B,75,67)	RS1/16S103J
	R 1419	(B,41,27) (EW5)	RS1/16S332J	R 1569	(B,61,78)	RS1/16S101J
	R 1420	(B,53,35) (EW5)	RS1/16S680J	R 1570	(B,75,66)	RS1/16S471J

<u>Circuit Symbol and No.</u>		<u>Part No.</u>	<u>Circuit Symbol and No.</u>		<u>Part No.</u>
R 1571	(B,61,84)	RS1/16S473J	R 1661	(B,78,110)	RS1/16SS102J
R 1572	(B,64,41)	RS1/16S105J	R 1662	(B,85,105)	RS1/16SS393J
R 1573	(B,69,71)	RS1/16S105J	R 1663	(B,87,105)	RS1/16SS514J
R 1574	(A,66,89)	RS1/16S563J	R 1664	(B,79,101)	RS1/16SS473J
R 1575	(A,69,86)	RS1/16S223J	R 1665	(B,68,98)	RS1/16SS563J
R 1576	(A,74,29)	RS1/16S750J	R 1667	(A,102,103)	RS1/16SS681J
R 1577	(B,65,68)	RS1/16S0R0J	R 1668	(A,102,104)	RS1/16SS681J
R 1579	(A,69,84)	RS1/16S473J	R 1669	(A,84,88)	RS1/16SS681J
R 1580	(A,66,66)	RS1/16S750J	R 1670	(A,87,88)	RS1/16SS681J
R 1601	(B,96,82)	RS1/16S473J	R 1671	(B,84,88)	RS1/16SS473J
R 1602	(B,105,81)	RS1/16SS0R0J	R 1672	(B,88,86)	RS1/16SS473J
R 1603	(B,106,84)	RS1/16SS0R0J	R 1673	(A,86,88)	RS1/16SS681J
R 1604	(B,103,91)	RS1/16SS0R0J	R 1674	(A,85,88)	RS1/16SS681J
R 1605	(A,101,121)	RS1/16SS681J	R 1676	(B,86,117)	RS1/16SS104J
R 1607	(B,105,105)	RS1/16SS104J	R 1677	(B,87,117)	RS1/16SS104J
R 1609	(A,101,96)	RS1/16SS681J	R 1678	(B,88,118)	RS1/16SS104J
R 1611	(A,102,106)	RS1/16SS681J	R 1679	(B,86,114)	RS1/16SS103J
R 1612	(A,96,116)	RS1/16SS473J	R 1680	(B,89,116)	RS1/16SS104J
R 1613	(A,102,105)	RS1/16SS681J	R 1681	(A,91,119)	RS1/16SS103J
R 1614	(A,102,107)	RS1/16SS681J	R 1682	(A,90,121)	RS1/16SS1003D
R 1615	(B,101,90)	RS1/16SS473J	R 1683	(B,84,91)	RS1/16SS473J
R 1616	(B,101,100)	RS1/16SS473J	R 1684	(B,85,91)	RS1/16SS473J
R 1618	(A,95,111)	RS1/16SS681J	R 1687	(A,102,109)	RS1/16SS0R0J
R 1619	(A,102,94)	RAB4C681J	R 1688	(A,98,114)	RS1/16SS473J
R 1620	(A,102,99) (EW5)	RAB4C681J	R 1690	(A,78,102)	RS1/16SS101J
R 1621	(A,103,121)	RS1/16SS681J	R 1691	(A,78,101)	RS1/16SS101J
R 1622	(B,108,96)	RS1/16SS473J	R 1692	(A,78,100)	RS1/16SS101J
R 1623	(B,98,114)	RS1/16SS104J	R 1693	(A,78,99)	RS1/16SS101J
R 1624	(B,108,103)	RS1/16SS473J	R 1694	(A,78,90)	RS1/16SS681J
R 1625	(B,79,99)	RS1/16SS473J	R 1695	(A,78,91)	RS1/16SS681J
R 1626	(B,97,88)	RS1/16SS473J	R 1696	(A,78,92)	RS1/16SS681J
R 1627	(A,96,88)	RS1/16SS681J	R 1697	(A,78,93)	RS1/16SS681J
R 1628	(A,96,111)	RS1/16SS681J	R 1698	(B,91,117)	RS1/16SS104J
R 1629	(A,95,88)	RS1/16SS681J	R 1699	(B,81,119)	RS1/16SS103J
R 1631	(B,94,91)	RS1/16SS473J	R 1702	(A,99,122)	RS1/16S0R0J
R 1632	(A,93,88)	RS1/16SS681J	R 1703	(A,72,108)	RS1/16SS103J
R 1633	(B,93,111)	RS1/16SS681J	R 1704	(A,72,106)	RS1/16SS103J
R 1634	(A,91,88)	RS1/16SS681J	R 1751	(B,51,114)	RS1/16S0R0J
R 1635	(B,94,108)	RS1/16SS473J	R 1752	(B,51,112)	RS1/16S0R0J
R 1638	(A,85,111)	RS1/16SS473J	R 1753	(B,24,133)	RS1/16S0R0J
R 1639	(A,84,111) (EW5)	RS1/16SS681J	R 1754	(B,51,117)	RS1/16S0R0J
R 1640	(A,83,111) (EW5)	RS1/16SS0R0J	R 1755	(B,30,133)	RS1/16S0R0J
R 1641	(A,83,88)	RS1/16SS470J	R 1756	(B,20,133)	RS1/16S0R0J
R 1642	(A,82,88)	RS1/16SS470J	R 1757	(B,51,118)	RS1/16S0R0J
R 1643	(B,83,88)	RS1/16SS103J	R 1758	(B,51,115)	RS1/16S0R0J
R 1644	(B,82,88)	RS1/16SS103J	R 1759	(B,33,133)	RS1/16S0R0J
R 1645	(A,78,96)	RAB4C681J	R 1760	(B,23,133)	RS1/16S0R0J
R 1647	(B,82,111)	RS1/16SS473J	R 1761	(B,21,133)	RS1/16S0R0J
R 1648	(B,78,113)	RS1/16SS102J	R 1762	(B,25,131)	RS1/16SS101J
R 1649	(A,72,95)	RS1/16SS473J	R 1763	(B,31,127)	RS1/16SS750J
R 1650	(A,78,108)	RS1/16SS472J	R 1764	(B,32,128)	RS1/16SS473J
R 1651	(A,78,106)	RS1/16SS681J	R 1765	(B,20,131)	RS1/16SS101J
R 1652	(A,78,107)	RS1/16SS681J	R 1766	(B,24,131)	RS1/16SS223J
R 1653	(B,96,88)	RS1/16SS473J	R 1767	(B,21,131)	RS1/16SS223J
R 1655	(B,77,110)	RS1/16SS473J	R 1768	(B,23,131)	RS1/16SS102J
R 1656	(A,78,94)	RS1/16SS681J	R 1769	(B,22,131)	RS1/16SS102J
R 1657	(A,76,106)	RS1/16SS473J	R 1770	(B,30,128)	RS1/16SS473J
R 1658	(A,76,108)	RS1/16SS472J	R 1771	(B,29,124)	RS1/16SS101J
R 1659	(A,76,107)	RS1/16SS473J	R 1772	(B,34,124)	RS1/16SS101J
R 1660	(B,72,95)	RS1/16SS473J	R 1774	(B,96,101)	RS1/16S473J

**Circuit Symbol and No.****Part No.****Circuit Symbol and No.****Part No.**

R 1775 (B,124,102)  
R 1776 (B,125,104)

RS1/16S103J  
RS1/4SA271J

R 1911 (A,175,70)  
R 1913 (B,162,48)

RS1/16S122J  
RS1/10S0R0J

A R 1777 (B,131,104)  
R 1778 (B,124,100)  
R 1779 (A,115,110)  
R 1780 (B,131,100)  
R 1781 (A,126,106)

RS1/4SA271J  
RS1/16S102J  
RS2PMFR47J  
RS1/16S103J  
RS1/8S0R0J

R 1914 (B,162,46)  
R 1915 (B,168,62)  
R 1916 (A,175,60)  
R 1918 (B,164,56)  
R 1919 (B,169,58)

RS1/10S0R0J  
RS1/16SS471J  
RS1/16S223J  
RS1/16SS223J  
RS1/16SS471J

R 1782 (A,131,114)  
R 1783 (A,131,109)  
R 1784 (A,137,113)  
R 1785 (A,130,118)  
R 1786 (A,140,115)

RS1/4SA271J  
RS1/4SA271J  
RS1/16S103J  
RS1/16S103J  
RS1/16S103J

R 1950 (B,111,86)  
R 1954 (B,150,46)  
R 2821 (B,45,26)  
R 2831 (B,45,22)  
R 2832 (B,45,17)

RS1/4S471J  
RS1/16S122J  
RS1/16S102J  
RS1/16S821J  
RS1/16S821J

B R 1787 (A,140,118)  
R 1788 (A,136,117)  
R 1790 (B,17,114)  
R 1791 (A,56,114)  
R 1793 (B,63,122)

RS1/16S103J  
RS1/16S124J  
RS1/16S0R0J  
RS1/16S0R0J  
RS1/10S0R0J

R 2833 (B,41,21)  
R 2834 (B,41,17)  
R 2837 (B,45,15)  
R 2838 (B,45,10)  
R 2839 (B,41,14)

RS1/16S223J  
RS1/16S223J  
RS1/16S821J  
RS1/16S821J  
RS1/16S223J

R 1801 (B,148,61) (EW5)  
R 1802 (B,145,61) (EW5)  
R 1803 (B,147,61) (EW5)  
R 1806 (B,124,65) (EW5)  
R 1807 (A,141,75) (EW5)

RS1/16S152J  
RS1/16S151J  
RS1/16S681J  
RS1/16S0R0J  
RS1/10S391J

R 2840 (B,41,10)  
R 2843 (B,45,8)  
R 2844 (B,45,3)  
R 2845 (B,41,8)  
R 2846 (B,41,4)

RS1/16S223J  
RS1/16S821J  
RS1/16S821J  
RS1/16S223J  
RS1/16S223J

C R 1808 (B,132,60) (EW5)  
R 1810 (B,119,65) (EW5)  
R 1821 (A,147,130)  
R 1822 (B,160,123)  
R 1823 (B,160,121)

RS1/16S473J  
RS1/16S472J  
RS1/16S0R0J  
RS1/16S333J  
RS1/16S203J

R 2851 (B,22,33)  
R 2873 (B,23,14)  
R 2886 (B,28,9)  
R 2887 (B,26,9)  
R 2888 (B,31,12)

RS1/10S103J  
RS1/16S0R0J  
RS1/16S473J  
RS1/16S104J  
RS1/10S102J

R 1824 (A,151,123)  
R 1825 (B,150,119)  
R 1826 (A,147,121)  
R 1827 (A,147,125)  
R 1828 (A,146,119)

RS1/16S822J  
RS1/16S202J  
RS1/16S564J  
RS1/16S513J  
RS1/16S513J

R 2892 (B,18,33)

RS1/16S0R0J

**CAPACITORS**

R 1829 (A,151,125)  
R 1830 (B,147,125)  
R 1831 (A,146,127)  
D R 1832 (A,134,126)  
R 1833 (A,133,126)

RS1/16S102J  
RS1/16S102J  
RS1/16S104J  
RS1/16S513J  
RS1/16S473J

C 1001 (B,132,13)  
C 1002 (B,132,8)  
C 1003 (B,137,8)  
C 1004 (B,137,13)  
C 1005 (B,126,22)

CCSRCH101J50  
CCSRCH101J50  
CCSRCH101J50  
CCSRCH101J50  
CCSRCH101J50

R 1834 (A,136,123)  
R 1835 (A,136,126)  
R 1841 (B,163,108)  
R 1843 (A,143,110)  
R 1844 (B,163,106)

RS1/16S563J  
RS1/16S104J  
RS1/16S104J  
RS1/16S101J  
RS1/16S0R0J

C 1006 (B,134,22)  
C 1007 (B,124,27)  
C 1008 (B,133,27)  
C 1009 (B,123,27)  
C 1010 (B,132,22)

CKSRYF104Z25  
CCSRCH101J50  
CKSRYF104Z25  
CCSRCH101J50  
CKSRYF104Z25

R 1871 (B,171,106)  
R 1872 (B,168,105)  
R 1873 (B,168,101)  
E R 1874 (B,165,101)  
R 1875 (B,163,97)

RS1/10S103J  
RS1/10S103J  
RN1/16SE1001D  
RN1/16SE1101D  
RN1/16SE1001D

C 1012 (B,128,8)  
C 1014 (B,127,13)  
C 1016 (B,131,27)  
C 1018 (B,130,22)  
C 1020 (B,129,27)

CCSRCH101J50  
CCSRCH101J50  
CCSRCH101J50  
CCSRCH101J50  
CCSRCH101J50

R 1881 (A,164,127)  
R 1884 (A,164,114)  
R 1886 (A,163,112)  
R 1892 (B,170,95)  
R 1894 (B,170,97)

RS1/4S102J  
RS1/16S0R0J  
RS1/16S0R0J  
RS1/16S104J  
RS1/16S202J

C 1022 (B,108,41) 10 µF  
C 1023 (B,108,39) 10 µF  
C 1026 (B,103,41)  
C 1027 (B,135,27)  
C 1031 (B,94,38)

CCG1203  
CCG1203  
CCSRCJ3R0C50  
CKSRYF104Z25  
CKSRYB105K10

R 1895 (B,168,98)  
R 1901 (B,81,77)  
R 1903 (B,83,77)  
R 1905 (B,165,35)  
F R 1906 (B,163,33)

RS1/16S0R0J  
RS1/16S102J  
RS1/16S272J  
RS1/16S153J  
RS1/4S102J

C 1032 (A,100,41)  
C 1033 (B,98,44)  
C 1041 (B,108,45)  
C 1042 (B,108,46)  
C 1043 (B,108,48)

CEVW100M16  
CKSRYB104K50  
CKSRYB105K10  
CKSRYB105K10  
CKSRYB105K10

R 1907 (A,175,41)  
R 1909 (A,175,45)  
R 1910 (B,166,61)

RS1/10S181J  
RS1/10S181J  
RS1/16SS221J

C 1044 (B,108,49)  
C 1045 (A,109,46)  
C 1046 (A,104,45)  
C 1101 (B,73,115)

CKSRYB105K10  
CEVW220M16  
CEVW100M16  
CKSRYB104K50

5		6		7		8	
<u>Circuit Symbol and No.</u>		<u>Part No.</u>		<u>Circuit Symbol and No.</u>		<u>Part No.</u>	
C 1102	(A,138,108)	CEVW100M16		C 1424	(A,56,86)	CKSRYP103K50	
C 1103	(A,137,101)	CEVW220M16		C 1426	(B,88,113) (EW5)	CKSRYP103K50	
C 1106	(B,141,114)	CKSRYP105K10		C 1429	(B,61,103)	CKSRYP103K50	A
C 1107	(B,139,114)	CKSRYP105K10		C 1430	(A,56,77)	CKSRYP104K50	
C 1108	(B,136,114)	CKSRYP105K10		C 1431	(A,59,103)	CEVW100M16	
C 1109	(B,134,114)	CKSRYP105K10		C 1432	(A,34,23) (EW5)	CKSRYP103K50	
C 1112	(B,117,116)	CCSRCH471J50		C 1433	(B,49,29) (EW5)	CKSRYP222K50	
C 1113	(B,116,116)	CCSRCH471J50		C 1434	(A,44,24) (EW5)	CKSRYP222K50	
C 1117	(B,107,116)	CKSRYP104K50		C 1435	(B,48,22) (EW5)	CKSRYP222K50	
C 1118	(B,106,116)	CKSRYP104K50		C 1436	(B,106,101) (EW5)	CKSRYP103K50	
C 1302	(B,93,32)	CKSRYP104K50		C 1437	(B,59,40) (EW5)	CKSRYP103K50	
C 1305	(A,108,25)	CEVW100M16		C 1438	(B,52,40) (EW5)	CKSRYP222K50	
C 1306	(A,108,31)	CEVW220M16		C 1442	(A,53,60)	CEVW331M10	
C 1307	(B,102,34)	CKSRYP104K50		C 1501	(B,87,48)	CKSRYP222K50	B
C 1308	(A,101,25)	CEVW100M16		C 1502	(B,87,46)	CKSRYP222K50	
C 1309	(B,95,33)	CKSRYP105K10		C 1505	(B,81,49)	CKSQYB225K10	
C 1310	(B,103,28)	CKSRYP105K10		C 1506	(B,81,46)	CKSQYB225K10	
C 1314	(B,88,28) 10 μF	CCG1203		C 1507	(B,74,43)	CKSQYB105K16	
C 1319	(B,104,28)	CKSRYP105K10		C 1508	(B,71,43)	CKSQYB105K16	
C 1320	(B,92,28) 10 μF	CCG1203		C 1509	(B,67,52)	CKSQYB105K16	
C 1321	(B,106,28)	CKSRYP105K10		C 1510	(B,69,52)	CKSQYB105K16	
C 1322	(B,108,28)	CKSRYP105K10		C 1511	(B,68,37)	CKSQYB105K16	
C 1329	(B,100,28)	CCSRCJ3R0C50		C 1512	(B,68,43)	CKSQYB105K16	
C 1331	(B,96,26) 10 μF	CCG1203		C 1513	(A,72,64)	CEVW100M16	
C 1332	(B,96,24) 10 μF	CCG1203		C 1514	(B,76,43)	CKSQYB105K16	C
C 1334	(B,101,20)	CCSRCH471J50		C 1515	(B,79,43)	CKSQYB105K16	
C 1337	(B,93,20)	CCSRCH471J50		C 1516	(B,83,61)	CKSRYP103K50	
C 1351	(B,80,35)	CKSRYP104K50		C 1517	(A,91,66)	CEVW220M16	
C 1352	(A,80,30)	CEVW100M16		C 1518	(B,83,43)	CKSRYP105K16	
C 1353	(B,74,35)	CKSRYP105K10		C 1519	(B,85,43)	CKSQYB105K16	
C 1354	(A,95,25)	CEVW100M16		C 1520	(B,88,43)	CKSQYB105K16	
C 1355	(A,95,31)	CEVW220M16		C 1521	(B,91,43)	CKSQYB105K16	
C 1357	(B,78,30)	CCSRCJ3R0C50		C 1522	(A,98,45)	CKSQYB105K16	
C 1359	(B,83,25)	CKSRYP105K10		C 1523	(B,87,56)	CKSQYB105K16	
C 1360	(B,83,28)	CKSRYP105K10		C 1524	(A,98,49)	CKSQYB105K16	
C 1361	(B,83,27)	CKSRYP105K10		C 1525	(A,98,47)	CKSQYB105K16	D
C 1362	(B,83,23)	CKSRYP105K10		C 1526	(B,87,54)	CKSQYB105K16	
C 1363	(B,72,30) 10 μF	CCG1203		C 1551	(B,76,77)	CKSRYP222K50	
C 1364	(B,72,32) 10 μF	CCG1203		C 1552	(B,71,77)	CKSRYP222K50	
C 1401	(B,60,109)	CKSQYB225K10		C 1553	(B,67,77)	CKSRYP103K50	
C 1402	(B,61,97)	CKSQYB225K10		C 1554	(A,76,80)	CEVW100M16	
C 1403	(A,26,35) (EW5)	CCSRCH270J50		C 1555	(A,70,80)	CEVW100M16	
C 1404	(B,55,86)	CKSYB475K16		C 1556	(B,63,54)	CCSRCH7R0D50	
C 1405	(B,53,79)	CKSRYP103K50		C 1557	(B,75,70)	CKSRYP104K50	
C 1406	(A,28,35) (EW5)	CCSRCH220J50		C 1558	(B,72,67)	CCSRCJ3R0C50	
C 1407	(B,53,87)	CKSRYP103K50		C 1559	(B,62,50)	CKSRYP104K50	
C 1408	(B,42,51)	CKSRYP103K50		C 1560	(A,61,54)	CEVW101M16	
C 1409	(A,31,33) (EW5)	CCSRCH270J50		C 1561	(A,76,71)	CEVW101M16	
C 1410	(A,51,95)	CEVW470M6R3		C 1562	(A,64,80)	CEVW220M16	
C 1411	(A,53,49)	CEVW331M10		C 1563	(B,62,43)	CKSYB475K16	
C 1412	(A,33,33) (EW5)	CCSRCH330J50		C 1564	(B,69,74)	CKSYB475K16	
C 1413	(A,35,35) (EW5)	CCSRCH470J50		C 1565	(B,64,38)	CKSRYP103K50	
C 1414	(B,42,29) (EW5)	CKSRYP103K50		C 1566	(A,64,38)	CEVW470M16	
C 1415	(A,57,65)	CKSRYP103K50		C 1567	(B,69,68)	CKSRYP103K50	
C 1418	(A,54,103)	CEVW100M16		C 1568	(A,69,25)	CEVW330M10	
C 1419	(B,59,39) (EW5)	CKSRYP103K50		C 1569	(A,69,31)	CEVW101M4	
C 1420	(B,55,49) (EW5)	CCSRCH270J50		C 1570	(A,68,70)	CEVW470M16	F
C 1421	(A,50,32) (EW5)	CKSRYP103K50		C 1571	(A,62,70)	CEVW330M10	
C 1422	(B,54,45) (EW5)	CCSRCH150J50		C 1572	(A,62,63)	CEVW101M4	
C 1423	(A,51,89)	CEVW220M16		C 1604	(B,96,84)	CKSRYP104K50	

**Circuit Symbol and No.****Part No.****Circuit Symbol and No.****Part No.**

	C 1605	(A,102,82)	CEVW100M16	C 1878	(B,142,92)	CKSRYP104Z25
A	C 1606	(A,92,118)	CKSRYP103K50	C 1879	(B,142,88)	CKSRYP474K10
	C 1608	(A,99,84)	CKSRYP103K50	C 1880	(A,148,86)	CKSRYP104K50
	C 1610	(A,95,84)	CKSRYP103K50	C 1881	(A,164,131)	CKSRYP104K50
	C 1611	(A,95,119)	CKSRYP222K50	C 1882	(A,144,97)	CEVW470M16
	C 1612	(B,99,86)	CKSRYP104K50	C 1890	(A,172,93)	CKSRYP104K50
	C 1614	(A,95,114)	CKSRYP104K50	C 1892	(B,168,96)	CKSRYP104K50
	C 1616	(B,98,105)	CKSRYP102K50	C 1893	(B,174,103)	CKSRYP103K50
	C 1617	(A,102,102)	CKSRYP104K50	C 1901	(A,143,47)	CEVW101M16
	C 1618	(A,97,118)	CKSRYP104K50	C 1902	(A,122,46)	CEVW101M16
	C 1619	(A,93,111)	CKSRYP103K50	C 1903	(A,82,83)	CKSRYP104K50
	C 1620	(B,89,113)	CKSRYP102K50	C 1905	(A,121,42)	CKSRYP103K50
B	C 1621	(A,89,88)	CKSRYP102K50	C 1906	(A,142,42)	CKSRYP103K50
	C 1622	(A,70,95)	CKSRYP104K50	C 1907	(B,165,40)	CKSRYP103K50
	C 1623	(B,81,107)	CKSRYP104K50	C 1908	(A,166,40)	CEVW101M16
	C 1624	(B,83,101)	CKSRYP104K50	C 1910	(A,171,51)	CEVW101M16
	C 1625	(A,89,87)	CKSRYP104K50	C 1911	(B,166,59)	CKSRYP104K50
	C 1626	(A,88,113)	CKSRYP104K50	C 1912	(B,169,46)	CKSRYP103K50
	C 1675	(A,79,120)	CKSRYP104K50	C 1913	(B,167,65)	CKSRYP103K50
	C 1676	(B,82,118)	CCSRCJ3R0C50	C 1914	(B,169,40)	CKSRYP103K50
	C 1677	(B,84,117)	CCSRCJ3R0C50	C 1915	(A,167,62)	CEVW101M16
	C 1678	(B,95,116)	CKSRYP104K50	C 1916	(A,163,48)	CEVW101M16
	C 1679	(A,70,110)	CKSRYP104K50	C 1917	(A,132,46)	CEVW101M16
C	C 1694	(B,81,91)	CCSRCH101J50	C 1918	(A,131,42)	CKSRYP103K50
	C 1760	(B,30,125) 10 $\mu$ F	CCG1203	C 1920	(B,167,68)	CKSRYP103K50
	C 1761	(B,33,125) 10 $\mu$ F	CCG1203	C 1921	(B,167,66)	CKSRYP103K50
		C 1762	(B,24,128)	CKSRYP105K10	C 1922	(A,174,87)
	C 1763	(B,23,128)	CKSRYP105K10	C 1923	(A,166,73)	CEVW470M16
	C 1764	(B,21,128)	CKSRYP105K10	C 1924	(A,170,89)	CKSRYP103K50
	C 1765	(B,20,128)	CKSRYP105K10	C 1925	(A,162,94)	CEVW220M16
	C 1766	(B,29,121)	CKSRYP104K50	C 1950	(A,128,85)	CEVW101M16
	C 1767	(A,22,124)	CEVW220M16	C 1951	(B,109,91)	CKSRYP103K50
	C 1768	(A,22,131)	CEVW100M16	C 1952	(A,118,92)	CKSRYP103K50
	C 1769	(A,63,117) 10 $\mu$ F	CCG1223	C 1953	(A,126,95)	CEVW101M16
D	C 1770	(B,61,118)	CKSRYP102K50	C 1954	(A,152,47)	CEVW101M16
	C 1772	(A,130,103) 10 $\mu$ F	CCG1223	C 1955	(B,153,48)	CKSRYP103K50
	C 1801	(B,150,61) (EW5)	CKSRYP222K50	C 1956	(B,156,42)	CKSRYP103K50
	C 1802	(B,144,59) (EW5)	CKSRYP103K50	C 1957	(A,152,40)	CEVW101M16
	C 1803	(B,144,65) (EW5)	CCSRCH220J50	C 1981	(B,60,90)	CKSRYP104K50
	C 1805	(A,137,77) (EW5)	CEVW100M16	C 1982	(B,66,97)	CKSRYP103K50
	C 1806	(A,134,76) (EW5)	CKSRYP473K50	C 1983	(A,65,92)	CEVW100M16
	C 1807	(A,146,78) (EW5)	CEVW220M16	C 2813	(B,25,17)	CKSRYP104Z25
	C 1808	(B,124,77) (EW5)	CKSRYP103K50	C 2814	(B,20,18)	CKSRYP104Z25
	C 1809	(B,130,66) (EW5)	CKSRYP103K50	C 2822	(A,54,22)	CEVW470M16
	C 1810	(B,134,66) (EW5)	CKSRYP473K50	C 2831	(A,46,19)	CEVW100M25
E	C 1811	(B,114,66) (EW5)	CKSRYP103K50	C 2832	(A,38,19)	CEVW100M25
		C 1812	(B,119,63) (EW5)	C 2835	(B,35,20)	CKSRYP102K50
	C 1813	(A,132,76) 10 $\mu$ F(EW5)	CCG1220	C 2836	(B,35,18)	CKSRYP102K50
	C 1821	(B,158,120)	CKSRYP823K16	C 2837	(A,46,12)	CEVW100M25
	C 1822	(A,142,130)	CKSRYP104K50	C 2838	(A,38,12)	CEVW100M25
	C 1823	(B,156,120)	CKSRYP103K50	C 2841	(B,35,13)	CKSRYP102K50
	C 1824	(A,147,123)	CKSRYP104K50	C 2842	(B,35,12)	CKSRYP102K50
	C 1825	(A,148,127)	CKSRYP102K50	C 2843	(A,46,6)	CEVW100M25
	C 1868	(B,171,118)	CKSRYP104K50	C 2844	(A,38,6)	CEVW100M25
	C 1869	(A,166,114)	CKSRYP334K10	C 2847	(B,35,6)	CKSRYP102K50
	C 1872	(A,144,86)	CKSRYP104K50	C 2848	(B,35,5)	CKSRYP102K50
F	C 1873	(A,144,85)	CKSRYP334K10	C 2851	(B,20,33)	CKSRYP103Z50
	C 1874	(A,148,114)	CKSRYP103Z50	C 2886	(B,27,12)	CKSRYP104Z25
	C 1876	(A,153,88)	CEVW470M16	C 2887	(B,26,21)	CKSRYP104Z25
	C 1877	(B,141,88)	CKSRYP104K50			

Circuit Symbol and No.Part No.**M****Unit Number : CXX2316****Unit Name : Main PCB Unit(SERVICE)****MISCELLANEOUS**

IC 101	Regulator	BA00CC0WFP
IC 102	IC	BA6247FP
IC 103	Photo-interrupter	GP2L24B
IC 104	IC	TC7W14FU
IC 105	Photo-interrupter	GP2L24B
Q 101	Chip Transistor	DTC124EUA
D 101	Diode	UDZS5R6(B)

**RESISTORS**

R 101	RS1/16S102J
R 102	RS1/16S3302D
R 103	RS1/16S3900D
R 104	RS1/16S4701D
R 105	RS1/16S471J
R 106	RS1/16S102J
R 107	RS1/16S102J
R 108	RS1/16S102J
R 109	RS1/16S102J
R 110	RS1/16S102J
R 111	RS1/16S562J
R 112	RS1/16S102J
R 113	RS1/16S102J
R 114	RS1/16S102J
R 115	RS1/16S562J
R 116	RS1/16S102J
R 117	RS1/16S472J

**CAPACITORS**

C 101	CKSYB475K16
C 102	CKSYB475K16
C 103	CKSRYB104K16
C 104	CKSRYB104K16
C 105	CKSRYB223K16
C 106	CKSRYB104K16
C 107	CKSRYB223K16
C 108	CEVW101M16
C 109	CKSRYB104K16
C 110	CCSRCH102J50
C 111	CCSRCH102J50

**N****Unit Number : CZW5029****Unit Name : Switch PCB Unit**

S 101	Switch(Angle SW)	CSN1068
-------	------------------	---------

**O****Unit Number : CZW5028****Unit Name : Volume PCB Unit**

VR101	Volume(Angle sense)	CCW1025
-------	---------------------	---------

Circuit Symbol and No.Part No.**D****Unit Number : CWX3401****Unit Name : DVD Core Unit****MISCELLANEOUS**

IC 1001	(B,79,55) IC	BD9851EFV
IC 1003	(B,72,42) IC	S-80859CNNB-B9K
IC 1004	(B,75,48) Regulator IC	NJM2880U1-05
IC 1005	(B,61,58) IC	S-L2980A50MC-C7J
IC 1201	(A,26,15) IC	BD7996EFV
IC 1301	(B,90,27) IC	TC7SZ125FU
IC 1351	(B,86,27) IC	TC7SZ08FU
IC 1352	(B,79,14) IC	TC74LCX16373FT
IC 1401	(B,61,32) Flash ROM Unit	CWW1430
IC 1402	(B,37,10) Flash ROM Unit	CWW1431
IC 1403	(B,47,29) IC	TC7SZ32FU
IC 1481	(B,60,12) IC	EDS1232AATA-75
IC 1501	(A,60,19) IC	MN2DS0016AAUB
IC 1801	(A,70,53) D/A Converter	PCM1753DBQ
Q 1001	(B,77,67) FET	RSQ030P03
Q 1003	(B,85,67) FET	QS5U27
Q 1101	(B,62,50) Transistor	2SC4081
Q 1102	(B,68,50) Transistor	2SC4081
Q 1103	(B,60,45) Transistor	2SB1260
Q 1104	(B,67,45) Transistor	2SB1260
D 1001	(B,80,64) Chip Diode	RB050L-40
D 1002	(A,89,67) Diode	1SR154-400
D 1301	(B,13,10) Chip LED	CL2051RXTU
L 1001	(B,73,62) Inductor	CTF1678
L 1002	(B,83,72) Inductor	CTF1677
L 1003	(B,86,62) Inductor	CTF1681
L 1004	(B,63,60) Inductor	CTF1558
L 1005	(B,81,49) Inductor	CTF1558
L 1101	(B,66,54) Inductor	CTF1305
L 1482	(B,77,29) Inductor	CTF1473
L 1502	(A,71,47) Inductor	CTF1378
L 1503	(A,60,47) Inductor	CTF1487
L 1504	(A,35,10) Inductor	CTF1387
L 1511	(A,63,3) Inductor	CTF1680
L 1601	(A,41,23) Inductor	CTF1473
L 1602	(A,55,42) Inductor	CTF1473
L 1603	(A,54,42) Inductor	CTF1473
L 1604	(A,52,42) Inductor	CTF1473
L 1605	(A,38,32) Inductor	CTF1395
L 1671	(A,41,19) Inductor	CTF1473
L 1672	(A,41,20) Inductor	CTF1473
L 1673	(A,41,21) Inductor	CTF1473
L 1801	(A,70,61) Inductor	CTF1473
L 1901	(A,91,73) Inductor	CTF1487
L 1902	(A,91,62) Inductor	CTF1558
X 1501	(A,40,16) Cystal 27.000 MHz	CSS1714
VR1671	(A,35,20) Semi-fixed 10 kohm(B)	CCP1448
EF1501	(A,68,47) Chip EMI Filter	DTL1106
EF1502	(A,61,45) Chip EMI Filter	DTL1106
EF1901	(A,87,74) Chip EMI Filter	DTF1106
EF1903	(A,91,65) Chip EMI Filter	DTL1106

**RESISTORS**

**Circuit Symbol and No.****Part No.****Circuit Symbol and No.****Part No.**

R 1001	(B,70,55)	RS1/16SS101J	R 1301	(B,14,14)	RS1/16SS391J
R 1002	(B,72,51)	RS1/16SS103J	R 1302	(B,16,14)	RS1/16SS471J
R 1003	(B,72,55)	RS1/16SS122J	R 1304	(B,87,23)	RS1/16SS563J
R 1005	(B,72,52)	RS1/16SS153J	R 1305	(B,86,23)	RS1/16SS243J
R 1006	(B,73,54)	RS1/16SS471J	R 1306	(B,85,23)	RS1/16SS683J
R 1007	(B,73,55)	RS1/16SS8201D	R 1307	(B,88,23)	RS1/16SS243J
R 1008	(B,70,56)	RS1/16SS4702D	R 1314	(B,86,21)	RAB4CQ822J
R 1009	(B,72,56)	RS1/16SS561J	R 1351	(B,84,25)	RS1/16SS331J
R 1010	(B,74,51)	RS1/16SS472J	R 1401	(B,72,33)	RS1/16SS221J
R 1011	(B,72,40)	RS1/16SS104J	R 1402	(B,50,27)	RS1/16SS104J
R 1013	(B,87,54)	RS1/16SS682J	R 1405	(B,48,10)	RS1/16SS221J
R 1017	(B,88,54)	RS1/16SS1002D	R 1406	(B,26,4)	RS1/16SS104J
R 1018	(B,88,53)	RS1/16SS472J	R 1407	(B,26,6)	RS1/16SS104J
R 1019	(B,87,53)	RS1/16SS2202D	R 1410	(B,47,32)	RS1/16SS104J
R 1020	(B,87,52)	RS1/16SS102J	R 1501	(B,71,3)	RAB4CQ560J
R 1021	(B,87,51)	RS1/16SS101J	R 1503	(A,72,3)	RS1/16SS560J
R 1026	(B,78,61)	RS1/16SS100J	R 1505	(B,68,3)	RAB4CQ560J
R 1027	(B,77,61)	RS1/16SS100J	R 1507	(B,65,3)	RAB4CQ560J
R 1101	(B,63,53)	RS1/16SS391J	R 1512	(B,59,3)	RAB4CQ560J
R 1102	(B,63,47)	RS1/16SS511J	R 1513	(A,44,4)	RS1/16SS102J
R 1103	(B,67,53)	RS1/16SS391J	R 1515	(A,43,3)	RS1/16SS102J
R 1104	(B,69,47)	RS1/16SS561J	R 1520	(A,35,8)	RS1/16SS221J
R 1107	(B,61,53)	RS1/16SS6R8J	R 1521	(A,41,12)	RAB4CQ101J
R 1108	(B,65,53)	RS1/16SS6R8J	R 1522	(B,56,3)	RAB4CQ560J
R 1109	(B,58,41)	RS1/10S1R5J	R 1523	(A,39,11)	RS1/16SS101J
R 1110	(B,63,41)	RS1/10S1R5J	R 1524	(A,39,13)	RS1/16SS101J
R 1111	(B,70,41)	RS1/10S1R5J	R 1525	(B,53,3)	RAB4CQ560J
R 1112	(B,65,41)	RS1/10S1R5J	R 1526	(A,36,11)	RS1/16SS270J
R 1113	(B,61,41)	RS1/10S1R5J	R 1528	(A,43,14)	RS1/16SS101J
R 1114	(B,59,41)	RS1/10S1R5J	R 1529	(B,54,22)	RAB4CQ560J
R 1115	(B,66,41)	RS1/10S1R5J	R 1530	(A,43,15)	RS1/16SS105J
R 1116	(B,68,41)	RS1/10S1R5J	R 1531	(B,50,22)	RAB4CQ560J
R 1117	(B,64,49)	RS1/16SS104J	R 1532	(A,77,23)	RS1/16SS103J
R 1118	(B,70,49)	RS1/16SS104J	R 1533	(A,76,27)	RS1/16SS103J
R 1202	(A,19,12)	RS1/16SS221J	R 1534	(A,77,26)	RS1/16SS103J
R 1203	(A,19,11)	RS1/16SS221J	R 1535	(A,63,36)	RS1/16SS221J
R 1210	(A,30,27)	RS1/16SS101J	R 1537	(A,67,41)	RS1/16SS221J
R 1211	(B,26,18)	RS1/16SS3R9J	R 1538	(A,66,41)	RS1/16SS221J
R 1212	(B,27,18)	RS1/16SS3R9J	R 1540	(A,71,44)	RS1/16SS102J
R 1214	(B,28,18)	RS1/16SS3R9J	R 1541	(A,64,41)	RS1/16SS472J
R 1215	(B,29,18)	RS1/16SS3R9J	R 1542	(A,60,36)	RS1/16SS223J
R 1216	(B,30,18)	RS1/16SS3R9J	R 1543	(A,59,38)	RS1/16SS332J
R 1217	(B,31,18)	RS1/16SS3R9J	R 1544	(A,57,41)	RS1/16SS183J
R 1219	(A,20,27)	RS1/16SS101J	R 1545	(A,61,36)	RS1/16SS223J
R 1223	(A,19,4)	RS1/16SS753J	R 1546	(A,59,42)	RS1/16SS104J
R 1225	(A,19,7)	RS1/16SS753J	R 1547	(A,59,41)	RS1/16SS473J
R 1227	(B,13,21)	RS1/16SS3R9J	R 1548	(A,59,36)	RS1/16SS104J
R 1228	(B,14,21)	RS1/16SS3R9J	R 1554	(A,60,40)	RS1/16SS221J
R 1229	(B,15,21)	RS1/16SS3R9J	R 1555	(A,58,38)	RS1/16SS221J
R 1230	(B,16,21)	RS1/16SS3R9J	R 1556	(A,43,8)	RS1/16SS104J
R 1231	(B,17,21)	RS1/16SS3R9J	R 1557	(A,57,40)	RS1/16SS104J
R 1232	(B,18,21)	RS1/16SS3R9J	R 1559	(A,63,41)	RS1/16SS221J
R 1233	(B,19,21)	RS1/16SS3R9J	R 1560	(A,68,42)	RAB4CQ104J
R 1234	(B,20,21)	RS1/16SS3R9J	R 1562	(A,64,38)	RAB4CQ104J
R 1240	(B,32,18)	RS1/16SS3R9J	R 1565	(A,73,36)	RS1/16SS103J
R 1241	(B,33,18)	RS1/16SS3R9J	R 1566	(A,72,36)	RS1/16SS103J
R 1242	(B,34,18)	RS1/16SS3R9J	R 1567	(B,68,22)	RAB4CQ560J
R 1243	(B,38,18)	RS1/16SS3R9J	R 1568	(B,65,22)	RAB4CQ560J
R 1244	(B,36,18)	RS1/16SS3R9J	R 1569	(B,62,3)	RAB4CQ560J
R 1245	(B,35,18)	RS1/16SS3R9J	R 1570	(B,60,22)	RAB4CQ560J

<u>Circuit Symbol and No.</u>		<u>Part No.</u>	<u>Circuit Symbol and No.</u>		<u>Part No.</u>
R 1571	(B,57,22)	RAB4CQ560J	C 1009	(B,82,67) 10 $\mu$ F	CCG1192
R 1572	(A,47,3)	RS1/16SS103J	C 1010	(B,85,54)	CKSSYB222K50
R 1573	(B,63,20)	RS1/16SS560J			
R 1582	(A,82,26)	RS1/16SS103J	C 1011	(B,84,51)	CKSSYB104K10
R 1583	(A,82,28)	RS1/16SS103J	C 1012	(B,84,58)	CKSSYB104K10
			C 1014	(B,85,52)	CKSRYB105K10
R 1584	(A,77,28)	RS1/16SS103J	C 1015	(B,81,61) 10 $\mu$ F	CCG1171
R 1601	(A,41,25)	RS1/16SS123J	C 1016	(B,86,57)	CKSRYB472K50
R 1602	(A,39,24)	RS1/16SS123J			
R 1607	(A,41,27)	RS1/16SS105J	C 1017	(B,88,52)	CKSSYB681K50
R 1609	(A,37,29)	RN1/16SE1002D	C 1018	(B,81,60) 10 $\mu$ F	CCG1171
			C 1019	(B,58,59)	CCSSCH101J50
R 1610	(A,43,29)	RS1/16SS222J	C 1020	(B,58,57)	CKSSYB104K10
R 1613	(A,39,29)	RS1/16SS223J	C 1021	(B,60,60)	CKSRYB105K10
R 1614	(A,46,36)	RS1/16SS105J			
R 1615	(A,43,33)	RS1/16SS105J	C 1022	(B,79,47)	CKSSYB103K16
R 1616	(A,53,36)	RS1/16SS2002D	C 1023	(B,79,49)	CKSSYB104K10
			C 1024	(B,71,48)	CKSQYB475K10
R 1672	(A,43,21)	RS1/16SS303J	C 1025	(B,64,58)	CKSRYB105K10
R 1673	(A,38,22)	RS1/16SS183J	C 1029	(B,70,54)	CKSSYB104K10
R 1674	(A,34,23)	RS1/16SS562J			
R 1705	(A,55,57)	RS1/16SS0R0J	C 1030	(B,88,51)	CKSSYB104K10
R 1706	(A,52,57)	RS1/16SS201J	C 1031	(B,86,55)	CKSRYB474K10
			C 1101	(B,61,54) 10 $\mu$ F	CCG1192
R 1707	(A,55,51)	RS1/16SS0R0J	C 1102	(B,59,50) 100 $\mu$ F	CCG1232
R 1708	(A,52,50)	RS1/16SS201J	C 1103	(B,65,50) 100 $\mu$ F	CCG1232
R 1715	(A,60,56)	RS1/16SS201J			
R 1716	(A,63,57)	RS1/16SS0R0J	C 1104	(B,63,44)	CKSSYB104K10
R 1719	(A,60,50)	RS1/16SS201J	C 1105	(B,70,44)	CKSSYB104K10
			C 1106	(B,63,46)	CKSSYB103K16
R 1720	(A,63,51)	RS1/16SS0R0J	C 1107	(B,70,45)	CKSSYB103K16
R 1803	(A,72,56)	RS1/16SS821J	C 1108	(A,35,36)	CKSSYB103K16
R 1804	(A,74,56)	RS1/16SS821J			
R 1805	(A,72,62)	RS1/16SS104J	C 1109	(A,36,34)	CKSRYB105K10
R 1806	(A,74,62)	RS1/16SS104J	C 1110	(A,35,37)	CKSSYB103K16
			C 1111	(A,39,34)	CKSRYB105K10
R 1903	(A,89,52)	RS1/16SS0R0J	C 1201	(B,21,11)	CEVW101M16
R 2001	(A,77,8)	RS1/16SS820J	C 1202	(B,15,17)	CKSYB475K16
R 2003	(A,78,12)	RS1/16SS820J			
R 2004	(A,77,14)	RS1/16SS820J	C 1207	(B,16,11)	CKSQYB225K10
R 2005	(A,77,17)	RS1/16SS220J	C 1209	(A,32,17)	CKSSYB104K10
			C 1210	(A,32,19)	CKSSYB471K50
R 2006	(A,81,31)	RS1/16SS101J	C 1211	(A,19,17)	CKSSYB103K16
R 2007	(A,80,7)	RAB4CQ820J	C 1212	(A,19,8)	CKSSYB104K10
R 2009	(A,80,11)	RAB4CQ330J			
R 2010	(A,80,14)	RAB4CQ330J	C 1213	(A,19,10)	CKSSYB104K10
R 2011	(A,80,19)	RAB4CQ330J	C 1301	(B,90,25)	CKSSYB104K10
			C 1302	(B,88,25)	CKSSYB104K10
R 2012	(A,80,22)	RAB4CQ330J	C 1351	(B,86,25)	CKSSYB104K10
R 2014	(A,85,3)	RS1/16SS103J	C 1352	(B,76,19)	CKSSYB104K10
R 2015	(A,77,19)	RS1/16SS103J			
R 2017	(A,78,7)	RS1/16SS103J	C 1353	(B,81,19)	CKSSYB104K10
R 2018	(A,87,4)	RS1/16SS103J	C 1354	(B,74,8)	CKSSYB104K10
			C 1355	(B,86,8)	CKSSYB104K10
R 2019	(A,85,5)	RS1/16SS103J	C 1356	(B,84,28)	CKSYB106K6R3
R 2020	(A,89,4)	RS1/16SS103J	C 1401	(B,72,31)	CKSSYB103K16
R 2021	(A,76,9)	RS1/16SS220J			
R 2022	(A,77,9)	RS1/16SS820J	C 1402	(B,49,33)	CKSSYB104K10
R 2023	(A,78,9)	RS1/16SS220J	C 1403	(B,81,27)	CKSQYB475K6R3
			C 1405	(B,48,8)	CKSSYB103K16
			C 1406	(B,26,15)	CKSSYB104K10
			C 1407	(B,74,27)	CKSQYB475K6R3

**CAPACITORS**

C 1001	(B,68,60) 10 $\mu$ F	CCG1171	C 1408	(B,47,27)	CKSSYB104K10
C 1002	(B,68,59) 10 $\mu$ F	CCG1171	C 1481	(B,73,5)	CKSSYB104K10
C 1003	(B,73,57)	CKSRYB103K50	C 1482	(B,73,8)	CKSSYB104K10
C 1004	(B,72,54)	CKSSYB681K50	C 1483	(B,67,5)	CKSSYB104K10
C 1005	(B,73,56)	CKSSYB103K16	C 1484	(B,63,5)	CKSSYB104K10
C 1006	(B,74,52)	CCSSCH820J50	C 1485	(B,56,5)	CKSSYB104K10
C 1007	(B,75,57)	CKSSYB104K10	C 1486	(B,53,5)	CKSSYB104K10
C 1008	(B,80,67) 10 $\mu$ F	CCG1192	C 1487	(B,51,5)	CKSSYB104K10

**Circuit Symbol and No.****Part No.****Circuit Symbol and No.****Part No.**

C 1488	(B,49,5)	CKSSYB104K10	C 1616	(A,48,36)	CKSSYB104K10
C 1490	(B,68,20)	CKSSYB104K10	C 1617	(A,49,38)	CKSSYB104K10
A C 1491	(B,77,27)	CKSQYB106K6R3	C 1618	(A,51,38)	CKSSYB104K10
C 1492	(B,55,20)	CKSSYB104K10	C 1619	(A,51,36)	CKSSYB104K10
C 1493	(B,52,20)	CKSSYB104K10	C 1620	(A,50,36)	CKSSYB104K10
C 1494	(B,65,20)	CKSSYB104K10	C 1621	(A,50,38)	CKSSYB104K10
C 1496	(B,65,5)	CKSSYB102K50	C 1622	(A,53,38)	CKSSYB104K10
C 1497	(B,61,20)	CKSSYB102K50	C 1623	(A,52,39)	CKSSYB104K10
C 1498	(B,77,26)	CKSSYB102K50	C 1624	(A,43,28)	CKSSYB103K16
C 1499	(B,49,4)	CKSSYB102K50	C 1625	(A,56,36)	CKSSYB104K10
C 1501	(A,68,45)	CKSQYB106K6R3	C 1626	(A,41,31)	CKSRYB105K10
C 1502	(A,58,44)	CKSQYB106K6R3	C 1627	(A,43,23)	CKSSYB104K10
C 1503	(A,55,3)	CKSSYB104K10	C 1628	(A,54,36)	CKSSYB104K10
B C 1504	(A,58,3)	CKSSYB104K10	C 1629	(A,49,36)	CKSSYB104K10
C 1505	(A,53,3)	CKSSYB104K10	C 1630	(A,38,30)	CKSQYB106K6R3
C 1506	(A,60,3)	CKSSYB104K10	C 1671	(A,43,18)	CKSSYB104K10
C 1507	(A,68,3)	CKSSYB104K10	C 1672	(A,43,19)	CKSSYB104K10
C 1508	(A,65,3)	CKSSYB104K10	C 1673	(A,38,21)	CKSSYB104K10
C 1509	(A,70,3)	CKSSYB104K10	C 1674	(A,39,22)	CKSSYB104K10
C 1510	(A,43,11)	CKSSYB104K10	C 1675	(A,39,19)	CKSRYB105K10
C 1511	(A,77,7)	CKSSYB104K10	C 1676	(A,38,19)	CKSRYB105K10
C 1512	(A,76,11)	CKSSYB104K10	C 1677	(A,43,22)	CKSSYB104K10
C 1513	(A,43,10)	CKSSYB104K10	C 1801	(A,75,52)	CKSSYB104K10
C 1514	(A,76,17)	CKSSYB104K10	C 1802	(A,67,58) 10 μF	CCG1192
C 1515	(A,43,16)	CKSSYB104K10	C 1803	(A,67,56)	CKSSYB104K10
C 1516	(A,76,15)	CKSSYB104K10	C 1804	(A,70,58) 10 μF	CCG1192
C 1517	(A,43,17)	CKSSYB104K10	C 1805	(A,70,56)	CKSSYB104K10
C 1518	(A,37,15)	CCSSCH8R0D50	C 1808	(A,72,57)	CCSRCH182J50
C 1519	(A,37,16)	CCSSCH8R0D50	C 1809	(A,75,57)	CCSRCH182J50
C 1520	(A,49,3)	CCSSCH181J25	C 1810	(A,72,59)	CKSQYB475K6R3
C 1521	(A,76,24)	CKSSYB104K10	C 1811	(A,74,59)	CKSQYB475K6R3
C 1522	(A,77,24)	CKSSYB104K10	C 1901	(A,84,74)	CKSSYB102K50
C 1523	(A,58,36)	CKSSYB104K10			
C 1524	(A,58,37)	CKSSYB103K16			
C 1525	(A,66,36)	CKSSYB104K10			
D C 1526	(A,62,40)	CKSSYB103K16			
C 1527	(A,63,35)	CKSSYB471K50			
C 1528	(A,65,36)	CKSSYB104K10	Q 1299	Photo-taransistor	CPT231SCTD
C 1529	(A,60,38)	CKSSYB103K16	S 1201	Spring Switch(12cm)	CSN1069
C 1530	(A,59,40)	CKSSYB224K6R3	S 1202	Spring Switch(8cm)	CSN1069
C 1531	(A,57,42)	CKSSYB123K16	S 1203	Spring Switch(DISC SENS)	CSN1069
C 1536	(A,76,20)	CKSSYB104K10	S 1204	Spring Switch(DISC SENS)	CSN1070
C 1537	(A,55,44)	CKSSYB102K50	S 1205	Spring Switch(8cm)	CSN1070
C 1538	(A,53,44)	CKSSYB102K50	R 1298		RS1/16S0R0J
C 1539	(A,57,36)	CKSSYB104K10	R 1299		RS1/16S0R0J
E C 1540	(A,61,38)	CKSSYB103K16			
C 1560	(A,51,3)	CKSSYB104K10			
C 1577	(A,77,31)	CKSSYB104K10			
C 1601	(A,41,24)	CCSSCH101J50			
C 1602	(A,43,24)	CCSSCH101J50			
C 1603	(A,38,23)	CCSSCH680J50			
C 1604	(A,39,25)	CCSSCH680J50			
C 1608	(A,41,26)	CKSSYB103K16			
C 1609	(A,43,27)	CKSSYB103K16			
C 1610	(A,53,39)	CCSSCH101J50			
C 1611	(A,54,38)	CKSSYB562K25			
F C 1612	(A,55,36)	CKSSYB224K6R3			
C 1613	(A,55,38)	CKSSYB224K6R3			
C 1614	(A,56,38)	CKSSYB333K16			
C 1615	(A,41,30)	CKSRYB105K10			

**E****Unit Number : CWX3154****Unit Name : Compound Unit(A)**

Q 1299	Photo-taransistor	CPT231SCTD
S 1201	Spring Switch(12cm)	CSN1069
S 1202	Spring Switch(8cm)	CSN1069
S 1203	Spring Switch(DISC SENS)	CSN1069
S 1204	Spring Switch(DISC SENS)	CSN1070
S 1205	Spring Switch(8cm)	CSN1070
R 1298		RS1/16S0R0J
R 1299		RS1/16S0R0J

**F****Unit Number : CWX3394****Unit Name : Compound Unit(B)**

S 1206	Switch(CLAMP)	CSN1067
--------	---------------	---------

**Miscellaneous Parts List**

	Pickup Unit(Service)	CXX2118
M 1	Motor Unit(LOADING)	CXC4912
M 2	Motor(STEPPING)	CXM1364
M 3	Motor(SPINDLE)	CXM1362