

(1) PACKING SECTION PARTS LIST

<u>Mark No.</u>	<u>Description</u>	<u>Part No.</u>	<u>Mark No.</u>	<u>Description</u>	<u>Part No.</u>
1	Attachment Assy	See Contrast table (2)	24-1	Quick Start Guide	See Contrast table (2)
2	Polyethylene Bag	CEG1160	24-2	Quick Start Guide	See Contrast table (2)
3	Screw	CBA2384			
4	Screw	See Contrast table (2)	24-3	Quick Start Guide	See Contrast table (2)
* 5	Lock Tie	CNW2429	24-4	Owner's Manual	See Contrast table (2)
			24-5	Owner's Manual	See Contrast table (2)
6	Cord Assy	See Contrast table (2)	24-6	Installation Manual	See Contrast table (2)
7	USB Extended Cable	See Contrast table (2)	* 24-7	Registration Card	See Contrast table (2)
8	Microphone Assy	CPM1109			
9	Holder	CZN7192	* 24-8	Warranty Card	See Contrast table (2)
10	Cushion	CZN7193	* 24-9	Tag	See Contrast table (2)
			* 24-10	Caution Card	See Contrast table (2)
11	Cable Assy	See Contrast table (2)	* 24-11	Service Network	See Contrast table (2)
12	GPS Antenna Assy	CXE5736	24-12	Quick Start Guide	See Contrast table (2)
13	GPS Antenna	CYX1095			
14	Card Remote Control Unit	See Contrast table (2)	24-13	Important Information for the User	See Contrast table (2)
15	IM CD-ROM	See Contrast table (2)	* 24-14	Caution Card	See Contrast table (2)
			* 24-15	Caution Card	See Contrast table (2)
16	Cover	See Contrast table (2)	* 24-16	Caution Card	CRP1510
17	Protector	See Contrast table (2)	* 24-17	Caution Card	CRP1514
18	Unit Box	See Contrast table (2)			
19	Contain Box	See Contrast table (2)	25	Protector(L)	See Contrast table (2)
20	Handle	See Contrast table (2)	26	Protector(R)	See Contrast table (2)
21	Cord	See Contrast table (2)	27	Rod Antenna	See Contrast table (2)
22	Microphone Assy	See Contrast table (2)	28	Double Side Tape	CYN1012
23	Panel	See Contrast table (2)	29	Sheet	CZN7151

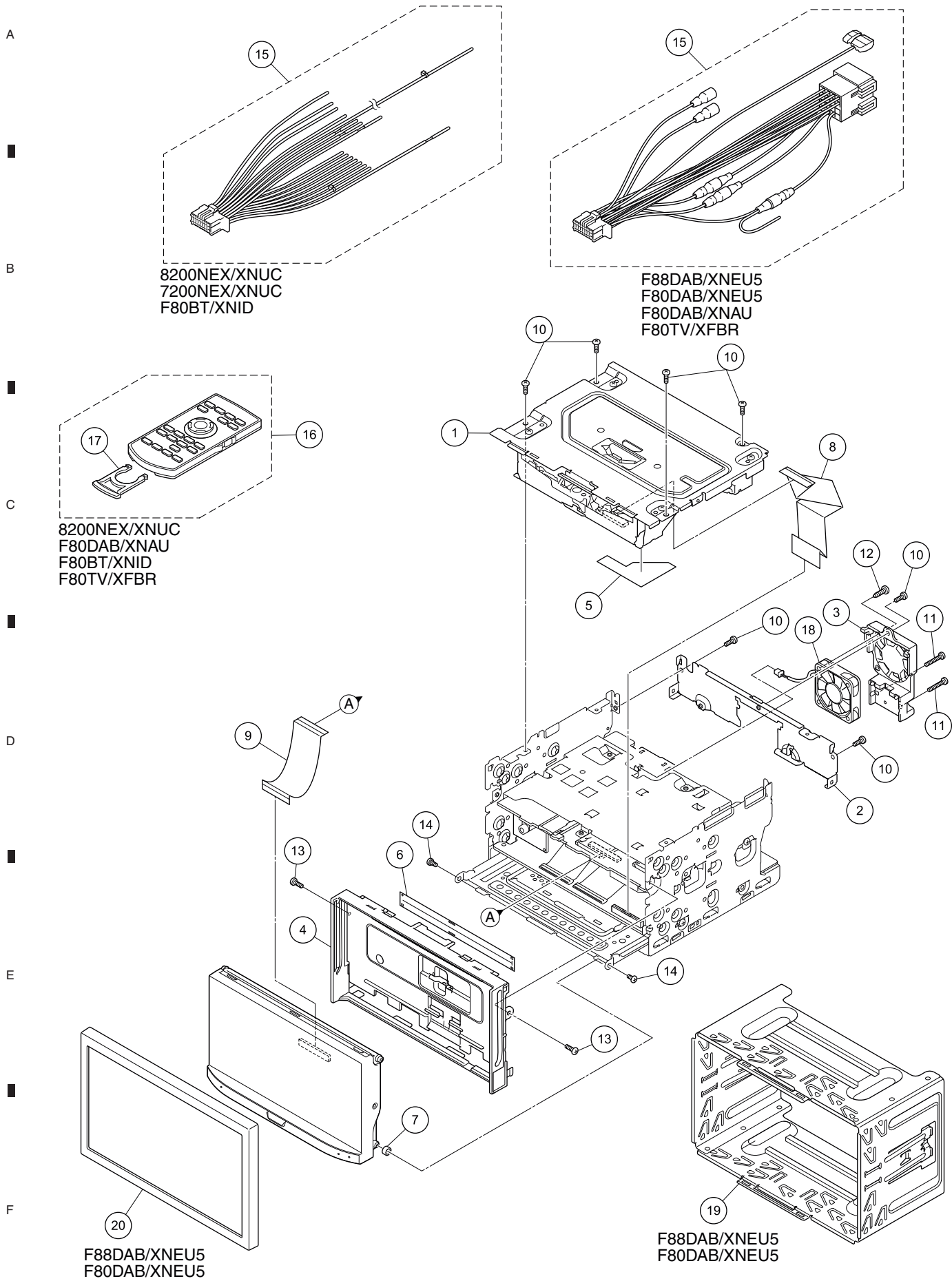
(2) CONTRAST TABLE

AVIC-8200NEX/XNUC, AVIC-7200NEX/XNUC, AVIC-F88DAB/XNEU5, AVIC-F80DAB/XNEU5, AVIC-F80DAB/XNAU, AVIC-F80BT/XNID and AVIC-F80TV/XFBR are constructed the same except for the following:

<u>Mark</u>	<u>No.</u>	<u>Description</u>	<u>AVIC-8200 NEX/XNUC</u>	<u>AVIC-7200 NEX/XNUC</u>	<u>AVIC-F88 DAB/XNEU5</u>	<u>AVIC-F80 DAB/XNEU5</u>
	1	Attachment Assy	*CED6844	*CED6844	*CED6845	CEV1603
	4	Screw	CBA2383	CBA2383	CBA2383	CBA2383
	6	Cord Assy	CDP1666	CDP1666	CDP1545	CDP1545
	7	USB Extended Cable	CDP1587 (x1)	CDP1587 (x1)	CDP1587 (x2)	CDP1587 (x2)
	11	Cable Assy	CDP1707	CDP1707	Not used	Not used
	14	Card Remote Control Unit	CXE5117	Not used	Not used	Not used
	15	IM CD-ROM	CPJ1510	CPJ1510	CPJ1512	CPJ1512
	16	Cover	CEG1359	CEG1359	CEG1356	CEG1356
	17	Protector	CHP4863	CHP4863	CHP4864	CHP4864
	18	Unit Box	CHG9229	CHG9226	CHG9231	CHG9228
	19	Contain Box	CHL9229	CHL9226	CHL9231	CHL9228
	20	Handle	Not used	Not used	CND6289	CND6289
	21	Cord	Not used	Not used	CDP1669	CDP1669
	22	Microphone Assy	Not used	Not used	Not used	Not used
	23	Panel	Not used	Not used	Not used	Not used
	24-1	Quick Start Guide	CRB4784	CRB4784	CRB4788	CRB4788
	24-2	Quick Start Guide	Not used	Not used	CRD4950	CRD4950
	24-3	Quick Start Guide	Not used	Not used	CRD4947	CRD4947
	24-4	Owner's Manual	CRD4948	CRD4948	CRD4949	CRD4949
	24-5	Owner's Manual	Not used	Not used	Not used	Not used
	24-6	Installation Manual	CRD4951	CRD4951	CRD4952	CRD4952
*	24-7	Registration Card	CRY1271	CRY1271	Not used	Not used
*	24-8	Warranty Card	QRY3001	QRY3001	CRY1376	CRY1376
*	24-9	Tag	Not used	Not used	CRW1881	CRW1881
*	24-10	Caution Card	Not used	Not used	CRP1481	CRP1481
*	24-11	Service Network	Not used	Not used	Not used	Not used
	24-12	Quick Start Guide	Not used	Not used	Not used	Not used
	24-13	Important Information for the User	Not used	Not used	Not used	Not used
	24-14	Caution Card	CRP1502	CRP1502	CRP1502	CRP1502
*	24-15	Caution Card	Not used	Not used	CRP1509	CRP1509
	25	Protector(L)	Not used	Not used	Not used	Not used
	26	Protector(R)	Not used	Not used	Not used	Not used
	27	Rod Antenna	Not used	Not used	Not used	Not used

Mark	No.	Description	AVIC-F80 DAB/XNAU	AVIC-F80 BT/XNID	AVIC-F80 TV/XFBR	
A	1	Attachment Assy	*CED6844	CEV5547	*CEC7757	
	4	Screw	CBA2383	Not used	Not used	
	6	Cord Assy	CDP1545	CDP1666	CDP1545	
	7	USB Extended Cable	CDP1587 (x1)	CDP1587 (x1)	CDP1587 (x1)	
	11	Cable Assy	CDP1707	Not used	Not used	
	14	Card Remote Control Unit	CXE5117	CXE5117	CXE7089	
	15	IM CD-ROM	CPJ1512	Not used	CPJ1513	
	16	Cover	CEG1356	CEG1356	CEG1356	
	17	Protector	CHP4863	CHP4863	Not used	
	18	Unit Box	CHG9230	CHG9227	CHG9239	
	B	19	Contain Box	CHL9230	CHL9227	CHL8941
		20	Handle	Not used	Not used	Not used
		21	Cord	CDP1669	Not used	Not used
		22	Microphone Assy	Not used	CPM1086	Not used
		23	Panel	Not used	CNS9475	CNS9475
		24-1	Quick Start Guide	CRB4785	CRB4786	Not used
		24-2	Quick Start Guide	Not used	Not used	Not used
		24-3	Quick Start Guide	Not used	Not used	Not used
24-4		Owner's Manual	CRB4791	CRB4783	Not used	
24-5		Owner's Manual	Not used	CRB4792	Not used	
C	24-6	Installation Manual	CRB4794	CRB4795	CRB4798	
	24-7	Registration Card	Not used	Not used	Not used	
	*	24-8	Warranty Card	Not used	CRY1304	Not used
	*	24-9	Tag	Not used	Not used	Not used
	*	24-10	Caution Card	CRP1481	Not used	Not used
	*	24-11	Service Network	Not used	CRY1305	CRY1227
	24-12	Quick Start Guide	Not used	Not used	CRB4796	
	24-13	Important Information for the User	Not used	Not used	CRB4797	
	*	24-14	Caution Card	CRP1502	CRP1503	Not used
	*	24-15	Caution Card	Not used	Not used	Not used
D	25	Protector(L)	Not used	Not used	CHP4275	
	26	Protector(R)	Not used	Not used	CHP4276	
	27	Rod Antenna	Not used	Not used	CXE9491	

9.2 EXTERIOR (1)



(1) EXTERIOR (1) SECTION PARTS LIST

<u>Mark No.</u>	<u>Description</u>	<u>Part No.</u>	<u>Mark No.</u>	<u>Description</u>	<u>Part No.</u>
1	DVD Mechanism Module (LS2.5)	CXK8102	11	Screw	BSZ26P120FTC
2	Holder	CND6989	12	Screw	BPZ30P080FTC
3	Heat Sink	CNR2165	13	Screw	ISS26P055FTC
4	Panel	See Contrast table (2)	14	Screw	CBA1735
5	Insulator	CNN4613	15	Cord Assy	See Contrast table (2)
6	Cover	CNN4866	16	Card Remote Control Unit	See Contrast table (2)
7	Collar	CNW2038	17	Battery Cover	See Contrast table (2)
8	FFC	CDD1033	18	Fan Motor	See Contrast table (2)
9	FFC	CDD1039	19	Holder	See Contrast table (2)
10	Screw	BSZ26P060FTC	20	Panel	See Contrast table (2)

(2) CONTRAST TABLE

AVIC-8200NEX/XNUC, AVIC-7200NEX/XNUC, AVIC-F88DAB/XNEU5, AVIC-F80DAB/XNEU5, AVIC-F80DAB/XNAU, AVIC-F80BT/XNID and AVIC-F80TV/XFBR are constructed the same except for the following:

Mark	No.	Description	AVIC-8200 NEX/XNUC	AVIC-7200 NEX/XNUC	AVIC-F88 DAB/XNEU5	AVIC-F80 DAB/XNEU5
	4	Panel	CNU3147	CNU3147	CNU3221	CNU3236
	15	Cord Assy	CDP1666	CDP1666	CDP1545	CDP1545
	16	Card Remote Control Unit	CXE5117	Not used	Not used	Not used
	17	Battery Cover	CNU1624	Not used	Not used	Not used
	18	Fan Motor	CXM1446	CXM1446	CXM1449	CXM1449
	19	Holder	Not used	Not used	CND7102	CND7102
	20	Panel	Not used	Not used	CNU2645	CNU2645

Mark	No.	Description	AVIC-F80 DAB/XNAU	AVIC-F80 BT/XNID	AVIC-F80 TV/XFBR
	4	Panel	CNU3221	CNU3220	CNU3222
	15	Cord Assy	CDP1545	CDP1666	CDP1545
	16	Card Remote Control Unit	CXE5117	CXE5117	CXE7089
	17	Battery Cover	CNU1624	CNU1624	10030-0069600
	18	Fan Motor	CXM1446	CXM1446	CXM1446
	19	Holder	Not used	Not used	Not used
	20	Panel	Not used	Not used	Not used

9.3 EXTERIOR (2)

1

2

3

4

A

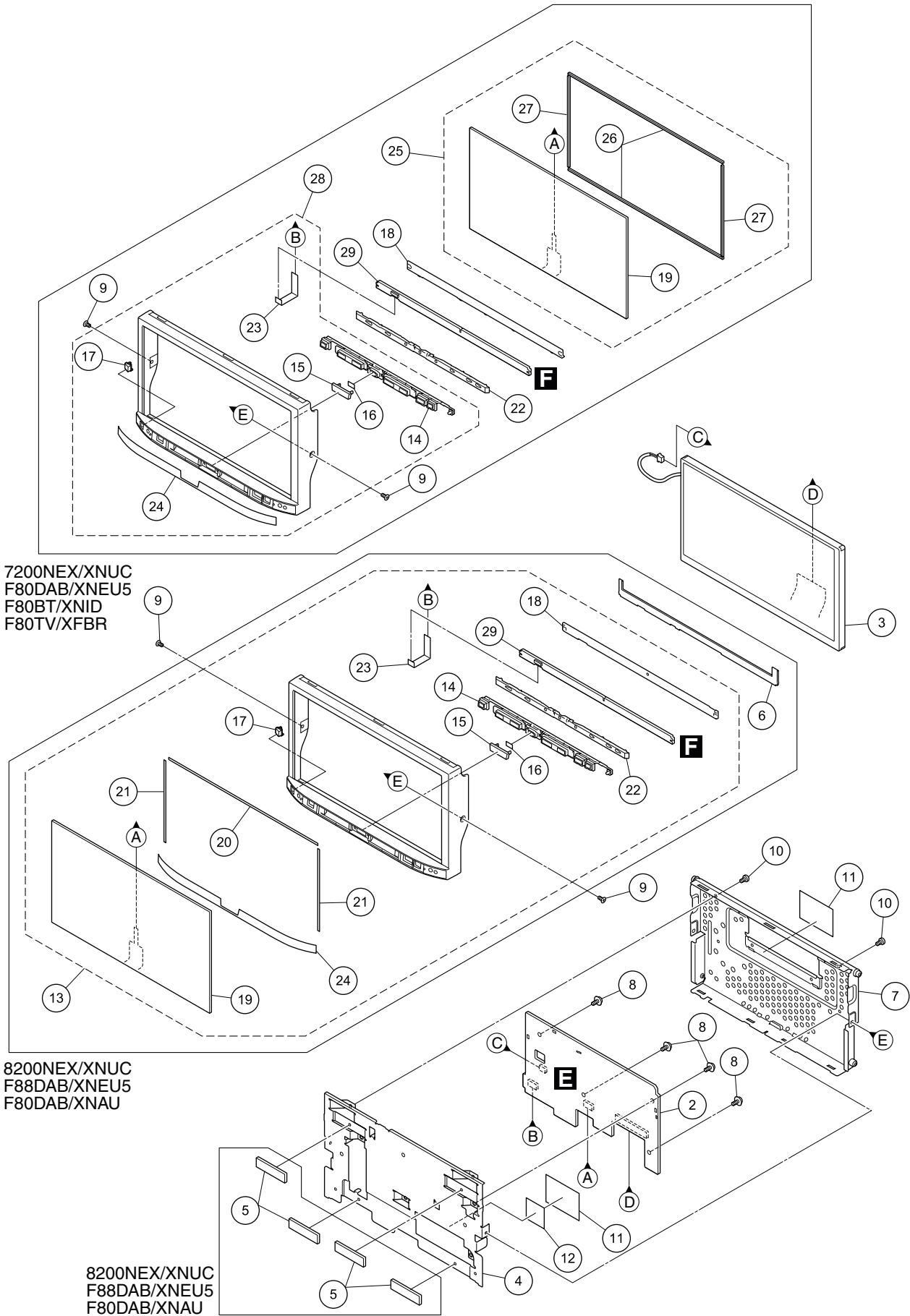
B

C

D

E

F



7200NEX/XNUC
F80DAB/XNEU5
F80BT/XNID
F80TV/XFBR

8200NEX/XNUC
F88DAB/XNEU5
F80DAB/XNAU

8200NEX/XNUC
F88DAB/XNEU5
F80DAB/XNAU

AVIC-8200NEX/XNUC

1

2

3

4

(1) EXTERIOR (2) SECTION PARTS LIST

<u>Mark No.</u>	<u>Description</u>	<u>Part No.</u>	<u>Mark No.</u>	<u>Description</u>	<u>Part No.</u>
1	•••••		16	Double Side Tape	CNN4681
2	Monitor Unit	See Contrast table (2)	17	Lighting Conductor	CNW3108
3	TFT LCD	CWX4781	18	Spacer	See Contrast table (2)
4	Holder	CND7007	19	Touch Panel	See Contrast table (2)
5	Cushion	See Contrast table (2)	20	Double Side Tape	See Contrast table (2)
6	Holder	See Contrast table (2)	21	Double Side Tape	See Contrast table (2)
7	Case Unit	CXE4761	22	Lighting Conductor	CNW3105
8	Screw	ASZ26P050FTC	23	FFC	CDD1038
9	Screw (M2 x 4)	CBA2265	24	Plate	See Contrast table (2)
10	Screw	BSZ26P050FTC	25	Touch Panel Unit	See Contrast table (2)
11	Sheet	CNN4232	26	Cushion	See Contrast table (2)
12	Sheet	CNN4869	27	Cushion	See Contrast table (2)
13	Grille Unit (Service)	See Contrast table (2)	28	Grille Assy	See Contrast table (2)
14	Button	CAI4322	29	Key Unit (Service)	CXX8723
15	Cap (HOME)	CNU2650			

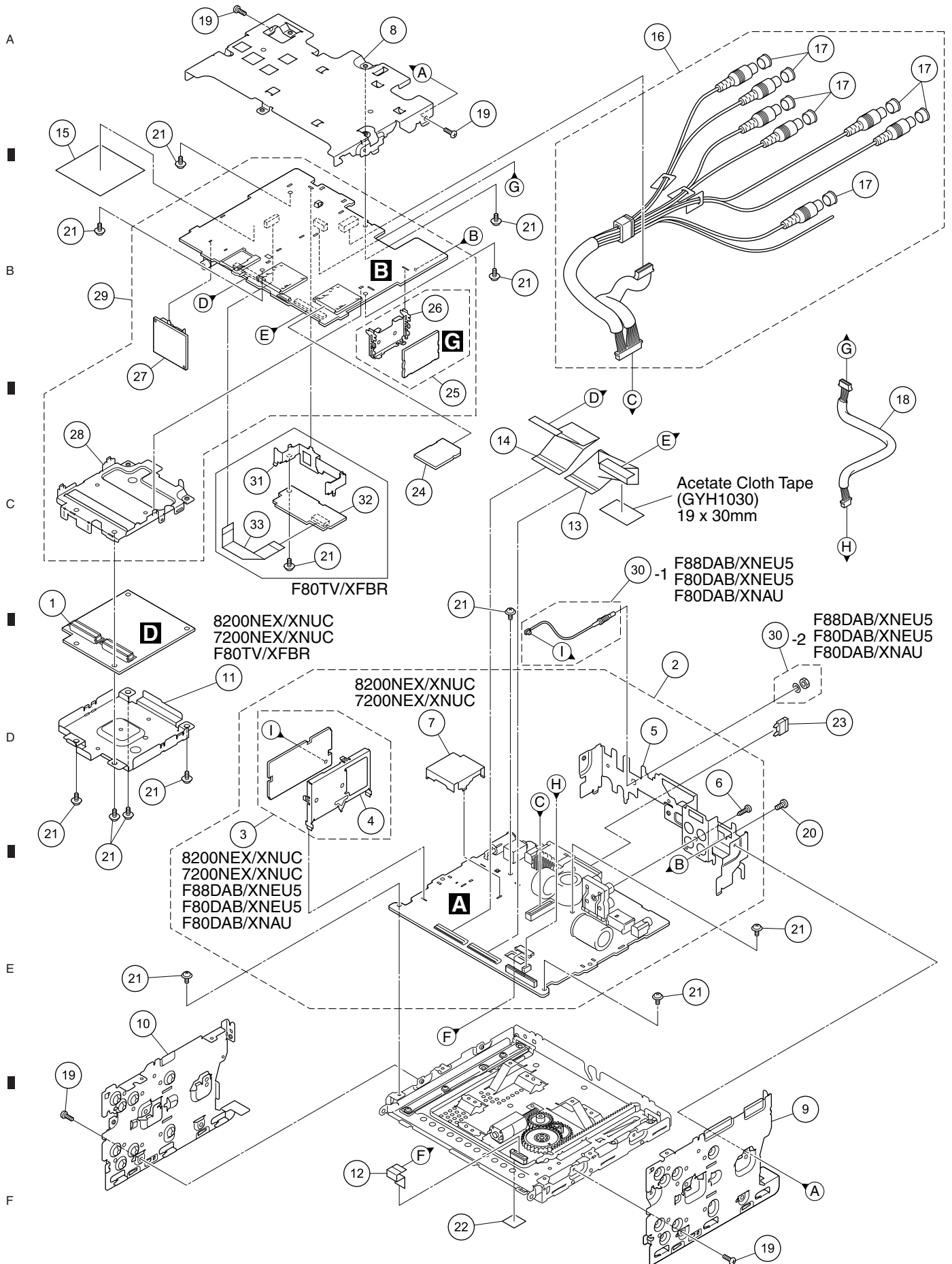
(2) CONTRAST TABLE

AVIC-8200NEX/XNUC, AVIC-7200NEX/XNUC, AVIC-F88DAB/XNEU5, AVIC-F80DAB/XNEU5, AVIC-F80DAB/XNAU, AVIC-F80BT/XNID and AVIC-F80TV/XFBR are constructed the same except for the following:

Mark	No.	Description	AVIC-8200 NEX/XNUC	AVIC-7200 NEX/XNUC	AVIC-F88 DAB/XNEU5	AVIC-F80 DAB/XNEU5
	2	Monitor Unit	CWN9924	CWN9925	CWN9924	CWN9925
	5	Cushion	CNN4680	Not used	CNN4680	Not used
	6	Holder	CNW2507	Not used	CNW2507	Not used
	13	Grille Unit (Service)	CXX8741	Not used	CXX8740	Not used
	18	Spacer	CNW3107	CNW3104 (Holder)	CNW3107	CNW3104 (Holder)
	19	Touch Panel	CSX1213	CSX1241	CSX1213	CSX1241
	20	Double Side Tape	CNN5130	Not used	CNN5130	Not used
	21	Double Side Tape	CNN5131	Not used	CNN5131	Not used
	24	Plate	CNU3480	CNU3483	CNU3481	CNU3482
	25	Touch Panel Unit	Not used	CXE7770	Not used	CXE7770
	26	Cushion	Not used	CNN4271	Not used	CNN4271
	27	Cushion	Not used	CNN4272	Not used	CNN4272
	28	Grille Assy	Not used	CXE9139	Not used	CXE9140

Mark	No.	Description	AVIC-F80 DAB/XNAU	AVIC-F80 BT/XNID	AVIC-F80 TV/XFBR
	2	Monitor Unit	CWN9924	CWN9925	CWN9925
	5	Cushion	CNN4680	Not used	Not used
	6	Holder	CNW2507	Not used	Not used
	13	Grille Unit (Service)	CXX8742	Not used	Not used
	18	Spacer	CNW3107	CNW3104 (Holder)	CNW3104 (Holder)
	19	Touch Panel	CSX1213	CSX1241	CSX1241
	20	Double Side Tape	CNN5130	Not used	Not used
	21	Double Side Tape	CNN5131	Not used	Not used
	24	Plate	CNU3482	CNU3484	CNU3485
	25	Touch Panel Unit	Not used	CXE7770	CXE7770
	26	Cushion	Not used	CNN4271	CNN4271
	27	Cushion	Not used	CNN4272	CNN4272
	28	Grille Assy	Not used	CXE9141	CXE9142

9.4 EXTERIOR (3)



Acetate Cloth Tape
(GYH1030)
19 x 30mm

30 -1
F88DAB/XNEU5
F80DAB/XNEU5
F80DAB/XNAU

30 -2
F88DAB/XNEU5
F80DAB/XNEU5
F80DAB/XNAU

8200NEX/XNUC
7200NEX/XNUC
F80TV/XFBR

8200NEX/XNUC
7200NEX/XNUC

8200NEX/XNUC
7200NEX/XNUC
F88DAB/XNEU5
F80DAB/XNEU5
F80DAB/XNAU

(1) EXTERIOR (3) SECTION PARTS LIST

<u>Mark No.</u>	<u>Description</u>	<u>Part No.</u>	<u>Mark No.</u>	<u>Description</u>	<u>Part No.</u>
1	SOC Dual Core Unit	CWN9870	16	Cable Assy	See Contrast table (2)
2	AV Unit	See Contrast table (2)	17	Cap	CNV6727
3	BE Core Unit (U1701)	See Contrast table (2)	18	Cable Assy	CDF1197
4	Holder	See Contrast table (2)	19	Screw	BSZ26P060FTC
5	Holder	See Contrast table (2)	20	Screw	BMZ30P060FTC
6	Screw	BPZ26P080FTC	21	Screw	ASZ26P050FTC
7	Shield Case	See Contrast table (2)	22	Label	CNN3533
8	Holder	CND6984	⚠ 23	Fuse (10 A)	YEK5001
9	Bracket	CND6985	24	Service Strage SD Assy	See Contrast table (2)
10	Bracket	CND6986	25	Sensor Unit	CWX4712
11	Shield Case	See Contrast table (2)	26	Holder	CND6958
12	FFC	CDD1034	27	BT Module	CWX4710
13	FFC	CDD1035	28	Holder	CND6987
14	FFC	CDD1036	29	IF Unit (Service)	See Contrast table (2)
15	Sheet	CNN4830	30	Antenna Cable Assy	See Contrast table (2)
			31	Holder	See Contrast table (2)
			32	DTT Tuner	See Contrast table (2)
			33	FFC	See Contrast table (2)

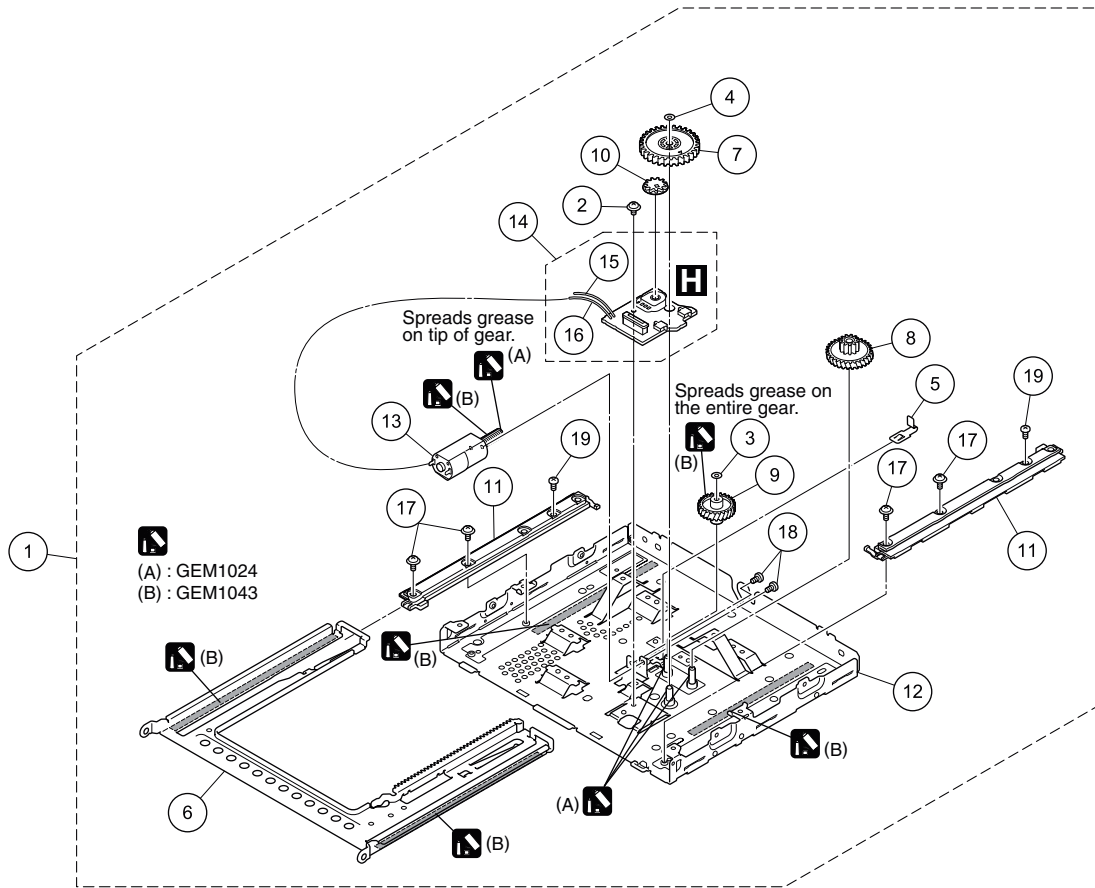
(2) CONTRAST TABLE

AVIC-8200NEX/XNUC, AVIC-7200NEX/XNUC, AVIC-F88DAB/XNEU5, AVIC-F80DAB/XNEU5, AVIC-F80DAB/XNAU, AVIC-F80BT/XNID and AVIC-F80TV/XFBR are constructed the same except for the following:

Mark	No.	Description	AVIC-8200 NEX/XNUC	AVIC-7200 NEX/XNUC	AVIC-F88 DAB/XNEU5	AVIC-F80 DAB/XNEU5
	2	AV Unit	CWN9882	CWN9884	CWN9881	CWN9886
	3	BE Core Unit (U1701)	CWE2518	CWE2518	CWE2534 (WWR Tuner Unit)	CWE2534 (WWR Tuner Unit)
	4	Holder	CND7288	CND7288	CND7288	CND7288
	5	Holder	CND6992	CND6992	CND7002	CND7409
	7	Shield Case	CND7003	CND7003	Not used	Not used
	11	Shield Case	CND6988	CND6988	Not used	Not used
	16	Cable Assy	CDF1082	CDF1082	CDF1217	CDF1082
	24	Service Strage SD Assy	CXX8731	CXX8733	CXX8730	CXX8730
	29	IF Unit (Service)	CXX8705	CXX8707	CXX8704	CXX8709
	30	Antenna Cable Assy	Not used	Not used	QXA3732	QXA3732
	31	Holder	Not used	Not used	Not used	Not used
	32	DTT Tuner	Not used	Not used	Not used	Not used
	33	FFC	Not used	Not used	Not used	Not used

Mark	No.	Description	AVIC-F80 DAB/XNAU	AVIC-F80 BT/XNID	AVIC-F80 TV/XFBR
	2	AV Unit	CWN9883	CWN9885	CWN9887
	3	BE Core Unit (U1701)	CWE2534 (WWR Tuner Unit)	Not used	Not used
	4	Holder	CND7288	Not used	Not used
	5	Holder	CND7002	CND6993	CND7365
	7	Shield Case	Not used	Not used	Not used
	11	Shield Case	Not used	Not used	CND6988
	16	Cable Assy	CDF1082	CDF1082	CDF1082
	24	Service Strage SD Assy	CXX8732	CXX8734	CXX8735
	29	IF Unit (Service)	CXX8706	CXX8708	CXX8710
	30	Antenna Cable Assy	QXA3732	Not used	Not used
	31	Holder	Not used	Not used	CND7536
	32	DTT Tuner	Not used	Not used	CWE2519
	33	FFC	Not used	Not used	CDD1122

9.5 EXTERIOR (4)



EXTERIOR (4) SECTION PARTS LIST

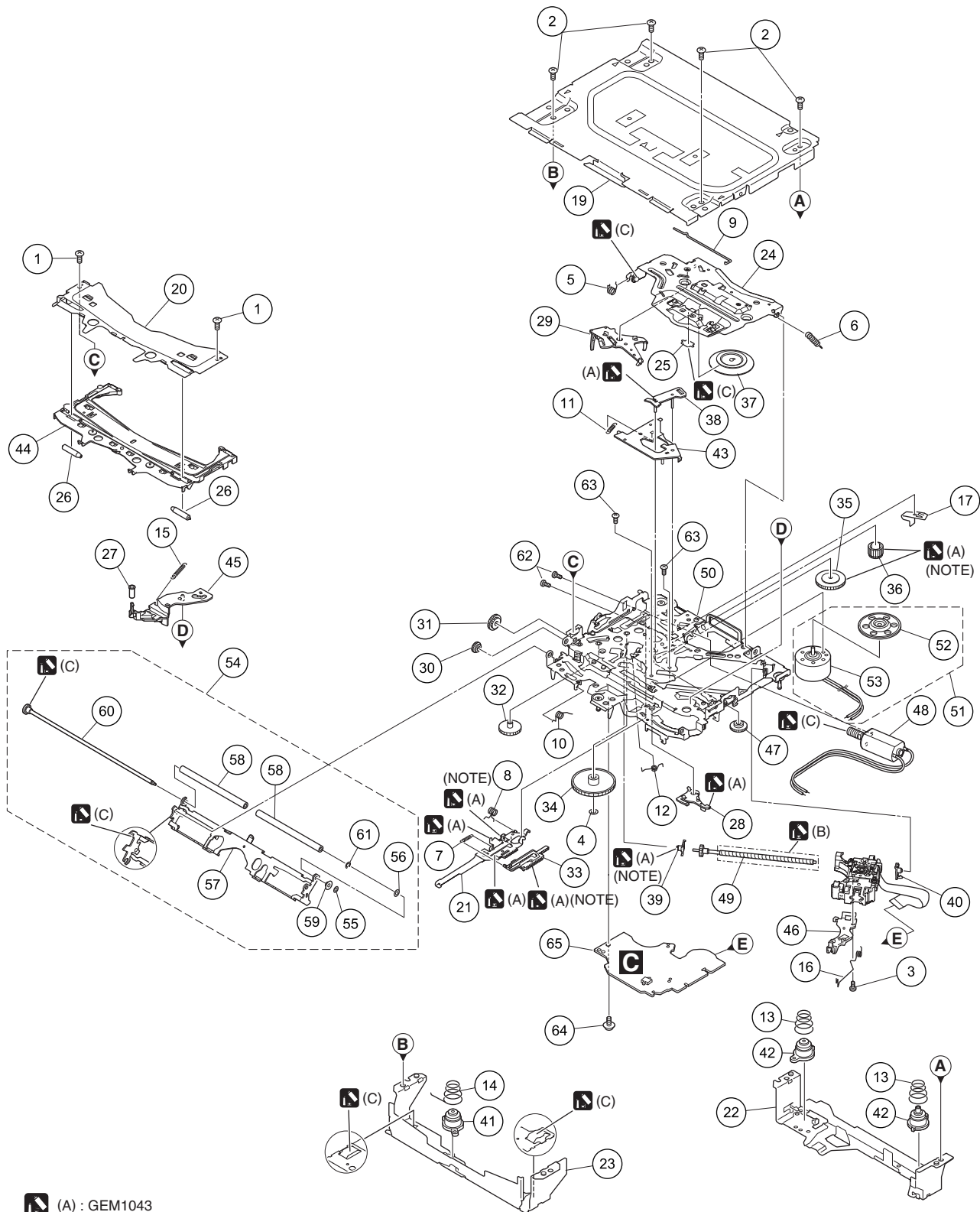
<u>Mark No.</u>	<u>Description</u>	<u>Part No.</u>	
1	Drive Mechanism Unit		
	AVIC-8200NEX/XNUC	CXE7000	A
	AVIC-7200NEX/XNUC	CXE7000	
	AVIC-F88DAB/XNEU5	CXE7000	
	AVIC-F80DAB/XNEU5	CXE7000	
	AVIC-F80DAB/XNAU	CXE7000	
	AVIC-F80BT/XNID	CXE7000	
	AVIC-F80TV/XFBR	CXE7765	
2	Screw	AMZ26P030FTC	
3	Washer	CBF1039	
4	Washer	CBF1064	
5	Spring	EBL1034	B
6	Frame	ENC2001	
7	Gear	ENV1630	
8	Gear	ENV1631	
9	Gear	ENV1632	
10	Gear	ENV1635	
11	Guide	ENV3001	
*	12 Chassis Unit	EXA4027	
	13 Motor Unit	EXA4003	
	14 PCB Assy (Service)	EXX2001	C
*	15 Cord (Green)	CDC1056	
*	16 Cord (White)	CDC1057	
	17 Screw	IMS26P060FTC	
	18 Screw	JFZ20P025FTC	
	19 Screw	EBA2002	

D

E

F

9.6 DVD MECHANISM MODULE (1)



- (A) : GEM1043
- (B) : GEM1045
- (C) : GEM1024

(NOTE) Apply grease to the whole part.

DVD MECHANISM MODULE (1) SECTION PARTS LIST

<u>Mark No.</u>	<u>Description</u>	<u>Part No.</u>	<u>Mark No.</u>	<u>Description</u>	<u>Part No.</u>
1	Screw	BSZ20P040FTC	36	Gear	CNW1187
2	Screw	BSZ26P060FTC	37	Clamper	CNW1190
3	Screw (M2 x 4)	CBA1835	38	Arm	CNW1192
4	Washer	CBF1038	39	Holder	CNW1193
5	Spring	CBH2855	40	Holder	CNW1194
6	Spring	CBH2860	41	Damper	CNW2439
7	Spring	CBH3010	42	Damper	CNW2440
8	Spring	CBH3011	43	Arm	CNW1726
9	Spring	CBH3014	44	Guide	CNW3489
10	Spring	CBH3015	45	Arm	CNW2241
11	Spring	CBH3016	46	Rack	CNW2265
12	Spring	CBH3017	47	Gear	CNW2287
13	Spring	CBH3019	48	Motor Unit	CXC4026
14	Spring	CBH3086	49	Screw Unit	CXC8894
15	Spring	CBH3095	50	Chassis Unit	CXE8407
16	Spring	CBH3096	51	
17	Plate Spring	CBL1824	*	52 Support Wheel	CNW2052
18		*	53 Spindle Motor	EXM2002
19	Case	CNB3928	54	Arm Assy	CXE7890
20	Bracket	CND4553	55	Washer	CBF1037
21	Lever	CND7225	56	Washer	CBF1038
22	Bracket	CND5710	57	Arm	CND6779
23	Bracket	CND6127	58	Roller	CNW2500
24	Arm	CND7224	59	Collar	CNW2444
25	Sheet	CNN3678	60	Gear Unit	CXE6225
26	Roller	CNW1172	61	E Ring	YE15FTC
27	Roller	CNW1175	62	Screw	JFZ20P025FTC
28	Arm	CNW1177	63	Screw	JGZ17P020FTC
29	Arm	CNW1178	64	Screw (M2 x 5)	EBA1028
30	Gear	CNW1180	65	DVD Core Unit	CWX4717
31	Gear	CNW1181			
32	Gear	CNW1183			
33	Rack	CNW1184			
34	Gear	CNW1185			
35	Gear	CNW1186			

Pickup, Spindle Motor and Support Wheel are not available as service parts, because they need adjustment by special equipment after replacing.

12. ELECTRICAL PARTS LIST

NOTE:


- Parts whose parts numbers are omitted are subject to being not supplied.
- The part numbers shown below indicate chip components.

Chip Resistor

RS1/○S○○○○J,RS1/○○S○○○○J

Chip Capacitor (except for CQS.....)

CKS....., CCS....., CSZS.....

- Parts marked by " * " are generally unavailable because they are not in our Master Spare Parts List.
- The  mark found on some component parts indicates the importance of the safety factor of the part. Therefore, when replacing, be sure to use parts of identical designation.
- Meaning of the figures and others in the parentheses in the parts list.

Example) IC 301 is on the point (face A, 91 of x-axis, and 111 of y-axis) of the corresponding PC board.

IC 301 (A, 91, 111) IC NJM2068V

- The expression of the unit in this manual is shown by μ instead of μ . Please do not make a mistake.

<u>Circuit Symbol and No.</u>	<u>Part No.</u>	<u>Circuit Symbol and No.</u>	<u>Part No.</u>
A:AVIC-8200NEX/XNUC		Unit Name : SOC Dualcore Unit	
B:AVIC-7200NEX/XNUC		Unit Number : CWN9924(A,C,E)	
C:AVIC-F88DAB/XNEU5		Unit Number : CWN9925(B,D,F,G)	
D:AVIC-F80DAB/XNEU5		Unit Name:Monitor Unit	
E:AVIC-F80DAB/XNAU		Unit Number : CXX8723	
F:AVIC-F80BT/XNID		Unit Name:Key Unit(Service)	
G:AVIC-F80TV/XFBR		Unit Number : CWX4712	
Unit Number : CWN9882(A)		Unit Name : Sensor Unit	
Unit Number : CWN9884(B)		Unit Number : EXX2001	
Unit Number : CWN9881(C)		Unit Name : PCB Assy (Service)	
Unit Number : CWN9886(D)		A	
Unit Number : CWN9883(E)		Unit Number : CWN9882(A)	
Unit Number : CWN9885(F)		Unit Number : CWN9884(B)	
Unit Number : CWN9887(G)		Unit Number : CWN9881(C)	
Unit Name : AV Unit		Unit Number : CWN9886(D)	
Unit Number : CXX8705(A)		Unit Number : CWN9883(E)	
Unit Number : CXX8707(B)		Unit Number : CWN9885(F)	
Unit Number : CXX8704(C)		Unit Number : CWN9887(G)	
Unit Number : CXX8709(D)		Unit Name : AV Unit	
Unit Number : CXX8706(E)		MISCELLANEOUS	
Unit Number : CXX8708(F)		IC 101 (A,59,104) IC	NJM12904V
Unit Number : CXX8710(G)		IC 201 (A,98,136) Power AMP IC	PA2032A
Unit Name : IF Unit(Service)		IC 302 (B,148,58) Regulator IC	MM3411A33N
Unit Number : CWX4717		IC 303 (B,164,47) DC/DC CONV IC	NJW4132U2-A
Unit Name : DVD Core Unit		IC 304 (B,170,83) Regulator	BA00CC0WFP
Unit Number : CWN9870		IC 305 (B,154,46) Regulator IC	R1516S033B-AE
		IC 501 (B,30,51) Regulator IC(Except F,G)	MM3479A33P
		IC 502 (B,33,58) Regulator IC(Except F,G)	S-1172B12-E6
		IC 503 (A,29,82) Regulator IC(C,D,E)	MM3479A33P
		IC 504 (B,46,50) Regulator IC	MM3571A33P

5		6		7		8	
<u>Circuit Symbol and No.</u>		<u>Part No.</u>		<u>Circuit Symbol and No.</u>		<u>Part No.</u>	
IC 505	(B,42,43) Regulator IC(Except F,G)	MM3571A33P		Q 2203	(B,172,104) Chip Transistor	HN1C03FU	
IC 601	(A,68,46) ROM IC	CAT93C66VI		Q 2204	(B,131,93) Chip Transistor	HN1C03FU	
* IC602	(A,90,35) Flash Blank UC IC	UPD70F3925AGMA		Q 2301	(A,115,34) Chip Transistor(F,G)	RN4982	
IC 603	(B,118,17) Reset IC	PST8229N		Q 2302	(A,115,25) Chip Transistor(F,G)	RN4982	
IC 801	(B,74,62) IC	AK4223VQ		Q 2303	(A,115,29) Chip Transistor(F,G)	RN4982	A
IC 901	(B,51,29) IC	AK4223VQ		Q 2304	(B,87,29) Chip Transistor(F,G)	RN4982	
IC 1002	(B,148,75) Dual OP-AMP	NJM4565V		D 103	(B,71,110) Diode	UDZV6R2(B)	
IC 1003	(B,152,100) Dual OP-AMP	NJM4565V		D 105	(B,129,81) Diode	DZ2J200M0	
IC 1005	(B,154,87) IC	TC4052BFT		D 106	(B,129,76) Diode	UDZV7R5(B)	
IC 1101	(B,134,55) IC	AK7734XQ		D 107	(B,127,79) Rectifier Diode	DAN202UM	
IC 1201	(A,118,44) CONV IC	WM8761BGED		D 109	(B,64,112) Rectifier Diode	DA2J101	
IC 1202	(A,116,54) CONV IC	WM8761BGED		D 110	(B,79,136) Diode	D1F60-5053	
IC 1203	(A,115,64) CONV IC	WM8761BGED		D 111	(B,75,136) Diode	D1F60-5053	
IC 1301	(B,80,89) IC	PM9012A		D 112	(B,50,108) Diode	DZ2J056M0	
IC 1501	(A,45,64) Tuner IC(A,B)	TEF6688HN		D 113	(B,52,111) Diode	DZ2J180M0	B
IC 1501	(A,45,64) Tuner IC(C,D,E,F,G)	TEF6686HN		D 116	(B,61,107) Rectifier Diode	DA2J101	
IC 1601	(A,38,45) Tuner IC(Except F,G)	TEF6686HN		D 118	(B,56,106) Rectifier Diode	DA2J101	
Q 101	(B,68,106) Bipolar TR	LSCR523UB		D 120	(A,58,112) Rectifier Diode	DA2J101	
Q 102	(B,132,78) Chip Transistor	HN1C01FU		D 122	(A,53,110) Diode	D1F60-5053	
Q 104	(B,67,108) Resistor Built-IN TR	LTC014EEB		D 123	(B,90,95) Diode	RB080L-30	
Q 105	(B,52,104) Chip Transistor	HN1C01FU		D 124	(B,105,123) Diode	CRG03	
Q 107	(B,64,106) Bipolar TR	LSAR523UB		D 201	(B,94,114) Rectifier Diode	DA2J101	
Q 108	(B,58,106) Bipolar TR	LSAR523UB		D 202	(B,76,116) Rectifier Diode	DAN202UM	
Q 109	(A,52,106) Resistor Built-IN TR	LTC014EEB		D 203	(B,72,114) Rectifier Diode	DAN202UM	
Q 110	(A,53,115) Resistor Built-IN TR	LTC014EEB		D 205	(B,93,111) Diode	DZ2J082M0	
Q 111	(B,61,104) Resistor Built-IN TR	LTC014EEB		D 206	(B,85,110) Rectifier Diode	DA2J101	C
Q 201	(B,79,111) Transistor	RN4987		D 305	(A,151,30) Diode	DZ2J062M0	
Q 202	(B,74,109) Transistor	RN4987		D 311	(B,171,44) Schottky Diode	RB551VM-30	
Q 203	(B,77,112) Resistor Built-IN TR	LTA024EEB		D 501	(B,36,54) Diode(Except F,G)	CRG03	
Q 204	(B,85,113) Chip Transistor	RN1903		D 601	(B,115,19) Rectifier Diode	DA2J101	
Q 205	(B,89,111) Bipolar TR	LSCR523UB		D 602	(B,94,24) Schottky Diode	DB2J31400	
Q 301	(B,160,39) Resistor Built-IN TR	LTC014EEB		D 603	(B,94,31) Schottky Diode	DB2J31400	
Q 302	(B,163,38) Bipolar TR	LSAR523UB		D 604	(B,74,23) Schottky Diode(A,B)	DB2J31400	
Q 307	(A,146,29) Transistor	2SCR573DG		D 1401	(B,23,103) Diode	EZAEG2A50AX	
Q 308	(A,152,33) Resistor Built-IN TR	LTC014EEB		D 1402	(B,59,83) Diode(Except F,G)	DAN217UM	
Q 312	(A,152,46) Bipolar TR	LSCR523UB		D 1404	(B,44,89) Diode(Except F,G)	RN779F	D
Q 314	(B,125,38) Chip Transistor	2SB1689		D 1501	(A,43,82) Diode	EZAEG2A50AX	
Q 315	(B,124,35) Bipolar TR	LSCR523UB		D 1502	(A,36,75) Diode	EZAEG2A50AX	
Q 602	(A,67,39) Bipolar TR	LSCR523UB		D 1702	(B,35,78) Diode(C,D,E)	DZ2J160M0	
Q 1001	(B,155,82) Chip Transistor	RN1907		L 101	(A,85,103) Choke Coil 600 uH	CTH1221	
Q 1401	(A,50,90) Transistor(Except F,G)	2SC3357		L 303	(A,170,40) Choke Coil	CTH1561	
Q 1402	(B,51,89) Bipolar TR(Except F,G)	LSAR523UB		L 901	(B,47,41) Inductor	CTF1786	
Q 1403	(B,52,85) Bipolar TR(Except F,G)	LSCR523UB		L 902	(B,48,41) Inductor	CTF1786	
Q 1404	(B,60,90) Transistor(Except F,G)	2SC4083		L 1101	(A,130,54) Ferrite Bead	CTF1528	
Q 1405	(B,58,88) Transistor(Except F,G)	2SC4083		L 1102	(A,144,52) Ferrite Bead	CTF1528	
Q 1501	(A,31,58) Bipolar TR(A,B)	MMBT2369L		L 1201	(A,112,49) Inductor	CTF1786	
Q 1502	(A,31,55) Bipolar TR(A,B)	MMBT2369L		L 1202	(A,110,59) Inductor	CTF1786	E
Q 1503	(A,38,58) Bipolar TR(A,B)	MMBT2369L		L 1203	(A,114,70) Inductor	CTF1786	
Q 1504	(A,37,55) Bipolar TR(A,B)	MMBT2369L		L 1204	(B,141,51) Chip Beads	VTL1132	
Q 1701	(B,25,79) Resistor Built-IN TR(C,D,E)	LTC014EEB		L 1405	(A,47,93) Inductor(Except F,G)	CTF1794	
Q 1702	(B,27,88) Transistor(C,D,E)	2SAR293PGZE		L 1406	(A,42,93) Inductor(Except F,G)	ATL7054	
Q 1703	(B,33,84) Transistor(C,D,E)	2SAR293PGZE		L 1407	(A,46,87) Inductor(Except F,G)	LCYB47NJ1608	
Q 1801	(B,153,20) Chip Transistor	RN4982		L 1408	(A,54,91) Inductor(Except F,G)	LCYB22NJ1608	
Q 1802	(B,148,19) Chip Transistor	RN1910		L 1409	(A,54,78) Coil(Except F,G)	CTC1213	
Q 1804	(B,159,18) Transistor	2SB1260		L 1411	(A,63,83) Inductor(Except F,G)	CTF1786	
Q 1805	(B,155,16) Resistor Built-IN TR	LTC014EEB		L 1501	(A,53,54) Inductor	CTF1749	
Q 1806	(A,153,24) IC	RZQ050P01		L 1503	(A,37,73) Inductor	LCYC150K1608	F
Q 1807	(A,153,20) Bipolar TR	LSCR523UB		L 1504	(B,29,96) Inductor	CTF1389	
Q 2201	(A,81,81) Chip Transistor	HN1C03FU		L 1505	(A,45,82) Inductor	LCMAR27J1608	
Q 2202	(A,78,85) Chip Transistor	HN1C03FU		L 1601	(A,34,33) Inductor(Except F,G)	CTF1749	

1

2

3

4

Circuit Symbol and No.**Part No.****Circuit Symbol and No.****Part No.**

L 1603 (A,56,45) Inductor(Except F,G) LCMAR27J1608
 L 2201 (A,94,72) Ferrite Bead CTF1528
 L 2202 (A,104,72) Ferrite Bead CTF1528
 L 2203 (A,94,73) Ferrite Bead CTF1528
 L 2204 (A,105,74) Ferrite Bead CTF1528

R 119 (B,53,106)
 R 120 (B,54,109)
 R 122 (B,62,110)
 R 123 (B,65,108)
 R 124 (B,65,104)
 R 125 (B,58,112)

RS1/16SS104J
 RS1/16SS472J
 RS1/16SS102J
 RS1/16SS103J
 RS1/16SS223J
 RS1/16SS103J

L 2205 (A,106,76) Ferrite Bead CTF1528
 L 2206 (A,94,76) Ferrite Bead CTF1528
 L 2207 (A,104,76) Ferrite Bead CTF1528
 L 2208 (A,94,77) Ferrite Bead CTF1528
 L 2209 (A,104,78) Ferrite Bead CTF1528

R 126 (B,56,104)
 R 127 (B,60,108)
 R 128 (B,58,108)
 R 129 (B,55,113)
 R 130 (A,54,104)

RS1/16SS223J
 RS1/16SS102J
 RS1/16SS103J
 RS1/16SS103J
 RS1/16SS104J

L 2210 (A,101,68) Ferrite Bead CTF1528
 L 2211 (A,111,82) Chip Ferrite Bead BTX1047
 X 601 (A,110,31) Resonator 3.932 16 MHz CSS1772
 X 1101 (B,136,65) Resonator 12.288 MHz CSS1811
 X 1501 (A,54,60) Crystal Resonator 9.216 MHz CSS1863

R 131 (A,53,104)
 R 132 (A,54,103)
 R 133 (A,58,107)
 R 134 (A,64,104)
 R 135 (A,65,104)

RS1/16SS473J
 RS1/16SS563J
 RS1/16SS513J
 RS1/16SS104J
 RS1/16SS513J

X 1601 (A,39,37) Crystal Resonator 9.216 MHz(Except F,G) CSS1863
 △P301 (A,156,30) Fuse 1.5 A CEK1282
 P 1401 (B,24,103) Surge Absorber IMSA-6803-01Y900
 P 1701 (B,72,100) Poly Switch(C,D,E) FSMD075-24R
 P 2101 (A,127,105) Poly Switch FSMD075-24R

R 136 (A,64,103)
 R 137 (A,60,110)
 R 138 (A,64,106)
 R 139 (A,66,107)
 R 140 (A,55,113)

RS1/16SS513J
 RS1/16SS102J
 RS1/16SS102J
 RS1/16SS564J
 RS1/16SS822J

P 2201 (A,113,78) Poly Switch FSMD075-24R
 P 2202 (B,164,125) Poly Switch FSMD075-24R
 P 2203 (B,134,99) Poly Switch FSMD075-24R
 P 2206 (B,141,98) Poly Switch FSMD075-24R
 △P2207 (A,94,101) Fuse 3.5 A CEK1343

R 141 (A,56,112)
 R 142 (A,56,114)
 R 143 (A,55,112)
 R 144 (A,49,112)
 R 145 (B,50,116)

RS1/16SS202J
 RS1/16SS203J
 RS1/16SS333J
 RS1/10SR0R0J
 RS1/4SA102J

△P2208 (A,107,89) Fuse 5.0 A CEK1346
 P 2209 (A,43,121) Poly Switch FSMD075-24R
 BZ601 (A,165,29) Buzzer CPV1062
 CN1801 (A,153,8) Connector VKN1620
 CN1802 (A,145,18) Connector CKS6007

R 149 (A,54,119)
 R 150 (B,54,116)
 R 201 (B,83,110)
 R 202 (B,92,114)
 R 205 (B,86,120)

RS1/10SR0R0J
 RS1/10SR0R0J
 RS1/16SS683J
 RS1/16SS102J
 RS1/16SS0R0J

CN1901 (A,129,35) Connector CKS6095
 CN2001 (A,108,11) Connector CKS6646
 CN2002 (A,71,11) Connector CKS6646
 CN2101 (A,157,116) Connector CKS4497
 CN2201 (A,99,83) Connector CKS6600

R 207 (A,86,121)
 R 210 (A,109,126)
 R 213 (B,87,109)
 R 214 (B,84,120)
 R 215 (B,85,120)

RS1/16SS0R0J
 RS1/16SS0R0J
 RS1/16SS683J
 RS1/16SS152J
 RS1/16SS101J

D JA 101 (A,64,132) Connector CKM1613
 JA 1401 (A,16,120) Jack CKX1104
 JA 2202 (A,174,119) Jack CKS6437
 JA 2203 (A,131,113) RCA Jack(Except C) CKB1111
 JA 2203 (A,131,113) RCA Jack(C) CKB1116

R 217 (B,90,114)
 R 218 (B,90,113)
 R 219 (B,88,113)
 R 223 (B,105,58)
 R 224 (B,86,121)

RS1/16SS473J
 RS1/16SS104J
 RS1/16SS103J
 RS1/10SR0R0J
 RS1/16SS473J

JA 2204 (A,30,131) Jack AKN1073
 JA 2205 (A,43,130) Jack CKS6437
 VL1501 (A,44,73) Variable Coil CTC1216
 VL1601 (A,48,45) Variable Coil(Except F,G) CTC1216

R 225 (B,87,117)
 R 311 (B,163,41)
 R 312 (B,161,40)
 R 313 (B,161,35)
 R 314 (B,174,87)

RS1/16SS101J
 RS1/16SS222J
 RS1/16SS222J
 RS1/16SS473J
 RS1/16SS6800D

RESISTORS

E R 102 (B,128,87) RS1/10SR224J
 R 105 (B,70,107) RS1/16SS473J
 R 106 (B,70,108) RS1/16SS473J
 R 107 (B,69,111) RS1/16SS432J
 R 108 (B,68,115) 1 kohm CCN1326

R 315 (B,174,86)
 R 316 (B,174,88)
 R 318 (B,167,95)
 R 320 (B,164,87)
 R 323 (A,151,52)

RS1/16SS3901D
 RS1/16SS2702D
 RS1/4SA0R0J
 RS1/10SR0R0J
 RS1/10SR102J

R 109 (B,130,77) RS1/16SS473J
 R 110 (B,132,80) RS1/16SS103J
 R 111 (B,130,79) RS1/16SS103J
 R 113 (B,132,75) RS1/16SS473J
 R 114 (B,66,111) RS1/16SS103J

R 324 (A,145,53)
 R 327 (A,152,29)
 R 328 (A,136,43)
 R 329 (A,153,33)
 R 341 (A,150,48)

RS1/10SR0R0J
 RS1/10SR121J
 RS1/16SS473J
 RS1/16SS220J
 RS1/16SS471J

F R 115 (B,66,114) RS1/16SS472J
 R 116 (B,64,116) RS1/4SA102J
 R 117 (B,54,104) RS1/16SS473J
 R 118 (B,52,106) RS1/16SS473J

R 342 (A,155,44)
 R 343 (A,152,44)
 R 346 (B,163,43)
 R 347 (B,161,44)

RS1/16SS103J
 RS1/16SS682J
 RS1/16SS1303D
 RS1/16SS1002D

1

2

3

4

5		6		7		8	
<u>Circuit Symbol and No.</u>		<u>Part No.</u>		<u>Circuit Symbol and No.</u>		<u>Part No.</u>	
R 354	(A,169,47)	RS1/10SR0R0J		R 662	(A,91,51) (Except F,G)	RS1/16SS101J	
R 355	(B,162,57)	RS1/16SS0R0J		R 663	(A,102,53)	RS1/16SS0R0J	
R 358	(B,156,40)	RS1/10SR0R0J		R 664	(A,109,42)	RS1/16SS101J	A
R 359	(B,159,42)	RS1/10SR0R0J		R 665	(B,103,39)	RS1/16SS471J	
R 361	(B,156,52)	RS1/10SR0R0J		R 667	(A,72,38)	RS1/16SS101J	
R 362	(B,122,38)	RS1/10SR103J		R 668	(A,71,40) (G)	RS1/16SS101J	
R 363	(B,121,34)	RS1/10SR331J		R 669	(B,77,42) (G)	RS1/16SS0R0J	
R 364	(B,126,34)	RS1/16SS103J		R 670	(B,102,23)	RS1/16SS472J	
R 365	(B,127,36)	RS1/16SS103J		R 671	(A,96,50)	RS1/16SS681J	
R 366	(B,129,33)	RS1/16SS103J		R 673	(B,103,43) (Except G)	RS1/16SS221J	
R 504	(B,30,32) (F,G)	RS1/16SS102J		R 673	(B,103,43) (G)	RS1/16SS821J	
R 505	(B,27,51) (Except F,G)	RS1/16SS102J		R 675	(B,102,22)	RS1/16SS471J	
R 508	(A,25,82) (C,D,E)	RS1/16SS102J		R 677	(A,106,45)	RS1/16SS0R0J	
R 509	(B,35,62) (Except F,G)	RS1/16SS102J		R 678	(B,84,44)	RS1/16SS121J	B
R 511	(B,41,46) (Except F,G)	RS1/16SS102J		R 679	(B,105,46)	RS1/16SS101J	
R 513	(B,29,33) (Except F,G)	RS1/16SS102J		R 680	(B,102,45)	RS1/16SS101J	
R 518	(A,75,71)	RS1/8SQ0R0J		R 682	(A,106,41)	RS1/16SS680J	
R 602	(B,77,40) (G)	RS1/16SS471J		R 684	(B,99,14)	RS1/16SS102J	
R 604	(A,74,41) (G)	RS1/16SS473J		R 685	(A,103,50)	RS1/16SS102J	
R 605	(B,85,44)	RS1/16SS121J		R 686	(A,106,25)	RS1/16SS681J	
R 607	(B,113,16)	RS1/16SS104J		R 687	(A,107,24)	RS1/16SS0R0J	
R 608	(B,103,34)	RS1/16SS104J		R 688	(A,72,27)	RS1/16SS0R0J	
R 609	(B,103,35)	RS1/16SS104J		R 689	(B,105,22)	RS1/16SS101J	
R 610	(A,105,32)	RS1/16SS100J		R 690	(A,104,23)	RS1/16SS0R0J	
R 611	(B,99,28)	RS1/16SS104J		R 691	(B,102,28)	RS1/16SS0R0J	C
R 612	(B,113,17)	RS1/16SS102J		R 693	(B,118,15)	RS1/16SS102J	
R 613	(A,105,35)	RS1/16SS473J		R 694	(B,103,33)	RS1/16SS104J	
R 614	(A,99,54)	RS1/16SS681J		R 695	(B,103,36)	RS1/16SS104J	
R 615	(A,97,50)	RS1/16SS681J		R 697	(A,106,39)	RS1/16SS471J	
R 616	(B,102,26)	RS1/16SS101J		R 698	(A,107,42)	RS1/16SS473J	
R 617	(B,102,25)	RS1/16SS101J		R 699	(A,77,49)	RS1/16SS102J	
R 618	(A,105,46)	RS1/16SS473J		R 700	(A,72,50)	RS1/16SS472J	
R 620	(B,103,23)	RS1/16SS472J		R 701	(A,77,48)	RS1/16SS102J	
R 621	(B,103,22)	RS1/16SS471J		R 702	(A,66,41)	RS1/16SS473J	
R 622	(A,101,51)	RS1/16SS473J		R 703	(A,74,48)	RS1/16SS102J	
R 623	(A,100,51)	RS1/16SS473J		R 704	(A,73,47)	RS1/16SS473J	D
R 624	(A,99,51)	RS1/16SS473J		R 705	(A,74,49)	RS1/16SS473J	
R 625	(B,103,27)	RS1/16SS182J		R 706	(B,96,53)	RS1/16SS473J	
R 630	(B,94,20)	RS1/16SS102J		R 707	(A,95,50)	RS1/16SS101J	
R 632	(B,104,27)	RS1/16SS182J		R 708	(A,94,52)	RS1/16SS681J	
R 633	(B,102,41)	RS1/16SS0R0J		R 709	(B,92,41)	RS1/16SS222J	
R 634	(A,73,46)	RS1/16SS0R0J		R 710	(B,91,43)	RS1/16SS101J	
R 637	(B,92,16)	RS1/16SS101J		R 711	(A,92,52)	RS1/16SS101J	
R 639	(B,104,46)	RS1/16SS182J		R 712	(A,85,53)	RS1/16SS221J	
R 640	(A,88,51)	RS1/16SS0R0J		R 713	(A,83,54)	RS1/16SS182J	
R 641	(A,93,54)	RS1/16SS101J		R 714	(A,84,53)	RS1/16SS221J	
R 642	(A,86,51) (A,B)	RS1/16SS102J		R 715	(A,83,53)	RS1/16SS182J	
R 645	(B,102,47)	RS1/16SS182J		R 716	(B,81,24) (B,D)	RS1/16SS104J	
R 646	(B,79,20)	RS1/16SS104J		R 717	(A,82,20) (A,C,E,F,G)	RS1/16SS104J	
R 647	(A,108,39)	RS1/16SS473J		R 720	(A,90,51) (Except F,G)	RS1/16SS101J	
R 648	(A,73,33)	RS1/16SS104J		R 722	(B,83,44)	RS1/16SS121J	
R 649	(A,75,33) (Except F,G)	RS1/16SS104J		R 723	(A,83,50) (Except F,G)	RS1/16SS104J	
R 651	(B,72,33)	RS1/16SS104J		R 724	(A,80,50) (Except F,G)	RS1/16SS102J	
R 654	(A,74,25)	RS1/16SS101J		R 725	(A,74,50)	RS1/16SS102J	
R 655	(A,73,25)	RS1/16SS101J		R 726	(A,74,45)	RS1/16SS471J	
R 656	(A,74,28)	RS1/16SS0R0J		R 727	(B,77,45)	RS1/16SS104J	
R 657	(B,98,42)	RS1/16SS103J		R 728	(A,73,44) (Except F,G)	RS1/16SS101J	F
R 659	(B,73,29)	RS1/16SS104J		R 729	(A,75,44) (Except F,G)	RS1/16SS101J	
R 660	(A,92,54)	RS1/16SS101J		R 730	(B,85,24) (A,B,F,G)	RS1/16SS104J	
R 661	(B,86,45) (Except F,G)	RS1/16SS681J		R 733	(B,86,23) (A,E,F,G)	RS1/16SS104J	

	1	2	3	4
	<u>Circuit Symbol and No.</u>	<u>Part No.</u>	<u>Circuit Symbol and No.</u>	<u>Part No.</u>
	R 738 (A,69,38)	RS1/16SS104J	R 850 (B,64,62)	RS1/16SS101J
	R 739 (A,69,40)	RS1/16SS473J	R 851 (B,65,60)	RS1/16SS101J
A	R 740 (B,92,23) (Except F,G)	RS1/16SS103J	R 852 (B,65,59)	RS1/16SS101J
	R 740 (B,92,23) (F,G)	RS1/16SS1002D	R 853 (B,63,57)	RS1/16SS101J
	R 741 (B,87,22) (B,C,D)	RS1/16SS104J	R 854 (B,65,55)	RS1/16SS101J
	R 746 (B,75,19) (A,B)	RS1/16SS0R0J	R 855 (B,65,54)	RS1/16SS101J
	R 748 (B,87,23) (C,D,E)	RS1/16SS104J	R 859 (B,82,56)	RS1/16SS75R0D
	R 750 (B,87,24)	RS1/16SS0R0J	R 901 (A,49,30)	RS1/16SS0R0J
	R 751 (B,85,33)	RS1/16SS0R0J	R 910 (B,58,31)	RS1/16SS104J
	R 752 (B,74,34)	RS1/16SS223J	R 920 (B,51,16) (A,B,G)	RS1/16SS101J
	R 754 (B,76,33)	RS1/16SS223J	R 921 (B,50,14) (A,B,G)	RS1/16SS101J
	R 755 (B,112,16)	RS1/16SS0R0J	R 922 (B,50,16) (A,B,G)	RS1/16SS101J
	R 757 (A,72,25)	RS1/16SS101J	R 923 (A,49,28)	RS1/16SS0R0J
B	R 758 (B,81,30)	RS1/16SS471J	R 944 (B,33,24)	RS1/10SR0R0J
	R 761 (A,75,23)	RS1/16SS101J	R 945 (B,56,14)	RS1/16SS0R0J
	R 762 (A,75,25)	RS1/16SS101J	R 946 (B,56,16)	RS1/16SS0R0J
	R 763 (A,77,22)	RS1/16SS101J	R 953 (B,38,11)	RS1/10SR0R0J
	R 767 (B,105,24)	RS1/16SS105J	R 954 (B,33,26)	RS1/10SR0R0J
	R 769 (B,100,43)	RS1/16SS104J	R 1007 (B,154,73)	RS1/16SS473J
	R 772 (A,84,20)	RS1/16SS471J	R 1008 (B,153,73)	RS1/16SS473J
	R 773 (A,85,20)	RS1/16SS471J	R 1009 (B,144,73)	RS1/16SS473J
	R 774 (B,85,23)	RS1/16SS104J	R 1010 (B,143,73)	RS1/16SS473J
	R 775 (A,71,40)	RS1/16SS473J	R 1011 (B,146,101)	RS1/16SS473J
	R 776 (B,80,23)	RS1/16SS104J	R 1012 (B,147,101)	RS1/16SS473J
C	R 777 (B,80,16)	RS1/16SS101J	R 1013 (B,157,101)	RS1/16SS473J
	R 779 (B,90,56)	RS1/16SS472J	R 1014 (B,158,101)	RS1/16SS473J
	R 780 (B,96,17) (C,D,E)	RS1/16SS0R0J	R 1015 (B,148,71)	RS1/16SS0R0J
	R 782 (B,93,34)	RS1/16SS1002D	R 1016 (B,152,103)	RS1/16SS0R0J
	R 787 (B,82,29)	RS1/16SS104J	R 1017 (B,145,71)	RS1/16SS473J
	R 789 (B,108,20)	RS1/16SS473J	R 1018 (B,154,103)	RS1/16SS473J
	R 790 (B,109,20)	RS1/16SS473J	R 1019 (B,152,71)	RS1/16SS473J
	R 792 (B,106,20)	RS1/16SS103J	R 1020 (B,150,103)	RS1/16SS473J
	R 793 (B,79,28)	RS1/16SS104J	R 1023 (B,143,75)	RS1/16SS473J
	R 796 (B,93,35)	RS1/16SS1001D	R 1024 (B,158,99)	RS1/16SS473J
	R 797 (B,95,26) (Except F,G)	RS1/16SS102J	R 1025 (B,154,75)	RS1/16SS473J
D	R 797 (B,95,26) (F,G)	RS1/16SS1001D	R 1026 (B,146,99)	RS1/16SS473J
	R 798 (A,108,61)	RS1/10SR0R0J	R 1027 (B,145,80)	RS1/16SS0R0J
	R 800 (B,100,46)	RS1/16SS101J	R 1028 (B,155,95)	RS1/16SS0R0J
	R 801 (A,73,63)	RS1/16SS0R0J	R 1040 (B,151,93)	RS1/16SS0R0J
	R 802 (A,75,63)	RS1/16SS0R0J	R 1044 (B,151,82)	RS1/16SS473J
	R 803 (B,78,70)	RS1/16SS101J	R 1047 (B,147,88)	RS1/16SS473J
	R 804 (B,78,71)	RS1/16SS101J	R 1048 (B,146,88)	RS1/16SS473J
	R 805 (B,81,67)	RS1/16SS101J	R 1057 (B,156,93)	RS1/16SS0R0J
	R 806 (B,83,66)	RS1/16SS101J	R 1058 (B,151,83)	RS1/16SS473J
	R 811 (B,64,56)	RS1/16SS223J	R 1061 (B,153,78)	RS1/10SR0R0J
E	R 812 (B,64,54)	RS1/16SS223J	R 1062 (B,143,78)	RS1/10SR0R0J
	R 813 (B,63,61)	RS1/16SS223J	R 1063 (B,147,96)	RS1/10SR0R0J
	R 814 (B,63,59)	RS1/16SS223J	R 1064 (B,157,96)	RS1/10SR0R0J
	R 817 (B,68,74)	RS1/16SS223J	R 1065 (B,154,68)	RS1/10SR0R0J
	R 818 (B,65,69)	RS1/16SS223J	R 1066 (B,144,67)	RS1/10SR0R0J
	R 821 (B,76,55) (C,D,E,F,G)	RS1/16SS470J	R 1067 (B,151,65)	RS1/10SR0R0J
	R 823 (B,73,54)	RS1/16SS104J	R 1068 (B,146,65)	RS1/10SR0R0J
	R 824 (B,81,69)	RS1/16SS75R0D	R 1101 (B,130,60)	RS1/16SS473J
	R 825 (B,82,67)	RS1/16SS75R0D	R 1102 (B,136,62)	RS1/16SS222J
	R 827 (B,83,58) (Except G)	RS1/16SS2200D	R 1103 (B,126,53)	RS1/16SS473J
	R 829 (B,77,55)	RS1/16SS750J	R 1104 (B,140,58)	RS1/16SS220J
F	R 831 (B,84,64)	RS1/16SS104J	R 1105 (B,139,47)	RS1/16SS101J
	R 844 (B,70,74)	RS1/16SS101J	R 1106 (B,138,47)	RS1/16SS470J
	R 845 (B,66,73)	RS1/16SS101J	R 1107 (B,144,56)	RS1/16SS101J
	R 846 (B,67,69)	RS1/16SS101J	R 1109 (B,136,43)	RS1/8SQ102J

5		6		7		8	
<u>Circuit Symbol and No.</u>		<u>Part No.</u>		<u>Circuit Symbol and No.</u>		<u>Part No.</u>	
R 1110	(B,137,47)	RS1/8SQ102J		R 1445	(B,47,87) (Except F,G)	RS1/16SS473J	
R 1111	(B,135,47)	RS1/8SQ102J		R 1447	(B,55,90) (Except F,G)	RS1/16SS0R0J	
R 1112	(B,141,58)	RS1/16SS220J		R 1448	(B,55,88) (Except F,G)	RS1/16SS132J	A
R 1113	(B,144,58)	RS1/8SQ220J		R 1449	(B,53,91) (Except F,G)	RS1/16SS751J	
R 1115	(B,131,48)	RS1/16SS0R0J		R 1453	(B,60,86) (Except F,G)	RS1/16SS0R0J	
R 1119	(B,142,56)	RS1/16SS104J		R 1502	(A,51,68)	RS1/16SS0R0J	
R 1120	(B,128,61)	RS1/8SQ222J		R 1503	(A,40,70)	RS1/16SS0R0J	
R 1121	(B,126,61)	RS1/8SQ222J		R 1505	(A,50,62)	RS1/16SS103J	
R 1122	(B,125,58)	RS1/16SS472J		R 1507	(A,49,62)	RS1/16SS103J	
R 1123	(B,125,56)	RS1/16SS472J		R 1508	(A,49,58)	RS1/16SS472J	
R 1124	(A,122,59)	RS1/8SQ0R0J		R 1509	(A,48,56)	RS1/16SS472J	
R 1205	(A,135,47)	RS1/10SR470J		R 1510	(A,48,60)	RS1/16SS101J	
R 1206	(A,135,49)	RS1/10SR470J		R 1511	(A,47,60)	RS1/16SS101J	
R 1207	(B,142,49)	RS1/10SR820J		R 1512	(A,46,57)	RS1/16SS0R0J	
R 1208	(B,143,52)	RS1/10SR470J		R 1513	(A,36,72)	RS1/16SS391J	B
R 1209	(B,142,53)	RS1/10SR470J		R 1514	(B,29,102)	RS1/16SS105J	
R 1210	(A,135,50)	RS1/10SR470J		R 1515	(B,29,98)	RS1/16SS105J	
R 1212	(B,117,45)	RS1/8SQ821J		R 1516	(A,43,57) (Except F,G)	RS1/16SS0R0J	
R 1213	(B,121,47)	RS1/8SQ821J		R 1517	(A,43,59) (Except F,G)	RS1/16SS0R0J	
R 1214	(B,114,57)	RS1/10SR821J		R 1518	(A,42,57) (Except F,G)	RS1/16SS0R0J	
R 1215	(B,115,55)	RS1/10SR821J		R 1519	(A,41,59) (Except F,G)	RS1/16SS0R0J	
R 1217	(B,116,65)	RS1/10SR821J		R 1520	(A,49,66)	RS1/16SS0R0J	
R 1218	(A,125,49)	RS1/16SS0R0J		R 1522	(A,31,60) (A,B)	RS1/16SS182J	
R 1219	(A,125,48)	RS1/16SS0R0J		R 1523	(A,33,58) (A,B)	RS1/16SS332J	
R 1220	(B,115,50)	RS1/16SS0R0J		R 1524	(A,30,51) (A,B)	RS1/16SS121J	C
R 1221	(B,120,54)	RS1/16SS0R0J		R 1525	(A,33,56) (A,B)	RS1/16SS102J	
R 1222	(B,117,60)	RS1/16SS0R0J		R 1526	(A,40,63) (A,B)	RS1/16SS0R0J	
R 1301	(A,80,79)	RS1/10SR0R0J		R 1527	(A,38,61) (A,B)	RS1/16SS0R0J	
R 1305	(B,94,119)	RS1/8SQ362J		R 1528	(A,40,57) (A,B)	RS1/16SS182J	
R 1306	(B,91,118)	RS1/8SQ362J		R 1529	(A,35,57) (A,B)	RS1/16SS332J	
R 1307	(B,98,123)	RS1/8SQ362J		R 1530	(A,40,54) (A,B)	RS1/16SS121J	
R 1308	(B,88,118)	RS1/8SQ362J		R 1531	(A,34,56) (A,B)	RS1/16SS102J	
R 1309	(B,98,120)	RS1/16SS562J		R 1532	(A,35,63) (A,B)	RS1/16SS0R0J	
R 1310	(B,91,120)	RS1/16SS562J		R 1533	(A,35,60) (A,B)	RS1/16SS0R0J	
R 1311	(B,98,121)	RS1/16SS562J		R 1534	(A,33,63) (A,B)	RS1/16SS0R0J	
R 1312	(B,90,119)	RS1/16SS562J		R 1535	(A,33,62) (A,B)	RS1/16SS0R0J	D
R 1402	(B,32,100)	RS1/16SS0R0J		R 1536	(A,33,54) (A,B)	RS1/16SS0R0J	
R 1403	(A,46,92) (Except F,G)	RS1/16SS103J		R 1537	(A,34,54) (A,B)	RS1/16SS0R0J	
R 1404	(A,43,90) (Except F,G)	RS1/4SA181J		R 1538	(A,34,59) (A,B)	RS1/16SS0R0J	
R 1405	(A,44,87) (Except F,G)	RS1/10SR0R0J		R 1539	(A,40,59) (A,B)	RS1/16SS0R0J	
R 1406	(A,54,93) (Except F,G)	RS1/10SR220J		R 1540	(A,45,52)	RS1/10SR0R0J	
R 1407	(A,54,74) (Except F,G)	RS1/16SS101J		R 1542	(A,43,52)	RS1/10SR0R0J	
R 1408	(A,43,84) (Except F,G)	RS1/16SS0R0J		R 1543	(A,33,67)	RS1/10SR0R0J	
R 1409	(A,55,73) (Except F,G)	RS1/16SS0R0J		R 1545	(A,48,58)	RS1/16SS0R0J	
R 1410	(A,40,83) (F,G)	RS1/16SS0R0J		R 1546	(A,47,58)	RS1/16SS0R0J	
R 1413	(B,37,91) (F,G)	RS1/16SS0R0J		R 1547	(A,51,56)	RS1/8SQ0R0J	
R 1415	(B,26,103)	RS1/16SS0R0J		R 1548	(A,34,67)	RS1/10SR0R0J	E
R 1417	(B,51,87) (Except F,G)	RS1/16SS472J		R 1549	(B,52,63)	RS1/16SS0R0J	
R 1418	(B,53,84) (Except F,G)	RS1/16SS271J		R 1550	(A,45,69)	RS1/16SS0R0J	
R 1420	(B,53,88) (Except F,G)	RS1/16SS220J		R 1551	(A,44,69)	RS1/16SS0R0J	
R 1421	(B,53,90) (Except F,G)	RS1/16SS472J		R 1552	(A,26,50) (A,B)	RS1/16SS0R0J	
R 1422	(B,55,86) (Except F,G)	RS1/16SS223J		R 1602	(A,42,38) (Except F,G)	RS1/16SS0R0J	
R 1423	(B,54,84) (Except F,G)	RS1/16SS474J		R 1603	(A,44,49) (Except F,G)	RS1/16SS0R0J	
R 1425	(B,59,87) (Except F,G)	RS1/16SS681J		R 1604	(A,35,38) (Except F,G)	RS1/16SS103J	
R 1426	(B,62,92) (Except F,G)	RS1/16SS271J		R 1606	(A,33,40) (Except F,G)	RS1/16SS103J	
R 1427	(B,60,92) (Except F,G)	RS1/16SS561J		R 1608	(A,32,39) (Except F,G)	RS1/16SS472J	
R 1437	(B,39,91) (Except F,G)	RS1/16SS0R0J		R 1609	(A,31,40) (Except F,G)	RS1/16SS472J	F
R 1439	(A,54,83) (Except F,G)	RS1/16SS0R0J		R 1610	(A,34,41) (Except F,G)	RS1/16SS101J	
R 1441	(B,55,92) (Except F,G)	RS1/16SS471J		R 1611	(A,33,42) (Except F,G)	RS1/16SS101J	
R 1444	(B,48,88) (Except F,G)	RS1/10SR821J		R 1612	(A,30,40) (Except F,G)	RS1/16SS0R0J	

	1	2	3	4
	<u>Circuit Symbol and No.</u>	<u>Part No.</u>	<u>Circuit Symbol and No.</u>	<u>Part No.</u>
	R 1613 (A,40,41) (Except F,G)	RS1/16SS0R0J	R 2111 (A,163,106)	RS1/16SS0R0J
A	R 1615 (A,32,41) (Except F,G)	RS1/16SS0R0J	R 2112 (A,164,104)	RS1/16SS0R0J
	R 1616 (A,32,43) (Except F,G)	RS1/16SS0R0J	R 2113 (A,163,102)	RS1/16SS0R0J
	R 1617 (A,37,30) (Except F,G)	RS1/8SQ0R0J	R 2201 (A,79,81)	RS1/16SS820J
	R 1701 (B,25,92) (C,D,E)	RS1/16SS103J	R 2202 (A,85,83)	RS1/16SS820J
	R 1702 (B,27,84) (C,D,E)	RS1/4SA471J	R 2203 (A,80,87)	RS1/16SS820J
	R 1703 (B,28,81) (C,D,E)	RS1/4SA471J	R 2204 (A,84,87)	RS1/16SS820J
	R 1704 (B,26,82) (C,D,E)	RS1/16SS1003D	R 2205 (A,76,82)	RS1/16SS223J
	R 1705 (B,24,82) (C,D,E)	RS1/16SS1802D	R 2206 (A,85,82)	RS1/16SS223J
	R 1706 (A,25,79) (C,D,E)	RS1/16SS221J	R 2207 (A,80,86)	RS1/16SS223J
	R 1709 (A,25,54) (A,B)	RAB4CQ221J	R 2208 (A,83,86)	RS1/16SS223J
	R 1715 (A,25,40) (A,B)	RAB4CQ0R0J	R 2209 (A,79,83)	RS1/16SS472J
B	R 1716 (B,25,82) (C,D,E)	RS1/16SS0R0J	R 2210 (A,77,83)	RS1/16SS472J
	R 1717 (B,35,81) (C,D,E)	RS1/16SS911J	R 2211 (A,83,84)	RS1/16SS472J
	R 1724 (A,13,83)	RS1/10SR0R0J	R 2212 (A,82,84)	RS1/16SS472J
	R 1725 (A,15,83)	RS1/10SR0R0J	R 2213 (B,170,105)	RS1/16SS821J
		R 1729 (A,26,24) (A,B)	RAB4CQ0R0J	R 2214 (B,172,101)
	R 1730 (A,27,26) (A,B,F,G)	RS1/16SS103J	R 2215 (B,170,106)	RS1/16SS223J
	R 1732 (A,46,113)	RS1/10SR0R0J	R 2216 (B,172,102)	RS1/16SS472J
	R 1733 (A,45,113)	RS1/10SR0R0J	R 2217 (B,173,106)	RS1/16SS223J
	R 1734 (A,18,24)	RS1/10SR0R0J	R 2218 (B,175,107)	RS1/16SS821J
	R 1735 (A,20,24)	RS1/10SR0R0J	R 2225 (B,26,108)	RS1/10SR0R0J
	R 1736 (B,39,65)	RS1/10SR0R0J	R 2226 (B,32,109)	RS1/10SR0R0J
C	R 1737 (B,40,64)	RS1/10SR0R0J	R 2227 (B,33,129)	RS1/16SS0R0J
	R 1746 (B,22,13)	RS1/10SR0R0J	R 2228 (B,35,129)	RS1/16SS0R0J
	R 1747 (B,24,13)	RS1/10SR0R0J	R 2229 (B,29,130)	RS1/16SS0R0J
	R 1760 (B,60,31)	RS1/10SR0R0J	R 2230 (B,46,117)	RS1/10SR0R0J
	R 1761 (B,62,31)	RS1/10SR0R0J	R 2231 (B,42,117)	RS1/10SR0R0J
	R 1765 (A,25,76) (C,D,E)	RS1/16SS221J	R 2232 (B,129,90)	RS1/16SS820J
	R 1766 (A,25,77) (C,D,E)	RS1/16SS221J	R 2233 (B,134,95)	RS1/16SS820J
	R 1767 (A,25,78) (C,D,E)	RS1/16SS221J	R 2234 (B,131,91)	RS1/16SS223J
	R 1801 (B,155,22)	RS1/16SS102J	R 2235 (B,131,95)	RS1/16SS223J
	R 1802 (A,153,12)	RS1/16SS0R0J	R 2236 (B,134,93)	RS1/16SS472J
	R 1803 (A,151,12)	RS1/16SS0R0J	R 2237 (B,128,96)	RS1/16SS472J
D	R 1804 (A,149,12)	RS1/16SS0R0J	R 2265 (A,111,89)	RS1/4SA0R0J
	R 1805 (B,159,13)	RS1/16SS471J	R 2266 (A,94,96)	RS1/4SA0R0J
	R 1806 (A,159,13)	RS1/16SS221J	R 2304 (B,150,122) (A,C,E)	RS1/16SS0R0J
	R 1807 (A,158,12)	RS1/16SS221J	R 2305 (B,152,122) (B,D,F,G)	RS1/16SS0R0J
	R 1808 (A,157,15)	RS1/16SS221J	R 2308 (B,120,132) (A,B)	RS1/16SS0R0J
	R 1809 (B,155,10)	RS1/16SS221J	R 2309 (B,121,132) (C,D)	RS1/16SS471J
	R 1810 (A,155,12)	RS1/16SS221J	R 2310 (B,122,132) (E)	RS1/16SS0R0J
	R 1811 (A,147,12)	RS1/16SS0R0J	R 2316 (B,128,132) (G)	RS1/16SS0R0J
	R 1814 (B,163,18)	RS1/10SR0R0J	R 2317 (B,129,132) (F)	RS1/16SS471J
	R 1815 (A,165,20)	RS1/4SA0R0J	R 2320 (A,105,28) (G)	RS1/16SS0R0J
	R 1816 (B,144,14)	RS1/16SS0R0J	R 2321 (A,75,40) (G)	RS1/16SS104J
E	R 1822 (B,155,18)	RS1/16SS473J	R 2333 (B,86,27) (F,G)	RS1/16SS6800D
	R 1823 (B,157,15)	RS1/8SQ561J	R 2335 (B,94,38) (F,G)	RS1/16SS6800D
	R 1826 (B,139,16)	RS1/16SS0R0J	R 2336 (A,105,37) (F,G)	RS1/16SS0R0J
	R 1827 (A,156,22)	RS1/10SR103J	R 2338 (B,95,38) (F,G)	RS1/16SS8201D
	R 1828 (A,151,18)	RS1/16SS683J	R 2339 (A,114,32) (F,G)	RS1/16SS8201D
	R 1829 (A,151,20)	RS1/16SS683J	R 2341 (B,99,38)	RS1/16SS101J
	R 1838 (B,143,27) (G)	RS1/16SS0R0J	R 2342 (B,100,38)	RS1/16SS101J
	R 1839 (B,142,25) (G)	RS1/16SS0R0J	R 2343 (B,101,37)	RS1/16SS101J
	R 1901 (A,131,41)	RS1/16SS303J	R 2344 (B,106,45)	RS1/16SS101J
	R 1904 (B,133,36)	RS1/16SS471J	R 2347 (A,81,20)	RS1/16SS101J
	R 1905 (B,131,38)	RS1/16SS681J		
F	R 1906 (B,127,44)	RS1/10SR103J		
	R 2105 (A,154,106)	RS1/10SR102J	C 101 (B,129,87)	CKSRYB104K50
	R 2107 (B,149,111)	RS1/16SS103J	C 104 (A,119,89) 15 000 uF/16 V	CCH1980
	R 2110 (A,164,107)	RS1/16SS0R0J		

CAPACITORS

5		6		7		8	
<u>Circuit Symbol and No.</u>		<u>Part No.</u>		<u>Circuit Symbol and No.</u>		<u>Part No.</u>	
C 106	(B,66,110)	CKSRYB105K10		C 606	(A,105,25)	CKSSYB104K10	
C 108	(B,52,109)	CKSSYB102K50		C 607	(B,103,29)	CKSSYB104K10	
C 110	(B,103,119)	CKSSYB104K16		C 608	(B,98,32)	CCG1331	
C 113	(A,59,108)	CKSSYB104K10		C 611	(B,87,25)	CKSSYB104K10	A
C 114	(A,63,104)	CKSSYB102K50		C 612	(A,88,50)	CKSSYB104K10	
C 115	(A,59,112)	CKSSYB104K16		C 613	(A,75,29)	CKSSYB104K10	
C 116	(A,59,113)	CKSSYB123K16		C 615	(A,105,52)	CKSSYB104K10	
C 117	(A,56,115)	CKSRYB823K16		C 616	(A,105,54) 10 uF	CCG1192	
C 201	(B,95,122)	CKSQYB105K25		C 618	(B,103,41)	CCSSCH101J50	
C 202	(B,93,122)	CKSQYB105K25		C 620	(A,70,42)	CKSSYB104K10	
C 203	(B,101,122)	CKSQYB105K25		C 625	(B,117,13)	CKSSYB102K50	
C 204	(B,90,123)	CKSQYB105K25		C 633	(B,94,29)	CKSSYB104K10	
C 205	(A,104,125) 4.7 uF	CCG1331		C 639	(B,94,28)	CKSSYB104K10	
C 206	(A,92,122)	XCEVW100M16		C 801	(B,81,58)	CKSSYB104K10	B
C 207	(B,119,127)	CKSRYB104K16		C 802	(B,80,55)	CKSSYB104K10	
C 212	(B,82,113) 4.7 uF	CCG1201		C 803	(A,71,67)	CKSRYB105K10	
C 216	(A,103,111) 4 700 uF/16 V	CCH2085		C 804	(B,70,70)	CKSRYB105K10	
C 217	(A,69,112)	XCEVW101M16		C 805	(B,71,70)	CKSRYB105K10	
C 218	(A,110,125)	CKSRYB104K50		C 806	(B,73,70)	CKSRYB105K10	
C 219	(B,89,115) 10 uF	CCG1192		C 807	(B,77,53) (Except A,B)	CCSSCH271J50	
C 220	(A,90,126) 0.1 uF	CCG1357		C 810	(A,72,66)	CKSSYB104K10	
C 312	(A,171,85)	XCEVW101M16		C 811	(B,70,67)	CKSRYB105K10	
C 313	(B,169,90)	CKSRYB105K16		C 812	(B,80,68)	CKSSYB104K10	
C 314	(B,161,36)	CKSSYB104K10		C 813	(B,66,71)	CKSRYB105K10	
C 317	(B,145,61)	CKSQYB104K25		C 814	(B,81,66)	CKSSYB104K10	C
C 318	(B,150,56)	CKSQYB104K25		C 815	(B,67,70)	CKSRYB105K10	
C 320	(A,150,56)	XCEVW101M16		C 816	(B,81,65)	CKSSYB104K10	
C 321	(A,154,29)	CKSSYB102K50		C 817	(B,66,67)	CKSQYB105K16	
C 322	(A,137,43)	CKSRYB105K10		C 818	(B,81,64)	CKSSYB104K10	
C 323	(A,143,40)	XCEVW101M16		C 819	(B,66,66)	CKSQYB105K16	
C 324	(A,152,32)	CKSSYB104K10		C 820	(B,81,63)	CKSSYB104K10	
C 327	(A,149,45)	CKSSYB104K16		C 821	(B,66,64)	CKSQYB105K16	
C 328	(A,152,48) 0.1 uF	CCG1266		C 822	(B,82,62)	CKSSYB104K10	
C 329	(A,155,45)	CKSSYB102K50		C 823	(B,67,62)	CKSRYB105K10	
C 335	(B,164,43)	CCSSCH101J50		C 824	(B,82,61)	CKSSYB104K10	
C 336	(B,171,46) 10 uF	CCG1236		C 825	(B,67,61)	CKSRYB105K10	D
C 337	(B,167,54) 10 uF	CCG1236		C 826	(B,82,60)	CKSSYB104K10	
C 339	(B,171,48) 10 uF	CCG1236		C 827	(B,67,59)	CKSRYB105K10	
C 342	(B,156,42)	CKSSYB104K16		C 828	(B,82,59)	CKSSYB104K10	
C 343	(B,154,51)	CKSRYB104K50		C 829	(B,67,58)	CKSRYB105K10	
C 344	(B,147,61)	CKSRYB105K10		C 830	(B,67,57)	CKSRYB105K10	
C 345	(B,152,56)	CKSRYB105K10		C 831	(B,68,55)	CKSRYB105K10	
C 347	(B,127,35)	CKSSYB104K10		C 832	(B,79,57)	CKSSYB104K10	
C 349	(A,152,40)	XCEVW470M16		C 833	(A,76,58) 10 uF	CCG1192	
C 502	(B,30,46) (Except F,G)	CKSRYB105K10		C 834	(B,74,54)	CKSSYB104K10	
C 503	(B,29,57) 4.7 uF(Except F,G)	CCG1201		C 835	(A,76,56)	CKSSYB104K10	
C 504	(B,31,47) (Except F,G)	CKSRYB105K10		C 836	(A,73,61)	CKSQYB104K25	E
C 505	(B,38,57) 4.7 uF(Except F,G)	CCG1201		C 837	(A,78,61)	CKSQYB104K25	
C 506	(A,33,82) (C,D,E)	CKSRYB105K10		C 838	(A,73,58) 10 uF	CCG1192	
C 507	(A,26,82) (C,D,E)	CKSSYB104K16		C 839	(A,78,60) 10 uF	CCG1192	
C 508	(A,28,86) (C,D,E)	CKSRYB105K10		C 840	(B,78,68)	CKSSYB104K10	
C 510	(B,42,51)	CKSRYB105K10		C 841	(B,74,70)	CKSRYB105K10	
C 511	(B,51,51)	CKSRYB105K10		C 842	(B,75,70)	CKSRYB105K10	
C 513	(B,43,46) (Except F,G)	CKSRYB105K10		C 843	(B,77,70)	CKSRYB105K10	
C 514	(B,43,38) (Except F,G)	CKSRYB105K10		C 901	(A,47,27)	CKSRYB105K10	
C 516	(B,31,55) (Except F,G)	CKSSYB104K16		C 902	(B,43,27)	CKSRYB105K10	
C 602	(B,116,22)	CKSRYB105K10		C 903	(B,40,28)	CKSRYB105K10	
C 603	(A,106,31)	CCSRCH220J50		C 904	(B,43,28)	CKSRYB105K10	F
C 604	(A,105,30)	CCSSCH220J50		C 905	(B,40,29) (Except D,G)	CKSRYB105K10	
C 605	(A,106,44)	CKSSYB104K10		C 906	(B,43,30) (Except D,G)	CKSRYB105K10	

	1	2	3	4
	<u>Circuit Symbol and No.</u>	<u>Part No.</u>	<u>Circuit Symbol and No.</u>	<u>Part No.</u>
	C 907 (B,40,31) (Except D,G)	CKSRYB105K10	C 1115 (A,129,57) 10 uF	CCG1192
	C 908 (A,48,27)	CKSSYB104K10	C 1116 (A,142,53) 10 uF	CCG1192
	C 909 (B,47,21)	CKSRYB105K10	C 1117 (B,127,56) 10 uF	CCG1192
A	C 910 (B,48,18)	CKSRYB105K10	C 1118 (B,128,64) 10 uF	CCG1192
	C 911 (B,49,21)	CKSRYB105K10	C 1119 (B,126,64) 10 uF	CCG1192
	C 912 (B,50,18) (A,B,G)	CKSRYB105K10	C 1120 (A,140,53)	CKSQYB104K25
	C 913 (B,50,21) (A,B,G)	CKSRYB105K10	C 1123 (B,139,60)	CCSSCH121J50
	C 914 (B,51,18) (A,B,G)	CKSRYB105K10	C 1125 (B,140,61)	CCSSCH121J50
	C 915 (A,56,32) 10 uF	CCG1192	C 1126 (B,140,63)	CCSSCH121J50
	C 916 (B,57,31)	CKSSYB104K10	C 1201 (A,123,46)	CKSSYB104K16
	C 917 (A,55,31)	CKSSYB104K10	C 1202 (A,124,46) 10 uF	CCG1192
	C 918 (A,53,27)	CKSQYB104K25	C 1205 (B,116,49) 10 uF	CCG1192
	C 919 (A,53,30)	CKSQYB104K25	C 1207 (B,141,49)	CCSSCH470J50
B	C 920 (A,51,27) 10 uF	CCG1192	C 1208 (B,146,52)	CCSSCH121J50
	C 921 (A,51,30) 10 uF	CCG1192	C 1209 (B,144,53)	CCSSCH121J50
	C 927 (B,54,18)	CKSRYB105K10	C 1210 (A,121,57)	CKSSYB104K16
	C 928 (B,55,21)	CKSRYB105K10	C 1211 (A,123,57) 10 uF	CCG1192
	C 939 (B,52,21)	CKSRYB105K10	C 1216 (A,120,66)	CKSSYB104K16
	C 940 (B,53,18)	CKSRYB105K10	C 1217 (A,121,67) 10 uF	CCG1192
	C 941 (B,53,21)	CKSRYB105K10	C 1222 (B,119,46)	CKSRYB182K50
	C 1003 (B,152,68)	CKSQYB105K16	C 1223 (B,121,49)	CKSRYB182K50
	C 1004 (B,150,68)	CKSQYB105K16	C 1224 (B,109,58)	CKSRYB182K50
	C 1005 (B,147,68)	CKSQYB105K16	C 1225 (B,113,55)	CKSRYB182K50
	C 1006 (B,145,68)	CKSQYB105K16	C 1227 (B,117,68)	CKSRYB182K50
C	C 1007 (B,149,106)	CKSQYB105K16	C 1229 (A,115,49)	CKSSYB104K16
	C 1008 (B,151,106)	CKSQYB105K16	C 1230 (A,111,57) 10 uF	CCG1192
	C 1009 (B,153,106)	CKSQYB105K16	C 1231 (A,112,59)	CKSSYB104K16
	C 1010 (B,155,106)	CKSQYB105K16	C 1232 (A,110,65) 10 uF	CCG1192
	C 1011 (B,145,72)	CCSSCH330J50	C 1233 (A,114,69)	CKSSYB104K16
	C 1012 (B,154,102)	CCSSCH330J50	C 1301 (B,86,90) 2.2 uF	CCG1218
	C 1013 (B,152,72)	CCSSCH330J50	C 1302 (B,86,88) 2.2 uF	CCG1218
	C 1014 (B,150,102)	CCSSCH330J50	C 1303 (B,93,82) 10 uF	CCG1192
	C 1015 (B,144,75)	CCSSCH330J50	C 1304 (B,87,81) 10 uF	CCG1192
	C 1016 (B,157,99)	CCSSCH330J50	C 1305 (B,85,93)	CKSRYB105K10
	C 1017 (B,153,75)	CCSSCH330J50	C 1306 (B,86,91)	CKSRYB105K10
D	C 1018 (B,147,99)	CCSSCH330J50	C 1307 (B,73,93)	CKSRYB105K10
	C 1019 (B,145,78)	CKSRYB105K16	C 1308 (B,73,92)	CKSRYB105K10
	C 1020 (B,155,96)	CKSRYB105K16	C 1314 (A,73,99)	XCEVW100M16
	C 1021 (B,145,77)	CKSSYB104K16	C 1315 (B,73,90) 2.2 uF	CCG1218
	C 1022 (B,155,98)	CKSSYB104K16	C 1317 (A,73,92)	XCEVW100M16
	C 1028 (B,151,90)	CKSSYB104K16	C 1319 (B,89,81)	CKSQYB104K25
	C 1039 (B,156,90) 10 uF	CCG1234	C 1321 (B,85,81)	CKSQYB104K25
	C 1040 (B,150,81) 10 uF	CCG1192	C 1322 (A,85,76)	XCEVW470M16
	C 1041 (B,158,92) 10 uF	CCG1192	C 1323 (A,74,77)	XCEVW470M16
	C 1042 (B,157,94)	CKSRYB105K10	C 1410 (A,55,92) (Except F,G)	CKSSYB103K16
	C 1043 (B,149,90)	CKSRYB105K10	C 1412 (A,50,87) (Except F,G)	CCSSCH270J50
E	C 1101 (B,134,62)	CCSSCH120J50	C 1413 (A,41,88) (Except F,G)	CKSSYB103K16
	C 1102 (B,138,63)	CCSSCH120J50	C 1424 (B,42,93) (Except F,G)	CKSSYB103K16
	C 1103 (B,129,50)	CKSRYB105K16	C 1428 (B,55,84) (Except F,G)	CKSRYB105K16
	C 1104 (B,130,59)	CKSSYB123K16	C 1430 (B,57,84) (Except F,G)	CKSSYB222K50
	C 1105 (A,132,59)	CKSSYB104K16	C 1431 (B,61,85) (Except F,G)	CCSSCH220J50
	C 1106 (A,130,59)	CKSQYB225K10	C 1432 (B,61,92) (Except F,G)	CKSSYB102K50
	C 1107 (B,130,50)	CKSRYB105K16	C 1435 (B,59,86) (Except F,G)	CKSSYB103K25
	C 1108 (A,138,56)	CKSQYB104K25	C 1443 (B,46,87) (Except F,G)	CKSSYB472K25
	C 1109 (A,135,53)	CKSQYB104K25	C 1444 (B,44,92) (Except F,G)	CKSSYB391K50
	C 1110 (A,133,55)	CKSQYB104K25	C 1445 (B,55,91) (Except F,G)	CCSSCH220J50
F	C 1111 (B,141,56)	CKSSYB103K16	C 1447 (B,32,103) (Except F,G)	CCSSCH150J50
	C 1112 (A,131,57)	CKSQYB104K25	C 1447 (B,32,103) (F,G)	CKSSYB103K16
	C 1113 (A,136,59)	CKSQYB104K25	C 1501 (A,54,54)	CKSSYB104K16
	C 1114 (B,127,58) 10 uF	CCG1192	C 1502 (A,54,56)	CKSSYB104K16

5			6			7			8		
<u>Circuit Symbol and No.</u>			<u>Part No.</u>			<u>Circuit Symbol and No.</u>			<u>Part No.</u>		
C 1503	(A,56,55)	10 uF	CCG1192			C 2228	(A,108,75)		CCSSCH270J50		
C 1504	(A,46,55)	10 uF	CCG1192			C 2231	(B,170,107)		CCSRCH101J50		
C 1505	(A,48,67)		CKSSYB104K16			C 2232	(B,173,107)		CCSRCH101J50		
C 1507	(A,47,68)		CKSSYB224K6R3			C 2233	(A,172,103)		CCSRCH121J50		A
C 1508	(A,47,69)		CKSSYB102K50								
C 1509	(A,42,67)		CKSSYB104K16								
C 1511	(A,47,79)		CCSSCH220J50								
C 1512	(A,42,79)		CCSSCH271J50								
C 1515	(A,45,60)		CKSSYB104K16								
C 1518	(A,37,70)		CCSSCH102J50								
C 1519	(B,28,101)		CCSSCH471J50								
C 1523	(A,40,65)		CKSSYB152K50								
C 1533	(A,41,83)	(Except F,G)	CCSSCH220J50								
C 1533	(A,41,83)	(F,G)	CCSSCH100D50								
C 1601	(A,36,32)	(Except F,G)	CKSSYB104K16								
C 1602	(A,36,34)	(Except F,G)	CKSSYB104K16								
C 1603	(A,38,33)	10 uF(Except F,G)	CCG1192								
C 1604	(A,30,37)	10 uF(Except F,G)	CCG1192								
C 1605	(A,41,41)	(Except F,G)	CKSSYB104K16			IC 7003	(A,79,104)	IC	NJM2387ADL3		
C 1607	(A,42,43)	(Except F,G)	CKSSYB224K6R3			IC 7004	(A,12,34)	Regulator IC	MM3479A18P		
C 1608	(A,43,43)	(Except F,G)	CKSSYB102K50			IC 7008	(A,118,47)	Regulator IC(Except D,G)	MM3479A12P		
C 1609	(A,41,47)	(Except F,G)	CKSSYB104K16			IC 7009	(B,140,74)	Regulator IC	MM3479A33P		
C 1611	(A,53,43)	(Except F,G)	CCSSCH220J50			IC 7010	(A,82,44)	Regulator IC	MM3411A15N		
C 1612	(A,53,48)	(Except F,G)	CCSSCH820J50			IC 7011	(B,26,78)	IC	AN33012UA		
C 1613	(A,34,45)	(Except F,G)	CKSSYB104K16			IC 7012	(A,32,91)	IC	NJM2886DL3-05		C
C 1617	(A,57,47)	(Except F,G)	CCSSCH100D50			IC 7101	(B,52,70)	DC/DC CONV IC	LTC3858EGN-1		
C 1703	(A,25,86)	(C,D,E)	CKSSYB104K10			IC 7202	(A,97,107)	DC/DC CONV IC	AN33014UA		
C 1705	(A,26,57)	10 uF(Except F,G)	CCG1192			IC 7203	(A,91,86)	DC/DC CONV IC	AN33014UA		
C 1706	(A,25,57)	(Except F,G)	CKSSYB104K10			IC 7601	(B,162,29)	CONV IC	WM8761BGED		
C 1707	(A,26,46)	10 uF(Except F,G)	CCG1192			IC 7602	(B,140,25)	CONV IC	WM8761BGED		
C 1708	(A,25,46)	(Except F,G)	CKSSYB104K10			IC 7603	(B,138,54)	CONV IC	WM8761BGED		
C 1710	(B,35,80)	(C,D,E)	CKSSYB104K16			IC 7701	(B,32,51)	IC	NJM2740V		
C 1711	(B,20,16)	(Except F,G)	CKSSYB104K16			IC 7703	(B,143,65)	AD Convrtcr IC	AK5357VT		
C 1801	(B,162,13)		CKSSYB104K10			IC 7704	(A,22,35)	IC	TC4066BFT		
C 1804	(B,166,16)		CKSSYB104K16			IC 7705	(A,7,105)	IC	NJU7043V		
C 1805	(A,166,13)		CKSSYB104K16			IC 7706	(A,43,41)	IC	AK7738VQ		D
C 1806	(B,157,10)		CCSSCH101J50			IC 7709	(B,45,49)	IC	NJM2740V		
C 1813	(B,158,11)		CCSSCH101J50			IC 7851	(A,66,8)	IC(G)	NJM2235V		
C 1814	(B,162,8)		CCSSCH270J50			IC 7901	(B,63,43)	V AMP IC	BH7673G		
C 1815	(B,145,11)		CCSSCH270J50			IC 7902	(B,67,43)	V AMP IC	BH7673G		
C 1824	(B,91,83)		CKSQYB104K25			IC 7903	(A,65,43)	V AMP IC	BH7673G		
C 1901	(B,131,41)		CKSSYB104K10			IC 7904	(A,61,44)	V AMP IC	BH7673G		
C 2101	(B,157,109)		CCSRCH101J50			IC 7905	(A,81,61)	IC	ML86V7675TBZA3A		
C 2102	(B,156,111)		CCSRCH101J50			IC 7906	(A,94,59)	IC	TC74LCX541FK		
C 2103	(B,159,113)		CCSRCH101J50			IC 7907	(A,94,66)	IC	TC7SZ125FUS1		
C 2201	(A,76,88)	10 uF	CCG1192			IC 7908	(B,74,87)	V AMP IC	BH7673G		
C 2202	(A,85,84)	10 uF	CCG1192			IC 7911	(B,70,80)	V AMP IC	BH7673G		E
C 2203	(A,81,88)	10 uF	CCG1192			IC 7912	(B,68,68)	V AMP IC	BH7673G		
C 2204	(A,86,88)	10 uF	CCG1192			IC 8001	(B,113,64)	IC(Except D,G)	MN864779KT		
C 2205	(B,163,127)		CCSSCH101J50			IC 8003	(A,124,66)	IC(Except D,G)	WM8761BGED		
C 2208	(B,26,110)		CKSRYP104K50			IC 8103	(A,146,77)	IC	NJM2115V		
C 2209	(B,30,110)		CKSRYP104K50			IC 8202	(B,48,24)	IC(A,B)	TC7WZ34FK		
C 2210	(B,128,94)	10 uF	CCG1192			IC 8501	(A,13,89)	IC(Except F,G)	TC7SH08FUS1		
C 2211	(B,136,93)	10 uF	CCG1192			IC 8502	(B,140,92)	IC	MAX14644ETA		
C 2217	(A,109,76)		CKSRYP104K50			IC 8504	(A,7,89)	L-MOS And Gate(Except F,G)	TC7SET08FUS1		
C 2220	(B,170,103)	4.7 uF	CCG1201			IC 8505	(A,42,109)	L-MOS And Gate(A,B)	TC7SET08FUS1		
C 2221	(B,175,104)	4.7 uF	CCG1201			IC 8506	(A,34,109)	IC(A,B)	TC7SH08FUS1		F
C 2225	(B,24,113)		CCSSCH270J50			IC 8507	(A,38,109)	L-MOS And Gate(A,B)	TC7SET08FUS1		
C 2226	(B,31,132)		CCSSCH270J50			IC 8601	(A,20,8)	IC	NJM4565V		
C 2227	(B,113,79)		CCSSCH270J50								

B
Unit Number : CXX8705(A)
Unit Number : CXX8707(B)
Unit Number : CXX8704(C)
Unit Number : CXX8709(D)
Unit Number : CXX8706(E)
Unit Number : CXX8708(F)
Unit Number : CXX8710(G)
Unit Name : IF Unit(Service)

MISCELLANEOUS

1

2

3

4

Circuit Symbol and No.**Part No.****Circuit Symbol and No.****Part No.**

Q 7002	(A,70,101) Resistor Built-IN TR	LTC014EEB	D 8508	(B,143,102) Diode	EZAEG2A50AX
Q 7011	(A,107,46) IC	RZQ050P01	D 8509	(B,141,103) Diode	EZAEG2A50AX
Q 7012	(A,113,47) Transistor	LSCR523UB	D 8601	(A,45,13) Diode	DZ2S068C
Q 7013	(A,21,66) Transistor	ATP112-H	D 8602	(A,32,10) Diode	DZ2S068C
Q 7014	(A,12,74) Chip Transistor	2SB1689	L 7003	(A,30,62) SMD SPL Inductor	CTH1544
Q 7015	(A,8,78) Transistor	LSCR523UB	L 7101	(A,50,60) Inductor	CTH1482
Q 7016	(A,63,85) IC	RZQ050P01	L 7102	(A,50,81) Choke Coil 3.6 uH	CTH1479
Q 7017	(A,66,88) Transistor	LSCR523UB	L 7103	(B,34,76) Inductor	CTF1738
Q 7101	(A,41,78) FET	FK8V03040	L 7201	(B,109,109) SMD SPL Inductor	CTH1524
Q 7102	(A,41,62) FET	FK8V03040	L 7202	(B,103,89) SMD SPL Inductor	CTH1524
Q 7103	(A,38,78) FET	FK8V03050	L 7203	(B,102,112) Inductor	CTF1793
Q 7104	(A,38,62) FET	FK8V03050	L 7204	(B,96,92) Inductor	CTF1793
Q 7201	(A,139,71) Resistor Built-IN TR	LTC014EEB	L 7301	(B,83,44) Inductor	CTF1868
Q 7202	(A,144,68) Bipolar TR	LSAR523UB	L 7302	(B,88,44) Inductor	CTF1870
Q 7203	(A,141,73) Resistor Built-IN TR	LTC014EEB	L 7303	(B,143,33) Inductor(A,B,G)	CTF1795
Q 7204	(A,146,72) Bipolar TR	LSAR523UB	L 7304	(B,145,32) Inductor(A,B,G)	CTF1795
Q 7703	(B,27,36) Bipolar TR	LSCR523UB	L 7305	(B,148,30) Inductor	CTF1795
Q 7704	(A,29,30) Resistor Built-IN TR	LTC044EEB	L 7306	(B,150,30) Inductor	CTF1795
Q 7705	(A,29,35) Resistor Built-IN TR	LTC044EEB	L 7307	(B,152,31) Inductor	CTF1795
Q 7851	(A,74,94) Bipolar TR(G)	LSCR523UB	L 7308	(B,150,31) Inductor	CTF1795
Q 7852	(A,54,10) Bipolar TR(G)	LSCR523UB	L 7309	(B,138,44) Inductor	CTF1795
Q 7901	(B,63,49) Bipolar TR	LSCR523UB	L 7310	(B,94,43) Inductor	CTF1795
Q 7902	(B,67,49) Bipolar TR	LSCR523UB	L 7311	(B,95,45) Inductor	CTF1795
Q 7903	(A,65,49) Bipolar TR	LSCR523UB	L 7312	(B,96,47) Inductor	CTF1795
Q 7904	(A,61,50) Bipolar TR	LSCR523UB	L 7313	(B,96,44) Inductor	CTF1795
Q 7905	(B,59,53) Bipolar TR	LSCR523UB	L 7314	(B,97,46) Inductor	CTF1795
Q 7906	(A,72,72) Bipolar TR	LSCR523UB	L 7315	(B,97,47) Inductor	CTF1795
Q 7907	(B,74,77) Bipolar TR	LSCR523UB	L 7501	(A,101,39) Inductor	CTF1736
Q 7908	(B,67,64) Bipolar TR	LSCR523UB	L 7502	(A,151,49) Inductor	CTF1736
Q 8001	(A,119,91)Resistor Built-IN TR(Except D,G)	LTC023EEB	L 7601	(B,166,21) Inductor	CTF1786
Q 8002	(A,117,95) Bipolar TR(Except D,G)	LSAR523UB	L 7602	(B,136,19) Inductor	CTF1786
Q 8003	(A,117,73) Chip Transistor(Except D,G)	RN4982	L 7603	(B,147,49) Inductor	CTF1786
Q 8101	(A,147,84) Transistor	2SAR293PGZE	L 7703	(B,29,33) Ferrite Bead	CTF1528
Q 8501	(A,138,97) Bipolar TR	LSAR523UB	L 7704	(B,152,64) Inductor	CTF1558
Q 8601	(A,28,12) Chip Transistor	RN4983	L 7705	(B,149,60) Inductor	CTF1558
D 7006	(A,26,71) Diode	RB080L-30	L 7707	(B,28,25) Inductor	CTF1869
D 7101	(B,45,67) Diode	DB2J41100	L 7902	(A,69,65) Inductor	CTF1869
D 7102	(B,45,65) Diode	DB2J41100	L 7903	(A,79,74) Inductor	CTF1869
D 7201	(B,98,112) Diode	RB060M-30	L 7904	(A,86,47) Inductor	CTF1869
D 7202	(B,92,91) Diode	RB060M-30	L 7905	(A,78,41) Inductor	CTF1869
D 7501	(B,127,29) Diode	RB501VM-40	L 7906	(A,97,69) Inductor	CTF1869
D 7502	(A,127,25) Diode	RB501VM-40	L 7907	(A,96,63) Inductor	CTF1869
D 7512	(B,89,26) Diode	DZ2J039M0	L 7909	(A,96,65) Chip Beads	VTL1126
D 8001	(B,131,100) Diode(Except D,G)	EZAEG2A50AX	L 7915	(A,85,52) Inductor	CTF1787
D 8002	(B,129,100) Diode(Except D,G)	EZAEG2A50AX	L 7916	(A,82,51) Inductor	CTF1787
D 8003	(B,129,98) Diode(Except D,G)	EZAEG2A50AX	L 7917	(A,90,65) Inductor	CTF1787
D 8004	(B,127,98) Diode(Except D,G)	EZAEG2A50AX	L 7918	(A,91,62) Inductor	CTF1787
D 8005	(B,127,100) Diode(Except D,G)	EZAEG2A50AX	L 7919	(A,80,52) Inductor	CTF1787
D 8006	(B,125,100) Diode(Except D,G)	EZAEG2A50AX	L 7920	(A,79,52) Inductor	CTF1787
D 8007	(B,124,98) Diode(Except D,G)	EZAEG2A50AX	L 7921	(A,76,52) Inductor	CTF1787
D 8008	(B,123,98) Diode(Except D,G)	EZAEG2A50AX	L 7922	(A,81,72) Inductor	CTF1787
D 8011	(B,116,98) Diode(Except D,G)	EZAEG2A50AX	L 7923	(A,83,71) Inductor	CTF1787
D 8012	(B,115,100) Diode(Except D,G)	EZAEG2A50AX	L 7930	(A,102,60) Chip Beads	VTL1127
D 8013	(A,113,76)Rectifier Diode(Except D,G)	DA2J101	L 7931	(A,101,60) Chip Beads	VTL1127
D 8014	(B,122,101) Diode(Except D,G)	EZAEG2A50AX	L 7932	(A,102,59) Chip Beads	VTL1127
D 8015	(A,123,78) Diode(Except D,G)	DAN202UM	L 7933	(A,101,58) Chip Beads	VTL1127
D 8016	(B,119,102) Diode(Except D,G)	EZAEG2A50AX	L 7934	(A,102,58) Chip Beads	VTL1127
D 8501	(A,10,86) Rectifier Diode(Except F,G)	DA2J101	L 7935	(A,101,57) Chip Beads	VTL1127
D 8506	(B,143,100) Diode	EZAEG2A50AX	L 7936	(A,102,56) Chip Beads	VTL1127
D 8507	(B,141,104) Diode	EZAEG2A50AX	L 7937	(A,101,56) Chip Beads	VTL1127

1

2

3

4

5		6		7		8	
<u>Circuit Symbol and No.</u>		<u>Part No.</u>		<u>Circuit Symbol and No.</u>		<u>Part No.</u>	
L 8001	(B,130,96)	Noise Filter(Except D,G)	CTF1834	R 7008	(A,70,104)		RS1/16SS473J
L 8002	(B,123,96)	Noise Filter(Except D,G)	CTF1834	R 7011	(A,71,103)		RS1/16SS2401D
L 8003	(B,126,96)	Noise Filter(Except D,G)	CTF1834	R 7017	(A,72,104)		RS1/16SS8201D
L 8004	(B,128,96)	Noise Filter(Except D,G)	CTF1834	R 7018	(A,72,101)		RS1/16SS2201D
L 8005	(B,110,73)	Ferrite Bead(Except D,G)	CTF1528	R 7025	(A,36,87)		RS1/16SS0R0J
L 8006	(B,120,67)	Chip Beads(Except D,G)	VTL1127	R 7026	(A,41,87)		RS1/10SR0R0J
L 8007	(B,120,65)	Chip Beads(Except D,G)	VTL1127	R 7029	(A,16,32)		RS1/16SS102J
L 8008	(B,120,64)	Chip Beads(Except D,G)	VTL1127	R 7032	(A,13,38)		RS1/8SQ0R0J
L 8009	(B,120,62)	Chip Beads(Except D,G)	VTL1126	R 7035	(B,136,71)		RS1/16SS102J
L 8011	(A,123,74)	Inductor(Except D,G)	CTF1786	R 7041	(A,113,44)		RS1/16SS683J
L 8012	(A,109,79)	Inductor(Except D,G)	CTF1795	R 7049	(A,107,49)		RS1/10SR103J
L 8101	(A,157,83)	Inductor	LCYC1R0K2125	R 7050	(A,111,46)		RS1/16SS683J
L 8102	(A,152,84)	Chip Ferrite Bead	OTL8019	R 7056	(A,99,47)		RS1/8SQ0R0J
L 8103	(B,152,75)	Inductor	CTF1547	R 7057	(A,102,45)		RS1/10SR331J
L 8104	(B,152,77)	Inductor	CTF1547	R 7066	(B,28,69)		RS1/16SS2702D
L 8201	(B,55,18)	Ferrite Bead	CTF1528	R 7067	(B,28,70)		RS1/16SS1101D
L 8202	(B,54,18)	Ferrite Bead	CTF1528	R 7068	(B,29,71)		RS1/16SS2701D
L 8203	(B,53,18)	Ferrite Bead	CTF1528	R 7071	(A,18,77)	0.011 ohm	CCN1341
L 8204	(B,132,15)	Ferrite Bead	CTF1528	R 7077	(B,30,72)		RS1/16SS1103D
L 8205	(B,69,22)	Ferrite Bead	CTF1528	R 7078	(B,26,69)		RS1/16SS562J
L 8401	(B,104,30)	Coil(A,B,C,D)	CTH1554	R 7079	(B,28,68)		RS1/16SS0R0J
L 8401	(B,104,30)	Coil(E,F,G)	CTF1731	R 7082	(B,30,69)		RS1/16SS0R0J
L 8402	(B,102,30)	Coil(A,B,C,D)	CTH1554	R 7086	(A,9,74)		RS1/16SS102J
L 8402	(B,102,30)	Coil(E,F,G)	CTF1731	R 7087	(A,8,75)		RS1/16SS102J
L 8403	(B,101,30)	Coil(A,B,C,D)	CTH1554	R 7088	(A,10,81)		RS1/16SS103J
L 8403	(B,101,30)	Coil(E,F,G)	CTF1731	R 7091	(B,24,72)		RS1/16SS0R0J
L 8404	(B,99,30)	Coil(A,B,C,D)	CTH1554	R 7092	(A,70,85)		RS1/16SS683J
L 8404	(B,99,30)	Coil(E,F,G)	CTF1731	R 7093	(A,69,88)		RS1/16SS683J
L 8405	(B,97,30)	Coil	CTH1554	R 7094	(A,63,87)		RS1/10SR103J
L 8501	(B,140,97)	Choke Coil 90 ohm	CTH1319	R 7098	(A,8,80)		RS1/16SS103J
L 8502	(B,137,97)	Choke Coil 90 ohm	CTH1319	R 7099	(B,61,115)	(A,B)	RS1/4SA0R0J
X 7701	(A,34,42)	Resonator 12.288 MHz	CSS1811	R 7101	(B,49,55)		RS1/16SS0R0J
X 7901	(A,86,74)	Resonator 32.000 MHz	CSS1818	R 7102	(B,53,55)		RS1/16SS0R0J
X 8001	(B,104,73)	Resonator 27.000 MHz(Except D,G)	CSS1768	R 7103	(B,56,76)		RS1/16SS0R0J
P 7001	(B,62,121)	Poly Switch(A,B)	MINISMDC150F/24	R 7104	(B,57,78)		RS1/16SS1502D
CN7001	(A,51,114)	Connector	CKS4977	R 7105	(B,58,77)		RS1/16SS4303D
CN7301	(B,99,38)	B TO B Connector	CKS6547	R 7106	(B,58,75)		RS1/16SS8202D
CN7302	(B,136,38)	B TO B Connector	CKS6549	R 7107	(B,56,55)		RS1/16SS104J
CN7701	(B,20,20)	B TO B Connector	CKS6346	R 7109	(B,56,65)		RS1/16SS0R0J
CN7851	(B,39,94)	Connector(G)	CKS5856	R 7110	(B,57,64)		RS1/16SS1802D
CN8101	(B,161,81)	Connector	CKS6599	R 7111	(B,58,64)		RS1/16SS4703D
CN8201	(B,65,11)	FFC/FPC Connector	CKS6646	R 7112	(B,58,66)		RS1/16SS1503D
CN8202	(B,83,117)	Plug	CKM1599	R 7113	(B,60,75)		RS1/16SS562J
CN8203	(B,147,9)	FFC/FPC Connector	CKS6646	R 7114	(B,56,56)		RS1/16SS0R0J
CN8204	(B,66,94)	Connector	CKS6007	R 7115	(B,59,72)		RS1/10SR0R0J
CN8401	(B,109,14)	FFC/FPC Connector	CKS6646	R 7116	(B,60,66)		RS1/16SS392J
CN8502	(B,58,127)	Connector(Except F,G)	CKS6603	R 7117	(B,59,74)		RS1/10SR0R0J
JA7501	(A,103,21)	Connector	CKS6282	R 7118	(B,58,69)		RS1/10SR0R0J
JA7502	(A,155,32)	Connector	CKS6438	R 7119	(B,58,68)		RS1/10SR0R0J
JA8001	(B,125,109)	Connector(Except D,G)	CKS6560	R 7120	(B,55,57)		RS1/10SR334J
JA8102	(B,164,123)	Connector	CKS5702	R 7121	(B,58,57)		RS1/10SR274J
JA8501	(B,147,116)	Connector	DKN1417	R 7122	(B,57,71)		RS1/16SS104J
JA8502	(B,41,127)	Connector(A,B)	CKS6495	R 7123	(B,45,75)		RS1/10SR120J
JA8503	(B,10,127)	Jack	CKN1040	R 7124	(B,46,63)		RS1/10SR100J
JA8601	(B,38,10)	Connector BT Module	CKS6437 CWX4710	R 7125	(B,44,74)		RS1/10SR2R2J
				R 7128	(A,58,78)	15 mohm	CCN1328
				R 7129	(A,59,78)	15 mohm	CCN1328
				R 7130	(A,59,62)	12 mohm	CCN1321
				R 7131	(A,58,62)	12 mohm	CCN1321
				R 7132	(A,61,72)		RS1/4SA0R0J

RESISTORS

	1	2	3	4
	<u>Circuit Symbol and No.</u>	<u>Part No.</u>	<u>Circuit Symbol and No.</u>	<u>Part No.</u>
	R 7133 (A,61,69)	RS1/4SA0R0J	R 7338 (B,130,29)	RS1/16SS0R0J
	R 7134 (B,56,64)	RS1/16SS0R0J	R 7340 (B,130,26)	RS1/16SS0R0J
	R 7135 (B,49,65)	RS1/16SS6R8J	R 7341 (B,136,45)	RS1/16SS0R0J
A	R 7136 (B,48,76)	RS1/16SS6R8J	R 7342 (B,131,27)	RS1/16SS0R0J
	R 7202 (A,142,69)	RS1/16SS222J	R 7343 (B,137,44)	RS1/16SS0R0J
	R 7203 (A,141,70)	RS1/16SS222J	R 7344 (B,133,31)	RS1/16SS0R0J
	R 7206 (A,143,71)	RS1/16SS222J	R 7345 (B,137,45)	RS1/16SS0R0J
	R 7207 (A,143,73)	RS1/16SS222J	R 7350 (B,129,27)	RS1/16SS0R0J
	R 7211 (B,86,92)	RS1/8SQ0R0J	R 7356 (B,95,32)	RS1/16SS0R0J
	R 7212 (B,91,111)	RS1/8SQ0R0J	R 7357 (B,129,29)	RS1/16SS0R0J
	R 7213 (A,102,99)	RS1/16SS102J	R 7362 (B,110,30) (Except F,G)	RS1/16SS0R0J
	R 7214 (A,94,78)	RS1/16SS102J	R 7364 (B,109,32) (Except F,G)	RS1/16SS0R0J
	R 7215 (A,102,98)	RS1/16SS102J	R 7376 (B,117,43)	RS1/10SR0R0J
	R 7216 (A,94,77)	RS1/16SS102J	R 7385 (B,112,27)	RS1/16SS0R0J
B	R 7217 (A,102,97)	RS1/16SS102J	R 7386 (B,83,32)	RS1/16SS0R0J
	R 7218 (A,93,101)	RS1/16SS152J	R 7387 (B,106,32)	RS1/16SS0R0J
	R 7219 (A,94,76)	RS1/16SS102J	R 7388 (B,86,32)	RS1/16SS0R0J
	R 7220 (A,87,80)	RS1/16SS152J	R 7389 (B,109,29)	RS1/16SS0R0J
	R 7221 (A,102,96)	RS1/16SS102J	R 7390 (B,84,31)	RS1/16SS0R0J
	R 7222 (A,94,75)	RS1/16SS102J	R 7391 (B,107,32)	RS1/16SS0R0J
	R 7224 (A,93,102)	RS1/16SS3002D	R 7392 (B,87,31)	RS1/16SS101J
	R 7225 (A,91,102)	RS1/16SS2701D	R 7393 (B,93,45)	RS1/16SS0R0J
	R 7227 (A,88,104)	RS1/16SS8201D	R 7394 (B,86,30)	RS1/16SS0R0J
	R 7229 (A,87,81)	RS1/16SS3002D	R 7397 (B,128,32)	RS1/16SS0R0J
C	R 7230 (A,85,81)	RS1/16SS2701D	R 7398 (B,92,31)	RS1/16SS0R0J
	R 7232 (A,83,84)	RS1/16SS8201D	R 7399 (B,129,32)	RS1/16SS0R0J
	R 7233 (A,94,113)	RS1/16SS0R0J	R 7400 (B,91,31)	RS1/16SS0R0J
	R 7234 (A,88,92)	RS1/16SS0R0J	R 7401 (B,90,31)	RS1/16SS0R0J
	R 7235 (A,90,103)	RS1/16SS752J	R 7403 (B,91,43)	RS1/16SS0R0J
	R 7236 (A,84,82)	RS1/16SS103J	R 7405 (B,92,45)	RS1/16SS0R0J
	R 7237 (B,107,103) 0.047 ohm	CCN1167	R 7407 (B,130,32)	RS1/16SS0R0J
	R 7238 (B,101,83) 0.047 ohm	CCN1167	R 7408 (B,93,43)	RS1/16SS0R0J
	R 7245 (A,103,104)	RS1/16SS1001D	R 7415 (B,93,32) (Except F,G)	RS1/16SS0R0J
	R 7246 (A,97,84)	RS1/16SS0R0J	R 7416 (B,94,32) (Except F,G)	RS1/16SS0R0J
	R 7247 (A,102,101)	RS1/16SS224J	R 7419 (B,140,47)	RS1/16SS0R0J
D	R 7248 (A,96,81)	RS1/16SS224J	R 7420 (B,139,44)	RS1/16SS0R0J
	R 7249 (A,104,104)	RS1/16SS1202D	R 7425 (B,141,44) (A,B)	RS1/16SS221J
	R 7250 (A,98,84)	RS1/16SS2202D	R 7426 (B,142,44) (A,B)	RS1/16SS221J
	R 7251 (A,104,103)	RS1/16SS104J	R 7428 (B,143,43) (A,B)	RS1/16SS0R0J
	R 7252 (A,98,82)	RS1/16SS104J	R 7430 (B,143,45) (A,B)	RS1/16SS221J
	R 7253 (A,111,103)	RS1/16SS0R0J	R 7433 (B,145,45)	RS1/16SS0R0J
	R 7254 (A,105,83)	RS1/16SS0R0J	R 7435 (B,146,46)	RS1/16SS0R0J
	R 7302 (A,126,43)	RS1/10SR0R0J	R 7437 (B,148,46)	CTF1645
	R 7303 (A,123,42)	RS1/10SR0R0J	R 7439 (B,118,31)	RS1/16SS103J
	R 7306 (B,125,43)	RS1/16SS0R0J	R 7440 (B,150,44)	RS1/16SS0R0J
	R 7307 (B,90,48)	RS1/10SR0R0J	R 7441 (B,150,43)	RS1/16SS0R0J
E	R 7308 (B,126,45)	RS1/16SS0R0J	R 7442 (B,119,32)	RS1/16SS0R0J
	R 7309 (B,91,45)	RS1/16SS0R0J	R 7443 (B,126,31)	RS1/16SS0R0J
	R 7310 (B,126,43)	RS1/16SS0R0J	R 7444 (B,125,30)	RS1/16SS0R0J
	R 7311 (B,127,45)	RS1/16SS0R0J	R 7445 (B,124,30)	RS1/16SS0R0J
	R 7315 (B,128,45)	RS1/16SS0R0J	R 7446 (B,123,30)	RS1/16SS0R0J
	R 7317 (B,129,43)	RS1/16SS0R0J	R 7447 (B,121,30)	RS1/16SS0R0J
	R 7323 (B,129,45) (Except D,G)	RS1/16SS0R0J	R 7448 (B,121,31)	RS1/16SS0R0J
	R 7325 (B,130,43) (Except D,G)	RS1/16SS0R0J	R 7449 (B,120,30)	RS1/16SS0R0J
	R 7327 (B,131,47) (Except D,G)	RS1/16SS0R0J	R 7456 (B,82,29)	RS1/16SS103J
	R 7329 (B,131,43) (Except D,G)	RS1/16SS0R0J	R 7457 (B,112,29)	RS1/16SS103J
F	R 7330 (B,131,45) (Except D,G)	RS1/16SS0R0J	R 7458 (B,113,30)	RS1/16SS103J
	R 7331 (B,133,43)	RS1/16SS0R0J	R 7459 (B,114,30)	RS1/16SS103J
	R 7333 (B,132,43)	RS1/16SS0R0J	R 7460 (B,115,31)	RS1/16SS103J
	R 7335 (B,132,32)	RS1/16SS0R0J	R 7461 (B,116,31)	RS1/16SS103J

5		6		7		8	
<u>Circuit Symbol and No.</u>		<u>Part No.</u>		<u>Circuit Symbol and No.</u>		<u>Part No.</u>	
R 7463	(B,149,45)	RS1/16SS0R0J		R 7623	(B,143,19)	RS1/16SS821J	
R 7470	(B,111,31)	RS1/16SS0R0J		R 7624	(B,147,19)	RS1/16SS821J	
R 7480	(B,55,112) (G)	RS1/16SS0R0J		R 7625	(B,149,51)	RS1/16SS821J	
R 7481	(B,53,110) (G)	RS1/16SS0R0J		R 7626	(B,149,56)	RS1/16SS821J	A
R 7482	(B,53,113) (A,B)	RS1/16SS0R0J		R 7628	(B,161,22)	RS1/16SS0R0J	
R 7483	(B,53,111) (A,B)	RS1/16SS0R0J		R 7631	(B,144,18)	RS1/16SS0R0J	
R 7484	(B,127,24)	RS1/16SS104J		R 7634	(B,150,54)	RS1/16SS0R0J	
R 7485	(B,94,29) (Except F,G)	RS1/16SS473J		R 7639	(B,136,31)	RS1/16SS0R0J	
R 7487	(A,137,29) (G)	RS1/16SS473J		R 7640	(B,157,21)	RS1/16SS0R0J	
R 7503	(B,125,27)	RS1/16SS103J		R 7702	(B,28,51)	RS1/16SS103J	
R 7504	(B,124,27)	RS1/16SS103J		R 7703	(B,27,50)	RS1/16SS103J	
R 7505	(B,121,27)	RS1/16SS103J		R 7704	(A,36,40)	RS1/16SS222J	
R 7506	(B,120,27)	RS1/16SS103J		R 7707	(A,5,114)	RS1/16SS0R0J	
R 7507	(B,119,27)	RS1/16SS103J		R 7708	(B,28,22)	RS1/16SS101J	
R 7515	(A,119,32)	RS1/16SS0R0J		R 7709	(B,21,28)	RS1/10SR0R0J	B
R 7516	(A,120,30)	RS1/16SS0R0J		R 7710	(B,29,25)	RS1/16SS101J	
R 7517	(A,121,30)	RS1/16SS0R0J		R 7712	(B,16,25)	RS1/16SS0R0J	
R 7518	(A,123,30)	RS1/16SS0R0J		R 7713	(B,17,25)	RS1/16SS0R0J	
R 7519	(A,124,30)	RS1/16SS0R0J		R 7714	(B,26,40)	RS1/16SS102J	
R 7520	(A,125,30)	RS1/16SS0R0J		R 7715	(B,26,33)	RS1/16SS0R0J	
R 7521	(A,126,29)	RS1/16SS0R0J		R 7716	(B,49,33)	RS1/16SS103J	
R 7522	(A,114,39)	RS1/16SS680J		R 7717	(B,13,14)	RS1/16SS102J	
R 7523	(A,95,39)	RS1/16SS680J		R 7718	(B,12,14)	RS1/16SS102J	
R 7524	(A,91,39)	RS1/16SS330J		R 7719	(B,49,40)	RS1/16SS103J	
R 7525	(B,163,46)	RS1/16SS680J		R 7724	(B,49,39)	RS1/16SS103J	C
R 7526	(B,158,46)	RS1/16SS680J		R 7728	(A,33,38)	RS1/16SS0R0J	
R 7527	(A,146,48)	RS1/16SS680J		R 7729	(B,13,23)	RS1/16SS0R0J	
R 7528	(B,90,10)	RS1/16SS221J		R 7730	(B,52,42)	RS1/16SS222J	
R 7530	(B,89,14)	RS1/16SS330J		R 7734	(A,26,35)	RS1/16SS223J	
R 7531	(A,114,38)	RS1/16SS680J		R 7735	(A,26,36)	RS1/16SS223J	
R 7532	(A,107,39)	RS1/16SS680J		R 7737	(B,25,35)	RS1/16SS222J	
R 7533	(A,93,39)	RS1/16SS680J		R 7738	(B,23,35)	RS1/16SS332J	
R 7534	(B,161,46)	RS1/16SS680J		R 7739	(B,46,41)	RS1/16SS0R0J	
R 7535	(A,144,48)	RS1/16SS680J		R 7744	(A,26,33)	RS1/16SS223J	
R 7537	(B,162,47)	RS1/16SS103J		R 7745	(B,38,51)	RS1/16SS333J	
R 7538	(B,160,47)	RS1/16SS103J		R 7746	(B,37,50)	RS1/16SS473J	D
R 7539	(B,157,47)	RS1/16SS103J		R 7749	(B,28,48)	RS1/16SS101J	
R 7540	(A,145,50)	RS1/16SS103J		R 7756	(B,139,70)	RS1/16SS103J	
R 7541	(A,144,50)	RS1/16SS103J		R 7757	(B,137,64)	RS1/16SS220J	
R 7544	(A,141,50)	RS1/16SS0R0J		R 7758	(B,141,61)	RS1/16SS220J	
R 7545	(A,88,41)	RS1/16SS0R0J		R 7759	(A,34,35)	RS1/16SS0R0J	
R 7601	(B,153,27)	RS1/16SS221J		R 7760	(A,48,31)	RS1/16SS0R0J	
R 7603	(B,157,26)	RS1/16SS0R0J		R 7761	(A,55,41)	RS1/16SS0R0J	
R 7604	(B,152,28)	RS1/16SS102J		R 7762	(B,30,22)	RS1/16SS222J	
R 7605	(B,154,28)	RS1/16SS102J		R 7763	(A,51,31)	RS1/16SS0R0J	
R 7606	(B,150,28)	RS1/16SS102J		R 7764	(A,37,50)	RS1/16SS0R0J	
R 7607	(B,160,34)	RS1/16SS103J		R 7765	(A,50,36)	RS1/16SS101J	E
R 7609	(B,136,29)	RS1/16SS0R0J		R 7766	(B,52,39)	RS1/16SS471J	
R 7610	(B,141,30)	RS1/16SS330J		R 7767	(B,52,40)	RS1/16SS470J	
R 7611	(B,138,32)	RS1/16SS330J		R 7768	(B,52,37)	RS1/16SS470J	
R 7612	(B,145,28)	RS1/16SS330J		R 7769	(B,52,38)	RS1/16SS471J	
R 7613	(B,140,49)	RS1/16SS221J		R 7770	(B,52,41)	RS1/16SS470J	
R 7614	(B,135,48)	RS1/16SS0R0J		R 7774	(A,5,96)	RS1/16SS0R0J	
R 7615	(B,132,54)	RS1/16SS330J		R 7775	(B,26,43)	RS1/16SS0R0J	
R 7616	(B,132,52)	RS1/16SS330J		R 7776	(B,30,37)	RS1/16SS0R0J	
R 7617	(B,133,50)	RS1/16SS330J		R 7777	(A,27,37)	RS1/16SS0R0J	
R 7618	(B,138,31)	RS1/16SS103J		R 7778	(B,45,45)	RS1/16SS0R0J	F
R 7619	(B,135,59)	RS1/16SS103J		R 7780	(B,40,49)	RS1/16SS223J	
R 7621	(B,160,23)	RS1/16SS821J		R 7781	(B,50,47)	RS1/16SS223J	
R 7622	(B,163,23)	RS1/16SS821J		R 7782	(B,49,46)	RS1/16SS0R0J	

	1	2	3	4
	<u>Circuit Symbol and No.</u>	<u>Part No.</u>	<u>Circuit Symbol and No.</u>	<u>Part No.</u>
	R 7783 (B,52,50)	RS1/16SS472J	R 7881 (B,60,19) (Except G)	RS1/16SS0R0J
	R 7784 (B,50,49)	RS1/16SS163J	R 7882 (B,59,17) (Except G)	RS1/16SS0R0J
	R 7785 (A,49,50)	RS1/16SS101J	R 7885 (A,43,100) (G)	RS1/16SS473J
A	R 7786 (B,42,51)	RS1/16SS0R0J	R 7886 (A,55,99) (G)	RS1/16SS0R0J
	R 7787 (A,7,110)	RS1/16SS333J	R 7894 (B,39,102) (G)	RS1/16SS473J
	R 7789 (A,4,103)	RS1/16SS103J	R 7895 (A,47,99) (G)	RS1/16SS0R0J
	R 7791 (A,4,100)	RS1/16SS824J	R 7901 (B,76,73)	RS1/16SS151J
	R 7792 (A,7,100)	RS1/16SS563J	R 7902 (B,74,71)	RS1/16SS151J
	R 7793 (A,21,44)	RS1/16SS0R0J	R 7903 (B,73,64)	RS1/16SS151J
	R 7794 (A,11,105)	RS1/16SS0R0J	R 7907 (B,63,54)	RS1/16SS151J
	R 7795 (A,8,113)	RS1/16SS472J	R 7908 (B,65,54)	RS1/16SS151J
	R 7797 (B,42,47)	RS1/16SS153J	R 7909 (B,66,54)	RS1/16SS151J
	R 7798 (A,27,29)	RS1/16SS223J	R 7910 (A,66,56)	RS1/16SS151J
	R 7804 (A,26,31)	RS1/16SS0R0J	R 7911 (B,81,63)	RS1/4SA0R0J
B	R 7805 (A,12,109)	RS1/16SS102J	R 7912 (B,81,61)	RS1/4SA0R0J
	R 7806 (A,11,113)	RS1/16SS102J	R 7913 (B,81,59)	RS1/4SA0R0J
	R 7811 (B,9,25)	RS1/16SS0R0J	R 7916 (B,79,73)	RS1/16SS1500D
	R 7814 (B,44,39)	RS1/16SS0R0J	R 7917 (B,76,69) (G)	RS1/16SS271J
	R 7820 (A,14,28)	RS1/16SS0R0J	R 7918 (B,75,83)	RS1/16SS0R0J
	R 7821 (A,45,53)	RS1/16SS0R0J	R 7919 (B,79,67)	RS1/16SS1500D
	R 7822 (B,26,41)	RS1/16SS0R0J	R 7920 (B,82,69)	RS1/16SS472J
	R 7823 (B,38,48)	RS1/16SS273J	R 7921 (B,82,55)	RS1/16SS473J
	R 7826 (B,34,48)	RS1/16SS0R0J	R 7923 (B,82,67)	RS1/16SS101J
	R 7827 (A,41,53)	RS1/16SS0R0J	R 7924 (B,83,67)	RS1/16SS101J
C	R 7832 (A,48,22)	RS1/10SR0R0J	R 7925 (A,84,71)	RS1/16SS821J
	R 7833 (A,45,29)	RS1/10SR0R0J	R 7926 (A,84,69)	RS1/16SS105J
	R 7834 (B,40,47)	RS1/16SS223J	R 7927 (B,74,95)	RS1/16SS104J
	R 7835 (A,58,7) (G)	RS1/16SS271J	R 7928 (B,73,79)	RS1/10SR0R0J
	R 7836 (B,14,26)	RS1/16SS0R0J	R 7929 (B,70,90)	RS1/16SS104J
	R 7838 (B,11,25)	RS1/10SR0R0J	R 7930 (A,92,68)	RS1/16SS221J
	R 7839 (B,11,22)	RS1/10SR0R0J	R 7932 (B,70,65)	RS1/16SS0R0J
	R 7847 (B,29,96) (G)	RS1/16SS750J	R 7933 (B,72,74)	RS1/16SS104J
	R 7849 (B,56,27) (G)	RS1/16SS0R0J	R 7942 (B,58,51)	RS1/16SS273J
	R 7850 (B,56,26) (G)	RS1/16SS0R0J	R 7943 (B,58,50)	RS1/16SS273J
	R 7851 (A,73,96) (G)	RS1/16SS273J	R 7945 (A,90,69)	RS1/16SS103J
D	R 7852 (A,73,94) (G)	RS1/16SS273J	R 7951 (A,90,71)	RS1/16SS101J
	R 7853 (A,60,91) (G)	RS1/16SS0R0J	R 7955 (A,98,62)	RS1/16SS104J
	R 7854 (A,54,8) (G)	RS1/16SS273J	R 7956 (A,99,59)	RAB4CQ151J
	R 7855 (A,56,8) (G)	RS1/16SS273J	R 7957 (A,99,57)	RAB4CQ151J
	R 7856 (B,41,102) (G)	RS1/16SS0R0J	R 7958 (A,90,60)	RAB4CQ391J
	R 7857 (B,39,105) (G)	RS1/16SS0R0J	R 7959 (A,90,57)	RAB4CQ391J
	R 7858 (A,44,100) (G)	RS1/16SS0R0J	R 7968 (A,98,61)	RS1/16SS221J
	R 7859 (A,46,99) (G)	RS1/16SS471J	R 7977 (A,98,65)	RS1/16SS151J
	R 7861 (B,31,95) (G)	RS1/16SS0R0J	R 7982 (B,62,46)	RS1/16SS101J
	R 7862 (A,30,96) (G)	RS1/16SS0R0J	R 7983 (B,66,46)	RS1/16SS101J
	R 7863 (B,43,110) (G)	RS1/16SS0R0J	R 7984 (A,66,47)	RS1/16SS101J
E	R 7864 (B,44,110) (G)	RS1/16SS0R0J	R 7985 (A,62,47)	RS1/16SS101J
	R 7865 (B,45,110) (G)	RS1/16SS0R0J	R 7986 (B,63,34)	RS1/16SS75R0D
	R 7866 (A,60,27) (G)	RS1/16SS2200D	R 7987 (B,66,34)	RS1/16SS75R0D
	R 7867 (A,57,6) (G)	RS1/16SS0R0J	R 7988 (A,65,35)	RS1/16SS75R0D
	R 7868 (B,57,86) (G)	RS1/10SR0R0J	R 7989 (A,61,35)	RS1/16SS75R0D
	R 7869 (B,48,88) (G)	RS1/16SS121J	R 7991 (B,57,25)	RS1/16SS0R0J
	R 7870 (A,60,94) (G)	RS1/16SS0R0J	R 7992 (B,57,46)	RS1/16SS0R0J
	R 7871 (A,46,92) (G)	RS1/10SR0R0J	R 7993 (B,78,72) (G)	RS1/16SS0R0J
	R 7873 (A,61,6) (G)	RS1/16SS0R0J	R 7994 (B,76,68) (Except G)	RS1/16SS0R0J
	R 7874 (A,65,12) (G)	RS1/16SS0R0J	R 7995 (A,89,66)	RS1/16SS270J
F	R 7875 (A,65,11) (G)	RS1/16SS473J	R 8001 (B,116,103) (Except D,G)	RS1/16SS0R0J
	R 7877 (A,60,10) (G)	RS1/16SS0R0J	R 8002 (B,118,103) (Except D,G)	RS1/16SS0R0J
	R 7878 (A,60,13) (G)	RS1/16SS0R0J	R 8003 (B,119,101) (Except D,G)	RS1/16SS151J
	R 7879 (A,60,12) (G)	RS1/16SS0R0J	R 8004 (B,117,100) (Except D,G)	RS1/16SS151J

5			6	7			8
<u>Circuit Symbol and No.</u>			<u>Part No.</u>	<u>Circuit Symbol and No.</u>			<u>Part No.</u>
R 8006	(A,117,93)	(Except D,G)	RS1/16SS103J	R 8136	(A,151,76)		RS1/16SS3302D
R 8007	(A,117,92)	(Except D,G)	RS1/16SS102J	R 8137	(A,155,80)		RS1/16SS102J
R 8008	(B,115,103)	(Except D,G)	RS1/16SS102J	R 8138	(B,145,86)		RS1/16SS103J
R 8009	(B,114,98)	(Except D,G)	RS1/16SS473J	R 8139	(A,151,78)		RS1/16SS103J
R 8010	(B,114,99)	(Except D,G)	RS1/16SS473J	R 8140	(A,150,80)		RS1/10SR0R0J
R 8011	(A,108,81)	(Except D,G)	RS1/16SS223J	R 8141	(A,155,79)		RS1/16SS102J
R 8012	(A,108,79)	(Except D,G)	RS1/16SS433J	R 8142	(A,159,83)		RS1/16SS0R0J
R 8013	(A,121,57)	(Except D,G)	RS1/16SS0R0J	R 8143	(A,166,79)		RS1/16SS473J
R 8014	(A,116,56)	(Except D,G)	RS1/16SS0R0J	R 8144	(A,166,78)		RS1/16SS473J
R 8015	(B,120,70)	(Except D,G)	RS1/16SS0R0J	R 8145	(A,166,77)		RS1/16SS473J
R 8016	(A,121,53)	(Except D,G)	RS1/16SS0R0J	R 8146	(B,148,75)		RS1/10SR0R0J
R 8017	(A,113,79)	(Except D,G)	RS1/16SS273J	R 8148	(A,155,81)		RS1/16SS102J
R 8018	(B,106,70)	(Except D,G)	RS1/16SS102J	R 8149	(A,155,78)		RS1/16SS102J
R 8019	(B,120,69)	(Except D,G)	RS1/16SS271J	R 8150	(B,151,85)		RS1/16SS0R0J
R 8021	(B,120,68)	(Except D,G)	RS1/16SS0R0J	R 8201	(B,75,22)		RS1/16SS0R0J
R 8022	(B,106,68)	(Except D,G)	RS1/16SS105J	R 8202	(B,140,15)		RS1/16SS0R0J
R 8024	(A,118,67)	(Except D,G)	RS1/16SS333J	R 8203	(B,74,23)		RS1/16SS0R0J
R 8025	(A,119,67)	(Except D,G)	RS1/16SS333J	R 8205	(B,73,22)		RS1/16SS0R0J
R 8026	(B,122,67)	(Except D,G)	RS1/16SS330J	R 8209	(B,88,125)		RS1/10SR0R0J
R 8027	(A,117,62)	(Except D,G)	RS1/16SS333J	R 8210	(B,77,123)		RS1/10SR0R0J
R 8028	(A,118,64)	(Except D,G)	RS1/16SS333J	R 8216	(B,72,16)		RS1/16SS0R0J
R 8029	(B,122,65)	(Except D,G)	RS1/16SS330J	R 8218	(B,71,19)		RS1/16SS0R0J
R 8031	(A,108,60)	(Except D,G)	RS1/16SS103J	R 8220	(B,70,16)		RS1/16SS0R0J
R 8032	(A,107,62)	(Except D,G)	RS1/16SS0R0J	R 8222	(B,68,19)		RS1/16SS0R0J
R 8033	(B,122,64)	(Except D,G)	RS1/16SS330J	R 8223	(B,68,17)		RS1/16SS0R0J
R 8035	(B,120,63)	(Except D,G)	RS1/16SS0R0J	R 8227	(B,66,16)		RS1/16SS0R0J
R 8036	(A,105,62)	(Except D,G)	RS1/16SS472J	R 8228	(B,65,18)		RS1/16SS0R0J
R 8037	(B,122,62)	(Except D,G)	RS1/16SS101J	R 8229	(B,65,16)		RS1/16SS0R0J
R 8038	(A,124,52)	(Except D,G)	RS1/16SS473J	R 8231	(B,64,18)		RS1/16SS0R0J
R 8040	(A,123,52)	(Except D,G)	RS1/16SS473J	R 8232	(B,64,16)		RS1/16SS0R0J
R 8041	(A,125,52)	(Except D,G)	RS1/16SS473J	R 8233	(B,63,18)		RS1/16SS0R0J
R 8042	(B,106,62)	(Except D,G)	RAB4CQ220J	R 8235	(B,62,16)		RS1/16SS0R0J
R 8043	(B,106,59)	(Except D,G)	RAB4CQ220J	R 8236	(B,62,18)		RS1/16SS0R0J
R 8044	(B,111,57)	(Except D,G)	RAB4CQ220J	R 8237	(B,61,16)		RS1/16SS0R0J
R 8045	(B,114,57)	(Except D,G)	RAB4CQ220J	R 8241	(B,59,19)		RS1/16SS0R0J
R 8046	(A,121,75)	(Except D,G)	RS1/16SS472J	R 8242	(B,58,17)		RS1/16SS0R0J
R 8052	(B,104,65)	(Except D,G)	RS1/16SS100J	R 8243	(B,57,20) (Except D,G)		RS1/16SS0R0J
R 8057	(A,128,74)	(Except D,G)	RS1/16SS821J	R 8244	(B,56,18) (Except D,G)		RS1/16SS0R0J
R 8058	(A,128,73)	(Except D,G)	RS1/16SS0R0J	R 8245	(B,56,20) (Except D)		RS1/16SS0R0J
R 8059	(A,128,71)	(Except D,G)	RS1/16SS821J	R 8249	(B,53,22) (A,B,G)		RS1/16SS0R0J
R 8061	(B,121,58)	(Except D,G)	RAB4CQ221J	R 8250	(B,52,20) (A,B,G)		RS1/16SS0R0J
R 8065	(B,123,72)	(Except D,G)	RS1/16SS0R0J	R 8251	(B,51,22) (A,B,G)		RS1/16SS0R0J
R 8066	(B,127,68)	(Except D,G)	RS1/16SS0R0J	R 8254	(B,50,19) (A,B)		RS1/16SS0R0J
R 8070	(A,117,71)	(Except D,G)	RS1/16SS222J	R 8255	(B,49,19) (A,B)		RS1/16SS0R0J
R 8071	(A,112,79)	(Except D,G)	RS1/16SS0R0J	R 8304	(B,156,15)		RS1/16SS471J
R 8114	(A,143,86)		RS1/16SS10R0D	R 8305	(B,155,17)		RS1/16SS471J
R 8115	(A,140,80)		RS1/16SS1501D	R 8306	(B,155,15)		RS1/16SS0R0J
R 8116	(A,140,78)		RS1/16SS2402D	R 8307	(B,164,18)		RS1/16SS0R0J
R 8117	(A,140,76)		RS1/16SS3302D	R 8308	(B,163,18)		RS1/16SS0R0J
R 8119	(B,143,81)		RS1/16SS4702D	R 8309	(B,161,17)		RS1/16SS0R0J
R 8120	(A,141,76)		RS1/16SS4702D	R 8310	(B,160,17)		RS1/16SS0R0J
R 8121	(A,141,80)		RS1/16SS432J	R 8311	(B,159,18)		RS1/16SS0R0J
R 8127	(B,152,79)		RS1/16SS471J	R 8312	(B,158,18)		RS1/16SS0R0J
R 8128	(B,152,80)		RS1/16SS0R0J	R 8313	(B,158,17)		RS1/16SS0R0J
R 8129	(B,155,82)		RS1/16SS0R0J	R 8314	(B,157,17)		RS1/16SS0R0J
R 8130	(B,155,83)		RS1/16SS0R0J	R 8315	(B,154,18)		RS1/16SS102J
R 8132	(A,156,76)		RS1/16SS0R0J	R 8316	(B,153,17)		RS1/16SS102J
R 8133	(A,155,76)		RS1/16SS0R0J	R 8317	(B,153,15)		RS1/16SS102J
R 8134	(A,154,76)		RS1/16SS1002D	R 8322	(B,151,17)		RS1/16SS0R0J
R 8135	(A,152,77)		RS1/16SS2202D	R 8323	(B,150,15)		RS1/16SS0R0J

1

2

3

4

Circuit Symbol and No.**Part No.****Circuit Symbol and No.****Part No.**

R 8326 (B,149,14) (Except F,G)
 R 8333 (B,146,16)
 R 8334 (B,145,16)
 R 8336 (B,144,15)

RS1/16SS0R0J
 RS1/16SS0R0J
 RS1/16SS0R0J
 RS1/16SS0R0J

R 8548 (B,48,118) (A,B)
 R 8549 (B,33,118) (A,B)
 R 8550 (B,47,118) (A,B)
 R 8551 (B,42,118) (A,B)

VTL1133
 VTL1133
 VTL1133
 VTL1133

R 8337 (B,143,16)
 R 8340 (B,141,16)
 R 8341 (B,138,16)
 R 8342 (B,69,98)
 R 8343 (B,68,98)

RS1/16SS0R0J
 RS1/16SS0R0J
 RS1/16SS0R0J
 RS1/16SS0R0J
 RS1/16SS0R0J

R 8552 (B,40,118) (A,B)
 R 8553 (B,37,118) (A,B)
 R 8565 (A,6,116)
 R 8566 (A,10,116)
 R 8581 (A,140,90)

VTL1133
 VTL1133
 VTL1134
 RS1/16SS0R0J
 RS1/16SS103J

R 8344 (B,67,98)
 R 8345 (B,66,98)
 R 8346 (B,65,98)
 R 8347 (B,64,98)
 R 8360 (B,130,13)

RS1/16SS0R0J
 RS1/16SS0R0J
 RS1/16SS0R0J
 RS1/16SS0R0J
 RS1/16SS0R0J

R 8582 (A,142,94)
 R 8585 (B,54,123) (Except F,G)
 R 8586 (B,57,123) (Except F,G)
 R 8603 (A,10,5)
 R 8604 (A,32,13)

RS1/16SS103J
 RS1/16SS102J
 RS1/16SS102J
 RS1/16SS0R0J
 RS1/16SS0R0J

R 8401 (B,128,15)
 R 8402 (B,130,16)
 R 8403 (B,129,14)
 R 8404 (B,122,20)
 R 8408 (B,122,22)

RS1/16SS0R0J
 RS1/16SS0R0J
 RS1/16SS0R0J
 RS1/16SS0R0J
 RS1/16SS0R0J

R 8608 (A,16,8)
 R 8613 (A,16,10)
 R 8614 (A,21,5)
 R 8616 (A,28,7)
 R 8617 (A,28,6)

RS1/16SS273J
 RS1/16SS473J
 RS1/16SS621J
 RS1/16SS222J
 RS1/16SS0R0J

R 8414 (B,118,25)
 R 8415 (B,117,23)
 R 8416 (B,117,28)
 R 8417 (B,116,20)
 R 8418 (B,116,23)

RS1/16SS0R0J
 RS1/16SS0R0J
 RS1/16SS0R0J
 RS1/16SS0R0J
 RS1/16SS0R0J

R 8618 (A,25,9)
 R 8619 (A,15,11)
 R 8620 (A,47,15)
 R 8626 (A,31,8)
 R 8627 (A,31,20)

RS1/16SS104J
 RS1/16SS104J
 RS1/16SS0R0J
 RS1/16SS0R0J
 RS1/16SS0R0J

R 8419 (B,115,25)
 R 8420 (B,114,20)
 R 8421 (B,114,22)
 R 8422 (B,114,24)
 R 8423 (B,113,25)

RS1/16SS0R0J
 RS1/16SS0R0J
 RS1/16SS0R0J
 RS1/16SS0R0J
 RS1/16SS0R0J

R 8702 (A,127,93) (A,C,E)
 R 8703 (A,127,91) (B,D,F,G)
 R 8709 (A,135,95) (A,B)
 R 8710 (A,135,93) (C,D)
 R 8711 (A,135,91) (E)

RS1/16SS0R0J
 RS1/16SS0R0J
 RS1/16SS0R0J
 RS1/16SS0R0J
 RS1/16SS0R0J

R 8446 (B,100,22)
 R 8447 (B,99,23)
 R 8449 (B,98,24) (A,C,E)
 R 8451 (B,97,23)
 R 8452 (B,96,23)

RS1/16SS0R0J
 RS1/16SS0R0J
 RS1/16SS0R0J
 RS1/16SS0R0J
 RS1/16SS0R0J

R 8802 (B,22,124) (G)
 R 8803 (A,87,78)

RS1/4SA0R0J
 RS1/10SR0R0J

CAPACITORS

R 8453 (B,93,24)
 R 8454 (B,94,21)
 R 8456 (B,120,22)
 R 8458 (B,101,21)
 R 8460 (B,93,20)

RS1/16SS0R0J
 RS1/16SS0R0J
 RS1/8SQ0R0J
 RS1/8SQ0R0J
 RS1/8SQ0R0J

C 7006 (A,72,108)
 C 7013 (B,70,117)
 C 7014 (B,51,118) (A,B)
 C 7017 (B,144,74) 4.7 uF
 C 7018 (A,8,35)

CKSQYB334K50
 CEVW220M16
 CKSRYB104K50
 CCG1212
 CKSRYB105K10

R 8462 (B,89,31) (A,C,E)
 R 8501 (A,139,94)
 R 8503 (A,138,94)
 R 8509 (A,15,87) (Except F,G)
 R 8510 (A,6,86) (Except F,G)

RS1/16SS0R0J
 RS1/16SS473J
 RS1/16SS472J
 RS1/16SS101J
 RS1/16SS103J

C 7021 (A,121,47) 4.7 uF(Except D,G)
 C 7022 (B,142,78)
 C 7023 (A,7,33) 4.7 uF
 C 7029 (A,117,51) 4.7 uF(Except D,G)
 C 7032 (A,85,44)

CCG1212
 CKSRYB105K10
 CCG1212
 CCG1212
 CKSRYB105K10

R 8511 (A,17,90) (Except F,G)
 R 8512 (B,143,90)
 R 8514 (A,4,90) (Except F,G)
 R 8517 (A,10,89) (Except F,G)
 R 8520 (A,43,105) (A,B)

RS1/16SS0R0J
 RS1/16SS0R0J
 RS1/16SS0R0J
 RS1/16SS104J
 RS1/16SS473J

C 7033 (A,80,44)
 C 7036 (A,111,44)
 C 7039 (A,111,45)
 C 7042 (A,16,35)
 C 7043 (A,119,44) (Except D,G)

CKSRYB105K10
 CKSRYB105K10
 CKSSYB473K16
 CKSSYB104K10
 CKSSYB104K10

R 8525 (A,33,111) (A,B)
 R 8526 (A,45,114) (A,B)
 R 8528 (A,38,107) (A,B)
 R 8529 (A,43,113) (A,B)
 R 8530 (A,46,114) (A,B)

RS1/16SS104J
 RS1/16SS471J
 RS1/16SS473J
 RS1/16SS223J
 RS1/16SS223J

C 7045 (B,27,69)
 C 7046 (A,31,71) 10 uF/16 V
 C 7047 (A,31,72) 10 uF/16 V
 C 7048 (A,31,74) 10 uF/16 V
 C 7049 (A,31,76)

CCSSCH561J50
 DCH1263
 DCH1263
 DCH1263
 CKSSYB104K16

R 8533 (A,33,106) (A,B)
 R 8534 (A,43,114) (A,B)
 R 8535 (A,47,112) (A,B)
 R 8541 (A,35,113) (A,B)
 R 8542 (A,40,112) (A,B)

RS1/16SS331J
 RS1/16SS181J
 RS1/16SS181J
 RS1/10SR102J
 RS1/10SR102J

C 7052 (B,28,85)
 C 7053 (A,22,78) 10 uF
 C 7055 (B,25,72)
 C 7056 (B,26,71)
 C 7057 (B,31,72)

CKSSYB104K16
 CCG1236
 CKSSYB103K16
 CCSSCH8R0D50
 CKSSYB103K16

R 8547 (A,53,119) (A,B)

RS1/10SR0R0J

C 7058 (B,25,71)

CKSSYB152K50

1

2

3

4

5		6		7		8	
<u>Circuit Symbol and No.</u>		<u>Part No.</u>		<u>Circuit Symbol and No.</u>		<u>Part No.</u>	
C 7059	(B,26,72)	CKSRYB105K16		C 7301	(B,79,44) 22 uF	DCH1256	
C 7060	(A,22,76) 10 uF	CCG1236		C 7303	(A,124,38)	CKSSYB104K10	
C 7061	(A,22,74) 10 uF	CCG1236		C 7305	(B,85,47) 22 uF	DCH1256	
C 7074	(A,70,88)	CKSRYB105K10		C 7306	(A,127,40)	CKSSYB104K10	A
C 7078	(A,40,93) 2.2 uF	CCG1218		C 7501	(B,127,26)	CKSSYB104K10	
C 7081	(A,40,90)	CCG1320		C 7502	(B,86,13)	CKSSYB104K10	
C 7085	(B,136,75)	CKSSYB104K10		C 7503	(A,103,38) 10 uF	CCG1192	
C 7086	(A,67,85) 10 uF	CCG1192		C 7504	(A,155,49) 10 uF	CCG1192	
C 7101	(B,57,76)	CCSSCH150J50		C 7505	(A,103,37)	CKSSYB104K10	
C 7102	(B,59,75)	CCSSCH220J50		C 7506	(A,155,48)	CKSSYB104K10	
C 7103	(B,60,77)	CKSSYB152K50		C 7601	(B,164,35) 10 uF	CCG1192	
C 7104	(B,57,65)	CCSSCH150J50		C 7602	(B,146,23) 10 uF	CCG1192	
C 7105	(B,59,66)	CCSSCH220J50		C 7603	(B,141,59) 10 uF	CCG1192	
C 7106	(B,56,73)	CCSSCH102J50		C 7604	(B,164,33)	CKSSYB104K10	
C 7107	(B,60,65)	CKSSYB472K50		C 7605	(B,145,23)	CKSSYB104K10	B
C 7108	(B,56,68)	CCSSCH102J50		C 7606	(B,140,58)	CKSSYB104K10	
C 7109	(B,58,56)	CKSSYB103K16		C 7607	(B,166,24)	CKSSYB104K10	
C 7110	(B,51,76)	CKSSYB222K50		C 7608	(B,137,20)	CKSSYB104K10	
C 7111	(B,54,65)	CKSSYB153K16		C 7609	(B,142,49)	CKSSYB104K10	
C 7112	(B,47,71)	CKSRYB104K50		C 7610	(B,166,23) 10 uF	CCG1192	
C 7113	(B,45,77)	CKSRYB104K50		C 7611	(B,138,18) 10 uF	CCG1192	
C 7114	(B,46,62)	CKSRYB104K50		C 7612	(B,144,50) 10 uF	CCG1192	
C 7115	(B,45,70) 4.7 uF	CCG1201		C 7613	(B,160,22)	CKSSYB102K50	
C 7116	(A,39,75) 10 uF	CCG1236		C 7614	(B,163,22)	CKSSYB102K50	
C 7117	(A,40,66) 10 uF	CCG1236		C 7615	(B,143,18)	CKSSYB102K50	C
C 7121	(A,56,75) 47 uF	CCG1229		C 7616	(B,146,18)	CKSSYB102K50	
C 7122	(A,56,69) 47 uF	CCG1229		C 7617	(B,149,53)	CKSSYB102K50	
C 7124	(A,56,72) 47 uF	CCG1229		C 7618	(B,149,55)	CKSSYB102K50	
C 7125	(A,56,66) 47 uF	CCG1229		C 7701	(B,28,50)	CKSSYB471K50	
C 7201	(A,142,66)	CKSSYB104K10		C 7705	(B,25,26) 10 uF	CCG1192	
C 7202	(A,145,66)	CKSSYB104K10		C 7707	(A,23,41)	CCG1393	
C 7204	(A,146,70)	CKSSYB104K10		C 7708	(B,22,26) 10 uF	CCG1192	
C 7207	(B,88,87) 10 uF	CCG1236		C 7710	(B,23,24)	CKSSYB104K10	
C 7208	(B,88,89) 10 uF	CCG1236		C 7711	(B,27,22)	CKSSYB104K10	
C 7209	(B,94,109) 10 uF	CCG1236		C 7712	(A,35,38)	CKSSYB104K10	
C 7210	(B,94,107) 10 uF	CCG1236		C 7713	(A,36,36)	CKSSYB104K10	D
C 7211	(A,91,101)	CCSSCH471J50		C 7714	(A,19,28)	CKSRYB105K10	
C 7212	(A,85,80)	CCSSCH471J50		C 7715	(A,13,24)	CKSRYB105K10	
C 7213	(B,102,99)	CEVW101M16		C 7717	(A,46,34)	CKSSYB104K10	
C 7214	(B,94,78)	CEVW101M16		C 7723	(B,49,42) 2.2 uF	CCG1218	
C 7215	(A,91,103)	CCSSCH270J50		C 7724	(B,23,37) 10 uF	CCG1192	
C 7216	(A,86,83)	CCSSCH270J50		C 7727	(B,25,34)	CKSSYB104K10	
C 7217	(B,105,103)	CKSSYB104K10		C 7728	(B,26,39)	CKSRYB105K10	
C 7218	(B,99,82)	CKSSYB104K10		C 7730	(A,44,50)	CCG1393	
C 7219	(A,90,104)	CKSSYB222K50		C 7732	(B,38,49)	CKSSYB561K50	
C 7220	(A,84,83)	CCSSCH821J50		C 7733	(B,37,51)	CCSSCH680J50	
C 7221	(A,95,112)	CKSRYB104K50		C 7736	(B,148,69)	CKSQYB225K16	E
C 7222	(A,89,91)	CKSRYB104K50		C 7737	(B,149,66) 4.7 uF	CCG1201	
C 7223	(A,90,106)	CKSRYB105K10		C 7738	(B,147,65)	CKSSYB104K10	
C 7224	(A,84,85)	CKSRYB105K10		C 7739	(B,149,63) 10 uF	CCG1192	
C 7225	(B,103,104) 22 uF	CCG1254		C 7740	(B,26,32)	CKSSYB104K10	
C 7226	(B,97,84) 22 uF	CCG1254		C 7741	(B,146,61) 10 uF	CCG1192	
C 7229	(A,103,109)	CKSSYB104K16		C 7742	(B,153,66)	CKSSYB104K10	
C 7230	(A,103,106)	CKSSYB104K16		C 7743	(B,146,60)	CKSSYB104K10	
C 7231	(A,103,101)	CKSSYB102K50		C 7747	(A,43,48)	CKSSYB104K10	
C 7232	(A,101,101)	CKSSYB472K50		C 7748	(A,42,49) 2.2 uF	CCG1218	
C 7233	(A,97,89)	CKSSYB104K16		C 7749	(A,40,48)	CKSSYB104K10	F
C 7234	(A,97,86)	CKSSYB104K16		C 7751	(A,38,52) 10 uF	CCG1192	
C 7235	(A,97,81)	CKSSYB102K50		C 7752	(A,51,42)	CKSSYB104K10	
C 7236	(A,95,81)	CKSSYB472K50		C 7753	(B,41,49)	CCSSCH120J50	

	1	2	3	4
	<u>Circuit Symbol and No.</u>	<u>Part No.</u>	<u>Circuit Symbol and No.</u>	<u>Part No.</u>
	C 7758 (A,36,42)	CCSSCH120J50	C 7932 (B,73,56)	CKSRYB105K16
	C 7759 (A,35,39)	CCSSCH120J50	C 7933 (A,72,58)	CKSSYB104K10
	C 7761 (A,38,49)	CCG1393	C 7934 (A,73,58)	CCSSCH102J50
A	C 7762 (A,46,49)	CCG1393	C 7935 (A,67,58)	CKSRYB105K16
	C 7765 (B,51,46)	CKSRYB474K10	C 7936 (A,71,66) 10 uF	CCG1192
	C 7766 (B,51,48)	CCSSCH101J50	C 7937 (A,73,61)	CKSSYB474K6R3
	C 7767 (B,51,49)	CCSSCH680J50	C 7939 (A,77,69)	CKSSYB104K10
	C 7768 (B,41,51)	CKSSYB104K10	C 7940 (A,77,68)	CCSSCH102J50
	C 7769 (A,7,111)	CCSSCH101J50	C 7941 (A,77,54)	CKSSYB104K10
	C 7770 (A,8,112)	CCG1393	C 7942 (A,79,54)	CKSSYB104K10
	C 7771 (A,4,105)	CCG1393	C 7944 (B,80,70)	CKSRYB105K16
	C 7772 (A,4,101)	CCSSCH6R0D50	C 7945 (A,78,72) 10 uF	CCG1192
	C 7773 (A,6,100)	CCSSCH220J50	C 7946 (A,80,69)	CKSSYB104K10
	C 7774 (A,10,104)	CKSSYB104K10	C 7947 (A,81,54)	CKSSYB104K10
B	C 7775 (A,19,29)	CKSRYB105K10	C 7948 (A,81,70)	CKSSYB104K10
	C 7779 (A,25,31)	CKSSYB104K10	C 7949 (A,83,48) 10 uF	CCG1192
	C 7780 (A,11,108) 22 uF	DCH1256	C 7950 (A,82,68)	CKSSYB104K10
	C 7782 (A,48,48)	CCG1393	C 7951 (A,83,53)	CKSSYB104K10
	C 7783 (B,33,48)	CKSSYB104K10	C 7952 (A,84,53)	CKSSYB104K10
	C 7785 (B,135,63)	CCSSCH101J50	C 7953 (A,77,43) 10 uF	CCG1192
	C 7786 (B,21,24)	CKSSYB104K10	C 7954 (A,86,71)	CCSSCH5R0C50
	C 7789 (B,41,45) 2.2 uF	CCG1218	C 7955 (A,85,71)	CCSSCH6R0D50
	C 7791 (A,4,107)	CKSSYB102K50	C 7956 (A,88,64)	CKSSYB104K10
	C 7793 (A,5,102)	CCSSCH6R0D50	C 7957 (A,89,63)	CKSSYB104K10
C	C 7854 (A,75,96) (G)	CKSSYB104K10	C 7958 (A,90,68)	CKSSYB103K16
	C 7855 (A,71,93) 10 uF(G)	CCG1192	C 7963 (A,94,63) 1 uF	DCH1246
	C 7856 (A,52,9) (G)	CKSSYB104K10	C 7965 (A,94,62)	CKSSYB103K16
	C 7857 (A,54,7) 10 uF(G)	CCG1192	C 7967 (A,91,66)	CCSSCH470J50
	C 7862 (B,49,89) (G)	CKSSYB104K10	C 7968 (A,100,66)	CCSSCH150J50
	C 7865 (A,60,8) (G)	CKSRYB105K10	C 7970 (B,64,50)	CKSSYB104K10
	C 7866 (A,60,9) (G)	CKSRYB105K10	C 7971 (B,67,50)	CKSSYB104K10
	C 7867 (A,71,8) (G)	CKSRYB104K16	C 7972 (A,64,51)	CKSSYB104K10
	C 7868 (A,73,8) 10 uF(G)	CCG1192	C 7973 (A,60,52)	CKSSYB104K10
	C 7943 (B,78,68) (G)	CKSRYB105K16	C 7974 (A,95,69) 1 uF	DCH1246
D	C 7897 (B,71,67)	CKSRYB105K10	C 7975 (A,95,68)	CKSSYB103K16
	C 7898 (B,66,68)	CKSSYB104K10	C 7979 (B,61,55)	CKSSYB104K10
	C 7899 (B,66,66)	CKSSYB104K10	C 7980 (B,56,48) 10 uF	CCG1192
	C 7909 (B,64,39)	CKSRYB105K10	C 7988 (B,73,91)	CKSRYB105K10
	C 7910 (B,62,39)	CKSRYB105K10	C 7989 (B,74,91)	CKSRYB105K10
	C 7911 (B,67,39)	CKSRYB105K10	C 7990 (B,73,85)	CKSSYB104K10
	C 7912 (B,66,39)	CKSRYB105K10	C 7991 (A,71,74)	CKSSYB104K10
	C 7913 (A,64,40)	CKSRYB105K10	C 7994 (B,69,84)	CKSRYB105K10
	C 7914 (A,66,40)	CKSRYB105K10	C 7995 (B,70,84)	CKSRYB105K10
	C 7915 (A,60,41)	CKSRYB105K10	C 7996 (B,69,78)	CKSSYB104K10
E	C 7916 (A,62,40)	CKSRYB105K10	C 7997 (B,71,77)	CKSSYB104K10
	C 7917 (A,64,57) 10 uF	CCG1192	C 8000 (B,71,70)	CKSRYB105K10
	C 7918 (B,75,71)	CKSRYB105K16	C 8004 (B,109,71) 10 uF(Except D,G)	CCG1192
	C 7919 (B,73,67)	CKSRYB105K16	C 8007 (B,116,101) (Except D,G)	CCSSCH270J50
	C 7920 (B,74,61)	CKSRYB105K16	C 8008 (B,110,70) (Except D,G)	CKSSYB104K10
	C 7921 (B,64,45)	CKSSYB104K10	C 8009 (B,116,97) (Except D,G)	CCSSCH270J50
	C 7922 (B,67,45)	CKSSYB104K10	C 8012 (A,112,66) (Except D,G)	CKSSYB104K10
	C 7923 (A,65,46)	CKSSYB104K10	C 8013 (A,114,66) (Except D,G)	CKSSYB104K10
	C 7924 (A,61,47)	CKSSYB104K10	C 8014 (A,116,65) (Except D,G)	CKSSYB104K10
	C 7925 (B,71,60)	CKSRYB105K16	C 8016 (B,105,70) (Except D,G)	CCSSCH120J50
	C 7926 (A,73,64)	CCSSCH102J50	C 8017 (B,104,70) (Except D,G)	CCSSCH150J50
	C 7927 (A,72,64)	CKSSYB104K10	C 8019 (A,111,65) (Except D,G)	CKSSYB104K10
F	C 7928 (B,72,58)	CKSRYB105K16	C 8023 (B,125,62) (Except D,G)	CCSSCH470J50
	C 7929 (A,72,62)	CKSSYB103K16	C 8024 (A,111,62) (Except D,G)	CKSSYB104K10
	C 7930 (A,72,61)	CKSSYB474K6R3	C 8025 (A,114,61) (Except D,G)	CKSSYB104K10
	C 7931 (A,72,60)	CKSSYB474K6R3	C 8026 (A,116,63) (Except D,G)	CKSSYB104K10

5			6			7			8		
<u>Circuit Symbol and No.</u>			<u>Part No.</u>			<u>Circuit Symbol and No.</u>			<u>Part No.</u>		
C 8028	(A,130,68)	10 uF(Except D,G)	CCG1192			IC 1002	(B,15,13)	Regulator IC	MM1886A50P		
C 8029	(A,129,68)	(Except D,G)	CKSSYB104K10			IC 1003	(B,40,14)	IC	S-1200B50-M5		
C 8031	(A,124,71)	(Except D,G)	CKSSYB104K10			IC 1004	(B,64,28)	IC	NJM2855DL1-33		
C 8032	(A,124,72)	10 uF(Except D,G)	CCG1192			IC 1251	(A,12,41)	IC	BA5839FP		A
						IC 1401	(B,28,40)	Flash ROM Unit	CWW8811		
C 8033	(A,130,74)	(Except D,G)	CKSSYB102K50								
C 8034	(A,130,72)	(Except D,G)	CKSSYB102K50			IC 1402	(B,46,28)	Flash ROM Unit	CWW8812		
C 8101	(A,156,85)		CKSSYB102K50			IC 1480	(A,65,30)	RAM IC	M12L64164A-5TG2Y		
C 8102	(A,155,85)		CKSSYB103K16			IC 1501	(A,39,33)	IC	MN2DS0018MA		
C 8103	(A,144,86)		CKSSYB104K10			IC 1801	(B,46,10)	D/A Converter	PCM1753DBQ		
						IC 1953	(B,57,17)	IC	S-1135D12-A6		
C 8104	(A,154,85)		CKSSYB104K10								
C 8105	(A,151,85)		CKSSYB103K16			Q 1101	(B,13,59)	Bipolar Transistor	LSCR523UB		
C 8108	(A,141,78)		CCSSCH101J50			Q 1102	(B,14,56)	Bipolar Transistor	LSCR523UB		
C 8109	(A,147,80)		CKSSYB104K10			Q 1103	(B,10,62)	Transistor	2SB1132		
C 8110	(A,147,79)		CKSSYB104K10			Q 1104	(B,22,54)	Transistor	2SB1132		
						L 1501	(A,54,30)	Inductor	CTF1743		B
C 8111	(B,157,75)		CKSRYB104K16								
C 8112	(B,157,77)		CKSRYB104K16			L 1511	(A,48,17)	Chip Beads	VTL1126		
C 8113	(A,159,86)		CKSRYB104K16			L 1902	(A,18,17)	Inductor	CTF1487		
C 8205	(A,80,115)	10 uF	CCG1236			L 1903	(B,64,16)	Inductor	CTF1558		
C 8208	(B,50,27)	(A,B)	CKSSYB104K10			L 1904	(A,68,18)	Resistor	RS1/16SS0R0J		
						X 1501	(B,48,18)	Crystal Resonator	CSS1823		
C 8501	(A,16,90)	(Except F,G)	CKSSYB104K10								
C 8503	(B,141,91)		CKSSYB104K10			F 1001	(A,14,19)	Chip EMI Filter	DTF1106		
C 8505	(A,5,90)	(Except F,G)	CKSSYB104K10			F 1002	(B,64,18)	Chip EMI Filter	DTL1106		
C 8506	(A,41,107)		CKSSYB104K10			S 1	(A,47,55)	Lever Switch(HOME)	CSN1090		
C 8507	(A,36,110)		CKSSYB104K10			S 3	(B,26,13)	Lever Switch(12EJ)	CSN1089		
						VR1101	(A,7,63)	Semi-fixed 6.8 kohm(B)	CCP1447		
C 8508	(A,34,107)		CKSSYB104K10								
C 8512	(B,43,116)	(A,B)	CCSRCH220J50			VR1102	(A,7,59)	Semi-fixed 15 kohm(B)	CCP1449		C
C 8517	(A,53,121)	(A,B)	CKSRYB104K50			CN1101	(A,21,63)	Connector	CKS6631		
C 8520	(B,36,116)	(A,B)	CCSRCH220J50			CN1952	(A,42,11)	Connector	CKS6025		
C 8521	(B,39,116)	(A,B)	CCSRCH220J50								
C 8522	(B,46,116)	(A,B)	CCSRCH220J50								
C 8523	(B,35,116)	(A,B)	CCSRCH220J50								
C 8524	(B,48,114)	(A,B)	CCSRCH220J50								
C 8525	(A,5,119)		CCSRCH470J50								
C 8601	(A,14,8)		CCSSCH100D50								
C 8602	(A,17,6)		CKSSYB104K16								
C 8604	(A,26,6)	2.2 uF	CCG1218			R 1004	(B,12,20)		RS1/16SS4702F		
C 8606	(A,28,9)		CKSSYB104K10			R 1007	(B,12,21)		RS1/16SS6801F		
C 8607	(A,29,14)		CKSSYB104K10			R 1019	(B,34,7)		RS1/16SS101J		
C 8608	(A,13,9)	10 uF	CCG1192			R 1025	(B,36,6)		RS1/16SS101J		
						R 1027	(A,40,18)		RS1/16SS101J		
C 8602	(A,17,6)		CKSSYB104K16								
C 8604	(A,26,6)	2.2 uF	CCG1218			R 1101	(B,15,57)		RS1/16SS104J		D
C 8606	(A,28,9)		CKSSYB104K10			R 1102	(B,11,56)		RS1/16SS104J		
C 8607	(A,29,14)		CKSSYB104K10			R 1103	(B,14,61)		RS1/16SS4300F		
C 8608	(A,13,9)	10 uF	CCG1192			R 1104	(B,11,58)		RS1/16SS5100F		
						R 1105	(B,17,54)		RS1/16SS4300F		
C 8801	(B,107,121)		CCSRCH331J50								
C 8813	(A,91,74)		CKSRYB102K50			R 1106	(B,10,57)		RS1/16SS5600F		
C 8814	(A,95,70)	4.7 uF	CCG1201			R 1109	(B,6,57)		RS1/16SS3R3J		
C 8815	(A,113,52)		CCSSCH9R0D50			R 1110	(B,16,54)		RS1/16SS3R3J		
C 8816	(A,112,52)		CCSSCH9R0D50			R 1111	(B,6,63)		RS1/10SR3R3J		
						R 1112	(B,5,58)		RS1/10SR3R3J		
C 8817	(A,110,52)		CCSSCH9R0D50								
C 8818	(A,109,52)		CCSSCH9R0D50			R 1113	(B,15,59)		RS1/10SR3R9J		
C 8819	(A,108,52)		CCSSCH9R0D50			R 1114	(B,19,57)		RS1/10SR3R3J		E
C 8820	(A,106,52)		CCSSCH9R0D50			R 1115	(B,6,61)		RS1/10SR2R7J		
C 8821	(A,105,52)		CCSSCH9R0D50			R 1116	(B,6,62)		RS1/10SR2R7J		
						R 1117	(B,18,59)		RS1/10SR3R9J		
C 8822	(A,104,52)		CCSSCH9R0D50								
C 8823	(A,78,76)		CCSRCH121J50			R 1118	(B,16,59)		RS1/10SR3R9J		
C 8824	(A,69,31)		CCSRCH121J50			R 1223	(A,42,50)		RS1/16SS561J		
C 8825	(A,56,30)		CCSRCH121J50			R 1225	(B,29,7)		RS1/16SS471J		
						R 1251	(A,6,48)		RS1/16SS333J		
						R 1252	(A,6,47)		RS1/16SS473J		
						R 1253	(A,6,46)		RS1/16SS333J		
						R 1254	(A,6,45)		RS1/16SS473J		F
						R 1255	(A,22,48)		RS1/16SS183J		
						R 1256	(A,21,45)		RS1/16SS153J		
						R 1257	(B,8,37)		RS1/16SS221J		



Unit Number : CWX4717

Unit Name : DVD Core Unit

MISCELLANEOUS

	1	2	3	4
	<u>Circuit Symbol and No.</u>	<u>Part No.</u>	<u>Circuit Symbol and No.</u>	<u>Part No.</u>
A	R 1258 (A,19,39)	RS1/16SS221J	R 1672 (A,39,18)	RS1/16SS2000D
	R 1401 (B,34,28)	RS1/16SS221J	R 1674 (A,38,17)	RS1/16SS3002D
	R 1402 (B,35,47)	RS1/16SS104J	R 1801 (B,51,8)	RS1/16SS104J
	R 1405 (B,55,35)	RS1/16SS104J	R 1802 (B,53,8)	RS1/16SS104J
	R 1406 (B,39,45)	RS1/16SS472J	R 1803 (B,51,14)	RS1/16SS821J
■	R 1480 (A,73,24)	RAB4CQ560J	R 1804 (B,53,14)	RS1/16SS821J
	R 1481 (A,73,28)	RAB4CQ560J	R 1982 (A,10,62)	RS1/16SS822J
	R 1482 (A,73,32)	RAB4CQ560J	R 1983 (B,41,19)	RS1/16SS1000D
	R 1483 (A,73,35)	RAB4CQ560J	R 1987 (B,43,20)	RS1/16SS0R0J
	R 1484 (A,73,39)	RAB4CQ560J	R 1990 (B,35,19)	RS1/16SS2000D
B	R 1485 (A,55,22)	RAB4CQ560J	R 1991 (B,31,16)	RS1/16SS101J
	R 1486 (A,56,27)	RAB4CQ560J	R 1996 (B,36,13)	RS1/16SS2000D
	R 1487 (A,56,37)	RAB4CQ560J	R 1997 (B,36,10)	RS1/16SS101J
	R 1488 (A,56,40)	RAB4CQ560J	R 2002 (B,43,10)	RS1/16SS2000D
	R 1489 (A,54,29)	RS1/16SS560J	R 2003 (B,43,8)	RS1/16SS101J
■	R 1490 (A,73,21)	RS1/16SS560J	CAPACITORS	
	R 1501 (B,49,20)	RS1/16SS122J	C 1001 (B,43,13)	CKSRYB105K10
	R 1503 (B,47,20)	RS1/16SS105J	C 1002 (B,13,17)	CKSSYB104K16
	R 1504 (A,50,17)	RS1/16SS121J	C 1003 (B,16,18)	CKSSYB104K16
	R 1505 (A,46,18)	RS1/16SS101J	C 1004 (B,15,17) 4.7 uF	CCG1201
C	R 1506 (B,46,15)	RS1/16SS101J	C 1005 (B,41,11)	CKSRYB105K16
	R 1507 (B,44,17)	RS1/16SS101J		
	R 1508 (B,43,17)	RS1/16SS221J	C 1010 (B,60,23)	CKSQYB225K10
	R 1509 (A,21,34)	RS1/16SS102J	C 1011 (B,64,22)	CKSRYB105K10
	R 1510 (A,11,29)	RS1/16SS102J	C 1015 (A,26,7)	CKSSYB102K50
■	R 1512 (A,55,31)	RS1/16SS470J	C 1016 (B,64,15)	CKSSYB102K50
	R 1513 (A,23,38)	RS1/16SS203J	C 1018 (B,14,21)	CKSSYB104K10
	R 1514 (A,25,40)	RS1/16SS183J	C 1040 (B,59,12)	CCSRCH821J50
	R 1516 (A,25,36)	RS1/16SS104J	C 1041 (B,19,12)	CCSRCH271J50
	R 1517 (B,58,22)	RS1/16SS103J	C 1101 (B,15,53) 10 uF	CCG1192
D	R 1518 (B,34,31)	RS1/16SS103J	C 1104 (B,8,57)	CKSSYB104K10
	R 1519 (A,25,43)	RS1/16SS102J	C 1105 (B,18,54)	CKSSYB104K10
	R 1522 (A,21,37)	RS1/16SS104J		
	R 1523 (A,23,37)	RS1/16SS221J	C 1106 (B,8,66)	CKSSYB103K16
	R 1524 (B,29,33)	RS1/16SS472J	C 1107 (B,26,53)	CKSSYB103K16
■	R 1525 (A,25,44)	RS1/16SS103J	C 1108 (A,20,56)	CKSSYB103K16
	R 1526 (A,23,40)	RS1/16SS103J	C 1109 (A,7,57)	CKSRYB224K16
	R 1527 (A,35,48)	RS1/16SS682J	C 1110 (A,18,58)	CKSSYB103K16
	R 1528 (B,20,33)	RS1/16SS103J		
	R 1529 (B,35,21)	RS1/16SS103J	C 1111 (A,9,66)	CKSRYB224K16
E	R 1530 (B,18,33)	RS1/16SS103J	C 1112 (B,17,52) 22 uF	DCH1256
	R 1531 (B,34,30)	RS1/16SS103J	C 1113 (B,9,58) 22 uF	DCH1256
	R 1533 (A,29,48)	RS1/16SS104J	C 1210 (B,77,33)	CKSSYB104K16
	R 1534 (B,29,48)	RS1/16SS221J	C 1251 (B,13,41)	CEVW101M16
	R 1535 (A,22,44)	RS1/16SS104J		
■	R 1536 (B,32,48)	RS1/16SS104J	C 1252 (B,8,41) 4.7 uF	CCG1222
	R 1537 (A,25,46)	RS1/16SS104J	C 1253 (B,8,39)	CKSSYB104K16
	R 1538 (A,56,35)	RS1/16SS104J	C 1254 (A,6,37)	CKSSYB104K16
	R 1539 (B,34,48)	RS1/16SS104J	C 1255 (A,19,37)	CKSSYB104K16
	R 1540 (A,26,46)	RS1/16SS221J	C 1401 (B,34,27)	CKSSYB104K16
■	R 1541 (A,26,45)	RS1/16SS221J	C 1403 (B,39,40)	CKSSYB104K10
	R 1542 (B,27,34)	RS1/16SS103J	C 1408 (B,58,27)	CKSSYB104K10
	R 1546 (A,33,48)	RS1/16SS682J	C 1410 (B,34,29)	CKSSYB104K16
	R 1601 (A,32,17)	RS1/16SS123J	C 1480 (A,71,19)	CKSSYB104K10
	R 1602 (A,32,18)	RS1/16SS123J	C 1481 (A,73,22)	CKSSYB104K10
F	R 1603 (B,31,20)	RS1/16SS1002D	C 1482 (A,72,26)	CKSSYB104K10
	R 1604 (A,24,21)	RS1/16SS105J	C 1484 (A,73,30)	CKSSYB104K10
	R 1605 (A,22,23)	RS1/16SS105J	C 1485 (A,73,41)	CKSSYB104K10
	R 1670 (B,40,19)	RS1/16SS1002D	C 1487 (A,58,29)	CKSSYB104K10
	R 1671 (B,43,19)	RS1/16SS2402D	C 1488 (A,57,25)	CKSSYB104K10
			C 1489 (A,65,17) 10 uF	CCG1192
			C 1490 (A,66,18)	CKSSYB102K50

5			6			7			8								
<u>Circuit Symbol and No.</u>			<u>Part No.</u>			<u>Circuit Symbol and No.</u>			<u>Part No.</u>								
C 1501	(B,62,20)	10 uF	CCG1192			C 1953	(B,60,17)		CKSRYB105K10								
C 1502	(B,55,19)	10 uF	CCG1192			C 1954	(B,55,17)		CKSRYB105K10								
C 1503	(A,54,33)		CKSSYB104K10			C 1955	(B,77,40)		CKSSYB104K16								
C 1504	(A,54,24)		CKSSYB104K10			C 1962	(B,40,20)		CKSRYB105K10		A						
C 1505	(A,54,27)		CKSSYB104K10			D Unit Number : CWN9870 Unit Name : SOC Dual Core Unit MISCELLANEOUS IC 4001 (A,43,43) IC MCIMX6U6AVM08ACS1 IC 4301 (A,54,72) RAM IC H5TQ4G63CFR-RDC IC 4302 (A,35,72) RAM IC H5TQ4G63CFR-RDC IC 4401 (A,10,60) IC CWJ2605 IC 4402 (B,21,65) IC PE1038A IC 4403 (B,24,56) IC TC7WU04FU IC 4501 (B,11,39) IC AK8814VQ IC 4701 (B,69,62) IC LTC3612EUDC IC 4721 (B,68,35) IC LTC3612EUDC IC 4741 (B,68,50) IC LTC3612EUDC IC 4766 (A,30,17) Regulator IC MM3479A30P IC 4791 (A,47,23) IC TC7SH08FUS1 IC 4792 (A,47,18) IC PST8429N IC 4793 (A,45,15) IC TC7SH08FUS1 IC 4794 (A,42,20) IC TC7SH08FUS1 IC 4796 (A,23,59) Regulator IC MM3479A12P IC 4901 (A,68,26) IC 337S3959 IC 4903 (A,29,25) IC TC7WBL3306CFK Q 4776 (A,63,23) Chip Transistor 2SB1689 Q 4777 (A,62,29) Resistor Built-IN TR LTC044EEB Q 4778 (A,27,23) Resistor Built-IN TR LTC044EEB L 4501 (B,6,49) Inductor LCYA2R7J2016 L 4502 (B,8,30) Inductor LCYA2R7J2016 L 4701 (A,70,59) SMD SPL Inductor CTH1500 L 4721 (A,64,34) SMD SPL Inductor CTH1499 L 4741 (A,69,47) SMD SPL Inductor CTH1499 L 4901 (B,57,42) Ferrite Bead CTF1528 L 4909 (A,56,38) Inductor CTF1787 L 5001 (A,71,22) Inductor CTF1868 L 5002 (A,67,19) Inductor CTF1870 TH4381 (A,25,72) Thermistor CCX1084 X 4001 (A,49,28) Resonator 24 MHz CSS1773 X 4002 (A,44,28) Resonator 32.768 kHz CSS1807 X 4401 (B,30,55) Crystal Resonator 14.745 6 MHz CSS1835 X 4901 (B,60,43) VCXO 11.289 6MHz CWX4566 CN5001 (B,57,20) B TO B Connector CKS6499 CN5002 (B,20,20) B TO B Connector CKS6556 RESISTORS R 4001 (A,27,54) RAB4CQ470J R 4002 (A,27,51) RAB4CQ470J R 4003 (A,27,48) RAB4CQ470J R 4004 (A,27,46) RAB4CQ470J R 4005 (A,27,43) RAB4CQ470J R 4006 (A,27,41) RS1/16SS470J R 4007 (A,50,31) RS1/16SS470J R 4008 (A,4,23) RS1/16SS0R0J R 4010 (A,34,58) RS1/16SS0R0J R 4011 (A,24,46) RS1/16SS103J 											
C 1509	(A,54,42)		CKSSYB104K10														
C 1510	(B,51,18)		CCSSCH120J50														
C 1511	(A,49,18)		CKSSYB104K10														
C 1512	(B,46,18)		CCSSCH120J50														
C 1513	(A,48,47)		CKSSYB104K10														
C 1514	(B,45,20)		CKSSYB104K10														
C 1515	(A,44,19)		CKSSYB104K10														
C 1516	(A,44,47)		CKSSYB104K10														
C 1517	(A,42,47)		CKSSYB104K10														
C 1518	(A,38,47)		CKSSYB104K10														
C 1519	(A,34,47)		CKSSYB104K10														
C 1520	(A,27,47)		CKSSYB104K10														
C 1521	(A,25,33)		CKSSYB104K10														
C 1522	(A,25,38)		CKSSYB104K10														
C 1523	(A,20,45)		CKSSYB104K10														
C 1524	(A,21,48)		CKSSYB473K16														
C 1526	(A,25,37)		CKSSYB103K16														
C 1528	(B,30,48)		CCSSCH471J50														
C 1601	(A,32,19)		CKSSYB103K16														
C 1602	(A,34,17)		CCSSCH101J50														
C 1603	(A,34,18)		CCSSCH101J50														
C 1604	(A,30,17)		CCSSCH680J50														
C 1605	(A,30,18)		CCSSCH680J50														
C 1606	(A,35,19)		CKSSYB104K10														
C 1607	(A,20,24)	10 uF	CCG1192														
C 1608	(A,28,18)	4.7 uF	CCG1201														
C 1609	(A,26,22)		CKSSYB104K10														
C 1612	(A,24,24)		CKSSYB104K10														
C 1613	(A,25,25)		CKSSYB104K10														
C 1614	(A,23,24)		CKSSYB104K10														
C 1615	(A,23,26)		CKSSYB104K10														
C 1616	(A,25,27)		CKSSYB104K10														
C 1617	(B,27,28)		CKSSYB104K10														
C 1618	(A,23,29)		CCSSCH101J50														
C 1619	(A,23,30)		CKSSYB562K25														
C 1620	(B,27,30)		CKSSYB224K6R3														
C 1621	(A,23,31)		CKSSYB224K6R3														
C 1622	(A,25,31)		CKSSYB333K16														
C 1623	(A,27,20)		CKSRYB105K10														
C 1624	(A,25,32)		CKSSYB104K10														
C 1625	(A,25,29)		CKSSYB104K10														
C 1671	(A,42,19)		CKSSYB104K10														
C 1673	(A,37,17)		CKSSYB104K10														
C 1674	(B,42,20)		CKSSYB104K10														
C 1676	(B,38,20)		CKSRYB105K10														
C 1801	(B,51,10)	4.7 uF	CCG1201														
C 1802	(B,53,10)	4.7 uF	CCG1201														
C 1803	(B,50,12)		CCSRCH182J50														
C 1804	(B,53,12)		CCSRCH182J50														
C 1805	(B,47,14)		CKSSYB104K10														
C 1806	(B,56,8)	10 uF	CCG1192														
C 1809	(B,40,17)		CKSSYB102K50														

	1	2	3	4
	<u>Circuit Symbol and No.</u>	<u>Part No.</u>	<u>Circuit Symbol and No.</u>	<u>Part No.</u>
A	R 4012 (A,25,52)	RS1/16SS103J	R 4262 (B,62,9)	RS1/16SS103J
	R 4015 (A,45,31)	RS1/16SS102J	R 4263 (B,24,30)	RS1/16SS103J
	R 4017 (A,24,55)	RS1/16SS103J	R 4264 (B,12,27)	RS1/16SS103J
	R 4018 (B,50,41)	RS1/16SS0R0J	R 4265 (A,13,19)	RS1/16SS103J
	R 4022 (B,18,43)	RS1/16SS330J	R 4266 (A,14,19)	RS1/16SS103J
■	R 4029 (B,64,11)	RS1/16SS472J	R 4268 (B,23,30)	RS1/16SS103J
	R 4054 (A,24,52)	RS1/16SS103J	R 4270 (B,50,32)	RS1/16SS103J
	R 4055 (A,24,41)	RS1/16SS103J	R 4271 (B,50,31)	RS1/16SS103J
	R 4056 (A,25,41)	RS1/16SS103J	R 4272 (A,27,40)	RS1/16SS470J
	R 4057 (A,23,44)	RS1/16SS103J	R 4273 (A,38,56)	RS1/16SS2400F
B	R 4058 (A,24,44)	RS1/16SS103J	R 4274 (B,56,55)	RS1/16SS1001D
	R 4059 (A,24,44)	RS1/16SS103J	R 4275 (B,54,55)	RS1/16SS1001D
	R 4060 (A,25,44)	RS1/16SS103J	R 4276 (B,33,10)	RS1/16SS103J
	R 4063 (A,23,49)	RS1/16SS103J	R 4277 (B,54,47)	RS1/16SS103J
	R 4064 (A,24,49)	RS1/16SS103J	R 4278 (B,63,29)	RS1/16SS103J
■	R 4066 (A,25,49)	RS1/16SS103J	R 4279 (B,24,11)	RS1/16SS103J
	R 4067 (A,23,52)	RS1/16SS103J	R 4280 (B,30,30)	RS1/16SS103J
	R 4068 (A,24,52)	RS1/16SS103J	R 4281 (B,32,11)	RS1/16SS103J
	R 4070 (A,23,55)	RS1/16SS103J	R 4282 (B,26,10)	RS1/16SS103J
	R 4073 (A,24,46)	RS1/16SS103J	R 4283 (B,29,30)	RS1/16SS103J
C	R 4074 (A,25,46)	RS1/16SS103J	R 4284 (B,46,11)	RS1/16SS103J
	R 4081 (A,4,35)	RS1/10SR0R0J	R 4285 (B,60,13)	RS1/16SS103J
	R 4084 (A,4,29)	RS1/16SS102J	R 4286 (A,43,56)	RS1/16SS0R0J
	R 4091 (A,47,28)	RS1/16SS225J	R 4287 (A,42,56)	RS1/16SS0R0J
	R 4095 (A,43,24)	RS1/16SS0R0J	R 4288 (B,65,27)	RS1/16SS103J
■	R 4100 (B,20,42)	RS1/16SS470J	R 4289 (B,41,7)	RS1/16SS103J
	R 4101 (B,53,41)	RS1/16SS0R0J	R 4290 (B,51,43)	RS1/16SS0R0J
	R 4103 (B,13,68)	RS1/16SS220J	R 4291 (A,41,56)	RS1/16SS0R0J
	R 4105 (A,25,55)	RS1/16SS103J	R 4292 (A,40,56)	RS1/16SS0R0J
	R 4111 (B,15,65)	RS1/16SS472J	R 4293 (B,44,10)	RS1/16SS104J
D	R 4141 (B,57,83)	RS1/16SS103J	R 4295 (B,26,13)	RS1/16SS103J
	R 4151 (A,28,28)	RS1/16SS0R0J	R 4296 (B,64,9)	RS1/16SS222J
	R 4154 (B,66,27)	RS1/16SS0R0J	R 4297 (B,63,9)	RS1/16SS103J
	R 4155 (B,67,27)	RS1/16SS0R0J	R 4300 (B,24,13)	RS1/16SS103J
	R 4157 (A,30,28)	RS1/16SS0R0J	R 4302 (B,46,10)	RS1/16SS104J
■	R 4158 (B,30,38)	RAB4CQ471J	R 4303 (A,21,52)	RS1/16SS101J
	R 4159 (B,30,41)	RAB4CQ471J	R 4307 (B,54,73)	RS1/16SS1200D
	R 4160 (B,31,43)	RAB4CQ471J	R 4308 (B,35,73)	RS1/16SS1200D
	R 4162 (B,31,46)	RAB4CQ471J	R 4309 (B,51,73)	RS1/16SS2400F
	R 4163 (A,30,40)	RS1/16SS470J	R 4310 (B,32,73)	RS1/16SS2400F
■	R 4164 (B,20,43)	RS1/16SS470J	R 4314 (B,57,82)	RS1/16SS102J
	R 4165 (A,29,40)	RS1/16SS470J	R 4315 (B,39,82)	RS1/16SS102J
	R 4186 (A,26,39)	RS1/16SS101J	R 4317 (B,19,4)	RS1/16SS0R0J
	R 4209 (A,24,55)	RS1/16SS103J	R 4381 (A,25,73)	RS1/16SS1802D
	R 4213 (A,24,49)	RS1/16SS103J	R 4401 (A,7,47)	RS1/16SS102J
E	R 4216 (A,23,46)	RS1/16SS103J	R 4402 (A,11,72)	RS1/16SS0R0J
	R 4220 (A,21,41)	RS1/16SS103J	R 4403 (A,10,48)	RS1/16SS0R0J
	R 4222 (A,23,41)	RS1/16SS103J	R 4404 (B,28,57)	RS1/16SS102J
	R 4224 (A,21,39)	RS1/16SS103J	R 4405 (B,28,55)	RS1/16SS105J
	R 4226 (A,24,41)	RS1/16SS103J	R 4407 (B,15,63)	RS1/16SS471J
■	R 4228 (A,22,41)	RS1/16SS103J	R 4411 (B,20,57)	RS1/16SS220J
	R 4230 (A,20,39)	RS1/16SS222J	R 4412 (B,24,58)	RS1/16SS102J
	R 4232 (A,20,39)	RS1/16SS222J	R 4413 (A,15,72)	RS1/16SS0R0J
	R 4236 (B,24,39)	RS1/16SS103J	R 4415 (A,26,62)	RS1/16SS0R0J
	R 4237 (B,22,44)	RS1/16SS103J	R 4416 (A,17,57)	RS1/16SS0R0J
F	R 4238 (A,56,40)	RS1/16SS0R0J	R 4417 (A,16,73)	RS1/16SS472J
	R 4242 (A,4,25)	RS1/16SS101J	R 4418 (A,16,74)	RS1/16SS472J
	R 4244 (A,20,41)	RS1/16SS103J	R 4419 (A,16,75)	RS1/16SS472J
	R 4260 (B,51,13)	RS1/16SS103J	R 4420 (A,20,67)	RS1/16SS101J
	R 4261 (B,53,13)	RS1/16SS103J	R 4421 (A,21,63)	RS1/16SS101J

5		6		7		8	
<u>Circuit Symbol and No.</u>		<u>Part No.</u>		<u>Circuit Symbol and No.</u>		<u>Part No.</u>	
R 4445	(B,18,46)	RAB4CQ101J		R 4705	(B,69,59)	RS1/16SS220J	
R 4446	(B,18,49)	RAB4CQ101J		R 4706	(B,65,59)	RS1/16SS105J	
R 4447	(B,13,70)	RS1/16SS103J		R 4707	(B,64,59)	RS1/16SS105J	A
R 4448	(A,24,69)	RS1/16SS0R0J		R 4708	(B,64,61)	RS1/16SS2201D	
R 4449	(B,6,69)	RS1/16SS0R0J		R 4709	(B,67,65)	RS1/16SS0R0J	
R 4450	(B,5,66)	RS1/16SS330J		R 4710	(B,64,63)	RS1/16SS1003D	
R 4451	(B,15,64)	RS1/16SS0R0J		R 4711	(B,65,63)	RS1/16SS183J	
R 4452	(B,13,64)	RS1/16SS561J		R 4713	(B,67,66)	RS1/16SS1002D	
R 4453	(B,5,63)	RS1/16SS561J		R 4714	(B,65,66)	RS1/16SS1503D	
R 4454	(B,5,65)	RS1/16SS561J		R 4715	(B,65,62)	RS1/16SS1503D	
R 4455	(B,13,57)	RS1/16SS220J		R 4716	(A,64,62)	RS1/16SS0R0J	
R 4456	(B,5,55)	RS1/16SS220J		R 4717	(B,67,59)	RS1/16SS0R0J	
R 4457	(B,11,51)	RS1/16SS220J		R 4721	(A,66,39)	RS1/8SQ0R0J	
R 4458	(B,12,51)	RS1/16SS220J		R 4722	(A,70,30)	RS1/8SQ0R0J	B
R 4459	(B,14,55)	RS1/16SS220J		R 4723	(A,64,39)	RS1/8SQ0R0J	
R 4460	(B,14,54)	RS1/16SS220J		R 4724	(B,64,35)	RS1/16SS220J	
R 4461	(B,14,52)	RS1/16SS220J		R 4725	(B,65,39)	RS1/16SS105J	
R 4462	(B,13,52)	RS1/16SS220J		R 4726	(B,65,41)	RS1/16SS105J	
R 4463	(B,27,49)	RS1/16SS0R0J		R 4727	(B,66,40)	RS1/16SS2702D	
R 4464	(B,27,48)	RS1/16SS0R0J		R 4728	(B,71,37)	RS1/16SS105J	
R 4465	(B,27,48)	RS1/16SS0R0J		R 4729	(B,70,41)	RS1/16SS1503D	
R 4466	(B,27,47)	RS1/16SS0R0J		R 4730	(B,72,37)	RS1/16SS1002D	
R 4467	(B,26,46)	RS1/16SS0R0J		R 4731	(B,72,39)	RS1/16SS1503D	
R 4468	(B,26,45)	RS1/16SS0R0J		R 4732	(B,67,39)	RS1/16SS1203D	
R 4469	(B,26,44)	RS1/16SS0R0J		R 4733	(A,68,40)	RS1/16SS0R0J	C
R 4470	(B,26,43)	RS1/16SS0R0J		R 4734	(B,69,39)	RS1/16SS223J	
R 4473	(B,24,70)	RS1/16SS0R0J		R 4735	(A,71,40)	RS1/10SR102J	
R 4474	(B,22,70)	RS1/16SS0R0J		R 4736	(B,64,37)	RS1/16SS0R0J	
R 4475	(B,28,62)	RS1/16SS0R0J		R 4737	(B,68,40)	RS1/16SS4703D	
R 4476	(B,28,61)	RS1/16SS0R0J		R 4738	(B,62,27)	RS1/16SS103J	
R 4477	(B,20,70)	RS1/16SS0R0J		R 4739	(B,70,44)	RS1/16SS0R0J	
R 4479	(B,17,70)	RS1/16SS181J		R 4741	(A,63,49)	RS1/8SQ0R0J	
R 4480	(B,21,72)	RS1/16SS0R0J		R 4742	(A,72,52)	RS1/8SQ0R0J	
R 4481	(B,16,62)	RS1/16SS0R0J		R 4743	(A,63,47)	RS1/8SQ0R0J	
R 4482	(B,16,64)	RS1/16SS472J		R 4744	(B,68,46)	RS1/16SS220J	
R 4502	(B,16,42)	RS1/16SS103J		R 4745	(B,63,47)	RS1/16SS105J	D
R 4503	(B,22,34)	RS1/16SS101J		R 4746	(B,62,47)	RS1/16SS105J	
R 4504	(B,21,34)	RS1/16SS101J		R 4747	(B,62,48)	RS1/16SS2702D	
R 4505	(B,17,41)	RS1/16SS103J		R 4749	(B,61,52)	RS1/16SS1503D	
R 4507	(B,17,39)	RS1/16SS221J		R 4750	(B,66,54)	RS1/16SS1002D	
R 4508	(B,17,37)	RS1/16SS221J		R 4751	(B,64,54)	RS1/16SS1503D	
R 4510	(B,11,32)	RS1/16SS6801D		R 4752	(B,64,49)	RS1/16SS1203D	
R 4511	(B,20,40)	RS1/16SS101J		R 4753	(A,63,51)	RS1/16SS0R0J	
R 4512	(B,5,42)	RS1/16SS103J		R 4754	(B,64,51)	RS1/16SS223J	
R 4513	(B,16,34)	RS1/10SR0R0J		R 4755	(A,62,53)	RS1/10SR102J	
R 4514	(B,16,30)	RS1/10SR0R0J		R 4756	(B,65,47)	RS1/16SS0R0J	E
R 4515	(B,16,33)	RS1/10SR0R0J		R 4757	(B,62,50)	RS1/16SS4703D	
R 4525	(B,5,67)	RS1/16SS0R0J		R 4758	(B,71,39)	RS1/16SS0R0J	
R 4529	(B,5,46)	RS1/16SS0R0J		R 4759	(B,60,52)	RS1/16SS0R0J	
R 4540	(B,6,68)	RS1/16SS220J		R 4767	(A,37,17)	RS1/10SR0R0J	
R 4543	(A,14,33)	RS1/16SS101J		R 4768	(B,36,10)	RS1/10SR0R0J	
R 4544	(A,13,33)	RS1/16SS101J		R 4769	(A,25,16)	RS1/16SS0R0J	
R 4545	(A,12,33)	RS1/16SS101J		R 4772	(A,40,12)	RS1/16SS103J	
R 4546	(A,11,33)	RS1/16SS101J		R 4773	(A,32,6)	RS1/10SR0R0J	
R 4547	(A,8,37)	RS1/16SS101J		R 4775	(A,39,13)	RS1/16SS0R0J	
R 4548	(A,8,36)	RS1/16SS101J		R 4776	(A,63,27)	RS1/10SR332J	F
R 4549	(A,8,36)	RS1/16SS101J		R 4777	(A,63,26)	RS1/10SR332J	
R 4550	(A,8,35)	RS1/16SS101J		R 4778	(A,26,18)	RS1/16SS103J	
R 4702	(A,74,64)	RS1/8SQ0R0J		R 4779	(A,27,27)	RS1/16SS103J	
R 4704	(A,65,60)	RS1/8SQ0R0J		R 4780	(A,27,26)	RS1/16SS101J	

	1	2	3	4
	<u>Circuit Symbol and No.</u>	<u>Part No.</u>	<u>Circuit Symbol and No.</u>	<u>Part No.</u>
A	R 4790 (A,50,23)	RS1/16SS101J	R 5029 (A,16,46)	RS1/16SS102J
	R 4791 (A,46,25)	RS1/16SS101J	R 5030 (A,17,52)	RS1/16SS102J
	R 4792 (A,49,17)	RS1/16SS0R0J	R 5031 (A,16,46)	RS1/16SS102J
	R 4793 (A,41,16)	RS1/16SS0R0J	R 5032 (B,15,13)	RS1/16SS560J
	R 4794 (A,49,15)	RS1/16SS103J	R 5033 (B,17,13)	RS1/16SS221J
■	R 4795 (A,46,21)	RS1/16SS683J	R 5034 (B,59,13)	RS1/16SS681J
	R 4798 (A,42,17)	RS1/16SS104J	R 5036 (B,48,13)	RS1/16SS101J
	R 4799 (A,44,21)	RS1/16SS0R0J	R 5037 (B,13,27)	RS1/16SS101J
	R 4800 (A,44,20)	RS1/16SS0R0J	R 5040 (A,10,21)	RS1/16SS0R0J
	R 4801 (A,43,13)	RS1/16SS0R0J	R 5041 (A,11,21)	RS1/16SS681J
B	R 4802 (A,43,23)	RS1/16SS0R0J	R 5042 (A,9,21)	RS1/16SS471J
	R 4803 (A,51,25)	RS1/16SS101J	R 5043 (A,8,21)	RS1/16SS0R0J
	R 4804 (A,50,24)	RS1/16SS103J	R 5044 (A,7,21)	RS1/16SS471J
	R 4805 (A,44,25)	RS1/16SS103J	R 5045 (A,65,20)	RS1/16SS0R0J
	R 4845 (A,65,59)	RS1/8SQ0R0J	R 5046 (B,55,13)	RS1/16SS0R0J
■	R 4901 (A,39,31)	RS1/16SS103J	R 5047 (B,57,13)	RS1/16SS680J
	R 4902 (A,71,26)	RS1/16SS222J	R 5048 (B,52,46)	RS1/16SS331J
	R 4903 (A,37,31)	RS1/16SS470J	R 5049 (B,54,46)	RS1/16SS331J
	R 4904 (A,65,28)	RS1/16SS222J	R 5053 (B,8,27)	RS1/16SS560J
	R 4905 (A,65,27)	RS1/16SS221J	R 5054 (B,7,27)	RS1/16SS560J
C	R 4906 (A,65,26)	RS1/16SS103J	R 5055 (B,11,27)	RS1/16SS560J
	R 4907 (A,65,24)	RS1/16SS0R0J	R 5056 (B,10,27)	RS1/16SS560J
	R 4911 (A,56,37)	RS1/16SS151J	R 5057 (B,9,27)	RS1/16SS560J
	R 4912 (B,62,41)	RS1/16SS0R0J	R 5059 (B,31,13)	RS1/16SS560J
	R 4913 (B,60,41)	RS1/16SS0R0J	R 5060 (B,32,13)	RS1/16SS560J
■	R 4914 (A,36,31)	RS1/16SS470J	R 5061 (B,28,13)	RS1/16SS560J
	R 4915 (A,40,24)	RS1/16SS0R0J	R 5062 (B,29,13)	RS1/16SS560J
	R 4916 (B,35,6)	RS1/16SS0R0J	R 5063 (B,25,11)	RS1/16SS0R0J
	R 4918 (A,32,25)	RS1/16SS0R0J	R 5064 (B,32,13)	RS1/16SS0R0J
	R 4934 (B,32,49)	RS1/16SS0R0J	R 5065 (B,30,13)	RS1/16SS560J
D	R 4937 (A,24,12)	RS1/16SS103J	R 5090 (B,57,27)	RS1/16SS0R0J
	R 4938 (A,23,12)	RS1/16SS103J	R 5099 (B,17,28)	RS1/16SS0R0J
	R 4939 (A,22,12)	RS1/16SS103J	R 5100 (B,53,47)	RS1/16SS331J
	R 4941 (B,54,40)	RS1/16SS431J	R 5101 (A,55,43)	RS1/16SS680J
	R 4942 (B,53,44)	RS1/16SS102J	R 5102 (A,18,50)	RS1/16SS680J
■	R 4945 (B,24,37)	RS1/16SS103J	R 5103 (B,21,28)	RS1/16SS560J
	R 4946 (A,27,12)	RS1/16SS102J	R 5104 (A,20,48)	RS1/16SS680J
	R 4954 (A,27,21)	RS1/16SS0R0J	R 5105 (A,20,49)	RS1/16SS680J
	R 4955 (A,29,22)	RS1/16SS0R0J	R 5106 (A,19,50)	RS1/16SS680J
	R 5003 (B,63,27)	RS1/16SS0R0J	R 5107 (B,19,10)	RS1/16SS101J
E	R 5004 (B,64,27)	RS1/16SS0R0J	R 5114 (B,27,28)	RS1/16SS101J
	R 5006 (B,22,13)	RS1/16SS0R0J	R 5115 (B,27,30)	RS1/16SS101J
	R 5007 (B,14,13)	RS1/16SS471J	R 5116 (B,30,28)	RS1/16SS0R0J
	R 5008 (B,27,13)	RS1/16SS151J	R 5117 (B,30,28)	RS1/16SS0R0J
	R 5009 (B,12,13)	RS1/16SS471J	R 5119 (B,24,13)	RS1/16SS101J
■	R 5012 (B,42,13)	RS1/16SS0R0J	R 5121 (B,34,28)	RS1/10SR0R0J
	R 5013 (B,43,13)	RS1/16SS0R0J	R 5122 (B,34,29)	RS1/10SR0R0J
	R 5014 (B,44,13)	RS1/16SS0R0J	R 5125 (A,65,22)	RS1/16SS222J
	R 5015 (B,44,13)	RS1/16SS0R0J	R 5126 (A,65,21)	RS1/16SS222J
	R 5016 (B,45,13)	RS1/16SS0R0J	R 5127 (B,62,11)	RS1/16SS182J
■	R 5017 (A,41,31)	RS1/16SS0R0J	R 5128 (B,63,11)	RS1/16SS182J
	R 5020 (B,23,13)	RS1/16SS560J	R 5129 (B,21,11)	RS1/16SS101J
	R 5021 (B,23,28)	RS1/16SS0R0J	R 5130 (B,36,31)	RS1/16SS103J
	R 5022 (B,24,28)	RS1/16SS0R0J	R 5131 (B,37,28)	RS1/16SS103J
	R 5023 (B,24,28)	RS1/16SS101J	R 5132 (A,10,19)	RS1/16SS0R0J
F	R 5024 (B,24,30)	RS1/16SS121J	R 5315 (A,16,82)	RS1/16SS0R0J
	R 5025 (B,26,28)	RS1/16SS121J	R 5316 (A,16,83)	RS1/16SS0R0J
	R 5026 (B,63,13)	RS1/16SS121J	R 5317 (A,16,84)	RS1/16SS0R0J
	R 5027 (B,62,13)	RS1/16SS680J	R 5318 (A,16,85)	RS1/16SS0R0J
	R 5028 (B,64,13)	RS1/16SS121J	R 5326 (A,64,84)	RS1/16SS0R0J

5		6		7		8	
<u>Circuit Symbol and No.</u>		<u>Part No.</u>		<u>Circuit Symbol and No.</u>		<u>Part No.</u>	
R 5327	(A,64,84)	RS1/16SS0R0J		C 4044	(B,40,46)	CKSSYB104K10	
R 5328	(A,64,83)	RS1/16SS0R0J		C 4045	(B,39,47)	CKSSYB104K10	
R 5329	(A,64,82)	RS1/16SS0R0J		C 4047	(B,49,48)	CKSSYB104K10	A
R 5351	(A,4,15)	RS1/16SS0R0J		C 4048	(B,44,48)	CKSSYB104K10	
R 5352	(A,5,15)	RS1/16SS0R0J		C 4050	(B,41,48)	CKSSYB104K10	
R 5353	(A,6,15)	RS1/16SS0R0J		C 4051	(B,44,42) 22 uF	DCH1256	
R 5354	(A,7,15)	RS1/16SS0R0J		C 4052	(B,43,46) 22 uF	CCG1254	
R 5355	(A,8,15)	RS1/16SS0R0J		C 4053	(B,36,36) 22 uF	CCG1254	
R 5356	(A,9,15)	RS1/16SS0R0J		C 4054	(B,52,33) 10 uF	CCG1192	
R 5357	(A,10,15)	RS1/16SS0R0J		C 4055	(B,50,35)	CKSSYB104K10	
R 5358	(A,11,15)	RS1/16SS0R0J		C 4056	(A,36,14) 10 uF	CCG1192	
R 5359	(A,11,15)	RS1/16SS0R0J		C 4057	(B,35,49) 10 uF	CCG1192	
R 5360	(A,12,15)	RS1/16SS0R0J		C 4058	(B,38,46)	CKSSYB104K10	
R 5361	(A,13,15)	RS1/16SS0R0J		C 4059	(B,47,48)	CKSSYB104K10	B
R 5362	(A,14,15)	RS1/16SS0R0J		C 4062	(B,56,54)	CKSSYB104K10	
R 5376	(A,59,15)	RS1/16SS0R0J		C 4063	(B,54,54)	CKSSYB104K10	
R 5377	(A,58,15)	RS1/16SS0R0J		C 4064	(B,44,36) 10 uF	CCG1192	
R 5378	(A,57,15)	RS1/16SS0R0J		C 4065	(B,37,39)	CKSSYB104K10	
R 5379	(A,56,15)	RS1/16SS0R0J		C 4066	(B,48,40)	CKSSYB104K10	
CAPACITORS				C 4067	(B,48,38)	CKSSYB104K10	
C 4001	(A,51,28)	CCSSCJ3R0C50		C 4068	(B,40,39)	CKSSYB104K10	
C 4002	(A,47,30)	CCSSCH4R0C50		C 4069	(B,41,42) 1 uF	DCH1246	
C 4003	(A,43,30)	CCSSCH180J50		C 4070	(B,45,37)	CKSSYB104K10	
C 4004	(A,43,28)	CCSSCH8R0D50		C 4071	(B,46,34)	CKSSYB104K10	
C 4005	(B,52,36) 10 uF	CCG1192		C 4072	(B,39,32) 10 uF	CCG1192	C
C 4006	(B,50,37)	CKSSYB104K10		C 4073	(B,44,31) 10 uF	CCG1192	
C 4007	(B,52,38) 2.2 uF	CCG1218		C 4075	(B,41,36)	CKSSYB104K10	
C 4008	(B,50,38)	CKSSYB104K10		C 4076	(B,35,41) 10 uF	CCG1192	
C 4009	(B,40,36)	CKSSYB104K10		C 4077	(B,53,49) 10 uF	CCG1192	
C 4010	(B,34,31) 10 uF	CCG1192		C 4078	(B,48,36)	CKSSYB104K10	
C 4011	(B,38,36)	CKSSYB104K10		C 4079	(A,43,25)	CCSSCH101J50	
C 4012	(B,37,36)	CKSSYB104K10		C 4080	(B,52,51)	CKSSYB104K10	
C 4013	(B,44,33) 10 uF	CCG1192		C 4087	(B,43,38) 22 uF	DCH1256	
C 4014	(B,45,34)	CKSSYB104K10		C 4301	(B,59,66)	CKSSYB104K10	
C 4015	(B,45,38)	CKSSYB104K10		C 4302	(A,59,66)	CKSSYB104K10	
C 4016	(B,46,40)	CKSSYB104K10		C 4303	(B,51,63)	CKSSYB104K10	D
C 4017	(B,46,43)	CKSSYB104K10		C 4304	(B,51,65)	CKSSYB104K10	
C 4018	(B,46,44)	CKSSYB104K10		C 4305	(B,50,67)	CKSSYB104K10	
C 4019	(B,44,39)	CKSSYB104K10		C 4306	(A,49,67)	CKSSYB104K10	
C 4020	(B,42,41)	CKSSYB104K10		C 4307	(A,49,69)	CKSSYB104K10	
C 4021	(B,42,42)	CKSSYB104K10		C 4308	(A,49,71)	CKSSYB104K10	
C 4022	(B,42,43)	CKSSYB104K10		C 4309	(B,52,67) 4.7 uF	CCG1201	
C 4023	(B,38,38)	CKSSYB104K10		C 4310	(B,52,70)	CKSSYB104K10	
C 4024	(B,37,41)	CKSSYB104K10		C 4311	(A,59,68)	CKSSYB104K10	
C 4025	(B,38,44)	CKSSYB104K10		C 4312	(B,58,70)	CKSSYB104K10	
C 4026	(B,49,38)	CKSSYB104K10		C 4313	(B,56,71)	CKSSYB104K10	
C 4027	(B,49,40)	CKSSYB104K10		C 4314	(A,59,75)	CKSSYB104K10	E
C 4029	(B,40,41)	CKSSYB104K10		C 4315	(A,59,77)	CKSSYB104K10	
C 4030	(B,47,42) 1 uF	DCH1246		C 4316	(B,59,77)	CKSSYB104K10	
C 4031	(B,40,45)	CKSSYB104K10		C 4317	(B,58,77) 4.7 uF	CCG1201	
C 4034	(B,48,43)	CKSSYB104K10		C 4318	(A,49,75)	CKSSYB104K10	
C 4037	(B,40,38)	CKSSYB104K10		C 4319	(B,50,75)	CKSSYB104K10	
C 4038	(B,39,43) 1 uF	DCH1246		C 4320	(A,49,78)	CKSSYB104K10	
C 4039	(B,36,46)	CKSSYB104K10		C 4321	(B,59,68)	CKSSYB104K10	
C 4040	(B,44,46)	CKSSYB104K10		C 4322	(B,59,70)	CKSSYB104K10	
C 4041	(B,36,44)	CKSSYB104K10		C 4323	(B,56,73)	CKSSYB104K10	
C 4042	(B,48,46)	CKSSYB104K10		C 4324	(B,59,75)	CKSSYB104K10	F
C 4043	(B,46,46)	CKSSYB104K10		C 4325	(A,41,66)	CKSSYB104K10	
				C 4326	(B,40,66)	CKSSYB104K10	
				C 4327	(B,33,63)	CKSSYB104K10	

	1	2	3	4
	<u>Circuit Symbol and No.</u>	<u>Part No.</u>	<u>Circuit Symbol and No.</u>	<u>Part No.</u>
	C 4328 (B,33,64)	CKSSYB104K10	C 4429 (A,26,63) 1 uF	DCH1246
	C 4329 (A,30,67)	CKSSYB104K10	C 4430 (A,26,64)	CKSSYB104K10
A	C 4330 (B,30,67)	CKSSYB104K10	C 4431 (A,17,60)	CKSSYB103K16
	C 4331 (A,30,69)	CKSSYB104K10	C 4432 (A,26,65)	CKSSYB103K16
	C 4332 (A,30,71)	CKSSYB104K10	C 4433 (B,26,58)	CKSSYB471K50
	C 4333 (B,28,69) 4.7 uF	CCG1201	C 4435 (A,22,67)	CKSSYB104K10
	C 4334 (B,33,71)	CKSSYB104K10	C 4436 (A,23,67) 10 uF	CCG1192
	C 4335 (A,41,68)	CKSSYB104K10	C 4437 (A,22,63)	CKSSYB104K10
	C 4336 (A,41,70)	CKSSYB104K10	C 4438 (A,24,63) 10 uF	CCG1192
	C 4337 (B,38,71)	CKSSYB104K10	C 4439 (B,26,59)	CKSSYB103K16
	C 4338 (B,50,69)	CKSSYB104K10	C 4501 (B,11,45)	CKSSYB104K10
	C 4339 (B,50,71)	CKSSYB104K10	C 4502 (B,5,40)	CKSSYB104K10
	C 4340 (A,43,71)	CKSSYB104K10	C 4503 (B,4,38)	CKSSYB104K10
B	C 4341 (B,52,75)	CKSSYB104K10	C 4504 (B,11,33)	CKSSYB103K16
	C 4342 (B,50,78)	CKSSYB104K10	C 4505 (B,14,33)	CKSSYB103K16
	C 4343 (B,40,68)	CKSSYB104K10	C 4506 (B,13,31) 10 uF	CCG1192
	C 4344 (B,39,70)	CKSSYB104K10	C 4507 (B,13,32)	CKSSYB103K16
	C 4345 (B,33,75)	CKSSYB104K10	C 4508 (B,18,37)	CKSSYB103K16
	C 4346 (B,30,75)	CKSSYB104K10	C 4509 (B,8,32) 10 uF	CCG1192
	C 4347 (A,30,75)	CKSSYB104K10	C 4510 (B,15,44)	CKSSYB102K50
	C 4348 (A,30,77)	CKSSYB104K10	C 4511 (B,6,44) 10 uF	CCG1192
	C 4349 (A,41,75)	CKSSYB104K10	C 4516 (B,17,40)	CCSSCH101J50
	C 4350 (A,41,77)	CKSSYB104K10	C 4704 (B,67,58)	CKSSYB105K10
	C 4351 (B,40,77)	CKSSYB104K10	C 4706 (B,65,64)	CCSSCH470J50
C	C 4352 (B,38,76) 4.7 uF	CCG1201	C 4707 (B,64,64)	CKSSYB471K50
	C 4353 (A,61,71)	CKSSYB104K10	C 4708 (A,71,64) 47 uF	CCG1229
	C 4354 (B,40,75)	CKSSYB104K10	C 4709 (A,68,64) 100 uF	CCG1232
	C 4355 (B,30,69)	CKSSYB104K10	C 4711 (B,64,62)	CCSSCH220J50
	C 4356 (B,51,75)	CKSSYB104K10	C 4712 (B,73,63)	CKSSYB103K16
	C 4357 (B,39,81)	CKSSYB103K16	C 4722 (B,63,37)	CKSSYB105K10
	C 4358 (B,57,81)	CKSSYB103K16	C 4723 (B,71,39)	CKSSYB103K16
	C 4361 (B,30,71)	CKSSYB104K10	C 4724 (B,70,39)	CCSSCH470J50
	C 4362 (B,33,72)	CKSSYB104K10	C 4725 (B,70,40)	CKSSYB471K50
	C 4363 (B,30,77)	CKSSYB104K10	C 4726 (A,69,33) 47 uF	CCG1229
	C 4364 (B,38,73)	CKSSYB104K10	C 4727 (A,70,36) 100 uF	CCG1232
D	C 4381 (A,26,73)	CKSSYB104K10	C 4729 (B,67,40)	CCSSCH220J50
	C 4382 (A,25,71)	CKSSYB104K10	C 4730 (B,68,31)	CKSSYB103K16
	C 4401 (A,9,48)	CKSSYB471K50	C 4742 (B,65,46)	CKSSYB105K10
	C 4402 (A,5,71)	CKSSYB104K10	C 4744 (B,64,52)	CCSSCH470J50
	C 4403 (A,9,71)	CKSSYB103K16	C 4745 (B,62,52)	CKSSYB471K50
	C 4404 (B,30,52)	CCSSCH8R0D50	C 4746 (A,70,52) 47 uF	CCG1229
	C 4405 (B,29,57)	CCSSCH8R0D50	C 4747 (A,67,52) 100 uF	CCG1232
	C 4406 (B,22,58)	CKSSYB103K16	C 4749 (B,62,49)	CCSSCH220J50
	C 4412 (A,22,65)	CKSSYB103K16	C 4750 (B,71,51)	CKSSYB103K16
	C 4413 (A,19,68)	CKSSYB103K16	C 4766 (A,35,17) 4.7 uF	CCG1201
	C 4414 (A,19,65)	CKSSYB103K16	C 4767 (A,33,17) 4.7 uF	CCG1201
E	C 4415 (A,20,64)	CKSSYB103K16	C 4768 (A,26,16)	CKSSYB473K16
	C 4416 (A,20,67)	CKSSYB103K16	C 4776 (A,65,23)	CKSSYB104K10
	C 4417 (A,19,63)	CKSSYB103K16	C 4778 (A,27,25)	CKSSYB473K16
	C 4418 (A,17,63)	CKSSYB103K16	C 4790 (A,47,22)	CCSSCH101J50
	C 4419 (A,17,64)	CKSSYB103K16	C 4791 (A,45,23)	CKSSYB104K10
	C 4420 (A,17,65)	CKSSYB103K16	C 4792 (A,44,18)	CKSSYB104K10
	C 4421 (A,17,66)	CKSSYB103K16	C 4793 (A,49,19)	CKSSYB222K50
	C 4422 (A,19,67)	CKSSYB103K16	C 4794 (A,42,15)	CKSSYB104K10
	C 4423 (A,26,65)	CKSSYB103K16	C 4796 (A,19,59) 4.7 uF	CCG1201
	C 4424 (B,26,65)	CKSSYB103K16	C 4797 (A,20,56) 4.7 uF	CCG1201
F	C 4425 (A,25,67)	CKSSYB103K16	C 4798 (A,43,22)	CKSSYB104K10
	C 4426 (A,18,67)	CKSSYB103K16	C 4799 (A,49,25)	CCSSCH101J50
	C 4427 (A,17,60)	CKSSYB104K10	C 4800 (A,27,60)	CKSSYB473K16
	C 4428 (A,17,59) 1 uF	DCH1246	C 4901 (A,40,23) 1 uF	DCH1246

5		6		7		8	
<u>Circuit Symbol and No.</u>		<u>Part No.</u>		<u>Circuit Symbol and No.</u>		<u>Part No.</u>	
C 4902	(B,58,43)	CKSSYB104K10		L 2823	(A,67,51) Chip Solid Inductor	XTL3010	
C 4903	(A,67,24)	CKSSYB104K10		L 2829	(A,73,56) Chip Ferrite Bead	BTX1047	
C 4904	(A,65,25)	CKSSYB102K50		L 2830	(B,73,41) Chip Beads	VTL1127	
C 4914	(B,59,45)	CKSSYB103K16		L 2831	(B,72,41) Chip Beads	VTL1127	A
C 4915	(A,31,25)	CKSSYB104K10		L 2832	(B,72,35) Chip Beads	VTL1127	
C 4933	(A,56,35)	CCSSCH101J50		L 2833	(B,71,37) Chip Beads	VTL1127	
C 5001	(A,73,21) 22 uF	DCH1256		L 2834	(B,70,37) Chip Beads	VTL1127	
C 5003	(A,67,16) 22 uF	DCH1256		L 2835	(B,69,38) Chip Beads	VTL1127	
C 5007	(B,40,11)	CKSRYB102K50		L 3001	(A,41,45) Inductor	CTF1734	



Unit Number : CWN9924(A,C,E)

Unit Number : CWN9925(B,D,F,G)

Unit Name : Monitor Unit

MISCELLANEOUS

IC 2701	(A,102,46) Interface IC(B,D,F,G)	AK4187VN		L 3011	(A,49,49) Inductor	CTF1734	
IC 2801	(B,36,69) Regulator IC	MM3411A15N		L 3012	(A,41,55) Inductor	CTF1734	
IC 2802	(B,36,75) Regulator IC	MM3411A25N		L 3013	(A,42,44) Inductor	CTF1734	
IC 2803	(B,68,48) Interface IC	BU90R104		L 3014	(A,42,43) Inductor	CTF1734	
IC 2804	(B,57,74) Regulator IC(A,C,E)	MM3411A33N		L 3015	(A,41,41) Inductor	CTF1734	
IC 3001	(A,32,51) Display IC	TC90193ASBG		L 3016	(A,40,41) Inductor	CTF1734	
IC 3101	(A,107,72) Driver IC	BD81A04EFV-M		L 3017	(A,39,41) Inductor	CTF1734	C
IC 3201	(A,105,17) DC/DC Converter IC	R1290K103A		L 3018	(A,37,42) Inductor	CTF1734	
Q 2701	(B,110,47) Chip Transistor	HN1C01FU		L 3019	(A,36,42) Inductor	CTF1734	
Q 2702	(B,113,52) Bipolar Transistor	LSCR523UB		L 3020	(A,35,42) Inductor	CTF1734	
Q 3001	(B,19,41) Bipolar Transistor	LSAR523UB		L 3021	(A,31,43) Inductor	CTF1740	
Q 3002	(A,18,39) Bipolar Transistor	LSCR523UB		L 3022	(A,30,43) Inductor	CTF1734	
Q 3201	(A,108,26) Transistor	2SAR502UB		L 3023	(A,29,41) Inductor	CTF1734	
Q 3202	(A,111,13) Transistor	LTC024EEB		L 3024	(A,28,41) Inductor	CTF1734	
Q 3301	(A,58,16) Bipolar Transistor	LSAR523UB		L 3025	(B,11,44) Inductor	CTF1545	
D 3101	(A,107,60) Diode	RB060M-30		L 3104	(A,106,65) Inductor	CTF1545	
D 3201	(B,107,16) Schottky Diode	DB3S308F0		L 3105	(A,100,62) SMD Inductor	CTH1558	
D 3202	(B,102,23) Schottky Diode	DB3S308F0		L 3201	(A,103,23) Choke Coil 22 uH	CTH1426	D
D 3203	(B,104,23) Schottky Diode	DB3S308F0		L 3301	(A,69,19) Inductor	ATL7054	
D 3204	(A,96,22) Schottky Diode	RB162M-40		L 3302	(B,43,35) Inductor	CTF1635	
L 2801	(B,68,37) Chip Beads	VTL1127		TH3301	(A,132,20) Thermistor	CCX1084	
L 2802	(B,67,37) Chip Beads	VTL1127		X 3001	(A,18,48) Resonator 27.000 MHz	CSS1768	
L 2803	(B,65,36) Chip Beads	VTL1127		CN2704	(A,59,68) Connector	CKS6646	
L 2804	(B,63,36) Chip Beads	VTL1127		CN2705	(A,123,17) Connector(B,D,F,G)	CKS6625	
L 2805	(B,65,37) Chip Beads	VTL1127		CN2706	(A,82,25) Connector(A,C,E)	CKS6589	
L 2806	(B,63,38) Chip Beads	VTL1127		CN2707	(A,141,16) Connector	CKS6635	
L 2807	(B,61,41) Chip Beads	VTL1127		CN3301	(A,35,31) Connector	CKS6602	
L 2808	(B,65,40) Chip Beads	VTL1127		CN3302	(A,121,41) Connector	DKN1361	
L 2809	(B,60,43) Chip Beads	VTL1127					E
L 2810	(B,60,44) Chip Beads	VTL1127					
L 2811	(B,60,45) Chip Beads	VTL1127					
L 2812	(B,60,46) Chip Beads	VTL1127					
L 2813	(B,58,48) Chip Beads	VTL1127					
L 2814	(B,58,49) Chip Beads	VTL1127					
L 2815	(B,58,50) Chip Beads	VTL1127					
L 2816	(B,58,51) Chip Beads	VTL1127					
L 2817	(B,58,52) Chip Beads	VTL1127					
L 2818	(B,58,53) Chip Beads	VTL1127					
L 2819	(B,58,54) Chip Beads	VTL1127					
L 2820	(B,58,55) Chip Beads	VTL1127					
L 2821	(B,58,56) Chip Beads	VTL1127					
L 2822	(A,73,53) Chip Solid Inductor	XTL3010					

RESISTORS

R 2704	(A,99,55)	RS1/16SS471J
R 2705	(A,99,56)	RS1/16SS471J
R 2706	(A,99,57)	RS1/16SS471J
R 2715	(A,101,40) (B,D,F,G)	RS1/16SS0R0J
R 2716	(A,102,40) (B,D,F,G)	RS1/16SS0R0J
R 2717	(A,101,42) (B,D,F,G)	RS1/16SS621J
R 2718	(A,102,42) (B,D,F,G)	RS1/16SS181J
R 2719	(A,100,43) (B,D,F,G)	RS1/16SS201J
R 2720	(A,104,43) (B,D,F,G)	RS1/16SS620J
R 2724	(A,99,48) (B,D,F,G)	RS1/16SS121J
R 2725	(A,103,50) (B,D,F,G)	RS1/16SS0R0J

	1	2	3	4
	<u>Circuit Symbol and No.</u>	<u>Part No.</u>	<u>Circuit Symbol and No.</u>	<u>Part No.</u>
	R 2726 (A,105,49) (B,D,F,G)	RS1/16SS0R0J	R 3001 (A,44,43)	RS1/16SS151J
	R 2727 (A,77,29) (A,C,E)	RS1/16SS0R0J	R 3002 (A,44,45)	RS1/16SS151J
	R 2728 (A,90,25) (A,C,E)	RS1/16SS0R0J	R 3003 (A,44,46)	RS1/16SS151J
A	R 2729 (A,86,30) (A,C,E)	RS1/16SS121J	R 3004 (A,45,46)	RS1/16SS151J
	R 2730 (A,88,26) (A,C,E)	RS1/16SS0R0J	R 3005 (A,44,49)	RS1/16SS151J
	R 2731 (A,85,29) (A,C,E)	RS1/16SS0R0J	R 3006 (A,44,50)	RS1/16SS151J
	R 2733 (B,115,52)	RS1/16SS180J	R 3007 (A,46,43)	RS1/16SS151J
	R 2734 (B,116,52)	RS1/16SS180J	R 3008 (A,47,42)	RS1/16SS151J
	R 2735 (B,117,52)	RS1/16SS220J	R 3009 (A,48,47)	RS1/16SS151J
	R 2736 (B,111,44)	RS1/16SS620J	R 3010 (A,48,42)	RS1/16SS151J
	R 2737 (B,112,44)	RS1/16SS620J	R 3011 (A,49,45)	RS1/16SS151J
	R 2739 (B,109,50)	RS1/16SS150J	R 3012 (A,43,55)	RS1/16SS151J
	R 2740 (B,108,50)	RS1/16SS150J	R 3017 (A,42,57)	RS1/16SS472J
	R 2741 (B,108,48)	RS1/16SS180J	R 3018 (A,41,58)	RS1/16SS472J
B	R 2785 (A,117,52)	RS1/16SS0R0J	R 3019 (A,41,60)	RS1/16SS472J
	R 2786 (A,117,51)	RS1/16SS0R0J	R 3022 (A,43,43)	RS1/16SS151J
	R 2787 (A,117,50)	RS1/16SS0R0J	R 3023 (A,42,41)	RS1/16SS151J
	R 2788 (A,117,49)	RS1/16SS0R0J	R 3024 (A,41,40)	RS1/16SS151J
	R 2791 (A,115,59)	RS1/10SR0R0J	R 3025 (A,40,40)	RS1/16SS151J
	R 2801 (B,67,36)	RS1/16SS221J	R 3026 (A,39,40)	RS1/16SS151J
	R 2802 (B,59,36)	RS1/16SS221J	R 3028 (A,37,40)	RS1/16SS151J
	R 2803 (B,61,36)	RS1/16SS221J	R 3029 (A,36,40)	RS1/16SS151J
	R 2804 (B,60,37)	RS1/16SS221J	R 3031 (A,35,40)	RS1/16SS151J
	R 2805 (B,62,37)	RS1/16SS221J	R 3038 (A,31,41)	RS1/16SS680J
C	R 2806 (B,60,38)	RS1/16SS221J	R 3040 (A,30,37)	RS1/16SS470J
	R 2807 (B,59,42)	RS1/16SS221J	R 3041 (A,29,39)	RS1/16SS470J
	R 2808 (B,62,40)	RS1/16SS221J	R 3042 (B,13,56)	RS1/16SS0R0J
	R 2809 (B,59,43)	RS1/16SS221J	R 3043 (A,28,39)	RS1/16SS151J
	R 2810 (B,58,44)	RS1/16SS221J	R 3044 (B,21,57)	RS1/16SS472J
	R 2811 (B,58,45)	RS1/16SS221J	R 3047 (B,15,41)	RS1/16SS912J
	R 2812 (B,57,46)	RS1/16SS221J	R 3048 (B,23,60)	RS1/16SS472J
	R 2813 (B,56,48)	RS1/16SS221J	R 3049 (B,15,42)	RS1/16SS103J
	R 2814 (B,56,49)	RS1/16SS221J	R 3050 (B,17,40)	RS1/16SS103J
	R 2815 (B,56,50)	RS1/16SS221J	R 3051 (B,16,42)	RS1/16SS391J
D	R 2816 (B,56,51)	RS1/16SS221J	R 3053 (A,23,62)	RS1/16SS472J
	R 2817 (B,56,52)	RS1/16SS221J	R 3054 (A,25,62)	RS1/16SS472J
	R 2818 (B,56,53)	RS1/16SS221J	R 3055 (A,24,62)	RS1/16SS472J
	R 2819 (B,56,54)	RS1/16SS221J	R 3056 (A,17,52)	RS1/16SS472J
	R 2820 (B,56,55)	RS1/16SS221J	R 3057 (A,17,53)	RS1/16SS472J
	R 2821 (B,56,56)	RS1/16SS221J	R 3058 (B,20,55)	RS1/16SS472J
	R 2822 (B,76,49)	RS1/16SS103J	R 3059 (A,17,54)	RS1/16SS472J
	R 2824 (B,69,56)	RS1/16SS1000D	R 3060 (A,22,62)	RS1/16SS472J
	R 2825 (B,67,57)	RS1/16SS1000D	R 3061 (A,19,59)	RS1/16SS472J
	R 2826 (B,66,56)	RS1/16SS1000D	R 3064 (A,21,49)	RS1/16SS105J
	R 2827 (B,64,57)	RS1/16SS1000D	R 3065 (A,19,51)	RS1/16SS471J
	R 2828 (B,63,56)	RS1/16SS1000D	R 3073 (B,27,48)	RS1/16SS0R0J
E	R 2834 (B,73,39)	RS1/16SS221J	R 3074 (A,22,42)	RS1/16SS152J
	R 2835 (B,72,39)	RS1/16SS221J	R 3077 (A,17,55)	RS1/16SS470J
	R 2836 (B,70,34)	RS1/16SS221J	R 3078 (A,17,58)	RS1/16SS273J
	R 2837 (B,70,35)	RS1/16SS221J	R 3079 (A,18,57)	RS1/16SS470J
	R 2838 (B,69,35)	RS1/16SS221J	R 3080 (A,20,62)	RS1/16SS470J
	R 2839 (B,68,36)	RS1/16SS221J	R 3081 (A,21,62)	RS1/16SS470J
	R 2857 (B,77,49)	RS1/16SS103J	R 3083 (A,17,42)	RS1/16SS122J
	R 2858 (B,80,48)	RS1/16SS103J	R 3089 (B,14,47)	RS1/10SR0R0J
	R 2859 (B,76,52)	RS1/16SS103J	R 3091 (A,18,59)	RS1/16SS472J
	R 2861 (B,63,75) (B,D,F,G)	RS1/16SS0R0J	R 3094 (A,19,56)	RS1/16SS472J
F	R 2862 (B,66,75) (A,C,E)	RS1/16SS0R0J	R 3095 (A,16,59)	RS1/16SS273J
	R 2863 (B,62,73) (A,C,E)	RS1/10SR0R0J	R 3100 (B,27,70)	RS1/16SS0R0J
	R 2864 (B,53,71) (A,C,E)	RS1/10SR0R0J	R 3103 (B,108,67)	RS1/16SS104J
	R 2865 (B,80,49)	RS1/16SS221J	R 3104 (B,107,67)	RS1/16SS154J

5		6		7		8	
<u>Circuit Symbol and No.</u>		<u>Part No.</u>		<u>Circuit Symbol and No.</u>		<u>Part No.</u>	
R 3105	(A,109,77)	RS1/16SS273J		C 2705	(A,97,45) 10 uF(B,D,F,G)	DCH1201	
R 3106	(A,110,77)	RS1/16SS511J		C 2706	(A,99,45) (B,D,F,G)	CKSSYB104K10	
R 3108	(B,99,68)	RS1/16SS1203D		C 2707	(A,101,49) (B,D,F,G)	CKSSYB104K10	A
R 3110	(B,97,68)	RS1/16SS1003D		C 2708	(A,100,50) 10 uF(B,D,F,G)	DCH1201	
R 3116	(A,123,63)	RS1/16SS3603D		C 2709	(B,82,29) (A,C,E)	CKSSYB104K10	
R 3117	(A,123,65)	RS1/16SS2402D					
R 3120	(A,123,73)	RS1/16SS0R0J		C 2803	(A,58,47)	CKSSYB104K10	
R 3121	(A,123,74)	RS1/16SS0R0J		C 2804	(B,58,47)	CKSSYB103K16	
R 3202	(A,102,15)	RS1/16SS103J		C 2805	(B,60,54)	CKSSYB103K16	
				C 2806	(A,62,53)	CKSSYB104K10	
R 3203	(B,104,16)	RS1/10SR9102D		C 2807	(B,73,56)	CKSSYB103K16	
R 3204	(B,104,19)	RS1/10SR1802D					
R 3205	(B,103,14)	RS1/16SS203J		C 2808	(B,74,56)	CKSSYB104K10	
R 3206	(B,102,14)	RS1/16SS104J		C 2809	(A,64,53)	CKSSYB104K10	
R 3207	(A,106,24)	RS1/16SS103J		C 2810	(A,64,52)	CKSSYB103K16	
				C 2814	(A,66,53)	CKSSYB103K16	
R 3208	(A,107,12)	RS1/16SS472J		C 2816	(A,71,53) 10 uF	DCH1201	B
R 3209	(B,106,24)	RS1/10SR1003D					
R 3210	(B,107,28)	RS1/10SR9101D		C 2819	(B,40,70)	CKSRYP105K10	
R 3211	(A,108,13)	RS1/16SS6800D		C 2820	(B,40,76)	CKSRYP105K10	
R 3212	(A,109,13)	RS1/16SS1502D		C 2821	(B,33,75)	CKSRYP105K10	
				C 2822	(B,33,70)	CKSRYP105K10	
				C 2823	(B,68,39)	CKSSYB104K10	
R 3213	(A,110,14)	RS1/16SS8201D					
R 3214	(A,99,23)	RS1/10SR2R2J		C 2824	(B,68,40)	CKSSYB103K16	
R 3216	(A,100,13)	RS1/10SR1203D		C 2825	(B,78,48)	CKSSYB103K16	
R 3217	(A,103,13)	RS1/10SR3001D		C 2826	(B,77,48)	CKSSYB104K10	
R 3218	(A,103,10)	RS1/10SR1502D		C 2828	(B,54,73) (A,B,E)	CKSSYB104K10	
				C 2829	(B,60,74) (A,B,E)	CKSRYP474K10	C
R 3219	(A,100,12)	RS1/10SR472J					
R 3301	(A,56,28)	RS1/10SR4R7J		C 2830	(B,80,50)	CKSQYB225K10	
R 3302	(A,54,33)	RS1/10SR56R0D		C 3002	(A,41,47)	CKSSYB104K10	
R 3303	(A,56,35)	RS1/10SR1800D		C 3003	(A,41,49)	CKSSYB104K10	
R 3304	(A,59,34)	RS1/10SR2R2J		C 3004	(A,41,52)	CKSSYB104K10	
				C 3005	(A,41,53)	CKSSYB104K10	
R 3305	(A,60,28)	RS1/10SR47R0D					
R 3306	(A,61,31)	RS1/10SR0R0J		C 3006	(A,42,56)	CKSSYB104K10	
R 3307	(A,64,28)	RS1/10SR39R0D		C 3007	(A,38,42)	CKSSYB104K10	
R 3308	(A,64,31)	RS1/10SR4R7J		C 3008	(A,36,61)	CKSSYB104K10	
R 3309	(A,67,28)	RS1/10SR1000D		C 3010	(A,34,43)	CKSSYB104K10	
				C 3011	(A,33,60)	CKSSYB104K10	
R 3310	(A,68,31)	RS1/10SR8R2J					
R 3311	(A,71,28)	RS1/10SR1300D		C 3013	(A,33,42)	CKSSYB104K10	D
R 3312	(A,71,31)	RS1/10SR0R0J		C 3014	(A,32,60)	CKSSYB104K10	
R 3313	(A,69,25)	RS1/10SR1000D		C 3015	(A,30,40)	CCSSCH470J50	
R 3314	(A,68,23)	RS1/10SR8R2J		C 3019	(B,13,42) 10 uF	CCG1192	
				C 3021	(A,28,43)	CKSSYB104K10	
R 3315	(A,66,25)	RS1/10SR39R0D					
R 3316	(A,65,23)	RS1/10SR4R7J		C 3022	(A,29,60)	CKSSYB104K10	
R 3317	(A,62,25)	RS1/10SR47R0D		C 3023	(B,17,44)	CKSSYB104K10	
R 3318	(A,61,23)	RS1/10SR0R0J		C 3024	(A,24,40)	CKSSYB104K10	
R 3319	(A,59,25)	RS1/10SR1800D		C 3025	(A,22,40)	CKSRYP474K10	
				C 3026	(A,24,41)	CKSSYB104K10	
R 3320	(A,58,23)	RS1/10SR2R2J					
R 3321	(A,56,23)	RS1/10SR33R0D		C 3027	(A,23,52)	CKSSYB104K10	E
R 3322	(A,56,26)	RS1/10SR2R4J		C 3028	(A,22,54)	CKSSYB104K10	
R 3323	(B,32,31)	RS1/16SS473J		C 3029	(A,23,57)	CKSSYB104K10	
R 3324	(A,24,37)	RS1/16SS473J		C 3030	(A,20,44)	CKSSYB152K50	
				C 3031	(A,25,42)	CKSSYB104K10	
R 3327	(A,28,37)	RS1/16SS473J					
R 3328	(A,29,37)	RS1/16SS473J		C 3032	(A,23,43)	CKSSYB104K10	
R 3330	(A,55,20)	RS1/16SS472J		C 3033	(A,23,46)	CKSSYB104K10	
R 3332	(A,56,17)	RS1/16SS105J		C 3037	(A,21,47)	CCSSCH120J50	
R 3333	(A,60,19)	RS1/16SS682J		C 3038	(A,23,47)	CKSSYB103K16	
				C 3040	(A,19,42)	CCSSCH4R0C50	
R 3334	(A,60,18)	RS1/16SS0R0J					
R 3336	(A,62,15)	RS1/16SS101J		C 3041	(A,18,51)	CCSSCH120J50	F
R 3339	(A,62,16)	RS1/16SS0R0J		C 3042	(A,26,73) 4.7 uF	CCG1201	
R 3344	(A,133,16)	RS1/16SS183J		C 3043	(A,22,48)	CKSSYB104K10	
				C 3044	(A,17,59)	CKSSYB103K16	
				C 3046	(B,11,45)	CKSSYB104K10	

CAPACITORS

	1	2
	<u>Circuit Symbol and No.</u>	<u>Part No.</u>
	C 3101 (A,115,72) 10 uF	CCG1236
	C 3102 (A,113,74)	CKSSYB104K16
A	C 3103 (A,110,79)	CKSSYB104K10
	C 3104 (A,111,77)	CKSSYB104K10
	C 3107 (A,109,67) 2.2 uF	CCG1218
	C 3109 (A,111,63) 10 uF	CCG1236
	C 3110 (A,114,63) 10 uF	CCG1236
	C 3111 (A,116,63) 10 uF	CCG1236
	C 3201 (A,102,17)	CKSSYB102K50
	C 3202 (B,105,16)	CKSRYB105K16
	C 3203 (B,102,17) 1 uF	DCH1246
	C 3205 (B,103,29)	CKSQYB105K25
	C 3206 (B,106,29)	CKSQYB105K25
B	C 3208 (B,109,16)	CKSRYB104K50
	C 3209 (B,103,21)	CKSRYB104K50
	C 3210 (B,104,21)	CKSRYB104K50
	C 3211 (A,109,9)	CKSSYB224K6R3
	C 3212 (A,108,9)	CKSSYB224K6R3
	C 3214 (A,107,9) 1 uF	DCH1246
	C 3215 (A,112,21)	CKSYB475K16
	C 3216 (A,106,10)	CKSRYB682K50
	C 3217 (A,100,26) 4.7 uF	CCG1201
	C 3218 (B,106,26)	CCSRCH561J50
	C 3219 (A,110,15)	CCSSCH101J50
C	C 3220 (A,97,24)	CKSRYB222K50
	C 3221 (A,111,18)	CKSRYB224K16
	C 3222 (A,97,20)	CKSYB475K16
	C 3223 (A,97,17)	CKSYB475K16
	C 3224 (A,103,12)	CCSRCH471J50
	C 3309 (A,69,30)	CKSSYB102K50
	C 3310 (A,69,31)	CKSSYB104K10
	C 3311 (A,70,24)	CKSSYB102K50
	C 3312 (A,70,23)	CKSSYB104K10
	C 3321 (B,33,34)	CKSSYB102K50
	C 3322 (B,34,34)	CKSSYB104K16
D	C 3323 (B,37,35) 10 uF/16 V	DCH1263
	C 3326 (B,48,35)	CKSSYB102K50
	C 3328 (B,30,33)	CKSSYB102K50
	C 3329 (B,30,34)	CKSSYB104K10
	C 3330 (B,30,37) 10 uF	DCH1201
	C 3333 (B,25,34)	CKSSYB104K16
	C 3334 (B,28,34) 4.7 uF	CCG1201
	C 3336 (B,28,30)	CKSQYB225K16
	C 3338 (B,18,31)	CKSQYB334K50
	C 3342 (A,19,36)	CKSSYB104K10
E	C 3343 (A,57,17)	CKSSYB104K10
	C 3344 (A,66,18) 10 uF	CCG1236
	C 3345 (A,132,16)	CKSSYB104K10
	C 3346 (A,132,18)	CKSSYB104K10

F
Unit Number : CXX8723
Unit Name : Key Unit(Service)

MISCELLANEOUS

F	D 3551 (A,14,5) LED	SMLVN6RGB2UK(B)
	D 3552 (A,152,5) LED	SMLVN6RGB2UK(B)
	S 3551 (A,99,5) Push Switch	CSG1196
	S 3552 (A,115,5) Push Switch	CSG1196

	3	4
	<u>Circuit Symbol and No.</u>	<u>Part No.</u>
	S 3553 (A,133,5) Push Switch	CSG1196
	S 3554 (A,142,5) Push Switch	CSG1196
	S 3555 (A,30,5) Push Switch	CSG1196
	S 3556 (A,50,5) Push Switch	CSG1196
	S 3557 (A,67,5) Push Switch	CSG1196
	S 3558 (A,82,5) Push Switch	CSG1196
	S 3559 (A,158,5) Push Switch	CSG1196
	U 3551 (A,8,5) Remote Receiver Unit	RS-470
	CN3551 (A,22,6) Connector	CKS6421

RESISTORS

R 3551 (A,94,4)	RS1/16SS182J
R 3552 (A,111,5)	RS1/16SS222J
R 3553 (A,128,4)	RS1/16SS472J
R 3554 (A,138,3)	RS1/16SS123J
R 3555 (A,45,4)	RS1/16SS182J
R 3556 (A,63,4)	RS1/16SS222J
R 3557 (A,77,4)	RS1/16SS472J
R 3558 (A,138,6)	RS1/16SS390J
R 3559 (A,33,6)	RS1/16SS390J
R 3560 (A,35,6)	RS1/16SS150J
R 3561 (A,36,6)	RS1/16SS620J
R 3562 (A,136,4)	RS1/16SS150J
R 3563 (A,137,5)	RS1/16SS620J
R 3565 (A,16,8)	RS1/16SS470J

CAPACITORS

C 3557 (A,12,7)	CKSSYB104K10
-----------------	--------------

G
Unit Number : CWX4712
Unit Name : Sensor Unit

MISCELLANEOUS

IC 401 (A,21,17) IC	UBX-G6010-ST
IC 402 (A,36,16) Sensor	S-5851AAA-I6U
IC 403 (B,23,15) IC	R5S726A0D216FP
IC 404 (A,7,18) Flash ROM Unit	CWW9799
IC 405 (B,6,7) IC	S-80827CNMC-B8M
IC 406 (A,6,7) Regulator IC	S-1206B1C-I6U
D 402 (B,7,22) Diode	DA2J101
L 401 (A,25,11) Inductor	LCYB10NJ1005
L 402 (A,16,12) SMD Ferrite Bead	CTF1806
L 403 (A,32,21) Chip Ferrite Bead	OTL8019
L 404 (A,38,14) Chip Ferrite Bead	OTL8019
L 405 (A,39,13) Chip Ferrite Bead	OTL8019
L 406 (A,10,8) Chip Ferrite Bead	OTL8019
L 407 (A,15,9) Chip Ferrite Bead	OTL8019
X 401 (A,13,13) Crystal Oscillator 26 MHz	CWX4552
X 402 (A,29,18) Resonator 32.768 kHz	CSS1807
X 403 (B,8,17) Crystal Resonator 10 MHz	CSS1799
F 401 (A,29,14) Filter	CTF1830
GY401 (A,34,10) Sensor(Gyro Sensor)	CSX1209
GY402 (A,35,21) Sensor(G Sensor)	CSX1210
CN401 (A,20,5) Connector	CKS5204

RESISTORS

5		6		7		8	
<u>Circuit Symbol and No.</u>		<u>Part No.</u>		<u>Circuit Symbol and No.</u>		<u>Part No.</u>	
R 401	(A,14,16)	RS1/16SS0R0J		C 410	(A,23,11) 1 uF	DCH1246	
R 404	(A,37,18)	RS1/16SS221J		C 411	(A,23,10) 1 uF	DCH1246	
R 405	(A,33,24)	RS1/16SS101J		C 412	(A,34,5)	CKSSYB104K10	A
R 407	(A,34,16)	RS1/16SS221J		C 413	(A,33,19) 1 uF	DCH1246	
R 408	(A,38,10)	RS1/16SS101J		C 414	(A,35,5) 1 uF	DCH1246	
R 409	(A,26,12)	RS1/16SS473J		C 415	(A,36,14)	CKSSYB104K10	
R 410	(A,15,16)	RS1/16SS101J		C 416	(A,36,6)	CKSSYB104K10	
R 411	(A,27,16)	RS1/16SS105J		C 417	(A,38,19)	CKSSYB104K10	
R 412	(A,20,23)	RS1/16SS0R0J		C 418	(A,16,13) 1 uF	DCH1246	
R 413	(A,29,22)	RS1/10SR101J		C 419	(A,27,15)	CKSSYB104K10	
R 414	(A,19,24)	RS1/16SS103J		C 420	(A,31,17)	CCSSCH120J50	
R 415	(A,21,23)	RS1/16SS0R0J		C 421	(A,31,19)	CCSSCH100D50	
R 416	(A,22,23)	RS1/16SS101J		C 422	(A,27,18) 1 uF	DCH1246	
R 417	(B,36,19)	RS1/16SS103J		C 423	(A,15,18) 2.2 uF	CCG1205	
R 418	(B,35,18)	RS1/16SS103J		C 424	(A,15,19) 1 uF	DCH1246	B
R 420	(B,34,21)	RS1/16SS101J		C 425	(A,16,21) 1 uF	DCH1246	
R 421	(B,34,20)	RS1/16SS151J		C 426	(A,17,22) 1 uF	DCH1246	
R 422	(B,32,3)	RS1/16SS101J		C 427	(A,19,23) 1 uF	DCH1246	
R 423	(A,10,24)	RS1/16SS473J		C 428	(A,24,23) 2.2 uF	CCG1205	
R 424	(A,8,24)	RS1/16SS473J		C 429	(A,26,21) 1 uF	DCH1246	
R 425	(A,6,24)	RS1/16SS473J		C 431	(B,34,17)	CKSSYB104K10	
R 426	(A,8,11)	RS1/16SS101J		C 432	(B,34,13)	CKSSYB104K10	
R 427	(B,24,3)	RS1/16SS101J		C 433	(B,34,11)	CKSSYB104K10	
R 428	(B,25,3)	RS1/16SS103J		C 434	(B,30,4)	CKSSYB104K10	
R 429	(B,7,24)	RS1/16SS101J		C 435	(B,28,25)	CKSSYB104K10	C
R 430	(B,8,25)	RS1/16SS101J		C 436	(B,26,25)	CKSSYB104K10	
R 431	(A,27,10)	RS1/16SS103J		C 437	(B,25,4)	CKSSYB104K10	
R 432	(A,5,11)	RS1/16SS101J		C 438	(B,24,25)	CKSSYB104K10	
R 433	(B,11,25)	RS1/16SS101J		C 439	(B,22,4)	CKSSYB104K10	
R 434	(A,20,10)	RS1/16SS101J		C 440	(B,21,3)	CKSSYB104K10	
R 435	(B,21,25)	RS1/16SS101J		C 441	(B,19,25)	CKSSYB104K10	
R 436	(B,16,3)	RS1/16SS103J		C 442	(B,16,4)	CKSSYB104K10	
R 437	(A,29,10)	RAB4CQ473J		C 443	(A,6,12)	CCSSCJ3R0C50	
R 438	(A,4,12)	RS1/16SS473J		C 444	(A,10,13)	CKSSYB104K10	
R 439	(A,8,12)	RS1/16SS473J		C 445	(B,12,23)	CKSSYB104K10	
R 441	(B,15,25)	RS1/16SS473J		C 446	(B,12,21)	CKSSYB104K10	D
R 444	(B,11,21)	RS1/16SS473J		C 447	(B,12,13)	CKSSYB104K10	
R 445	(B,12,15)	RS1/16SS392J		C 448	(B,12,12)	CKSSYB104K10	
R 446	(B,11,9)	RS1/16SS104J		C 449	(B,13,10)	CKSSYB104K10	
R 449	(B,37,21)	RS1/16SS473J		C 450	(B,12,16)	CKSSYB104K10	
R 450	(B,34,22)	RS1/16SS473J		C 452	(B,9,9) 1 uF	DCH1246	
R 451	(B,9,11)	RS1/16SS0R0J		C 453	(B,8,19)	CCSSCH120J50	
R 452	(B,8,13)	RS1/16SS473J		C 454	(B,8,15)	CCSSCH120J50	
R 453	(B,12,19)	RS1/16SS473J		C 455	(A,8,7) 1 uF	DCH1246	
R 454	(B,36,14)	RS1/16SS101J		C 456	(A,4,8) 1 uF	DCH1246	
R 455	(B,36,12)	RS1/16SS101J		C 457	(A,27,12)	CCSSCH101J50	
R 456	(B,12,4)	RS1/16SS101J					E
R 458	(B,12,6)	RS1/16SS101J					

CAPACITORS

C 401	(A,13,15) 1 uF	DCH1246
C 402	(A,25,9)	CCSSCH470J50
C 403	(A,25,10)	CCSSCKR50C50
C 404	(A,14,10)	CKSSYB102K50
C 405	(A,32,7)	CKSSYB103K16
C 406	(A,35,18)	CKSSYB104K10
C 407	(A,19,11)	CKSSYB104K10
C 408	(A,22,11) 1 uF	DCH1246
C 409	(A,21,10) 1 uF	DCH1246



Unit Number : EXX2001

Unit Name : PCB Assy (Service)

MISCELLANEOUS

IC 101	Driver IC	BA6288FS
VR101	Volume 10 kohm	CCW1029
S 101	Switch(HOME)	CSN1067
S 102	Switch(HOME)	CSN1068
CN101	Connector	CKS4997

RESISTORS

Circuit Symbol and No.

Part No.

R 101
R 102
R 103

RS1/16S221J
RS1/16S221J
RS1/16S0R0J

A

CAPACITORS

C 101
C 102

CEVW220M16
CKSRYB104K16

B

C

D

E

F