

(1) PACKING SECTION PARTS LIST

<u>Mark No.</u>	<u>Description</u>	<u>Part No.</u>	<u>Mark No.</u>	<u>Description</u>	<u>Part No.</u>
1	Cord Assy	See Contrast table (2)	10	Screw	See Contrast table (2)
2	Polyethylene Bag	See Contrast table (2)	11	Unit Box	See Contrast table (2)
3	Protector	See Contrast table (2)	12	Contain Box	See Contrast table (2)
4	Protector	See Contrast table (2)	13	Card Remote Control Unit	See Contrast table (2)
5	Protector	See Contrast table (2)	14	Case Assy	See Contrast table (2)
6	Screw	See Contrast table (2)	15-1	Owner's Manual	See Contrast table (2)
7	Polyethylene Bag	See Contrast table (2)			
8	Screw	See Contrast table (2)	*	15-2 Warranty Card	See Contrast table (2)
9	Handle	QNC3021			

(2) CONTRAST TABLE

DEH-X55HD/XNUC, DEH-X5500HD/XNUC and DEH-X6500DAB/XNEW5 are constructed the same except for the following:

Mark	No.	Description	DEH-X55HD/XNUC	DEH-X5500HD/XNUC	DEH-X6500DAB/XNEW5
	1	Cord Assy	CDP1480	CDP1480	QDP3012
	2	Polyethylene Bag	CEG1173	CEG1173	QEG3001
	3	Protector	CHP4103	Not used	Not used
	4	Protector	CHP4104	Not used	Not used
	5	Protector	Not used	CHP4594	CHP4594
	6	Screw	BPZ20P060FTC	BPZ20P060FTC	Not used
	7	Polyethylene Bag	CEG1160	CEG1160	Not used
	8	Screw	CRZ50P090FTC	CRZ50P090FTC	Not used
	10	Screw	TRZ50P080FTC	TRZ50P080FTC	Not used
	11	Unit Box	QHG3367	QHG3366	QHG3365
	12	Contain Box	QHL3367	QHL3366	QHL3365
	13	Card Remote Control Unit	QXE1047	QXE1047	Not used
	14	Case Assy	Not used	Not used	QXA3129
	15-1	Owner's Manual	QRD3126	QRD3126	QRD3125
*	15-2	Warranty Card	QRY3001	QRY3001	CRY1376

Owner's Manual, Installation Manual

Part No.	Language
QRD3125	English, French, Italian, Spanish(Espanol), German, Dutch, Russian
QRD3126	English, French, Spanish(Espanol)

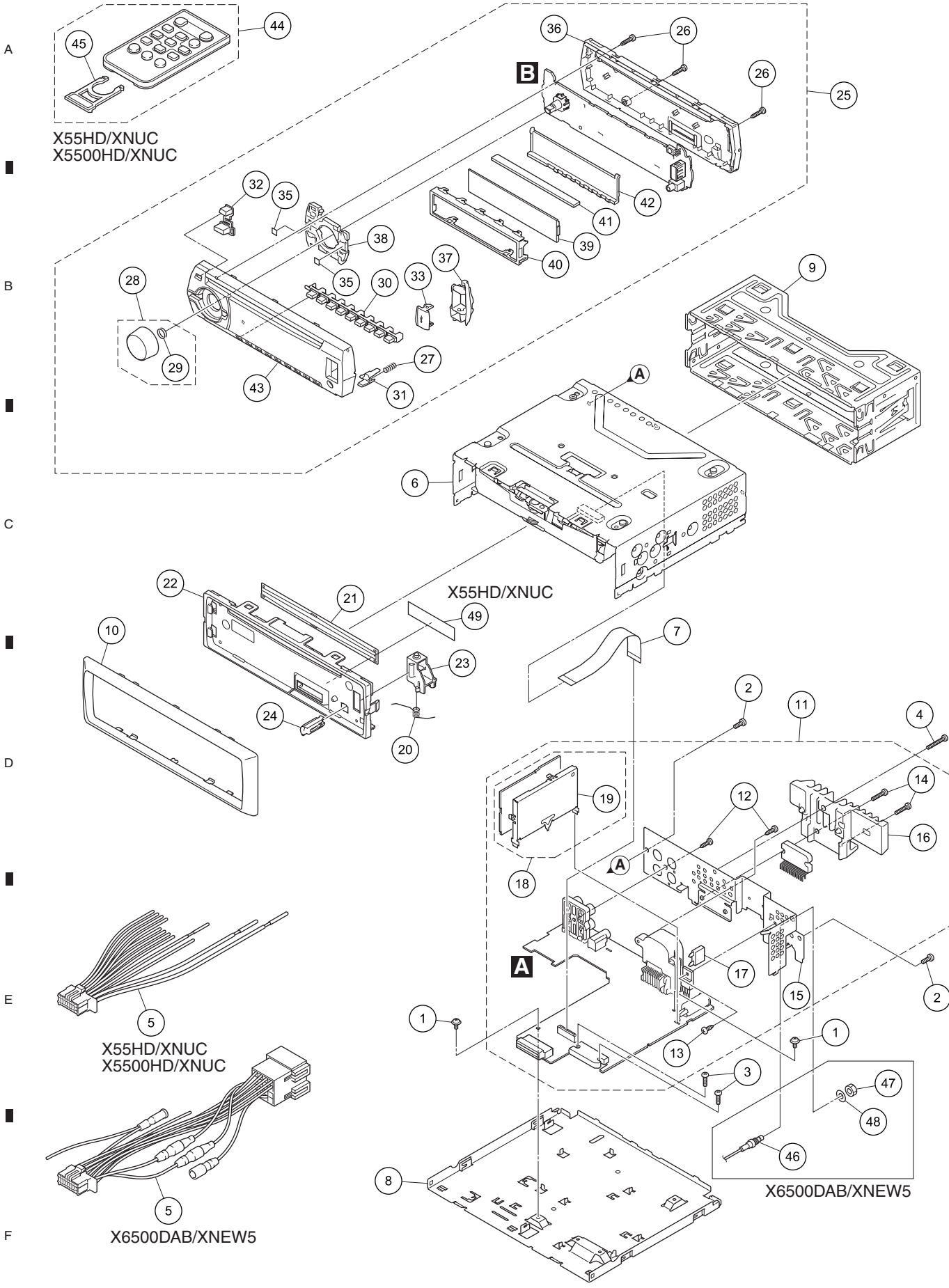
9.2 EXTERIOR

1

2

3

4



X55HD/XNUC
X5500HD/XNUC

X55HD/XNUC

X55HD/XNUC
X5500HD/XNUC

X6500DAB/XNEW5

X6500DAB/XNEW5

DEH-X55HD/XNUC

1

2

3

4

(1) EXTERIOR SECTION PARTS LIST

<u>Mark No.</u>	<u>Description</u>	<u>Part No.</u>	<u>Mark No.</u>	<u>Description</u>	<u>Part No.</u>
1	Screw	ASZ26P050FTC	26	Screw	BPZ20P100FTC
2	Screw	BSZ26P060FTC	27	Spring	CBH2210
3	Screw	BSZ26P080FTC	28	Knob Unit	See Contrast table (2)
4	Screw	BSZ26P120FTC	29	Spring	YBL5010
5	Cord Assy	See Contrast table (2)	30	Button (1-6)	See Contrast table (2)
6	CD Mechanism Module (S11.6)	CXK5804	31	Button (DETACH)	QAC3087
7	FFC	QDE3029	32	Button (EJECT)	See Contrast table (2)
8	Case	QNB3007	33	Door	QAT3007
9	Holder	QNC3020	34	•••••	
10	Panel	QNS3417	35	Sheet	QNM3060
11	Tuner Amp Unit	See Contrast table (2)	36	Cover	QNS3415
12	Screw	BPZ26P080FTC	37	Lighting Conductor	QNV3057
13	Screw	BSZ26P060FTC	38	Lighting Conductor	QNV3058
14	Screw	BSZ26P120FTC	39	Segment LCD (V1802)	CAW2025
15	Holder	See Contrast table (2)	40	Holder	QNC3047
16	Heat Sink	QNR3010	41	Rubber Connector	QNV3053
⚠ 17	Fuse (10 A)	YEK5001	42	Lighting Conductor	QNV3054
18	WWR Core TUN Unit (U461)	See Contrast table (2)	43	Grille Unit	See Contrast table (2)
19	Holder	CND6449	44	Card Remote Control Unit	See Contrast table (2)
20	Spring	QBH3001	45	Cover	See Contrast table (2)
21	Cover	QNM3029	46	DAB Antenna Cable	See Contrast table (2)
22	Panel	QNS3416	47	Nut	See Contrast table (2)
23	Arm	QNV3025	48	Washer	See Contrast table (2)
24	Button	QNV3026	49	Seal	See Contrast table (2)
25	Detachable Grille Assy	See Contrast table (2)	*		

(2) CONTRAST TABLE

DEH-X55HD/XNUC, DEH-X5500HD/XNUC and DEH-X6500DAB/XNEW5 are constructed the same except for the following:

<u>Mark</u>	<u>No.</u>	<u>Description</u>	<u>DEH-X55HD/XNUC</u>	<u>DEH-X5500HD/XNUC</u>	<u>DEH-X6500DAB/XNEW5</u>
	5	Cord Assy	CDP1480	CDP1480	QDP3012
	11	Tuner Amp Unit	QWM3442	QWM3441	QWM3440
	15	Holder	QNC3056	QNC3056	QNC3055
	18	WWR Core TUN Unit (U461)	CWE2364	CWE2364	CWE2363
	25	Detachable Grille Assy	QXA3708	QXA3707	QXA3706
	28	Knob Unit	CXE3692	CXE3692	QXA3694
	30	Button (1-6)	QAC3086	QAC3086	QAC3085
	32	Button (EJECT)	QAC3103	QAC3103	QAC3088
	43	Grille Unit	QXA3682	QXA3681	QXA3680
	44	Card Remote Control Unit	QXE1047	QXE1047	Not used
	45	Cover	CNS7068	CNS7068	Not used
	46	DAB Antenna Cable	Not used	Not used	QXA3732
	47	Nut	Not used	Not used	QBA3002
	48	Washer	Not used	Not used	QBE3001
*	49	Seal	CAN3984	Not used	Not used

9.3 CD MECHANISM MODULE

A

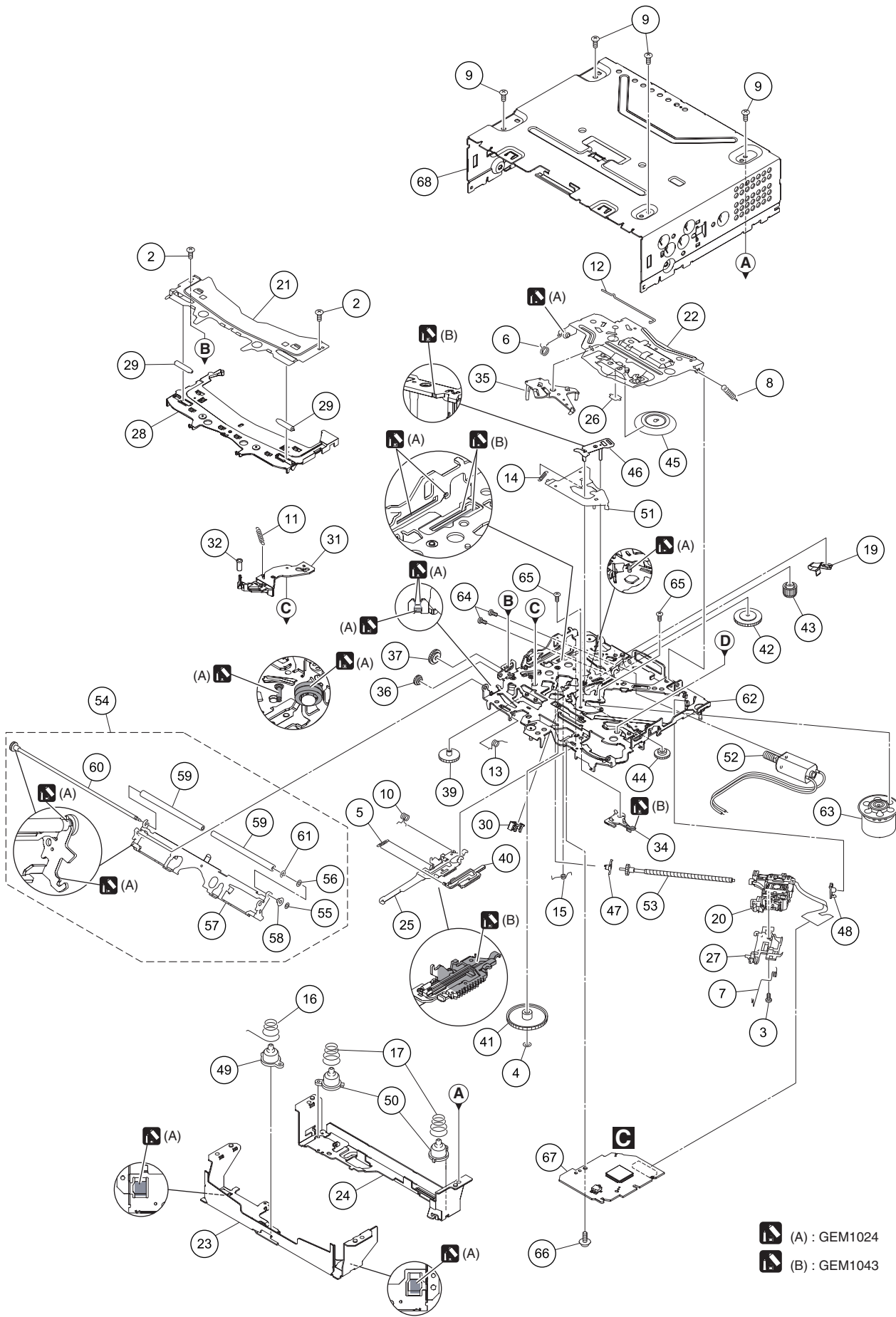
B

C

D

E

F



(A) : GEM1024
 (B) : GEM1043

CD MECHANISM MODULE SECTION PARTS LIST

<u>Mark No.</u>	<u>Description</u>	<u>Part No.</u>	<u>Mark No.</u>	<u>Description</u>	<u>Part No.</u>
1		50	Damper	CNW1198
2	Screw	BSZ20P040FTC	51	Arm	CNW1726
3	Screw(M2 x 4)	CBA1835	52	Motor Unit(M2)(LOAD/CRG)	CXC4026
4	Washer	CBF1038	53	Screw Unit	CXC8894
5	Spring	CBH3010	54	Arm Assy	CXE5027
6	Spring	CBH2855	55	Washer	CBF1037
7	Spring	CBH2856	56	Washer	CBF1038
8	Spring	CBH2860	57	Arm	CND6242
9	Screw	BSZ26P060FTC	58	Collar	CNW2444
10	Spring	CBH3011	59	Roller	CNW1196
11	Coil Spring	CBH3095	60	Gear Unit	CXC8893
12	Spring	CBH3014	61	Washer	YE15FTC
13	Spring	CBH3015	62	Chassis Unit	CXE4528
14	Spring	CBH3016	63	Motor Unit(M1)(SPDL)	CXE2273
15	Spring	CBH3017	64	Screw	JFZ20P025FTC
16	Spring	CBH3086	65	Screw	JGZ17P022FTC
17	Spring	CBH3019	66	Screw	EBA1028
18		67	CD Core Unit (S11.6STD)	CWX4023
19	Leaf Spring	CBL1824	68	Chassis	CNA3181
20	Pickup Unit(P10.6)(Service)	CXX3556			
21	Bracket	CND4553			
22	Arm	CND4555			
23	Bracket	CND6127			
24	Bracket	CND5710			
25	Lever	CND5398			
26	Sheet	CNN3678			
27	Rack	CNV8342			
28	Guide	CNW2240			
29	Roller	CNW1172			
30	Holder	CNW1195			
31	Arm	CNW2241			
32	Roller	CNW1175			
33				
34	Arm	CNW1177			
35	Arm	CNW1178			
36	Gear	CNW1180			
37	Gear	CNW1181			
38				
39	Gear	CNW1183			
40	Rack	CNW1184			
41	Gear	CNW1185			
42	Gear	CNW1186			
43	Gear	CNW1187			
44	Gear	CNW2287			
45	Clamper	CNW1190			
46	Arm	CNW1192			
47	Holder	CNW1193			
48	Holder	CNW1194			
49	Damper	CNW1197			

12. ELECTRICAL PARTS LIST

NOTE:

- Parts whose parts numbers are omitted are subject to being not supplied.
- The part numbers shown below indicate chip components.

Chip Resistor

RS1/○S○○○○J,RS1/○○S○○○○J

Chip Capacitor (except for CQS.....)

CKS....., CCS....., CSZS.....

- The \triangle mark found on some component parts indicates the importance of the safety factor of the part. Therefore, when replacing, be sure to use parts of identical designation.
- Meaning of the figures and others in the parentheses in the parts list.

Example) IC 301 is on the point (face A, 91 of x-axis, and 111 of y-axis) of the corresponding PC board.

IC 301 (A, 91, 111) IC NJM2068V

- The expression of the unit in this manual is shown by u instead of μ . Please do not make a mistake.

	<u>Circuit Symbol and No.</u>	<u>Part No.</u>	<u>Circuit Symbol and No.</u>	<u>Part No.</u>
A:	DEH-X55HD/XNUC		IC 801 (A,104,22) L-MOS And Gate	TC7SET08FUS1
B:	DEH-X5500HD/XNUC		IC 911 (A,145,28) IC	BA49183-V12
C:	DEH-X6500DAB/XNEW5		IC 961 (A,93,125) IC	TPD1052F
Unit Number:	QWM3442(A)		Q 251 (A,13,129) Chip Transistor	RN1910
Unit Number:	QWM3441(B)		Q 252 (A,23,131) Chip Transistor	RN1910
Unit Number:	QWM3440(C)		Q 301 (A,50,130) Chip Transistor	RN4983
Unit Name :	Tuner Amp Unit		Q 302 (A,101,125) Transistor	LTC014YEB
Unit Number:			Q 481 (A,124,111) Transistor(C)	2SA1577
Unit Name :	Keyboard Unit		Q 482 (A,114,117) Transistor(C)	LSCR523UB
Unit Number:	CWX4023		Q 483 (A,128,117) Transistor(C)	LSCR523UB
Unit Name :	CD Core Unit (S11.6STD)		Q 484 (A,129,114) Transistor(C)	LSCR523UB
Unit Number:			Q 531 (A,78,100) Transistor	LSAR523UB
Unit Name :			Q 751 (A,142,139) Transistor	2SD2396
Unit Number:			Q 752 (A,139,130) Chip Transistor	RN4983
Unit Name :			Q 871 (A,92,37) Transistor	2SA1577
Unit Number:			Q 872 (A,92,39) Transistor	LTC143EUB
Unit Name :			Q 941 (A,121,106) Transistor	LSCR523UB
Unit Number:			Q 951 (A,121,109) Transistor(C)	LSAR523UB
Unit Name :			D 301 (A,105,125) Diode	CRG03
Unit Number:			D 302 (A,102,127) Diode	CRG03
Unit Name :			D 401 (A,147,101) Diode	RN731VN
Unit Number:			D 402 (A,148,94) Diode	RN731VN
Unit Name :			D 481 (A,129,110) Diode(C)	RKZ15KG(B2)
Unit Number:			D 501 (A,67,53) Diode	CRG03
Unit Name :			D 503 (A,74,52) Diode	CRG03
Unit Number:			D 505 (A,86,54) Diode	CRG03
Unit Name :			D 506 (A,66,76) Diode	CRG03
Unit Number:			D 507 (A,68,67) Diode(C)	CRG03
Unit Name :			D 551 (A,83,39) Diode	CMS03
Unit Number:			D 552 (A,70,28) Diode	RB056L-40
Unit Name :			D 553 (A,83,45) Diode	CMS03
Unit Number:			D 751 (A,138,132) Diode	RKZ8.2KG(B2)
Unit Name :			D 801 (A,104,15) Diode	DZ2S068C
Unit Number:			D 802 (A,92,18) Diode	DZ2S068C
Unit Name :			D 803 (A,125,13) Diode	DZ2S068C
Unit Number:			D 804 (A,120,13) Diode	DZ2S068C
Unit Name :			D 805 (A,121,13) Diode	DZ2S068C
Unit Number:			D 806 (A,116,13) Diode	DZ2S068C
Unit Name :			D 807 (A,114,13) Diode	DZ2S068C
Unit Number:			D 808 (A,118,13) Diode	DZ2S068C
Unit Name :			D 809 (A,113,13) Diode	DZ2S068C
MISCELLANEOUS				
IC 201	(A,78,115) LSI	PM9013A		
IC 301	(A,78,142) IC	PA2030A		
IC 401	(A,139,86) IC	TDA7706		
IC 502	(A,80,60) IC	S-1172B12-E6		
IC 503	(A,72,78) IC	S-1155B33-U5		
IC 504	(A,72,72) IC(C)	S-1155B33-U5		
IC 531	(A,70,98) IC	337S3959		
IC 551	(A,75,31) IC	BD9876EFJ		
IC 552	(A,102,27) IC	BD2232G-G		
IC 601	(A,94,87) IC	R5S726A0D216FP		
IC 671	(A,112,71) IC	S-80827CNMC-B8M		
IC 681	(A,94,107) Flash ROM Unit(A,B)	PEB042A8		
	(A,94,107) Flash ROM Unit(C)	PEB041A8		

5		6		7		8	
<u>Circuit Symbol and No.</u>		<u>Part No.</u>		<u>Circuit Symbol and No.</u>		<u>Part No.</u>	
D 901	(A,139,126) Diode	1SR154-400		R 311	(A,50,132)	RS1/16SS473J	
D 902	(A,136,126) Diode	1SR154-400		R 312	(A,100,129)	RS1/16SS103J	
D 911	(A,143,58) Diode	CRG03		R 401	(A,151,101)	RS1/16SS221J	A
D 912	(A,147,59) Diode	CRG03		R 402	(A,151,94)	RS1/16SS751J	
D 941	(A,121,101) Diode(A,B)	HZU7L(A1)		R 403	(A,129,99)	RS1/16SS391J	
	(A,121,101) Diode(C)	HZU7L(C3)					
D 951	(A,117,110) Diode(C)	1SS301		R 404	(A,132,94)	RS1/16SS105J	
				R 406	(A,140,102)	RS1/16SS105J	
L 201	(A,103,110) Inductor	CTF1793		R 407	(A,129,91)	RS1/16SS330J	
L 401	(A,144,99) Chip Coil	LCTAWR27J2520		R 408	(A,127,92)	RS1/16SS471J	
L 402	(A,148,98) Chip Coil	LCTAWR15J2520		R 410	(A,130,86)	RS1/16SS0R0J	
L 403	(A,140,96) Inductor	CTF1786					
L 404	(A,136,97) Inductor	CTF1786		R 411	(A,127,86)	RS1/16SS681J	
				R 412	(A,124,78)	RS1/4SA8R2J	
L 405	(A,134,100) Inductor(A,B)	LCYB68NJ1608		R 413	(A,124,80)	RS1/4SA8R2J	
L 406	(A,132,98) Inductor	CTF1389		R 414	(A,128,82)	RS1/16SS0R0J	B
L 408	(A,129,97) Chip Coil	LCTAW4R7J2520		R 415	(A,143,74) (A,B)	RS1/16SS0R0J	
L 410	(A,126,88) Chip Coil	LCTAW470J2520		R 418	(A,142,78) (C)	RS1/16SS0R0J	
L 413	(A,135,76) Inductor	CTF1786					
L 414	(A,144,74) Inductor(C)	CTF1786		R 420	(A,137,103) (A,B)	RS1/16SS0R0J	
				R 440	(A,140,76) (A,B)	RS1/16SS221J	
L 419	(A,151,89) Inductor	CTF1786		R 461	(A,137,73)	RS1/16SS101J	
L 420	(A,151,91) Inductor	CTF1786		R 462	(A,137,75)	RS1/16SS101J	
L 461	(A,152,104) Inductor(C)	LCYBR22J1608		R 463	(A,136,73)	RS1/16SS101J	
L 551	(A,72,21) Inductor	CTH1524					
L 801	(A,115,16) Inductor	CTF1713		R 464	(A,136,77)	RS1/16SS101J	
L 901	(A,112,141) Choke Coil 600 uH	CTH1432		R 467	(A,149,66)	RS1/16SS680J	
L 951	(A,115,112) Chip Coil(C)	BTH1101		R 468	(A,149,65)	RS1/16SS680J	
				R 469	(A,152,64)	RS1/16SS473J	C
X 401	(A,151,82) Crystal Resonator 36.48 MHz	CSS1848					
X 601	(A,108,88) Crystal Resonator 12 MHz	CSS1847		R 470	(A,153,98) (C)	RS1/10SR0R0J	
X 602	(A,101,102) Ceramic Resonator 16.934 MHz	CSS1603		R 471	(A,154,98) (C)	RS1/10SR0R0J	
△P251	(A,6,129) Fuse 3.0 A	CEK1386		R 474	(A,138,75) (A,B)	RS1/16SS101J	
P 402	(A,151,113) Surge Absorber	HSPC16701B02			(A,138,75) (C)	RS1/16SS0R0J	
△P481	(A,124,108) Fuse 250 mA(C)	CEK1276					
VA461	(A,154,106) Varistor(C)	AVRL101A1R1NTB		R 475	(A,139,77) (A,B)	RS1/16SS101J	
				R 476	(A,139,75) (A,B)	RS1/16SS101J	
VA801	(A,107,15) Varistor	EZJP0V270RM		R 477	(A,140,74) (A,B)	RS1/16SS101J	
VA802	(A,101,14) Varistor	EZJP0V270RM		R 481	(A,121,115) (C)	RS1/4SA331J	
U 461	(A,160,77) WWR C-TUN Unit(A,B)	CWE2364		R 482	(A,120,117) (C)	RS1/4SA331J	
	(A,160,77) WWR C-TUN Unit(C)	CWE2363		R 483	(A,123,112) (C)	RS1/16SS103J	
CN701	(A,114,32) Connector	VKN1192					D
CN801	(A,109,4) Connector	CKS6452		R 484	(A,130,112) (C)	RS1/16SS4702F	
				R 485	(A,131,115) (C)	RS1/16SS3001D	
JA251	(A,19,138) Pin Jack	CKB1099		R 486	(A,129,112) (C)	RS1/16SS223J	
JA401	(A,158,129) Antenna Jack	YKS5041		R 487	(A,130,111) (C)	RS1/16SS181J	
JA461	(A,149,108) Connector(C)	CKX1103					
JA891	(A,42,138) Jack	CKS6437		R 488	(A,128,111) (C)	RS1/16SS271J	
JA901	(A,113,141) Connector	CKM1613		R 489	(A,118,115) (C)	RS1/16SS472J	
△	Fuse 10 A	YEK5001		R 490	(A,117,116) (C)	RS1/16SS472J	
				R 503	(A,77,78)	RS1/16SS102J	
				R 531	(A,65,99)	RS1/16SS473J	
RESISTORS							
R 251	(A,18,131)	RS1/16SS821J		R 532	(A,68,101)	RS1/16SS222J	
R 252	(A,9,130)	RS1/16SS821J		R 533	(A,75,97)	RS1/16SS222J	E
R 253	(A,15,131)	RS1/16SS223J		R 534	(A,70,104)	RS1/16SS272J	
R 254	(A,11,130)	RS1/16SS223J		R 535	(A,69,103)	RS1/16SS472J	
R 255	(A,29,131)	RS1/16SS821J		R 536	(A,81,102)	RS1/16SS472J	
R 256	(A,19,131)	RS1/16SS821J		R 537	(A,70,101)	RS1/16SS101J	
R 257	(A,28,131)	RS1/16SS223J		R 538	(A,74,99)	RS1/16SS101J	
R 258	(A,21,131)	RS1/16SS223J		R 551	(A,74,25)	RS1/16SS682J	
R 301	(A,73,126)	RS1/16SS471J		R 552	(A,78,22)	RS1/16SS0R0J	
R 302	(A,81,126)	RS1/16SS471J		R 553	(A,78,26)	RS1/16SS1803D	
R 303	(A,74,126)	RS1/16SS471J		R 554	(A,77,26)	RS1/16SS4302D	
R 304	(A,80,126)	RS1/16SS471J		R 555	(A,80,12)	RS1/10SR471J	
R 305	(A,54,131)	RS1/16SS103J		R 602	(A,92,74)	RS1/16SS473J	F
R 306	(A,54,130)	RS1/16SS102J		R 604	(A,82,93) (C)	RS1/16SS473J	
R 309	(A,52,133)	RS1/16SS103J		R 609	(A,109,78)	RS1/16SS473J	
				R 610	(A,80,91)	RS1/16SS473J	

1

2

3

4

Circuit Symbol and No.Part No.Circuit Symbol and No.Part No.

	R 611 (A,107,84)	RS1/16SS473J	R 718 (A,121,36)	RS1/16SS221J
	R 613 (A,106,88)	RS1/16SS152J	R 719 (A,120,39)	RS1/16SS104J
A	R 614 (A,111,92)	RS1/16SS473J	R 752 (A,142,134)	RS1/10SR821J
	R 615 (A,110,93)	RS1/16SS473J	R 753 (A,106,36)	RS1/16SS473J
	R 616 (A,112,94)	RS1/16SS473J	R 754 (A,106,39)	RS1/16SS103J
	R 617 (A,111,94)	RS1/16SS103J	R 801 (A,125,19)	RS1/10SR222J
	R 622 (A,105,97)	RS1/16SS473J	R 802 (A,103,15)	RS1/10SR222J
	R 623 (A,105,102)	RAB4CQ473J	R 803 (A,123,17)	RS1/16SS223J
	R 625 (A,97,99)	RS1/16SS101J	R 804 (A,120,17)	RS1/16SS223J
	R 626 (A,96,102)	RS1/16SS101J	R 805 (A,122,19)	RS1/10SR101J
	R 627 (A,95,99)	RS1/16SS101J	R 806 (A,119,19)	RS1/10SR101J
	R 628 (A,95,100)	RS1/16SS101J	R 807 (A,121,19)	RS1/10SR101J
	R 629 (A,94,99)	RS1/16SS101J	R 808 (A,123,19)	RS1/10SR222J
B	R 630 (A,93,100)	RS1/16SS101J	R 809 (A,116,19)	RS1/10SR220J
	R 631 (A,92,103)	RS1/16SS473J	R 810 (A,115,19)	RS1/10SR220J
	R 632 (A,87,104)	RS1/16SS473J	R 811 (A,118,19)	RS1/10SR222J
	R 633 (A,90,100)	RS1/16SS101J	R 812 (A,113,17)	RS1/10SR222J
	R 634 (A,84,101)	RS1/16SS102J	R 813 (A,105,20)	RS1/10SR222J
	R 635 (A,83,99)	RS1/16SS102J	R 814 (A,101,19)	RS1/10SR222J
	R 636 (A,84,98)	RS1/16SS473J	R 815 (A,102,19)	RS1/16SS822J
	R 637 (A,85,97)	RS1/16SS473J	R 816 (A,97,19)	RS1/10SR222J
	R 638 (A,86,101)	RS1/16SS473J	R 817 (A,95,18)	RS1/10SR222J
	R 639 (A,81,96)	RS1/16SS472J	R 851 (A,93,22)	RS1/16SS472J
	R 640 (A,79,95)	RS1/16SS472J	R 871 (A,90,39)	RS1/10SR332J
C	R 643 (A,82,92)	RS1/16SS104J	R 872 (A,90,37)	RS1/16SS103J
	R 644 (A,80,90)	RS1/16SS101J	R 877 (A,95,36)	RS1/16SS1R0J
	R 645 (A,80,89)	RS1/16SS101J	R 878 (A,97,36)	RS1/10SR473J
	R 646 (A,71,89)	RS1/16SS103J	R 891 (A,52,136)	RS1/16SS102J
	R 647 (A,78,88)	RS1/16SS101J	R 892 (A,52,137)	RS1/16SS102J
	R 648 (A,79,86)	RS1/16SS102J	R 911 (A,144,42)	RS1/10SR1R0J
	R 649 (A,83,85)	RS1/16SS102J	R 912 (A,139,40)	RS1/10SR1R0J
	R 650 (A,88,76)	RS1/16SS102J	R 941 (A,120,105)	RS1/16SS223J
	R 651 (A,83,82)	RS1/16SS473J	R 942 (A,122,103)	RS1/16SS473J
	R 652 (A,83,79)	RS1/16SS222J	R 943 (A,116,104) (A,B)	RS1/16SS472J
	R 653 (A,85,79)	RS1/16SS103J	(A,116,104) (C)	RS1/16SS473J
D	R 655 (A,103,74) (C)	RS1/16SS473J	R 944 (A,116,106)	RS1/4SA102J
	R 659 (A,110,66)	RS1/16SS153J	R 951 (A,119,108) (C)	RS1/16SS102J
	R 660 (A,110,65)	RS1/16SS153J	R 952 (A,121,112) (C)	RS1/16SS223J
	R 664 (A,108,96)	RS1/16SS103J	R 953 (A,115,110) (C)	RS1/16SS153J
	R 666 (A,77,95)	RS1/16SS0R0J	R 961 (A,102,121)	RS1/16SS103J
	R 667 (A,83,83) (C)	RS1/16SS102J	R 962 (A,96,123)	RS1/16SS103J
	R 671 (A,112,74)	RS1/16SS104J	R 963 (A,97,126)	RS1/16SS105J
	R 681 (A,88,109)	RS1/16SS473J	CAPACITORS	
	R 682 (A,88,108)	RS1/16SS473J	C 201 (A,72,122)	CKSRYB105K10
	R 683 (A,100,105)	RS1/16SS473J	C 202 (A,84,122)	CKSRYB105K10
E	R 684 (A,88,107)	RS1/16SS473J	C 203 (A,72,119)	CKSRYB105K10
	R 685 (A,99,109)	RS1/16SS473J	C 204 (A,84,119)	CKSRYB105K10
	R 701 (A,107,36)	RS1/16SS473J	C 205 (A,72,121)	CKSRYB105K10
	R 702 (A,115,37)	RS1/16SS104J	C 206 (A,84,120)	CKSRYB105K10
	R 703 (A,117,27)	RAB4CQ472J	C 207 (A,70,117)	CKSSYB104K10
	R 704 (A,110,39)	RS1/16SS104J	C 208 (A,70,116)	CKSSYB104K10
	R 706 (A,105,36)	RS1/16SS221J	C 209 (A,69,115) 10 uF	CCG1192
	R 707 (A,108,36)	RS1/16SS221J	C 210 (A,71,115)	CCSSCH151J50
	R 708 (A,109,36)	RS1/16SS101J	C 211 (A,84,114)	CCSSCH151J50
	R 709 (A,111,36)	RS1/16SS221J	C 212 (A,87,116) 10 uF	CCG1192
	R 710 (A,113,36)	RS1/16SS101J	C 213 (A,86,113)	CKSSYB104K10
F	R 711 (A,114,37)	RS1/16SS102J	C 214 (A,86,112)	CKSSYB104K10
	R 715 (A,117,37)	RS1/16SS151J	C 215 (A,86,111)	CKSSYB102K50
	R 716 (A,118,36)	RS1/16SS151J		
	R 717 (A,119,36)	RS1/16SS151J		

1

2

3

4

5		6		7		8	
<u>Circuit Symbol and No.</u>		<u>Part No.</u>		<u>Circuit Symbol and No.</u>		<u>Part No.</u>	
C 216	(A,70,112) 10 uF	CCG1192		C 435	(A,129,80)	CKSRYB474K10	
C 217	(A,73,110)	CKSSYB102K50		C 440	(A,131,80)	CKSSYB102K50	
C 218	(A,97,115)	XCEVW470M16		C 441	(A,126,83) (A,B)	CCSSCH100D50	A
C 219	(A,91,117) 10 uF	CCG1192		C 442	(A,135,77) (A,B)	CKSSYB104K10	
C 220	(A,90,112) 10 uF	CCG1192			(A,135,77) (C)	CKSSYB102K50	
C 223	(A,67,114)	CKSSYB102K50		C 444	(A,144,76) 2.2 uF	CCG1218	
C 224	(A,102,112)	CKSSYB104K10		C 445	(A,146,76)	CKSSYB104K10	
C 228	(A,91,114)	CKSSYB103K16		C 448	(A,148,79)	CKSSYB104K10	
C 230	(A,105,109)	CKSSYB104K10		C 449	(A,151,80)	CCSSCH9R0D50	
C 234	(A,122,74)	CKSSYB104K10		C 450	(A,150,85)	CCSSCH9R0D50	
C 251	(A,37,128) 4.7 uF	CCG1201		C 451	(A,148,85)	CKSSYB104K10	
C 252	(A,32,126) 4.7 uF	CCG1201		C 452	(A,148,88)	CKSRYB105K10	
C 253	(A,17,130)	CCSSCH101J50		C 453	(A,149,90)	CKSSYB104K10	
C 254	(A,10,130)	CCSSCH101J50		C 455	(A,148,91)	CKSRYB224K16	
C 255	(A,35,131) 4.7 uF	CCG1201		C 456	(A,152,86)	CKSSYB472K25	B
C 256	(A,30,130) 4.7 uF	CCG1201		C 457	(A,152,87)	CKSSYB472K25	
C 257	(A,26,131)	CCSSCH101J50		C 458	(A,133,75)	CKSSYB103K16	
C 258	(A,20,131)	CCSSCH101J50		C 462	(A,148,104) (C)	CCSSCH101J50	
C 261	(A,6,131)	CKSSYB102K50		C 463	(A,149,104) (C)	CKSSYB104K16	
C 301	(A,72,129)	CKSRYB224K16		C 467	(A,154,78) (A,B)	CCSSCH150J50	
C 303	(A,82,129)	CKSRYB224K16		C 468	(A,154,80) (A,B)	CCSSCH150J50	
C 305	(A,75,129)	CKSRYB224K16		C 469	(A,154,81) (A,B)	CCSSCH150J50	
C 307	(A,79,129)	CKSRYB224K16		C 472	(A,127,76)	CKSSYB104K10	
C 313	(A,84,128)	CKSRYB105K16		C 473	(A,125,75)	CKSSYB104K10	
C 314	(A,137,135)	CKSRYB104K16		C 476	(A,138,73) (C)	CKSSYB104K10	C
C 317	(A,61,128)	XCEVW100M16		C 481	(A,125,117) (C)	CKSRYB104K16	
C 319	(A,61,135)	CCSSCH101J50		C 482	(A,126,109) (C)	CKSRYB104K16	
C 320	(A,62,134)	CCSSCH1R0C50		C 503	(A,81,55) 10 uF	CCG1192	
C 321	(A,86,129)	CCSSCH101J50		C 504	(A,81,65) 10 uF	CCG1192	
C 322	(A,103,125)	CKSRYB104K16		C 505	(A,68,82) 4.7 uF	CCG1201	
C 323	(A,107,129)	CCSRCH100D50		C 506	(A,67,81)	CKSSYB102K50	
C 324	(A,103,129)	CCSRCH100D50		C 507	(A,76,78) 4.7 uF	CCG1201	
C 325	(A,96,134)	CCSRCH100D50		C 508	(A,72,67) 4.7 uF(C)	CCG1201	
C 326	(A,94,138)	CCSRCH100D50		C 509	(A,72,66) (C)	CKSRYB102K50	
C 327	(A,54,129)	CKSRYB105K16		C 510	(A,76,70) 4.7 uF(C)	CCG1201	
C 401	(A,143,94)	CKSSYB104K10		C 531	(A,65,98)	CKSSYB104K10	D
C 402	(A,143,96)	CKSSYB103K16		C 532	(A,69,104)	CKSSYB104K10	
C 403	(A,142,97)	CKSRYB105K10		C 551	(A,79,43) 1 000 uF/16 V	XCH3021	
C 405	(A,151,96)	CKSSYB103K16		C 552	(A,71,37)	CKSRYB105K16	
C 406	(A,149,96)	CKSSYB103K16		C 553	(A,74,36)	CKSSYB103K16	
C 408	(A,150,100)	CKSSYB103K16		C 555	(A,76,26)	CKSSYB682K25	
C 409	(A,146,99)	CCSSCH6R0D50		C 556	(A,70,13)	CEVQW221M6R3	
C 410	(A,143,101)	CCSSCH330J50		C 557	(A,79,17)	CKSRYB105K10	
C 411	(A,137,93)	CKSSYB103K16		C 560	(A,106,27)	CKSRYB105K10	
C 412	(A,137,95)	CKSSYB104K10		C 561	(A,97,27)	CKSRYB105K10	
C 413	(A,139,95)	CKSSYB104K10		C 564	(A,77,17) 4.7 uF	CCG1201	E
C 414	(A,135,95)	CKSSYB103K16		C 565	(A,70,35) 4.7 uF	CCG1222	
C 415	(A,133,95) 10 uF	CCG1192		C 568	(A,82,30) 1 uF	DCH1246	
C 416	(A,136,95)	CKSSYB104K10		C 601	(A,85,76)	CKSSYB104K10	
C 418	(A,132,96)	CKSSYB223K16		C 602	(A,93,75)	CKSSYB104K10	
C 420	(A,134,99) (C)	CKSSYB103K16		C 603	(A,96,75)	CKSSYB104K10	
C 421	(A,150,112) (A,B)	CCSSCH4R0C50		C 604	(A,98,74)	CKSSYB104K10	
C 424	(A,129,95)	CKSSYB103K16		C 605	(A,103,76)	CKSSYB104K10	
C 425	(A,128,94) 10 uF	CCG1192		C 606	(A,106,82)	CKSSYB104K10	
C 426	(A,129,92)	CKSSYB104K10		C 607	(A,111,87)	CCSSCH120J50	
C 427	(A,134,91)	CKSSYB104K10		C 608	(A,111,89)	CCSSCH120J50	
C 428	(A,127,91)	CCSSCH101J50		C 609	(A,111,83)	CKSSYB104K10	F
C 429	(A,125,91)	CKSSYB103K16		C 610	(A,105,86)	CKSSYB104K10	
C 430	(A,129,84) 1 uF	DCH1246		C 611	(A,105,90)	CKSSYB104K10	
C 432	(A,127,87)	CCSSCH820J50					
C 433	(A,124,85) 1 uF(A,B)	DCH1246					

1

2

3

4

Circuit Symbol and No.**Part No.****Circuit Symbol and No.****Part No.**

C 612	(A,106,95)	CKSSYB104K10			
C 613	(A,106,96)	CKSSYB104K10	Q 1853	(B,35,10) Transistor	LSCR523UB
C 620	(A,98,100)	CKSSYB104K10	Q 1854	(B,57,16) Transistor	LSCR523UB
C 621	(A,92,101)	CKSSYB104K10	Q 1855	(B,58,18) Transistor	LSCR523UB
C 622	(A,89,102)	CCSSCH220J50	Q 1856	(B,57,23) Transistor	LSCR523UB
			Q 1857	(B,22,12) Transistor	LSCR523UB
C 623	(A,88,102)	CKSSYB104K10			
C 624	(A,87,100)	CKSSYB104K10	Q 1858	(B,15,12) Transistor	LSCR523UB
C 625	(A,85,101)	CKSSYB104K10	Q 1859	(B,12,28) Transistor	LSCR523UB
C 626	(A,83,90)	CKSSYB104K10	Q 1866	(B,105,24) Transistor	LSCR523UB
C 627	(A,79,90)	CCSSCH220J50	Q 1867	(B,112,25) Transistor	LSCR523UB
			Q 1868	(B,119,25) Transistor	LSCR523UB
C 628	(A,78,90)	CCSSCH220J50			
C 629	(A,81,86)	CKSSYB104K10	D 1882	(A,10,22) LED	SMLVN6RGB2U(A)
C 630	(A,81,84)	CKSSYB104K10	D 1883	(A,40,22) LED	SMLVN6RGB2U(A)
C 631	(A,78,87)	CCSSCH220J50	D 1884	(A,164,22) LED	SMLVN6RGB2U(A)
C 672	(A,114,74)	CKSRYP105K10	D 1885	(A,48,23) LED	MSL0101RGBU
			D 1886	(A,147,24) LED	MSL0101RGBU
C 681	(A,100,109)	CKSSYB104K10			
C 701	(A,111,38)	CKSSYB103K16	L 1802	(B,136,11) Inductor	CTF1389
C 704	(A,119,38)	CCSSCH100D50	L 1803	(B,131,6) Inductor	CTF1389
C 705	(A,118,39)	CCSSCH100D50	L 1804	(B,135,5) Inductor	CTF1389
C 706	(A,116,39)	CCSSCH100D50	X 1801	(B,69,22) Ceramic Resonator 5.00 MHz	CSS1547
			S 1821	(A,53,5) Push Switch	CSG1155
C 752	(A,140,134)	CKSSYB104K10			
C 753	(A,145,133) 10 uF	CCG1192	S 1822	(A,9,41) Push Switch	CSG1155
C 801	(A,124,6)	CKSRYP221K50	S 1823	(A,64,5) Push Switch	CSG1155
C 806	(A,125,10)	CKSRYP104K16	S 1824	(A,11,6) Push Switch	CSG1155
C 807	(A,123,13)	CKSRYP105K10	S 1826	(A,6,22) Push Switch	CSG1155
			S 1828	(A,39,34) Push Switch	CSG1155
C 808	(A,113,19)	CKSRYP104K16			
C 809	(A,97,16)	CCSRCH221J50	S 1830	(A,25,22)Encoder(MULTI-CONTROL)	CSD1168
C 810	(A,96,14)	CCSRCH221J50	S 1832	(A,39,10) Push Switch	CSG1155
C 811	(A,104,20)	CKSSYB104K10	S 1834	(A,137,5) Push Switch	CSG1155
C 873	(A,98,34)	CKSRYP104K16	S 1835	(A,127,5) Push Switch	CSG1155
			S 1836	(A,106,5) Push Switch	CSG1155
C 891	(A,50,135)	CKSRYP104K16			
C 892	(A,50,138)	CKSRYP104K16	S 1837	(A,116,5) Push Switch	CSG1155
C 901	(A,133,124) 2 200 uF/16 V	CCH2040	S 1838	(A,85,5) Push Switch	CSG1155
C 912	(A,152,41)	CKSSYB102K50	S 1839	(A,95,5) Push Switch	CSG1155
C 913	(A,133,40)	CKSSYB102K50	S 1840	(A,74,5) Push Switch	CSG1155
			S 1842	(A,10,36) Push Switch	CSG1155
C 914	(A,148,52) 1 000 uF/16 V	CCH2024			
C 915	(A,133,41)	CKSRYP104K16	CN1911	(A,157,26) Connector	CKS6443
C 916	(A,143,45) 4.7 uF	CCG1201	CN1931	(B,109,10) Connector	CKS6451
C 917	(A,143,41)	CKSSYB102K50	JA1921	(A,154,12) Jack	CKN1094
C 919	(A,151,43) 4.7 uF	CCG1201	V 1802	(A,53,33) Segment LCD	CAW2025

RESISTORS

C 921	(A,136,42) 4.7 uF	CCG1201			
C 923	(A,148,42) 4.7 uF	CCG1201			
C 926	(A,142,41) 4.7 uF	CCG1201	R 1809	(B,75,14)	RS1/16SS473J
C 927	(A,139,42)	CKSSYB102K50	R 1810	(B,63,21)	RS1/16SS103J
C 930	(A,139,122)	CKSSYB104K10	R 1824	(B,33,30)	RS1/16SS273J
			R 1851	(B,50,15)	RS1/10SR222J
			R 1852	(B,48,15)	RS1/10SR222J
C 941	(A,118,103)	CKSRYP104K16			
C 961	(A,89,128)	CKSSYB104K16			
C 962	(A,89,126)	CKSSYB104K16	R 1853	(B,47,15)	RS1/10SR222J
C 966	(A,97,127)	CKSSYB333K16	R 1854	(B,41,15)	RS1/16SS102J
			R 1856	(B,41,18)	RS1/16SS102J
			R 1858	(B,42,20)	RS1/16SS102J
			R 1860	(B,53,19)	RS1/16SS102J
			R 1862	(B,55,19)	RS1/16SS102J
			R 1864	(B,54,22)	RS1/16SS102J
			R 1866	(B,29,11)	RS1/16SS101J
			R 1867	(B,21,14)	RS1/16SS101J
			R 1868	(B,12,30)	RS1/16SS101J

MISCELLANEOUS

IC 1802	(B,84,22) IC	PDC202B			
IC 1851	(B,47,20) IC	BH2228FV			
IC 1941	(A,149,40) Remote IC(A,B)	GP1UXC14RK	R 1875	(B,58,14)	RS1/16SS101J
Q 1851	(B,40,12) Transistor	LSCR523UB	R 1876	(B,57,20)	RS1/16SS101J
Q 1852	(B,32,9) Transistor	LSCR523UB	R 1877	(B,54,24)	RS1/16SS101J

1

2

3

4

5		6		7		8	
<u>Circuit Symbol and No.</u>		<u>Part No.</u>		<u>Circuit Symbol and No.</u>		<u>Part No.</u>	
R 1881	(B,27,10)	RS1/16SS680J		R 217	(B,10,32)	RS1/16SS562J	
R 1882	(B,28,9)	RS1/16SS0R0J		R 218	(B,10,35)	RS1/16SS472J	
R 1883	(B,18,11)	RS1/16SS680J		R 229	(B,12,34)	RS1/16SS471J	A
R 1884	(B,19,11)	RS1/16SS0R0J		R 232	(A,31,54)	RS1/16SS0R0J	
R 1885	(B,13,25)	RS1/16SS680J		R 237	(B,33,45)	RS1/16SS221J	
R 1886	(B,14,23)	RS1/16SS0R0J		R 240	(B,34,40)	RS1/16SS473J	
R 1899	(B,107,27)	RS1/16SS680J		R 245	(A,34,46)	RS1/16SS104J	
R 1900	(B,108,28)	RS1/16SS0R0J		R 254	(A,37,56)	RS1/16SS104J	
R 1901	(B,113,28)	RS1/16SS680J		R 260	(B,30,27)	RS1/16SS103J	
R 1902	(B,115,28)	RS1/16SS0R0J		R 264	(A,22,9)	RS1/16SS102J	
R 1903	(B,118,28)	RS1/16SS680J		R 281	(B,33,38)	RS1/16SS560J	
R 1904	(B,118,29)	RS1/16SS0R0J		R 282	(B,33,39)	RS1/16SS560J	
R 1931	(B,89,7)	RS1/10SR222J		R 283	(B,35,38)	RS1/16SS0R0J	
R 1932	(B,91,8)	RS1/10SR222J		R 291	(B,33,34)	RS1/16SS560J	B
R 1941	(B,147,32) (C)	RS1/16SS473J		R 292	(B,33,36)	RS1/16SS0R0J	
R 1944	(B,144,28) (A,B)	RS1/10SR101J		R 293	(B,35,39)	RS1/16SS0R0J	

CAPACITORS

C 1801	(B,78,12)	CKSSYB104K10
C 1802	(B,77,12)	CKSSYB104K10
C 1803	(B,79,12)	CKSSYB104K10
C 1804	(B,72,22)	CKSRYB105K10
C 1805	(B,72,24)	CKSSYB104K10
C 1851	(B,52,13)	CCSRCH100D50
C 1852	(B,51,15)	CCSRCH100D50
C 1853	(B,45,15)	CCSRCH100D50
C 1854	(B,52,23)	CKSSYB103K16
C 1855	(B,52,24)	CKSRYB105K10
C 1911	(B,146,27)	CKSRYB104K16
C 1912	(B,149,18)	CKSRYB104K16
C 1941	(B,143,30) 10 uF(A,B)	CCG1192



Unit Number : CWX4023
Unit Name : CD Core Unit (S11.6STD)

MISCELLANEOUS

IC 201	(B,23,37) IC	PE5791A
IC 301	(A,37,11) IC	BD8223EFV
Q 101	(B,11,53) Transistor	2SA1577
Q 102	(B,15,54) Transistor	LTA123JUB
X 201	(B,25,49) Ceramic Resonator	16.934 MHz CSS1603
S 901	(A,42,53) Spring Switch(HOME)	CSN1080
S 903	(B,21,12) Spring Switch(DSCSNS)	CSN1081
CN101	(A,16,58) Connector	CKS4808
CN701	(A,25,29) Connector	CKS6146

RESISTORS

R 101	(B,6,57)	RS1/10SR2R4J
R 102	(B,8,57)	RS1/10SR2R4J
R 103	(B,9,57)	RS1/10SR2R7J
R 108	(B,18,55)	RS1/16SS105J
R 109	(B,12,50)	RS1/16SS222J
R 201	(A,24,11)	RS1/16SS0R0J
R 202	(A,23,9)	RS1/16SS0R0J
R 214	(B,18,28)	RS1/16SS103J
R 215	(B,17,28)	RS1/16SS393J
R 216	(B,12,35)	RS1/16SS122J

CAPACITORS

C 104	(B,12,57)	CKSQYB475K6R3
C 203	(B,22,47)	CKSSYB104K10
C 209	(B,28,47)	CKSRYB104K16
C 210	(B,33,43)	CKSSYB104K10
C 211	(B,33,41)	CKSSYB104K10
C 212	(B,22,28)	CKSSYB104K10
C 213	(B,18,26)	CKSSYB332K50
C 214	(B,17,26)	CKSSYB473K16
C 215	(B,19,28)	CKSSYB104K10
C 216	(B,12,33)	CKSSYB182K50
C 217	(B,10,34)	CCSSCH560J50
C 218	(B,10,36)	CCSSCH4R0C50
C 219	(B,14,34)	CKSSYB104K10
C 220	(A,18,38)	CKSSYB104K10
C 221	(B,14,32)	CKSSYB104K10
C 222	(B,13,37)	CKSSYB104K10
C 223	(B,12,42)	CCSSCH680J50
C 224	(B,13,45)	CCSSCH470J50
C 225	(B,13,46)	CKSSYB103K16
C 228	(B,10,33)	CCSSCH270J50

1 2 3 4

Circuit Symbol and No. **Part No.**

C 229	(B,9,40)	CKSSYB104K10
C 233	(B,32,46)	CKSSYB103K16
C 236	(B,8,40)	CKSSYB104K10
C 238	(A,25,44)	CKSRYB104K16
C 299	(A,26,41)	CKSSYB104K10
C 302	(B,28,12)	CKSSYB102K50
C 303	(B,29,12)	CKSSYB102K50
C 304	(B,27,12)	CKSSYB223K16
C 305	(B,26,12)	CKSSYB104K10
C 306	(A,31,7)	CKSSYB104K10
C 307	(A,41,19)	CKSRYB105K10
C 308	(A,31,15)	CKSRYB105K10
C 710	(A,34,42)	CKSSYB102K50

Miscellaneous Parts List

	Pickup Unit(P10.6)(Service)	CXX3556
M 1	Motor Unit(SPDL)	CXE2273
M 2	Motor Unit(LOAD/CRG)	CXC4026

64 DEH-X55HD/XNUC

1 2 3 4