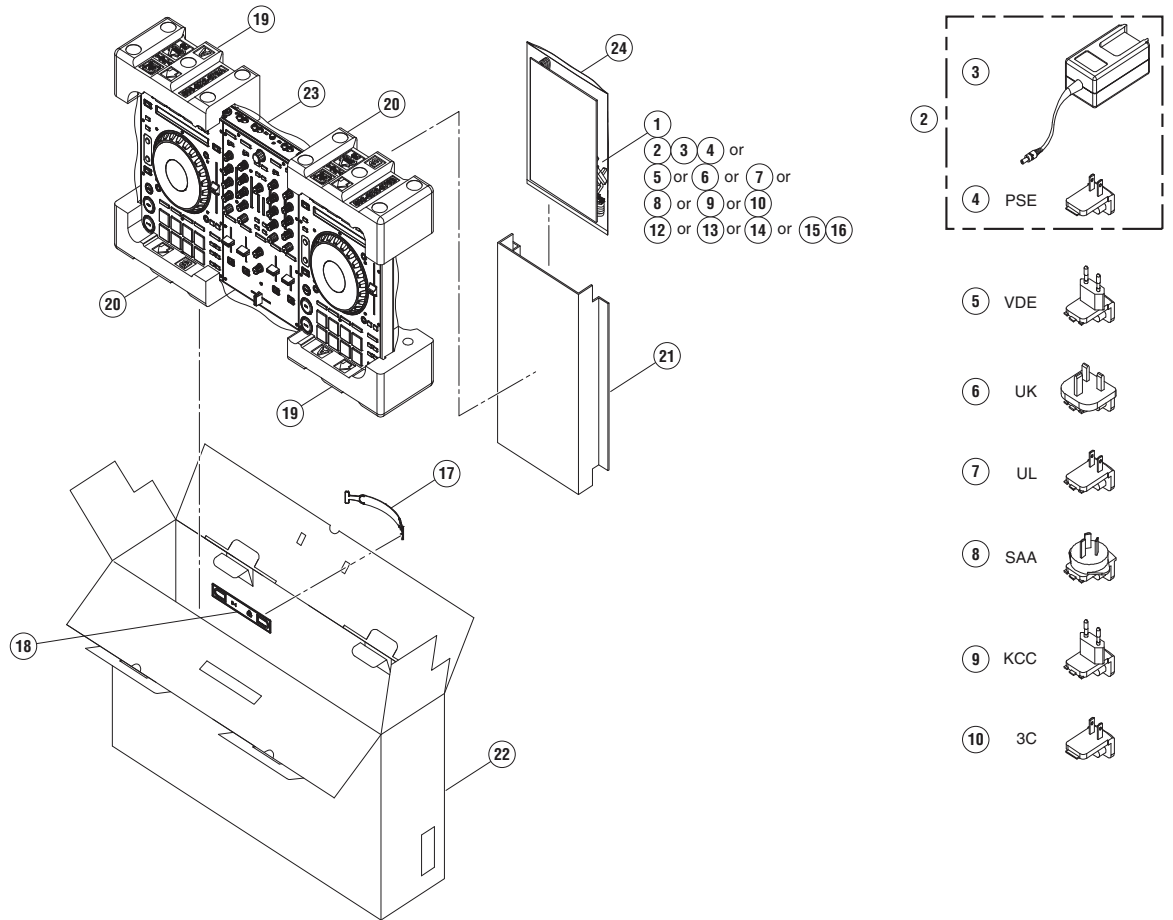


# 9. EXPLODED VIEWS AND PARTS LIST

- NOTES:**
- Parts marked by "NSP" are generally unavailable because they are not in our Master Spare Parts List.
  - The  $\triangle$  mark found on some component parts indicates the importance of the safety factor of the part. Therefore, when replacing, be sure to use parts of identical designation.
  - Screws adjacent to  $\nabla$  mark on product are used for disassembly.
  - For the applying amount of lubricants or glue, follow the instructions in this manual. (In the case of no amount instructions, apply as you think it appropriate.)

## 9.1 PACKING SECTION



**(1) PACKING SECTION PARTS LIST**

| <u>Mark No.</u> | <u>Description</u>                               | <u>Part No.</u>        | <u>Mark No.</u> | <u>Description</u>                            | <u>Part No.</u>        |
|-----------------|--|------------------------|-----------------|---|------------------------|
|                 | 1 USB Cable (L = 1500 mm)                        | 408-SUB-132            | 14              | Operating Instructions<br>(Quick Start Guide) | See Contrast table (2) |
| A               | ⚠ 2 1..Adapter + Plug Assy                       | See Contrast table (2) | 15              | Operating Instructions<br>(Quick Start Guide) | See Contrast table (2) |
|                 | ⚠ 3 2..AC Adapter                                | 411-SXMK3-957B         | NSP 16          | Serato DJ Pro EXPANSION<br>PACK VOUCHER       | •••••                  |
|                 | ⚠ 4 2..Power Plug PSE                            | See Contrast table (2) | 17              | Handle  | 100-SX-3017            |
|                 | ⚠ 5 Power Plug VDE                               | See Contrast table (2) | 18              | Handle Base                                   | 100-SX-3018            |
|                 | ⚠ 6 Power Plug UK                                | See Contrast table (2) | 19              | Polyfoam A (EPS)                              | 506-SX2-676AA          |
|                 | ⚠ 7 Power Plug UL                                | See Contrast table (2) | 20              | Polyfoam B (EPS)                              | 506-SX2-676BA          |
|                 | ⚠ 8 Power Plug SAA                               | See Contrast table (2) | 21              | Pasterboard                                   | 507-S1-3372            |
|                 | ⚠ 9 Power Plug KCC                               | See Contrast table (2) | 22              | Gift Box                                      | See Contrast table (2) |
|                 | ⚠ 10 Power 3C                                    | See Contrast table (2) | 23              | Soft Bag                                      | 509-DDJSX-320          |
| B               | 11 •••••   |                        | 24              | PE Bag (240*340 mm, 0.05T)                    | 505-DJM250-014         |
|                 | 12 Operating Instructions<br>(Quick Start Guide) | See Contrast table (2) |                 |   |                        |
|                 | 13 Operating Instructions<br>(Quick Start Guide) | See Contrast table (2) |                 |   |                        |

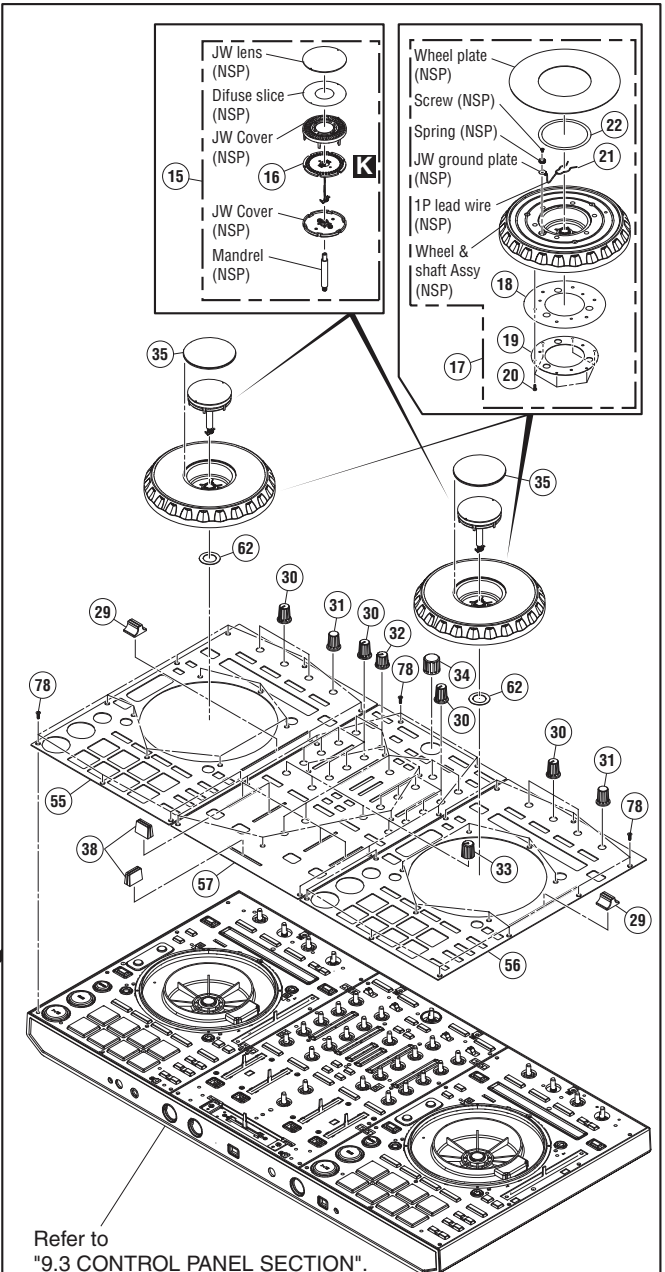
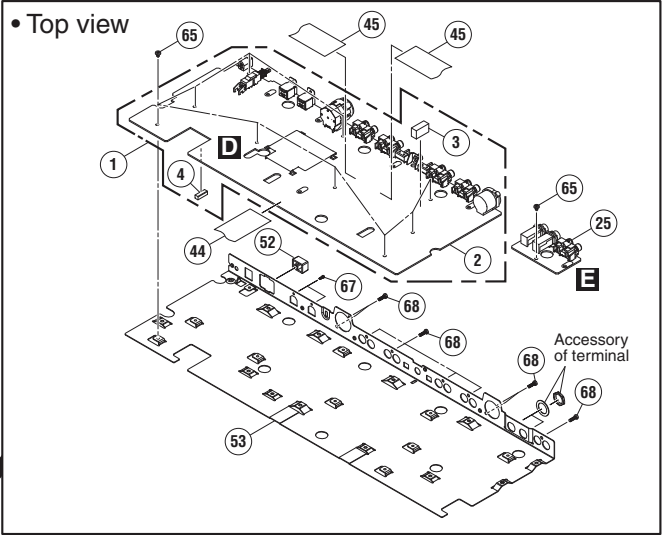
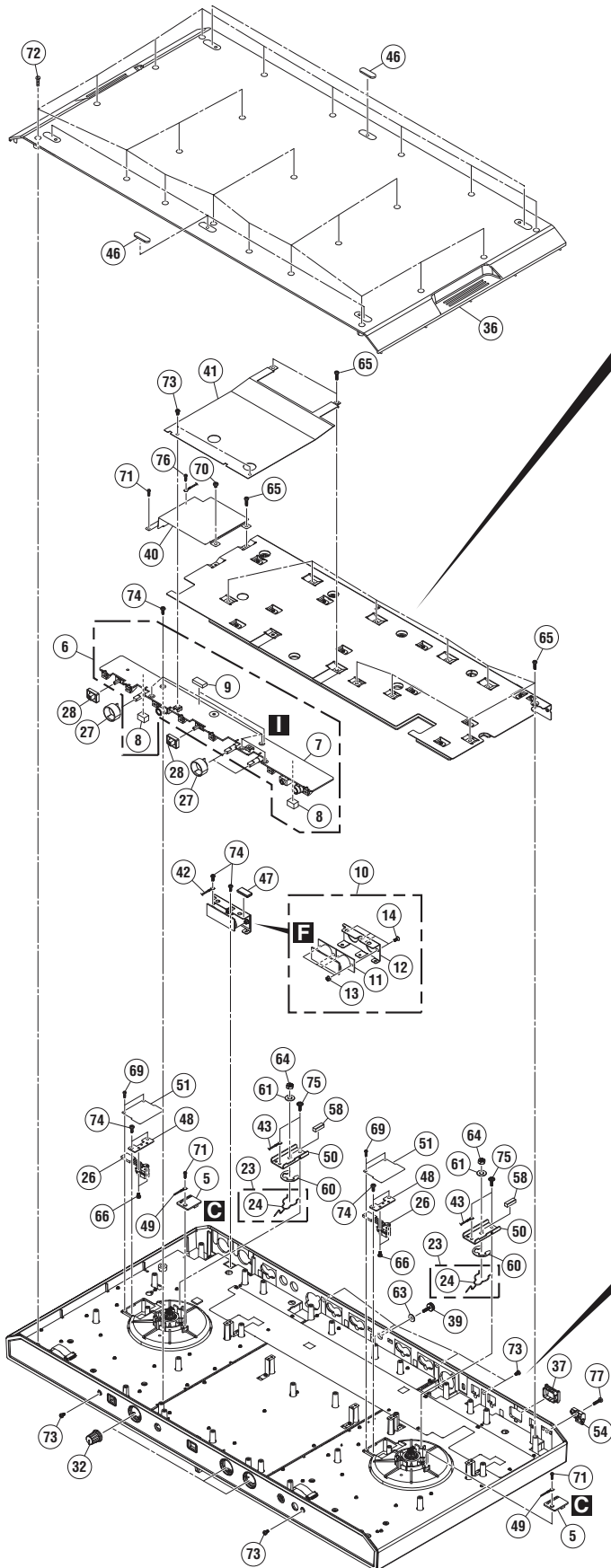
**(2) CONTRAST TABLE**

c DDJ-SX3/FJLPXEG, SVYXEG, UXEGCB and XEGCN are constructed the same except for the following:

| Mark | No. | Symbol and Description   | DDJ-SX3/FJLPXEG   | DDJ-SX3/SVYXEG    | DDJ-SX3/UXEGCB    | DDJ-SX3/XEGCN    |
|------|-----|--|-------------------|-------------------|-------------------|------------------|
| ⚠    | 2   | Adapter + Plug Assy  | 704-SX3-B906      | Not used          | Not used          | Not used         |
| ⚠    | 4   | Power Plug PSE   | 420-DJM250-409A   | Not used          | Not used          | Not used         |
| ⚠    | 5   | Power Plug VDE   | 420-SXMK3-455     | 420-SXMK3-455     | Not used          | Not used         |
| ⚠    | 6   | Power Plug UK  | 420-DJM250-362-HA | 420-DJM250-362-HA | Not used          | Not used         |
| ⚠    | 7   | Power Plug UL  | Not used          | Not used          | 420-DJM250-361-HA | Not used         |
| ⚠    | 8   | Power Plug SAA   | 420-DJM250-363-HA | Not used          | Not used          | Not used         |
| ⚠    | 9   | Power Plug KCC   | 420-SXMK3-456     | Not used          | Not used          | Not used         |
| ⚠    | 10  | Power 3C   | Not used          | Not used          | Not used          | 420-DJM250-408   |
| D    | 12  | Operating Instructions (Quick Start Guide)<br>(En, Es, Ja)                     | 502-DDJSX3D-3767  | Not used          | Not used          | Not used         |
|      | 13  | Operating Instructions (Quick Start Guide)<br>(En, Fr, De, It, Ni, Es, Pt, Ru) | Not used          | 502-DDJSX3B-3765  | Not used          | Not used         |
|      | 14  | Operating Instructions (Quick Start Guide)<br>(En)                             | Not used          | Not used          | 502-DDJSX3A-3763  | Not used         |
|      | 15  | Operating Instructions (Quick Start Guide)<br>(Zhcn)                           | Not used          | Not used          | Not used          | 502-DDJSX3C-3766 |
|      | 22  | Gift Box   | 507-SX3D-3370     | 507-SX3B-3370     | 507-SX3A-3370     | 507-SX3C-3370    |

# 9.2 BOTTOM SECTION

• Bottom view



**(1) BOTTOM SECTION PARTS LIST**

|     | <u>Mark No.</u> | <u>Description</u>                               | <u>Part No.</u>        | <u>Mark No.</u> | <u>Description</u>             | <u>Part No.</u>  |
|-----|-----------------|--|------------------------|-----------------|--------------------------------|------------------|
| A   | 1               | 1..IO PCB Assy & Sponge<br>& EVA Packing Assy    | 705-DDJSX3-1759        | 41              | Insulation Plate               | 300-SX3-2399     |
| NSP | 2               | 2..IO PCB Assy                                   | •••••                  | 42              | 1P Ground Wire                 | 406-8001-833     |
|     | 3               | 2..Cushion                                       | 612-SX2-362            | 43              | 1P Ground Wire                 | 406-MH2-825      |
|     | 4               | 2..Sponge  | 612-DJFA-373           | 44              | 30P 1.0 FFC Cable              | 406-S1MK2-1295   |
|     | 5               | TRANSFER PCB Assy                                | 704-SX3-B873           | 45              | 30P 1.0 FFC Cable (L = 250 mm) | 406-SX3-1405     |
|     | 6               | 1..Front PCB Assy & Sponge<br>& EVA Packing Assy | 705-DDJSX3-1760        | 46              | Foot Mat                       | 612-S1-445       |
| NSP | 7               | 2..FRONT PCB Assy                                | •••••                  | 47              | Sponge                         | 612-S1-461       |
|     | 8               | 2..Sponge  | 612-USOLOFX-369        | 48              | Sensor Fixed Plate             | 300-HDJ9800-981  |
|     | 9               | 2..Spacer  | 612-SX2-459            | 49              | Locking Cable Clip             | 300-HM510B-224   |
| B   | 10              | 1..BAL. PCB & Fixed Plate Assy                   | 704-SX3-B940           | 50              | JW LED Base                    | 300-S1-2049A     |
|     | 11              | 2..BAL. PCB Assy                                 | 704-SX3-B869           | 51              | Dust-Proof Slice               | 501-HDJ9800-1648 |
|     | 12              | 2..XLR Fixed Plate                               | 300-S1-2048            | 52              | Power Knob                     | 100-HDJ2000-1641 |
|     | 13              | 2..Nut M3 Washer                                 | 601-R2150-033          | 53              | IO Metal Plate                 | 300-SX3-2402     |
|     | 14              | 2..Screw (M3*8)                                  | 602-HMD510B-198        | 54              | Strain Relief Bush             | 100-S1-3000      |
|     | 15              | 1..LED & Cover Assy                              | 704-SX3-B938           | 55              | Top Panel L Assy (For Service) | 703-DDJSX3-1517  |
|     | 16              | 2..LED PCB Assy                                  | 704-SX3-B866           | 56              | Top Panel R Assy (For Service) | 703-DDJSX3-1518  |
|     | 17              | 1..WHEEL Assy                                    | 703-S1-1383-HA         | 57              | Mixer Panel Assy (For Service) | 703-DDJSX3-1519  |
| C   | 18              | 2..Encoder Plate                                 | 300-PROS2-848-HA       | 58              | Gasket                         | 612-DJFA-373     |
|     | 19              | 2..Encoder Fixed Plate                           | 300-PROS2-851-HA       | 59              | •••••                          |                  |
|     | 20              | 2..Screw   | 602-PROS2-363-HA       | 60              | E Type Washer                  | 606-S1-262       |
|     | 21              | 2..Clip  | 603-S1-395-HA          | 61              | Washer                         | 606-DDJLE-260    |
|     | 22              | 2..Twin Adhesive                                 | 501-S1-2526-HA         | 62              | Washer                         | 606-S1-261       |
|     | 23              | 1..Clip Wire Assy                                | 704-S1-A586            | 63              | Washer (10*3.2*1T)             | 606-S1-007       |
|     | 24              | 2..Clip (1 mm)                                   | 603-S1-394-HA          | 64              | Nut (M5, 7.9*3.8 mm)           | 601-MM1000-029   |
|     | 25              | OUTPUT PCB Assy                                  | 704-SX3-B868           | 65              | Screw                          | 602-B600-072     |
|     | 26              | SENSOR PCB Assy                                  | 704-PDJ33-A007         | 66              | Screw                          | 602-CTP3050-774B |
| D   | 27              | VR Cover   | 100-S1-3002            | 67              | Screw                          | 602-HP1010K-181  |
|     | 28              | Button   | 100-S1-3004            | 68              | Screw                          | 602-MK7-131      |
|     | 29              | Speed Push Button                                | 100-S1-3005            | 69              | Screw                          | 602-PROS2-363    |
|     | 30              | FX Rotate Knob                                   | 100-S1-3006            | 70              | Screw                          | 602-QMX2BPM-322  |
|     | 31              | Rotate Knob                                      | 100-S1-3007            | 71              | Screw                          | 602-SL24F-099    |
|     | 32              | Gain Rotate Knob                                 | 100-S1-3008            | 72              | Screw (TTP, 3*L12)             | 602-PTP3012-571  |
|     | 33              | Filter Rotate Knob                               | 100-S1-3009            | 73              | Screw (3*5L)                   | 602-MP3-324      |
|     | 34              | Browser Rotate Knob                              | 100-S1-3010            | 74              | Screw (TTP, 3*8, ZB)           | 602-DJ5500-452   |
|     | 35              | Windows Lens                                     | 100-SX3-2985           | 75              | Screw (3*10 M/M)               | 602-3113-122     |
| E   | 36              | Bottom Case                                      | See Contrast table (2) | 76              | Screw 2.6*10                   | 602-CDN88-563    |
|     | 37              | Button Frame                                     | 100-SX3-3411           | 77              | Screw (3*L12, Black)           | 602-BTB3012-446B |
|     | 38              | Push Button1                                     | 100-SXMK2-3157         | 78              | Screw (BTF, 2.6, L = 8)        | 602-HP1010K-182  |
|     | 39              | Ground Terminal                                  | 200-S1-665             |                 |                                |                  |
|     | 40              | Cover  | 300-S1-2059            |                 |                                |                  |

**(2) CONTRAST TABLE**

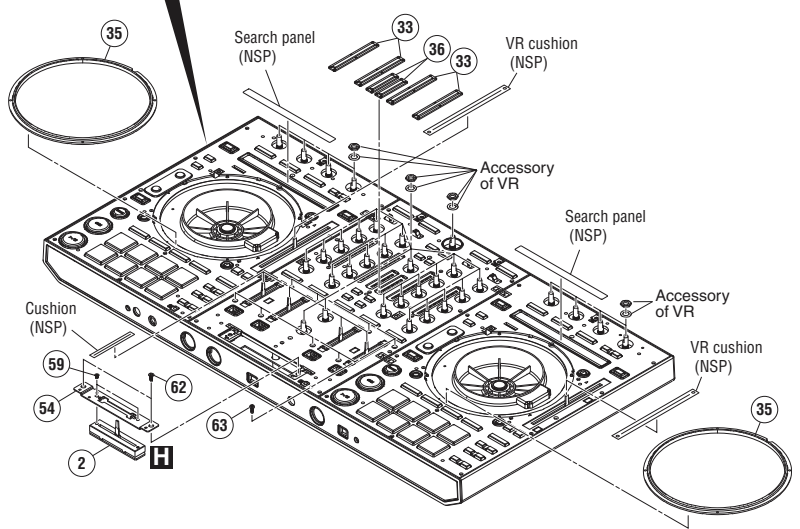
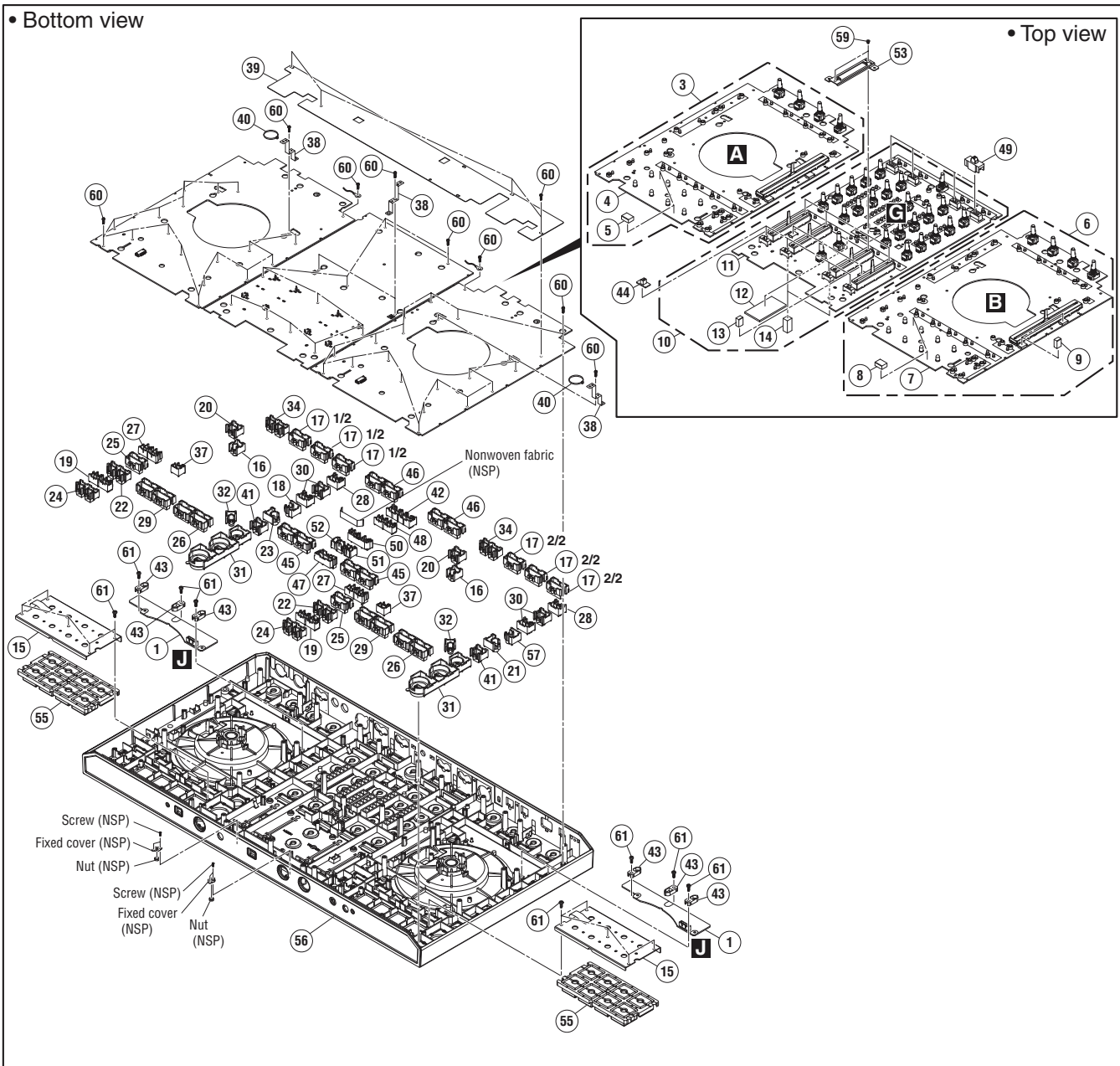
DDJ-SX3/FJLPXEG, SVYXEG, UXEGCB and XEGCN are constructed the same except for the following:

| Mark | No. | Symbol and Description | DDJ-SX3/FJLPXEG | DDJ-SX3/SVYXEG | DDJ-SX3/UXEGCB | DDJ-SX3/XEGCN |
|------|-----|------------------------|-----------------|----------------|----------------|---------------|
|      | 36  | Bottom Case            | 100-SX3-3408    | 100-SX3-3408   | 100-SX3-3408   | 100-SX3C-3408 |

# 9.3 CONTROL PANEL SECTION

• Bottom view

• Top view



**(1) CONTROL PANEL SECTION PARTS LIST**

| <u>Mark No.</u> | <u>Description</u>                               | <u>Part No.</u> | <u>Mark No.</u> | <u>Description</u>                 | <u>Part No.</u>        |
|-----------------|--|-----------------|-----------------|------------------------------------|------------------------|
| A               | 1 TOUCH PCB Assy                                 | 704-SX3-B874    | 31              | Play Sync Button                   | 100-SX3-2995           |
|                 | 2 CR FADER PCB Assy                              | 704-EN1000-9788 | 32              | Round Knob                         | 100-SX3-3160B          |
|                 | 3 1..Panel PCB (L) Assy<br>& Sponge Packing Assy | 705-DDJSX3-1761 | 33              | CH LM Lens                         | 100-SX3-3409           |
| NSP             | 4 2..CONTROL PCB Assy A                          | •••••           | 34              | CH1, CH2 Button                    | 100-SX3A-2994          |
|                 | 5 2..Sponge (10 X 8 X 5 mm)                      | 612-7K-573      | 35              | JW Ring                            | 100-SXMK2-3152         |
|                 | 6 1..Panel PCB (R) Assy<br>& Sponge Packing Assy | 705-DDJSX3-1762 | 36              | Master Lens                        | 100-SXMK2-3155         |
| NSP             | 7 2..CONTROL PCB Assy B                          | •••••           | 37              | Round Knob                         | 100-SXMK2-3160A        |
|                 | 8 2..Sponge (10 X 8 X 5 mm)                      | 612-7K-573      | 38              | Ground Plate                       | 300-S1-2051            |
|                 | 9 2..Sponge (8*6*18 mm)                          | 612-S1-451      | 39              | Isolation Slice                    | 501-S1-2542A           |
| B               | 10 1..MIXER PCB Assy<br>& Sponge Packing Assy    | 705-DDJSX3-1758 | 40              | Cable Tie                          | 504-S100-004           |
| NSP             | 11 2..MIX PCB Assy                               | •••••           | 41              | Shift Button                       | 100-S1-2989            |
|                 | 12 2..Spacer (60 X 30 X 1.5, EVA)                | 612-S1-449      | 42              | 2 Key Button                       | 100-S1-2992S           |
|                 | 13 2..Sponge (8*6*18 mm)                         | 612-S1-451      | 43              | Fixed Plate                        | 100-S1-2999            |
|                 | 14 2..Sponge (23 X 10 X 10 mm)                   | 612-7K-572      | 44              | CF Button                          | 100-S1-3003            |
|                 | 15 PAD & FSR Assy                                | 704-S1MK2-A962  | 45              | Cue Button                         | 100-S1B-2993           |
|                 | 16 Little Round Button                           | 100-S1-2991     | 46              | Load Button                        | 100-S1D-2993           |
| C               | 17 ON Button                                     | 100-S1-2993     | 47              | Master Cue Button                  | 100-SX3-2993           |
|                 | 18 Deck 2 Button                                 | 100-S1A-2990    | 48              | A, B Button                        | 100-SX3-2994           |
|                 | 19 In/Out Button                                 | 100-S1A-2994    | 49              | Input Selector                     | 100-SX3-3410           |
|                 | 20 Censor Button (-)                             | 100-S1B-2989    | 50              | CFX Button                         | 100-SX3A-3257          |
|                 | 21 Deck 3 Button                                 | 100-S1B-2990    | 51              | Filter Button                      | 100-SX3A-3259          |
|                 | 22 2X Button                                     | 100-S1B-2994    | 52              | Noise Button                       | 100-SX3B-3258          |
|                 | 23 Deck 4 Button                                 | 100-S1C-2990    | 53              | CH Fader Fixed Plate               | 300-S1-2046            |
|                 | 24 Button  | 100-S1C-2994    | 54              | CF Fixed Plate                     | 300-SX3-2397           |
|                 | 25 Auto Loop Button                              | 100-S1E-2993    | 55              | Velocity Soft Knob                 | 604-SX3-712            |
| D               | 26 Hot Cue/Roll Button                           | 100-SX2-3156    | 56              | Chassis Packing Assy (For Service) | See Contrast table (2) |
|                 | 27 1, 2 Button                                   | 100-SX2-3159    | 57              | Deck 1 Button                      | 100-S1-2990            |
|                 | 28 Censor Button                                 | 100-SX2A-2989   | 58              | •••••                              |                        |
|                 | 29 Hot Cue/Roll Button                           | 100-SX2A-3156   | 59              | Screw                              | 602-SA12-414           |
|                 | 30 Button Key                                    | 100-SX3-2989    | 60              | Screw                              | 602-SL24F-099          |
|                 |  |                 | 61              | Screw (TTP, 3*8, ZB)               | 602-DJ5500-452         |
|                 |  |                 | 62              | Screw (M3*8)                       | 602-HMD510B-198        |
|                 |  |                 | 63              | Screw (3*8 mm TTB)                 | 602-2002-077           |

**(2) CONTRAST TABLE**

DDJ-SX3/FJLPXEG, SVYXEG, UXEGCB and XEGCN are constructed the same except for the following:

| Mark | No. | Symbol and Description             | DDJ-SX3/FJLPXEG | DDJ-SX3/SVYXEG  | DDJ-SX3/UXEGCB  | DDJ-SX3/XEGCN |
|------|-----|------------------------------------|-----------------|-----------------|-----------------|---------------|
|      | 56  | Chassis Packing Assy (For Service) | 705-DDJSX3-1753 | 705-DDJSX3-1753 | 705-DDJSX3-1753 | 705-SX3C-1754 |

# 12. PCB PARTS LIST

NOTES: ● Parts marked by "NSP" are generally unavailable because they are not in our Master Spare Parts List.

● The  $\Delta$  mark found on some component parts indicates the importance of the safety factor of the part. Therefore, when replacing, be sure to use parts of identical designation.

- Although the cables that are directly mounted on each PCB Assy are listed individually as electrical parts of the corresponding PCB Assy in the parts list, those cables are included with each PCB Assy for service when it is supplied.
- Parts not described here are not registered as service parts. In principle, such parts cannot be supplied as service parts.

| Mark                      | No. | Description                                | Part No.        | Mark                 | No.                           | Description | Part No.        |
|---------------------------|-----|--|-----------------|----------------------|-------------------------------|-------------|-----------------|
| <b>LIST OF ASSEMBLIES</b> |     |  |                 |                      |                               |             |                 |
| NSP                       | 1.  | PANEL PCB (L) ASSY & SPONGE PACKING ASSY   | 705-DDJSX3-1761 |                      | D500,D501,D502,D503,D504      |             | 414-CD1000-075V |
|                           | 2.  | CONTROL PCB ASSY A                         | ●●●●            |                      | D505,D506,D507,D508,D509      |             | 414-CD1000-075V |
| NSP                       | 1.  | PANEL PCB (L) ASSY & SPONGE PACKING ASSY   | 705-DDJSX3-1762 |                      | D510,D511,D512,D513,D514      |             | 414-CD1000-075V |
|                           | 2.  | CONTROL PCB ASSY B                         | ●●●●            |                      | D515,D516,D517,D518,D519      |             | 414-CD1000-075V |
|                           | 1.  | TRANSFER PCB ASSY                          | 704-SX3-B873    |                      | D520,D521,D522,D523,D524      |             | 414-CD1000-075V |
| NSP                       | 1.  | IO PCB ASSY & SPONGE & EVA PACKING ASSY    | 705-DDJSX3-1759 |                      | D525,D526,D527,D528,D529      |             | 414-CD1000-075V |
|                           | 2.  | IO PCB ASSY                                | ●●●●            |                      | ZD500                         |             | 414-RMP3-285    |
|                           | 1.  | OUTPUT PCB ASSY                            | 704-SX3-B868    | <b>MISCELLANEOUS</b> |                               |             |                 |
|                           | 1.  | BAL. PCB & FIXED PLATE ASSY                | 704-SX3-B940    |                      | SW500,SW501                   |             | 403-DDJLE-416   |
|                           | 2.  | BAL. PCB ASSY                              | 704-SX3-B869    |                      | SW531                         |             | 403-DDJLE-418   |
| NSP                       | 1.  | MIXER PCB ASSY & SPONGE PACKING ASSY       | 705-DDJSX3-1758 |                      | SW502,SW503,SW504,SW505,SW506 |             | 403-DDJLE-419   |
|                           | 2.  | MIX PCB ASSY                               | ●●●●            |                      | SW507,SW508,SW509,SW510,SW511 |             | 403-DDJLE-419   |
|                           | 1.  | GR FADER PCB ASSY                          | 704-EN1000-9788 |                      | SW512,SW513,SW514,SW515,SW516 |             | 403-DDJLE-419   |
| NSP                       | 1.  | FRONT PCB ASSY & SPONGE & EVA PACKING ASSY | 705-DDJSX3-1760 |                      | SW517,SW518,SW519,SW520,SW521 |             | 403-DDJLE-419   |
|                           | 2.  | FRONT PCB ASSY                             | ●●●●            |                      | SW522,SW523,SW524,SW525,SW526 |             | 403-DDJLE-419   |
|                           | 1.  | TOUCH PCB ASSY                             | 704-SX3-B874    |                      | SW527,SW528,SW529,SW530       |             | 403-DDJLE-419   |
|                           | 1.  | LED & COVER ASSY                           | 704-SX3-B938    |                      | L501,L502,L503,L504,L505      |             | 415-COMBO-418   |
|                           | 2.  | LED PCB ASSY                               | 704-SX3-B866    |                      | L506,L507,L508,L509,L510      |             | 415-COMBO-418   |
|                           | 1.  | TOUCH PCB ASSY                             | 704-PDJ33-A007  |                      | L511,L512                     |             | 415-COMBO-418   |
|                           |     |  |                 |                      | L500                          |             | 415-USOLOPA-342 |
|                           |     |  |                 |                      | CN502 10P FFC CONNECTOR       |             | 404-CDMIX2-1142 |
|                           |     |  |                 |                      | CN501 4P 2.0 SOCKET           |             | 404-MC4K-3952   |
|                           |     |  |                 |                      | CN2B 30P 1.0 FFC SOCKET       |             | 404-S1-3739     |

| Mark     | No.      | Description               | Part No. | Mark | No.  | Description           | Part No.       |
|----------|----------|---------------------------|----------|------|------|-----------------------|----------------|
| <b>A</b> |          | <b>CONTROL PCB ASSY A</b> |          |      | W14  | 2P 2.5 CONNECTOR WIRE | 404-S1MK2-3883 |
|          | <b>B</b> | <b>CONTROL PCB ASSY B</b> |          |      | W500 | 6P 2.0 CONNECTOR WIRE | 404-S1MK2-3886 |
|          |          |                           |          |      |      | PLATE                 | 300-HP-2210    |
|          |          |                           |          |      |      | 1P GROUND WIRE        | 406-S1-1239    |

## SEMICONDUCTORS

|                               |                  |
|-------------------------------|------------------|
| IC504                         | 417-007USB-624   |
| IC500                         | 417-7K-1293      |
| IC505,IC506,IC507,IC508,IC509 | 417-DDJLE-1080   |
| IC510,IC511,IC512             | 417-DDJLE-1080   |
| IC502,IC503                   | 417-M1010-1230   |
| IC501                         | 417-MP3-429      |
| Q500                          | 416-50CU-437     |
| D544,D545                     | 410-7K-464       |
| D540,D541,D543,D554,D555      | 410-DJ5000-253T  |
| D556,D558,D559,D560,D561      | 410-DJ5000-253T  |
| D562,D563,D564,D565,D566      | 410-DJ5000-253T  |
| D567,D568,D569,D570,D571      | 410-DJ5000-253T  |
| D572,D573,D574                | 410-DJ5000-253T  |
| D539,D542                     | 410-HDJ2000-162T |
| D530,D531,D532,D533,D534      | 410-MC7K-449     |
| D535,D536,D537                | 410-MC7K-449     |
| D557                          | 410-SX3-478      |
| D546,D547,D548,D549,D550      | 410-SX3-479      |
| D551,D552,D553                | 410-SX3-479      |
| D538                          | 410-SX3-480      |

## RESISTORS

|                          |                  |
|--------------------------|------------------|
| R576,R577,R584,R585,R588 | 412-007USB-697   |
| R589,R592,R593,R596,R597 | 412-007USB-697   |
| R582,R583,R586,R587,R590 | 412-007USB-698   |
| R591,R594,R595           | 412-007USB-698   |
| R500,R501,R502,R503,R504 | 412-007USB-699   |
| R505,R506,R507           | 412-007USB-699   |
| R517,R518,R519           | 412-007USB-704   |
| R580,R581                | 412-900-1010     |
| R550,R553,R556,R559,R562 | 412-900-1016     |
| R565,R568,R571,R578      | 412-900-1016     |
| R522,R523,R524,R533,R534 | 412-CDVD2001-521 |
| R535,R545,R546,R548,R549 | 412-CDVD2001-521 |
| R551,R552,R554,R555,R557 | 412-CDVD2001-521 |
| R558,R560,R561,R563,R564 | 412-CDVD2001-521 |
| R566,R567,R569,R570,R572 | 412-CDVD2001-521 |
| R573,R574,R575,R579,R598 | 412-CDVD2001-521 |
| R600,R601,R602,R603,R604 | 412-CDVD2001-521 |
| R605,R606,R607,R608,R609 | 412-CDVD2001-521 |
| R610,R611,R612,R613,R614 | 412-CDVD2001-521 |
| R615,R616,R617,R618      | 412-CDVD2001-521 |

| Mark                          | No.                      | Description      | Part No.         |
|-------------------------------|--------------------------|------------------|------------------|
| A                             | R508,R509,R510,R511,R512 |                  | 412-CDVD2001-530 |
|                               | R513,R514,R515,R516,R544 |                  | 412-CDVD2001-530 |
|                               | R547,R619,R620,R621,R622 |                  | 412-CDVD2001-530 |
|                               | R623,R624,R625,R626,R627 |                  | 412-CDVD2001-530 |
|                               | R628,R629,R630,R631,R632 |                  | 412-CDVD2001-530 |
|                               | R633,R634,R635,R640,R641 |                  | 412-CDVD2001-530 |
|                               | R642,R643,R644,R645,R646 |                  | 412-CDVD2001-530 |
|                               | R647,R648,R649,R650,R651 |                  | 412-CDVD2001-530 |
|                               | R652,R653,R654,R655      |                  | 412-CDVD2001-530 |
|                               | R520,R521,R525,R526,R527 |                  | 412-CDVD2001-534 |
|                               | R528,R529,R530,R531,R532 |                  | 412-CDVD2001-534 |
|                               | R536,R537,R538,R539,R540 |                  | 412-CDVD2001-534 |
| R541,R542,R543,R636,R637      |                          | 412-CDVD2001-534 |                  |
| R638,R639,R656,R657,R658      |                          | 412-CDVD2001-534 |                  |
| R659                          |                          | 412-CDVD2001-534 |                  |
| R599                          |                          | 412-ID-1296      |                  |
| JW18,JW20,JW22,JW23,JW25      |                          | 412-DJ3000-414   |                  |
| JW26,JW28,JW29,JW45,JW51      |                          | 412-DJ3000-414   |                  |
| JW52,JW53,JW54,JW55,JW56      |                          | 412-DJ3000-414   |                  |
| JW57,JW58,JW60,JW61,JW65      |                          | 412-DJ3000-414   |                  |
| JW66,JW74,JW76,JW79,JW80      |                          | 412-DJ3000-414   |                  |
| JW83,JW97,JW98,JW99,JW100     |                          | 412-DJ3000-414   |                  |
| JW112,JW114,JW118,JW119,JW122 |                          | 412-DJ3000-414   |                  |
| JW123,JW142,JW143,JW145,JW146 |                          | 412-DJ3000-414   |                  |
| JW156,JW159,JW184,JW185,JW189 |                          | 412-DJ3000-414   |                  |
| JW191,JW195,JW197,JW200,JW201 |                          | 412-DJ3000-414   |                  |
| JW202,JW203,JW204,JW218,JW227 |                          | 412-DJ3000-414   |                  |
| JW228,JW231,JW236,JW238,JW239 |                          | 412-DJ3000-414   |                  |
| JW240,JW241,JW244,JW245,JW246 |                          | 412-DJ3000-414   |                  |
| JW247,JW253,JW257,JW265,JW266 |                          | 412-DJ3000-414   |                  |
| JW268,JW271,JW272,JW275,JW276 |                          | 412-DJ3000-414   |                  |
| JW277,JW280,JW283,JW284,JW285 |                          | 412-DJ3000-414   |                  |
| JW248,JW249,JW250,JW251       |                          | 412-HV3500K-367  |                  |
| JW252,JW255,JW256,JW264       |                          | 412-HV3500K-367  |                  |
| JW269,JW278,JW279             |                          | 412-HV3500K-367  |                  |
| VR500,VR501,VR502             |                          | 418-S1-694       |                  |
| P500                          |                          | 418-SX3-773      |                  |
| <b>CAPACITORS</b>             |                          |                  |                  |
| C571,C582                     |                          | 413-007USB-783   |                  |
| C531                          |                          | 413-007USB-787   |                  |
| C536,C537                     |                          | 413-007USB-828   |                  |
| C510                          |                          | 413-50DU-1381    |                  |
| C565,C570,C574,C575           |                          | 413-900-929      |                  |
| C511,C512                     |                          | 413-CDVD2001-265 |                  |
| C573,C576                     |                          | 413-DCM280-764   |                  |
| C538,C539,C540,C541,C546      |                          | 413-DCM280-767   |                  |
| C547,C548,C549,C572,C577      |                          | 413-DCM280-767   |                  |
| C526,C527                     |                          | 413-DCM280-768   |                  |
| C500,C501,C502,C503,C504      |                          | 413-DCM280-771   |                  |
| C505,C506,C507,C528,C529      |                          | 413-DCM280-771   |                  |
| C513,C514,C515,C516,C517      |                          | 413-DCM280-773   |                  |
| C518,C523,C524,C525,C530      |                          | 413-DCM280-773   |                  |
| C532,C533,C534,C535,C556      |                          | 413-DCM280-773   |                  |
| C557,C558,C559,C560,C562      |                          | 413-DCM280-773   |                  |
| C563,C564,C567,C568,C569      |                          | 413-DCM280-773   |                  |
| C578,C579,C580,C581,C583      |                          | 413-DCM280-773   |                  |
| C584,C508,C509                |                          | 413-DCM280-773   |                  |
| C561,C566                     |                          | 413-DV330-313    |                  |

| Mark                       | No.                           | Description | Part No.           |
|----------------------------|-------------------------------|-------------|--------------------|
|                            | C552,C555                     |             | 413-HT801K-192     |
|                            | C542,C543,C544,C545,C550      |             | 413-VP707B-831     |
|                            | C551,C552,C553                |             | 413-VP707B-831     |
| <b>C TRANSFER PCB ASSY</b> |                               |             |                    |
| <b>MISCELLANEOUS</b>       |                               |             |                    |
|                            | 6P SOCKET                     |             | 404-90V1-101       |
| <b>D IO PCB ASSY</b>       |                               |             |                    |
| <b>SEMICONDUCTORS</b>      |                               |             |                    |
|                            | IC25                          |             | 417-3113-018-HA    |
|                            | IC38                          |             | 417-50CU-1251      |
|                            | IC29                          |             | 417-7K-1294        |
|                            | IC27,IC32                     |             | 417-7K-1299        |
|                            | IC26                          |             | 417-DJM250-1054-HA |
|                            | IC34                          |             | 417-HDJ2000-503-HA |
|                            | IC46                          |             | 417-IQ2UM-970A-HA  |
|                            | IC33                          |             | 417-PDJ33-1045-HA  |
|                            | IC28                          |             | 417-PLX500-1274    |
|                            | IC36                          |             | 417-QUATTRO-1316   |
|                            | IC31                          |             | 417-QUATTRO-1318   |
|                            | IC41                          |             | 417-QUATTRO-1321   |
|                            | IC30                          |             | 417-RMX331-1183A   |
|                            | IC2,IC3,IC7,IC8               |             | 417-S1MK2-1168     |
|                            | IC1,IC4,IC5,IC6,IC9,IC10,IC11 |             | 417-ST150-599-HA   |
|                            | IC12,IC13,IC14,IC15,IC16,IC17 |             | 417-ST150-599-HA   |
|                            | IC18,IC19,IC20,IC21,IC22,IC23 |             | 417-ST150-599-HA   |
|                            | IC24                          |             | 417-SUB-1103       |
|                            | IC43                          |             | 417-SX3-1337       |
|                            | IC35                          |             | 417-SX3-1337       |
|                            | Q16,Q17,Q20,Q21,Q22,Q23       |             | 416-3000-378       |
|                            | Q24,Q25,Q26,Q27,Q28,Q29       |             | 416-3000-378       |
|                            | Q30,Q31,Q32,Q33,Q34,Q35       |             | 416-3000-378       |
|                            | Q36,Q37,Q38,Q39,Q40,Q41       |             | 416-3000-378       |
|                            | Q42,Q43                       |             | 416-3000-378       |
|                            | Q1,Q2,Q4                      |             | 416-7K-447         |
|                            | Q6                            |             | 416-7K-448         |
|                            | Q5,Q8,Q10,Q11,Q12,Q13         |             | 416-CDN88-044      |
|                            | Q14,Q18                       |             | 416-CDN88-044      |
|                            | Q7                            |             | 416-CDN88-045      |
|                            | Q3                            |             | 416-CTB200-166     |
|                            | Q15,Q19                       |             | 416-CTB200-178     |
|                            | Q9                            |             | 416-HDJ9700-210    |
|                            | D1,D4,D6,D8                   |             | 414-007USB-148V    |
|                            | D9,D10                        |             | 414-50CU-410       |
|                            | D2,D5,D7                      |             | 414-CD1000-075V    |
|                            | D16                           |             | 414-DJ1100G-207    |
|                            | D3                            |             | 414-MC6000-307     |
|                            | D15                           |             | 414-RMP3-285       |
|                            | ZD5                           |             | 414-50CU-406       |
| <b>MISCELLANEOUS</b>       |                               |             |                    |
|                            | SW2,SW3                       |             | 403-COMBO-427      |
|                            | SW1                           |             | 403-VP9812-162     |
|                            | L45                           |             | 415-COMBO-419      |
|                            | L24,L26                       |             | 415-FU800-305      |
|                            | L1,L2                         |             | 415-HV3500K-090V   |



| Mark              | No.                       | Description      | Part No.                      | Mark             | No. | Description | Part No. |
|-------------------|---------------------------|------------------|-------------------------------|------------------|-----|-------------|----------|
| A                 | R430,R454,R455,R456,R469  | 412-CDVD2001-534 | C155,C186,C187                | 413-007USB-786   |     |             |          |
|                   | R32,R33,R86,R87,R122,R123 | 412-CDVD2001-537 | C74,C75,C100,C101,C102        | 413-007USB-787   |     |             |          |
|                   | R131,R140,R141,R168,R177  | 412-CDVD2001-537 | C103,C112,C115,C131,C132      | 413-007USB-787   |     |             |          |
|                   | R178,R385,R386,R387,R388  | 412-CDVD2001-537 | C133,C134,C143,C146,C174      | 413-007USB-787   |     |             |          |
|                   | R389,R420,R421,R422,R423  | 412-CDVD2001-537 | C175,C176,C177,C206,C207      | 413-007USB-787   |     |             |          |
|                   | R424                      | 412-CDVD2001-537 | C208,C209,C248,C249,C272      | 413-007USB-787   |     |             |          |
|                   | R5,R22,R59,R3,R60,R79     | 412-CDVD2001-540 | C273,C274,C275,C300,C301      | 413-007USB-787   |     |             |          |
|                   | R80,R95,R96,R115,R116     | 412-CDVD2001-540 | C302,C303,C525,C526,C527      | 413-007USB-787   |     |             |          |
|                   | R127,R128,R164,R165,R226  | 412-CDVD2001-540 | C552,C553,C554,C555           | 413-007USB-787   |     |             |          |
|                   | R227,R236,R237,R244,R245  | 412-CDVD2001-540 | C63,C308,C314                 | 413-007USB-788   |     |             |          |
| B                 | R248,R249,R256,R257,R258  | 412-CDVD2001-540 | C19,C31,C57,C87,C88,C224      | 413-007USB-796   |     |             |          |
|                   | R259,R260,R261,R262,R263  | 412-CDVD2001-540 | C225,C231,C349,C350,C351      | 413-007USB-796   |     |             |          |
|                   | R264,R265,R302,R303,R304  | 412-CDVD2001-540 | C352,C353,C354,C376,C377      | 413-007USB-796   |     |             |          |
|                   | R305,R306,R307,R308,R309  | 412-CDVD2001-540 | C378,C379,C380,C381,C430      | 413-007USB-796   |     |             |          |
|                   | R380,R381,R382,R417,R418  | 412-CDVD2001-540 | C431,C432,C433,C434,C435      | 413-007USB-796   |     |             |          |
|                   | R419,R436,R483            | 412-CDVD2001-540 | C71                           | 413-007USB-828   |     |             |          |
|                   | R81,R117                  | 412-CDVD2001-543 | C160,C161,C192,C193           | 413-205-958A     |     |             |          |
|                   | R40,R41,R71,R72,R73,R74   | 412-CDVD2001-545 | C495                          | 413-50CU-1443V   |     |             |          |
|                   | R107,R108,R109,R110,R156  | 412-CDVD2001-545 | C51,C52,C60,C61,C66           | 413-50DU-1440    |     |             |          |
|                   | R157,R158,R159,R193,R194  | 412-CDVD2001-545 | C5                            | 413-6K2-1296     |     |             |          |
| C                 | R195,R196,R199            | 412-CDVD2001-545 | C460                          | 413-810-922      |     |             |          |
|                   | R437,R542                 | 412-CDVD2001-546 | C540,C541                     | 413-900-929      |     |             |          |
|                   | R375,R376,R377,R378,R379  | 412-CDVD2001-552 | C253,C259,C260,C261,C263      | 413-900-930      |     |             |          |
|                   | R412,R413,R414,R415,R416  | 412-CDVD2001-552 | C269,C270,C271                | 413-900-930      |     |             |          |
|                   | R433,R434,R435,R537,R538  | 412-CDVD2001-554 | C162,C163,C194,C195           | 413-900-934A     |     |             |          |
|                   | R539,R540,R541,R543,R544  | 412-CDVD2001-554 | C438                          | 413-900-942      |     |             |          |
|                   | R545,R546,R547,R548,R549  | 412-CDVD2001-554 | C239,C245,C246,C247,C281      | 413-900-943      |     |             |          |
|                   | R550                      | 412-CDVD2001-554 | C287,C288,C289,C291,C297      | 413-900-943      |     |             |          |
|                   | R372,R373,R409,R410       | 412-DCM280-755   | C298,C299                     | 413-900-943      |     |             |          |
|                   | R1                        | 412-DDJLE-1529   | C70,C158,C159,C190,C191       | 413-CDVD2001-265 |     |             |          |
| D                 | R10                       | 412-DDJLE-1530   | C494,C498,C499,C500           | 413-CDVD2001-265 |     |             |          |
|                   | R270,R271,R272,R273,R314  | 412-DJM250-1488  | C574                          | 413-CDVD2001-751 |     |             |          |
|                   | R315,R316,R317            | 412-DJM250-1488  | C496,C497                     | 413-CR701-5161   |     |             |          |
|                   | R16                       | 412-DMX101-1523  | C94,C95,C120,C125,C126        | 413-DCM280-767   |     |             |          |
|                   | R214,R215,R220,R221       | 412-G9900-1196   | C151,C168,C169,C200,C201      | 413-DCM280-767   |     |             |          |
|                   | R329,R330                 | 412-HT801K-219   | C309,C310,C311,C315,C575      | 413-DCM280-767   |     |             |          |
|                   | R556,R557,R558            | 412-HV3500K-367  | C17,C22,C35,C78,C108          | 413-DCM280-768   |     |             |          |
|                   | R2                        | 412-I1-1250      | C109,C139,C140,C182,C183      | 413-DCM280-768   |     |             |          |
|                   | R134,R135,R171,R172       | 412-LP3-1966     | C214,C215,C238,C244,C252      | 413-DCM280-768   |     |             |          |
|                   | R25,R14                   | 412-MX200-1407   | C258,C262,C268,C280,C286      | 413-DCM280-768   |     |             |          |
| E                 | R344,R345                 | 412-SA12-566     | C290,C296,C323,C329,C573      | 413-DCM280-768   |     |             |          |
|                   | R8                        | 412-SR-1622      | C48                           | 413-DCM280-769   |     |             |          |
|                   | R9                        | 412-SR-1657      | C43,C56,C62,C89,C226,C227     | 413-DCM280-771   |     |             |          |
|                   | R12                       | 412-TH1055-2032  | C229,C230,C232,C234,C357      | 413-DCM280-771   |     |             |          |
|                   | R20                       | 412-U5000-1140   | C384,C442,C473,C474,C475      | 413-DCM280-771   |     |             |          |
|                   | R92,R113,R125,R126,R162   | 412-CDVD2001-532 | C476,C477,C478,C479,C480      | 413-DCM280-771   |     |             |          |
|                   | J1,J2,J3,J5,J6,J7,J8      | 412-DJ3000-414   | C481,C482,C483,C484,C485      | 413-DCM280-771   |     |             |          |
|                   | J9,J10,J11,J12,R532       | 412-DJ3000-414   | C486,C487,C488,C489,C490      | 413-DCM280-771   |     |             |          |
|                   | J4,J13,J14                | 412-HV3500K-367  | C491,C492,C493                | 413-DCM280-771   |     |             |          |
|                   | R554,R555,R556,R557,R558  | 412-HV3500K-367  | C2,C3,C4,C10,C11,C12,C14      | 413-DCM280-773   |     |             |          |
| F                 | RB1,RB2,RB3,RB4,RB5       | 412-MC7K-1902    | C15,C16,C26,C27,C28,C29       | 413-DCM280-773   |     |             |          |
|                   | RB6,RB7,RB8,RB9           | 412-MC7K-1902    | C30,C36,C38,C41,C42,C45       | 413-DCM280-773   |     |             |          |
|                   |                           |                  | C49,C50,C54,C55,C58,C64       | 413-DCM280-773   |     |             |          |
|                   |                           |                  | C69,C73,C76,C77,C79,C80       | 413-DCM280-773   |     |             |          |
|                   |                           |                  | C81,C82,C83,C92,C93,C96,C97   | 413-DCM280-773   |     |             |          |
|                   |                           |                  | C104,C105,C106,C107,C110,C111 | 413-DCM280-773   |     |             |          |
|                   |                           |                  | C123,C124,C127,C128,C135      | 413-DCM280-773   |     |             |          |
|                   |                           |                  | C136,C137,C138,C141,C142      | 413-DCM280-773   |     |             |          |
|                   |                           |                  | C152,C153,C166,C167,C170      | 413-DCM280-773   |     |             |          |
|                   |                           |                  | C171,C178,C179,C180,C181      | 413-DCM280-773   |     |             |          |
| <b>CAPACITORS</b> |                           |                  |                               |                  |     |             |          |
|                   | C348,C375                 | 413-007USB-780   |                               |                  |     |             |          |
|                   | C542                      | 413-007USB-783   |                               |                  |     |             |          |
|                   | C65,C117,C118,C119,C148   | 413-007USB-784   |                               |                  |     |             |          |
|                   | C149,C150                 | 413-007USB-784   |                               |                  |     |             |          |
|                   | C90,C91,C121,C122,C154    | 413-007USB-786   |                               |                  |     |             |          |

| Mark | No.                      | Description | Part No.         |
|------|--------------------------|-------------|------------------|
|      | C184,C185,C198,C199,C202 |             | 413-DCM280-773   |
|      | C203,C210,C211,C212,C213 |             | 413-DCM280-773   |
|      | C216,C217,C218,C219,C220 |             | 413-DCM280-773   |
|      | C221,C222,C233,C316,C319 |             | 413-DCM280-773   |
|      | C320,C321,C322,C325,C326 |             | 413-DCM280-773   |
|      | C327,C328,C331,C332,C333 |             | 413-DCM280-773   |
|      | C334,C335,C336,C337,C338 |             | 413-DCM280-773   |
|      | C339,C340,C341,C342,C343 |             | 413-DCM280-773   |
|      | C344,C345,C346,C347,C358 |             | 413-DCM280-773   |
|      | C359,C360,C361,C362,C363 |             | 413-DCM280-773   |
|      | C364,C365,C366,C367,C368 |             | 413-DCM280-773   |
|      | C369,C370,C371,C372,C373 |             | 413-DCM280-773   |
|      | C374,C385,C386,C387,C388 |             | 413-DCM280-773   |
|      | C389,C390,C391,C392,C393 |             | 413-DCM280-773   |
|      | C394,C395,C396,C397,C398 |             | 413-DCM280-773   |
|      | C399,C400,C401,C402,C403 |             | 413-DCM280-773   |
|      | C404,C405,C406,C407,C408 |             | 413-DCM280-773   |
|      | C409,C410,C411,C412,C413 |             | 413-DCM280-773   |
|      | C414,C415,C416,C417,C418 |             | 413-DCM280-773   |
|      | C419,C420,C421,C422,C423 |             | 413-DCM280-773   |
|      | C424,C425,C426,C427,C428 |             | 413-DCM280-773   |
|      | C429,C440,C441,C443,C444 |             | 413-DCM280-773   |
|      | C445,C446,C448,C461,C462 |             | 413-DCM280-773   |
|      | C464,C465,C466,C467,C468 |             | 413-DCM280-773   |
|      | C469,C470,C472,C520,C521 |             | 413-DCM280-773   |
|      | C422,C523,C524,C528,C529 |             | 413-DCM280-773   |
|      | C530,C531,C532,C533,C534 |             | 413-DCM280-773   |
|      | C535,C536,C537,C538,C539 |             | 413-DCM280-773   |
|      | C543,C544,C545,C546,C547 |             | 413-DCM280-773   |
|      | C548,C549,C550,C551,C556 |             | 413-DCM280-773   |
|      | C557,C558,C559,C560,C561 |             | 413-DCM280-773   |
|      | C562,C563,C564           |             | 413-DCM280-773   |
|      | C355,C356,C382,C383      |             | 413-DCM280-809   |
|      | C18,C32,C44,C439         |             | 413-DM0604-1480  |
|      | C113,C114,C144,C145      |             | 413-DM1000-346   |
|      | C116,C147                |             | 413-HC1421FR-277 |
|      | C9                       |             | 413-HT8015-169   |
|      | C228,C501,C502,C503,C504 |             | 413-HT801K-192   |
|      | C505,C506,C507           |             | 413-HT801K-192   |
|      | C23,C24,C37,C39,C40,C68  |             | 413-HT801K-193   |
|      | C237,C250,C251,C276,C277 |             | 413-HT801K-193   |
|      | C278,C279,C304,C305,C306 |             | 413-HT801K-193   |
|      | C25,C307                 |             | 413-HT801K-193   |
|      | C317,C318                |             | 413-KT300-102    |
|      | C256,C266,C283,C284,C293 |             | 413-MC6000-1191  |
|      | C235,C265,C294           |             | 413-MC6000-1191  |
|      | C53,C67,C241,C242,C255   |             | 413-MC6000-1191  |
|      | C517                     |             | 413-MC6000-1192  |
|      | C1                       |             | 413-QSPAND-632   |
|      | C6,C72,C98,C99,C129,C130 |             | 413-SPPW3-235    |
|      | C164,C165,C172,C173,C196 |             | 413-SPPW3-235    |
|      | C197,C204,C205           |             | 413-SPPW3-235    |
|      | C312,C313                |             | 413-SPPW3-237    |
|      | C436,C437                |             | 413-U5000-1003   |
|      | C21,C47,C84,C85,C86,C223 |             | 413-VP707B-831   |
|      | C324,C330                |             | 413-VP707B-831   |
|      | C7                       |             | 413-X050-1058    |
|      | C509                     |             | 413-XP40IW-1195  |

| Mark     | No.                      | Description            | Part No.         |
|----------|--------------------------|------------------------|------------------|
| <b>E</b> |                          | <b>OUTPUT PCB ASSY</b> |                  |
|          |                          | <b>MISCELLANEOUS</b>   |                  |
|          | W6                       | 3P 2.0 CONNECTOR WIRE  | 404-S1-3754      |
|          | W8                       | 5P 2.0 CONNECTOR WIRE  | 404-S1MK2-3881   |
|          | VRA13,VRA14,VRA19,VRA20  |                        | 412-SX3-2062     |
|          | VRA21,VRA22              |                        | 412-SX3-2062     |
|          | JK9,JK10                 | 3P HEADPHONE JACK      | 420-CDMIX1-086   |
|          | JK11                     | 2P RCA JACK            | 420-CDN24A-051   |
|          |                          | CABLE TIE              | 504-S100-004     |
|          |                          | <b>CAPACITORS</b>      |                  |
|          | C450,C451                |                        | 413-007USB-787   |
|          | C454,C456,C457,C459      |                        | 413-DCM280-768   |
| <b>F</b> |                          | <b>BAL. PCB ASSY</b>   |                  |
|          |                          | <b>MISCELLANEOUS</b>   |                  |
|          | W7                       | 6P 2.0 CONNECTOR WIRE  | 404-S1MK2-3879   |
|          | VRA15,VRA16,VRA17,VRA18  |                        | 412-SX3-2062     |
|          | JK12,JK13                | XLR JACK               | 420-S1-3754      |
|          |                          | <b>CAPACITORS</b>      |                  |
|          | C452,C453,C455,C458      |                        | 413-DCM280-768   |
| <b>G</b> |                          | <b>MIX PCB ASSY</b>    |                  |
|          |                          | <b>SEMICONDUCTORS</b>  |                  |
|          | IC714                    |                        | 417-007USB-624   |
|          | IC706,IC707,IC708,IC709  |                        | 417-DDJLE-1080   |
|          | IC710,IC711,IC712,IC713  |                        | 417-DDJLE-1080   |
|          | IC704,IC705              |                        | 417-M1010-1230   |
|          | IC700,IC701,IC702,IC703  |                        | 417-MP3-429      |
|          | D776,D777,D778,D779      |                        | 410-7K-464       |
|          | Q20                      |                        | 416-50CU-437     |
|          | D735,D740,D742,D745,D746 |                        | 410-DJ5000-253T  |
|          | D749,D750,D754,D755,D758 |                        | 410-DJ5000-253T  |
|          | D766,D767,D768,D769,D770 |                        | 410-DJ5000-253T  |
|          | D771,D772,D773,D774,D775 |                        | 410-DJ5000-253T  |
|          | D780,D781,D784,D785      |                        | 410-DJ5000-253T  |
|          | D725,D732,D733,D734,D738 |                        | 410-HDJ2000-162T |
|          | D739,D744,D747,D748,D751 |                        | 410-HDJ2000-162T |
|          | D752,D753,D759,D760,D761 |                        | 410-HDJ2000-162T |
|          | D782,D783,D786,D787,D743 |                        | 410-HDJ2000-162T |
|          | D756,D757                |                        | 410-MC4K-448     |
|          | D718,D719,D720,D721,D722 |                        | 410-SX3-480      |
|          | D723,D724,D726,D727,D728 |                        | 410-SX3-480      |
|          | D729,D730,D731,D736,D737 |                        | 410-SX3-480      |
|          | D741,D762,D763,D764,D765 |                        | 410-SX3-480      |
|          | D700,D701,D702,D703,D704 |                        | 414-CD1000-075V  |
|          | D705,D706,D707,D708,D709 |                        | 414-CD1000-075V  |
|          | D710,D711,D712,D713,D714 |                        | 414-CD1000-075V  |
|          | D715,D716,D717           |                        | 414-CD1000-075V  |
|          |                          | <b>MISCELLANEOUS</b>   |                  |
|          | SW725                    |                        | 403-DDJLE-418    |
|          | SW708,SW709,SW710,SW711  |                        | 403-DDJLE-419    |
|          | SW712,SW713,SW714,SW715  |                        | 403-DDJLE-419    |
|          | SW716,SW717,SW718,SW719  |                        | 403-DDJLE-419    |
|          | SW720,SW721,SW722,SW723  |                        | 403-DDJLE-419    |

| Mark | No.                        | Description                     | Part No.       |
|------|----------------------------|---------------------------------|----------------|
| A    |                            | SW724                           | 403-DDJLE-419  |
|      |                            | SW704,SW705,SW706,SW707         | 403-ID-333     |
|      |                            | SW700,SW701                     | 403-SX3-494    |
|      |                            | SW702,SW703                     | 403-SX3-495    |
|      |                            | L700,L701,L702,L703,L704        | 415-COMBO-418  |
|      |                            | L705,L706,L707,L708,L709        | 415-COMBO-418  |
|      |                            | L710                            | 415-RMP4-456   |
|      |                            | CN1B 30P 1.0 FFC SOCKET         | 404-S1-3739    |
|      |                            | W700 3P 2.5~2.0 CONNECTOR WIRE  | 404-S1-3756    |
|      |                            | W701,W702 3P 2.0 CONNECTOR WIRE | 404-S1MK2-3906 |
|      | PLATE                      | 300-HP-2210                     |                |
|      | 1P GROUND WIRE             | 406-50DU-1359                   |                |
| B    | <b>RESISTORS</b>           |                                 |                |
|      | R706,R707,R708,R709        | 412-007USB-1401                 |                |
|      | R816,R817,R818,R819,R820   | 412-007USB-698                  |                |
|      | R821,R822,R823,R824,R825   | 412-007USB-698                  |                |
|      | R764,R765                  | 412-007USB-704                  |                |
|      | R725,R726                  | 412-3113-1329                   |                |
|      | R806,R807                  | 412-900-1010                    |                |
|      | R826,R827,R830,R831        | 412-900-1014                    |                |
|      | R834,R835,R836,R837        | 412-900-1060                    |                |
|      | R742,R743,R744,R745,R746   | 412-CDVD2001-521                |                |
|      | R747,R768,R769,R770,R771   | 412-CDVD2001-521                |                |
| C    | R772,R773,R774,R776,R777   | 412-CDVD2001-521                |                |
|      | R778,R779,R780,R781,R786   | 412-CDVD2001-521                |                |
|      | R787,R791,R812,R813,R814   | 412-CDVD2001-521                |                |
|      | R815,R880,R881             | 412-CDVD2001-521                |                |
|      | R700,R701,R702,R703,R704   | 412-CDVD2001-530                |                |
|      | R705,R710,R711,R712,R727   | 412-CDVD2001-530                |                |
|      | R728,R729,R828,R829,R832   | 412-CDVD2001-530                |                |
|      | R833,R842,R843,R844,R845   | 412-CDVD2001-530                |                |
|      | R846,R847,R848,R849,R850   | 412-CDVD2001-530                |                |
|      | R851,R852,R853,R854,R855   | 412-CDVD2001-530                |                |
| D    | R856,R858,R863,R857,R864   | 412-CDVD2001-530                |                |
|      | R865,R866,R867,R868,R869   | 412-CDVD2001-530                |                |
|      | R870,R871,R872,R873,R874   | 412-CDVD2001-530                |                |
|      | R875,R876,R877,R878,R879   | 412-CDVD2001-530                |                |
|      | R748,R749,R750,R751,R752   | 412-CDVD2001-534                |                |
|      | R753,R754,R755,R756,R757   | 412-CDVD2001-534                |                |
|      | R758,R759,R760,R761,R762   | 412-CDVD2001-534                |                |
|      | R763,R766,R767,R838,R839   | 412-CDVD2001-534                |                |
|      | R840,R841,R859,R860,R861   | 412-CDVD2001-534                |                |
|      | R862                       | 412-CDVD2001-534                |                |
| E    | R713,R714,R715,R716,R717   | 412-I1-1250                     |                |
|      | R718,R719,R720,R730,R731   | 412-I1-1250                     |                |
|      | R732,R733,R734,R735,R736   | 412-I1-1250                     |                |
|      | R737                       | 412-I1-1250                     |                |
|      | R775,R782,R783,R784,R785   | 412-ID-1296                     |                |
|      | R788,R789,R790,R792,R793   | 412-ID-1296                     |                |
|      | R794,R795,R796,R797,R798   | 412-ID-1296                     |                |
|      | R799,R800,R801,R802,R803   | 412-ID-1296                     |                |
|      | R804,R805,R808,R809,R810   | 412-ID-1296                     |                |
|      | R811                       | 412-ID-1296                     |                |
| F    | R721,R722,R723,R724,R738   | 412-MC6000-1446                 |                |
|      | R739,R740,R741             | 412-MC6000-1446                 |                |
|      | J10,J20,J67,J159,J161,J163 | 412-DJ3000-414                  |                |
|      | J164,J165,J166,J167,J171   | 412-DJ3000-414                  |                |
|      | J174,J176,J177,J178,J179   | 412-DJ3000-414                  |                |

| Mark | No.                           | Description         | Part No. |
|------|-------------------------------|---------------------|----------|
|      | J180,J182,J183,J184,J185      | 412-DJ3000-414      |          |
|      | J186,J187,J188,J192,J190      | 412-DJ3000-414      |          |
|      | J191,J194,J196,J197,J199      | 412-DJ3000-414      |          |
|      | J201,J203,J204,J205,J206      | 412-DJ3000-414      |          |
|      | J207,J208,J211,J212,J215      | 412-DJ3000-414      |          |
|      | J216,J217,J220,J221,J222      | 412-DJ3000-414      |          |
|      | J224,J226,J227,J230,J231      | 412-DJ3000-414      |          |
|      | J232,J233,J235,J236,J237      | 412-DJ3000-414      |          |
|      | J238,J239,J244,J245,J246      | 412-DJ3000-414      |          |
|      | J247,J248,J249,J250,J251      | 412-DJ3000-414      |          |
|      | J252,J253,J254,J255,J256      | 412-DJ3000-414      |          |
|      | J257,J258,J260,J261,J262      | 412-DJ3000-414      |          |
|      | J267,J268,J269,J270,J271      | 412-DJ3000-414      |          |
|      | J272,J276,J281,J282,J283      | 412-DJ3000-414      |          |
|      | J284,J285,J288,J292,J295      | 412-DJ3000-414      |          |
|      | J298                          | 412-DJ3000-414      |          |
|      | J189,J195,J275,J277,J279      | 412-HV3500K-367     |          |
|      | J280,J290,J291,J293,J297      | 412-HV3500K-367     |          |
|      | VR704,VR705,VR706,VR707       | 418-S1-693          |          |
|      | VR708,VR709,VR710,VR711       | 418-S1-693          |          |
|      | VR712,VR713,VR714,VR715       | 418-S1-693          |          |
|      | VR716,VR717,VR718,VR719       | 418-S1-693          |          |
|      | VR722,VR723,VR725,VR726,VR724 | 418-S1-694          |          |
|      | VR700,VR701,VR702,VR703       | 418-S1MK2-725A      |          |
|      | VR720,VR721                   | 418-S1MK2-726       |          |
|      | <b>CAPACITORS</b>             |                     |          |
|      | C786                          | 413-007USB-783      |          |
|      | C787                          | 413-007USB-786      |          |
|      | C741                          | 413-007USB-787      |          |
|      | C785,C788                     | 413-900-929         |          |
|      | C784                          | 413-DCM280-764      |          |
|      | C748,C749,C750,C751,C756      | 413-DCM280-767      |          |
|      | C757,C758,C759,C783           | 413-DCM280-767      |          |
|      | C746,C747                     | 413-DCM280-768      |          |
|      | C730,C731,C732,C737,C738      | 413-DCM280-771      |          |
|      | C739,C740,C744,C745,C768      | 413-DCM280-771      |          |
|      | C701,C702,C703,C704,C705      | 413-DCM280-773      |          |
|      | C706,C707,C708,C709,C710      | 413-DCM280-773      |          |
|      | C711,C712,C713,C714,C715      | 413-DCM280-773      |          |
|      | C716,C717,C718,C719,C720      | 413-DCM280-773      |          |
|      | C721,C722,C723,C724,C725      | 413-DCM280-773      |          |
|      | C726,C727,C728,C729,C733      | 413-DCM280-773      |          |
|      | C734,C735,C736,C742,C743      | 413-DCM280-773      |          |
|      | C764,C769,C770,C771,C772      | 413-DCM280-773      |          |
|      | C774,C775,C779,C780,C781      | 413-DCM280-773      |          |
|      | C782,C789,C790,C791,C792      | 413-DCM280-773      |          |
|      | C794                          | 413-DCM280-773      |          |
|      | C700                          | 413-DV300-5155      |          |
|      | C773,C778,C793                | 413-DV330-313       |          |
|      | C765,C766,C767                | 413-HT801K-192      |          |
|      | C752,C753,C754,C755,C760      | 413-VP707B-831      |          |
|      | C761,C762,C763                | 413-VP707B-831      |          |
|      | CN01 3P SOCKET                | 404-KMD3500-609A-HA |          |
|      | PC SHEET                      | 501-EN2000-2469     |          |

**CR FADER PCB ASSY**  
**MISCELLANEOUS**

| Mark | No. | Description | Part No. |
|------|-----|-------------|----------|
|------|-----|-------------|----------|

**RESISTORS**

|      |  |  |                |
|------|--|--|----------------|
| P115 |  |  | 418-EN2000-427 |
|------|--|--|----------------|

## I FRONT PCB ASSY

### SEMICONDUCTORS

|        |  |  |                  |
|--------|--|--|------------------|
| IC1100 |  |  | 417-MP3-429      |
| IC1101 |  |  | 417-ST150-599-HA |

**MISCELLANEOUS**

|               |                |  |                   |
|---------------|----------------|--|-------------------|
| SW1101        |                |  | 403-COMBO-427     |
| SW1100        |                |  | 403-S1-420        |
| JK1101,JK1102 | PH FIXED PLATE |  | 300-S1-2061       |
| CN4B          | 6P SOCKET      |  | 404-90V1-101      |
| CN1101        | 4P SOCKET      |  | 404-DCM270E3-878A |

|                      |                          |  |                  |
|----------------------|--------------------------|--|------------------|
| CN1100               | 5P SOCKET                |  | 404-KMD280A-318A |
| JK1101,JK1102        | 3P HEADPHONE JACK        |  | 420-CDMIX1-086   |
| JK1100               | HEADPHONE JACK           |  | 420-HDJ7100-063  |
| VR1100,VR1101,VR1102 | VR FIXED PLATE           |  | 300-6000-1874    |
|                      | JACK GROUND PLATE(0.25T) |  | 300-300-1171A    |
|                      | FIXED PLATE              |  | 300-4500-2010A   |
|                      | PLATE                    |  | 300-HP-2210      |
|                      | FIXED PLATE              |  | 300-SC1M-1621    |

**RESISTORS**

|             |  |  |                  |
|-------------|--|--|------------------|
| R1103       |  |  | 412-007USB-671   |
| R1114       |  |  | 412-007USB-672   |
| R1105       |  |  | 412-900-985      |
| R1100,R1101 |  |  | 412-900-994      |
| R1104,R1109 |  |  | 412-CDVD2001-532 |

|                         |  |  |                  |
|-------------------------|--|--|------------------|
| R1106                   |  |  | 412-CDVD2001-537 |
| R1102,R1108             |  |  | 412-CDVD2001-540 |
| R1107                   |  |  | 412-CDVD2001-543 |
| R1110,R1111,R1112,R1113 |  |  | 412-I1-1250      |
| J18                     |  |  | 412-DJ3000-414   |

|        |  |  |               |
|--------|--|--|---------------|
| VR1101 |  |  | 418-S1MK2-735 |
| VR1100 |  |  | 418-SX3-768   |
| VR1102 |  |  | 418-SXMK3-749 |

**CAPACITORS**

|                         |  |  |                  |
|-------------------------|--|--|------------------|
| C1110,C1111,C1113,C1116 |  |  | 413-007USB-784   |
| C1104,C1105             |  |  | 413-007USB-787   |
| C1122                   |  |  | 413-CDVD2001-265 |
| C1100,C1101             |  |  | 413-DCM280-769   |
| C1121                   |  |  | 413-DCM280-771   |

|                               |  |  |                  |
|-------------------------------|--|--|------------------|
| C1115,C1114,C1117,C1118,C1119 |  |  | 413-DCM280-773   |
| C1120,C1124,C1125,C1126,C1127 |  |  | 413-DCM280-773   |
| C1106,C1107,C1108,C1112       |  |  | 413-DM1000-346   |
| C1109                         |  |  | 413-HC1421FR-277 |

## J TOUCH PCB ASSY

### SEMICONDUCTORS

|       |  |  |                 |
|-------|--|--|-----------------|
| IC475 |  |  | 417-S1-1081     |
| D475  |  |  | 414-CD1000-075V |

**MISCELLANEOUS**

|      |                       |  |                 |
|------|-----------------------|--|-----------------|
| W5   | 8P 2.0 CONNECTOR WIRE |  | 404-S1MK2-3882  |
| DG1  | LEADWIRE              |  | 406-HF6011B-523 |
| L478 |                       |  | 415-JKME3-369   |

| Mark | No. | Description | Part No. |
|------|-----|-------------|----------|
|------|-----|-------------|----------|

**RESISTORS**

|                     |  |  |                  |
|---------------------|--|--|------------------|
| R475,R476           |  |  | 412-007USB-693   |
| R477,R479,R480,R481 |  |  | 412-CDVD2001-530 |
| R482                |  |  | 412-CDVD2001-552 |
| RB475,RB476,RB477   |  |  | 412-COMBO-1610   |

**CAPACITORS**

|                |  |  |                |
|----------------|--|--|----------------|
| C479           |  |  | 413-007USB-781 |
| C481           |  |  | 413-007USB-787 |
| C477           |  |  | 413-007USB-796 |
| C482,C483,C484 |  |  | 413-DCM280-764 |
| C475,C476      |  |  | 413-DCM280-773 |

## K LED PCB ASSY

### SEMICONDUCTORS

|                               |  |  |                 |
|-------------------------------|--|--|-----------------|
| IC1000,IC1001,IC1002,IC1003   |  |  | 417-DDJLE-1080  |
| IC1004                        |  |  | 417-DDJLE-1080  |
| Q1000                         |  |  | 416-50CU-437    |
| D1037,D1038,D1039,D1040,D1041 |  |  | 410-HDJ9700-214 |
| D1042,D1043,D1044             |  |  | 410-HDJ9700-214 |

|                               |  |  |            |
|-------------------------------|--|--|------------|
| D1000,D1001,D1002,D1003,D1004 |  |  | 410-S1-419 |
| D1005,D1006,D1007,D1008,D1009 |  |  | 410-S1-419 |
| D1010,D1011,D1012,D1013,D1014 |  |  | 410-S1-419 |
| D1015,D1016,D1017,D1018,D1019 |  |  | 410-S1-419 |
| D1020,D1021,D1022,D1023,D1024 |  |  | 410-S1-419 |

|                               |  |  |            |
|-------------------------------|--|--|------------|
| D1025,D1026,D1027,D1028,D1029 |  |  | 410-S1-419 |
| D1030,D1031,D1032,D1033,D1034 |  |  | 410-S1-419 |
| D1035                         |  |  | 410-S1-419 |

**MISCELLANEOUS**

|    |                |  |               |
|----|----------------|--|---------------|
| R  | 1P SIGNAL WIRE |  | 407-S1MK2-251 |
| B  | 1P SIGNAL WIRE |  | 407-S1MK2-252 |
| W  | 1P SIGNAL WIRE |  | 407-S1MK2-253 |
| BK | 1P SIGNAL WIRE |  | 407-S1MK2-254 |
| G  | 1P SIGNAL WIRE |  | 407-S1MK2-255 |

|                               |                |  |               |
|-------------------------------|----------------|--|---------------|
| A                             | 1P SIGNAL WIRE |  | 407-S1MK2-256 |
| L1000,L1001,L1002,L1003,L1004 |                |  | 415-SX3-523   |
| L1005                         |                |  | 415-SX3-523   |

**RESISTORS**

|                               |  |  |                  |
|-------------------------------|--|--|------------------|
| R1036                         |  |  | 412-007USB-699   |
| R1038,R1039,R1040,R1041,R1042 |  |  | 412-CDVD2001-530 |
| R1043,R1044,R1045             |  |  | 412-CDVD2001-530 |
| R1000,R1001,R1002,R1003,R1004 |  |  | 412-MH2-1138     |
| R1005,R1006,R1007,R1008,R1009 |  |  | 412-MH2-1138     |

|                               |  |  |              |
|-------------------------------|--|--|--------------|
| R1010,R1011,R1012,R1013,R1014 |  |  | 412-MH2-1138 |
| R1015,R1016,R1017,R1018,R1019 |  |  | 412-MH2-1138 |
| R1020,R1021,R1022,R1023,R1024 |  |  | 412-MH2-1138 |
| R1025,R1026,R1027,R1028,R1029 |  |  | 412-MH2-1138 |
| R1030,R1031,R1032,R1033,R1034 |  |  | 412-MH2-1138 |

|       |  |  |                |
|-------|--|--|----------------|
| R1035 |  |  | 412-MH2-1138   |
| J1    |  |  | 412-DJ3000-414 |

**CAPACITORS**

|                               |  |  |                 |
|-------------------------------|--|--|-----------------|
| C1006                         |  |  | 413-007USB-796  |
| C1007,C1008,C1009             |  |  | 413-DCM280-764  |
| C1000,C1001,C1002,C1003,C1004 |  |  | 413-DM0604-1487 |