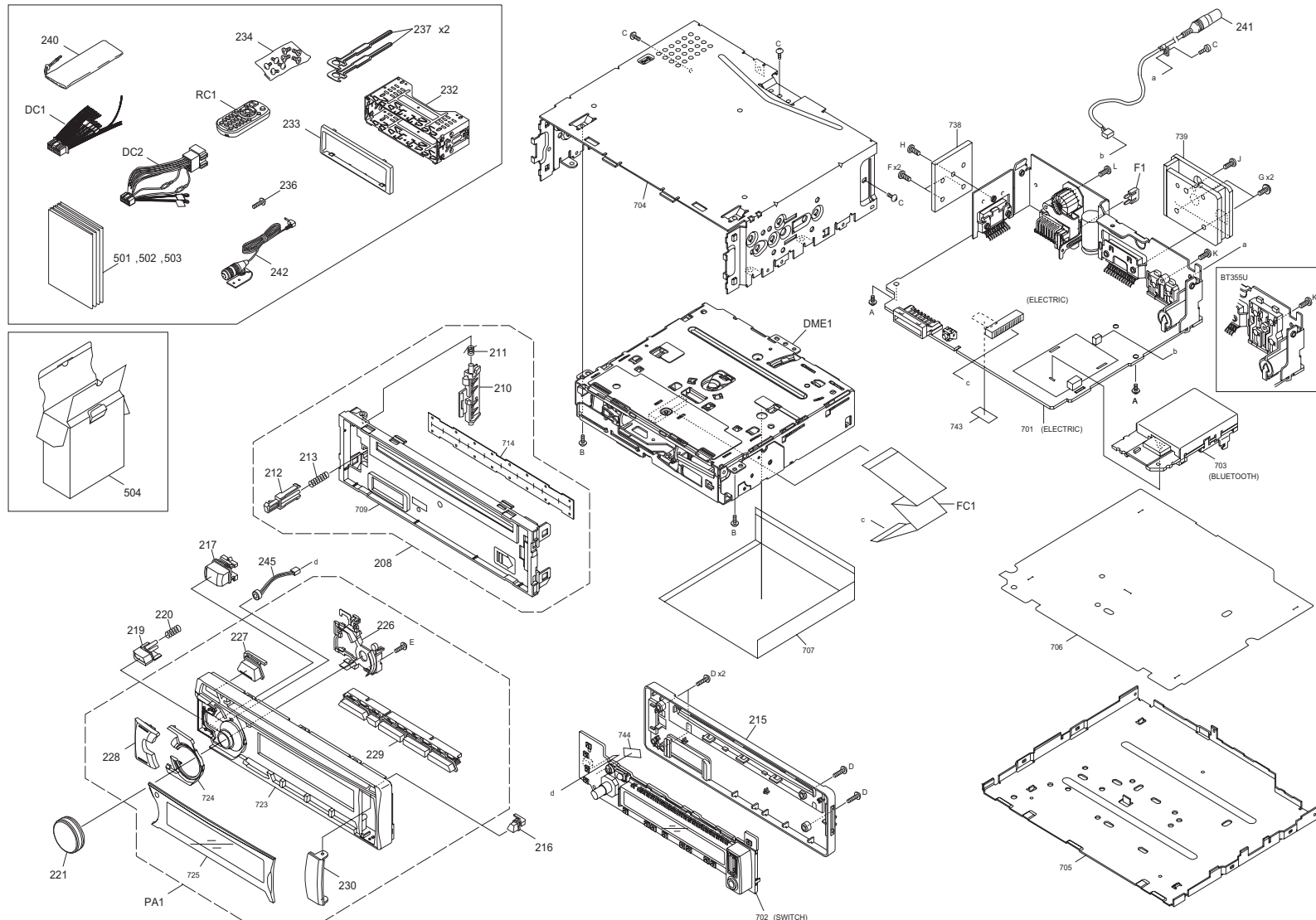


EXPLODED VIEW (UNIT)



Parts with the exploded numbers larger than 700 are not supplied.

MODEL	MARK	MODEL	MARK	MODEL	MARK
KDC-BT310U	K3	KDC-BT33U	E2	KDC-BT355U	K2

Safe	Symbol No.	Parts No.	Parts Name	Description	QTY	Local
------	------------	-----------	------------	-------------	-----	-------

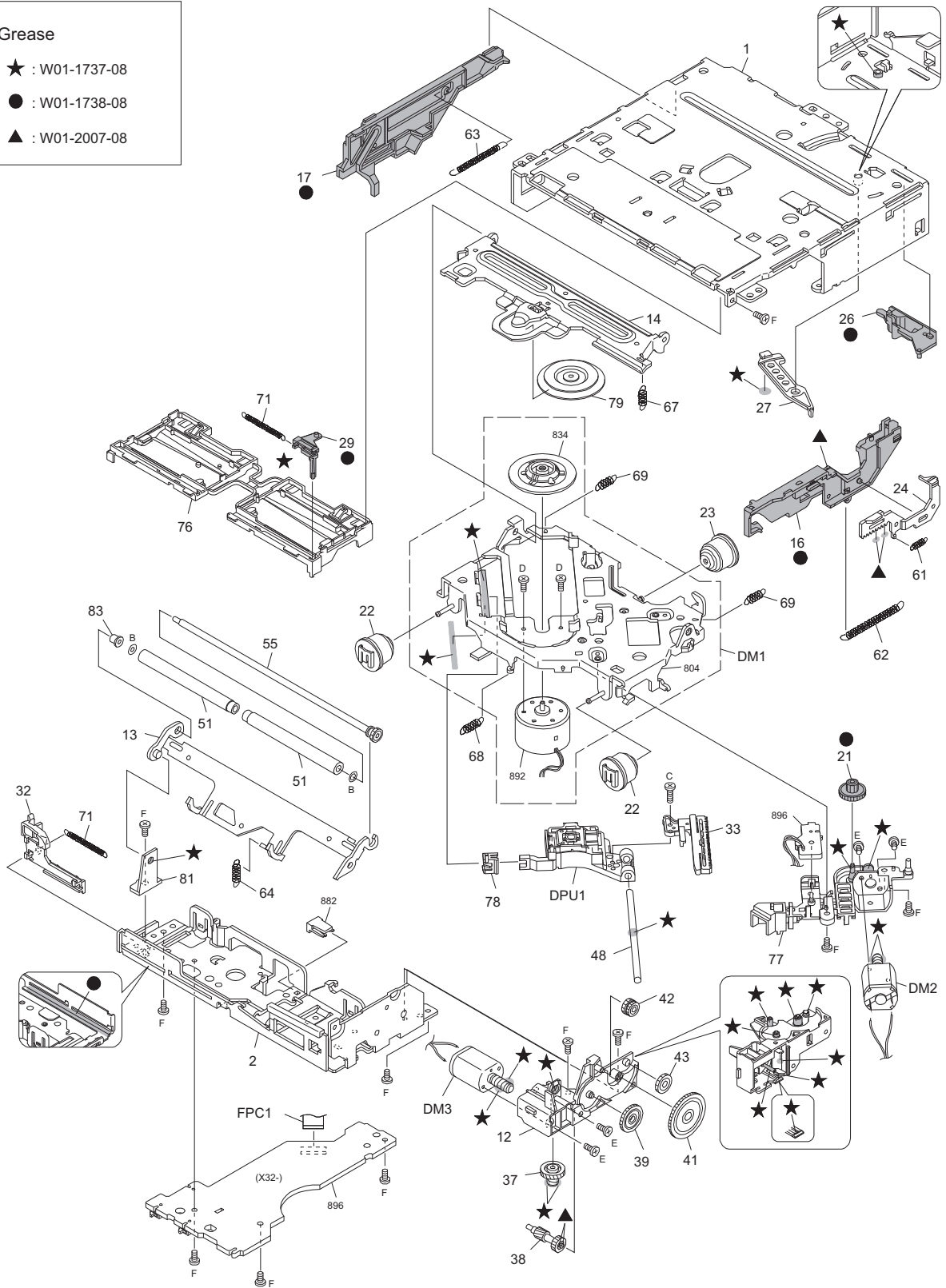
EXPLODED VIEW (UNIT) <200>

	DC1	QAM1336-001	DC CORD		1	K3,K2
	DC2	QAM1339-002	DC CORD		1	E2
	DME1	X92-6740-00	MECHANISM ASSY (HCS-1100W)		1	
△	F1	QMFZ064-100-J1	FUSE (10A)	10A	1	
	FC1	WJT0313-001A-E	E-CARD WIRE		1	
	PA1	GE20324-018A	F. PANEL ASSY		1	K3
	PA1	GE20323-009A	F. PANEL ASSY		1	E2
	PA1	GE20324-013A	F. PANEL ASSY		1	K2
	RC1	QAL1303-004	REMOTE CONTROL UNIT (RC-406)		1	K3,K2
	A	GE40377-002A	SCREW		2	
	B	QYSDST2604ZA	TAP SCREW	M2.6 x 4mm	2	
	C	QYSDST2606ZA	TAP SCREW	M2.6 x 6mm	3	K3,E2
	C	QYSDST2606ZA	TAP SCREW	M2.6 x 6mm	4	K2
	D	QYSPSF2008ZA	TAP SCREW	M2 x 8mm	4	
	E	QYSPSF2006ZA	TAP SCREW	M2 x 6mm	1	
	F	GE40662-001A	SPECIAL SCREW		2	
	G	GE40377-005A	SPECIAL SCREW		2	
	H	QYSDST2608ZA	TAP SCREW	M2.6 x 8mm	1	
	J	QYSDST2610ZA	TAP SCREW	M2.6 x 10mm	1	
	K	QYSDSF2608ZA	TAP SCREW	M2.6 x 8mm	1	
	L	QYSDSG3006ZA	TAP SCREW	M3 x 6mm	1	
	208	GE35115-001A	F.CHASSIS ASSY		1	
	210	GE35078-001A	LOCK LEVER		1	
	211	GE40504-001A	SPRING		1	
	212	GE35079-001A	RELEASE LEVER		1	
	213	GE40505-001A	SPRING		1	
	215	GE10352-002A	REAR COVER		1	
	216	GE35088-001A	EJECT BUTTON		1	
	217	GE40640-004A	KNOB ASSY (BT)		1	
	219	GE35102-001A	DETACH BUTTON		1	
	220	GE40505-002A	SPRING		1	
	221	GE40635-003A	VOL KNOB RUBBER		1	K3,K2
	221	GE40634-001A	VOL KNOB RUBBER		1	E2
	226	GE20322-001A	LIGHT GUIDE (USB)		1	
	227	GE35097-001A	SRC BUTTON		1	
	228	GE35094-001A	SEARCH BTN		1	
	229	GE20321-001A	PRESET BTN		1	
	230	GE35089-001A	USB DOOR COVER		1	
	232	GE34826-002A	M.SLEEVE ASSY		1	
	233	GE20300-001A	TRIM PLATE		1	
	234	GE40536-001A	SCREW SET		1	K2
	236	QYSPSF2008MA	TAP SCREW	M2 x 8mm	1	K3,K2
	237	GE40578-002A	HOOK		2	
	240	GE40521-001A	CARRYING CASE		1	E2,K2
	241	QAM1370-001	CAR CABLE (REAR MIC)		1	K2
	242	QAN0126-001	MICROPHONE (REAR) (3m)		1	K2
	245	QAN0125-001	MICROPHONE (FRONT) (34mm)		1	K3,E2
	501	GET0940-001A	INST BOOK	ENG FRE SPA	1	K3
	501	GET0858-001A	INST BOOK	ENG FRE SPA	1	K2
	502	GET0859-001A	INST BOOK	ENG GER RUS UKR	1	E2
	503	GET0859-002A	INST BOOK	FRE DUT ITA SPA POR	1	E2
	504	GE35662-001A	INNER CARTON		1	K3
	504	GE35358-001A	INNER CARTON		1	E2
	504	GE35354-002A	INNER CARTON		1	K2

EXPLODED VIEW (CD MECHANISM: X92-6740-00)

Block No.130

Grease
 ★ : W01-1737-08
 ● : W01-1738-08
 ▲ : W01-2007-08



Parts with the exploded numbers larger than 800 are not supplied.

MODEL	MARK	MODEL	MARK	MODEL	MARK
KDC-BT310U	K3	KDC-BT33U	E2	KDC-BT355U	K2

Safe	Symbol No.	Parts No.	Parts Name	Description	QTY	Local
------	------------	-----------	------------	-------------	-----	-------

EXPLODED VIEW (CD MECHANISM: X92-6740-00) <130>

DM1	X94-2150-00	SPINDLE MOTOR ASSY			1	
DM2	X94-2160-00	FEED MOTOR ASSY			1	
DM3	X94-2170-00	LOADING MOTOR ASSY			1	
DPU1	QAL1226-001	PICK UP			1	
FPC1	QAL0817-003	FPC			1	
B	LV45449-001A	WASHER			2	
C	QYSPSGT1745ZA	TAP SCREW	M1.7 x 4.5mm		1	
D	LV45568-001A	MINI SCREW			2	
E	QYSPSPT2025MA	SCREW	M2 x 2.5mm		4	
F	VKZ4539-054	MINI SCREW			11	
1	LV11685-503A	TOP FRAME			1	
2	LV11686-501A	BOTTOM FRAME			1	
12	LV11688-501A	LOADING BASE			1	
13	LV11690-501A	ROLLER ARM			1	
14	LV22825-502A	HC CLAMPER BASE			1	
16	LV22826-502A	LOAD CAM			1	
17	LV22827-501A	FL SLIDER(L)			1	
21	LV36815-501A	F WHEEL GEAR			1	
22	LV36904-001A	DAMPER			2	
23	LV37061-001A	DAMPER			1	
24	LV38951-501A	TRIGGER RACK			1	
26	LV38952-501A	FL SLIDER(B)			1	
27	LV38953-501A	TRIGGER PLATE			1	
29	LV38957-501A	SW SLIDER(R)			1	
32	LV39496-502A	SW ACTUATOR (2)			1	
33	LV38960-501A	FEED RACK			1	
37	LV38964-501A	D.WHEEL GEAR			1	
38	LV38965-501A	ACT GEAR(1)			1	
39	LV38966-501A	ACT GEAR(2)			1	
41	LV38967-501A	ACT GEAR(3)			1	
42	LV38968-501A	ROLLER ACT GEAR			1	
43	LV38969-501A	DRIVE GEAR			1	
48	LV44555-001A	MAIN SHAFT			1	
51	LV45424-001A	HC ROLLER			2	
55	X94-2190-00	ROLLER SHAFT ASSY			1	
61	LV45415-501A	TRIGGER SPRING			1	
62	LV45416-501A	LOAD CAM SPRING			1	
63	LV45417-501A	FL SLIDER SPRING			1	
64	LV45418-501A	R.ARM SPRING			1	
67	LV45421-501A	HC CL SPRING			1	
68	LV45422-501A	SUS SPRING(F)			1	
69	LV45423-501A	SUS SPRING(B)			2	
81	LV38954-501A	R.ARM GUIDE			1	
83	LV45648-501A	RA COLLAR (L) 2			1	
71	LV45505-502A	SW ACT SPRING			2	
76	LV11689-501A	DISC GUIDE			1	
77	LV22828-501A	FEED BRACKET			1	
78	LV36813-501A	SUB GUIDE CAP			1	
79	LV36819-502A	CLAMPER			1	

MODEL	MARK	MODEL	MARK	MODEL	MARK
KDC-BT310U	K3	KDC-BT33U	E2	KDC-BT355U	K2

Safe	Symbol No.	Parts No.	Parts Name	Description	QTY	Local
ELECTRIC UNIT (X34-745x-xx) <X34>						
△	IC1	TEF6614TV1S4-X	IC(ANALOGUE)		1	K3,K2
△	IC1	TEF6614TV1S3-X	IC(ANALOGUE)		1	E2
	IC80	MFI337S3959-X	MICROPROCESSOR IC		1	K3,K2
	IC120	BA4560RFVM-W	IC(ANALOGUE)		1	
	IC161	TDA7718B-X	IC(ANALOGUE)		1	K3,E2
	IC161	TDA7720B-X	IC(ANALOGUE)		1	K2
	IC180	XC6223F331PG-X	IC(ANALOGUE)		1	
△	IC301	TB2931HQ	IC(ANALOGUE)		1	
△	IC501	LV8281VR-X	IC(MOS-IC)		1	
	IC530	BU33TD3WG-W	IC(ANALOGUE)		1	
	IC531	BU15TD3WG-W	IC(ANALOGUE)		1	
	IC532	BU15TD3WG-W	IC(ANALOGUE)		1	
△	IC540	JCV8033	IC(MOS-IC)		1	
△	IC701	W10-0873-08	IC(MCU)		1	K3
△	IC701	W10-0835-08	IC(MCU)		1	E2
△	IC701	W10-0836-08	IC(MCU)		1	K2
	IC702	BU4828F-W	IC(MOS-IC)		1	
	IC771	BR24T02FJ-W-X	IC(ROM)		1	
△	IC901	LV5680NPVC	IC(ANALOGUE)		1	
	IC931	XC6213B332NG-X	IC(ANALOGUE)		1	
	IC981	BD9673EFJ-X	IC(MOS-IC)		1	
	Q321	IMX9-W	PAIR TRANSISTOR		1	
	Q341	IMX9-W	PAIR TRANSISTOR		1	K2
	Q540	2SA2188/F/-X	TRANSISTOR		1	
	Q701	LTA014YUB-X	DIGI TRANSISTOR		1	
	Q780	LTA024EUB-X	DIGI TRANSISTOR		1	
	Q781	LTC024EUB-X	DIGI TRANSISTOR		1	
	Q782	LTA024EUB-X	DIGI TRANSISTOR		1	
	Q951	2SA812/5-6/-X	TRANSISTOR		1	
	Q952	LTC044EUB-X	DIGI TRANSISTOR		1	
	Q970	LSCR523UB-X	TRANSISTOR		1	
	Q971	LSCR523UB-X	TRANSISTOR		1	
	D1	NAF0029-002X	ESD SUPPRESSOR		1	
	D100	DZ2J062/M/-X	ZENER DIODE		1	
	D101	DZ2J062/M/-X	ZENER DIODE		1	
	D110	DZ2J062/M/-X	ZENER DIODE		1	
	D111	DZ2J062/M/-X	ZENER DIODE		1	
	D184	DZ2J062/M/-X	ZENER DIODE		1	
	D321	BAW56-TP-X	SILICON DIODE		1	
	D341	BAW56-TP-X	SILICON DIODE		1	K2
	D502	GS1J-LTP-X	SILICON DIODE		1	
	D540	DA2J101-X	SILICON DIODE		1	
	D704	DZ2J062/M/-X	ZENER DIODE		1	
	D780	BAW56-TP-X	SILICON DIODE		1	
	D781	BAW56-TP-X	SILICON DIODE		1	
	D782	DA2J101-X	SILICON DIODE		1	
	D783	BAW56-TP-X	SILICON DIODE		1	
	D851	MBRX130-TP-X	SB DIODE		1	E2
	D852	MBRX130-TP-X	SB DIODE		1	E2
	D891	BAW56-TP-X	SILICON DIODE		1	
△	D901	1N5401-BPC04	SILICON DIODE		1	
	D902	MBRX130-TP-X	SB DIODE		1	
	D941	MBRX130-TP-X	SB DIODE		1	
	D942	MBRX130-TP-X	SB DIODE		1	
	D970	DZ2J068/M/-X	ZENER DIODE		1	
	D971	DZ2J068/M/-X	ZENER DIODE		1	
	D981	DB22306-X	SB DIODE		1	
	C1	NCB31HK-102X	C CAPACITOR	1000pF 50V K	1	
	C2	NDC31HJ-7R0X	C CAPACITOR	7pF 50V J	1	
	C3	NCB31HK-102X	C CAPACITOR	1000pF 50V K	1	
	C4	NCB31CK-224X	C CAPACITOR	0.22uF 16V K	1	
	C5	NDC31HJ-150X	C CAPACITOR	15pF 50V J	1	
	C6	NDC31HJ-6R0X	C CAPACITOR	6pF 50V J	1	
	C7	NDC31HJ-270X	C CAPACITOR	27pF 50V J	1	
	C10	NCB21CK-105X	C CAPACITOR	1uF 16V K	1	
	C11	NCB31HK-103X	C CAPACITOR	0.01uF 50V K	1	
	C12	NCB31HK-103X	C CAPACITOR	0.01uF 50V K	1	
	C13	NCB21CK-105X	C CAPACITOR	1uF 16V K	1	
	C14	NCB31CK-224X	C CAPACITOR	0.22uF 16V K	1	
	C15	NCB31HK-104X	C CAPACITOR	0.1uF 50V K	1	
	C16	NCB31HK-103X	C CAPACITOR	0.01uF 50V K	1	
	C17	NCB31HK-104X	C CAPACITOR	0.1uF 50V K	1	
	C18	NCB31HK-103X	C CAPACITOR	0.01uF 50V K	1	
	C19	NCB31HK-104X	C CAPACITOR	0.1uF 50V K	1	
	C20	NDC31HJ-120X	C CAPACITOR	12pF 50V J	1	
	C21	NCB31HK-104X	C CAPACITOR	0.1uF 50V K	1	
	C22	NCB31HK-104X	C CAPACITOR	0.1uF 50V K	1	
	C23	NCB31HK-104X	C CAPACITOR	0.1uF 50V K	1	
	C24	QEKJ1CM-107Z	E CAPACITOR	100uF 16V M	1	
	C26	NDC31HJ-471X	C CAPACITOR	470pF 50V J	1	
	C27	NDC31HJ-2R0X	C CAPACITOR	2pF 50V J	1	
	C28	NDC31HJ-100X	C CAPACITOR	10pF 50V J	1	K3,K2
	C80	NCB31HK-104X	C CAPACITOR	0.1uF 50V K	1	K3,K2
	C101	NCB31CK-105X	C CAPACITOR	1uF 16V K	1	
	C102	NCB31CK-105X	C CAPACITOR	1uF 16V K	1	
	C111	NCB31CK-105X	C CAPACITOR	1uF 16V K	1	
	C112	NCB31HK-104X	C CAPACITOR	0.1uF 50V K	1	
	C120	NDC31HJ-470X	C CAPACITOR	47pF 50V J	1	
	C121	NCB31CK-105X	C CAPACITOR	1uF 16V K	1	
	C122	NCB31CK-105X	C CAPACITOR	1uF 16V K	1	
	C123	NDC31HJ-470X	C CAPACITOR	47pF 50V J	1	

MODEL	MARK	MODEL	MARK	MODEL	MARK
KDC-BT310U	K3	KDC-BT33U	E2	KDC-BT355U	K2

Safe	Symbol No.	Parts No.	Parts Name	Description	QTY	Local
	C124	NDC31HJ-470X	C CAPACITOR	47pF 50V J	1	
	C125	NDC31HJ-470X	C CAPACITOR	47pF 50V J	1	
	C126	NCB31CK-105X	C CAPACITOR	1uF 16V K	1	
	C127	NCB31CK-105X	C CAPACITOR	1uF 16V K	1	
	C128	NCB31CK-105X	C CAPACITOR	1uF 16V K	1	
	C129	QEKJ1CM-107Z	E CAPACITOR	100uF 16V M	1	
	C130	NCB31HK-104X	C CAPACITOR	0.1uF 50V K	1	
	C150	NCB31HK-471X	C CAPACITOR	470pF 50V K	1	
	C151	NCB31HK-103X	C CAPACITOR	0.01uF 50V K	1	
	C152	NCB31HK-103X	C CAPACITOR	0.01uF 50V K	1	
	C155	NCB31HK-681X	C CAPACITOR	680pF 50V K	1	
	C156	NCB31HK-681X	C CAPACITOR	680pF 50V K	1	
	C160	QEKJ1EM-106Z	E CAPACITOR	10uF 25V M	1	
	C161	NCB31AK-105X	C CAPACITOR	1uF 10V K	1	
	C162	QERF1HM-475Z	E CAPACITOR	4.7uF 50V M	1	
	C166	NCB31HK-104X	C CAPACITOR	0.1uF 50V K	1	
	C168	NCB31HK-104X	C CAPACITOR	0.1uF 50V K	1	
	C169	NCB31CK-105X	C CAPACITOR	1uF 16V K	1	K3,E2
	C170	NCB31CK-105X	C CAPACITOR	1uF 16V K	1	
	C171	NCB31CK-105X	C CAPACITOR	1uF 16V K	1	K3,E2
	C172	QEKJ1CM-107Z	E CAPACITOR	100uF 16V M	1	
	C173	NCB31AK-105X	C CAPACITOR	1uF 10V K	1	
	C174	QERF1HM-475Z	E CAPACITOR	4.7uF 50V M	1	
	C175	NCB31CK-105X	C CAPACITOR	1uF 16V K	1	K2
	C177	NCB31AK-105X	C CAPACITOR	1uF 10V K	1	
	C180	NCB31HK-104X	C CAPACITOR	0.1uF 50V K	1	
	C182	NCB31HK-104X	C CAPACITOR	0.1uF 50V K	1	
	C184	NCB10JK-106X-A	C CAPACITOR	10uF 6.3V K	1	
	C185	NCB31HK-103X	C CAPACITOR	0.01uF 50V K	1	
	C186	QERF1HM-475Z	E CAPACITOR	4.7uF 50V M	1	
	C187	QERF1HM-475Z	E CAPACITOR	4.7uF 50V M	1	
	C188	NCB31HK-103X	C CAPACITOR	0.01uF 50V K	1	K2
	C189	NCB31HK-103X	C CAPACITOR	0.01uF 50V K	1	K2
	C190	QEKJ1CM-107Z	E CAPACITOR	100uF 16V M	1	
	C191	NCB31HK-104X	C CAPACITOR	0.1uF 50V K	1	
	C192	NCB31HK-104X	C CAPACITOR	0.1uF 50V K	1	
	C194	NCB31HK-103X	C CAPACITOR	0.01uF 50V K	1	
	C195	NDC31HJ-471X	C CAPACITOR	470pF 50V J	1	
	C197	NDC31HJ-121X	C CAPACITOR	120pF 50V J	1	K2
	C199	NCB31HK-471X	C CAPACITOR	470pF 50V K	1	
	C200	NCB31HK-471X	C CAPACITOR	470pF 50V K	1	
	C203	NDC31HJ-470X	C CAPACITOR	47pF 50V J	1	
	C305	NCB21CK-224X-A	C CAPACITOR	0.22uF 16V K	1	
	C306	NCB21CK-224X-A	C CAPACITOR	0.22uF 16V K	1	
	C307	NCB21CK-224X-A	C CAPACITOR	0.22uF 16V K	1	
	C308	NCB21CK-224X-A	C CAPACITOR	0.22uF 16V K	1	
	C309	QEKJ1EM-106Z	E CAPACITOR	10uF 25V M	1	
	C311	NCB31HK-223X	C CAPACITOR	0.022uF 50V K	1	
	C312	NCB31HK-223X	C CAPACITOR	0.022uF 50V K	1	
	C313	NCB21AK-105X-A	C CAPACITOR	1uF 10V K	1	
	C314	NCB31AK-105X	C CAPACITOR	1uF 10V K	1	
	C315	NCB31AK-105X	C CAPACITOR	1uF 10V K	1	
	C320	QEKJ1HM-106Z	E CAPACITOR	10uF 50V M	1	
	C321	NDC31HJ-101X	C CAPACITOR	100pF 50V J	1	
	C330	QEKJ1HM-106Z	E CAPACITOR	10uF 50V M	1	
	C331	NDC31HJ-101X	C CAPACITOR	100pF 50V J	1	
	C340	QEKJ1HM-106Z	E CAPACITOR	10uF 50V M	1	K2
	C341	NDC31HJ-101X	C CAPACITOR	100pF 50V J	1	K2
	C350	QEKJ1HM-106Z	E CAPACITOR	10uF 50V M	1	K2
	C351	NDC31HJ-101X	C CAPACITOR	100pF 50V J	1	K2
	C368	NCB31HK-103X	C CAPACITOR	0.01uF 50V K	1	
	C501	NCB31HK-104X	C CAPACITOR	0.1uF 50V K	1	
	C504	NCB31HK-104X	C CAPACITOR	0.1uF 50V K	1	
	C505	NCB31HK-473X	C CAPACITOR	0.047uF 50V K	1	
	C506	NCB31CK-224X	C CAPACITOR	0.22uF 16V K	1	
	C507	NCB31HK-104X	C CAPACITOR	0.1uF 50V K	1	
	C513	NCB31HK-104X	C CAPACITOR	0.1uF 50V K	1	
	C514	QERF1AM-107Z	E CAPACITOR	100uF 10V M	1	
	C530	NCB31AK-105X	C CAPACITOR	1uF 10V K	1	
	C531	NCB31HK-104X	C CAPACITOR	0.1uF 50V K	1	
	C532	NCB31CK-105X	C CAPACITOR	1uF 16V K	1	
	C533	NCB31HK-104X	C CAPACITOR	0.1uF 50V K	1	
	C534	NCB31HK-104X	C CAPACITOR	0.1uF 50V K	1	
	C535	NCB31HK-104X	C CAPACITOR	0.1uF 50V K	1	
	C540	NCB31HK-104X	C CAPACITOR	0.1uF 50V K	1	
	C541	NCB31HK-222X	C CAPACITOR	2200pF 50V K	1	
	C542	NCB31HK-104X	C CAPACITOR	0.1uF 50V K	1	
	C543	NCB31HK-103X	C CAPACITOR	0.01uF 50V K	1	
	C544	NCB31HK-332X	C CAPACITOR	3300pF 50V K	1	
	C545	NCB31HK-104X	C CAPACITOR	0.1uF 50V K	1	
	C546	NCB31CK-105X	C CAPACITOR	1uF 16V K	1	
	C547	NCB31HK-153X	C CAPACITOR	0.015uF 50V K	1	
	C548	NDC31HJ-680X	C CAPACITOR	68pF 50V J	1	
	C549	NCB31HK-104X	C CAPACITOR	0.1uF 50V K	1	
	C550	NCB20JK-106X-R	C CAPACITOR	10uF 6.3V K	1	
	C551	NCB31HK-104X	C CAPACITOR	0.1uF 50V K	1	
	C552	NCB31HK-333X	C CAPACITOR	0.033uF 50V K	1	
	C553	NCB31HK-472X	C CAPACITOR	4700pF 50V K	1	
	C554	NDC31HJ-331X	C CAPACITOR	330pF 50V J	1	
	C555	NDC31HJ-681X	C CAPACITOR	680pF 50V J	1	
	C556	NCB31CK-683X	C CAPACITOR	0.068uF 16V K	1	
	C557	NCB31HK-333X	C CAPACITOR	0.033uF 50V K	1	

MODEL	MARK	MODEL	MARK	MODEL	MARK
KDC-BT310U	K3	KDC-BT33U	E2	KDC-BT355U	K2

Safe	Symbol No.	Parts No.	Parts Name	Description	QTY	Local
	C558	NCB31HK-104X	C CAPACITOR	0.1uF 50V K	1	
	C559	NCB31HK-104X	C CAPACITOR	0.1uF 50V K	1	
	C561	NCB20JK-106X	C CAPACITOR	10uF 6.3V K	1	
	C562	NCB20JK-106X	C CAPACITOR	10uF 6.3V K	1	
	C564	NCB31HK-104X	C CAPACITOR	0.1uF 50V K	1	
	C565	NCB31HK-104X	C CAPACITOR	0.1uF 50V K	1	
	C566	NCB31HK-104X	C CAPACITOR	0.1uF 50V K	1	
	C567	NCB31CK-105X	C CAPACITOR	1uF 16V K	1	
	C568	NCB31HK-104X	C CAPACITOR	0.1uF 50V K	1	
	C569	NCB31HK-104X	C CAPACITOR	0.1uF 50V K	1	
	C570	NCB31HK-104X	C CAPACITOR	0.1uF 50V K	1	
	C571	NDC31HJ-470X	C CAPACITOR	47pF 50V J	1	
	C572	NCB31HK-153X	C CAPACITOR	0.015uF 50V K	1	
	C573	NCB31HK-104X	C CAPACITOR	0.1uF 50V K	1	
	C574	NCB31HK-103X	C CAPACITOR	0.01uF 50V K	1	
	C576	NCB31HK-152X	C CAPACITOR	1500pF 50V K	1	
	C582	NDC31HJ-102X	C CAPACITOR	1000pF 50V J	1	
	C583	NDC31HJ-102X	C CAPACITOR	1000pF 50V J	1	
	C592	NDC31HJ-101X	C CAPACITOR	100pF 50V J	1	
	C593	NDC31HJ-101X	C CAPACITOR	100pF 50V J	1	
	C701	NDC31HJ-180X	C CAPACITOR	18pF 50V J	1	
	C702	NDC31HJ-180X	C CAPACITOR	18pF 50V J	1	
	C703	NCB31HK-103X	C CAPACITOR	0.01uF 50V K	1	
	C704	QEKJ1CM-107Z	E CAPACITOR	100uF 16V M	1	
	C705	NCB31HK-104X	C CAPACITOR	0.1uF 50V K	1	
	C706	NCB31HK-104X	C CAPACITOR	0.1uF 50V K	1	
	C708	NCB31HK-104X	C CAPACITOR	0.1uF 50V K	1	
	C709	NCB31CK-474X	C CAPACITOR	0.47uF 16V K	1	
	C711	NCB31HK-104X	C CAPACITOR	0.1uF 50V K	1	
	C712	NCB31HK-104X	C CAPACITOR	0.1uF 50V K	1	
	C713	NCB31HK-104X	C CAPACITOR	0.1uF 50V K	1	
	C714	NCB31HK-104X	C CAPACITOR	0.1uF 50V K	1	
	C715	NCB31HK-104X	C CAPACITOR	0.1uF 50V K	1	
	C716	NCB31HK-104X	C CAPACITOR	0.1uF 50V K	1	
	C717	NCB31HK-104X	C CAPACITOR	0.1uF 50V K	1	
	C718	NCB31CK-474X	C CAPACITOR	0.47uF 16V K	1	
	C721	NCB20JK-106X	C CAPACITOR	10uF 6.3V K	1	E2
	C722	NCB10JK-106X-A	C CAPACITOR	10uF 6.3V K	1	
	C723	NCB31HK-473X	C CAPACITOR	0.047uF 50V K	1	
	C724	NDC31HJ-8R0X	C CAPACITOR	8pF 50V J	1	
	C725	NDC31HJ-8R0X	C CAPACITOR	8pF 50V J	1	
	C728	NCB31HK-103X	C CAPACITOR	0.01uF 50V K	1	
	C729	NCB20JK-106X	C CAPACITOR	10uF 6.3V K	1	
	C731	NCB31HK-104X	C CAPACITOR	0.1uF 50V K	1	
	C733	NCB10JK-106X-A	C CAPACITOR	10uF 6.3V K	1	
	C740	NCB31HK-103X	C CAPACITOR	0.01uF 50V K	1	
	C742	NDC31HJ-470X	C CAPACITOR	47pF 50V J	1	
	C743	NCB10JK-106X-A	C CAPACITOR	10uF 6.3V K	1	
	C746	NCB31CK-105X	C CAPACITOR	1uF 16V K	1	E2
	C747	NCB31HK-103X	C CAPACITOR	0.01uF 50V K	1	
	C748	NCB31CK-105X	C CAPACITOR	1uF 16V K	1	
	C749	NCB31HK-103X	C CAPACITOR	0.01uF 50V K	1	
	C750	NCB31HK-103X	C CAPACITOR	0.01uF 50V K	1	
	C791	NCB31CK-105X	C CAPACITOR	1uF 16V K	1	K3,K2
	C796	NDC31HJ-6R0X	C CAPACITOR	6pF 50V J	1	
	C808	NCB31HK-103X	C CAPACITOR	0.01uF 50V K	1	
	C891	NCB31HK-104X	C CAPACITOR	0.1uF 50V K	1	
	C901	QEZ0934-338	E CAPACITOR	3300uF	1	
	C903	QEKJ1CM-476Z	E CAPACITOR	47uF 16V M	1	
	C904	QEKJ1CM-476Z	E CAPACITOR	47uF 16V M	1	
	C905	NCB31HK-104X	C CAPACITOR	0.1uF 50V K	1	
	C906	QEKJ1CM-107Z	E CAPACITOR	100uF 16V M	1	
	C907	QERF0JM-337Z	E CAPACITOR	330uF 6.3V M	1	
	C908	NCB20JK-106X	C CAPACITOR	10uF 6.3V K	1	E2
	C909	NCB31HK-103X	C CAPACITOR	0.01uF 50V K	1	
	C910	QEKJ1EM-106Z	E CAPACITOR	10uF 25V M	1	
	C912	NCB31HK-104X	C CAPACITOR	0.1uF 50V K	1	
	C913	QERF0JM-337Z	E CAPACITOR	330uF 6.3V M	1	
	C915	NCB31CK-474X	C CAPACITOR	0.47uF 16V K	1	
	C917	NCB10JK-106X-A	C CAPACITOR	10uF 6.3V K	1	K3,K2
	C931	NCB31HK-104X	C CAPACITOR	0.1uF 50V K	1	
	C932	QERF0JM-337Z	E CAPACITOR	330uF 6.3V M	1	
	C933	NCB31HK-104X	C CAPACITOR	0.1uF 50V K	1	
	C941	NCB31HK-104X	C CAPACITOR	0.1uF 50V K	1	
	C954	NCB31HK-104X	C CAPACITOR	0.1uF 50V K	1	
	C963	QERF1AM-107Z	E CAPACITOR	100uF 10V M	1	
	C981	NCB10JK-106X-A	C CAPACITOR	10uF 6.3V K	1	
	C983	NCB31HK-682X	C CAPACITOR	6800pF 50V K	1	
	C984	NCB31HK-104X	C CAPACITOR	0.1uF 50V K	1	
	C985	NCJ11EK-106X-R	C CAPACITOR	10uF 25V	1	
	C987	NCB10JK-106X-A	C CAPACITOR	10uF 6.3V K	1	
	C989	NCJ11EK-106X-R	C CAPACITOR	10uF 25V	1	
	C990	NCB31HK-104X	C CAPACITOR	0.1uF 50V K	1	
	R1	NRSA63J-684X	MG RESISTOR	680kΩ 1/16W J	1	
	R2	NRSA63J-684X	MG RESISTOR	680kΩ 1/16W J	1	
	R4	NRSA63J-472X	MG RESISTOR	4.7kΩ 1/16W J	1	
	R6	NRSA63J-221X	MG RESISTOR	220Ω 1/16W J	1	
	R7	NRSA63J-221X	MG RESISTOR	220Ω 1/16W J	1	
	R8	NRS181J-220X	MG RESISTOR	22Ω 1/8W J	1	
	R9	NRSA63J-0R0X	MG RESISTOR	0Ω 1/10W J	1	E2
	R101	NRSA63J-473X	MG RESISTOR	47kΩ 1/16W J	1	
	R111	NRSA63J-473X	MG RESISTOR	47kΩ 1/16W J	1	
	R112	NRSA63J-471X	MG RESISTOR	470Ω 1/16W J	1	

MODEL	MARK	MODEL	MARK	MODEL	MARK
KDC-BT310U	K3	KDC-BT33U	E2	KDC-BT355U	K2

Safe	Symbol No.	Parts No.	Parts Name	Description	QTY	Local
	R120	NRSA63J-223X	MG RESISTOR	22kΩ 1/16W J	1	
	R121	NRSA63J-223X	MG RESISTOR	22kΩ 1/16W J	1	
	R122	NRSA63J-223X	MG RESISTOR	22kΩ 1/16W J	1	
	R123	NRSA63J-223X	MG RESISTOR	22kΩ 1/16W J	1	
	R124	NRSA63J-223X	MG RESISTOR	22kΩ 1/16W J	1	
	R125	NRSA63J-223X	MG RESISTOR	22kΩ 1/16W J	1	
	R126	NRSA63J-223X	MG RESISTOR	22kΩ 1/16W J	1	
	R127	NRSA63J-223X	MG RESISTOR	22kΩ 1/16W J	1	
	R128	NRSA63J-222X	MG RESISTOR	2.2kΩ 1/16W J	1	
	R129	NRSA63J-222X	MG RESISTOR	2.2kΩ 1/16W J	1	
	R130	NRSA63J-2R2X	MG RESISTOR	2.2Ω 1/16W J	1	
	R150	NRSA63J-0R0X	MG RESISTOR	0Ω 1/10W J	1	K3,E2
	R151	NRSA63J-0R0X	MG RESISTOR	0Ω 1/10W J	1	K2
	R152	NRSA63J-0R0X	MG RESISTOR	0Ω 1/10W J	1	K3,E2
	R161	NRSA63J-103X	MG RESISTOR	10kΩ 1/16W J	1	
	R162	NRSA63J-0R0X	MG RESISTOR	0Ω 1/10W J	1	
	R163	NRS181J-101X	MG RESISTOR	100Ω 1/8W J	1	
	R165	NRS181J-101X	MG RESISTOR	100Ω 1/8W J	1	
	R167	NRSA63J-222X	MG RESISTOR	2.2kΩ 1/16W J	1	K3,E2
	R168	NRS181J-0R0X	MG RESISTOR	0Ω 1/8W J	1	
	R177	NRSA63J-222X	MG RESISTOR	2.2kΩ 1/16W J	1	K2
	R178	NRSA63J-0R0X	MG RESISTOR	0Ω 1/10W J	1	
	R181	NRSA63J-473X	MG RESISTOR	47kΩ 1/16W J	1	
	R182	NRSA63J-473X	MG RESISTOR	47kΩ 1/16W J	1	
	R183	NRSA63J-472X	MG RESISTOR	4.7kΩ 1/16W J	1	
	R187	NRSA63J-472X	MG RESISTOR	4.7kΩ 1/16W J	1	
	R188	NRSA63J-101X	MG RESISTOR	100Ω 1/16W J	1	
	R189	NRSA63J-101X	MG RESISTOR	100Ω 1/16W J	1	
	R190	NRSA63J-101X	MG RESISTOR	100Ω 1/16W J	1	
	R192	NRSA63J-222X	MG RESISTOR	2.2kΩ 1/16W J	1	
	R193	NRSA63J-0R0X	MG RESISTOR	0Ω 1/10W J	1	K3,E2
	R194	NRSA63J-0R0X	MG RESISTOR	0Ω 1/10W J	1	K3,E2
	R195	NRSA63J-0R0X	MG RESISTOR	0Ω 1/10W J	1	K2
	R196	NRSA63J-0R0X	MG RESISTOR	0Ω 1/10W J	1	K2
	R199	NRSA63J-103X	MG RESISTOR	10kΩ 1/16W J	1	
	R201	NRS181J-181X	MG RESISTOR	180Ω 1/8W J	1	
	R202	NRS181J-181X	MG RESISTOR	180Ω 1/8W J	1	
	R302	NRSA63J-473X	MG RESISTOR	47kΩ 1/16W J	1	
	R304	NRSA63J-0R0X	MG RESISTOR	0Ω 1/10W J	1	
	R307	NRSA63J-0R0X	MG RESISTOR	0Ω 1/10W J	1	
	R308	NRSA63J-222X	MG RESISTOR	2.2kΩ 1/16W J	1	
	R310	NRS181J-5R1X	MG RESISTOR	5.1Ω 1/8W J	1	
	R320	NRSA63J-331X	MG RESISTOR	330Ω 1/16W J	1	
	R321	NRSA63J-223X	MG RESISTOR	22kΩ 1/16W J	1	
	R322	NRSA63J-181X	MG RESISTOR	180Ω 1/16W J	1	
	R323	NRSA63J-0R0X	MG RESISTOR	0Ω 1/10W J	1	
	R330	NRSA63J-331X	MG RESISTOR	330Ω 1/16W J	1	
	R331	NRSA63J-223X	MG RESISTOR	22kΩ 1/16W J	1	
	R332	NRSA63J-181X	MG RESISTOR	180Ω 1/16W J	1	
	R333	NRSA63J-0R0X	MG RESISTOR	0Ω 1/10W J	1	
	R335	NRSA63J-0R0X	MG RESISTOR	0Ω 1/10W J	1	K3,E2
	R340	NRSA63J-331X	MG RESISTOR	330Ω 1/16W J	1	K2
	R341	NRSA63J-223X	MG RESISTOR	22kΩ 1/16W J	1	K2
	R342	NRSA63J-181X	MG RESISTOR	180Ω 1/16W J	1	K2
	R347	NRSA63J-472X	MG RESISTOR	4.7kΩ 1/16W J	1	K2
	R349	NRSA63J-472X	MG RESISTOR	4.7kΩ 1/16W J	1	K2
	R350	NRSA63J-331X	MG RESISTOR	330Ω 1/16W J	1	K2
	R351	NRSA63J-223X	MG RESISTOR	22kΩ 1/16W J	1	K2
	R352	NRSA63J-181X	MG RESISTOR	180Ω 1/16W J	1	K2
	R357	NRSA63J-472X	MG RESISTOR	4.7kΩ 1/16W J	1	
	R358	NRSA63J-472X	MG RESISTOR	4.7kΩ 1/16W J	1	
	R400	NRZ0084-0R0X	MG RESISTOR	0Ω	1	
	R401	NRZ0084-0R0X	MG RESISTOR	0Ω	1	
	R402	NRS181J-0R0X	MG RESISTOR	0Ω 1/8W J	1	
	R403	NRSA63J-0R0X	MG RESISTOR	0Ω 1/10W J	1	
	R405	NRS181J-0R0X	MG RESISTOR	0Ω 1/8W J	1	
	R406	NRS181J-0R0X	MG RESISTOR	0Ω 1/8W J	1	
	R407	NRSA63J-0R0X	MG RESISTOR	0Ω 1/10W J	1	
	R408	NRS181J-0R0X	MG RESISTOR	0Ω 1/8W J	1	
	R409	NRS181J-0R0X	MG RESISTOR	0Ω 1/8W J	1	
	R410	NRZ0084-0R0X	MG RESISTOR	0Ω	1	
	R411	NRS181J-0R0X	MG RESISTOR	0Ω 1/8W J	1	
	R413	NRS181J-0R0X	MG RESISTOR	0Ω 1/8W J	1	
	R414	NRS181J-0R0X	MG RESISTOR	0Ω 1/8W J	1	
	R417	NRSA63J-0R0X	MG RESISTOR	0Ω 1/10W J	1	
	R418	NRSA63J-0R0X	MG RESISTOR	0Ω 1/10W J	1	
	R419	NRSA63J-0R0X	MG RESISTOR	0Ω 1/10W J	1	
	R421	NRS181J-0R0X	MG RESISTOR	0Ω 1/8W J	1	
	R422	NRSA63J-0R0X	MG RESISTOR	0Ω 1/10W J	1	
	R430	NRS181J-0R0X	MG RESISTOR	0Ω 1/8W J	1	
	R431	NRS181J-0R0X	MG RESISTOR	0Ω 1/8W J	1	
	R432	NRSA63J-0R0X	MG RESISTOR	0Ω 1/10W J	1	
	R436	NRSA63J-0R0X	MG RESISTOR	0Ω 1/10W J	1	K2
	R437	NRSA63J-0R0X	MG RESISTOR	0Ω 1/10W J	1	K2
	R440	NRSA63J-0R0X	MG RESISTOR	0Ω 1/10W J	1	
	R501	NRSA63J-114X	MG RESISTOR	110kΩ 1/16W J	1	
	R502	NRSA63J-0R0X	MG RESISTOR	0Ω 1/10W J	1	
	R503	NRSA63J-0R0X	MG RESISTOR	0Ω 1/10W J	1	
	R504	NRSA63J-274X	MG RESISTOR	270kΩ 1/16W J	1	
	R505	NRSA63J-104X	MG RESISTOR	100kΩ 1/16W J	1	
	R506	NRSA63J-303X	MG RESISTOR	30kΩ 1/16W J	1	
	R507	NRSA63J-563X	MG RESISTOR	56kΩ 1/16W J	1	

MODEL	MARK	MODEL	MARK	MODEL	MARK
KDC-BT310U	K3	KDC-BT33U	E2	KDC-BT355U	K2

Safe	Symbol No.	Parts No.	Parts Name	Description	QTY	Local
	R508	NRSA63J-0R0X	MG RESISTOR	0Ω 1/10W J	1	
	R509	NRSA63J-0R0X	MG RESISTOR	0Ω 1/10W J	1	
	R510	NRSA63J-473X	MG RESISTOR	47kΩ 1/16W J	1	
	R511	NRSA63J-133X	MG RESISTOR	13kΩ 1/16W J	1	
	R512	NRSA63J-0R0X	MG RESISTOR	0Ω 1/10W J	1	
	R513	NRSA63J-0R0X	MG RESISTOR	0Ω 1/10W J	1	
	R516	NRSA63J-333X	MG RESISTOR	33kΩ 1/16W J	1	
	R518	NRSA63J-0R0X	MG RESISTOR	0Ω 1/10W J	1	
	R519	NRSA63J-333X	MG RESISTOR	33kΩ 1/16W J	1	
	R530	NRS181J-0R0X	MG RESISTOR	0Ω 1/8W J	1	
	R534	NRSA63J-473X	MG RESISTOR	47kΩ 1/16W J	1	
	R539	NRSA63J-0R0X	MG RESISTOR	0Ω 1/10W J	1	
	R540	NRSA63J-221X	MG RESISTOR	220Ω 1/16W J	1	
	R545	NRSA63J-225X	MG RESISTOR	2.2MΩ 1/16W J	1	
	R547	NRSA63J-4R7X	MG RESISTOR	4.7Ω 1/16W J	1	
	R548	NRSA63J-104X	MG RESISTOR	100kΩ 1/16W J	1	
	R549	NRSA63J-102X	MG RESISTOR	1kΩ 1/16W J	1	
	R550	NRSA63J-472X	MG RESISTOR	4.7kΩ 1/16W J	1	
	R553	NRSA63J-473X	MG RESISTOR	47kΩ 1/16W J	1	
	R554	NRSA02J-4R7X	MG RESISTOR	4.7Ω 1/10W J	1	
	R555	NRSA02J-4R7X	MG RESISTOR	4.7Ω 1/10W J	1	
	R556	NRSA63J-0R0X	MG RESISTOR	0Ω 1/10W J	1	
	R557	NRSA63J-471X	MG RESISTOR	470Ω 1/16W J	1	
	R558	NRSA63J-105X	MG RESISTOR	1MΩ 1/16W J	1	
	R559	NRSA63J-101X	MG RESISTOR	100Ω 1/16W J	1	
	R560	NRSA63J-101X	MG RESISTOR	100Ω 1/16W J	1	
	R561	NRSA63J-101X	MG RESISTOR	100Ω 1/16W J	1	
	R562	NRSA63J-332X	MG RESISTOR	3.3kΩ 1/16W J	1	
	R563	NRSA63J-391X	MG RESISTOR	390Ω 1/16W J	1	
	R564	NRSA63J-391X	MG RESISTOR	390Ω 1/16W J	1	
	R565	NRSA63J-103X	MG RESISTOR	10kΩ 1/16W J	1	
	R566	NRSA63J-103X	MG RESISTOR	10kΩ 1/16W J	1	
	R567	NRSA63J-101X	MG RESISTOR	100Ω 1/16W J	1	
	R568	NRSA63J-101X	MG RESISTOR	100Ω 1/16W J	1	
	R569	NRSA63J-101X	MG RESISTOR	100Ω 1/16W J	1	
	R570	NRSA63J-101X	MG RESISTOR	100Ω 1/16W J	1	
	R571	NRSA63J-103X	MG RESISTOR	10kΩ 1/16W J	1	
	R572	NRSA63J-104X	MG RESISTOR	100kΩ 1/16W J	1	
	R573	NRSA63J-334X	MG RESISTOR	330kΩ 1/16W J	1	
	R574	NRSA63J-153X	MG RESISTOR	15kΩ 1/16W J	1	
	R575	NRSA63J-332X	MG RESISTOR	3.3kΩ 1/16W J	1	
	R576	NRSA63J-103X	MG RESISTOR	10kΩ 1/16W J	1	
	R577	NRSA63J-103X	MG RESISTOR	10kΩ 1/16W J	1	
	R595	NRSA63J-202X	MG RESISTOR	2kΩ 1/16W J	1	
	R596	NRSA63J-202X	MG RESISTOR	2kΩ 1/16W J	1	
	R701	NRSA63J-0R0X	MG RESISTOR	0Ω 1/10W J	1	
	R702	NRSA63J-222X	MG RESISTOR	2.2kΩ 1/16W J	1	
	R703	NRSA63J-911X	MG RESISTOR	910Ω 1/16W J	1	
	R704	NRSA63J-911X	MG RESISTOR	910Ω 1/16W J	1	
	R705	NRSA63J-222X	MG RESISTOR	2.2kΩ 1/16W J	1	
	R706	NRSA63J-911X	MG RESISTOR	910Ω 1/16W J	1	
	R707	NRSA63J-104X	MG RESISTOR	100kΩ 1/16W J	1	
	R709	NRSA63J-911X	MG RESISTOR	910Ω 1/16W J	1	
	R712	NRSA63J-911X	MG RESISTOR	910Ω 1/16W J	1	
	R718	NRSA63J-473X	MG RESISTOR	47kΩ 1/16W J	1	
	R720	NRSA63J-473X	MG RESISTOR	47kΩ 1/16W J	1	
	R721	NRSA63J-105X	MG RESISTOR	1MΩ 1/16W J	1	
	R722	NRSA63J-473X	MG RESISTOR	47kΩ 1/16W J	1	
	R723	NRSA63J-473X	MG RESISTOR	47kΩ 1/16W J	1	
	R725	NRSA63J-473X	MG RESISTOR	47kΩ 1/16W J	1	
	R726	NRSA63J-473X	MG RESISTOR	47kΩ 1/16W J	1	
	R727	NRSA63J-473X	MG RESISTOR	47kΩ 1/16W J	1	
	R728	NRSA63J-473X	MG RESISTOR	47kΩ 1/16W J	1	
	R730	NRS181J-473X	MG RESISTOR	47kΩ 1/8W J	1	
	R731	NRSA63J-473X	MG RESISTOR	47kΩ 1/16W J	1	
	R732	NRSA63J-101X	MG RESISTOR	100Ω 1/16W J	1	
	R735	NRSA63J-473X	MG RESISTOR	47kΩ 1/16W J	1	
	R736	NRSA63J-473X	MG RESISTOR	47kΩ 1/16W J	1	
	R737	NRSA63J-911X	MG RESISTOR	910Ω 1/16W J	1	
	R738	NRSA63J-222X	MG RESISTOR	2.2kΩ 1/16W J	1	
	R739	NRSA63J-103X	MG RESISTOR	10kΩ 1/16W J	1	
	R740	NRS181J-103X	MG RESISTOR	10kΩ 1/8W J	1	
	R741	NRSA63J-103X	MG RESISTOR	10kΩ 1/16W J	1	
	R742	NRSA63J-473X	MG RESISTOR	47kΩ 1/16W J	1	
	R743	NRSA63J-473X	MG RESISTOR	47kΩ 1/16W J	1	
	R745	NRSA63J-101X	MG RESISTOR	100Ω 1/16W J	1	
	R746	NRSA63J-473X	MG RESISTOR	47kΩ 1/16W J	1	
	R747	NRSA63J-243X	MG RESISTOR	24kΩ 1/16W J	1	
	R749	NRSA63J-332X	MG RESISTOR	3.3kΩ 1/16W J	1	
	R750	NRSA63J-332X	MG RESISTOR	3.3kΩ 1/16W J	1	
	R751	NRSA63J-223X	MG RESISTOR	22kΩ 1/16W J	1	
	R752	NRSA63J-473X	MG RESISTOR	47kΩ 1/16W J	1	
	R753	NRSA63J-332X	MG RESISTOR	3.3kΩ 1/16W J	1	
	R754	NRSA63J-332X	MG RESISTOR	3.3kΩ 1/16W J	1	
	R755	NRSA63J-103X	MG RESISTOR	10kΩ 1/16W J	1	
	R756	NRSA63J-223X	MG RESISTOR	22kΩ 1/16W J	1	
	R757	NRSA63J-104X	MG RESISTOR	100kΩ 1/16W J	1	
	R758	NRSA63J-104X	MG RESISTOR	100kΩ 1/16W J	1	
	R759	NRSA63J-473X	MG RESISTOR	47kΩ 1/16W J	1	
	R760	NRSA63J-103X	MG RESISTOR	10kΩ 1/16W J	1	
	R761	NRSA63J-103X	MG RESISTOR	10kΩ 1/16W J	1	
	R763	NRSA63J-473X	MG RESISTOR	47kΩ 1/16W J	1	

MODEL	MARK	MODEL	MARK	MODEL	MARK
KDC-BT310U	K3	KDC-BT33U	E2	KDC-BT355U	K2

Safe	Symbol No.	Parts No.	Parts Name	Description	QTY	Local
	R764	NRSA63J-393X	MG RESISTOR	39kΩ 1/16W J	1	E2
	R765	NRSA63J-822X	MG RESISTOR	8.2kΩ 1/16W J	1	K3
	R765	NRSA63J-333X	MG RESISTOR	33kΩ 1/16W J	1	E2
	R765	NRSA63J-153X	MG RESISTOR	15kΩ 1/16W J	1	K2
	R766	NRSA63J-473X	MG RESISTOR	47kΩ 1/16W J	1	K3,K2
	R766	NRSA63J-822X	MG RESISTOR	8.2kΩ 1/16W J	1	E2
	R767	NRSA63J-393X	MG RESISTOR	39kΩ 1/16W J	1	K3
	R767	NRSA63J-153X	MG RESISTOR	15kΩ 1/16W J	1	E2
	R767	NRSA63J-333X	MG RESISTOR	33kΩ 1/16W J	1	K2
	R769	NRSA63J-0R0X	MG RESISTOR	0Ω 1/10W J	1	
	R770	NRSA63J-472X	MG RESISTOR	4.7kΩ 1/16W J	1	
	R771	NRSA63J-472X	MG RESISTOR	4.7kΩ 1/16W J	1	
	R772	NRSA63J-472X	MG RESISTOR	4.7kΩ 1/16W J	1	
	R773	NRSA63J-472X	MG RESISTOR	4.7kΩ 1/16W J	1	
	R774	NRSA63J-472X	MG RESISTOR	4.7kΩ 1/16W J	1	
	R775	NRSA63J-153X	MG RESISTOR	15kΩ 1/16W J	1	
	R776	NRSA63J-153X	MG RESISTOR	15kΩ 1/16W J	1	
	R777	NRSA63J-102X	MG RESISTOR	1kΩ 1/16W J	1	
	R778	NRSA63J-271X	MG RESISTOR	270Ω 1/16W J	1	
	R779	NRSA63J-271X	MG RESISTOR	270Ω 1/16W J	1	
	R780	NRSA63J-473X	MG RESISTOR	47kΩ 1/16W J	1	
	R781	NRSA63J-331X	MG RESISTOR	330Ω 1/16W J	1	
	R782	NRSA63J-821X	MG RESISTOR	820Ω 1/16W J	1	
	R783	NRSA63J-104X	MG RESISTOR	100kΩ 1/16W J	1	
	R784	NRSA63J-103X	MG RESISTOR	10kΩ 1/16W J	1	
	R786	NRSA63J-103X	MG RESISTOR	10kΩ 1/16W J	1	
	R787	NRSA63J-563X	MG RESISTOR	56kΩ 1/16W J	1	K3,K2
	R787	NRSA63J-333X	MG RESISTOR	33kΩ 1/16W J	1	E2
	R789	NRSA63J-270X	MG RESISTOR	27Ω 1/16W J	1	
	R790	NRSA63J-270X	MG RESISTOR	27Ω 1/16W J	1	
	R791	NRSA63J-0R0X	MG RESISTOR	0Ω 1/10W J	1	
	R794	NRSA63J-0R0X	MG RESISTOR	0Ω 1/10W J	1	
	R796	NRSA63J-100X	MG RESISTOR	10Ω 1/16W J	1	
	R851	NRSA63J-472X	MG RESISTOR	4.7kΩ 1/16W J	1	E2
	R891	NRSA63J-103X	MG RESISTOR	10kΩ 1/16W J	1	
	R892	NRSA63J-683X	MG RESISTOR	68kΩ 1/16W J	1	
	R893	NRS181J-123X	MG RESISTOR	12kΩ 1/8W J	1	
	R894	NRSA63J-0R0X	MG RESISTOR	0Ω 1/10W J	1	
	R901	NRS181J-682X	MG RESISTOR	6.8kΩ 1/8W J	1	
	R902	NRS181J-682X	MG RESISTOR	6.8kΩ 1/8W J	1	
	R905	NRS181J-103X	MG RESISTOR	10kΩ 1/8W J	1	
	R906	NRSA63J-562X	MG RESISTOR	5.6kΩ 1/16W J	1	
	R907	NRSA63J-155X	MG RESISTOR	1.5MΩ 1/16W J	1	
	R908	NRSA63J-472X	MG RESISTOR	4.7kΩ 1/16W J	1	
	R909	NRSA63J-273X	MG RESISTOR	27kΩ 1/16W J	1	
	R910	NRS181J-0R0X	MG RESISTOR	0Ω 1/8W J	1	
	R941	NRS181J-472X	MG RESISTOR	4.7kΩ 1/8W J	1	
	R951	NRSA63J-102X	MG RESISTOR	1kΩ 1/16W J	1	
	R952	NRSA63J-331X	MG RESISTOR	330Ω 1/16W J	1	
	R970	NRSA63J-473X	MG RESISTOR	47kΩ 1/16W J	1	
	R971	NRSA63J-103X	MG RESISTOR	10kΩ 1/16W J	1	
	R972	NRSA63J-103X	MG RESISTOR	10kΩ 1/16W J	1	
	R973	NRSA63J-203X	MG RESISTOR	20kΩ 1/16W J	1	
	R974	NRSA63J-473X	MG RESISTOR	47kΩ 1/16W J	1	
	R975	NRSA02J-473X	MG RESISTOR	47kΩ 1/10W J	1	
	R976	NRSA02J-683X	MG RESISTOR	68kΩ 1/10W J	1	
	R981	NRSA63D-913X	MG RESISTOR	91kΩ 1/16W D	1	
	R982	NRSA63D-273X	MG RESISTOR	27kΩ 1/16W D	1	
	R983	NRSA63J-472X	MG RESISTOR	4.7kΩ 1/16W J	1	
	R984	NRS181J-220X	MG RESISTOR	22Ω 1/8W J	1	
	R986	NRSA63D-114X	MG RESISTOR	110kΩ 1/16W D	1	
	R987	NRSA63J-103X	MG RESISTOR	10kΩ 1/16W J	1	
	R989	NRSA63J-0R0X	MG RESISTOR	0Ω 1/10W J	1	
	L1	NQL093K-R47X	PEAKING COIL	0.47uH K	1	
	L2	NQL093K-1R8X	PEAKING COIL	1.8uH K	1	
	L3	NQL093K-R27X	PEAKING COIL	0.27uH K	1	
	L4	QQR1872-001	RF COIL		1	
	L5	NQL114K-561X	PEAKING COIL	560uH K	1	
	L6	NQL114K-561X	PEAKING COIL	560uH K	1	
	L7	NQL79GM-4R7X	INDUCTOR	4.7uH M	1	
	L8	NQL093K-4R7X	PEAKING COIL	4.7uH K	1	
	L9	NQL093K-R47X	PEAKING COIL	0.47uH K	1	
	L10	NQL103J-10NX	INDUCTOR	10nH J	1	K3,K2
	L11	NQR0251-002X	FERRITE BEADS		1	
	L12	NQR0251-002X	FERRITE BEADS		1	
	L186	NQR0154-006X	FERRITE BEADS		1	
	L187	NQR0154-006X	FERRITE BEADS		1	
	L531	NQR0154-006X	FERRITE BEADS		1	
	L561	NQR0154-006X	FERRITE BEADS		1	
	L562	NQR0154-006X	FERRITE BEADS		1	
	L701	NQL79GM-4R7X	INDUCTOR	4.7uH M	1	
	L763	NQR0154-006X	FERRITE BEADS		1	
	L764	NQR0154-006X	FERRITE BEADS		1	
	L765	NQR0154-006X	FERRITE BEADS		1	
	L901	QQR1882-001	CHOKER COIL		1	
	L981	QQL92AK-220Z	INDUCTOR	22uH K	1	
	L982	NQLH25M-4R7X	INDUCTOR	4.7uH M	1	
	CN180	QGB0519L3-24X	CONNECTOR	B-B (1-24)	1	
	CN181	QGA2001F1-02	CONNECTOR	W-B (1-2)	1	K2
	CN502	QGF1040F1-26	FFC/FPC CONNECTOR	FFC/FPC (1-26)	1	
	CN701	QGZ1102J1-24	CONNECTOR	(1-24)	1	
	CN901	QNZ0607-001	CAR CONNECTOR		1	
	J1	QNB0358-001	ANT TERMINAL		1	

MODEL	MARK	MODEL	MARK	MODEL	MARK
KDC-BT310U	K3	KDC-BT33U	E2	KDC-BT355U	K2

Safe	Symbol No.	Parts No.	Parts Name	Description	QTY	Local
	J321	QNN0874-001	PIN JACK		1	K3,E2
	J321	QNN0868-001	PIN JACK		1	K2
	S701	QSW0648-001Z	TACT SWITCH		1	
	X1	QAX0952-001Z	CRYSTAL		1	
	X540	QAX0929-001Z	C RESONATOR		1	
	X701	NAX1121-001X	CRYSTAL		1	
	X702	QAX0401-001	CRYSTAL	32.768KHz	1	
SWITCH UNIT (X16-742x-xx) <X16>						
	IC602	KSM-2003TN5B	IR SENSOR		1	K3,K2
	IC603	TPS2065CDBV-X	IC(MOS-IC)		1	
	Q601	LTA014EUB-X	DIGI TRANSISTOR		1	
	Q602	LTA014EUB-X	DIGI TRANSISTOR		1	
	Q603	LTA014EUB-X	DIGI TRANSISTOR		1	
	Q604	LTA014EUB-X	DIGI TRANSISTOR		1	K3,K2
	Q605	LTC014EUB-X	DIGI TRANSISTOR		1	K3,K2
	Q606	2SC6046-X	TRANSISTOR		1	
	Q607	2SC6046-X	TRANSISTOR		1	K2
	D601	DZ2J051/M/-X	ZENER DIODE		1	K3
	D601	RKZ5.1B2KG-X	ZENER DIODE		1	K2
	D602	DZ2J051/M/-X	ZENER DIODE		1	K3
	D602	RKZ5.1B2KG-X	ZENER DIODE		1	E2,K2
	D603	DZ2J051/M/-X	ZENER DIODE		1	K3
	D603	RKZ5.1B2KG-X	ZENER DIODE		1	E2,K2
	D604	DZ2J051/M/-X	ZENER DIODE		1	K3
	D604	RKZ5.1B2KG-X	ZENER DIODE		1	E2,K2
	D605	DZ2J051/M/-X	ZENER DIODE		1	K3
	D605	RKZ5.1B2KG-X	ZENER DIODE		1	E2,K2
	D606	DZ2J051/M/-X	ZENER DIODE		1	K3
	D606	RKZ5.1B2KG-X	ZENER DIODE		1	E2,K2
	D607	DZ2J051/M/-X	ZENER DIODE		1	K3
	D607	RKZ5.1B2KG-X	ZENER DIODE		1	E2,K2
	D608	DZ2J051/M/-X	ZENER DIODE		1	K3
	D608	RKZ5.1B2KG-X	ZENER DIODE		1	E2,K2
	D609	DZ2J051/M/-X	ZENER DIODE		1	K3
	D609	RKZ5.1B2KG-X	ZENER DIODE		1	E2,K2
	D610	DZ2J051/M/-X	ZENER DIODE		1	K3
	D610	RKZ5.1B2KG-X	ZENER DIODE		1	E2,K2
	D611	DZ2J051/M/-X	ZENER DIODE		1	K3
	D611	RKZ5.1B2KG-X	ZENER DIODE		1	E2
	D612	DZ2J051/M/-X	ZENER DIODE		1	K3
	D612	RKZ5.1B2KG-X	ZENER DIODE		1	E2
	D623	MBRX130-TP-X	SB DIODE		1	
	D650	SML-310VT-X	LED		1	
	D651	SML-D12D8W-X	LED		1	K3
	D651	SML-D12V8W-X	LED		1	E2,K2
	D654	SML-D12D8W-X	LED		1	K3
	D654	SML-D12V8W-X	LED		1	E2,K2
	D657	SML-D12D8W-X	LED		1	K3
	D657	SML-D12V8W-X	LED		1	E2,K2
	D658	SML-D12D8W-X	LED		1	K3
	D658	SML-D12V8W-X	LED		1	E2,K2
	D659	SML-D12D8W-X	LED		1	K3
	D659	SML-D12V8W-X	LED		1	E2,K2
	D661	SML-D12D8W-X	LED		1	K3
	D661	SML-D12V8W-X	LED		1	E2,K2
	D662	SML-D12D8W-X	LED		1	K3
	D662	SML-D12V8W-X	LED		1	E2,K2
	D663	SML-D12D8W-X	LED		1	K3
	D663	SML-D12V8W-X	LED		1	E2,K2
	D664	SML-D12D8W-X	LED		1	K3
	D664	SML-D12V8W-X	LED		1	E2,K2
	D665	SML-D12D8W-X	LED		1	K3
	D665	SML-D12V8W-X	LED		1	E2,K2
	D666	SML-D12D8W-X	LED		1	K3
	D666	SML-D12V8W-X	LED		1	E2,K2
	D667	SML-D12D8W-X	LED		1	K3
	D667	SML-D12V8W-X	LED		1	E2,K2
	D669	SML-D12D8W-X	LED		1	K3
	D669	SML-D12V8W-X	LED		1	E2,K2
	D672	SML-D12D8W-X	LED		1	K3
	D672	SML-D12V8W-X	LED		1	E2,K2
	C601	NCB31HK-472X	C CAPACITOR	4700pF 50V K	1	
	C602	NCB31HK-472X	C CAPACITOR	4700pF 50V K	1	
	C603	NCJ11EK-106X-R	C CAPACITOR	10uF 25V	1	
	C604	NCJ11EK-106X-R	C CAPACITOR	10uF 25V	1	
	C611	NCB31HK-102X	C CAPACITOR	1000pF 50V K	1	
	C612	NCB31HK-471X	C CAPACITOR	470pF 50V K	1	
	C614	NCB31HK-471X	C CAPACITOR	470pF 50V K	1	
	C615	NCB31HK-102X	C CAPACITOR	1000pF 50V K	1	
	C616	NCB31HK-104X	C CAPACITOR	0.1uF 50V K	1	
	C617	NCB31HK-104X	C CAPACITOR	0.1uF 50V K	1	
	C631	NDC31HJ-270X	C CAPACITOR	27pF 50V J	1	
	C632	NDC31HJ-270X	C CAPACITOR	27pF 50V J	1	
	C633	NCJ11EK-106X-R	C CAPACITOR	10uF 25V	1	
	C636	NCB31HK-472X	C CAPACITOR	4700pF 50V K	1	
	C637	NDC31HJ-471X	C CAPACITOR	470pF 50V J	1	
	C641	NCB31HK-104X	C CAPACITOR	0.1uF 50V K	1	K3,K2
	R608	NRSA63J-0R0X	MG RESISTOR	0Ω 1/10W J	1	
	R611	NRSA63J-101X	MG RESISTOR	100Ω 1/16W J	1	
	R612	NRSA63J-101X	MG RESISTOR	100Ω 1/16W J	1	
	R614	NRSA63J-0R0X	MG RESISTOR	0Ω 1/10W J	1	
	R615	NRSA63J-101X	MG RESISTOR	100Ω 1/16W J	1	

MODEL	MARK	MODEL	MARK	MODEL	MARK
KDC-BT310U	K3	KDC-BT33U	E2	KDC-BT355U	K2

Safe	Symbol No.	Parts No.	Parts Name	Description	QTY	Local
R616		NRSA63J-101X	MG RESISTOR	100Ω 1/16W J	1	
R617		NRSA63J-473X	MG RESISTOR	47kΩ 1/16W J	1	
R618		NRSA63J-101X	MG RESISTOR	100Ω 1/16W J	1	
R619		NRSA63J-101X	MG RESISTOR	100Ω 1/16W J	1	
R620		NRSA63J-101X	MG RESISTOR	100Ω 1/16W J	1	
R621		NRS181J-0R0X	MG RESISTOR	0Ω 1/8W J	1	
R622		NRSA63J-101X	MG RESISTOR	100Ω 1/16W J	1	
R623		NRSA63J-101X	MG RESISTOR	100Ω 1/16W J	1	
R624		NRSA63J-104X	MG RESISTOR	100kΩ 1/16W J	1	
R625		NRSA63J-4R7X	MG RESISTOR	4.7Ω 1/16W J	1	
R626		NRSA63J-473X	MG RESISTOR	47kΩ 1/16W J	1	
R627		NRSA63J-473X	MG RESISTOR	47kΩ 1/16W J	1	
R628		NRSA63J-473X	MG RESISTOR	47kΩ 1/16W J	1	
R629		NRSA63J-103X	MG RESISTOR	10kΩ 1/16W J	1	
R630		NRSA02J-2R4X	MG RESISTOR	2.4Ω 1/10W J	1	
R631		NRSA02J-2R4X	MG RESISTOR	2.4Ω 1/10W J	1	
R632		NRSA02J-2R4X	MG RESISTOR	2.4Ω 1/10W J	1	
R633		NRSA02J-2R4X	MG RESISTOR	2.4Ω 1/10W J	1	
R634		NRSA02J-2R4X	MG RESISTOR	2.4Ω 1/10W J	1	
R635		NRSA02J-2R4X	MG RESISTOR	2.4Ω 1/10W J	1	
R636		NRSA02J-3R0X	MG RESISTOR	3Ω 1/10W J	1	
R637		NRSA63J-0R0X	MG RESISTOR	0Ω 1/10W J	1	K3,K2
R638		NRS181J-103X	MG RESISTOR	10kΩ 1/8W J	1	
R641		NRS181J-0R0X	MG RESISTOR	0Ω 1/8W J	1	
R651		NRS181J-102X	MG RESISTOR	1kΩ 1/8W J	1	
R652		NRSA02J-222X	MG RESISTOR	2.2kΩ 1/10W J	1	K2
R653		NRS181J-0R0X	MG RESISTOR	0Ω 1/8W J	1	K3,E2
R656		NRS181J-751X	MG RESISTOR	750Ω 1/8W J	1	
R658		NRS181J-751X	MG RESISTOR	750Ω 1/8W J	1	
R663		NRSA02J-102X	MG RESISTOR	1kΩ 1/10W J	1	
R664		NRS181J-272X	MG RESISTOR	2.7kΩ 1/8W J	1	
R666		NRS181J-751X	MG RESISTOR	750Ω 1/8W J	1	
R668		NRS181J-751X	MG RESISTOR	750Ω 1/8W J	1	
R670		NRS181J-122X	MG RESISTOR	1.2kΩ 1/8W J	1	
R671		NRS181J-751X	MG RESISTOR	750Ω 1/8W J	1	
R672		NRS181J-911X	MG RESISTOR	910Ω 1/8W J	1	
R674		NRS181J-751X	MG RESISTOR	750Ω 1/8W J	1	
R676		NRS181J-821X	MG RESISTOR	820Ω 1/8W J	1	
R677		NRSA02J-222X	MG RESISTOR	2.2kΩ 1/10W J	1	
R682		NRSA63J-272X	MG RESISTOR	2.7kΩ 1/16W J	1	
R689		NRSA63J-122X	MG RESISTOR	1.2kΩ 1/16W J	1	
R690		NRSA63J-101X	MG RESISTOR	100Ω 1/16W J	1	
R691		NRSA63J-101X	MG RESISTOR	100Ω 1/16W J	1	
R698		NRSA63J-0R0X	MG RESISTOR	0Ω 1/10W J	1	
L601		NQR0007-002X	FERRITE BEADS		1	
L602		NQR0007-002X	FERRITE BEADS		1	
L603		NQR0007-002X	FERRITE BEADS		1	
CN601		QGZ1102K3-24X	CONNECTOR	(1-24)	1	
CN603		QNZ1076-001	USB CONNECTOR		1	
CN604		QGA1002F1-02X	CONNECTOR	W-B (1-2)	1	K3,E2
EN601		QSW1288-001	ROTARY ENCODER		1	
FL601		QLF0206-001	FL TUBE		1	
J602		QNS0320-001	DIA 3.5 TYPE JACK		1	
LF691		NQR0536-001X	CHOKE COIL		1	
S601		NSW0246-001X	TACT SWITCH		1	
S602		NSW0246-001X	TACT SWITCH		1	
S603		NSW0246-001X	TACT SWITCH		1	
S604		NSW0246-001X	TACT SWITCH		1	
S605		NSW0246-001X	TACT SWITCH		1	
S606		NSW0246-001X	TACT SWITCH		1	
S607		NSW0246-001X	TACT SWITCH		1	
S608		NSW0246-001X	TACT SWITCH		1	
S609		NSW0246-001X	TACT SWITCH		1	
S610		NSW0246-001X	TACT SWITCH		1	
S611		NSW0246-001X	TACT SWITCH		1	
S612		NSW0246-001X	TACT SWITCH		1	
S613		NSW0246-001X	TACT SWITCH		1	
S614		NSW0246-001X	TACT SWITCH		1	
BLUETOOTH UNIT (X17-2180-13) <X17>						
IC1		S-1132B18U5T1G	IC(ANALOGUE)		1	
IC2		BA4560RFV	IC(ANALOGUE)		1	
IC3		TCC860000XEAU	IC(MOS-IC)		1	
IC5		E29LV32BT71F5	ROM IC		1	
IC6		PCM1780-X	IC		1	
IC7		A3V28S40FTP-G6	IC(DRAM)		1	
D1		UDZW5.1(B)	ZENER DIODE		1	
C1		CK73HB1A104K	CHIP C	0.10UF 10V K	1	
C2		CK73HB1A104K	CHIP C	0.10UF 10V K	1	
C3		CK73HB1H122K	CHIP C	1200PF 50V K	1	
C4		CC73HCH1H180J	CHIP C	18pF 50V J	1	
C5		CC73HCH1H331J	CHIP C	330pF 50V J	1	
C6		CK73HB1A104K	CHIP C	0.10UF 10V K	1	
C7		CK73HB1A104K	CHIP C	0.10UF 10V K	1	
C8		CK73HB1A104K	CHIP C	0.10UF 10V K	1	
C9		CK73GB0J475K	CHIP C	4.7UF 6.3V K	1	
C10		CK73HB1E103K	CHIP C	0.010UF 25V K	1	
C11		CK73HB0J105K	CHIP C	1.0UF 6.3V K	1	
C12		CK73HB1A104K	CHIP C	0.10UF 10V K	1	
C13		CK73HB1A104K	CHIP C	0.10UF 10V K	1	
C14		CK73HB1C333K	CHIP C	0.033UF 16V K	1	
C15		CK73GB0J475K	CHIP C	4.7UF 6.3V K	1	
C16		CK73HB1C333K	CHIP C	0.033UF 16V K	1	

MODEL	MARK	MODEL	MARK	MODEL	MARK
KDC-BT310U	K3	KDC-BT33U	E2	KDC-BT355U	K2

Safe	Symbol No.	Parts No.	Parts Name	Description	QTY	Local
	C17	CC73HCH1H220J	CHIP C	22pF 50V J	1	
	C18	CK73GB1A105K	CHIP C	1.0UF 10V K	1	
	C19	CK73HB1H471K	CHIP C	470pF 50V K	1	
	C20	CK73HB1A104K	CHIP C	0.10UF 10V K	1	
	C21	CK73HB1H471K	CHIP C	470pF 50V K	1	
	C22	CC73HCH1H100D	CHIP C	10pF 50V D	1	
	C23	CK73HB0J105K	CHIP C	1.0UF 6.3V K	1	
	C24	CK73HB0J105K	CHIP C	1.0UF 6.3V K	1	
	C25	CC73HCH1H100D	CHIP C	10pF 50V D	1	
	C26	CK73HB1H102K	CHIP C	1000PF 50V K	1	
	C28	CK73HB1A104K	CHIP C	0.10UF 10V K	1	
	C29	CK73GB1A105K	CHIP C	1.0UF 10V K	1	
	C30	CK73HB1A104K	CHIP C	0.10UF 10V K	1	
	C31	CK73HB1A104K	CHIP C	0.10UF 10V K	1	
	C32	CK73HB1A104K	CHIP C	0.10UF 10V K	1	
	C33	CK73HB1A104K	CHIP C	0.10UF 10V K	1	
	C35	CK73HB1A104K	CHIP C	0.10UF 10V K	1	
	C36	CK73HB1A104K	CHIP C	0.10UF 10V K	1	
	C37	CK73HB1A104K	CHIP C	0.10UF 10V K	1	
	C38	CK73HB1A104K	CHIP C	0.10UF 10V K	1	
	C39	CK73FB0J106K	CHIP C	10UF 6.3V K	1	
	C40	CK73HB1A104K	CHIP C	0.10UF 10V K	1	
	C41	CK73HB1A104K	CHIP C	0.10UF 10V K	1	
	C42	CK73HB1E103K	CHIP C	0.010UF 25V K	1	
	C43	CK73FB0J106K	CHIP C	10UF 6.3V K	1	
	C44	CK73HB1A104K	CHIP C	0.10UF 10V K	1	
	C45	CK73HB1A104K	CHIP C	0.10UF 10V K	1	
	C46	CK73HB1A104K	CHIP C	0.10UF 10V K	1	
	C47	CK73HB1A104K	CHIP C	0.10UF 10V K	1	
	C48	CK73HB1A104K	CHIP C	0.10UF 10V K	1	
	C49	CK73FB0J106K	CHIP C	10UF 6.3V K	1	
	C50	CK73FB0J106K	CHIP C	10UF 6.3V K	1	
	C51	CK73HB1H222K	CHIP C	2200PF 50V K	1	
	C52	CK73HB1H222K	CHIP C	2200PF 50V K	1	
	C53	CK73HB1A104K	CHIP C	0.10UF 10V K	1	
	C54	CK73HB1A104K	CHIP C	0.10UF 10V K	1	
	C55	CC73HCH1H331J	CHIP C	330pF 50V J	1	
	C300	CK73HB1A104K	CHIP C	0.10UF 10V K	1	
	C301	CK73HB1A104K	CHIP C	0.10UF 10V K	1	
	R1	RK73HB1J472J	CHIP R	4.7K J 1/16W	1	
	R3	RK73HB1J153J	CHIP R	15K J 1/16W	1	
	R4	RK73HB1J153J	CHIP R	15K J 1/16W	1	
	R6	RK73HB1J472J	CHIP R	4.7K J 1/16W	1	
	R7	RK73HB1J472J	CHIP R	4.7K J 1/16W	1	
	R8	RK73HB1J472J	CHIP R	4.7K J 1/16W	1	
	R11	RK73GB2A4R7J	CHIP R	4.7 J 1/10W	1	
	R13	RK73HB1J153J	CHIP R	15K J 1/16W	1	
	R14	RK73HB1J153J	CHIP R	15K J 1/16W	1	
	R15	RK73HB1J103J	CHIP R	10K J 1/16W	1	
	R16	RK73HB1J223J	CHIP R	22K J 1/16W	1	
	R17	RK73HB1J223J	CHIP R	22K J 1/16W	1	
	R18	RK73HB1J220J	CHIP R	22 J 1/16W	1	
	R19	RK73HB1J220J	CHIP R	22 J 1/16W	1	
	R20	RK73HB1J220J	CHIP R	22 J 1/16W	1	
	R21	RK73HB1J220J	CHIP R	22 J 1/16W	1	
	R22	RK73HB1J470J	CHIP R	47 J 1/16W	1	
	R23	RK73HB1J103J	CHIP R	10K J 1/16W	1	
	R25	RK73HB1J822J	CHIP R	8.2K J 1/16W	1	
	R26	RK73HB1J330J	CHIP R	33 J 1/16W	1	
	R27	RK73HB1J330J	CHIP R	33 J 1/16W	1	
	R28	RK73HB1J333J	CHIP R	33K J 1/16W	1	
	R29	RK73HB1J470J	CHIP R	47 J 1/16W	1	
	R34	RK73HB1J470J	CHIP R	47 J 1/16W	1	
	R35	RK73HB1J472J	CHIP R	4.7K J 1/16W	1	
	R38	RK73HB1J472J	CHIP R	4.7K J 1/16W	1	
	R39	RK73HB1J472J	CHIP R	4.7K J 1/16W	1	
	R40	RK73HB1J472J	CHIP R	4.7K J 1/16W	1	
	R41	RK73HB1J472J	CHIP R	4.7K J 1/16W	1	
	R42	RK73HB1J470J	CHIP R	47 J 1/16W	1	
	R43	RK73HB1J470J	CHIP R	47 J 1/16W	1	
	R44	RK73HB1J470J	CHIP R	47 J 1/16W	1	
	R45	RK73HB1J124J	CHIP R	120K J 1/16W	1	
	R46	RK73HB1J124J	CHIP R	120K J 1/16W	1	
	R47	RK73HB1J102J	CHIP R	1.0K J 1/16W	1	
	R48	RK73HB1J122J	CHIP R	1.2K J 1/16W	1	
	R49	RK73HB1J122J	CHIP R	1.2K J 1/16W	1	
	R50	RK73HB1J102J	CHIP R	1.0K J 1/16W	1	
	R51	RK73HB1J105J	CHIP R	1.0M J 1/16W	1	
	R52	RK73HB1J332J	CHIP R	3.3K J 1/16W	1	
	R54	RK73HB1J103J	CHIP R	10K J 1/16W	1	
	R55	RK73HB1J103J	CHIP R	10K J 1/16W	1	
	R56	RK73HB1J000J	CHIP R	0.0 J 1/16W	1	
	R57	RK73HB1J470J	CHIP R	47 J 1/16W	1	
	R59	RK73HB1J470J	CHIP R	47 J 1/16W	1	
	R61	RK73HB1J472J	CHIP R	4.7K J 1/16W	1	
	R62	RK73HB1J470J	CHIP R	47 J 1/16W	1	
	R66	RK73HB1J472J	CHIP R	4.7K J 1/16W	1	
	R67	RK73HB1J470J	CHIP R	47 J 1/16W	1	
	R68	RK73HB1J470J	CHIP R	47 J 1/16W	1	
	R69	RK73HB1J470J	CHIP R	47 J 1/16W	1	
	R70	RK73HB1J473J	CHIP R	47K J 1/16W	1	
	R71	RK73HB1J472J	CHIP R	4.7K J 1/16W	1	
	R72	RK73HB1J471J	CHIP R	470 J 1/16W	1	

MODEL	MARK	MODEL	MARK	MODEL	MARK
KDC-BT310U	K3	KDC-BT33U	E2	KDC-BT355U	K2

Safe	Symbol No.	Parts No.	Parts Name	Description	QTY	Local
R73		RK73HB1J471J	CHIP R	470 J 1/16W	1	
R74		RK73FB2B181J	CHIP R	180 J 1/8W	1	
R75		RK73FB2B181J	CHIP R	180 J 1/8W	1	
R80		RK73HB1J000J	CHIP R	0.0 J 1/16W	1	
R81		RK73HB1J000J	CHIP R	0.0 J 1/16W	1	
R82		RK73HB1J000J	CHIP R	0.0 J 1/16W	1	
R83		RK73HB1J000J	CHIP R	0.0 J 1/16W	1	
R88		RK73HB1J000J	CHIP R	0.0 J 1/16W	1	
R89		RK73HB1J000J	CHIP R	0.0 J 1/16W	1	
R91		RK73HB1J223J	CHIP R	22K J 1/16W	1	
R93		RK73HB1J472J	CHIP R	4.7K J 1/16W	1	
R94		RK73FB2B181J	CHIP R	180 J 1/8W	1	
R300		RK73GB2A000J	CHIP R	0.0 J 1/10W	1	
R302		RK73HB1J470J	CHIP R	47 J 1/16W	1	
R303		RK73HB1J470J	CHIP R	47 J 1/16W	1	
R306		RK73HB1J104J	CHIP R	100K J 1/16W	1	
R307		RK73HB1J104J	CHIP R	100K J 1/16W	1	
R311		RK73HB1J102J	CHIP R	1.0K J 1/16W	1	
R323		RK73HB1J104J	CHIP R	100K J 1/16W	1	
A300		W02-5519-15	ELECTRIC CIRCUIT MODULE		1	
CN1	E41-3330-05		SOCKET FOR PIN ASSY		1	
X1	L77-3873-05		CRYSTAL RESONATOR(12.000MH Z)	12.000MHZ	1	
CD PLAYER UNIT (X32-6530-00) IN CD MECHA <X32>						
R1		NRSA63J-131X	MG RESISTOR	130Ω 1/16W J	1	
B1		NRS181J-0R0X	MG RESISTOR	0Ω 1/8W J	1	
CN101		QGF1044F2-26X	FFC/FPC CONNECTOR	FFC/FPC (1-26)	1	
CN102		QGF0522F3-15W	FFC/FPC CONNECTOR	FFC/FPC (1-15)	1	
SW1		S68-0931-05	PUSH SWITCH		1	
SW2		S68-0931-05	PUSH SWITCH		1	
SW3		S68-0931-05	PUSH SWITCH		1	
SW4		S68-0931-05	PUSH SWITCH		1	