

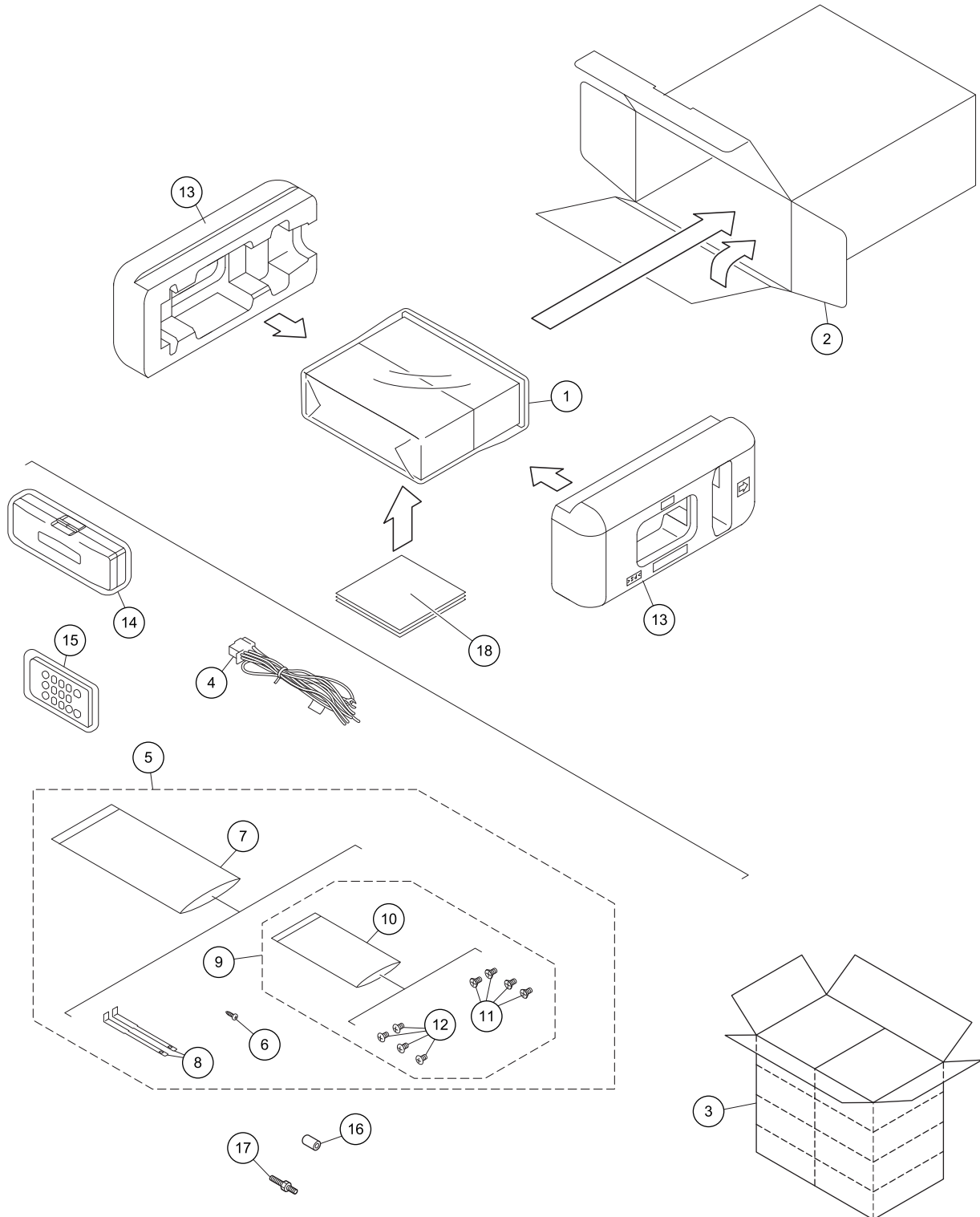


9. EXPLODED VIEWS AND PARTS LIST

- NOTES :
- Parts marked by " * " are generally unavailable because they are not in our Master Spare Parts List.
 - The  mark found on some component parts indicates the importance of the safety factor of the part. Therefore, when replacing, be sure to use parts of identical designation.
 - Screw adjacent to  mark on the product are used for disassembly.
 - For the applying amount of lubricants or glue, follow the instructions in this manual. (In the case of no amount instructions, apply as you think it appropriate.)

9.1 PACKING



PACKING SECTION PARTS LIST

Mark	No.	Description	DEH-3300UB/ XSUC	DEH-3390UB/ XNID	DEH-3350UB/ XNES	DEH-3350UB/ X1NEC	DEH-3350UB/ XSES	DEH-3350UB/ XNES1
	1	Polyethylene Bag	CEG1173	QEG3001	QEG3001	Not used	QEG3001	QEG3001
	2	Unit Box	CHG7454	CHG7458	CHG7455	Not used	CHG7456	CHG7457
	3	Contain Box	CHL7454	CHL7458	CHL7455	Not used	CHL7456	CHL7457
	4	Cord Assy	QDP3013	QDP3013	QDP3013	QDP3014	QDP3013	QDP3013
*	5	Accessory Assy	QEA3008	QEA3009	QEA3009	Not used	QEA3009	QEA3009
	6	Screw	BPZ20P060FTC	Not used	Not used	Not used	Not used	Not used
	7	Polyethylene Bag	CEG1160	CEG1160	CEG1160	Not used	CEG1160	CEG1160
	8	Handle	QNC3021	QNC3021	QNC3021	Not used	QNC3021	QNC3021
	9	Screw Assy	YEA5072	YEA5082	YEA5082	Not used	YEA5082	YEA5082
*	10	Polyethylene Bag	CEG-127	CEG-127	CEG-127	Not used	CEG-127	CEG-127
	11	Screw	CRZ50P090FTC	Not used	Not used	Not used	Not used	Not used
	12	Screw	TRZ50P080FTC	TRZ50P080FTC	TRZ50P080FTC	Not used	TRZ50P080FTC	TRZ50P080FTC
	13	Protector	QHP3016	QHP3016	QHP3016	Not used	QHP3016	QHP3016
	14	Case Assy	Not used	QXA3129	QXA3129	QXA3129	QXA3129	QXA3129
	15	Remote Control Unit	CXE3669	CXE3669	CXE3669	CXE3669	CXE3669	CXE3669
	16	Bush	Not used	Not used	Not used	CNV3930	Not used	Not used
	17	Screw	Not used	Not used	Not used	CBA1650	Not used	Not used
	18-1	Owner's Manual	CRD4525	CRB3473	CRD4527	Not used	CRD4527	CRD4527
*	18-2	Warranty Card	CRY1276	CRY1304	Not used	Not used	Not used	CRY1250
*	18-3	Service Network	Not used	CRY1305	Not used	Not used	Not used	CRY1251

Owner's Manual, Installation Manual

Part No.	Language
CRD4525	English, French, Spanish(Espanol)
CRB3473	English
CRD4527	English, Spanish(Espanol), Portuguese(B), Traditional Chinese, Arabic, Persian

9.2 EXTERIOR

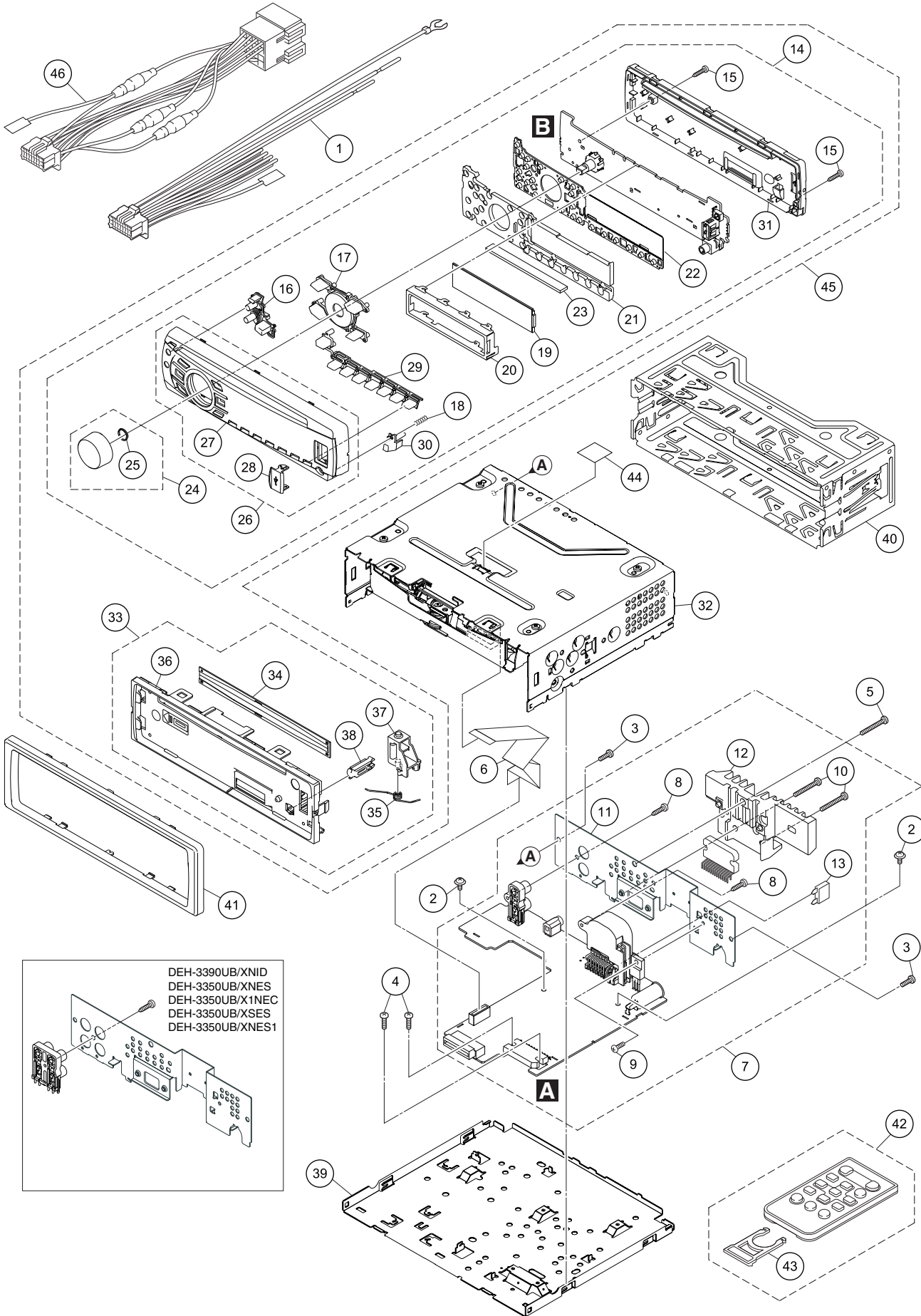
1

2

3

4

A



B

C

D

E

F

DEH-3300UB/XSUC

1

2

3

4

(1) EXTERIOR SECTION PARTS LIST

<u>Mark No.</u>	<u>Description</u>	<u>Part No.</u>	<u>Mark No.</u>	<u>Description</u>	<u>Part No.</u>
1	Cord Assy	See Contrast table (2)	25	Spring	YBL5010
2	Screw	ASZ26P050FTC	26	Grille Unit	See Contrast table (2)
3	Screw	BSZ26P060FTC	27	Grille Unit	See Contrast table (2)
4	Screw	BSZ26P080FTC	28	Door	CAT2921
5	Screw	BSZ26P120FTC	29	Button(RIGHT, -, 1-6)	QAC3052
6	Cable	CDE9337	30	Button(DETACH)	QAC3053
7	Tuner Amp Unit	See Contrast table (2)	31	Cover	QNS3125
8	Screw	BPZ26P080FTC	32	CD Mechanism Module(S11.1)	CXK5802
9	Screw	BSZ26P060FTC	33	Panel Unit	See Contrast table (2)
10	Screw	BSZ26P120FTC	34	Cover	See Contrast table (2)
11	Holder	See Contrast table (2)	35	Spring	QBH3001
12	Heat Sink	QNR3002	36	Panel	See Contrast table (2)
13	Fuse(10 A)	YEK5001	37	Arm	See Contrast table (2)
14	Detach Grille Assy	See Contrast table (2)	38	Button	See Contrast table (2)
15	Screw	BPZ20P100FTC	39	Case	QNB3001
16	Button(EJECT, SRC, BAND, LEFT)	CAI3203	40	Holder	QNC3020
17	Button(LIST, RPT, UP, DOWN)	CAI3204	41	Panel	QNS3127
18	Spring	CBH2210	42	Remote Control Unit	CXE3669
19	LCD(V1801)	CAW1998	43	Cover	CNS7068
20	Holder	See Contrast table (2)	44	Label	See Contrast table (2)
21	Lighting Conductor	QNV3022	45	Detach Grille Panel Assy	See Contrast table (2)
22	Rubber Contact	QNV3023	46	Cord Assy	See Contrast table (2)
23	Connector	YNV5192			
24	Knob Unit	CXE3692			

(2) CONTRAST TABLE

DEH-3300UB/XSUC, DEH-3390UB/XNID, DEH-3350UB/XNES, DEH-3350UB/X1NEC, DEH-3350UB/XSES and DEH-3350UB/XNES1 are constructed the same except for the following:

Mark	No.	Description	DEH-3300UB/ XSUC	DEH-3390UB/ XNID	DEH-3350UB/ XNES	DEH-3350UB/ X1NEC	DEH-3350UB/ XSES	DEH-3350UB/ XNES1
	1	Cord Assy	QDP3013	QDP3013	QDP3013	Not used	QDP3013	QDP3013
	7	Tuner Amp Unit	CWN5477	CWN5478	CWN5478	CWN5478	CWN5478	CWN5478
	11	Holder	CND5849	CND5848	CND5848	CND5848	CND5848	CND5848
	14	Detach Grille Assy	CXE3793	CXE3795	CXE3794	CXE4039 (Grille Assy)	CXE3794	CXE3794
	20	Holder	QNC3018	QNC3027	QNC3027	QNC3027	QNC3018	QNC3027
	26	Grille Unit	Not used	CXE3749	CXE3747	CXE3747	Not used	CXE3747
	27	Grille Unit	CXE3744	Not used	Not used	Not used	CXE3746	Not used
	33	Panel Unit	CXE3805	*QXA3261 (Panel Assy)	*QXA3261 (Panel Assy)	*QXA3261 (Panel Assy)	CXE3805	*QXA3261 (Panel Assy)
	34	Cover	CNN1665	QNM3029	QNM3029	QNM3029	CNN1665	QNM3029
	36	Panel	QNS3126	QNS3126	QNS3126	QNS3126	QNS3126	QNS3126
	37	Arm	QNV3025	QNV3025	QNV3025	QNV3025	QNV3025	QNV3025
	38	Button	QNV3026	QNV3026	QNV3026	QNV3026	QNV3026	QNV3026
	44	Label	Not used	CNN3533	Not used	Not used	Not used	Not used
	45	Detach Grille Panel Assy	Not used	Not used	Not used	CXE4037	Not used	Not used
	46	Cord Assy	Not used	Not used	Not used	QDP3014	Not used	Not used

9.3 CD MECHANISM MODULE

1

2

3

4

A

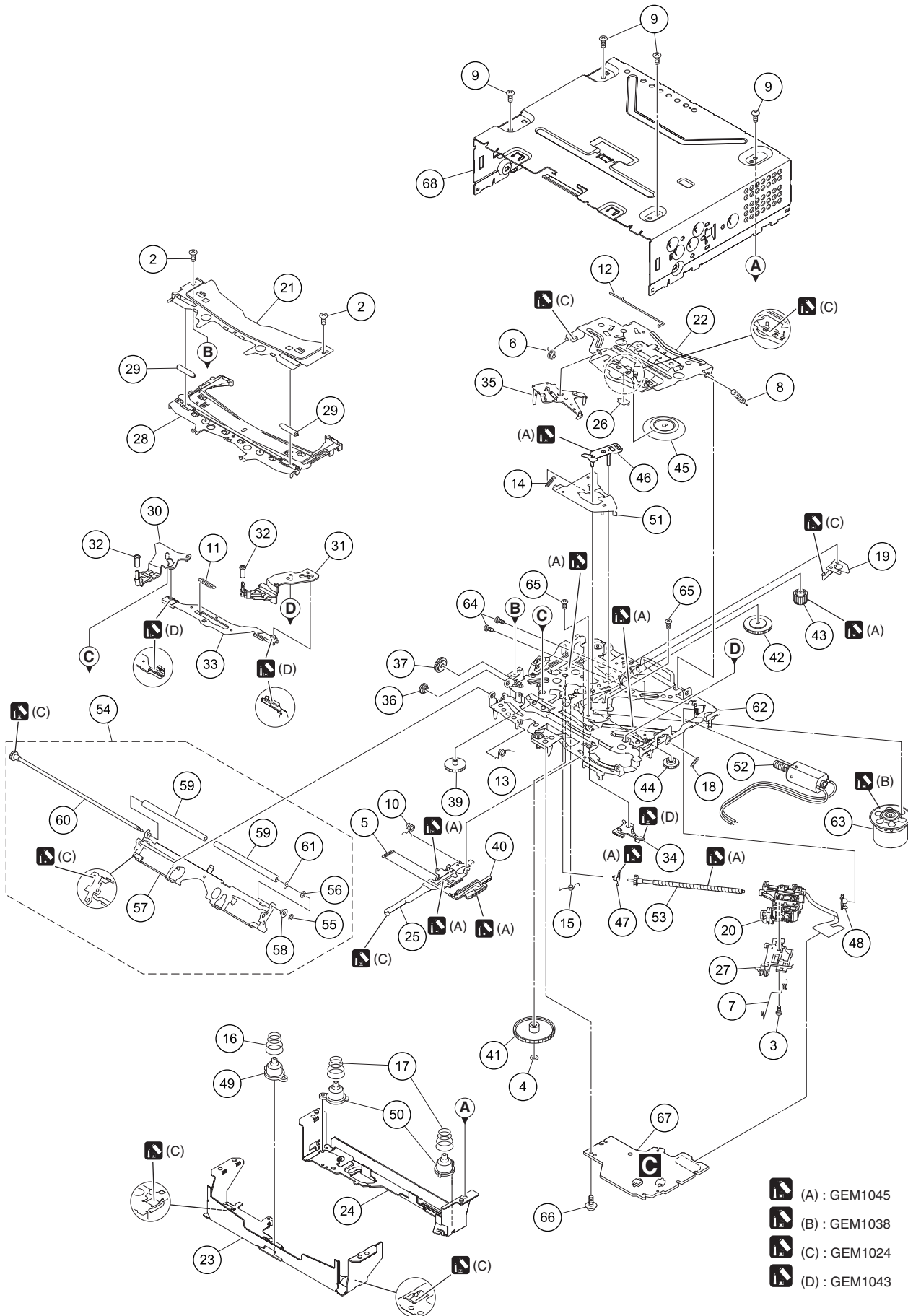
B

C

D

E

F



1

2

3

4

CD MECHANISM MODULE SECTION PARTS LIST

<u>Mark No.</u>	<u>Description</u>	<u>Part No.</u>	<u>Mark No.</u>	<u>Description</u>	<u>Part No.</u>
1		50	Damper	CNW1198
2	Screw	BSZ20P040FTC	51	Arm	CNW1726
3	Screw(M2 x 4)	CBA1835	52	Motor Unit	CXC4026
4	Washer	CBF1038	53	Screw Unit	CXC8894
5	Spring	CBH3010	54	Arm Assy	CXE3849
6	Spring	CBH2855	55	Washer	CBF1037
7	Spring	CBH2856	56	Washer	CBF1038
8	Spring	CBH2860	57	Arm	CND5886
9	Screw	BSZ26P060FTC	58	Collar	CNV6906
10	Spring	CBH3011	59	Roller	CNW1196
11	Spring	CBH3012	60	Gear Unit	CXC8893
12	Spring	CBH3014	61	Washer	YE15FTC
13	Spring	CBH3015	62	Chassis Unit	CXE3818
14	Spring	CBH3016	63	Motor Unit	CXE2273
15	Spring	CBH3017	64	Screw	JFZ20P025FTC
16	Spring	CBH3086	65	Screw	JGZ17P022FTC
17	Spring	CBH3019	66	Screw	EBA1028
18		67	CD Core Unit (S11.1STD-DOU)	CWX3985
19	Spring	CBL1822	68	Chassis	CNA3181
20	Pickup Unit(S10.5)(Service)	CXX1942			
21	Bracket	CND4553			
22	Arm	CND4555			
23	Bracket	CND5709			
24	Bracket	CND5710			
25	Lever	CND5398			
26	Sheet	CNN2280			
27	Rack	CNV8342			
28	Guide	CNW1171			
29	Roller	CNW1172			
30	Arm	CNW2157			
31	Arm	CNW1174			
32	Roller	CNW1175			
33	Lever	CNW1176			
34	Arm	CNW1177			
35	Arm	CNW1178			
36	Gear	CNW1180			
37	Gear	CNW1181			
38				
39	Gear	CNW1183			
40	Rack	CNW1184			
41	Gear	CNW1185			
42	Gear	CNW1186			
43	Gear	CNW1187			
44	Gear	CNW1188			
45	Clamper	CNW1190			
46	Arm	CNW1192			
47	Holder	CNW1193			
48	Holder	CNW1194			
49	Damper	CNW1197			

12. ELECTRICAL PARTS LIST

NOTE:

- Parts whose parts numbers are omitted are subject to being not supplied.
- The part numbers shown below indicate chip components.

Chip Resistor

RS1/○S○○○○J,RS1/○○S○○○○J

Chip Capacitor (except for CQS.....)

CKS....., CCS....., CSZS.....

- The \triangle mark found on some component parts indicates the importance of the safety factor of the part. Therefore, when replacing, be sure to use parts of identical designation.
- Meaning of the figures and others in the parentheses in the parts list.

Example) IC 301 is on the point (face A, 91 of x-axis, and 111 of y-axis) of the corresponding PC board.

IC 301 (A, 91, 111) IC NJM2068V

Circuit Symbol and No.

Part No.

A:DEH-3300UB/XSUC

B:DEH-3390UB/XNID

C:DEH-3350UB/XNES

D:DEH-3350UB/X1NEC

E:DEH-3350UB/XSES

F:DEH-3350UB/XNES1

Unit Number: CWN5477(A)

: CWN5478(B,C,D,E,F)

Unit Name : Tuner Amp Unit

Unit Number:

Unit Name : Keyboard Unit

Unit Number: CWX3985

Unit Name : CD Core Unit(\$11.1STD-DOUT)

A

Unit Number: CWN5477(A)

: CWN5478(B,C,D,E,F)

Unit Name : Tuner Amp Unit

MISCELLANEOUS

IC 201	(A,98,112) IC	PML022A
IC 231	(A,137,60) D/A Converter	PCM1753DBQ
IC 301	(A,78,142) IC	PAL007E
IC 401	(A,150,91) IC	TDA7706
IC 501	(A,41,122) IC	BD2226G
IC 502	(A,20,114) IC	BD9008F
IC 551	(A,120,90) IC	341S2162
IC 601	(A,113,67) IC	R5S7266ZD144FP
IC 651	(A,92,63) IC	S-80827CNMC-B8M
IC 671	(A,129,82) Flash ROM Unit(A)	PEA012A8
	(A,129,82) Flash ROM Unit(B,C,D,E,F)	PEA011A8
IC 801	(A,108,25) L-MOS And Gate	TC7SET08FUS1

Circuit Symbol and No.

Part No.

IC 912	(A,145,28) IC	BA49182-V12
Q 251	(A,23,131) Chip Transistor	RN1910
Q 252	(A,13,129) Chip Transistor(B,C,D,E,F)	RN1910
Q 351	(A,88,127) Chip Transistor	RN4983
Q 551	(A,126,92) Transistor	LSA1576UB
Q 751	(A,142,139) Transistor	2SD2396
Q 752	(A,137,132) Chip Transistor	RN4983
Q 872	(A,146,52) Transistor	LTC114EUB
Q 873	(A,147,58) Transistor	LSA1576UB
Q 931	(A,118,105) Transistor	LSC4081UB
D 301	(A,100,127) Diode	CRG03
D 302	(A,97,127) Diode	CRG03
D 401	(A,158,106) Diode	KP2311E
D 402	(A,158,100) Diode	KP2311E
D 501	(A,29,110) Diode	RB160L-40
D 502	(A,22,125) Diode	CRG03
D 601	(A,114,84) Diode(B,C,D,E,F)	RB551V-30
D 602	(A,124,51) Diode(B,C,D,E,F)	RB751S-40
D 751	(A,141,131) Diode	RKZ8.2KG(B2)
D 801	(A,114,21) Diode	DZ2S068C
D 802	(A,116,21) Diode	DZ2S068C
D 803	(A,117,24) Diode	DZ2S068C
D 804	(A,120,21) Diode	DZ2S068C
D 805	(A,119,25) Diode	DZ2S068C
D 809	(A,99,20) Diode	DZ2S068C
D 810	(A,109,21) Diode	DZ2S068C
D 901	(A,139,120) Diode	1SR154-400
D 902	(A,136,120) Diode	1SR154-400
D 911	(A,156,65) Diode	1SR154-400
D 912	(A,160,65) Diode	1SR154-400
D 931	(A,116,108) Diode	HZU7L(A1)
L 401	(A,159,103) Chip Coil	LCTAWR15J2520
L 402	(A,151,101) Inductor	CTF1786
L 403	(A,146,103) Inductor	CTF1786
L 404	(A,155,104) Chip Coil	LCTAWR27J2520
L 405	(A,142,104) Inductor	CTF1389
L 406	(A,139,101) Inductor	LCTAW220J2520
L 407	(A,162,96) Inductor	CTF1786
L 408	(A,162,94) Inductor	CTF1786
L 409	(A,138,94) Chip Coil	LCTAW470J2520
L 415	(A,146,81) Inductor	CTF1786
L 420	(A,145,107) Inductor(A)	LCYB68NJ1608

5		6		7		8	
<u>Circuit Symbol and No.</u>		<u>Part No.</u>		<u>Circuit Symbol and No.</u>		<u>Part No.</u>	
L 501	(A,34,110) Coil	CTH1475		R 553	(A,118,85)	RS1/16SS103J	
L 671	(A,133,78) Inductor	CTF1786		R 556	(A,122,85)	RS1/16SS272J	
L 802	(A,114,26) Inductor	CTF1713		R 557	(A,120,85)	RS1/16SS472J	
L 901	(A,112,141) Choke Coil 600 uH	CTH1432		R 558	(A,125,89)	RS1/16SS472J	A
X 401	(A,161,87) Oscillator 36.48 MHz	CSS1805		R 559	(A,116,85)	RS1/16SS101J	
X 601	(A,129,61) Ceramic Resonator 16.934 MHz	CSS1603		R 560	(A,119,85)	RS1/16SS101J	
X 602	(A,109,51) Oscillator 12.000 MHz	YSS5005		R 601	(A,112,85)	RS1/16SS103J	
⚠ P251	(A,7,129) Fuse 3 A	CEK1286		R 602	(A,109,82)	RS1/16SS473J	
P 401	(A,155,109) Surge Protector	IMSA-6802-01Y900		R 603	(A,111,85)	RS1/16SS104J	
CN701	(A,91,39) Connector	VKN1192		R 604	(A,98,81)	RAB4CQ473J	
CN801	(A,109,4) Connector	CKS6288		R 606	(A,100,78)	RS1/16SS473J	
JA251	(A,19,138) Pin Jack(A)	YKB5010		R 607	(A,100,73)	RS1/16SS473J	
	(A,19,138) Pin Jack(B,C,D,F)	CKB1099		R 608	(A,97,73)	RS1/16SS473J	
	(A,19,138) Pin Jack(E)	YKB5011		R 609	(A,127,69)	RS1/16SS101J	
JA401	(A,158,129) Antenna Jack	YKS5041		R 610	(A,100,67)	RS1/16SS222J	B
JA901	(A,113,141) Plug	CKM1586		R 611	(A,132,69)	RS1/16SS101J	
JA961	(A,42,139) Connector(B,C,D,E,F)	CKS4124		R 612	(A,98,79)	RS1/16SS473J	
⚠	Fuse 10 A	YEK5001		R 613	(A,132,68)	RS1/16SS101J	
				R 615	(A,98,64)	RS1/16SS104J	

RESISTORS

R 201	(A,96,63)	RAB4CQ102J		R 617	(A,127,65)	RS1/16SS221J	
R 231	(A,142,60)	RS1/16SS821J		R 619	(A,130,57)	RAB4CQ473J	
R 232	(A,143,60)	RS1/16SS821J		R 620	(A,99,60)	RS1/16SS473J	
R 251	(A,19,131)	RS1/16SS821J		R 621	(A,125,54)	RS1/16SS473J	
R 252	(A,29,131)	RS1/16SS821J		R 622	(A,103,50)	RS1/16SS473J	
R 253	(A,9,129) (B,C,D,E,F)	RS1/16SS821J		R 623	(A,108,54)	RS1/16SS152J	C
R 254	(A,18,130) (B,C,D,E,F)	RS1/16SS821J		R 624	(A,103,52)	RS1/16SS473J	
				R 626	(A,116,53)	RS1/16SS5601F	
R 255	(A,21,131)	RS1/16SS223J		R 628	(A,123,53)	RS1/16SS103J	
R 256	(A,26,131)	RS1/16SS223J		R 629	(A,97,58)	RS1/16SS102J	
R 257	(A,11,129) (B,C,D,E,F)	RS1/16SS223J					
R 258	(A,15,130) (B,C,D,E,F)	RS1/16SS223J		R 630	(A,122,49) (A)	RS1/16SS473J	
R 303	(A,86,123)	RS1/16SS103J		R 631	(A,121,53) (B,C,D,E,F)	RS1/16SS473J	
R 304	(A,86,125)	RS1/16SS473J		R 632	(A,117,47)	RS1/16SS103J	
R 351	(A,92,127)	RS1/16SS103J		R 633	(A,119,45)	RS1/16SS101J	
				R 636	(A,103,53)	RS1/16SS473J	
R 352	(A,90,128)	RS1/16SS103J		R 638	(A,123,32)	RS1/16SS0R0J	
R 353	(A,92,128)	RS1/16SS221J					
R 401	(A,161,106)	RS1/16SS221J		R 651	(A,91,60)	RS1/16SS104J	D
R 402	(A,161,100)	RS1/16SS751J		R 671	(A,133,83)	RS1/10SR473J	
R 403	(A,139,103)	RS1/16SS152J		R 672	(A,129,88)	RS1/10SR473J	
				R 691	(A,92,22)	RS1/10SR222J	
R 405	(A,142,99)	RS1/16SS105J		R 701	(A,95,45)	RS1/16SS473J	
R 406	(A,138,97)	RS1/16SS471J					
R 407	(A,139,96)	RS1/16SS330J		R 702	(A,95,39)	RS1/16SS104J	
R 408	(A,138,92)	RS1/16SS681J		R 703	(A,97,41)	RS1/16SS104J	
R 410	(A,136,80)	RS1/4SA8R2J		R 704	(A,96,49)	RAB4CQ472J	
				R 707	(A,95,46)	RS1/16SS221J	
R 412	(A,137,85)	RS1/4SA8R2J		R 708	(A,95,44)	RS1/16SS221J	
R 413	(A,145,108)	RS1/16SS105J					
R 419	(A,132,72)	RS1/16SS103J		R 709	(A,95,43)	RS1/16SS101J	
R 420	(A,133,72)	RS1/16SS103J		R 710	(A,95,42)	RS1/16SS221J	E
R 421	(A,153,80)	RS1/16SS0R0J		R 711	(A,95,41)	RS1/16SS101J	
				R 712	(A,95,40)	RS1/16SS102J	
R 427	(A,142,84)	RS1/16SS102J		R 713	(A,96,37)	RS1/16SS151J	
R 428	(A,139,87)	RS1/16SS0R0J					
R 501	(A,22,120)	RS1/10SR471J		R 714	(A,96,36)	RS1/16SS151J	
R 502	(A,23,117)	RS1/16SS4702F		R 715	(A,96,35)	RS1/16SS151J	
R 503	(A,21,117)	RS1/16SS682J		R 716	(A,95,31)	RS1/16SS221J	
				R 717	(A,95,32)	RS1/16SS104J	
R 504	(A,20,120)	RS1/16SS1002F		R 751	(A,95,47)	RS1/16SS473J	
R 505	(A,26,113)	RS1/16SS183J					
R 506	(A,15,114)	RS1/16SS513J		R 752	(A,97,47)	RS1/16SS103J	
R 508	(A,95,67)	RS1/16SS103J		R 753	(A,139,134)	RS1/10SR821J	F
R 551	(A,121,95)	RS1/16SS473J		R 801	(A,117,30)	RS1/10SR101J	
				R 802	(A,119,30)	RS1/10SR101J	
R 552	(A,117,85)	RS1/16SS103J		R 806	(A,105,25)	RS1/10SR222J	

1

2

3

4

Circuit Symbol and No.**Part No.****Circuit Symbol and No.****Part No.**

R 807	(A,108,21)	RS1/10SR222J			
R 808	(A,103,24)	RS1/16SS822J	C 307	(A,76,132)	CKSRYB474K10
R 809	(A,113,29)	RS1/10SR8R2J	C 308	(A,79,132)	CKSRYB474K10
R 810	(A,115,29)	RS1/10SR8R2J	C 309	(A,137,135)	CKSRYB104K16
R 811	(A,122,26)	RS1/10SR222J	C 310	(A,82,129) 2.2 uF	CCG1205
			C 311	(A,82,131) 2.2 uF	CCG1205
R 812	(A,102,25)	RS1/10SR222J			
R 813	(A,100,25)	RS1/10SR222J	C 312	(A,98,128)	CKSRYB104K16
R 819	(A,105,12)	RS1/10SR0R0J	C 313	(A,67,128)	CEVW100M16
R 820	(A,118,30)	RS1/10SR101J	C 314	(A,61,135)	CCSSCH100D50
R 821	(A,120,28)	RS1/16SS223J	C 315	(A,84,129)	CCSSCH100D50
			C 317	(A,62,136)	CCSSCK1R0C50
R 822	(A,117,27)	RS1/16SS223J			
R 823	(A,124,7)	RS1/10SR222J	C 318	(A,107,129)	CCSRCH100D50
R 851	(A,98,23)	RS1/16SS472J	C 319	(A,103,129)	CCSRCH100D50
R 872	(A,125,28)	RS1/10SR473J	C 320	(A,96,133)	CCSRCH100D50
R 873	(A,148,53)	RS1/16SS562J	C 321	(A,92,137)	CCSRCH100D50
			C 351	(A,94,127) 10 uF	CCG1192
R 874	(A,148,55)	RS1/16SS103J			
R 911	(A,141,41)	RS1/10SR1R0J	C 401	(A,155,107)	CCSSCH330J50
R 912	(A,144,42)	RS1/10SR1R0J	C 402	(A,158,105)	CCSSCH6R0D50
R 931	(A,121,106)	RS1/16SS223J	C 403	(A,161,105)	CKSSYB103K16
R 932	(A,118,107)	RS1/16SS473J	C 404	(A,150,100)	CKSSYB104K10
			C 405	(A,147,100)	CKSSYB104K10
R 933	(A,115,106)	RS1/16SS472J			
R 934	(A,115,114)	RS1/4SA102J	C 406	(A,160,101)	CKSSYB103K16
R 961	(A,50,134) (B,C,D,E,F)	RS1/16SS102J	C 407	(A,148,100)	CKSSYB104K10
R 962	(A,48,134) (B,C,D,E,F)	RS1/16SS102J	C 409	(A,162,101)	CKSSYB103K16
			C 410	(A,148,99)	CKSSYB103K16
			C 411	(A,145,100)	CKSSYB103K16
C CAPACITORS					
C 201	(A,106,108) 10 uF	CCG1192	C 412	(A,144,101) 10 uF	CCG1192
C 202	(A,100,106)	CCSSCH100D50	C 413	(A,155,101)	CKSSYB103K16
C 203	(A,103,108) 4.7 uF	CCG1201	C 414	(A,152,102)	CKSRYB105K10
C 204	(A,100,107)	CCSSCH100D50	C 415	(A,140,99)	CKSSYB103K16
C 205	(A,94,106)	CKSRYB105K10	C 416	(A,159,96)	CKSRYB224K16
C 206	(A,94,118)	CKSRYB105K10	C 417	(A,160,96)	CKSSYB104K10
C 207	(A,97,106)	CKSRYB105K10	C 418	(A,138,98) 10 uF	CCG1192
C 208	(A,96,119)	CKSRYB105K10	C 419	(A,158,93)	CKSRYB105K10
C 209	(A,98,106)	CKSRYB105K10	C 420	(A,140,97)	CKSSYB104K10
C 210	(A,98,119)	CKSRYB105K10	C 421	(A,137,96)	CCSSCH101J50
C 211	(A,95,106)	CKSSYB224K6R3	C 422	(A,143,98)	CKSSYB104K10
C 212	(A,95,119)	CKSSYB224K6R3	C 423	(A,136,96)	CKSSYB103K16
C 215	(A,102,108)	CCSSCH100D50	C 424	(A,162,92)	CKSSYB472K25
C 232	(A,138,56)	CKSSYB103K16	C 425	(A,162,93)	CKSSYB472K25
C 233	(A,139,55) 10 uF	CCG1192	C 426	(A,158,91)	CKSSYB104K10
C 234	(A,138,66) 10 uF	CCG1192	C 427	(A,138,91)	CCSSCH820J50
C 237	(A,142,62)	CCSRCH182J50	C 428	(A,161,90)	CCSSCH9R0D50
C 238	(A,143,64)	CCSRCH182J50	C 429	(A,161,85)	CCSSCH9R0D50
C 239	(A,141,60)	CKSSYB102K50	C 430	(A,139,85)	CKSRYB474K10
C 251	(A,31,129) 4.7 uF	CCG1201	C 431	(A,158,84)	CKSSYB104K10
C 252	(A,35,131) 4.7 uF	CCG1201	C 437	(A,156,82)	CKSSYB104K10
C 253	(A,31,127) 4.7 uF(B,C,D,E,F)	CCG1201	C 440	(A,147,83)	CKSSYB104K10
C 254	(A,35,128) 4.7 uF(B,C,D,E,F)	CCG1201	C 441	(A,152,82) 2.2 uF	CCG1205
C 255	(A,20,130)	CCSSCH101J50	C 443	(A,145,104) (B,C,D,E,F)	CKSSYB103K16
C 256	(A,28,131)	CCSSCH101J50	C 445	(A,142,101)	CKSSYB223K16
			C 447	(A,142,86)	CKSSYB102K50
C 257	(A,10,129) (B,C,D,E,F)	CCSSCH101J50			
C 258	(A,17,130) (B,C,D,E,F)	CCSSCH101J50	C 451	(A,142,103) (A)	CCSSCJ3R0C50
C 259	(A,35,139)	CKSSYB102K50	C 452	(A,134,91) (A)	CKSSYB102K50
C 301	(A,74,128)	CKSRYB474K10	C 455	(A,137,89) (A)	CCSSCH100D50
			C 501	(A,38,122)	CKSRYB105K10
			C 503	(A,32,120)	CEVQW221M6R3
C 302	(A,81,128)	CKSRYB474K10			
C 303	(A,76,128)	CKSRYB474K10			
C 304	(A,80,128)	CKSRYB474K10	C 504	(A,44,123)	CKSRYB105K10
C 305	(A,74,132)	CKSRYB474K10	C 505	(A,12,121)	CEJQ221M16
C 306	(A,81,132)	CKSRYB474K10	C 506	(A,27,113)	CKSSYB153K16
			C 508	(A,25,114)	CCSSCH220J50

1

2

3

4

5		6		7		8	
<u>Circuit Symbol and No.</u>		<u>Part No.</u>		<u>Circuit Symbol and No.</u>		<u>Part No.</u>	
C 509	(A,24,110)	CKSRYB105K16		C 926	(A,133,41)	CKSRYB102K50	
C 551	(A,122,95)	CKSSYB104K10		C 931	(A,114,105)	CKSRYB104K16	
C 552	(A,121,86)	CKSSYB104K10		C 961	(A,48,138) (B,C,D,E,F)	CKSSYB104K16	A
C 601	(A,116,80)	CKSSYB104K10		C 962	(A,50,138) (B,C,D,E,F)	CKSSYB104K16	
C 602	(A,113,80)	CKSSYB104K10		B Unit Number : Unit Name : Keyboard Unit			
C 603	(A,109,80)	CKSSYB104K10					
C 604	(A,99,76)	CKSSYB104K10					
C 605	(A,126,74)	CKSSYB104K10					
C 606	(A,100,75)	CKSSYB104K10					
C 607	(A,128,73)	CKSSYB104K10					
C 608	(A,100,71)	CKSSYB104K10					
C 609	(A,127,70)	CKSSYB104K10					
C 610	(A,100,69)	CKSSYB104K10					
C 612	(A,130,69)	CKSSYB104K10					
C 616	(A,100,64)	CKSSYB104K10					
C 617	(A,129,65)	CCSSCH100D50					
C 618	(A,99,63)	CKSSYB104K10					
C 619	(A,127,64)	CKSSYB104K10					
C 620	(A,132,61)	CKSSYB104K10					
C 621	(A,100,60)	CKSSYB104K10					
C 622	(A,124,53)	CKSSYB104K10					
C 623	(A,119,53)	CKSSYB104K10					
C 624	(A,118,52)	CKSSYB104K10					
C 625	(A,117,53)	CKSSYB104K10		IC 1801	(B,88,24) IC	PD6340A	
C 626	(A,115,53)	CKSSYB104K10		IC 1802	(A,160,35) Remote IC	GP1UXC14RK	
C 627	(A,113,52)	CKSSYB104K10		D 1868	(A,11,42) LED(RED) (A,B,C,E,F)	SML-D12V8W(PQ)	B
C 628	(A,109,54)	CKSSYB104K10			(A,11,42) LED(D)	SML-D12D8W(RS)	
C 629	(A,104,54)	CKSSYB104K10		D 1869	(A,6,35) LED(RED) (A,B,C,E,F)	SML-D12V8W(PQ)	
C 630	(A,123,54)	CKSSYB104K10			(A,6,35) LED(D)	SML-D12D8W(RS)	
C 632	(A,110,49)	CCSSCH120J50		D 1870	(A,7,22) LED(RED) (A,B,C,E,F)	SML-D12V8W(PQ)	
C 633	(A,108,49)	CCSSCH120J50			(A,7,22) LED(D)	SML-D12D8W(RS)	
C 638	(A,117,45)	CKSRYB105K10		D 1871	(A,22,10) LED(RED) (A,B,C,E,F)	SML-D12V8W(PQ)	
C 651	(A,95,60)	CKSRYB105K10			(A,22,10) LED(D)	SML-D12D8W(RS)	
C 671	(A,133,81)	CKSSYB104K10		D 1872	(A,18,21) LED(RED) (A,B,C,E,F)	SML-D12V8W(PQ)	
C 701	(A,98,41)	CKSSYB103K16			(A,18,21) LED(D)	SML-D12D8W(RS)	
C 707	(A,88,30)	CKSSYB102K50		D 1873	(A,25,32) LED(RED) (A,B,C,E,F)	SML-D12V8W(PQ)	
C 708	(A,87,32)	CKSRYB105K10			(A,25,32) LED(D)	SML-D12D8W(RS)	
C 751	(A,142,127) 10 uF	CCG1192		D 1874	(A,55,8) LED(RED) (A,B,C,E,F)	SML-D12V8W(PQ)	C
C 754	(A,140,130)	CKSSYB104K10			(A,55,8) LED(D)	SML-D12D8W(RS)	
C 807	(A,106,21)	CKSRYB104K16		D 1875	(A,60,19) LED(RED) (A,B,C,E,F)	SML-D12V8W(PQ)	
C 808	(A,94,24)	CKSRYB104K16			(A,60,19) LED(D)	SML-D12D8W(RS)	
C 809	(A,122,21)	CKSRYB104K16		D 1876	(A,54,29) LED(RED) (A,B,C,E,F)	SML-D12V8W(PQ)	
C 810	(A,103,21)	CCSRCH221J50			(A,54,29) LED(D)	SML-D12D8W(RS)	
C 811	(A,101,21)	CCSRCH221J50		D 1877	(A,71,6) LED(RED) (A,B,C,E,F)	SML-D12V8W(PQ)	
C 812	(A,120,26)	CKSRYB105K16			(A,71,6) LED(D)	SML-D12D8W(RS)	
C 817	(A,110,28)	CKSSYB104K10		D 1878	(A,83,6) LED(RED) (A,B,C,E,F)	SML-D12V8W(PQ)	
C 818	(A,125,10)	CKSQYB102K50			(A,83,6) LED(D)	SML-D12D8W(RS)	
C 820	(A,105,21)	CCSRCH221J50		D 1879	(A,95,6) LED(RED) (A,B,C,E,F)	SML-D12V8W(PQ)	D
C 871	(A,124,26)	CKSRYB104K16			(A,95,6) LED(D)	SML-D12D8W(RS)	
C 901	(A,133,125) 3 300 uF/16 V	CCH1732		D 1880	(A,143,9) LED(RED) (A,B,C,E,F)	SML-D12V8W(PQ)	
C 913	(A,140,40)	CKSSYB102K50			(A,143,9) LED(D)	SML-D12D8W(RS)	
C 914	(A,141,44) 4.7 uF	CCG1201		D 1881	(A,131,8) LED(RED) (A,B,C,E,F)	SML-D12V8W(PQ)	
C 916	(A,150,43) 4.7 uF	CCG1201			(A,131,8) LED(D)	SML-D12D8W(RS)	
C 917	(A,138,41) 4.7 uF	CCG1201		D 1882	(A,119,8) LED(RED) (A,B,C,E,F)	SML-D12V8W(PQ)	
C 918	(A,153,42) 4.7 uF	CCG1201			(A,119,8) LED(D)	SML-D12D8W(RS)	
C 919	(A,145,40)	CKSSYB102K50		D 1883	(A,107,7) LED(RED) (A,B,C,E,F)	SML-D12V8W(PQ)	
C 920	(A,147,42) 4.7 uF	CCG1201			(A,107,7) LED(D)	SML-D12D8W(RS)	
C 921	(A,133,40)	CKSRYB104K16		D 1913	(A,69,23) White LED	SMLXA4WBETW1(Z1)	
C 922	(A,155,52)	CEAT102M16(P30)		X 1801	(B,76,22) Ceramic Resonator 5.00 MHz	CSS1547	
C 923	(A,154,40)	CKSSYB102K50		S 1845	(A,39,19) Encoder(MULTI-CONTROL)	CSD1168	E
				CN1821	(B,108,10) Connector	CKS6287	
				CN1901	(A,154,7) Jack(A,E)	YKN5001	
					(A,154,7) Jack(B,C,D,F)	CKN1082	
				CN1911	(A,155,22) Connector(A,E)	CKS6266	
					(A,155,22) Connector(B,C,D,F)	CKS6267	
				V 1801	(A,143,32) LCD	CAW1998	
				RESISTORS			
				R 1804	(B,147,30)	RS1/10SR101J	F
				R 1805	(B,74,18)	RS1/10SR222J	
				R 1806	(B,73,16)	RS1/10SR222J	
				R 1822	(B,55,28)	RS1/10SR273J	
				R 1823	(A,146,4)	RS1/10SR0R0J	

1

2

3

4

Circuit Symbol and No.**Part No.****Circuit Symbol and No.****Part No.**

R 1824 (B,25,20) RS1/10SR0R0J
 R 1880 (B,56,20) RS1/4SA271J
 R 1888 (B,61,26) RS1/10SR0R0J
 R 1894 (B,17,19) (A,B,C,E,F) RS1/10SR272J
 (B,17,19) (D) RS1/10SR682J
 R 1895 (B,56,12) (A,B,C,E,F) RS1/10SR272J
 (B,56,12) (D) RS1/10SR682J

R 281 (A,31,22)
 R 282 (A,30,22)
 R 283 (B,32,18)
 R 291 (B,31,17)
 R 292 (B,32,16)
 R 293 (B,32,11)
 R 294 (A,18,28)

RS1/16SS560J
 RS1/16SS560J
 RS1/16SS0R0J
 RS1/16SS560J
 RS1/16SS0R0J
 RS1/16SS0R0J
 RS1/16SS471J

R 1896 (B,139,20) (A,B,C,E,F) RS1/10SR272J
 (B,139,20) (D) RS1/10SR682J
 R 1897 (B,16,13) (A,B,C,E,F) RS1/10SR272J
 (B,16,13) (D) RS1/10SR682J
 R 1898 (B,48,6) (A,B,C,E,F) RS1/10SR102J
 (B,48,6) (D) RS1/10SR222J
 R 1899 (B,61,13) RS1/4SA271J

R 296 (B,32,30)
 R 299 (B,31,13)
 R 305 (A,60,34)
 R 306 (A,61,37)
 R 307 (A,58,34)

RS1/16SS0R0J
 RS1/16SS0R0J
 RS1/16SS183J
 RS1/16SS183J
 RS1/16SS183J

CAPACITORS

C 1801 (B,149,33) 10 uF CCG1192
 C 1802 (B,98,24) CKSRYB105K10

R 308 (A,58,36)
 R 701 (B,37,21)
 R 702 (B,38,20)
 R 706 (B,43,11)
 R 708 (A,40,22)

RS1/16SS183J
 RS1/16SS101J
 RS1/16SS101J
 RS1/16SS221J
 RS1/16SS0R0J

C**Unit Number : CWX3985****Unit Name : CD Core Unit(S11.1STD-DOUT)****MISCELLANEOUS**

IC 201 (A,28,33) IC PE5756A
 IC 301 (A,64,27) IC BA5839FP
 Q 101 (B,8,56) Transistor 2SA1577
 Q 102 (B,21,51) Chip Digital Transistor LTA123JUB
 X 201 (A,15,27) Ceramic Resonator 16.934 MHz CSS1603

R 709 (A,40,21)
 R 722 (B,37,22)

RS1/16SS0R0J
 RS1/16SS0R0J

S 901 (A,42,53) Switch(HOME) CSN1080
 S 903 (B,21,12) Switch(DSCSNS) CSN1081

CAPACITORS

C 104 (B,11,55)
 C 203 (A,18,35)
 C 209 (A,17,28)
 C 210 (A,21,21)
 C 211 (A,24,23)

CKSQYB475K6R3
 CKSSYB104K10
 CKSRYB104K16
 CKSSYB104K10
 CKSSYB104K10

CN101 (A,16,58) Connector CKS4808
 CN701 (A,37,10) Connector CKS6146

C 212 (A,38,33)
 C 213 (A,40,41)
 C 214 (A,40,40)
 C 215 (A,38,37)
 C 216 (A,36,46)

CKSSYB104K10
 CKSSYB332K50
 CKSSYB473K10
 CKSSYB104K10
 CKSSYB182K50

RESISTORS

R 101 (B,6,59) RS1/10SR2R4J
 R 102 (B,7,59) RS1/10SR2R4J
 R 103 (B,8,59) RS1/10SR2R7J
 R 108 (B,19,53) RS1/16SS105J
 R 109 (B,11,52) RS1/16SS222J

C 217 (A,31,46)
 C 218 (A,29,46)
 C 219 (A,32,43)
 C 220 (B,32,41)
 C 221 (A,35,43)

CCSSCH560J50
 CCSSCH4R0C50
 CKSSYB104K10
 CKSSYB104K10
 CKSSYB104K10

R 214 (A,38,41) RS1/16SS103J
 R 215 (A,38,40) RS1/16SS393J
 R 216 (A,30,44) RS1/16SS122J
 R 217 (A,33,46) RS1/16SS562J
 R 218 (A,30,46) RS1/16SS472J

C 222 (A,29,43)
 C 223 (A,25,44)
 C 224 (A,23,44)
 C 225 (A,20,43)
 C 228 (A,32,46)

CKSSYB104K10
 CCSSCH680J50
 CCSSCH470J50
 CKSSYB103K16
 CCSSCH270J50

R 225 (A,33,23) RS1/16SS0R0J
 R 229 (A,31,44) RS1/16SS471J
 R 232 (A,19,21) RS1/16SS0R0J
 R 235 (A,45,32) RS1/16SS103J
 R 236 (A,46,32) RS1/16SS103J

C 229 (B,28,40)
 C 231 (B,44,28)
 C 232 (B,45,28)
 C 233 (B,25,25)
 C 236 (B,26,41)

CKSSYB104K10
 CKSSYB102K50
 CKSSYB102K50
 CKSSYB103K16
 CKSSYB104K10

R 237 (B,24,25) RS1/16SS221J
 R 240 (B,26,30) RS1/16SS473J
 R 245 (B,28,30) RS1/16SS104J
 R 254 (B,29,30) RS1/16SS104J
 R 260 (B,41,21) RS1/16SS103J

C 238 (A,15,35)
 C 299 (A,17,33)
 C 304 (A,60,35)
 C 305 (A,58,35)
 C 306 (A,68,20)

CKSRYB104K16
 CKSSYB104K10
 CKSSYB472K25
 CKSSYB223K16
 CKSRYB105K10

R 262 (A,44,32) RS1/16SS472J
 R 263 (A,47,32) RS1/16SS472J
 R 264 (A,44,25) RS1/16SS102J

C 710 (B,43,10)

CKSSYB102K50

Miscellaneous Parts List

M 1 Motor Unit(SPDL) CXE2273
 M 2 Motor Unit(LOAD/CRG) CXC4026
 Pickup Unit(S10.5)(Service) CXX1942

1

2

3

4