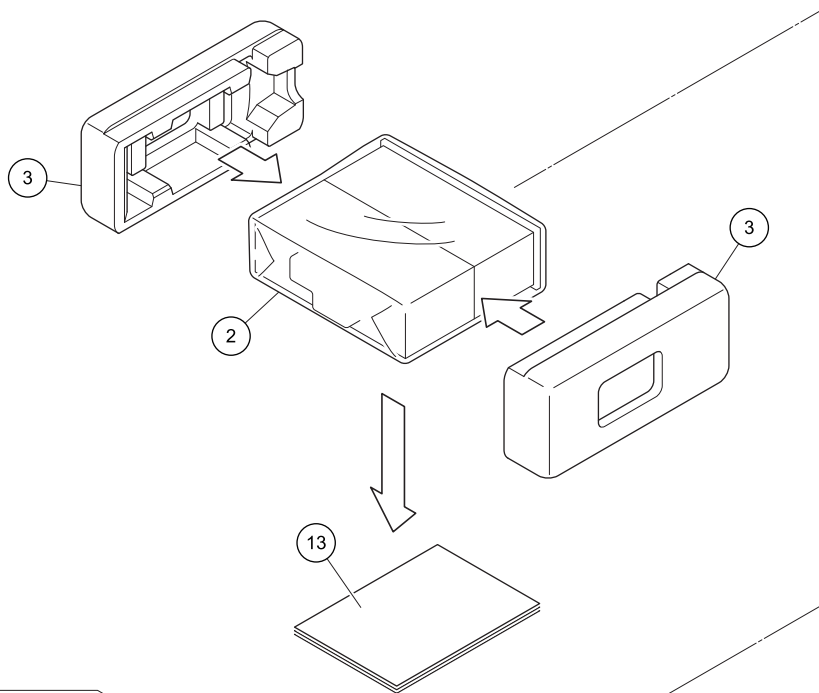


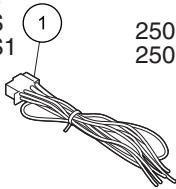
# 9. EXPLODED VIEWS AND PARTS LIST

- NOTES :
- Parts marked by "\*" are generally unavailable because they are not in our Master Spare Parts List.
  - The ⚠ mark found on some component parts indicates the importance of the safety factor of the part. Therefore, when replacing, be sure to use parts of identical designation.
  - Screw adjacent to ▽ mark on the product are used for disassembly.
  - For the applying amount of lubricants or glue, follow the instructions in this manual. (In the case of no amount instructions, apply as you think it appropriate.)

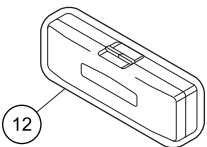
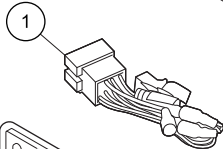
## 9.1 PACKING



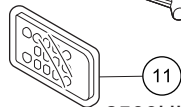
2500UI/XNUC  
2550UI/XNES  
2550UI/XMES  
2550UI/XMES1  
2590UI/XNID



2500UI/XNEW5  
2500UI/XMEW5

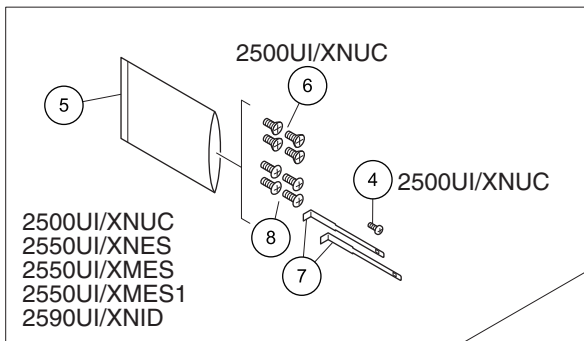
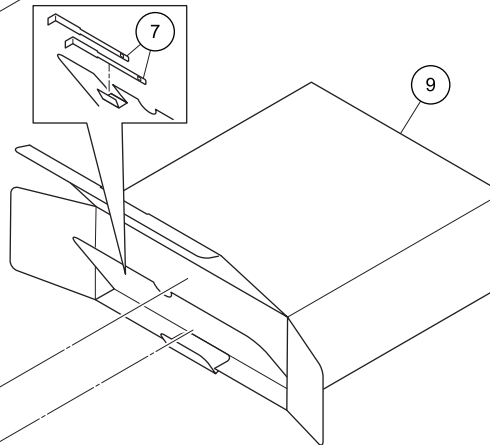


2500UI/XNEW5  
2500UI/XMEW5  
2550UI/XNES  
2550UI/XMES  
2550UI/XMES1  
2590UI/XNID

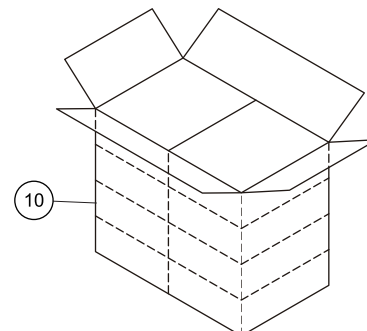


2500UI/XNUC  
2550UI/XNES  
2550UI/XMES  
2550UI/XMES1  
2590UI/XNID

2500UI/XNEW5  
2500UI/XMEW5



2500UI/XNUC  
2550UI/XNES  
2550UI/XMES  
2550UI/XMES1  
2590UI/XNID



**(1) PACKING SECTION PARTS LIST**

<b>Mark No.</b>	<b>Description</b>	<b>Part No.</b>	<b>Mark No.</b>	<b>Description</b>	<b>Part No.</b>
1	Cord Assy	See Contrast table (2)	9	Unit Box	See Contrast table (2)
2	Polyethylene Bag	See Contrast table (2)	10	Contain Box	See Contrast table (2)
3	Protector	CHP4594			
4	Screw	See Contrast table (2)	11	Card Remote Control Unit	See Contrast table (2)
5	Polyethylene Bag	See Contrast table (2)	12	Case Assy	See Contrast table (2)
			13-1	Owner's Manual	See Contrast table (2)
6	Screw	See Contrast table (2)	*	13-2 Warranty Card	See Contrast table (2)
7	Handle	QNC3021	*	13-3 Service Network	See Contrast table (2)
8	Screw	See Contrast table (2)			

**(2) CONTRAST TABLE**

DEH-2500UI/XNUC, DEH-2500UI/XNEW5, DEH-2500UI/XMEW5, DEH-2550UI/XNES, DEH-2550UI/XMES, DEH-2550UI/XMES1 and DEH-2590UI/XNID are constructed the same except for the following:

<b>Mark</b>	<b>No.</b>	<b>Description</b>	<b>DEH-2500UI/XNUC</b>	<b>DEH-2500UI/XNEW5</b>	<b>DEH-2500UI/XMEW5</b>	<b>DEH-2550UI/XNES</b>
	1	Cord Assy	CDP1480	QDP3012	QDP3012	CDP1480
	2	Polyethylene Bag	CEG1173	QEG3001	QEG3001	QEG3001
	4	Screw	BPZ20P060FTC	Not used	Not used	Not used
	5	Polyethylene Bag	CEG1160	Not used	Not used	CEG1160
	6	Screw	CRZ50P090FTC	Not used	Not used	Not used
	8	Screw	TRZ50P080FTC	Not used	Not used	TRZ50P080FTC
	9	Unit Box	QHG3309	QHG3308	QHG3381	QHG3311
	10	Contain Box	QHL3309	QHL3308	QHL3381	QHL3311
	11	Card Remote Control Unit	QXE1047	Not used	Not used	QXE1047
	12	Case Assy	Not used	QXA3129	QXA3129	QXA3129
	13-1	Owner's Manual	QRD3128	QRD3127	QRD3127	QRD3129
*	13-2	Warranty Card	QRY3001	CRY1376	CRY1376	Not used
*	13-3	Service Network	Not used	Not used	Not used	Not used

<b>Mark</b>	<b>No.</b>	<b>Description</b>	<b>DEH-2550UI/XMES</b>	<b>DEH-2550UI/XMES1</b>	<b>DEH-2590UI/XNID</b>
	1	Cord Assy	CDP1480	CDP1480	CDP1480
	2	Polyethylene Bag	QEG3001	QEG3001	QEG3001
	4	Screw	Not used	Not used	Not used
	5	Polyethylene Bag	CEG1160	CEG1160	CEG1160
	6	Screw	Not used	Not used	Not used
	8	Screw	TRZ50P080FTC	TRZ50P080FTC	TRZ50P080FTC
	9	Unit Box	QHG3382	QHG3383	QHG3315
	10	Contain Box	QHL3382	QHL3383	QHL3315
	11	Card Remote Control Unit	QXE1047	QXE1047	QXE1047
	12	Case Assy	QXA3129	QXA3129	QXA3129
	13-1	Owner's Manual	QRD3129	QRD3129	QRB3248
*	13-2	Warranty Card	Not used	CRY1250	CRY1304
*	13-3	Service Network	Not used	CRY1251	CRY1305

**Owner's Manual, Installation Manual**

<b>Part No.</b>	<b>Language</b>
QRD3127	English, French, Italian, Spanish(Espanol), German, Dutch, Russian
QRD3128	English, French, Spanish(Espanol)
QRD3129	English, Spanish(Espanol), Portuguese(B), Traditional Chinese, Arabic, Persian
QRB3248	English

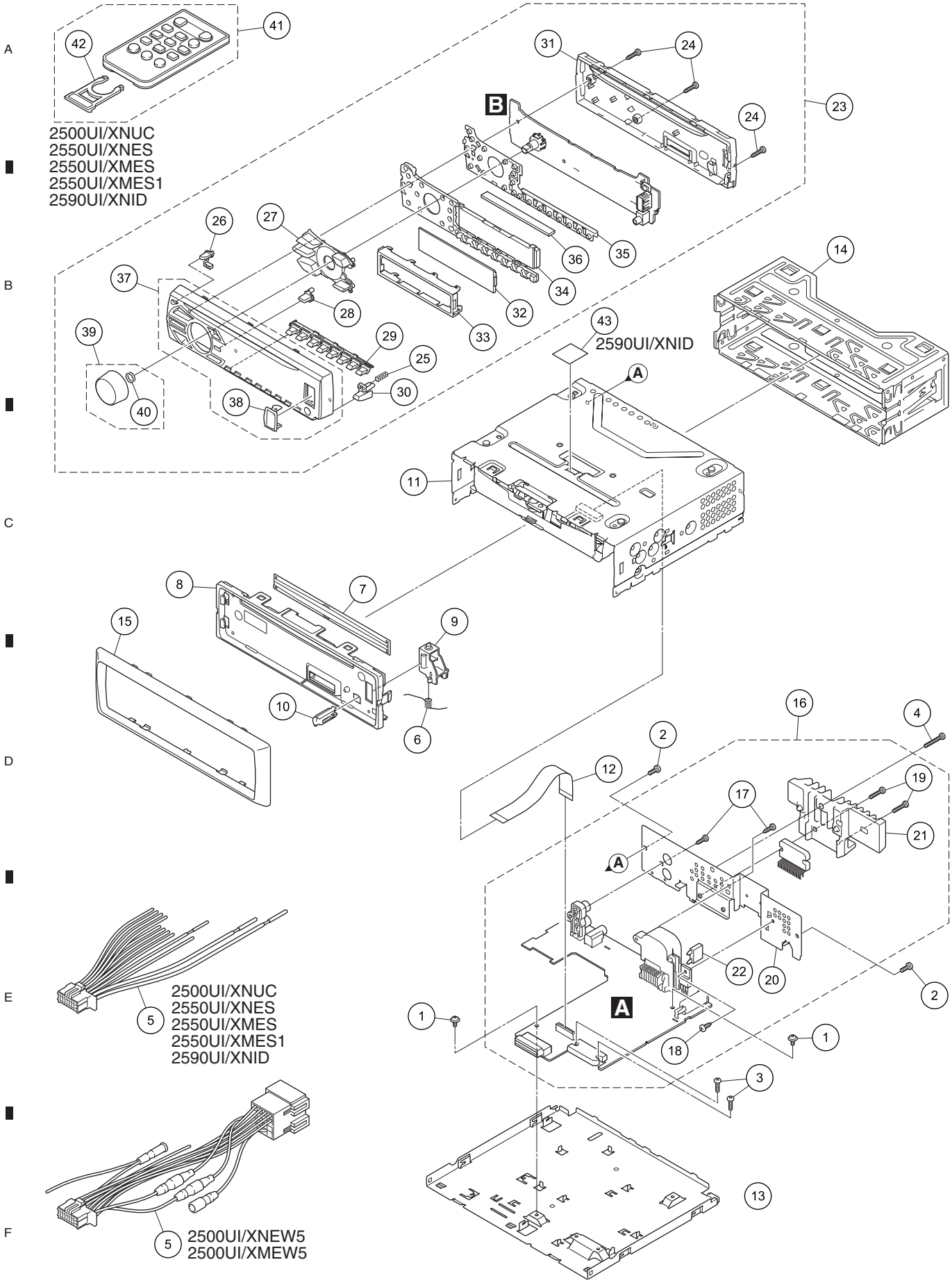
# 9.2 EXTERIOR

1

2

3

4



2500UI/XNUC  
2550UI/XNES  
2550UI/XMES  
2550UI/XMES1  
2590UI/XNID

2590UI/XNID

2500UI/XNUC  
2550UI/XNES  
2550UI/XMES  
2550UI/XMES1  
2590UI/XNID

2500UI/XNEW5  
2500UI/XMEW5

1

2

3

4

**(1) EXTERIOR SECTION PARTS LIST**

<u>Mark No.</u>	<u>Description</u>	<u>Part No.</u>	<u>Mark No.</u>	<u>Description</u>	<u>Part No.</u>
1	Screw	ASZ26P050FTC	23	Detachable Grille Assy	See Contrast table (2)
2	Screw	BSZ26P060FTC	24	Screw	BPZ20P100FTC
3	Screw	BSZ26P080FTC	25	Spring	CBH2210
4	Screw	BSZ26P120FTC			
5	Cord Assy	See Contrast table (2)	26	Button (EJECT)	QAC3075
			27	Button (SRC, BAND)	QAC3079
6	Spring	QBH3001	28	Button (DISP)	QAC3080
7	Cover	QNM3029	29	Button (< > 1-6)	QAC3081
8	Panel	QNS3126	30	Button (DETACH)	QAC3082
9	Arm	QNV3025			
10	Button	QNV3026	31	Cover	QNS3326
			32	Segment LCD (V1801)	CAW2024
11	CD Mechanism Module (S11.6)	CXK5804	33	Holder	QNC3045
12	FFC	QDE3029	34	Lighting Conductor	QNV3051
13	Case	QNB3005	35	Contact Rubber	QNV3052
14	Holder	QNC3020			
15	Panel	QNS3387	36	Rubber Connector	QNV3056
			37	Grille Unit	See Contrast table (2)
16	Tuner Amp Unit	See Contrast table (2)	38	Door	QAT3006
17	Screw	BPZ26P080FTC	39	Knob Unit	QXA3670
18	Screw	BSZ26P060FTC	40	Spring	YBL5010
19	Screw	BSZ26P120FTC			
20	Holder	See Contrast table (2)	41	Card Remote Control Unit	See Contrast table (2)
			42	Cover	See Contrast table (2)
21	Heat Sink	See Contrast table (2)	43	Label	See Contrast table (2)
⚠ 22	Fuse (10 A)	YEK5001			

**(2) CONTRAST TABLE**

DEH-2500UI/XNUC, DEH-2500UI/XNEW5, DEH-2500UI/XMEW5, DEH-2550UI/XNES, DEH-2550UI/XMES, DEH-2550UI/XMES1 and DEH-2590UI/XNID are constructed the same except for the following:

Mark	No.	Description	DEH-2500UI/XNUC	DEH-2500UI/XNEW5	DEH-2500UI/XMEW5	DEH-2550UI/XNES
	5	Cord Assy	CDP1480	QDP3012	QDP3012	CDP1480
	16	Tuner Amp Unit	QWM3458	QWM3457	QWM3457	QWM3459
	20	Holder	QNC3051	QNC3049	QNC3049	QNC3049
	21	Heat Sink	QNR3010	QNR3010	QNR3010	QNR3002
	23	Detachable Grille Assy	QXA3560	QXA3559	QXA3559	QXA3562
	37	Grille Unit	QXA3616	QXA3615	QXA3615	QXA3618
	41	Card Remote Control Unit	QXE1047	Not used	Not used	QXE1047
	42	Cover	CNS7068	Not used	Not used	CNS7068
	43	Label	Not used	Not used	Not used	Not used

Mark	No.	Description	DEH-2550UI/XMES	DEH-2550UI/XMES1	DEH-2590UI/XNID
	5	Cord Assy	CDP1480	CDP1480	CDP1480
	16	Tuner Amp Unit	QWM3459	QWM3459	QWM3460
	20	Holder	QNC3049	QNC3049	QNC3049
	21	Heat Sink	QNR3002	QNR3002	QNR3002
	23	Detachable Grille Assy	QXA3562	QXA3562	QXA3564
	37	Grille Unit	QXA3618	QXA3618	QXA3620
	41	Card Remote Control Unit	QXE1047	QXE1047	QXE1047
	42	Cover	CNS7068	CNS7068	CNS7068
	43	Label	Not used	Not used	CNN3533

# 9.3 CD MECHANISM MODULE

A

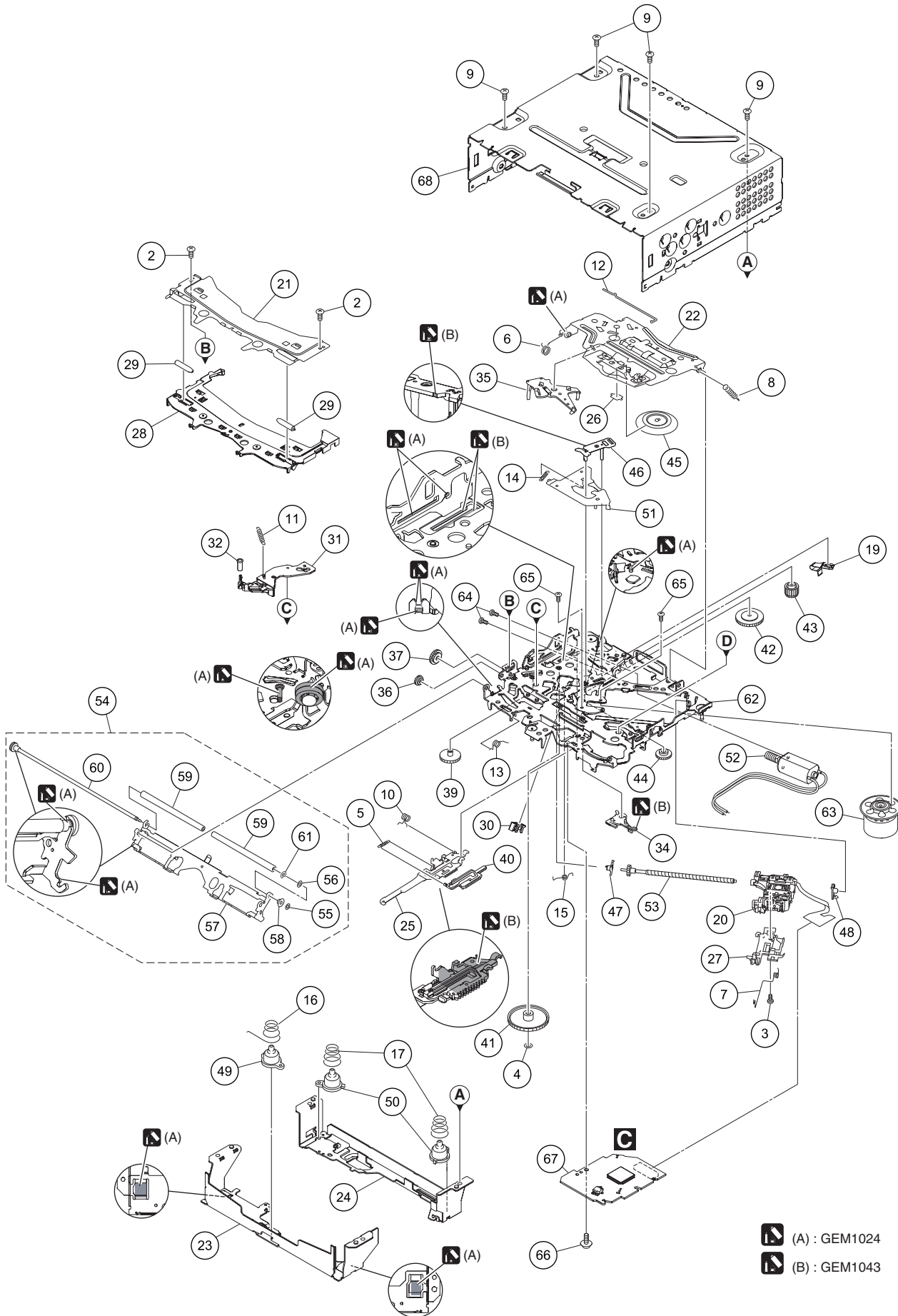
B



C

D

E

F



-  (A) : GEM1024
-  (B) : GEM1043

## CD MECHANISM MODULE SECTION PARTS LIST

<u>Mark No.</u>	<u>Description</u>	<u>Part No.</u>	<u>Mark No.</u>	<u>Description</u>	<u>Part No.</u>
1	.....		50	Damper	CNW1198
2	Screw	BSZ20P040FTC	51	Arm	CNW1726
3	Screw(M2 x 4)	CBA1835	52	Motor Unit(M2)(LOAD/CRG)	CXC4026
4	Washer	CBF1038	53	Screw Unit	CXC8894
5	Spring	CBH3010	54	Arm Assy	CXE5027
6	Spring	CBH2855	55	Washer	CBF1037
7	Spring	CBH2856	56	Washer	CBF1038
8	Spring	CBH2860	57	Arm	CND6242
9	Screw	BSZ26P060FTC	58	Collar	CNW2444
10	Spring	CBH3011	59	Roller	CNW1196
11	Coil Spring	CBH3095	60	Gear Unit	CXC8893
12	Spring	CBH3014	61	Washer	YE15FTC
13	Spring	CBH3015	62	Chassis Unit	CXE4528
14	Spring	CBH3016	63	Motor Unit(M1)(SPDL)	CXE2273
15	Spring	CBH3017	64	Screw	JFZ20P025FTC
16	Spring	CBH3086	65	Screw	JGZ17P022FTC
17	Spring	CBH3019	66	Screw	EBA1028
18	.....		67	CD Core Unit (S11.6STD)	CWX4023
19	Leaf Spring	CBL1824	68	Chassis	CNA3181
20	Pickup Unit(P10.6)(Service)	CXX3556			
21	Bracket	CND4553			
22	Arm	CND4555			
23	Bracket	CND6127			
24	Bracket	CND5710			
25	Lever	CND5398			
26	Sheet	CNN3678			
27	Rack	CNV8342			
28	Guide	CNW2240			
29	Roller	CNW1172			
30	Holder	CNW1195			
31	Arm	CNW2241			
32	Roller	CNW1175			
33	.....				
34	Arm	CNW1177			
35	Arm	CNW1178			
36	Gear	CNW1180			
37	Gear	CNW1181			
38	.....				
39	Gear	CNW1183			
40	Rack	CNW1184			
41	Gear	CNW1185			
42	Gear	CNW1186			
43	Gear	CNW1187			
44	Gear	CNW2287			
45	Clamper	CNW1190			
46	Arm	CNW1192			
47	Holder	CNW1193			
48	Holder	CNW1194			
49	Damper	CNW1197			

# 12. ELECTRICAL PARTS LIST

**NOTE:**

- Parts whose parts numbers are omitted are subject to being not supplied.
- The part numbers shown below indicate chip components.

Chip Resistor

RS1/○S○○○○J,RS1/○○S○○○○J

Chip Capacitor (except for CQS.....)

CKS....., CCS....., CSZS.....

- The  $\triangle$  mark found on some component parts indicates the importance of the safety factor of the part. Therefore, when replacing, be sure to use parts of identical designation.
- Meaning of the figures and others in the parentheses in the parts list.

Example) IC 301 is on the point (face A, 91 of x-axis, and 111 of y-axis) of the corresponding PC board.

IC 301 (A, 91, 111) IC NJM2068V

- The expression of the unit in this manual is shown by u instead of  $\mu$ . Please do not make a mistake.

**Circuit Symbol and No.**

**Part No.**

**Circuit Symbol and No.**

**Part No.**

**A:DEH-2500UI/XNUC**

**B:DEH-2500UI/XNEW5**

**C:DEH-2500UI/XMEW5**

**D:DEH-2550UI/XNES**

**E:DEH-2550UI/XMES**

**F:DEH-2550UI/XMES1**

**G:DEH-2590UI/XNID**

**Unit Number : QWM3458(A)**

**Unit Number : QWM3457(B,C)**

**Unit Number : QWM3459(D,E,F)**

**Unit Number : QWM3460(G)**

**Unit Name : Tuner Amp Unit**

**Unit Number :**

**Unit Name : Keyboard Unit**

**Unit Number : CWX4023**

**Unit Name : CD Core Unit (S11.6STD)**

IC 552	(A,106,24) IC	BD2232G-G
IC 601	(A,110,77) IC	R5S726A0D216FP
IC 671	(A,131,75) IC	S-80827CNMC-B8M
IC 681	(A,114,94) Flash ROM Unit(A)	PEB047A8
	(A,114,94) Flash ROM Unit(B,C,D,E,F,G)	PEB046A8
IC 801	(A,104,18) L-MOS And Gate	TC7SET08FUS1
IC 911	(A,145,28) IC	BA49183-V12
IC 961	(A,131,110) IC	TPD1052F
Q 251	(A,13,130) Chip Transistor(B,C,D,E,F,G)	RN1910
Q 252	(A,23,131) Chip Transistor	RN1910
Q 301	(A,87,125) Chip Transistor	RN4983
Q 302	(A,127,104) Transistor	LTC014YEB
Q 531	(A,93,97) Transistor	LSAR523UB
Q 601	(A,93,68) Transistor	LTC014YEB
Q 751	(A,142,139) Transistor	2SD2396
Q 752	(A,142,133) Chip Transistor	RN4983
Q 873	(A,149,72) Transistor	2SD1767
Q 874	(A,149,65) Chip Transistor	RN4983
Q 875	(A,147,54) Transistor	LTC043EEB
Q 941	(A,96,121) Transistor	LSCR523UB
Q 951	(A,123,110) Transistor(B,C)	LSAR523UB
D 301	(A,102,125) Diode	CRG03
D 302	(A,90,121) Diode	CRG03
D 401	(A,158,107) Diode	RN731VN
D 402	(A,158,100) Diode	RN731VN
D 551	(A,22,124) Diode	CMS03
D 552	(A,22,104) Diode	RB056L-40
D 751	(A,138,135) Diode	RKZ8.2KG(B2)
D 802	(A,92,17) Diode	DZ2S068C
D 803	(A,126,15) Diode	DZ2S068C
D 804	(A,119,14) Diode	DZ2S068C
D 805	(A,120,14) Diode	DZ2S068C
D 806	(A,116,13) Diode	DZ2S068C
D 807	(A,113,13) Diode	DZ2S068C
D 871	(A,148,61) Diode	RKZ7.5KG(B2)
D 901	(A,141,127) Diode	1SR154-400
D 902	(A,137,127) Diode	1SR154-400
D 911	(A,158,66) Diode	CRG03
D 912	(A,161,66) Diode	CRG03
D 941	(A,93,125) Diode(A,D,E,F,G)	HZU7L(A1)

**MISCELLANEOUS**

IC 201	(A,101,107) LSI	PM9013A
IC 301	(A,78,142) IC	PA2030A
IC 401	(A,150,91) IC	TDA7706
IC 531	(A,93,88) IC	337S3959
IC 551	(A,19,111) IC	BD9876EFJ

5		6		7		8	
<u>Circuit Symbol and No.</u>		<u>Part No.</u>		<u>Circuit Symbol and No.</u>		<u>Part No.</u>	
	(A,93,125) Diode(B,C)	HZU7L(C3)		R 403	(A,139,104) (A,B,C)	RS1/16SS391J	
D 951	(A,123,113) Diode(B,C)	1SS301			(A,139,104) (D,E,F,G)	RS1/16SS331J	
L 202	(A,94,102) Inductor	CTF1793		R 404	(A,142,99)	RS1/16SS105J	
L 401	(A,155,104) Chip Coil	LCTAWR27J2520		R 406	(A,154,108)	RS1/16SS105J	
				R 407	(A,139,96)	RS1/16SS330J	A
L 402	(A,159,104) Chip Coil	LCTAWR15J2520					
L 403	(A,151,102) Inductor	CTF1786		R 408	(A,137,97) (A,B,C)	RS1/16SS471J	
L 404	(A,146,102) Inductor	CTF1786			(A,137,97) (D,E,F,G)	RS1/16SS361J	
L 405	(A,151,108) Inductor(A)	LCYB68NJ1608		R 409	(A,144,98) (D,E,F,G)	RS1/16SS0R0J	
L 406	(A,147,105) Inductor(A,B,C)	CTF1389		R 410	(A,141,91)	RS1/16SS0R0J	
L 407	(A,147,107) Chip Coil(D,E,F,G)	LCTAWR27J2520		R 411	(A,138,91) (A,B,C)	RS1/16SS681J	
L 408	(A,141,104) Inductor(A,B,C)	LCTAW4R7J2520			(A,138,91) (D,E,F,G)	RS1/16SS391J	
	(A,141,104) Chip Coil(D,E,F,G)	LCTAW1R5J2520		R 412	(A,152,78)	RS1/4SA8R2J	
L 409	(A,143,109) Chip Coil(D,E,F,G)	LCTAWR39J2520		R 413	(A,158,78)	RS1/4SA8R2J	
				R 414	(A,139,87)	RS1/16SS0R0J	
L 410	(A,137,94) Chip Coil(A,B,C)	LCTAW470J2520					
	(A,137,94) Inductor(D,E,F,G)	LCTAW2R2J2520		R 415	(A,152,80) (A,D,E,F,G)	RS1/16SS0R0J	B
L 413	(A,144,82) Inductor	CTF1786		R 531	(A,91,94)	RS1/16SS473J	
L 414	(A,153,80) Inductor(B,C)	CTF1786		R 532	(A,91,85)	RS1/16SS222J	
				R 533	(A,92,85)	RS1/16SS222J	
L 419	(A,161,95) Inductor	CTF1786		R 534	(A,93,92)	RS1/16SS272J	
L 420	(A,161,96) Inductor	CTF1786					
L 551	(A,30,107) Inductor	CTH1524		R 535	(A,95,92)	RS1/16SS472J	
L 801	(A,115,17) Inductor	CTF1713		R 536	(A,96,92)	RS1/16SS472J	
L 901	(A,112,141) Choke Coil 600 uH	CTH1432		R 537	(A,96,85)	RS1/16SS101J	
L 951	(A,122,116) Chip Coil(B,C)	BTH1101		R 538	(A,95,84)	RS1/16SS101J	
				R 551	(A,25,111)	RS1/16SS682J	
X 401	(A,161,88) Crystal Resonator 36.48 MHz	CSS1848					
X 601	(A,126,76) Crystal Resonator 12 MHz	CSS1847		R 552	(A,30,112)	RS1/16SS0R0J	C
X 602	(A,117,90) Ceramic Resonator 16.934 MHz	CSS1603		R 553	(A,27,112)	RS1/16SS1803D	
△P251	(A,6,130) Fuse 3.0 A	CEK1386		R 554	(A,27,110)	RS1/16SS4302D	
P 402	(A,155,111) Surge Absorber	HSPC16701B02		R 555	(A,39,124)	RS1/10SR471J	
				R 601	(A,101,66) (B,C,D,E,F,G)	RS1/16SS473J	
VA801	(A,108,13) Varistor	EZJP0V270RM		R 602	(A,107,63)	RS1/16SS473J	
VA802	(A,101,13) Varistor	EZJP0V270RM		R 604	(A,116,59) (B,C)	RS1/16SS473J	
CN701	(A,114,32) Connector	VKN1192					
CN801	(A,109,4) Connector	CKS6452		R 609	(A,122,64)	RS1/16SS473J	
JA251	(A,19,138) Pin Jack(A)	CKB1056		R 610	(A,122,70)	RS1/16SS473J	
	(A,19,138) Pin Jack(B,C,D,E,F,G)	CKB1099		R 611	(A,124,72)	RS1/16SS473J	
				R 613	(A,121,76)	RS1/16SS152J	
JA401	(A,158,129) Antenna Jack	YKS5041		R 614	(A,122,78)	RS1/16SS473J	D
JA891	(A,42,138) Jack(B,C,D,E,F,G)	CKS6437					
JA901	(A,113,141) Connector	CKM1613		R 615	(A,130,79)	RS1/16SS473J	
△	Fuse 10 A	YEK5001		R 616	(A,125,68)	RS1/16SS473J	
				R 617	(A,131,81)	RS1/16SS103J	
				R 618	(A,125,82) (A,B,C)	RS1/16SS473J	
				R 619	(A,126,82) (D,E,F,G)	RS1/16SS473J	
				R 622	(A,125,87)	RS1/16SS473J	
				R 623	(A,130,85)	RAB4CQ473J	
R 251	(A,18,131) (B,C,D,E,F,G)	RS1/16SS821J		R 625	(A,114,90)	RS1/16SS101J	
R 252	(A,9,132) (B,C,D,E,F,G)	RS1/16SS821J		R 626	(A,113,90)	RS1/16SS101J	
R 253	(A,15,131) (B,C,D,E,F,G)	RS1/16SS223J		R 627	(A,112,88)	RS1/16SS101J	
R 254	(A,11,131) (B,C,D,E,F,G)	RS1/16SS223J		R 628	(A,111,90)	RS1/16SS101J	
							E
R 255	(A,29,132)	RS1/16SS821J					
R 256	(A,19,131)	RS1/16SS821J					
R 257	(A,28,131)	RS1/16SS223J					
R 258	(A,21,131)	RS1/16SS223J		R 629	(A,109,92)	RS1/16SS101J	
R 301	(A,68,127)	RS1/16SS471J		R 630	(A,110,89)	RS1/16SS101J	
				R 631	(A,107,92)	RS1/16SS473J	
R 302	(A,82,125)	RS1/16SS471J		R 632	(A,105,91)	RS1/16SS473J	
R 303	(A,73,127)	RS1/16SS471J		R 633	(A,107,90)	RS1/16SS101J	
R 304	(A,78,126)	RS1/16SS471J					
R 305	(A,88,127)	RS1/16SS103J		R 634	(A,103,88)	RS1/16SS102J	
R 306	(A,89,129)	RS1/16SS102J		R 635	(A,102,88)	RS1/16SS102J	
				R 636	(A,100,91)	RS1/16SS473J	
R 309	(A,86,121)	RS1/16SS103J		R 637	(A,100,90)	RS1/16SS473J	
R 311	(A,86,123)	RS1/16SS473J		R 638	(A,104,92)	RS1/16SS473J	
R 312	(A,99,129)	RS1/16SS103J					
R 401	(A,161,106)	RS1/16SS221J		R 639	(A,97,91)	RS1/16SS472J	F
R 402	(A,161,100)	RS1/16SS751J		R 640	(A,98,91)	RS1/16SS472J	
				R 643	(A,99,82)	RS1/16SS104J	
				R 644	(A,98,79)	RS1/16SS101J	

**Circuit Symbol and No.****Part No.****Circuit Symbol and No.****Part No.**

R 645 (A,95,79) RS1/16SS101J  
 R 646 (A,92,75) RS1/16SS103J  
 R 647 (A,98,78) RS1/16SS101J  
 R 648 (A,95,76) RS1/16SS102J  
 R 649 (A,95,75) RS1/16SS102J  
 R 650 (A,95,74) RS1/16SS102J

R 891 (A,58,138) (B,C,D,E,F,G) RS1/16SS102J  
 R 892 (A,58,136) (B,C,D,E,F,G) RS1/16SS102J  
 R 911 (A,145,40) RS1/10SR1R0J  
 R 912 (A,141,41) RS1/10SR1R0J  
 R 941 (A,94,121) RS1/16SS223J  
 R 942 (A,94,122) RS1/16SS473J

R 651 (A,97,71) RS1/16SS473J  
 R 652 (A,98,69) RS1/16SS222J  
 R 653 (A,100,66) RS1/16SS103J  
 R 659 (A,123,61) RS1/16SS153J  
 R 660 (A,123,60) RS1/16SS153J  
 R 663 (A,102,62) (B,C,D,E,F,G) RS1/16SS473J

R 943 (A,95,125) (A,D,E,F,G) RS1/16SS472J  
 (A,95,125) (B,C) RS1/16SS473J  
 R 944 (A,98,123) RS1/4SA102J  
 R 951 (A,126,115) (B,C) RS1/16SS102J  
 R 952 (A,121,111) (B,C) RS1/16SS223J

R 664 (A,133,62) RS1/16SS103J  
 R 668 (A,93,71) RS1/16SS473J  
 R 669 (A,95,69) RS1/16SS473J  
 R 671 (A,128,70) RS1/16SS104J  
 R 681 (A,109,97) RS1/16SS473J  
 R 682 (A,110,91) RS1/16SS473J  
 R 683 (A,120,92) RS1/16SS473J

R 953 (A,125,115) (B,C) RS1/16SS153J  
 R 961 (A,127,112) RS1/16SS103J  
 R 962 (A,130,113) RS1/16SS103J  
 R 963 (A,129,112) RS1/16SS105J

**CAPACITORS**

R 684 (A,109,94) RS1/16SS473J  
 R 685 (A,120,96) RS1/16SS473J  
 R 701 (A,108,38) RS1/16SS473J  
 R 702 (A,115,37) RS1/16SS104J  
 R 703 (A,118,28) RAB4CQ472J

C 201 (A,96,115) CKSRYB105K10  
 C 202 (A,104,116) CKSRYB105K10  
 C 203 (A,92,116) CKSRYB105K10  
 C 204 (A,107,115) CKSRYB105K10  
 C 205 (A,94,116) CKSRYB105K10

R 704 (A,110,41) RS1/16SS104J  
 R 706 (A,108,36) RS1/16SS221J  
 R 707 (A,109,38) RS1/16SS221J  
 R 708 (A,110,38) RS1/16SS101J  
 R 709 (A,111,38) RS1/16SS221J

C 206 (A,107,114) CKSRYB105K10  
 C 207 (A,94,108) CKSSYB104K10  
 C 208 (A,94,106) CKSSYB104K10  
 C 209 (A,93,104) 10 uF CCG1192  
 C 210 (A,96,106) CCSSCH151J50  
 C 211 (A,109,107) CCSSCH151J50  
 C 212 (A,108,109) 10 uF CCG1192

R 710 (A,112,38) RS1/16SS101J  
 R 711 (A,114,39) RS1/16SS102J  
 R 715 (A,116,36) RS1/16SS151J  
 R 716 (A,117,36) RS1/16SS151J  
 R 717 (A,119,36) RS1/16SS151J

C 213 (A,108,106) CKSSYB104K10  
 C 214 (A,108,104) CKSSYB104K10  
 C 215 (A,108,102) CKSSYB104K10  
 C 216 (A,92,101) 10 uF CCG1192  
 C 217 (A,95,100) CKSSYB104K10

R 718 (A,122,36) RS1/16SS221J  
 R 719 (A,121,36) RS1/16SS104J  
 R 752 (A,145,135) RS1/10SR821J  
 R 753 (A,127,91) RS1/16SS473J  
 R 754 (A,127,92) RS1/16SS103J

C 218 (A,114,109) (A,B,D,G) XCEVW470M16  
 (A,114,109) (C,E,F) CEVW470M16  
 C 219 (A,112,103) 10 uF CCG1192  
 C 220 (A,106,98) 10 uF CCG1192  
 C 223 (A,91,101) CKSSYB102K50

R 801 (A,124,22) RS1/10SR222J  
 R 803 (A,121,17) RS1/16SS223J  
 R 804 (A,118,17) RS1/16SS223J  
 R 805 (A,121,19) RS1/10SR101J  
 R 806 (A,118,20) RS1/10SR101J

C 224 (A,115,103) CKSSYB104K10  
 C 229 (A,110,112) CKSSYB102K50  
 C 236 (A,110,104) CKSRYB105K10  
 C 251 (A,35,128) 4.7 uF(B,C,D,E,F,G) CCG1201  
 C 252 (A,17,127) 4.7 uF(B,C,D,E,F,G) CCG1201

R 807 (A,119,20) RS1/10SR101J  
 R 808 (A,124,20) RS1/10SR222J  
 R 809 (A,115,21) RS1/10SR220J  
 R 810 (A,114,21) RS1/10SR220J  
 R 813 (A,107,16) RS1/10SR222J

C 253 (A,17,130) (B,C,D,E,F,G) CCSSCH101J50  
 C 254 (A,10,130) (B,C,D,E,F,G) CCSSCH101J50  
 C 255 (A,35,132) 4.7 uF CCG1201  
 C 256 (A,30,130) 4.7 uF CCG1201

R 814 (A,101,19) RS1/10SR222J  
 R 815 (A,100,19) RS1/16SS822J  
 R 816 (A,96,19) RS1/10SR222J  
 R 817 (A,95,19) RS1/10SR222J  
 R 818 (A,104,13) RS1/10SR0R0J

C 257 (A,26,131) CCSSCH101J50  
 C 258 (A,20,131) CCSSCH101J50  
 C 261 (A,6,133) (A,D,E,F) CCSSCH101J50  
 (A,6,133) (B,C,G) CKSSYB102K50  
 C 301 (A,69,129) CKSRYB224K16  
 C 303 (A,80,129) CKSRYB224K16

R 851 (A,93,20) RS1/16SS472J  
 R 874 (A,147,58) RS1/10SR391J  
 R 875 (A,149,58) RS1/10SR473J  
 R 877 (A,121,27) RS1/16SS1R0J

C 305 (A,72,129) CKSRYB224K16  
 C 307 (A,77,129) CKSRYB224K16  
 C 313 (A,83,130) CKSRYB105K16  
 C 314 (A,135,126) CKSRYB104K16  
 C 317 (A,60,129) (A,B,D,G) XCEVW100M16  
 (A,60,129) (C,E,F) CEVW100M16

R 878 (A,124,26) RS1/10SR473J  
 R 879 (A,156,67) RS1/10SR122J

5		6		7		8	
<u>Circuit Symbol and No.</u>		<u>Part No.</u>		<u>Circuit Symbol and No.</u>		<u>Part No.</u>	
C 319	(A,62,136)	CCSSCH101J50		(A,13,121) (C,E,F)	CEVW221M16		
C 320	(A,64,135)	CCSSCK1R0C50	C 552	(A,13,107)	CKSRYB105K16		
C 321	(A,83,129)	CCSSCH101J50	C 553	(A,15,110)	CKSSYB103K16		
C 322	(A,104,126)	CKSRYB104K16	C 555	(A,25,112)	CKSSYB682K25		
C 323	(A,106,129)	CCSRCH100D50	C 556	(A,32,120)	CEVQW221M6R3		A
C 324	(A,102,129)	CCSRCH100D50	C 557	(A,32,116)	CKSRYB105K10		
C 325	(A,95,134)	CCSRCH100D50	C 560	(A,108,21)	CKSRYB105K10		
C 326	(A,93,138)	CCSRCH100D50	C 561	(A,102,23)	CKSRYB105K10		
C 327	(A,87,129)	CKSRYB105K16	C 564	(A,32,114) 4.7 uF	CCG1201		
C 402	(A,155,101)	CKSSYB103K16	C 565	(A,15,107) 4.7 uF	CCG1222		
C 403	(A,152,102)	CKSRYB105K10	C 601	(A,104,66)	CKSSYB104K10		
C 405	(A,162,101)	CKSSYB103K16	C 602	(A,109,65)	CKSSYB104K10		
C 406	(A,160,101)	CKSSYB103K16	C 603	(A,111,65)	CKSSYB104K10		
C 408	(A,161,105)	CKSSYB103K16	C 604	(A,112,65)	CKSSYB104K10		
C 409	(A,156,105)	CCSSCH6R0D50	C 605	(A,116,65)	CKSSYB104K10		B
C 410	(A,155,107)	CCSSCH330J50	C 606	(A,122,71)	CKSSYB104K10		
C 411	(A,148,99)	CKSSYB103K16	C 607	(A,126,73)	CCSSCH120J50		
C 412	(A,148,101)	CKSSYB104K10	C 608	(A,126,78)	CCSSCH120J50		
C 413	(A,150,101)	CKSSYB104K10	C 609	(A,121,73)	CKSSYB104K10		
C 414	(A,145,100)	CKSSYB103K16	C 610	(A,121,75)	CKSSYB104K10		
C 415	(A,144,101) 10 uF	CCG1192	C 611	(A,122,77)	CKSSYB104K10		
C 416	(A,147,100)	CKSSYB104K10	C 612	(A,122,82)	CKSSYB104K10		
C 418	(A,142,101)	CKSSYB223K16	C 613	(A,123,82)	CKSSYB104K10		
C 419	(A,146,110) (D,E,F,G)	CCSSCH150J50	C 620	(A,114,88)	CKSSYB104K10		
C 420	(A,150,106) (B,C,D,E,F,G)	CKSSYB103K16	C 621	(A,108,88)	CKSSYB104K10		
C 421	(A,154,111) (A)	CCSSCJ3R0C50	C 622	(A,105,93)	CCSSCH220J50		C
C 423	(A,144,106) (D,E,F,G)	CCSSCH8R0D50	C 623	(A,106,88)	CKSSYB104K10		
C 424	(A,140,101)	CKSSYB103K16	C 624	(A,105,88)	CKSSYB104K10		
C 425	(A,138,99) 10 uF	CCG1192	C 625	(A,104,90)	CKSSYB104K10		
C 426	(A,139,97)	CKSSYB104K10	C 626	(A,100,80)	CKSSYB104K10		
C 427	(A,144,97)	CKSSYB104K10	C 627	(A,97,81)	CCSSCH220J50		
C 428	(A,137,96) (A,B,C)	CCSSCH101J50	C 628	(A,95,81)	CCSSCH220J50		
	(A,137,96) (D,E,F,G)	CCSSCH220J50	C 629	(A,99,75)	CKSSYB104K10		
C 429	(A,136,96)	CKSSYB103K16	C 630	(A,99,73)	CKSSYB104K10		
C 430	(A,139,90) 1 uF(A)	DCH1246	C 631	(A,96,77)	CCSSCH220J50		
C 432	(A,138,92) (A,B,C)	CCSSCH820J50	C 672	(A,132,71)	CKSRYB105K10		D
	(A,138,92) (D,E,F,G)	CCSSCK2R0C50	C 681	(A,121,96)	CKSSYB104K10		
C 433	(A,136,91) 1 uF(A)	DCH1246	C 683	(A,120,94)	CCSSCJ3R0C50		
C 435	(A,139,86)	CKSRYB474K10	C 701	(A,111,41)	CKSSYB103K16		
C 436	(A,140,84) (D,E,F,G)	CKSSYB104K10	C 704	(A,120,39)	CCSSCH100D50		
C 439	(A,145,80) (D,E,F,G)	CKSRYB104K16	C 705	(A,118,38)	CCSSCH100D50		
C 440	(A,142,86)	CKSSYB102K50	C 706	(A,116,38)	CCSSCH100D50		
C 441	(A,137,89) (A)	CCSSCH100D50	C 752	(A,141,135)	CKSSYB104K10		
C 442	(A,146,83)	CKSSYB104K10	C 753	(A,147,131) 10 uF	CCG1192		
			C 801	(A,124,6)	CKSRYB221K50		
C 444	(A,152,82) 2.2 uF	CCG1218	C 806	(A,125,8)	CKSRYB104K16		
C 445	(A,156,82)	CKSSYB104K10	C 807	(A,122,14)	CKSRYB105K10		E
C 447	(A,157,83) 2.2 uF(D,E,F,G)	CCG1218	C 808	(A,108,19)	CKSRYB104K16		
C 448	(A,158,85) (A,B,C)	CKSSYB104K10	C 809	(A,96,16)	CCSRCH221J50		
			C 810	(A,96,13)	CCSRCH221J50		
C 449	(A,161,85)	CCSSCH9R0D50	C 811	(A,104,20)	CKSSYB104K10		
C 450	(A,161,90)	CCSSCH9R0D50	C 871	(A,153,62)	CKSSYB104K16		
C 451	(A,158,91)	CKSSYB104K10	C 873	(A,124,24)	CKSRYB104K16		
C 452	(A,158,94)	CKSRYB105K10	C 891	(A,52,138) (B,C,D,E,F,G)	CKSRYB104K16		
C 453	(A,160,96)	CKSSYB104K10	C 892	(A,34,139) (B,C,D,E,F,G)	CKSRYB104K16		
C 455	(A,158,97)	CKSRYB224K16	C 901	(A,133,124) 2 200 uF/16 V	CCH2040		
C 456	(A,161,92)	CKSSYB472K25	C 912	(A,152,40)	CKSSYB102K50		
C 457	(A,161,93)	CKSSYB472K25					
C 461	(A,145,104)	CKSSYB104K16					
C 531	(A,91,93)	CKSSYB104K10	C 913	(A,131,43)	CKSSYB102K50		F
C 532	(A,93,93)	CKSSYB104K10	C 914	(A,156,56) 1 000 uF/16 V	CCH2024		
			C 915	(A,132,42)	CKSRYB104K16		
C 551	(A,13,121) (A,B,D,G)	XCEVW221M16	C 916	(A,146,43) 4.7 uF	CCG1201		

**Circuit Symbol and No.****Part No.****Circuit Symbol and No.****Part No.**

C 917 (A,145,46) CKSSYB102K50

C 919 (A,151,42) 4.7 uF CCG1201  
 C 921 (A,135,42) 4.7 uF CCG1201  
 C 923 (A,159,41) 4.7 uF CCG1201  
 C 926 (A,140,44) 4.7 uF CCG1201  
 C 927 (A,139,42) CKSSYB102K50

C 941 (A,96,124) CKSRYB104K16  
 C 961 (A,126,107) CKSSYB104K16  
 C 962 (A,132,107) CKSSYB104K16  
 C 966 (A,128,112) CKSSYB333K16  
 C 969 (A,135,113) 22 uF DCH1256

**B****Unit Number :****Unit Name : Keyboard Unit****MISCELLANEOUS**

IC 1801 (B,85,23) IC PD6583A8  
 IC 1941 (A,157,39) Remote IC(A,D,E,F,G) GP1UXC14RK  
 D 1951 (A,65,22) White LED(A,B,D,G) SWBA05(FI231718)  
 (A,65,22) White LED(C,E,F) CSL0401WBHCW1(A)  
 D 1967 (A,17,31) LED(Red) (A,B,D,G) SML-D12V8W(PQ)  
 (A,17,31) Red LED(C,E,F) FC-1608SXX630D08

D 1968 (A,54,31) LED(Red) (A,B,D,G) SML-D12V8W(PQ)  
 (A,54,31) Red LED(C,E,F) FC-1608SXX630D08  
 D 1969 (A,58,20) LED(Red) (A,B,D,G) SML-D12V8W(PQ)  
 (A,58,20) Red LED(C,E,F) FC-1608SXX630D08  
 D 1970 (A,6,36) LED(Red) (A,B,D,G) SML-D12V8W(PQ)  
 (A,6,36) Red LED(C,E,F) FC-1608SXX630D08

D 1971 (A,17,10) LED(Red) (A,B,D,G) SML-D12V8W(PQ)  
 (A,17,10) Red LED(C,E,F) FC-1608SXX630D08  
 D 1972 (A,53,8) LED(Red) (A,B,D,G) SML-D12V8W(PQ)  
 (A,53,8) Red LED(C,E,F) FC-1608SXX630D08  
 D 1973 (A,80,6) LED(Red) (A,B,D,G) SML-D12V8W(PQ)  
 (A,80,6) Red LED(C,E,F) FC-1608SXX630D08

D 1974 (A,69,6) LED(Red) (A,B,D,G) SML-D12V8W(PQ)  
 (A,69,6) Red LED(C,E,F) FC-1608SXX630D08  
 D 1975 (A,92,6) LED(Red) (A,B,D,G) SML-D12V8W(PQ)  
 (A,92,6) Red LED(C,E,F) FC-1608SXX630D08  
 D 1976 (A,102,6) LED(Red) (A,B,D,G) SML-D12V8W(PQ)  
 (A,102,6) Red LED(C,E,F) FC-1608SXX630D08

D 1977 (A,113,6) LED(Red) (A,B,D,G) SML-D12V8W(PQ)  
 (A,113,6) Red LED(C,E,F) FC-1608SXX630D08  
 D 1978 (A,124,6) LED(Red) (A,B,D,G) SML-D12V8W(PQ)  
 (A,124,6) Red LED(C,E,F) FC-1608SXX630D08  
 D 1979 (A,135,6) LED(Red) (A,B,D,G) SML-D12V8W(PQ)  
 (A,135,6) Red LED(C,E,F) FC-1608SXX630D08

D 1980 (A,145,6) LED(Red) (A,B,D,G) SML-D12V8W(PQ)  
 (A,145,6) Red LED(C,E,F) FC-1608SXX630D08  
 D 1981 (A,12,22) LED(Red) (A,B,D,G) SML-D12V8W(PQ)  
 (A,12,22) Red LED(C,E,F) FC-1608SXX630D08  
 L 1802 (B,133,7) Inductor CTF1389  
 L 1803 (B,130,8) Inductor CTF1389

L 1804 (B,139,6) Inductor CTF1389  
 X 1801 (B,70,25) Ceramic Resonator 5.00 MHz CSS1547  
 S 1830 (A,37,20)Encoder(MULTI-CONTROL) CSD1168  
 CN1911 (A,156,25) Connector CKS6443  
 CN1931 (B,109,10) Connector CKS6451

JA1921 (A,155,9) Jack CKN1094  
 V 1801 (A,142,32) Segment LCD CAW2024

**RESISTORS**

R 1801 (B,82,13) RS1/10SR473J  
 R 1802 (B,73,20) RS1/10SR473J  
 R 1803 (B,75,24) RS1/10SR222J  
 R 1804 (B,75,22) RS1/10SR0R0J  
 R 1805 (B,58,29) RS1/10SR473J

R 1806 (B,60,30) RS1/10SR473J  
 R 1807 (B,60,31) RS1/10SR473J  
 R 1808 (B,58,32) RS1/10SR473J  
 R 1823 (B,50,23) RS1/10SR273J  
 R 1931 (B,43,11) RS1/10SR222J

R 1932 (B,45,11) RS1/10SR222J  
 R 1941 (B,128,25) (B,C) RS1/10SR473J  
 R 1944 (B,133,27) (A,D,E,F,G) RS1/10SR101J  
 R 1951 (B,56,16) RS1/4SA221J  
 R 1952 (B,56,18) RS1/4SA221J

R 1971 (B,11,32) (A,B,D,G) RS1/4SA681J  
 (B,11,32) (C,E,F) RS1/4SA152J  
 R 1973 (B,52,16) (A,B,D,G) RS1/4SA102J  
 (B,52,16) (C,E,F) RS1/4SA152J  
 R 1976 (B,16,13) (A,B,D,G) RS1/4SA681J  
 (B,16,13) (C,E,F) RS1/4SA122J

R 1978 (B,24,10) (A,B,D,G) RS1/4SA821J  
 R 1979 (B,28,11) (C,E,F) RS1/10SR182J  
 R 1980 (B,56,13) (A,B,D,G) RS1/4SA102J  
 R 1981 (B,51,14) (C,E,F) RS1/10SR182J  
 R 1982 (B,143,19) (A,B,D,G) RS1/4SA102J  
 R 1983 (B,140,19) (C,E,F) RS1/10SR222J

R 1989 (B,54,9) RS1/10SR0R0J  
 R 1990 (B,19,22) (A,B,D,G) RS1/4SA821J  
 (B,19,22) (C,E,F) RS1/4SA182J  
 R 1993 (B,14,18) RS1/10SR0R0J

**CAPACITORS**

C 1806 (B,66,23) CKSRYB104K16  
 C 1807 (B,71,20) CKSRYB105K10  
 C 1911 (B,148,21) CKSRYB104K16  
 C 1912 (B,144,23) CKSRYB104K16  
 C 1941 (B,137,30) 10 uF(A,D,E,F,G) CCG1192

**C****Unit Number : CWX4023****Unit Name : CD Core Unit (S11.6STD)****MISCELLANEOUS**

IC 201 (B,23,37) IC PE5791A  
 IC 301 (A,37,11) IC BD8223EFV  
 Q 101 (B,11,53) Transistor 2SA1577  
 Q 102 (B,15,54) Transistor LTA123JUB  
 X 201 (B,25,49) Ceramic Resonator 16.934 MHz CSS1603

S 901 (A,42,53) Spring Switch(HOME) CSN1080  
 S 903 (B,21,12) Spring Switch(DSCSNS) CSN1081  
 CN101 (A,16,58) Connector CKS4808  
 CN701 (A,25,29) Connector CKS6146

**RESISTORS**

R 101 (B,6,57) RS1/10SR2R4J  
 R 102 (B,8,57) RS1/10SR2R4J

5		6		7		8	
<u>Circuit Symbol and No.</u>		<u>Part No.</u>		<u>Circuit Symbol and No.</u>		<u>Part No.</u>	
R 103	(B,9,57)	RS1/10SR2R7J		C 220	(A,18,38)	CKSSYB104K10	
R 108	(B,18,55)	RS1/16SS105J		C 221	(B,14,32)	CKSSYB104K10	
R 109	(B,12,50)	RS1/16SS222J					
R 201	(A,24,11)	RS1/16SS0R0J		C 222	(B,13,37)	CKSSYB104K10	A
R 202	(A,23,9)	RS1/16SS0R0J		C 223	(B,12,42)	CCSSCH680J50	
R 214	(B,18,28)	RS1/16SS103J		C 224	(B,13,45)	CCSSCH470J50	
R 215	(B,17,28)	RS1/16SS393J		C 225	(B,13,46)	CKSSYB103K16	
R 216	(B,12,35)	RS1/16SS122J		C 228	(B,10,33)	CCSSCH270J50	
R 217	(B,10,32)	RS1/16SS562J		C 229	(B,9,40)	CKSSYB104K10	
R 218	(B,10,35)	RS1/16SS472J		C 233	(B,32,46)	CKSSYB103K16	
R 229	(B,12,34)	RS1/16SS471J		C 236	(B,8,40)	CKSSYB104K10	
R 232	(A,31,54)	RS1/16SS0R0J		C 238	(A,25,44)	CKSRYB104K16	
R 237	(B,33,45)	RS1/16SS221J		C 299	(A,26,41)	CKSSYB104K10	
R 240	(B,34,40)	RS1/16SS473J		C 302	(B,28,12)	CKSSYB102K50	
R 245	(A,34,46)	RS1/16SS104J		C 303	(B,29,12)	CKSSYB102K50	B
R 254	(A,37,56)	RS1/16SS104J		C 304	(B,27,12)	CKSSYB223K16	
R 260	(B,30,27)	RS1/16SS103J		C 305	(B,26,12)	CKSSYB104K10	
R 264	(A,22,9)	RS1/16SS102J		C 306	(A,31,7)	CKSSYB104K10	
R 281	(B,33,38)	RS1/16SS560J		C 307	(A,41,19)	CKSRYB105K10	
R 282	(B,33,39)	RS1/16SS560J		C 308	(A,31,15)	CKSRYB105K10	
R 283	(B,35,38)	RS1/16SS0R0J		C 710	(A,34,42)	CKSSYB102K50	
R 291	(B,33,34)	RS1/16SS560J					
R 292	(B,33,36)	RS1/16SS0R0J					
R 293	(B,35,39)	RS1/16SS0R0J					
R 294	(B,27,48)	RS1/16SS471J		M 1	Motor Unit(SPDL)	CXE2273	C
R 296	(B,34,43)	RS1/16SS0R0J		M 2	Motor Unit(LOAD/CRG)	CXC4026	
R 301	(A,27,9)	RS1/16SS0R0J					
R 302	(A,28,9)	RS1/16SS0R0J					
R 303	(A,27,11)	RS1/16SS123J					
R 304	(A,28,11)	RS1/16SS123J					
R 305	(A,26,9)	RS1/16SS102J					
R 306	(A,26,11)	RS1/16SS472J					
R 307	(A,25,9)	RS1/16SS102J					
R 308	(A,25,11)	RS1/16SS472J					
R 309	(A,35,6)	RS1/16SS473J					
R 310	(B,30,9)	RS1/16SS472J					D
R 311	(B,30,10)	RS1/16SS472J					
R 312	(B,30,11)	RS1/16SS472J					
R 313	(B,30,12)	RS1/16SS472J					
R 701	(A,21,38)	RS1/16SS101J					
R 702	(A,23,38)	RS1/16SS101J					
R 706	(A,32,42)	RS1/16SS221J					
R 708	(B,28,26)	RS1/16SS0R0J					
R 709	(B,29,28)	RS1/16SS0R0J					

### Miscellaneous Parts List

	Pickup Unit(P10.6)(Service)	CXX3556
M 1	Motor Unit(SPDL)	CXE2273
M 2	Motor Unit(LOAD/CRG)	CXC4026

### CAPACITORS

C 104	(B,12,57)	CKSQYB475K6R3
C 203	(B,22,47)	CKSSYB104K10
C 209	(B,28,47)	CKSRYB104K16
C 210	(B,33,43)	CKSSYB104K10
C 211	(B,33,41)	CKSSYB104K10
C 212	(B,22,28)	CKSSYB104K10
C 213	(B,18,26)	CKSSYB332K50
C 214	(B,17,26)	CKSSYB473K16
C 215	(B,19,28)	CKSSYB104K10
C 216	(B,12,33)	CKSSYB182K50
C 217	(B,10,34)	CCSSCH560J50
C 218	(B,10,36)	CCSSCH4R0C50
C 219	(B,14,34)	CKSSYB104K10