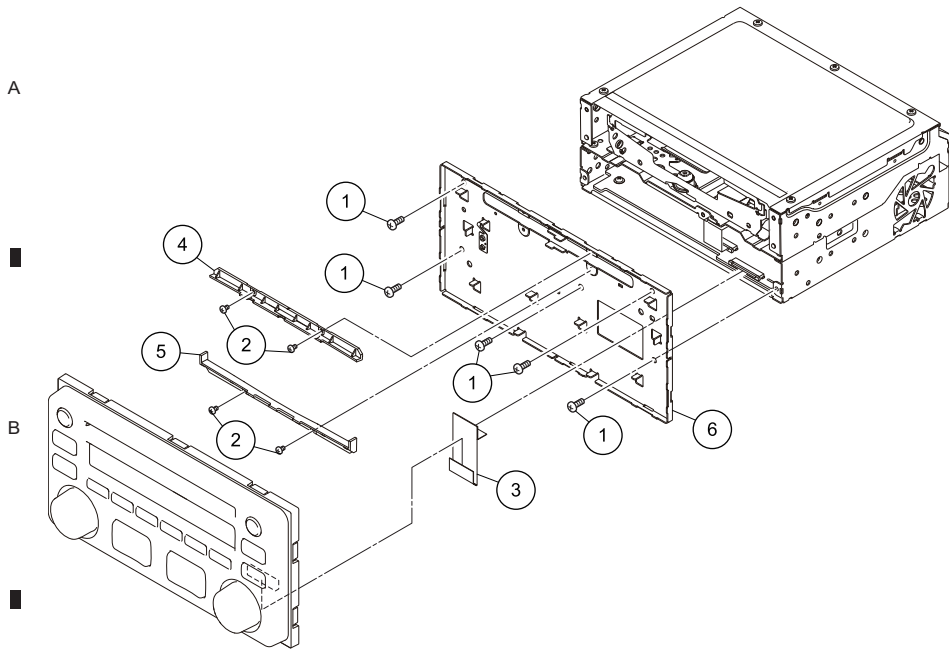


2. EXTERIOR (1) (Page 48)



EXTERIOR (1) SECTION PARTS LIST

<u>Mark No.</u>	<u>Description</u>	<u>Part No.</u>
1	Screw	BSZ26P050FTC
2	Screw(M2 x 3)	CBA1677
3	FFC	CDE9466
4	Holder	CNW2183
5	Holder	CNW2184
6	Frame Unit	CXE4233

3. EXTERIOR (2) (Page 50)

A

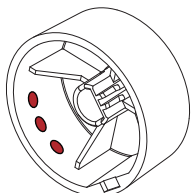
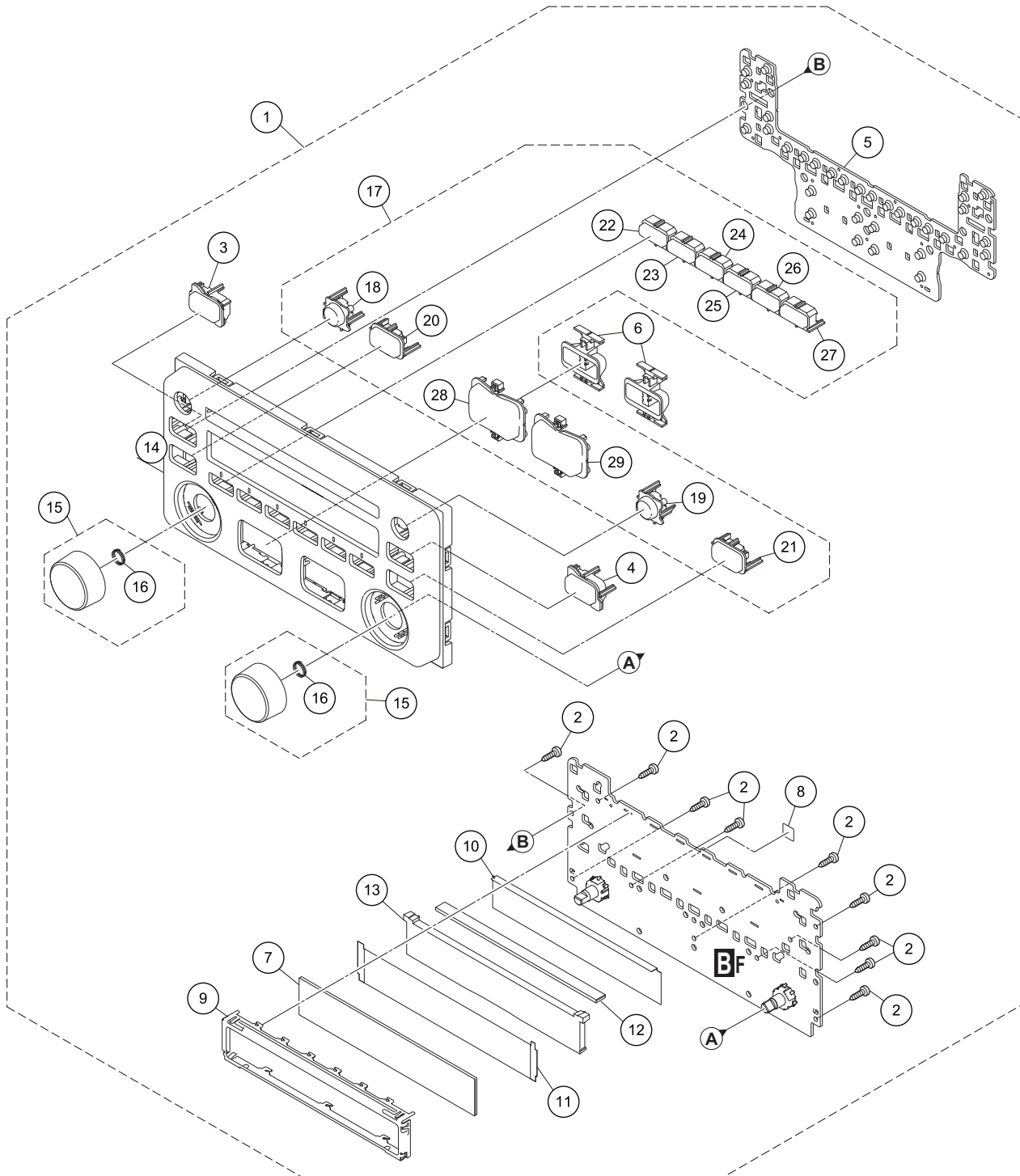
B

C

D

E

F



Please exchange "Knob Unit" when detaching it three times.

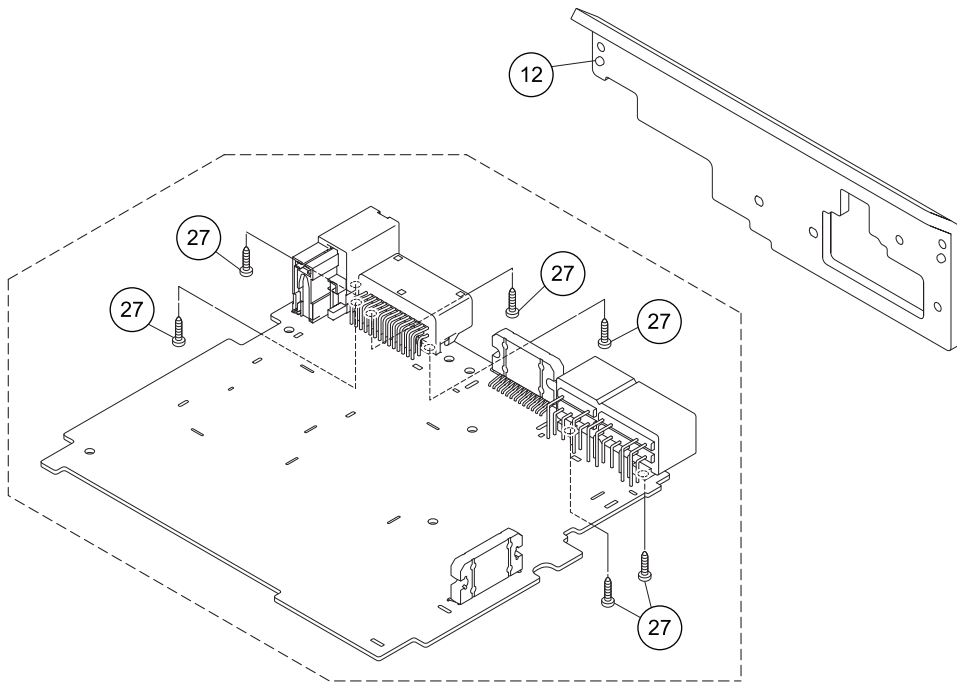
The count of detaching history mark the back of "Knob Unit" as shown in the figure.

Note) The mark don't protrude from the side of Knob Unit.

EXTERIOR (2) SECTION PARTS LIST

<u>Mark No.</u>	<u>Description</u>	<u>Part No.</u>	
1	Panel Assy	CPN4046	
2	Screw	BPZ20P100FTC	A
3	Button(MEDIA)	CAI3440	
4	Button(RADIO)	CAI3441	
5	Contact Rubber	CNW2188	
6	Holder	CNW2189	
7	Segment LCD(V2001)	CAW2006	
8	Sub Label Unit	CEC6362	
9	Holder	CND6090	
10	Reflection Sheet	CNN3644	
11	Light-D Sheet	CNN3829	B
12	Connector	CNW1500	
13	Lighting Conductor	CNW2154	
14	Grille Unit	CXE4235	
15	Knob Unit	CXE4236	
16	Spring	YBL5010	
* 17	Service Button Unit	CXX3513	
18	Service Button(EJECT)	CXX3514	
19	Service Button(MENU)	CXX3515	
20	Service Button(SCAN)	CXX3516	C
21	Service Button(TEXT)	CXX3517	
22	Service Button(1)	CXX3518	
23	Service Button(2)	CXX3519	
24	Service Button(3)	CXX3520	
25	Service Button(4)	CXX3521	
26	Service Button(5)	CXX3522	
27	Service Button(6)	CXX3523	
28	Service Button(SEEK TRACK)	CXX3524	
29	Service Button(FOLDER)	CXX3525	D
			E
			F

4. EXTERIOR (3) (Page 52)



EXTERIOR (3) SECTION PARTS LIST

Mark	No.	Description	DEH-8118ZT/XUUC	DEH-9018ZT/XUUC
	12	Heat Sink	CND5720	CND5889
	14	Mother Unit	CWN5178	CWN5839
	27	Screw	PPZ30P060FSN (x8)	PPZ30P060FSN (x6)

ELECTRICAL PARTS LIST(Page 93)

MOTHER UNIT

Circuit Symbol and No.	Part Name	DEH-8118ZT/XUUC	DEH-9018ZT/XUUC
Q108	Transistor	ISA1602AM1	Not used
Q802	Transistor	LTA144EUB	Not used
Q804	Transistor	2SC4154-11	Not used
D803	Diode	1SS352	Not used
JA801	Connector	CKM1466	Not used
R123		RS1/10SR242J	RS1/10SR102J
R124		RS1/10SR242J	RS1/10SR102J
R125		RS1/10SR242J	RS1/10SR102J
R126		RS1/10SR242J	RS1/10SR102J
R147		RS1/10SR472J	Not used
R154		RS1/10SR103J	Not used
R809		RS1/16SS511J	Not used
R810		RS1/16SS392J	Not used
R812		RS1/10SR103J	Not used
R813		RS1/10SR103J	Not used
R814		RS1/10SR103J	Not used
R815		RS1/10SR103J	Not used
R816		RS1/10SR183J	Not used
R817		RS1/10SR183J	Not used
R818		RS1/10SR183J	Not used
R819		RS1/10SR183J	Not used
R834		RS1/8SQ102J	Not used
R835		RS1/10SR0R0J	Not used
R955		CCN1308	RS1/8SQ103J
C125		CCG1314	CKSQYB224K50
C126		CCG1314	CKSQYB224K50
C127		CCG1314	CKSQYB224K50
C128		CCG1314	CKSQYB224K50
C130		CCG1305	CKSYB105K35
C131		CCG1305	CKSYB105K35
C603		CKSRYB105K16	Not used
C604		CKSRYB105K16	Not used
C605		CKSRYB105K16	Not used
C606		CKSRYB105K16	Not used
C814		CKSQYB102K50	Not used
C817		CKSQYB102K50	Not used
C819		CKSQYB102K50	Not used
C822		CKSQYB102K50	Not used
C829		CKSQYB473K50	Not used
C838		CKSQYB102K50	Not used
C981	Capacitor	CCH2002(P35)	CEHAT471M16(P35)
C1617		CCSSCH220J50	Not used

ELECTRICAL PARTS LIST

NOTE:

- Parts whose parts numbers are omitted are subject to being not supplied.
- The part numbers shown below indicate chip components.

Chip Resistor

RS1/○S○○○○J,RS1/○○S○○○○J

Chip Capacitor (except for CQS.....)

CKS....., CCS....., CSZS.....

- The \triangle mark found on some component parts indicates the importance of the safety factor of the part. Therefore, when replacing, be sure to use parts of identical designation.
- Meaning of the figures and others in the parentheses in the parts list.

Example) IC 301 is on the point (face A, 91 of x-axis, and 111 of y-axis) of the corresponding PC board.

IC 301 (A, 91, 111) IC NJM2068V

	<u>Circuit Symbol and No.</u>	<u>Part No.</u>	<u>Circuit Symbol and No.</u>	<u>Part No.</u>
B Unit Number : CWN5841 Unit Name : Keyboard Unit	D 2111	(A,178,69) LED	SML-311DT(JK)	
	D 2112	(A,187,69) LED	SML-311DT(JK)	
	D 2114	(A,12,69) LED	SML-311DT(JK)	
	D 2115	(A,21,69) LED	SML-311DT(JK)	
	D 2116	(A,183,50) LED	SML-311DT(JK)	
	D 2117	(A,17,50) LED	SML-311DT(JK)	
	D 2118	(A,164,29) LED	SML-311DT(JK)	
	D 2120	(A,178,15) LED	SML-311DT(JK)	
	D 2122	(A,35,29) LED	SML-311DT(JK)	
	D 2124	(A,21,15) LED	SML-311DT(JK)	
D 2126	(A,169,94) LED	SML-311DT(JK)		
D 2127	(A,30,94) LED	SML-311DT(JK)		
D 2128	(A,17,88) LED	SML-311DT(JK)		
D 2129	(A,183,88) LED	SML-311DT(JK)		
L 2001	(B,139,59) Inductor	CTF1786		
L 2002	(B,131,12) Inductor	CTF1786		
X 2001	(B,105,24) Oscillator 20.000 MHz	CSS1747		
S 2031	(A,28,22) Encoder (PWR)	CSD1168		
S 2040	(A,171,22) Encoder (TUNE)	CSD1168		
CN2001	(B,154,13) Connector	CKS6238		
CN2002	(B,21,8) Connector	CKS5561		
V 2001	(A,42,80) Segment LCD	CAW2006		
<u>MISCELLANEOUS</u>				
IC 2001	(B,119,65) IC	BU6886KVT		
IC 2002	(B,119,23) IC	PE5793A8		
Q 2024	(B,64,15) Transistor	2SB1132		
Q 2025	(B,70,15) Transistor	LSC4081UB		
Q 2028	(B,46,47) Transistor	2SB1198K		
Q 2031	(B,83,14) Transistor	ISA1602AM1		
Q 2032	(B,52,50) Transistor	LSC4081UB		
D 2005	(B,136,54) Diode	RB751V-40		
D 2010	(B,136,52) Diode	1SS352		
D 2011	(B,140,50) Diode	HZU7R5(B3)		
D 2078	(A,168,71) LED	SML-A12DT(ST)		
D 2079	(A,168,76) LED	SML-A12DT(ST)		
D 2081	(A,168,60) LED	SML-A12DT(ST)		
D 2082	(A,168,66) LED	SML-A12DT(ST)		
D 2083	(A,31,60) LED	SML-A12DT(ST)		
D 2084	(A,31,66) LED	SML-A12DT(ST)		
D 2086	(A,31,71) LED	SML-A12DT(ST)		
D 2087	(A,31,76) LED	SML-A12DT(ST)		
D 2095	(B,85,23) Diode	1SS352		
D 2096	(B,85,25) Diode	1SS352		
D 2097	(B,85,28) Diode	1SS352		
D 2098	(B,85,30) Diode	1SS352		
D 2099	(B,85,33) Diode	1SS352		
D 2100	(A,153,48) LED	SML-311DT(JK)		
D 2101	(A,132,48) LED	SML-311DT(JK)		
D 2102	(A,110,48) LED	SML-311DT(JK)		
D 2103	(A,89,48) LED	SML-311DT(JK)		
D 2104	(A,67,48) LED	SML-311DT(JK)		
D 2105	(A,46,48) LED	SML-311DT(JK)		
D 2106	(A,131,22) LED	SML-311DT(JK)		
D 2107	(A,117,22) LED	SML-311DT(JK)		
D 2108	(A,83,22) LED	SML-311DT(JK)		
D 2109	(A,69,22) LED	SML-311DT(JK)		
<u>RESISTORS</u>				
R 2011	(B,109,57)	RS1/10SR184J		
R 2012	(B,112,55)	RS1/10SR681J		
R 2013	(B,112,52)	RS1/10SR221J		
R 2014	(B,112,50)	RS1/10SR681J		
R 2016	(B,93,59)	RS1/10SR681J		
R 2022	(B,93,58)	RS1/10SR473J		
R 2028	(B,136,45)	RS1/10SR681J		
R 2029	(B,131,52)	RS1/10SR182J		
R 2030	(B,129,52)	RS1/10SR182J		
R 2031	(B,126,52)	RS1/10SR182J		
R 2032	(B,126,54)	RS1/10SR182J		
R 2038	(B,139,47)	RS1/10SR821J		
R 2051	(B,64,20)	RS1/10SR331J		
R 2052	(B,64,23)	RS1/10SR221J		
R 2059	(B,21,82)	RS1/10SR100J		
R 2060	(B,12,75)	RS1/10SR100J		
R 2064	(B,61,23)	RS1/10SR301J		

5		6		7		8	
<u>Circuit Symbol and No.</u>		<u>Part No.</u>		<u>Circuit Symbol and No.</u>		<u>Part No.</u>	
R 2065	(B,61,20)	RS1/10SR681J		R 2168	(B,118,12)	RS1/10SR473J	
R 2066	(B,73,27)	RS1/10SR152J		R 2170	(B,122,9)	RS1/10SR102J	
R 2067	(B,73,30)	RS1/10SR301J		R 2171	(B,123,12)	RS1/10SR102J	
R 2075	(B,58,20)	RS1/10SR392J		R 2172	(B,42,51)	RS1/8SQ222J	A
R 2076	(B,58,23)	RS1/10SR561J		R 2173	(B,45,51)	RS1/8SQ222J	
R 2083	(B,62,20)	RS1/10SR102J		R 2174	(B,48,50)	RS1/10SR222J	
R 2084	(B,62,23)	RS1/10SR221J		R 2175	(B,49,47)	RS1/10SR103J	
R 2086	(B,38,11)	RS1/10SR100J		R 2178	(B,42,55)	RS1/8SQ151J	
R 2087	(B,67,29)	RS1/10SR102J		R 2179	(B,37,51)	RS1/8SQ222J	
R 2088	(B,67,32)	RS1/10SR122J		R 2180	(B,40,51)	RS1/8SQ222J	
R 2089	(B,27,37)	RS1/10SR100J		R 2181	(B,37,55)	RS1/8SQ151J	
R 2091	(B,70,29)	RS1/10SR102J		R 2182	(B,59,20)	RS1/10SR272J	
R 2092	(B,70,32)	RS1/10SR122J		R 2183	(B,59,23)	RS1/10SR271J	
R 2095	(B,71,27)	RS1/10SR102J		R 2185	(B,40,55)	RS1/8SQ151J	B
R 2099	(B,183,8)	RS1/10SR100J		R 2186	(B,45,55)	RS1/8SQ151J	
R 2100	(B,68,14)	RS1/10SR473J		R 2187	(B,130,47)	RS1/10SR473J	
R 2102	(B,175,36)	RS1/10SR100J		R 2188	(B,110,13)	RS1/16SS473J	
R 2104	(B,68,17)	RS1/10SR332J		R 2189	(B,104,16)	RS1/16SS473J	
R 2107	(B,73,15)	RS1/10SR473J		R 2194	(B,82,13)	RS1/10SR222J	
R 2110	(B,74,20)	RS1/10SR103J		R 2196	(B,82,16)	RS1/10SR392J	
R 2121	(B,71,30)	RS1/10SR122J		R 2197	(B,79,16)	RS1/10SR822J	
R 2122	(B,53,25)	RS1/10SR472J		R 2198	(B,85,10)	RS1/10SR103J	
R 2123	(B,53,28)	RS1/10SR471J		R 2199	(B,83,11)	RS1/10SR103J	
R 2125	(B,50,21)	RS1/10SR331J		R 2201	(B,54,50)	RS1/10SR223J	
R 2126	(B,47,21)	RS1/10SR221J		R 2202	(B,123,34)	RS1/10SR473J	C
R 2128	(B,87,20)	RS1/10SR473J		R 2207	(B,68,29)	RS1/10SR182J	
R 2129	(B,87,19)	RS1/10SR473J		R 2209	(B,109,17)	RS1/10SR473J	
R 2130	(B,87,15)	RS1/10SR473J		R 2211	(B,113,15)	RS1/10SR102J	
R 2131	(B,135,24)	RS1/10SR332J		R 2212	(B,130,46)	RS1/10SR102J	
R 2132	(B,135,26)	RS1/10SR332J		R 2216	(B,57,50)	RS1/10SR103J	
R 2133	(B,135,30)	RS1/10SR332J		R 2217	(B,68,32)	RS1/10SR271J	
R 2134	(B,135,31)	RS1/10SR332J		R 2228	(B,173,81)	RS1/10SR100J	
R 2135	(B,87,14)	RS1/10SR473J		R 2229	(B,171,80)	RS1/10SR100J	
R 2136	(B,95,14)	RS1/10SR102J		R 2231	(B,107,13)	RS1/10SR101J	
R 2137	(B,95,17)	RS1/10SR102J		R 2232	(B,111,14)	RS1/10SR104J	
R 2138	(B,93,19)	RS1/10SR102J		R 2233	(B,99,9)	RS1/10SR100J	D
R 2139	(B,93,20)	RS1/10SR102J		R 2234	(B,106,9)	RS1/10SR100J	
R 2140	(B,90,23)	RS1/10SR102J		R 2238	(B,128,12)	RS1/10SR473J	
R 2141	(B,90,25)	RS1/10SR102J		R 2240	(B,54,20)	RS1/10SR392J	
R 2142	(B,90,28)	RS1/10SR102J		R 2241	(B,54,23)	RS1/10SR561J	
R 2143	(B,90,30)	RS1/10SR102J					
R 2144	(B,90,32)	RS1/10SR102J					
R 2145	(B,121,32)	RS1/10SR102J					
R 2148	(B,128,31)	RS1/10SR102J					
R 2149	(B,128,30)	RS1/10SR102J					
R 2150	(B,129,27)	RS1/10SR102J					
R 2151	(B,128,24)	RS1/10SR102J					
R 2153	(B,135,20)	RS1/10SR473J					
R 2154	(B,128,23)	RS1/10SR102J					
R 2155	(B,108,23)	RS1/10SR0R0J					
R 2156	(B,128,22)	RS1/10SR102J					
R 2157	(B,132,20)	RS1/10SR102J					
R 2159	(B,129,20)	RS1/10SR102J					
R 2160	(B,111,17)	RS1/10SR101J					
R 2161	(B,103,12)	RS1/10SR102J					
R 2162	(B,107,10)	RS1/10SR101J					
R 2164	(B,115,14)	RS1/10SR102J					
R 2165	(B,116,14)	RS1/10SR102J					
R 2166	(B,120,12)	RS1/10SR102J					
R 2167	(B,119,12)	RS1/10SR473J					
				<u>CAPACITORS</u>			
				C 2001	(B,132,54)	CKSRYB103K50	
				C 2002	(B,116,52)	CKSRYB103K50	
				C 2003	(B,116,50)	CKSRYB474K10	
				C 2004	(B,93,56)	CCSRCH101J50	
				C 2005	(B,133,47)	CCSRCH101J50	E
				C 2006	(B,134,47)	CKSRYB103K50	
				C 2007	(B,109,50)	CCSRCH101J50	
				C 2008	(B,108,52)	CCSRCH101J50	
				C 2009	(B,109,56)	CCSRCH101J50	
				C 2010	(B,125,54)	CKSRYB104K50	
				C 2011	(B,128,54)	CKSRYB104K50	
				C 2012	(B,130,54)	CKSRYB104K50	
				C 2013	(B,138,56)	CKSRYB102K50	
				C 2014	(B,138,57)	CKSRYB105K10	
				C 2015	(B,139,48)	CKSRYB104K50	F
				C 2021	(B,74,17)	CKSRYB223K50	
				C 2025	(B,132,31)	CCSRCH102J50	

Circuit Symbol and No.**Part No.**

	C 2026	(B,132,30)	CCSRCH102J50
	C 2027	(B,132,26)	CCSRCH102J50
	C 2028	(B,112,30)	CKSRYP103K50
A	C 2029	(B,132,24)	CCSRCH102J50
	C 2030	(B,112,29)	CKSRYP103K50
	C 2031	(B,107,28)	CKSQYB105K16
	C 2032	(B,103,14)	CKSRYP103K50
	C 2033	(B,126,18)	CKSRYP103K50
	C 2034	(B,115,12)	CKSRYP103K50
	C 2035	(B,119,10)	CCSRCH102J50
	C 2036	(B,118,10)	CCSRCH102J50
	C 2037	(B,131,13)	CKSRYP104K50
	C 2038	(B,56,50)	CKSRYP472K50
B	C 2042	(B,83,9)	CKSRYP102K50
	C 2043	(B,79,13)	CKSRYP105K10
	C 2044	(B,80,13)	CKSRYP105K10
	C 2065	(B,178,8)	CKSRYP103K50
	C 2066	(B,93,14)	CKSSYP102K50
	C 2067	(B,93,15)	CKSSYP102K50
	C 2068	(B,91,19)	CKSSYP102K50
	C 2069	(B,91,20)	CKSSYP102K50
	C 2070	(B,88,22)	CKSSYP102K50
	C 2071	(B,88,26)	CKSSYP102K50
	C 2072	(B,88,27)	CKSSYP102K50
C	C 2073	(B,88,31)	CKSSYP102K50
	C 2074	(B,88,32)	CKSSYP102K50
	C 2075	(B,180,8)	CKSRYP103K50
	C 2076	(B,57,78)	CKSSYP102K50
	C 2077	(B,59,78)	CKSSYP102K50
	C 2078	(B,54,78)	CKSSYP102K50
	C 2079	(B,125,78)	CKSSYP102K50
	C 2080	(B,126,78)	CKSSYP102K50
	C 2081	(B,128,77)	CKSSYP102K50
	C 2082	(B,129,76)	CKSSYP102K50
	C 2083	(B,130,76)	CKSSYP102K50
D	C 2084	(B,131,77)	CKSSYP102K50
	C 2085	(B,133,77)	CKSSYP102K50
	C 2086	(B,134,78)	CKSSYP102K50
	C 2087	(B,135,78)	CKSSYP102K50
	C 2088	(B,136,78)	CKSSYP102K50
	C 2089	(B,138,78)	CKSSYP102K50
	C 2090	(B,139,78)	CKSSYP102K50
	C 2091	(B,140,78)	CKSSYP102K50
	C 2092	(B,142,78)	CKSSYP102K50
	C 2093	(B,143,78)	CKSSYP102K50
	C 2094	(B,144,78)	CKSSYP102K50
E	C 2095	(B,146,77)	CKSSYP102K50
	C 2101	(B,103,15)	CKSSYP102K50