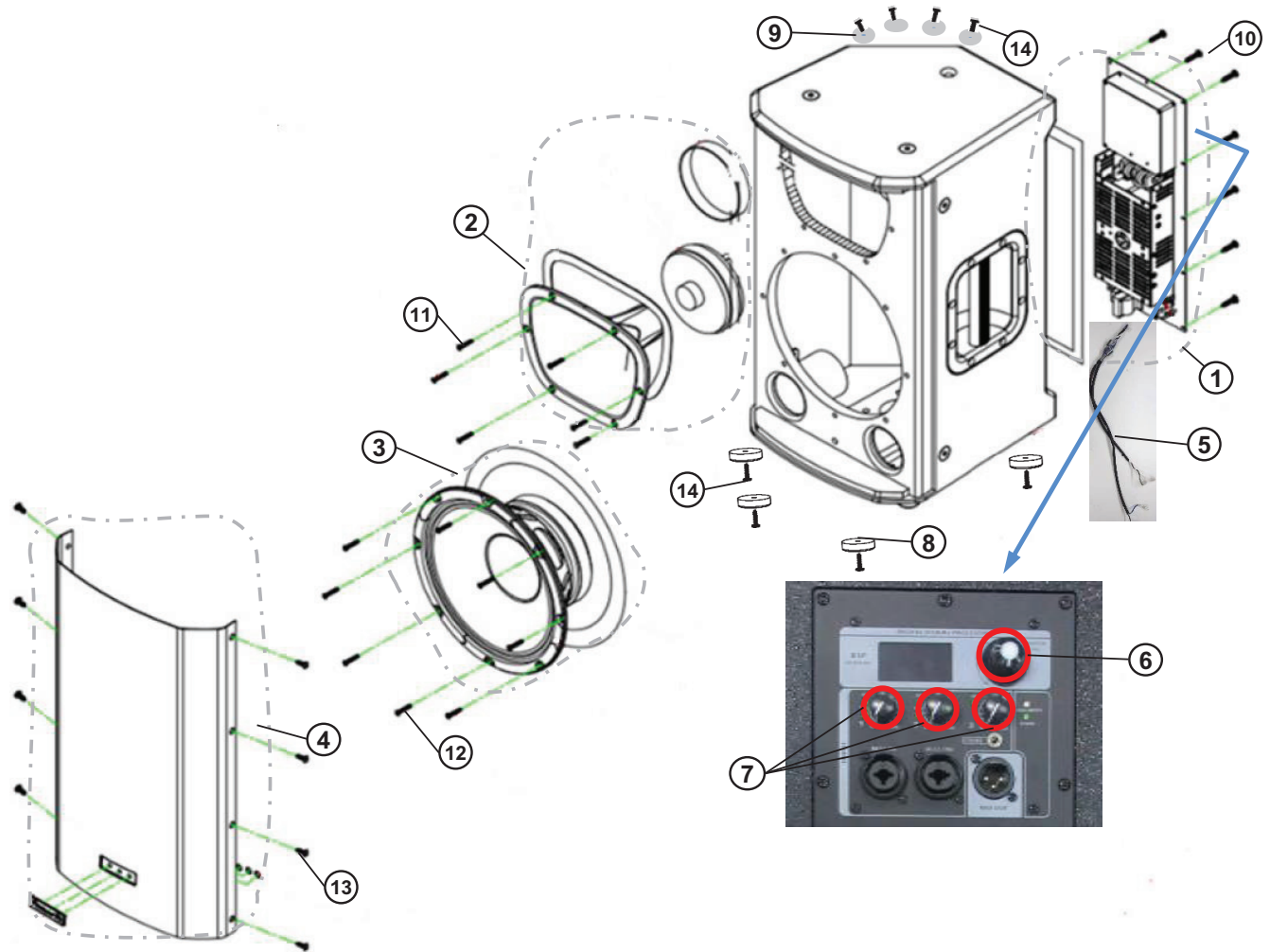


**EXTERIOR SECTION(XPRS102, XPRS122)**



**(1) EXTERIOR SECTION(XPRS102, XPRS122) PARTS LIST**

Mark	No.	Description	Part No.	Remarks
!	1	AMP MODULE	See Contrast table (2)	Rear panel and cushions included
	2	TWEETER ASSY	See Contrast table (2)	Cushions included
	3	WOOFER	See Contrast table (2)	Cushions included
	4	PUNCHING NET ASSY	See Contrast table (2)	Badges and cushions included
	5	CABLE ASSY	PJ01900	
	6	KNOB	PJ01901	
	7	KNOB	PJ01902	
	8	RUBBER FOOT	NI05134	bottom of XPRS102, bottom and side of XPRS122
	9	RUBBER FOOT	NI08311	side of XPRS102
	10	SCREW	MG01030	for AMP MODULE
	11	SCREW	MG01370	for TWEETER ASSY, for WOOFER of XPRS122
	12	SCREW	MG00762	for WOOFER of XPRS102
	13	SCREW	MG00665	for PUNCHING NET ASSY
	14	SCREW	MG01122	for RUBBER FOOT

**(2) CONTRAST TABLE**

Mark	No.	Description	XPRS102/CMXEG, /YXEG	XPRS122/CMXEG, /YXEG
!	1	AMP MODULE	PJ01897	PJ01898
	2	TWEETER ASSY	PJ01903	PJ01904
	3	WOOFER	PJ01907	PJ01908
	4	PUNCHING NET ASSY	PJ01911	PJ01912