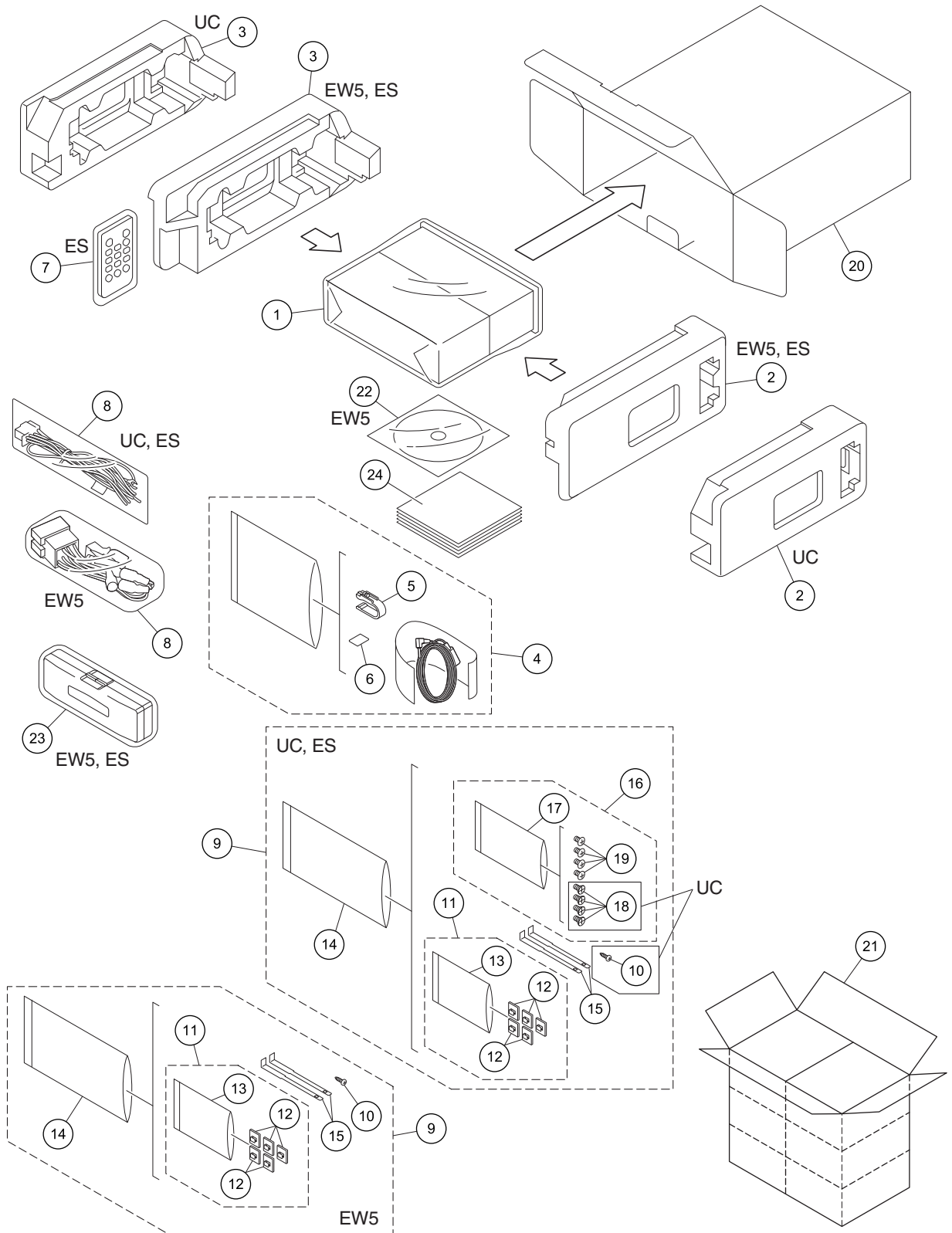


# 9. EXPLODED VIEWS AND PARTS LIST

- NOTES :**
- Parts marked by "\*" are generally unavailable because they are not in our Master Spare Parts List.
  - The  $\triangle$  mark found on some component parts indicates the importance of the safety factor of the part. Therefore, when replacing, be sure to use parts of identical designation.
  - Screw adjacent to  $\nabla$  mark on the product are used for disassembly.
  - For the applying amount of lubricants or glue, follow the instructions in this manual.  
(In the case of no amount instructions, apply as you think it appropriate.)

## 9.1 PACKING



## PACKING SECTION PARTS LIST

	<u>Mark No.</u>	<u>Description</u>	<u>Part No.</u>	<u>Mark No.</u>	<u>Description</u>	<u>Part No.</u>
A	1	Polyethylene Bag	See Contrast table (2)	18	Screw	See Contrast table (2)
	2	Protector	See Contrast table (2)	19	Screw	See Contrast table (2)
	3	Protector	See Contrast table (2)	20	Unit Box	See Contrast table (2)
	4	Microphone Assy	CPM1083			
	5	Clip Holder	CZN7912	21	Contain Box	See Contrast table (2)
				22	CD-ROM	See Contrast table (2)
	6	Cushion	CZN7913	23	Case Assy	See Contrast table (2)
	7	Remote Control Unit	See Contrast table (2)	*	24-1 Warranty Card	See Contrast table (2)
	8	Cord Assy	See Contrast table (2)	24-2	Owner's Manual	See Contrast table (2)
	*	9 Accessory Assy	See Contrast table (2)			
	10 Screw	See Contrast table (2)	24-3	Owner's Manual	See Contrast table (2)	
			24-4	Installation Manual	See Contrast table (2)	
B	11	Cord Clamper Assy	CEA4636	24-5	Quick Start Guide	See Contrast table (2)
*	12	Clamper	CNV8262	24-6	Quick Start Guide	See Contrast table (2)
*	13	Polyethylene Bag	E36-615	*	24-7 Caution Card	See Contrast table (2)
	14	Polyethylene Bag	CEG1160			
	15	Handle	CND3707	*	24-8 Caution Card	See Contrast table (2)
				*	24-9 Passport	See Contrast table (2)
	16	Screw Assy	See Contrast table (2)	*	24-10 Caution Card	See Contrast table (2)
*	17	Polyethylene Bag	See Contrast table (2)	*	24-11 Caution Card	See Contrast table (2)

## (2) CONTRAST TABLE

DEH-P6200BT/XSUC, DEH-6200BT/XSEW5 and DEH-6250BT/XSES are constructed the same except for the following:

	<u>Mark</u>	<u>No.</u>	<u>Description</u>	<u>DEH-P6200BT/XSUC</u>	<u>DEH-6200BT/XSEW5</u>	<u>DEH-6250BT/XSES</u>
D		1	Polyethylene Bag	CEG1173	QEG3001	QEG3001
		2	Protector	CHP3941	CHP3931	CHP3931
		3	Protector	CHP3942	CHP3932	CHP3932
		7	Remote Control Unit	Not Used	Not Used	CXE2758
		8	Cord Assy	YDP5039	YDP5041	YDP5039
	*	9	Accessory Assy	YEA5073	CEC2995	CEC2996
		10	Screw	BPZ20P060FTC	BPZ20P060FTC	Not Used
		16	Screw Assy	YEA5072	Not Used	YEA5082
	*	17	Polyethylene Bag	CEG-127	Not Used	CEG-127
		18	Screw	CRZ50P090FTC	Not Used	Not Used
E		19	Screw	TRZ50P080FTC	Not Used	TRZ50P080FTC
		20	Unit Box	YHG5560	YHG5559	YHG5561
		21	Contain Box	YHL5560	YHL5559	YHL5561
		22	CD-ROM	Not Used	YPJ5007	Not Used
		23	Case Assy	Not Used	YXB5009	YXB5009
	*	24-1	Warranty Card	CRY1276	CRY1279	Not Used
		24-2	Owner's Manual	YRD5314	Not Used	YRD5316
		24-3	Owner's Manual	Not Used	Not Used	YRD5317
		24-4	Installation Manual	YRD5315	YRD5313	YRD5318
		24-5	Quick Start Guide	Not Used	YRD5311	Not Used
F		24-6	Quick Start Guide	Not Used	YRD5312	Not Used
	*	24-7	Caution Card	Not Used	CRP1389	Not Used
	*	24-8	Caution Card	Not Used	CRP1394	Not Used
	*	24-9	Passport	Not Used	CRY1268	Not Used
	*	24-10	Caution Card	Not Used	YRP5019	Not Used
	*	24-11	Caution Card	Not Used	YRP5021	Not Used

**Owner's Manual,Installation Manual**

<b>Part No.</b>	<b>Language</b>
YRD5314	English, French, Spanish(Espanol)
YRD5315	English, French, Spanish(Espanol)
YRD5311	English, French, Italian, Spanish(Espanol)
YRD5312	German, Dutch, Russian
YRD5313	English, French, Italian, Spanish(Espanol), German ,Dutch, Russian
YRD5316	English,Spanish(Espanol),Portuguese(B)
YRD5317	Traditional Chinese, Arabic
YRD5318	English, Spanish(Espanol), Portuguese(B), Traditional Chinese, Arabic

A

B

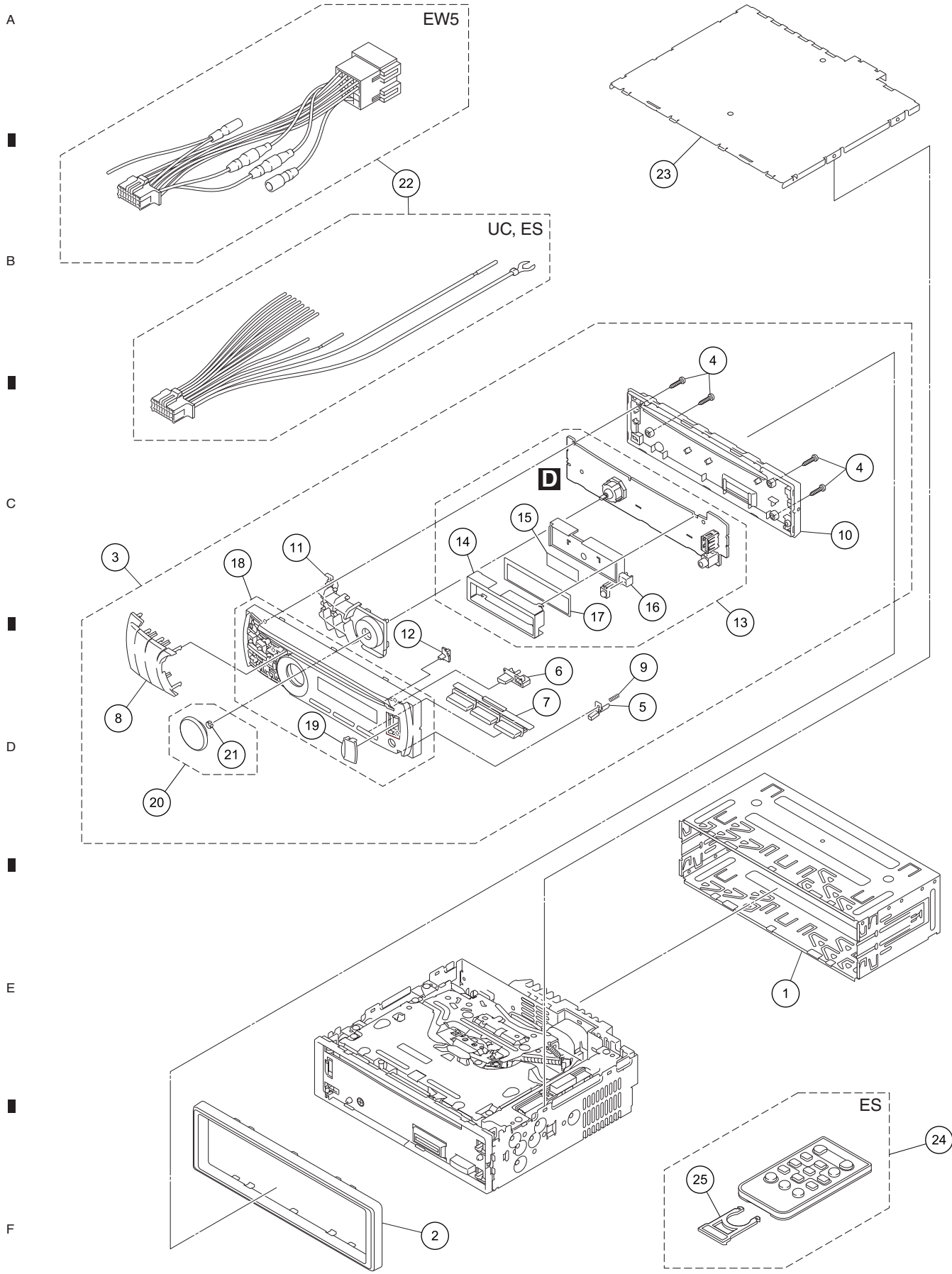
C

D

E

F

# 9.2 EXTERIOR (1)



**EXTERIOR (1) SECTION PARTS LIST**

<u>Mark No.</u>	<u>Description</u>	<u>Part No.</u>	<u>Mark No.</u>	<u>Description</u>	<u>Part No.</u>
1	Holder	CND3598	14	Holder	CND5407
2	Panel	CNU1016	15	Double Side Tape	CNN1878
3	Detach Grille Assy	See Contrast table (2)	16	Holder	CNW1754
4	Screw	BPZ20P100FTC	17	OEL Module	See Contrast table (2)
5	Button(DETACH)	CAI2688	18	Grille Unit	See Contrast table (2)
6	Button(EJECT)	CAI2689	19	Door(USB)	CAT2911
7	Button(1-6)	CAI2690	20	Knob Unit	CXE2418
8	Button	See Contrast table (2)	21	Spring	XBL7005
9	Spring	CBH2210	22	Cord Assy	See Contrast table (2)
10	Cover	CNU1012	23	Case	YNB5063
11	Lighting Conductor	CNW1752	24	Remote Control Unit	See Contrast table (2)
12	Lighting Conductor	CNW1753	25	Cover	See Contrast table (2)
13	Keyboard Assy	See Contrast table (2)			

**(2) CONTRAST TABLE**

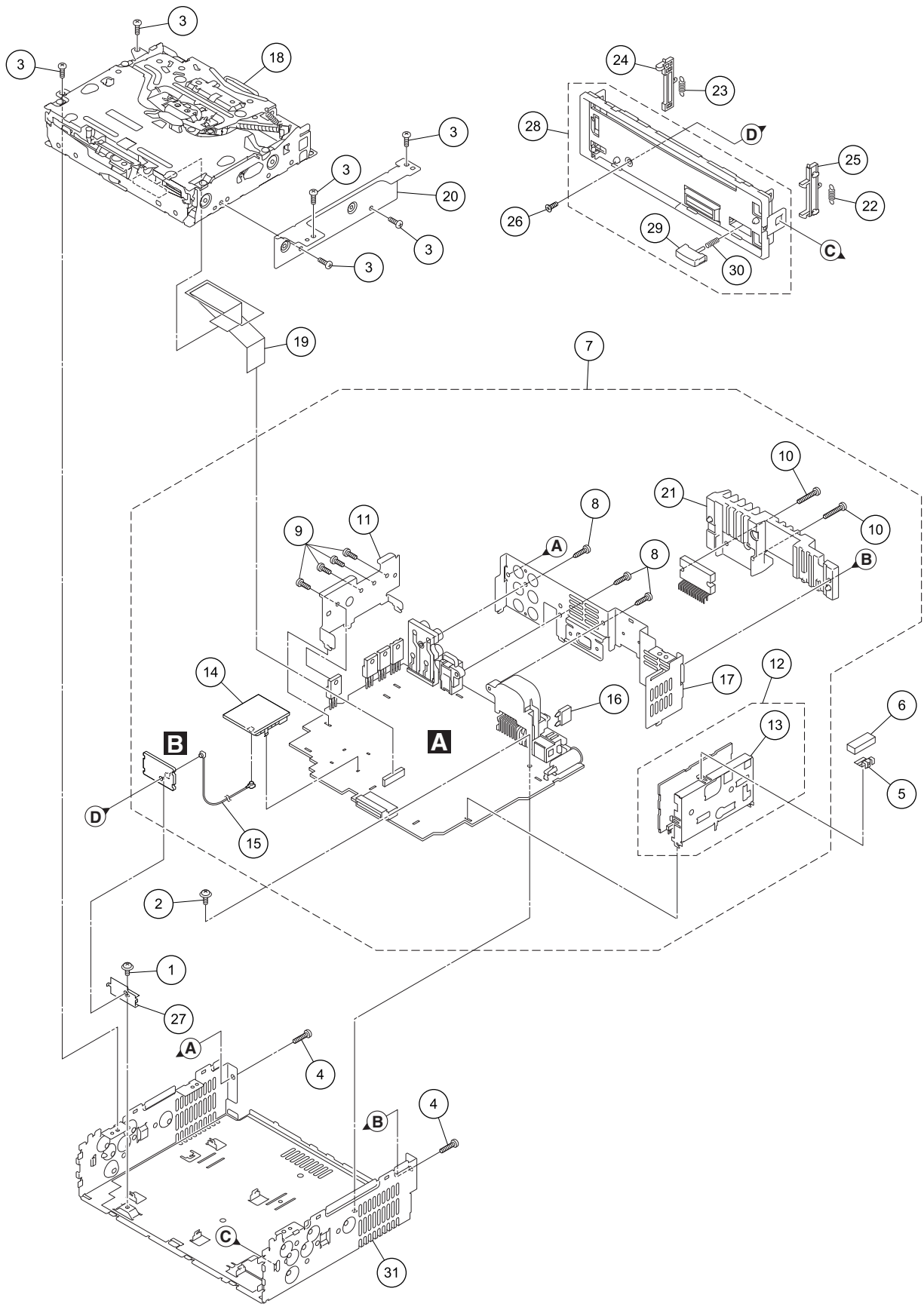
DEH-P6200BT/XSUC, DEH-6200BT/XSEW5 and DEH-6250BT/XSES are constructed the same except for the following:

<b>Mark</b>	<b>No.</b>	<b>Description</b>	<b>DEH-P6200BT/XSUC</b>	<b>DEH-6200BT/XSEW5</b>	<b>DEH-6250BT/XSES</b>
	3	Detach Grille Assy	YXA5713	YXA5708	YXA5710
	8	Button	YAC5408 (SRC, PHONE, LIST, BAND, S.Rtrv, RPT)	YAC5407 (SRC, PHONE, LIST, BAND, TA, RPT)	YAC5409 (SRC, PHONE, LIST, BAND, S.Rtrv, RPT)
	13	Keyboard Assy	YWM5476	YWM5472	YWM5473
	17	OEL Module	MXS4013	MXS4013	MXS4012
	18	Grille Unit	YXA5700	YXA5699	YXA5702
	22	Cord Assy	YDP5039	YDP5041	YDP5039
	24	Remote Control Unit	Not Used	Not Used	CXE2758
	25	Cover	Not Used	Not Used	CNS7068

# 9.3 EXTERIOR (2)

1 2 3 4

A  
B  
C  
D  
E  
F



1 2 3 4

**EXTERIOR (2) SECTION PARTS LIST**

<u>Mark No.</u>	<u>Description</u>	<u>Part No.</u>	<u>Mark No.</u>	<u>Description</u>	<u>Part No.</u>
1	Screw	ASZ26P040FTC	17	Holder	See Contrast table (2)
2	Screw	ASZ26P050FTC	18	CD Mechanism Module(S11)	CXK5800
3	Screw	BSZ26P060FTC	19	Cable	YDE5064
4	Screw	BSZ26P100FTC	20	Holder	YND5048
5	Earth Plate	CNC8915	21	Heat Sink	YNR5142
6	Cushion	CNM8890	22	Spring(Thin)	CBH2961
7	Tuner Amp Assy	See Contrast table (2)	23	Spring(Thick)	CBH2962
8	Screw	BPZ26P080FTC	24	Arm	CNV9312
9	Screw	BSZ26P060FTC	25	Arm	CNW1439
10	Screw	BSZ26P160FTC	26	Screw	CSZ26P060FTB
11	Holder	CND5423	27	Holder	YNC5092
12	FM/AM Tuner Unit	See Contrast table (2)	28	Panel Unit	YXA5722
13	Holder	CND4324	29	Button	CAC4836
14	Bluetooth Module	CWX3865	30	Spring	YBH5012
15	Cord Assy	YDE5065	31	Chassis Unit	See Contrast table (2)
⚠ 16	Fuse(10 A)	YEK5001			

**(2) CONTRAST TABLE**

DEH-P6200BT/XSUC, DEH-6200BT/XSEW5 and DEH-6250BT/XSES are constructed the same except for the following:

Mark	No.	Description	DEH-P6200BT/XSUC	DEH-6200BT/XSEW5	DEH-6250BT/XSES
	7	Tuner Amp Assy	YWM5471	YWM5467	YWM5468
	12	FM/AM Tuner Unit	CWE2097	CWE2097	CWE2098
	17	Holder	YNC5086	YNC5087	YNC5088
	31	Chassis Unit	YXA5720	YXA5719	YXA5720

# 9.4 CD MECHANISM MODULE

A

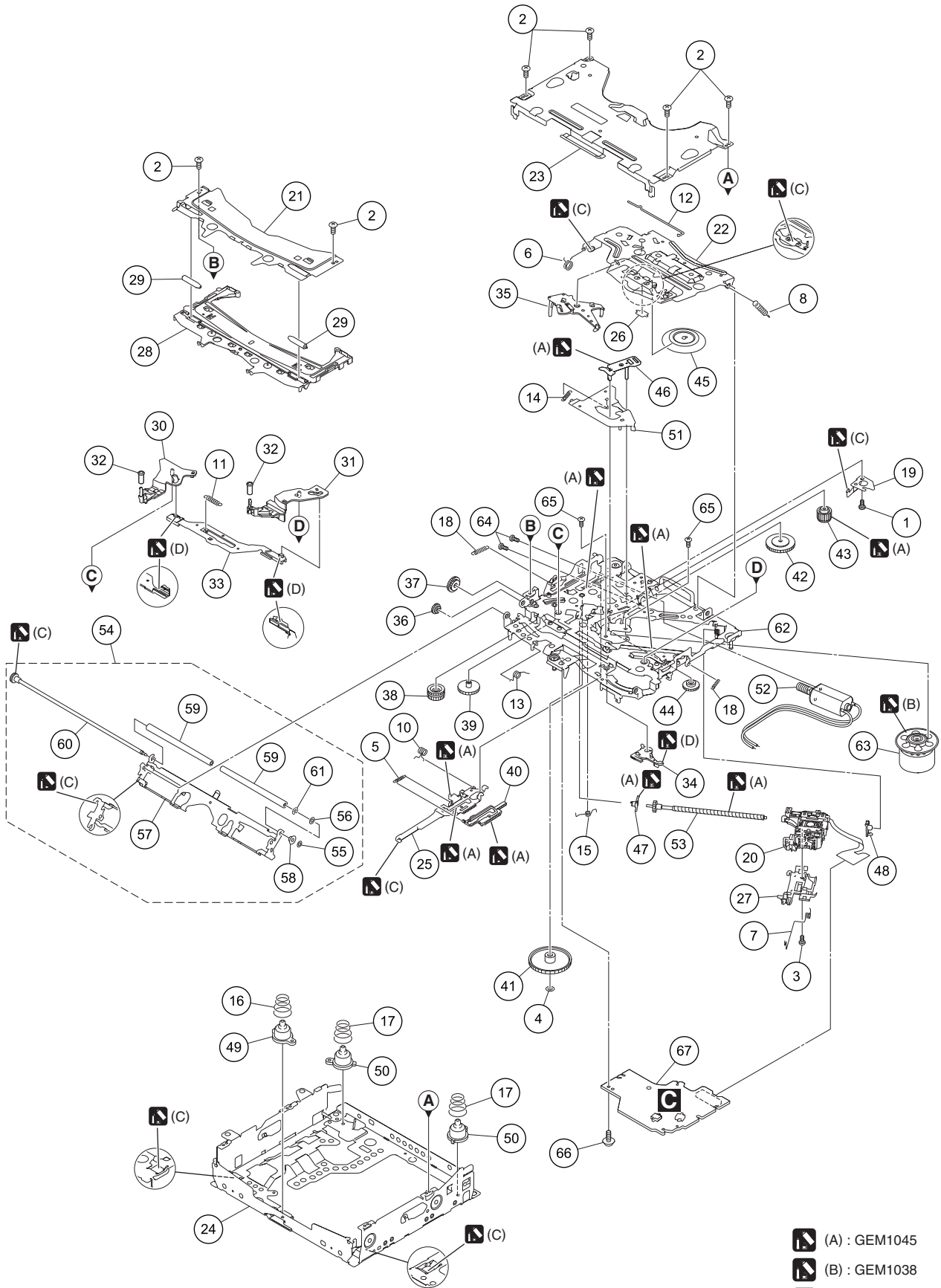
B





C

D

E

F



-  (A) : GEM1045
-  (B) : GEM1038
-  (C) : GEM1024
-  (D) : GEM1043

## CD MECHANISM MODULE SECTION PARTS LIST

<u>Mark No.</u>	<u>Description</u>	<u>Part No.</u>	<u>Mark No.</u>	<u>Description</u>	<u>Part No.</u>	
1	Screw	BMZ20P020FTC	50	Damper	CNW1198	
2	Screw	BSZ20P040FTC				
3	Screw(M2 x 4)	CBA1835	51	Arm	CNW1726	A
4	Washer	CBF1038	52	Motor Unit(M2)(LOAD/CRG)	CXC4026	
5	Spring	CBH3010	53	Screw Unit	CXC8894	
			54	Arm Assy	CXC8896	
6	Spring	CBH2855	55	Washer	CBF1037	
7	Spring	CBH2856				
8	Spring	CBH2860	56	Washer	CBF1038	
9	.....		57	Arm	CND4554	
10	Spring	CBH3011	58	Collar	CNV6906	
			59	Roller	CNW1196	
11	Spring	CBH3012	60	Gear Unit	CXC8893	B
12	Spring	CBH3014				
13	Spring	CBH3015	61	Washer	YE15FTC	
14	Spring	CBH3016	62	Chassis Unit	CXE1946	
15	Spring	CBH3017	63	Motor Unit(M1)(SPDL)	CXE2273	
			64	Screw	JFZ20P025FTC	
16	Spring	CBH3018	65	Screw	JGZ17P022FTC	
17	Spring	CBH3019				
18	Spring	CBH3020	66	Screw	IMS20P030FTC	
19	Spring	CBL1797	67	CD Core Unit (S11STD-DOUT)	CWX3774	
20	Pickup Unit(S10.5)(Service)	CXX1942				C
21	Bracket	CND4553				
22	Arm	CND4555				
23	Frame	CND4557				
24	Frame	CND5217				
25	Lever	CND5398				
26	Sheet	CNN2280				
27	Rack	CNV8342				
28	Guide	CNW1171				
29	Roller	CNW1172				
30	Arm	CNW1173				D
31	Arm	CNW1174				
32	Roller	CNW1175				
33	Lever	CNW1176				
34	Arm	CNW1177				
35	Arm	CNW1178				
36	Gear	CNW1180				
37	Gear	CNW1181				
38	Gear	CNW1182				
39	Gear	CNW1183				E
40	Rack	CNW1184				
41	Gear	CNW1185				
42	Gear	CNW1186				
43	Gear	CNW1187				
44	Gear	CNW1188				
45	Clamper	CNW1190				
46	Arm	CNW1192				
47	Holder	CNW1193				F
48	Holder	CNW1194				
49	Damper	CNW1197				

# 12. ELECTRICAL PARTS LIST

**NOTE:**

- Parts whose parts numbers are omitted are subject to being not supplied.
- The part numbers shown below indicate chip components.

*Chip Resistor*

RS1/○S○○○○J,RS1/○○S○○○○J

*Chip Capacitor (except for CQS.....)*

CKS....., CCS....., CSZS.....

- The  $\triangle$  mark found on some component parts indicates the importance of the safety factor of the part. Therefore, when replacing, be sure to use parts of identical designation.
- Meaning of the figures and others in the parentheses in the parts list.

Example) IC 301 is on the point (face A, 91 of x-axis, and 111 of y-axis) of the corresponding PC board.

IC 301 (A, 91, 111) IC NJM2068V

**Circuit Symbol and No.      Part No.      Circuit Symbol and No.      Part No.**

**E:DEH-P6200BT/XSUC**

**A:DEH-6200BT/XSEW5**

**B:DEH-6250BT/XSES**

**Unit Number: YWM5471(E)**

**Unit Number: YWM5467(A)**

**Unit Number: YWM5468(B)**

**Unit Name : TUNER AMP ASSY**

**Unit Number: CWX3774**

**Unit Name : CD Core Unit (S11STD-DOUT)**

**Unit Number: YWM5476(E)**

**Unit Number: YWM5472(A)**

**Unit Number: YWM5473(B)**

**Unit Name : KEYBOARD ASSY**

**TUNER AMP ASSY**

**Consists of**

**TUNER AMP PCB**

**BT ANT PCB**



**Unit Number: YWM5471(E)**

**Unit Number: YWM5467(A)**

**Unit Number: YWM5468(B)**

**Unit Name : TUNER AMP ASSY**

**MISCELLANEOUS**

IC 101	(A,148,126) IC(E)	HA12241FP
IC 151	(A,67,86) IC	R5523N001B
IC 161	(A,58,101) Regulator IC	BD9781HFP
IC 181	(A,109,76) IC	WM8761GED
IC 182	(A,84,93) IC	NJM2872F05

IC 201	(A,79,119) IC	PM9012A
IC 351	(A,84,143) IC	PA2030A
IC 431	(A,161,26) IC	NJM2885DL1-33
IC 451	(A,70,61) IC	NJM4558MD
IC 501	(A,122,51) IC	R5S7262ZD144FPU

IC 502	(A,84,35) IC(E)	SST25V040BIS
IC 571	(A,150,38) Software Unit	CWW1967
IC 581	(A,57,77) IC	NJM2885DL1-33
IC 583	(A,80,79) IC	BH12PB3WHFV
IC 591	(A,102,24) IC	341S2162

IC 601	(A,129,98) IC(E)	PEG635A8
	(A,129,98) IC(A)	PEG634A8
	(A,129,98) IC(B)	PEG636A8
IC 651	(A,120,110) IC	S-80827CNNB-B8M
IC 851	(A,31,49) IC(E)	NJM2360M

IC 882	(A,45,65) Regulator IC	S-1132B33-U5
IC 902	(A,23,76) Regulator IC	S-1132B33-U5
IC 911	(A,8,123) IC	NJM2388F84
Q 101	(A,140,126) Transistor(E)	UMF23N
Q 201	(A,100,117) Transistor(E)	2SC4081

Q 301	(A,16,128) Transistor(E)	IMH23
	(A,16,128) Transistor(A)	IMH3A
Q 302	(A,23,128) Transistor(E)	IMH23
Q 303	(A,31,128) Transistor(E)	IMH23
	(A,31,128) Transistor(A,B)	IMH3A

Q 361	(A,58,134) Transistor	LTC114EUB
Q 363	(A,71,129) Transistor	RT3T22M
Q 381	(A,63,130) Transistor	2SC4081
Q 382	(A,45,130) Transistor	RT3T22M
Q 401	(A,153,87) Transistor(E,A)	UMH1N

Q 402	(A,154,92) Transistor(E,A)	UMH1N
Q 591	(A,110,26) Transistor	LSA1576UB
Q 751	(A,8,95) Transistor	2SD2396
Q 752	(A,16,93) Transistor	RT3T22M
Q 821	(A,21,26) Transistor	2SA1036K

Q 822	(A,31,33) Transistor	LTC114EUB
Q 831	(A,21,51) Transistor	2SD1767
Q 832	(A,14,47) Transistor	RT3T22M
Q 833	(A,42,32) Transistor	LTC114EUB
Q 834	(A,43,29) Transistor	2SA1036K

5			6			7			8		
<u>Circuit Symbol and No.</u>			<u>Part No.</u>			<u>Circuit Symbol and No.</u>			<u>Part No.</u>		
Q 841	(A,96,18)	Transistor	LSA1576UB	VA662	(A,42,134)	Varistor	VR105C5R0AAA				
Q 842	(A,94,16)	Transistor	LTC114EUB	VA663	(A,45,134)	Varistor	VR105C5R0AAA				
Q 853	(A,22,37)	Transistor(E)	2SA1036K	VA664	(A,44,134)	Varistor	VR105C5R0AAA				
Q 854	(A,24,34)	Transistor(E)	LTC114EUB	VA665	(A,60,140)	Varistor	VR105C5R0AAA				
Q 891	(A,8,72)	Transistor	2SD2396	VA801	(A,108,17)	Varistor	VR105C5R0AAA				
Q 892	(A,18,71)	Transistor	RT3T22M	VA802	(A,116,17)	Varistor	VR105C5R0AAA				
Q 901	(A,8,107)	Transistor	2SD2396	VA803	(A,122,16)	Varistor	VR105C5R0AAA				
Q 902	(A,16,105)	Transistor	RT3T22M	VA806	(A,112,16)	Varistor	VR105C5R0AAA				
Q 921	(A,138,109)	Transistor	RT3CLLM	VA807	(A,113,16)	Varistor	VR105C5R0AAA				
D 161	(A,41,105)	Diode	CRG03	VA808	(A,128,15)	Varistor	VR105C5R0AAA				
D 162	(A,38,105)	Diode	CRG03	CN461	(A,73,47)	Connector	CKS6192				
D 163	(A,47,94)	Diode	CMS02	CN701	(A,97,41)	Connector	VKN1192				
D 201	(A,103,116)	Diode(E)	UDZS15(B)	CN801	(A,115,5)	Connector	CKS6188				
D 381	(A,57,129)	Diode	UDZS8R2(B)	CN1101	(A,10,21)	Connector	CKS5749				
D 382	(A,63,128)	Diode	MC2848-11	CN1101	(A,10,21)	Connector	CKS5749				
D 383	(A,55,130)	Diode	1SS352	JA101	(A,152,138)	Connector(E)	CKS5271				
D 581	(A,42,76)	Diode	1SS352	JA301	(A,26,139)	Pin Jack(E)	YKB5016				
D 582	(A,46,77)	Diode	CRG03		(A,26,139)	Pin Jack(A,B)	YKB5011				
D 601	(A,123,85)	Diode	RB551V-30	JA401	(A,170,130)	Antenna Jack	CKX1070				
D 602	(A,123,109)	Diode	RB751S-40	JA661	(A,48,142)	Jack	YKS5035				
D 651	(A,120,107)	Diode	1SS352	JA981	(A,119,142)	Plug	CKM1586				
D 751	(A,18,90)	Diode	HZU8R2(B1)			FM/AM Tuner Unit(E,A)	CWE2097				
D 804	(A,120,14)	Diode	DZ2S068C			FM/AM Tuner Unit(B)	CWE2098				
D 805	(A,117,14)	Diode	DZ2S068C	⚠		Fuse(10 A)	YEK5001				
D 806	(A,123,14)	Diode	DZ2S068C								
D 807	(A,125,14)	Diode	DZ2S068C								
D 808	(A,126,14)	Diode	DZ2S068C	R 101	(A,145,120) (E)		RS1/16SS102J				
D 831	(A,15,44)	Diode	HZU10(B1)	R 102	(A,146,120) (E)		RS1/16SS102J				
D 832	(A,43,37)	Diode	DAN202U	R 103	(A,154,129) (E)		RS1/16SS223J				
D 851	(A,41,43)	Diode(E)	RB551V-30	R 104	(A,155,129) (E)		RS1/16SS181J				
D 891	(A,13,75)	Diode	CRG03	R 105	(A,146,123) (E)		RS1/16SS223J				
D 892	(A,25,69)	Diode	UDZS5R6(B)	R 106	(A,145,123) (E)		RS1/16SS181J				
D 901	(A,16,98)	Diode	CRG03	R 107	(A,157,129) (E)		RS1/16SS101J				
D 902	(A,17,102)	Diode	UDZS5R6(B)	R 108	(A,159,129) (E)		RS1/16SS470J				
D 921	(A,134,130)	Diode	HZU7L(C2)	R 109	(A,161,129) (E)		RS1/16SS150J				
D 922	(A,132,128)	Diode	HZU7L(A1)	R 110	(A,162,127) (E)		RS1/16SS101J				
D 941	(A,106,128)	Diode	CRG03	R 111	(A,142,128) (E)		RS1/16SS222J				
D 942	(A,110,130)	Diode	CRG03	R 112	(A,144,122) (E)		RS1/16SS101J				
D 981	(A,139,132)	Diode	CRG03	R 113	(A,153,127) (E)		RS1/16SS102J				
D 982	(A,139,129)	Diode	CRG03	R 114	(A,142,122) (E)		RS1/16SS332J				
ZNR401	(A,164,118)	Surge Protector	MSA-6802-01Y900	R 115	(A,141,123) (E)		RS1/16SS562J				
L 101	(A,154,124)	Inductor(E)	LCTC1R0K1608	R 151	(A,118,87)		RS1/16SS104J				
L 161	(A,45,85)	Inductor	CTH1253	R 161	(A,55,92)		RS1/16SS1003F				
L 181	(A,102,81)	Chip Ferrite Bead	DTL1107	R 163	(A,58,92)		RS1/16SS683J				
L 401	(A,153,105)	Chip Coil	BTH1100	R 165	(A,60,91)		RS1/10SR1003D				
L 402	(A,156,57)	Chip Coil	BTH1100	R 166	(A,63,92)		RS1/10SR2402D				
L 404	(A,161,115)	Inductor	LCTAW220J2520	R 167	(A,61,93)		RS1/10SR333J				
L 461	(A,81,54)	Inductor	CTF1389	R 168	(A,65,90)		RS1/10SR471J				
L 501	(A,97,75)	Inductor	VTL1145	R 169	(A,65,92)		RS1/10SR121J				
L 502	(A,97,81)	Inductor	CTF1410	R 191	(A,87,98)		RS1/16SS681J				
L 601	(A,112,90)	Chip Coil	BTH1103	R 192	(A,87,100)		RS1/16SS681J				
L 801	(A,119,18)	Inductor	CTF1713	R 201	(A,72,125)		RAB4CQ102J				
L 851	(A,33,40)	Inductor(E)	CTF1660	R 202	(A,83,104)		RS1/16SS101J				
L 981	(A,118,142)	Choke Coil 600 uH	CTH1445	R 203	(A,94,126) (E)		RS1/10SR0R0J				
X 501	(A,126,69)	Oscillator 48.000 MHz	CSS1760	R 207	(A,85,104)		RS1/16SS223J				
X 503	(A,103,45)	Oscillator 16.93 MHz	CSS1794	R 208	(A,84,105)		RS1/16SS223J				
X 601	(A,114,101)	Oscillator 20.0 MHz	CSS1797	R 209	(A,90,125) (A,B)		RS1/16SS0R0J				
S 651	(A,76,9)	Switch(RESET)	CSG1020	R 210	(A,99,115) (E)		RS1/10SR101J				
P 301	(A,50,116)	Poly Switch	MINISMDC075F/24	R 301	(A,13,130) (E)		RS1/16SS820J				
BZ601	(A,85,22)	Buzzer	CPV1062		(A,13,130) (A)		RS1/16SS821J				

**RESISTORS**

1

2

3

4

**Circuit Symbol and No.****Part No.****Circuit Symbol and No.****Part No.**

	R 302	(A,19,128) (E) (A,19,128) (A)	RS1/16SS820J RS1/16SS821J	R 469	(A,69,55)	RS1/10SR0R0J
				R 472	(A,79,49)	RS1/10SR0R0J
				R 473	(A,79,50)	RS1/10SR0R0J
A	R 303	(A,21,130) (E)	RS1/16SS820J	R 501	(A,136,67)	RS1/16SS473J
	R 304	(A,38,132) (E)	RS1/16SS820J			
	R 305	(A,28,129) (E) (A,28,129) (A,B)	RS1/16SS820J RS1/16SS821J	R 502	(A,139,63)	RS1/16SS101J
	R 306	(A,34,129) (E) (A,34,129) (A,B)	RS1/16SS820J RS1/16SS821J	R 503	(A,137,44)	RS1/16SS473J
				R 504	(A,133,67)	RS1/16SS473J
				R 505	(A,132,67)	RS1/16SS473J
				R 509	(A,131,67)	RS1/16SS473J
	R 309	(A,21,131) (E)	RS1/16SS223J			
	R 310	(A,36,131) (E)	RS1/16SS223J	R 510	(A,130,67)	RS1/16SS473J
	R 311	(A,29,131)	RS1/16SS223J	R 513	(A,124,68)	RS1/16SS102J
	R 312	(A,33,131)	RS1/16SS223J	R 518	(A,96,72)	RS1/16SS101J
	R 313	(A,26,131) (E)	RS1/16SS0R0J	R 519	(A,119,66)	RS1/16SS5601F
				R 521	(A,107,56)	RS1/16SS473J
B	R 314	(A,26,132) (E)	RS1/16SS0R0J			
	R 315	(A,25,131) (A)	RS1/16SS0R0J	R 522	(A,107,55)	RS1/16SS473J
	R 316	(A,28,131) (A,B)	RS1/16SS0R0J	R 526	(A,115,72)	RS1/16SS221J
	R 351	(A,79,132) (E) (A,79,132) (A,B)	RS1/16SS362J RS1/16SS0R0J	R 529	(A,107,44)	RS1/16SS332J
				R 530	(A,106,43) (A,B)	RS1/16SS473J
				R 532	(A,109,70)	RS1/16SS221J
	R 352	(A,79,131) (E) (A,79,131) (A,B)	RS1/16SS362J RS1/16SS0R0J	R 533	(A,116,75)	RS1/16SS101J
	R 353	(A,87,129) (E) (A,87,129) (A,B)	RS1/16SS362J RS1/16SS0R0J	R 534	(A,116,74)	RS1/16SS101J
	R 354	(A,88,129) (E) (A,88,129) (A,B)	RS1/16SS362J RS1/16SS0R0J	R 535	(A,117,76)	RS1/16SS101J
				R 544	(A,139,41)	RS1/16SS472J
				R 547	(A,138,41)	RS1/16SS0R0J
C	R 355	(A,89,130) (E)	RS1/16SS562J	R 552	(A,104,63)	RS1/16SS103J
	R 356	(A,86,129) (E)	RS1/16SS562J	R 554	(A,113,68)	RS1/16SS473J
	R 357	(A,79,129) (E)	RS1/16SS562J	R 560	(A,90,37) (E)	RS1/10SR0R0J
	R 358	(A,79,133) (E)	RS1/16SS562J	R 563	(A,82,29) (E)	RS1/16SS101J
	R 361	(A,67,136)	RS1/16SS103J	R 564	(A,83,29) (E)	RS1/16SS101J
	R 362	(A,59,132)	RS1/16SS103J	R 565	(A,90,35) (E)	RS1/16SS473J
	R 363	(A,65,136)	RS1/16SS331J	R 566	(A,90,40) (E)	RS1/16SS101J
	R 365	(A,71,132)	RS1/16SS103J	R 567	(A,105,26) (A,B)	RS1/16SS473J
	R 366	(A,72,132)	RS1/16SS103J	R 568	(A,88,39) (E)	RS1/16SS101J
	R 381	(A,59,131)	RS1/10SR473J	R 572	(A,140,36)	RS1/16SS472J
	R 382	(A,59,129)	RS1/10SR104J	R 574	(A,140,37)	RS1/16SS472J
D	R 383	(A,136,86)	RS1/16SS473J	R 575	(A,152,18)	RAB4CQ221J
	R 384	(A,66,130)	RS1/10SR473J	R 576	(A,152,24)	RAB4CQ221J
	R 385	(A,49,134)	RS1/16SS102J	R 577	(A,149,24)	RAB4CQ221J
	R 387	(A,55,127)	RS1/16SS820J	R 578	(A,145,25)	RAB4CQ221J
	R 401	(A,158,93)	RS1/16SS681J	R 591	(A,112,26)	RS1/16SS472J
	R 402	(A,158,94) (A)	RS1/16SS681J	R 592	(A,107,30)	RS1/16SS101J
	R 403	(A,158,95)	RS1/16SS681J	R 593	(A,104,29)	RS1/16SS103J
	R 404	(A,158,96)	RS1/16SS681J	R 594	(A,109,29)	RS1/16SS101J
	R 405	(A,158,97)	RS1/16SS681J	R 595	(A,103,29)	RS1/16SS103J
	R 406	(A,158,98)	RS1/16SS681J	R 596	(A,108,24)	RS1/16SS473J
	R 407	(A,158,99)	RS1/16SS681J	R 599	(A,104,19)	RS1/16SS272J
E	R 408	(A,156,100)	RS1/16SS152J	R 600	(A,102,18)	RS1/16SS472J
	R 409	(A,149,96) (E,A)	RAB4CQ223J	R 601	(A,84,89)	RS1/16SS102J
	R 410	(A,159,48) (E)	RS1/16SS104J	R 602	(A,145,73)	RS1/16SS472J
	R 411	(A,159,50) (E)	RS1/16SS104J	R 603	(A,118,98)	RS1/16SS105J
	R 451	(A,68,57)	RS1/10SR223J	R 604	(A,119,99)	RS1/16SS0R0J
	R 452	(A,63,62)	RS1/10SR223J	R 605	(A,118,94)	RS1/16SS104J
	R 453	(A,72,56)	RS1/10SR223J	R 606	(A,118,92)	RS1/16SS222J
	R 454	(A,66,57)	RS1/10SR223J	R 607	(A,131,85)	RS1/16SS104J
	R 455	(A,76,63)	RS1/10SR103J	R 609	(A,128,111)	RS1/16SS104J
	R 456	(A,75,59)	RS1/10SR103J	R 610	(A,127,111)	RS1/16SS104J
F	R 457	(A,74,66)	RS1/10SR100J	R 611	(A,143,100)	RS1/16SS104J
	R 464	(A,85,66)	RS1/10SR0R0J	R 613	(A,125,85)	RS1/16SS104J
	R 466	(A,82,46)	RS1/10SR102J	R 614	(A,126,85)	RS1/16SS104J
	R 467	(A,78,43)	RS1/10SR102J	R 615	(A,124,85)	RS1/16SS104J

1

2

3

4

5		6		7		8	
<u>Circuit Symbol and No.</u>		<u>Part No.</u>		<u>Circuit Symbol and No.</u>		<u>Part No.</u>	
R 616	(A,129,85)	RS1/16SS104J	RS1/16SS104J	R 831	(A,17,47)	RS1/10SR103J	
R 617	(A,130,85)	RS1/16SS104J	RS1/16SS104J	R 833	(A,16,50)	RS1/10SR101J	
R 618	(A,132,85)	RS1/16SS104J	RS1/16SS104J	R 834	(A,16,51)	RS1/10SR101J	
R 619	(A,126,83)	RS1/16SS472J	RS1/16SS472J	R 835	(A,39,28)	RS1/16SS103J	A
R 620	(A,133,85)	RS1/16SS104J	RS1/16SS104J	R 836	(A,39,31)	RS1/4SA102J	
R 622	(A,140,99)	RS1/16SS0R0J	RS1/16SS0R0J	R 842	(A,96,12)	RS1/16SS472J	
R 623	(A,140,97)	RS1/16SS104J	RS1/16SS104J	R 843	(A,94,18)	RS1/16SS102J	
R 624	(A,125,111)	RS1/16SS473J	RS1/16SS473J	R 844	(A,96,20)	RS1/16SS103J	
R 626	(A,122,111)	RS1/16SS103J	RS1/16SS103J	R 851	(A,19,39)	RS1/10SR1R0J	
R 630	(A,119,90) (E)	RS1/16SS472J	RS1/16SS472J	R 852	(A,26,49) (E)	RS1/10SR821J	
R 631	(A,121,88) (E)	RS1/16SS472J	RS1/16SS472J	R 853	(A,33,55) (E)	RS1/10SR153J	
R 632	(A,131,108)	RS1/16SS681J	RS1/16SS681J	R 854	(A,31,54) (E)	RS1/10SR332J	
R 633	(A,130,110)	RS1/16SS0R0J	RS1/16SS0R0J	R 855	(A,28,54) (E)	RS1/10SR222J	
R 634	(A,138,106)	RS1/16SS0R0J	RS1/16SS0R0J	R 858	(A,22,39) (E)	RS1/16SS103J	
R 636	(A,133,107)	RS1/16SS104J	RS1/16SS104J	R 859	(A,19,35) (E)	RS1/16SS102J	B
R 638	(A,133,108)	RS1/16SS104J	RS1/16SS104J	R 891	(A,14,69)	RS1/4SA0R0J	
R 643	(A,146,94)	RS1/16SS104J	RS1/16SS104J	R 892	(A,15,74)	RS1/10SR472J	
R 651	(A,118,105)	RS1/16SS104J	RS1/16SS104J	R 893	(A,33,69)	RS1/10SR393J	
R 652	(A,119,104)	RS1/16SS152J	RS1/16SS152J	R 894	(A,30,69)	RS1/10SR103J	
R 661	(A,60,138)	RS1/10SR102J	RS1/10SR102J	R 901	(A,14,105)	RS1/16SS682J	
R 662	(A,60,137)	RS1/10SR102J	RS1/10SR102J	R 902	(A,14,104)	RS1/16SS393J	
R 665	(A,86,48)	RS1/16SS0R0J	RS1/16SS0R0J	R 911	(A,13,110)	RS1/16SS102J	
R 701	(A,102,50)	RS1/16SS472J	RS1/16SS472J	R 912	(A,13,112)	RS1/16SS473J	
R 702	(A,100,47)	RS1/16SS473J	RS1/16SS473J	R 921	(A,145,107)	RS1/16SS104J	
R 703	(A,107,31)	RS1/16SS472J	RS1/16SS472J	R 922	(A,142,110)	RS1/16SS103J	C
R 704	(A,107,32)	RS1/16SS472J	RS1/16SS472J	R 923	(A,144,108)	RS1/16SS473J	
R 705	(A,101,48)	RS1/16SS221J	RS1/16SS221J	R 924	(A,143,108)	RS1/16SS473J	
R 706	(A,106,38)	RS1/16SS221J	RS1/16SS221J	R 925	(A,129,128)	RS1/16SS472J	
R 707	(A,111,36)	RS1/16SS101J	RS1/16SS101J	R 926	(A,125,128)	RS1/4SA102J	
R 708	(A,105,36)	RS1/16SS221J	RS1/16SS221J	<b>CAPACITORS</b>			
R 709	(A,108,35)	RS1/16SS101J	RS1/16SS101J	C 101	(A,156,127) (E)	CKSRYB104K16	
R 710	(A,101,40)	RS1/16SS102J	RS1/16SS102J	C 106	(A,157,125) (E)	CKSSYB104K10	
R 711	(A,101,36)	RS1/16SS151J	RS1/16SS151J	C 151	(A,63,87)	CKSSYB104K10	
R 712	(A,101,35)	RS1/16SS101J	RS1/16SS101J	C 152	(A,64,85)	CKSSYB104K10	
R 713	(A,101,30)	RS1/16SS151J	RS1/16SS151J	C 161	(A,47,107)	CEVW221M16	D
R 714	(A,101,32)	RS1/16SS221J	RS1/16SS221J	C 162	(A,52,98)	CKSRYB105K16	
R 715	(A,120,32)	RS1/16SS104J	RS1/16SS104J	C 163	(A,56,92)	CKSRYB104K16	
R 716	(A,101,33)	RS1/16SS104J	RS1/16SS104J	C 165	(A,58,93)	CKSSYB103K16	
R 717	(A,101,39)	RS1/16SS104J	RS1/16SS104J	C 166	(A,56,86) 150 uF/6.3 V	CCH1804(P25)	
R 751	(A,17,95)	RS1/10SR821J	RS1/10SR821J	C 167	(A,61,91)	CCSRCH221J50	
R 753	(A,15,90)	RS1/16SS473J	RS1/16SS473J	C 182	(A,113,79) 10 uF	CCG1192	
R 754	(A,16,89)	RS1/16SS103J	RS1/16SS103J	C 183	(A,102,82)	CKSSYB103K16	
R 792	(A,101,57)	RAB4CQ103J	RAB4CQ103J	C 184	(A,104,82) 10 uF	CCG1192	
R 793	(A,104,57)	RAB4CQ103J	RAB4CQ103J	C 186	(A,100,82)	CKSRYB105K10	
R 801	(A,128,19)	RS1/10SR222J	RS1/10SR222J	C 187	(A,86,92)	CKSSYB104K10	
R 802	(A,114,17)	RS1/10SR222J	RS1/10SR222J	C 188	(A,81,94)	CKSSYB104K10	E
R 803	(A,110,18)	RS1/10SR222J	RS1/10SR222J	C 190	(A,97,94)	CKSRYB105K10	
R 804	(A,122,18)	RS1/10SR222J	RS1/10SR222J	C 191	(A,84,99)	CCSRCH222J50	
R 805	(A,115,17)	RS1/10SR222J	RS1/10SR222J	C 192	(A,85,100)	CCSRCH222J50	
R 808	(A,109,18)	RS1/10SR222J	RS1/10SR222J	C 196	(A,93,79)	CKSSYB681K50	
R 809	(A,122,23)	RS1/10SR104J	RS1/10SR104J	C 197	(A,122,75)	CKSSYB271K50	
R 810	(A,119,22)	RS1/10SR8R2J	RS1/10SR8R2J	C 201	(A,80,102)	CKSRYB105K10	
R 811	(A,118,22)	RS1/10SR8R2J	RS1/10SR8R2J	C 202	(A,80,106)	CKSRYB105K10	
R 812	(A,130,27)	RS1/16SS104J	RS1/16SS104J	C 203	(A,80,104)	CKSQYB225K10	
R 813	(A,131,27)	RS1/16SS104J	RS1/16SS104J	C 204	(A,105,104)	CKSRYB105K10	
R 814	(A,123,19)	RS1/10SR101J	RS1/10SR101J	C 209	(A,94,107)	CKSRYB224K16	F
R 816	(A,126,19)	RS1/10SR101J	RS1/10SR101J	C 210	(A,94,106)	CKSRYB224K16	
R 821	(A,42,23)	RS1/10SR1R0J	RS1/10SR1R0J	C 211	(A,72,116)	CKSRYB105K10	
R 822	(A,24,31)	RS1/4SA472J	RS1/4SA472J	C 212	(A,85,115)	CKSRYB105K10	
R 823	(A,21,29)	RS1/16SS103J	RS1/16SS103J				

1

2

3

4

**Circuit Symbol and No.****Part No.****Circuit Symbol and No.****Part No.**

C 213	(A,88,120) 10 uF	CCG1192	C 456	(A,68,67)	CEVW100M16
C 214	(A,86,122) 10 uF	CCG1192	C 457	(A,75,61)	CCSRCH221J50
C 215	(A,86,123)	CKSSYB104K10	C 458	(A,74,65)	CKSRYB105K10
C 216	(A,86,125) 10 uF	CCG1192	C 463	(A,83,51)	CKSSYB104K10
C 217	(A,89,127)	CKSSYB104K10	C 466	(A,88,59)	CEVW331M6R3
C 218	(A,91,127) 10 uF	CCG1192	C 501	(A,97,76) 10 uF	CCG1192
C 219	(A,72,119)	CKSRYB105K10	C 503	(A,102,75) 10 uF	CCG1192
C 220	(A,85,118)	CKSRYB105K10	C 504	(A,97,79) 10 uF	CCG1192
C 223	(A,85,111) (E)	CKSRYB105K10	C 506	(A,102,78) 10 uF	CCG1192
C 224	(A,72,113) (E)	CKSRYB105K10	C 507	(A,139,43)	CKSSYB104K10
C 225	(A,85,113) (E)	CKSRYB105K10	C 508	(A,139,45)	CKSSYB104K10
C 226	(A,72,114) (E)	CKSRYB105K10	C 509	(A,138,49)	CKSSYB104K10
C 227	(A,85,117)	CKSRYB105K10	C 510	(A,139,50)	CKSSYB104K10
C 228	(A,72,118)	CKSRYB105K10	C 511	(A,138,55)	CKSSYB104K10
C 229	(A,105,117) (E)	CKSRYB104K16	C 512	(A,139,56)	CKSSYB104K10
C 230	(A,100,126) (E)	CEVW470M16	C 513	(A,138,60)	CKSSYB104K10
C 231	(A,100,121) (E)	CKSRYB104K16	C 514	(A,139,61)	CKSSYB104K10
C 234	(A,81,126) (E)	CKSSYB102K50	C 515	(A,138,63)	CKSSYB103K16
C 235	(A,84,123)	CKSSYB102K50	C 516	(A,134,67)	CKSSYB104K10
C 301	(A,28,122) 10 uF(E,A)	CCG1192	C 519	(A,128,66)	CKSSYB104K10
C 302	(A,33,123) 10 uF(E,A)	CCG1192	C 520	(A,127,66)	CKSSYB104K10
C 303	(A,37,124) 10 uF(E)	CCG1192	C 521	(A,125,67)	CKSSYB104K10
C 304	(A,39,131) 10 uF(E)	CCG1192	C 522	(A,119,69)	CKSSYB104K10
C 305	(A,37,126) 10 uF	CCG1192	C 523	(A,124,71)	CCSSCH100D50
C 306	(A,38,129) 10 uF	CCG1192	C 524	(A,127,72)	CCSSCH100D50
C 351	(A,83,131)	CKSRYB474K10	C 525	(A,120,67)	CKSSYB104K10
C 352	(A,82,131)	CKSRYB474K10	C 526	(A,118,66)	CKSSYB104K10
C 353	(A,86,131)	CKSRYB474K10	C 527	(A,116,67)	CKSSYB104K10
C 354	(A,87,131)	CKSRYB474K10	C 528	(A,115,67)	CKSSYB104K10
C 355	(A,83,133)	CKSRYB474K16	C 529	(A,111,66)	CKSSYB104K10
C 356	(A,82,133)	CKSRYB474K16	C 530	(A,110,66)	CKSSYB104K10
C 357	(A,86,133)	CKSRYB474K16	C 531	(A,107,59)	CKSSYB104K10
C 358	(A,87,133)	CKSRYB474K16	C 532	(A,107,57)	CKSSYB104K10
C 361	(A,138,123) 3 300 uF/16 V	CCH1486	C 533	(A,107,53)	CKSSYB104K10
C 362	(A,67,138)	CKSRYB104K16	C 534	(A,107,52)	CKSSYB104K10
C 363	(A,77,135)	CKSQYB225K10	C 535	(A,107,48)	CKSSYB104K10
C 364	(A,73,135)	CKSQYB225K10	C 536	(A,107,46)	CKSSYB104K10
C 365	(A,75,132) 10 uF	CCG1236	C 537	(A,106,42)	CKSSYB104K10
C 367	(A,63,134) 10 uF	CCG1192	C 538	(A,107,40)	CKSSYB104K10
C 368	(A,89,131) (A,B)	CCSSCH220J50	C 539	(A,114,36)	CKSSYB104K10
C 369	(A,85,129) (A,B)	CCSSCH220J50	C 540	(A,118,35)	CKSSYB104K10
C 370	(A,80,129) (A,B)	CCSSCH220J50	C 541	(A,120,34)	CKSSYB104K10
C 371	(A,80,133) (A,B)	CCSSCH220J50	C 542	(A,125,36)	CKSSYB104K10
C 381	(A,51,130)	CEVW220M16	C 543	(A,130,35)	CKSSYB104K10
C 401	(A,158,104)	CKSSYB103K16	C 544	(A,131,36)	CKSSYB104K10
C 402	(A,156,104) 10 uF	CCG1192	C 545	(A,99,72)	CKSRYB105K10
C 404	(A,157,62) 4.7 uF	CCG1201	C 546	(A,138,71)	CKSSYB102K50
C 405	(A,156,62)	CKSSYB103K16	C 547	(A,105,71)	CCSSCH220J50
C 406	(A,154,62) 10 uF	CCG1192	C 548	(A,88,35) (E)	CKSRYB104K16
C 407	(A,156,76)	CKSRYB103K50	C 549	(A,106,44)	CCSSCH120J50
C 408	(A,158,48) (E)	CKSSYB122K50	C 550	(A,103,48)	CCSSCH120J50
C 409	(A,158,50) (E)	CKSSYB122K50	C 551	(A,113,75)	CCSSCH220J50
C 410	(A,156,74) 10 uF	CCG1192	C 552	(A,113,73)	CCSSCH220J50
C 431	(A,159,34)	CKSQYB475K6R3	C 553	(A,116,76)	CCSSCH220J50
C 432	(A,157,32)	CKSSYB103K16	C 554	(A,121,34)	CCSSCH220J50
C 433	(A,163,34) 4.7 uF	CCG1201	C 555	(A,122,31)	CCSSCH220J50
C 451	(A,63,53)	CKSRYB105K10	C 556	(A,123,30)	CCSSCH220J50
C 452	(A,68,53)	CKSRYB105K10	C 557	(A,124,30)	CCSSCH220J50
C 454	(A,65,62)	CCSRCH471J50	C 558	(A,125,30)	CCSSCH220J50
C 455	(A,72,54)	CCSRCH471J50	C 559	(A,126,30)	CCSSCH220J50

1

2

3

4

	5	6
	<u>Circuit Symbol and No.</u>	<u>Part No.</u>
C 560	(A,127,30)	CCSSCH220J50
C 561	(A,128,30)	CCSSCH220J50
C 562	(A,129,30)	CCSSCH220J50
C 563	(A,130,30)	CCSSCH220J50
C 564	(A,131,30)	CCSSCH220J50
C 565	(A,133,30)	CCSSCH220J50
C 566	(A,133,31)	CCSSCH220J50
C 567	(A,133,32)	CCSSCH220J50
C 568	(A,135,36)	CCSSCH220J50
C 569	(A,133,33)	CCSSCH220J50
C 571	(A,140,41) 10 uF	CCG1192
C 572	(A,142,41)	CKSSYB104K10
C 574	(A,144,65)	CKSSYB103K16
C 581	(A,48,75) 10 uF	CCG1192
C 583	(A,64,79) 10 uF	CCG1192
C 585	(A,66,78) 10 uF	CCG1192
C 588	(A,70,74) 10 uF	CCG1192
C 591	(A,108,23)	CKSSYB104K10
C 592	(A,102,19)	CKSSYB104K10
C 601	(A,108,91) 10 uF	CCG1192
C 603	(A,116,90) 4.7 uF	CCG1201
C 604	(A,110,102)	CCSSCH120J50
C 605	(A,110,100)	CCSSCH100D50
C 606	(A,119,96)	CKSSYB104K10
C 608	(A,140,96)	CKSSYB104K10
C 609	(A,142,99)	CCSSCH470J50
C 612	(A,143,102)	CCSSCH470J50
C 651	(A,117,110)	CKSRYB105K10
C 703	(A,101,31)	CCSSCH470J50
C 705	(A,101,38)	CCSSCH470J50
C 706	(A,120,31)	CKSSYB103K16
C 751	(A,22,84) 10 uF	CCG1192
C 754	(A,19,92)	CKSSYB473K16
C 801	(A,101,14)	CKSSYB104K10
C 831	(A,16,47)	CKSRYB473K50
C 832	(A,96,9)	CKSRYB105K10
C 842	(A,98,12)	CKSRYB105K10
C 851	(A,33,46) (E)	CCSRCH471J50
C 852	(A,33,53) (E)	CKSRYB223K50
C 854	(A,41,50) (E)	CEVW470M16
C 855	(A,42,41) 10 uF(E)	CCG1236
C 856	(A,25,52) (E)	CKSRYB104K16
C 857	(A,23,44) (E)	CEVW101M16
C 881	(A,41,58)	CEVW470M16
C 882	(A,59,53)	CKSRYB105K10
C 883	(A,40,66)	CKSRYB103K50
C 884	(A,38,65)	CKSYB475K16
C 891	(A,19,63)	CEVW470M16
C 892	(A,21,70)	CKSRYB103K50
C 893	(A,30,64)	CEVW101M16
C 901	(A,23,97)	CEAT102M16
C 902	(A,18,104)	CKSSYB103K16
C 904	(A,13,99) 10 uF	CCG1192
C 905	(A,19,78)	CKSQYB475K6R3
C 907	(A,19,74)	CKSQYB475K6R3
C 911	(A,33,114)	CEVW221M16
C 913	(A,18,115)	CEVW101M16
C 921	(A,129,130)	CKSRYB104K16
C 941	(A,110,129)	CKSRYB473K50



Unit Number : CWX3774

Unit Name : CD Core Unit (S11STD-DOUT)

**MISCELLANEOUS**

	7	8
	<u>Circuit Symbol and No.</u>	<u>Part No.</u>
IC 201	(A,28,33) IC	PE5706A
IC 301	(A,64,27) IC	BA5839FP
Q 101	(B,8,56) Transistor	2SA1577
Q 102	(B,21,51) Digital TR(PNP)	UNR511MG
X 201	(A,15,27) Ceramic Resonator	16.934 MHz CSS1603
S 901	(A,42,53) Switch	CSN1067
S 903	(B,21,12) Switch	CSN1068
S 905	(B,11,25) Switch	CSN1068
CN101	(A,16,58) Connector	CKS4808
CN701	(A,37,10) Connector	CKS6146

**RESISTORS**

	7	8
	<u>Circuit Symbol and No.</u>	<u>Part No.</u>
R 101	(B,6,59)	RS1/10SR2R4J
R 102	(B,7,59)	RS1/10SR2R4J
R 103	(B,8,59)	RS1/10SR2R7J
R 108	(B,19,53)	RS1/16SS105J
R 109	(B,11,52)	RS1/16SS222J
R 214	(A,38,41)	RS1/16SS103J
R 215	(A,38,40)	RS1/16SS393J
R 216	(A,30,44)	RS1/16SS122J
R 217	(A,33,46)	RS1/16SS562J
R 218	(A,30,46)	RS1/16SS472J
R 225	(A,33,23)	RS1/16SS0R0J
R 229	(A,31,44)	RS1/16SS471J
R 232	(A,19,21)	RS1/16SS0R0J
R 235	(A,45,32)	RS1/16SS103J
R 236	(A,46,32)	RS1/16SS103J
R 237	(B,24,25)	RS1/16SS221J
R 240	(B,26,30)	RS1/16SS473J
R 245	(B,28,30)	RS1/16SS104J
R 253	(B,27,30)	RS1/16SS104J
R 254	(B,29,30)	RS1/16SS104J
R 260	(B,41,21)	RS1/16SS103J
R 262	(A,44,32)	RS1/16SS472J
R 263	(A,47,32)	RS1/16SS472J
R 264	(A,44,25)	RS1/16SS102J
R 281	(A,31,22)	RS1/16SS560J
R 282	(A,30,22)	RS1/16SS560J
R 283	(B,32,18)	RS1/16SS0R0J
R 291	(B,31,17)	RS1/16SS560J
R 292	(B,32,16)	RS1/16SS0R0J
R 293	(B,32,11)	RS1/16SS0R0J
R 294	(A,18,28)	RS1/16SS471J
R 296	(B,32,30)	RS1/16SS0R0J
R 299	(B,31,13)	RS1/16SS0R0J
R 305	(A,60,34)	RS1/16SS183J
R 306	(A,61,37)	RS1/16SS183J
R 307	(A,58,34)	RS1/16SS183J
R 308	(A,58,36)	RS1/16SS183J
R 701	(B,37,21)	RS1/16SS101J
R 702	(B,38,20)	RS1/16SS101J
R 706	(B,43,11)	RS1/16SS221J

1

2

3

4

**Circuit Symbol and No.****Part No.****Circuit Symbol and No.****Part No.**

R 708 (A,40,22)  
R 709 (A,40,21)  
R 722 (B,37,22)

RS1/16SSOR0J  
RS1/16SSOR0J  
RS1/16SSOR0J

D 1836 (A,9,13) LED(E,A)  
(A,9,13) LED(B)  
D 1837 (A,20,14) LED(E,A)  
(A,20,14) LED(B)

CL-195SR-CD  
CL-197HB1-D(CDE)  
CL-195SR-CD  
CL-197HB1-D(CDE)

A

**CAPACITORS**

C 104 (B,11,55) CKSQYB475K6R3  
C 203 (A,18,35) CKSSYB104K10  
C 209 (A,17,28) CKSRYB104K16  
C 210 (A,21,21) CKSSYB104K10  
C 211 (A,24,23) CKSSYB104K10

D 1838 (A,31,14) LED(E,A)  
(A,31,14) LED(B)  
D 1839 (A,78,9) LED(E,A)  
(A,78,9) LED(B)  
D 1840 (A,88,9) LED(E,A)  
(A,88,9) LED(B)

CL-195SR-CD  
CL-197HB1-D(CDE)  
CL-195SR-CD  
CL-197HB1-D(CDE)  
CL-195SR-CD  
CL-197HB1-D(CDE)

C 212 (A,38,33) CKSSYB104K10  
C 213 (A,40,41) CKSSYB332K50  
C 214 (A,40,40) CKSSYB473K10  
C 215 (A,38,37) CKSSYB104K10  
C 216 (A,36,46) CKSSYB182K50

D 1841 (A,102,9) LED(E,A)  
(A,102,9) LED(B)  
D 1842 (A,112,9) LED(E,A)  
(A,112,9) LED(B)  
D 1843 (A,126,9) LED(E,A)  
(A,126,9) LED(B)

CL-195SR-CD  
CL-197HB1-D(CDE)  
CL-195SR-CD  
CL-197HB1-D(CDE)  
CL-195SR-CD  
CL-197HB1-D(CDE)

B

C 217 (A,31,46) CCSSCH560J50  
C 218 (A,29,46) CCSSCH4R0C50  
C 219 (A,32,43) CKSSYB104K10  
C 220 (B,32,41) CKSSYB104K10  
C 221 (A,35,43) CKSSYB104K10

D 1844 (A,136,9) LED(E,A)  
(A,136,9) LED(B)  
D 1845 (A,44,25) LED(E,A)  
(A,44,25) LED(B)  
D 1846 (A,65,29) LED(E,A)  
LED(B)

CL-195SR-CD  
CL-197HB1-D(CDE)  
CL-195SR-CD  
CL-197HB1-D(CDE)  
CL-195SR-CD  
CL-197HB1-D(CDE)

C 222 (A,29,43) CKSSYB104K10  
C 223 (A,25,44) CCSSCH680J50  
C 224 (A,23,44) CCSSCH470J50  
C 225 (A,20,43) CKSSYB103K16  
C 228 (A,32,46) CCSSCH270J50

D 1866 (A,145,30) LED(E,A)  
(A,145,30) LED(B)  
D 1901 (B,99,32) Diode  
L 1901 (B,80,29) Inductor  
X 1901 (B,88,31) Radiator 10.0 MHz

CL-195SR-CD  
CL-197HB1-D(CDE)  
1SS355  
CTF1379  
CSS1577

C

C 229 (B,28,40) CKSSYB104K10  
C 231 (B,44,28) CKSSYB102K50  
C 232 (B,45,28) CKSSYB102K50  
C 233 (B,25,25) CKSSYB103K16  
C 236 (B,26,41) CKSSYB104K10

S 1801 (A,6,37) Push Switch  
S 1811 (A,56,21) Switch  
S 1871 (A,12,7) Push Switch  
S 1872 (A,23,8) Push Switch  
S 1873 (A,35,8) Push Switch

CSG1155  
CSX1120  
CSG1155  
CSG1155  
CSG1155

C 238 (A,15,35) CKSRYB104K16  
C 299 (A,17,33) CKSSYB104K10  
C 304 (A,60,35) CKSSYB472K25  
C 305 (A,58,35) CKSSYB223K16  
C 306 (A,68,20) CKSRYB105K10

S 1874 (A,73,8) Push Switch  
S 1875 (A,92,8) Push Switch  
S 1876 (A,140,8) Push Switch  
S 1877 (A,22,35) Push Switch  
S 1878 (A,34,34) Push Switch

CSG1155  
CSG1155  
CSG1155  
CSG1155  
CSG1155

D

C 710 (B,43,10) CKSSYB102K50

S 1879 (A,96,8) Push Switch  
S 1880 (A,116,8) Push Switch  
S 1881 (A,121,8) Push Switch  
S 1882 (A,150,43) Push Switch  
CN1801 (B,109,11) Connector

CSG1155  
CSG1155  
CSG1155  
CSG1155  
CKS6049

**D****Unit Number : YWM5476(E)****Unit Number : YWM5472(A)****Unit Number : YWM5473(B)****Unit Name : KEYBOARD ASSY**

CN1802 (A,155,27) Connector  
CN1921 (A,99,23) Connector  
JA 1801 (A,154,11) Jack  
OEL Module

YKS5036  
CKS6036  
YKN5006  
MXS4013

**MISCELLANEOUS**

IC 1891 (A,145,19) Remote IC GP1UXC14RK  
IC 1901 (B,88,24) IC PEG642A8  
Q 1833 (A,131,29) Chip Transistor DTC124EUA  
D 1804 (B,88,15) Diode MC2848-11  
D 1805 (B,92,16) Diode MC2846-11

**RESISTORS**

R 1804 (B,89,13) RS1/10SR222J  
R 1805 (B,91,18) RS1/10SR222J  
R 1811 (B,71,19) RS1/10SR102J  
R 1812 (B,48,14) RS1/10SR102J  
R 1813 (B,50,14) RS1/10SR103J

D 1831 (A,153,40) LED(E,A) CL-195SR-CD  
(A,153,40) LED(B) CL-197HB1-D(CDE)  
D 1833 (A,8,30) LED(E,A) CL-195SR-CD  
(A,8,30) LED(B) CL-197HB1-D(CDE)  
D 1834 (A,19,30) LED(E,A) CL-195SR-CD  
(A,19,30) LED(B) CL-197HB1-D(CDE)

R 1814 (B,69,14) RS1/10SR122J  
R 1815 (B,63,28) RS1/10SR182J  
R 1816 (B,47,30) RS1/10SR332J  
R 1817 (B,47,28) RS1/10SR822J  
R 1818 (B,43,29) RS1/10SR103J

F

D 1835 (A,31,29) LED(E,A) CL-195SR-CD  
(A,31,29) LED(B) CL-197HB1-D(CDE)

R 1831 (B,151,40) (E,A) RS1/4SA271J  
R 1832 (B,157,40) (E,A) RS1/4SA561J

1

2

3

4

5  
**Circuit Symbol and No.**

6  
**Part No.**

R 1835	(B,14,25) (E,A)	RS1/4SA331J
R 1837	(B,16,11) (E,A)	RS1/4SA331J
R 1838	(B,68,10) (E,A)	RS1/4SA331J
R 1839	(B,121,24) (E,A)	RS1/4SA331J
R 1840	(B,32,28) (E,A)	RS1/4SA471J
R 1851	(B,153,42) (B)	RS1/10SR821J
R 1859	(B,44,9)	RS1/10SR0R0J
R 1861	(A,142,29) (E,A)	RS1/10SR121J
	(A,142,29) (B)	RS1/10SR390J
R 1862	(B,30,29) (B)	RS1/10SR222J
R 1863	(B,123,25) (B)	RS1/10SR821J
R 1864	(B,69,11) (B)	RS1/10SR821J
R 1865	(B,12,18) (B)	RS1/10SR152J
R 1866	(B,14,30) (B)	RS1/10SR152J
R 1871	(A,7,9)	RS1/10SR103J
R 1872	(A,16,8)	RS1/10SR122J
R 1873	(A,31,9)	RS1/10SR182J
R 1874	(A,40,9)	RS1/10SR332J
R 1875	(A,82,10)	RS1/10SR822J
R 1876	(A,120,23)	RS1/10SR333J
R 1877	(A,18,34)	RS1/10SR103J
R 1878	(A,27,34)	RS1/10SR122J
R 1879	(A,39,33)	RS1/10SR182J
R 1880	(A,119,28)	RS1/10SR332J
R 1881	(A,123,20)	RS1/10SR822J
R 1882	(A,124,18)	RS1/10SR333J
R 1891	(B,134,24)	RS1/10SR121J
R 1893	(B,138,25)	RS1/10SR2R2J
R 1901	(B,76,29)	RS1/10SR473J
R 1902	(B,95,32)	RS1/10SR154J
R 1903	(B,82,32)	RS1/10SR473J
R 1904	(B,100,20)	RS1/10SR473J
R 1905	(B,100,22)	RS1/10SR473J
R 1906	(A,110,29)	RS1/10SR473J
R 1907	(A,111,31)	RS1/10SR473J
R 1908	(B,87,17)	RS1/10SR103J
R 1909	(B,72,22)	RS1/10SR102J
R 1910	(B,76,25)	RS1/10SR473J
R 1922	(A,90,22)	RS1/10SR5102D
R 1924	(A,108,26)	RAB4C101J
R 1925	(B,96,23)	RAB4C101J
R 1942	(B,16,26) (E,A)	RS1/10SR151J
R 1943	(B,14,21) (E,A)	RS1/10SR151J
R 1944	(B,72,9) (E,A)	RS1/10SR151J
R 1945	(B,123,22) (E,A)	RS1/10SR151J
R 1946	(B,37,31) (E,A)	RS1/10SR221J
R 1949	(B,156,42) (B)	RS1/10SR152J

**CAPACITORS**

C 1801	(B,147,33)	CKSRYB104K16
C 1802	(B,148,17)	CKSRYB472K50
C 1803	(B,146,15)	CKSRYB472K50
C 1807	(B,102,32)	CKSRYB105K10
C 1891	(B,139,21)	CKSYF106Z10
C 1901	(B,100,30)	CKSRYB104K16
C 1902	(B,83,25)	CKSRYB105K10
C 1921	(A,90,26)	CKSRYB105K10
C 1922	(A,90,24)	CKSRYB105K10
C 1923	(B,100,23)	CKSRYB104K16

7  
**Circuit Symbol and No.**

8  
**Part No.**

**Miscellaneous Parts List**

M 1	Motor Unit(SPDL)	CXE2273
M 2	Motor Unit(LOAD/CRG)	CXC4026
	Pickup Unit(S10.5)(Service)	CXX1942

A

B

C

D

E

F