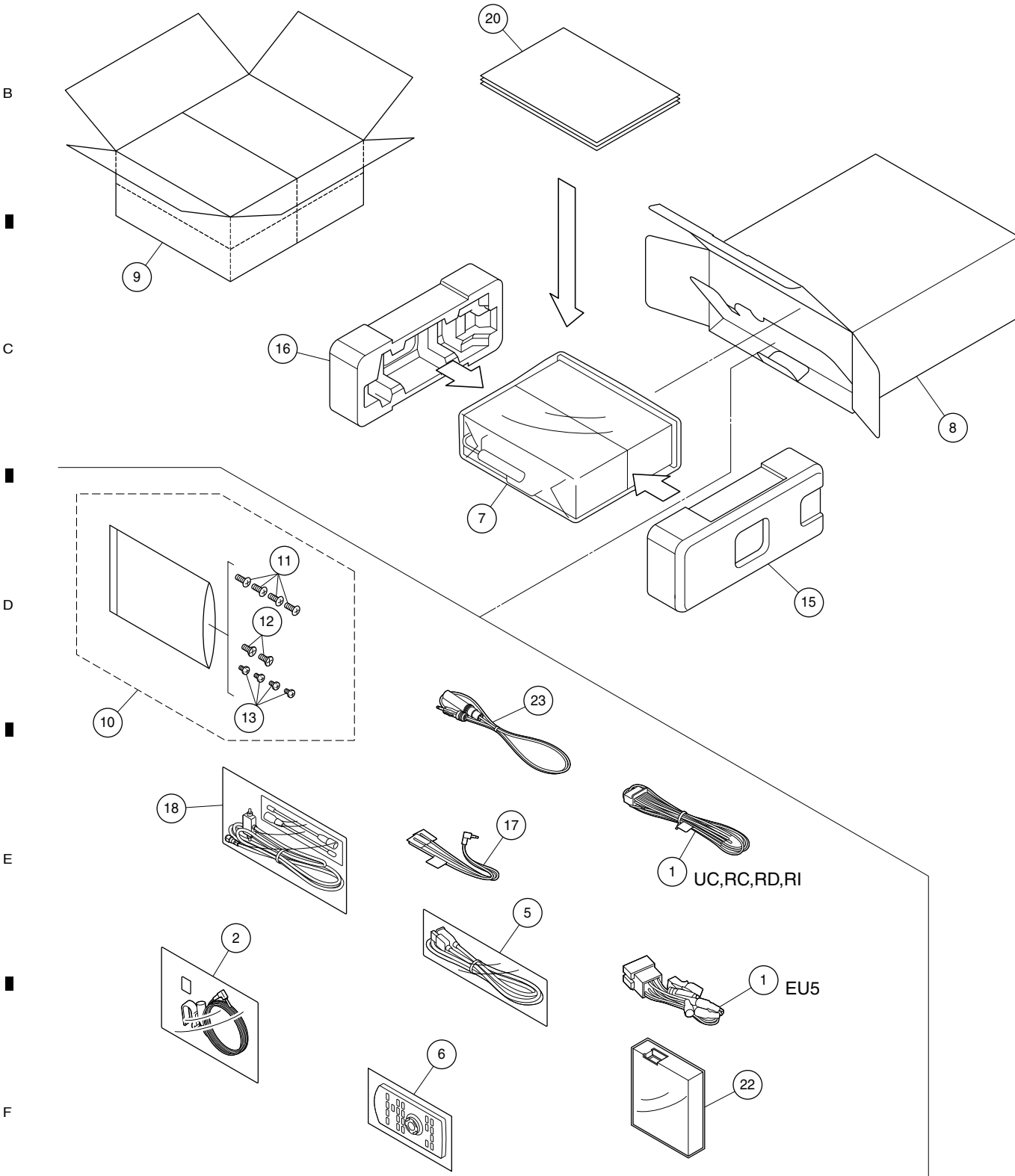


9. EXPLODED VIEWS AND PARTS LIST

NOTES : • Parts marked by "*" are generally unavailable because they are not in our Master Spare Parts List.

- The \triangle mark found on some component parts indicates the importance of the safety factor of the part. Therefore, when replacing, be sure to use parts of identical designation.
- Screw adjacent to ∇ mark on the product are used for disassembly.
- For the applying amount of lubricants or glue, follow the instructions in this manual. (In the case of no amount instructions, apply as you think it appropriate.)

9.1 PACKING



(1) PACKING SECTION PARTS LIST

<u>Mark No.</u>	<u>Description</u>	<u>Part No.</u>	<u>Mark No.</u>	<u>Description</u>	<u>Part No.</u>	
1	Cord Assy	See Contrast table (2)	15	Protector	CHP4684	
2	Microphone Assy (3 m)	CPM1113				
3		16	Protector	CHP4685	
4		17	Cord Assy	See Contrast table (2)	
5	USB Extended Cable	CDP1587	18	Rod Antenna	See Contrast table (2)	
			19		
6	Card Remote Control Unit	See Contrast table (2)	* 20-1	Warranty Card	See Contrast table (2)	
7	Cover	See Contrast table (2)				
8	Unit Box	See Contrast table (2)	20-2	Owner's Manual	See Contrast table (2)	
9	Contain Box	See Contrast table (2)	20-3	Installation Manual	See Contrast table (2)	
*	10	Screw Assy	CEV5887	20-4	Quick Start Guide	See Contrast table (2)
			21		
11	Screw	BMZ50P060FTC	22	Polyethylene Bag	See Contrast table (2)	
12	Screw	CMZ50P060FTC				
13	Screw (M4 x 3)	CBA1870	23	Cord Assy	See Contrast table (2)	
14					

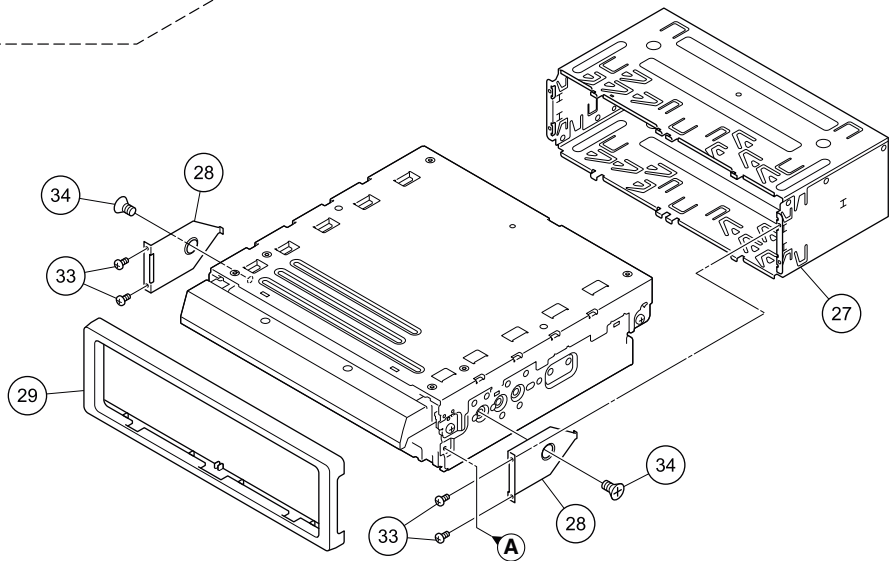
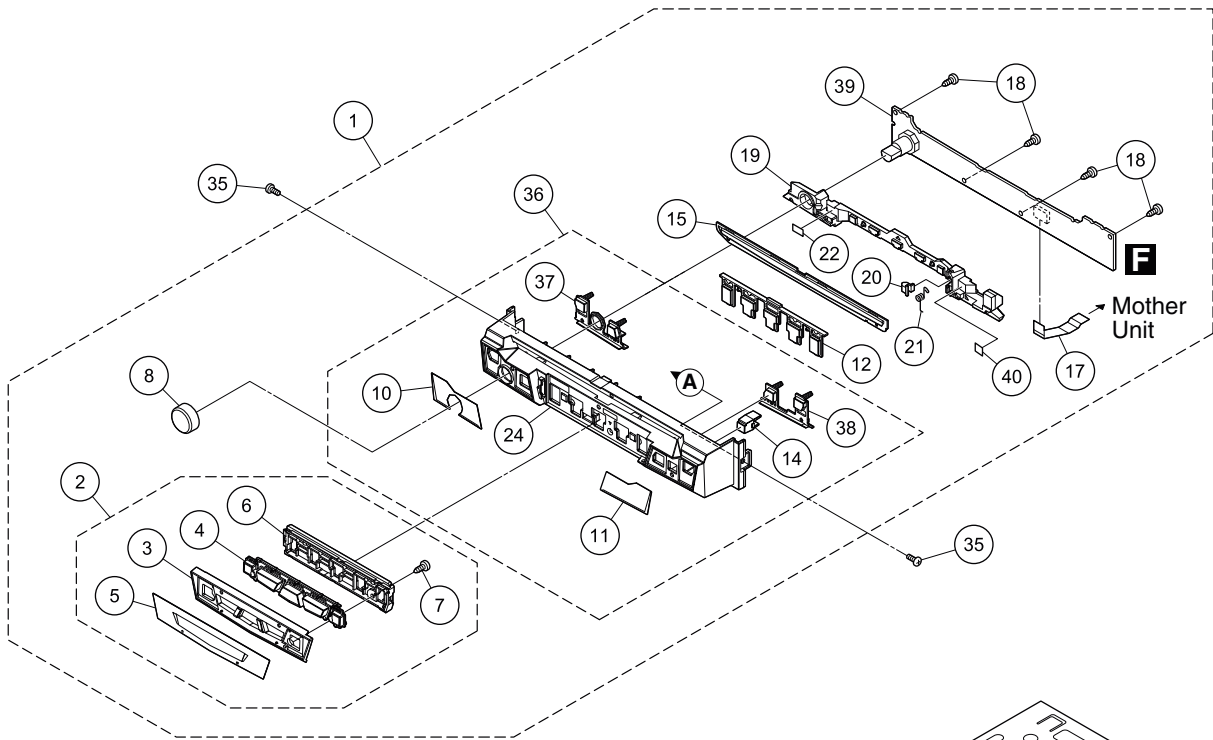
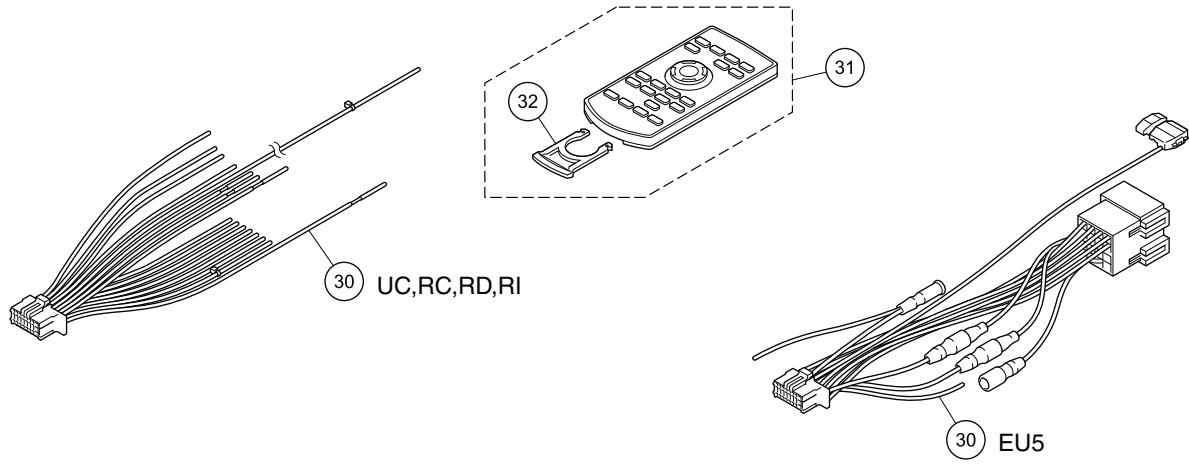
(2) CONTRAST TABLE

AVH-3500NEX/XNUC, AVH-Z7200DAB/XNEU5, AVH-Z7250BT/XNRC, AVH-Z7250TV/XNRD, AVH-Z7250BT/XNRD and AVH-Z7250BT/XNR1 are constructed the same except for the following:

Mark	No.	Description	AVH-3500NEX/XNUC	AVH-Z7200DAB/XNEU5	AVH-Z7250BT/XNRC
	1	Cord Assy	CDP1665	CDP1670	CDP1665
	6	Card Remote Control Unit	CXE5116	Not used	CXE5116
	7	Cover	CEG1544	CEG1474	CEG1474
	8	Unit Box	QHG4500	QHG4497	QHG4501
	9	Contain Box	QHL4500	QHL4497	QHL4501
	17	Cord Assy	Not used	Not used	CDP1894
	18	Rod Antenna	Not used	Not used	Not used
*	20-1	Warranty Card	QRY3001	CRY1376	Not used
	20-2	Owner's Manual	See Contents of Web IM (3)	See Contents of Web IM (3)	QRD3693
	20-3	Installation Manual	QRD3692	QRD3679	Not used
	20-4	Quick Start Guide	QRD3670	QRD3669	Not used
	22	Polyethylene Bag	Not used	CEG1116	Not used
	23	Cord Assy	Not used	CDH1406	Not used

Mark	No.	Description	AVH-Z7250TV/XNRD	AVH-Z7250BT/XNRD	AVH-Z7250BT/XNR1
	1	Cord Assy	CDP1665	CDP1665	CDP1665
	6	Card Remote Control Unit	CXE5116	CXE5116	CXE5116
	7	Cover	CEG1474	CEG1474	CEG1474
	8	Unit Box	QHG4498	QHG4502	QHG4503
	9	Contain Box	QHL4498	QHL4502	QHL4503
	17	Cord Assy	Not used	Not used	CDP1894
	18	Rod Antenna	CXE9491	Not used	Not used
*	20-1	Warranty Card	Not used	Not used	Not used
	20-2	Owner's Manual	QRD3691	QRD3694	QRD3695
	20-3	Installation Manual	Not used	Not used	Not used
	20-4	Quick Start Guide	Not used	Not used	Not used
	22	Polyethylene Bag	Not used	Not used	Not used
	23	Cord Assy	Not used	Not used	Not used

9.2 EXTERIOR (1)



(1) EXTERIOR (1) SECTION PARTS LIST

<u>Mark No.</u>	<u>Description</u>	<u>Part No.</u>	<u>Mark No.</u>	<u>Description</u>	<u>Part No.</u>
	1 Grille Assy	See Contrast table (2)	21	Spring	CBH2997
A	2 Detach Grille Assy	CXE9983	22	Sheet	CNN5347
	3 Grille	CNU3725	23	••••	
	4 Button (MODE, HOME, MENU)	CAI4871	* 24	Grille Unit	CXE9977
	5 Plate	CNN5340	25	••••	
	6 Cover	CNU3753	26	••••	
	7 Screw (M2 x 6)	CBA2132	27	Holder	CND3854
	8 Knob Unit	CXE5949	28	Bracket	CND3855
	9 ••••		29	Panel	CNU2269
*	10 Plate	CNN5341	30	Cord Assy	See Contrast table (2)
B	* 11 Plate	See Contrast table (2)	31	Card Remote Control Unit	See Contrast table (2)
	12 Button	CAI4872	32	Battery Cover	See Contrast table (2)
	13 ••••		33	Screw	BMZ20P025FTC
*	14 Lighting Conductor	CNW3808	34	Screw	CMZ50P060FTC
	15 Cover	CNN4266	35	Screw	ISS26P055FTC
	16 ••••		36	Sub Grille Assy	See Contrast table (2)
	17 FFC	CDD1065	* 37	Button (FF, REV)	CAI4873
	18 Screw	BPZ20P060FTC	* 38	Button (EJECT)	CAI4874
	19 Lighting Conductor	CNW3807	39	Keyboard Unit	QWM5215
C	20 Arm	CNV9891	40	Sheet	CNN5491

(2) CONTRAST TABLE

AVH-3500NEX/XNUC, AVH-Z7200DAB/XNEU5, AVH-Z7250BT/XNRC, AVH-Z7250TV/XNRD, AVH-Z7250BT/XNRD and AVH-Z7250BT/XNRI are constructed the same except for the following:

<u>Mark</u>	<u>No.</u>	<u>Description</u>	<u>AVH-3500NEX/XNUC</u>	<u>AVH-Z7200DAB/XNEU5</u>	<u>AVH-Z7250BT/XNRC</u>
*	1	Grille Assy	QXA5963	QXA5960	QXA5964
	11	Plate	QNM3260	QNM3257	QNM3261
	30	Cord Assy	CDP1665	CDP1670	CDP1665
	31	Card Remote Control Unit	CXE5116	Not used	CXE5116
	32	Battery Cover	CNU1624	Not used	CNU1624
	36	Sub Grille Assy	QXA5984	QXA5981	QXA5985

<u>Mark</u>	<u>No.</u>	<u>Description</u>	<u>AVH-Z7250TV/XNRD</u>	<u>AVH-Z7250BT/XNRD</u>	<u>AVH-Z7250BT/XNRI</u>
*	1	Grille Assy	QXA5961	QXA5964	QXA5964
	11	Plate	QNM3258	QNM3261	QNM3261
	30	Cord Assy	CDP1665	CDP1665	CDP1665
	31	Card Remote Control Unit	CXE5116	CXE5116	CXE5116
	32	Battery Cover	CNU1624	CNU1624	CNU1624
	36	Sub Grille Assy	QXA5982	QXA5985	QXA5985

(1) EXTERIOR (2) SECTION PARTS LIST

<u>Mark No.</u>	<u>Description</u>	<u>Part No.</u>	<u>Mark No.</u>	<u>Description</u>	<u>Part No.</u>
1	Monitor Unit	QWM5214	13	Bracket	CND6668
2	Touch Panel Assy	CXE9691	14	Bracket	CND6669
3	Touch Panel	CSX1358	15	Bracket	CND6667
4	Cushion	CNN4271			
5	Cushion	CNN4272	16	Insulator	CNN2764
			17	Cover	CNU3032
6	Grille	See Contrast table (2)	18	Sheet	CNN4437
7	TFT LCD	CWX4352	19	FPC	CNQ7214
8	Sheet	CNN1694	20	FFC	CDD1066
9	Insulator	CNN4259			
10	Sheet	CNN1750	21	Screw	BMZ20P025FTC
			22	Screw	BSZ26P060FTC
11	Gasket	CNN5244	23	Screw (M2 x 2)	CBA1872
12	DVD Mechanism Module (MS7.3)	CXK6920			

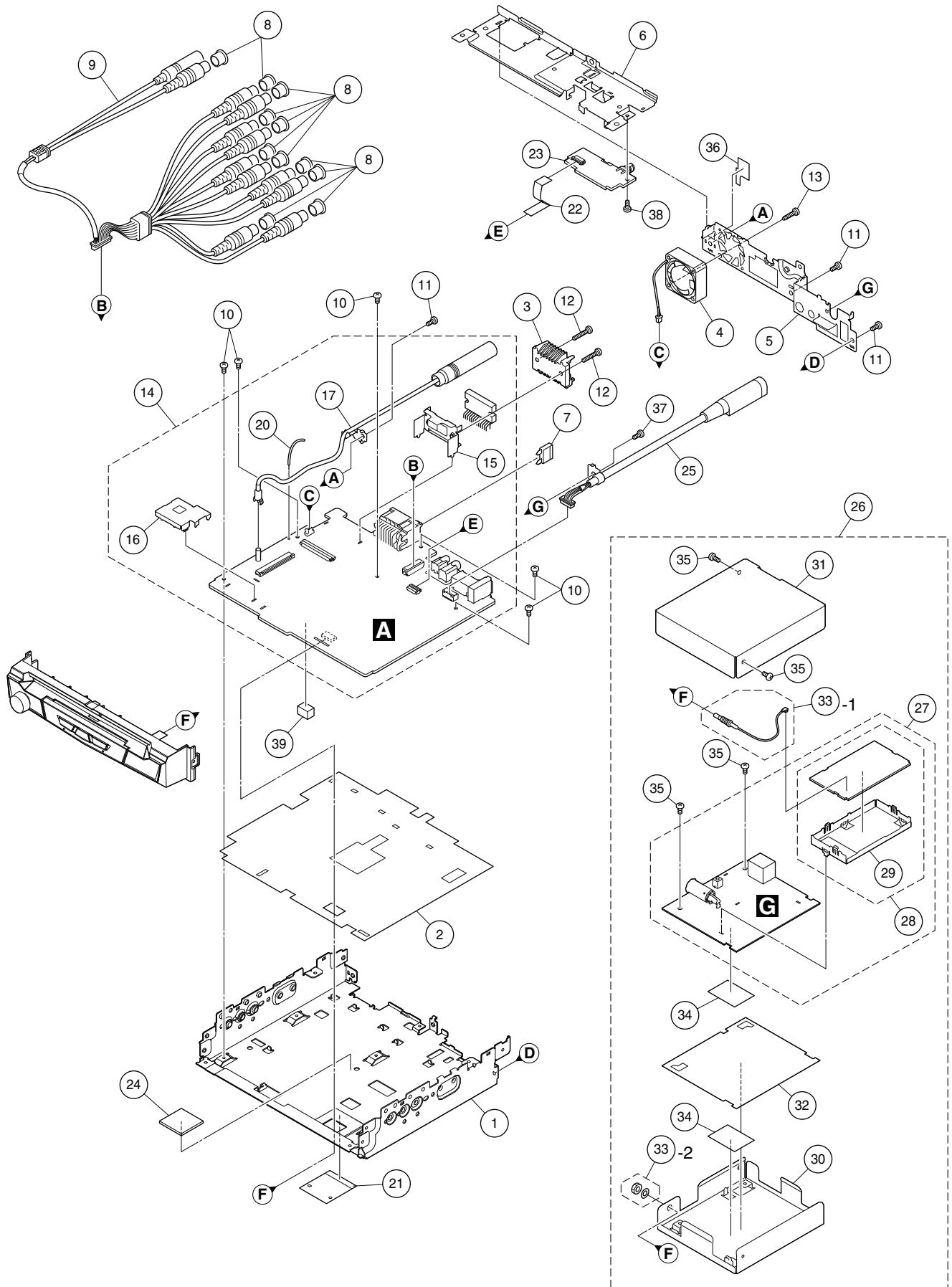
(2) CONTRAST TABLE

AVH-3500NEX/XNUC, AVH-Z7200DAB/XNEU5, AVH-Z7250BT/XNRC, AVH-Z7250TV/XNRD, AVH-Z7250BT/XNRD and AVH-Z7250BT/XNRI are constructed the same except for the following:

Mark	No.	Description	AVH-3500NEX/XNUC	AVH-Z7200DAB/XNEU5	AVH-Z7250BT/XNRC
	6	Grille	QNS4412	CNU3723	QNS4411

Mark	No.	Description	AVH-Z7250TV/XNRD	AVH-Z7250BT/XNRD	AVH-Z7250BT/XNRI
	6	Grille	QNS4411	QNS4411	QNS4411

9.4 EXTERIOR (3)



A
B
C
D
E
F

(1) EXTERIOR (3) SECTION PARTS LIST

<u>Mark No.</u>	<u>Description</u>	<u>Part No.</u>	<u>Mark No.</u>	<u>Description</u>	<u>Part No.</u>
	1 Chassis	CNA3407	21	Sheet	CNN4834
A	2 Insulator	See Contrast table (2)	22	FFC	See Contrast table (2)
	3 Heat Sink	CNR2177	23	DTT Tuner	See Contrast table (2)
	4 Fan Motor	CXM1460	24	Heat Conducting Sheet	CNN5364
	5 Holder	See Contrast table (2)	25	Cord Assy	See Contrast table (2)
	6 Holder	CND7195	26	DAB Box Assy	See Contrast table (2)
	⚠ 7 Fuse (10 A)	YEK5001	27	DAB Box Unit	See Contrast table (2)
	8 Cap	CNV6727	28	WWR Unit (U3101)	See Contrast table (2)
	9 Cord Assy	CDF1179	29	Shield Case	See Contrast table (2)
	10 Screw	BMZ26P040FTC	30	Chassis	See Contrast table (2)
B	11 Screw	BSZ26P060FTC	31	Case	See Contrast table (2)
	12 Screw	BSZ26P160FTC	32	Insulator	See Contrast table (2)
	13 Screw	BPZ26P080FTC	33	Antenna Cable Assy	See Contrast table (2)
	14 Mother Unit	See Contrast table (2)	34	EMI Absorb Sheet	See Contrast table (2)
	15 Holder	CND6671	35	Screw	See Contrast table (2)
	16 Shield Case	See Contrast table (2)	36	Plate	See Contrast table (2)
	17 Antenna Cable	See Contrast table (2)	37	Screw	See Contrast table (2)
	18		38	Screw	See Contrast table (2)
	19		39	Gasket	See Contrast table (2)
C	20 Clamper (CN8451)	See Contrast table (2)			

(2) CONTRAST TABLE

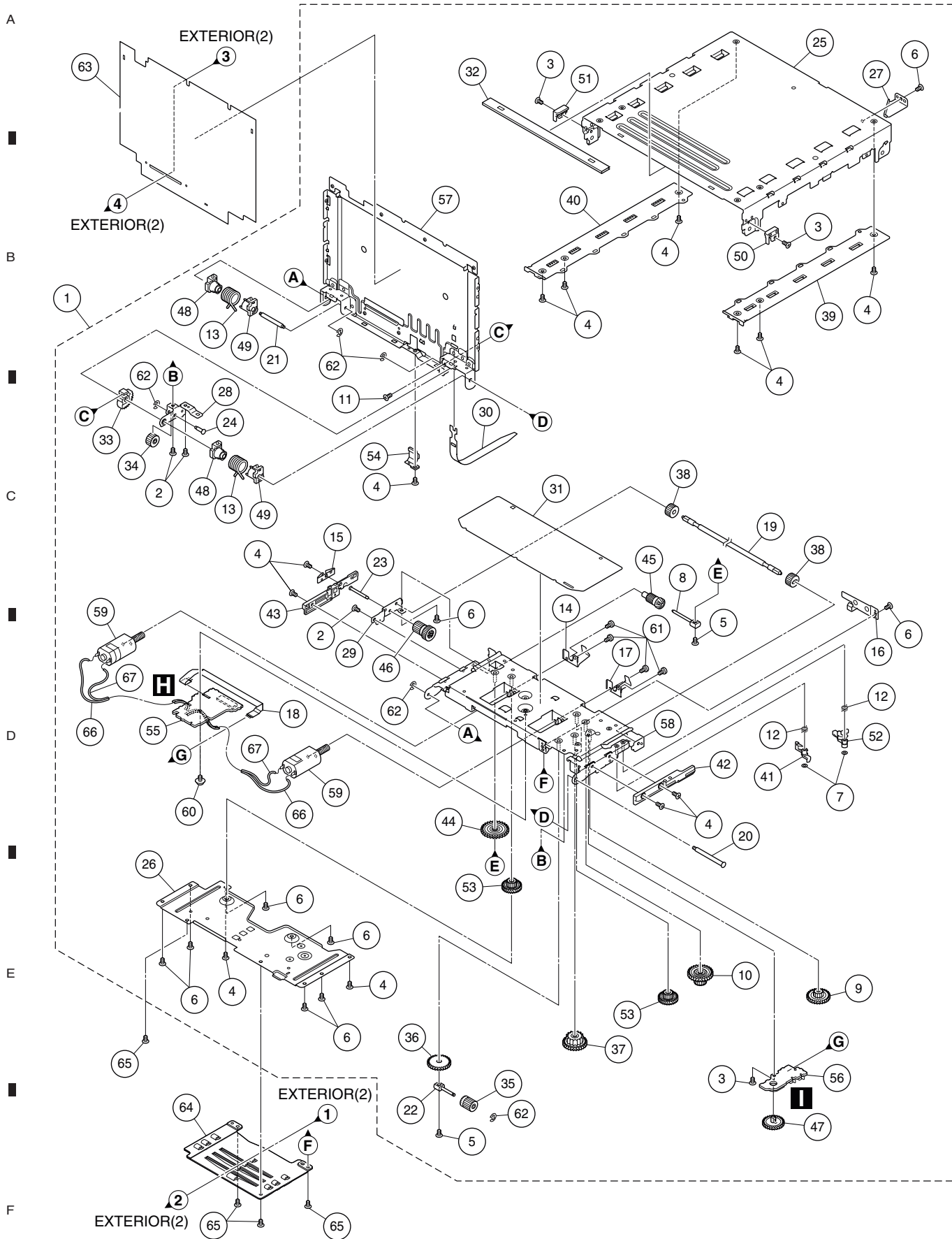
AVH-3500NEX/XNUC, AVH-Z7200DAB/XNEU5, AVH-Z7250BT/XNRC, AVH-Z7250TV/XNRD, AVH-Z7250BT/XNRD and AVH-Z7250BT/XNRI are constructed the same except for the following:

<u>Mark</u>	<u>No.</u>	<u>Description</u>	<u>AVH-3500NEX/XNUC</u>	<u>AVH-Z7200DAB/XNEU5</u>	<u>AVH-Z7250BT/XNRC</u>
	2	Insulator	QNM3282	QNM3282	QNM3282
	5	Holder	CND7764	CND7764	CND7763
	14	Mother Unit	QWM5206	QWM5203	QWM5207
	16	Shield Case	CND7316	Not used	CND7316
	17	Antenna Cable	CDH1390	Not used	CDH1390
	20	Clamper (CN8451)	CEF1046	Not used	CEF1046
	22	FFC	Not used	Not used	Not used
	23	DTT Tuner	Not used	Not used	Not used
	25	Cord Assy	CDF1290	CDF1289	Not used
	26	DAB Box Assy	Not used	CXE9986	Not used
	27	DAB Box Unit	Not used	CWF2065	Not used
	28	WWR Unit (U3101)	Not used	CWE2572	Not used
	29	Shield Case	Not used	CND7814	Not used
	30	Chassis	Not used	CNA3408	Not used
	31	Case	Not used	CNB4037	Not used
	32	Insulator	Not used	CNN5363	Not used
	33	Antenna Cable Assy	Not used	CXE7975	Not used
	34	EMI Absorb Sheet	Not used	CNN5064	Not used
	35	Screw	Not used	BSZ26P050FTC	Not used
	36	Plate	Not used	CNN5366	Not used
	37	Screw	BSZ26P060FTC	BSZ26P060FTC	Not used
	38	Screw	Not used	Not used	Not used
	39	Gasket	CNN5650	CNN5650	CNN5650

Mark	No.	Description	AVH-Z7250TV/XNRD	AVH-Z7250BT/XNRD	AVH-Z7250BT/XNRI
	2	Insulator	CNN5362	QNM3282	QNM3282
	5	Holder	CND7765	CND7763	CND7763
	14	Mother Unit	QWM5204	QWM5208	QWM5209
	16	Shield Case	CND7316	CND7316	CND7316
	17	Antenna Cable	CDH1390	CDH1390	CDH1390
	20	Clamper (CN8451)	CEF1046	CEF1046	CEF1046
	22	FFC	CDD1067	Not used	Not used
	23	DTT Tuner	CWE2519	Not used	Not used
	25	Cord Assy	Not used	Not used	Not used
	26	DAB Box Assy	Not used	Not used	Not used
	27	DAB Box Unit	Not used	Not used	Not used
	28	WWR Unit (U3101)	Not used	Not used	Not used
	29	Shield Case	Not used	Not used	Not used
	30	Chassis	Not used	Not used	Not used
	31	Case	Not used	Not used	Not used
	32	Insulator	Not used	Not used	Not used
	33	Antenna Cable Assy	Not used	Not used	Not used
	34	EMI Absorb Sheet	Not used	Not used	Not used
	35	Screw	Not used	Not used	Not used
	36	Plate	Not used	Not used	Not used
	37	Screw	Not used	Not used	Not used
	38	Screw	BSZ26P060FTC	Not used	Not used
	39	Gasket	Not used	CNN5650	CNN5650

9.5 EXTERIOR (4)

The application position of grease is referred to page 88 and page 89.



EXTERIOR (4) SECTION PARTS LIST

<u>Mark No.</u>	<u>Description</u>	<u>Part No.</u>	<u>Mark No.</u>	<u>Description</u>	<u>Part No.</u>
1	Display Module Unit	CXE5803	49	Holder	ENV3034
2	Screw	CBA1608	50	Guide	ENV3035
3	Screw (M2 x 1.5)	CBA1615			
4	Screw (M2 x 3)	CBA1877	51	Guide	ENV3036
5	Screw (M2.3 x 6)	CBA2027	52	Arm	ENV3037
			53	Gear	ENV3038
6	Screw (M2 x 2)	CBA2129	54	Lever	ENV3039
7	Washer	CBF1038	55	Main PCB Unit	EXX3008
8	Shaft	CLA4821			
9	Gear	CNR1862	56	SW PCB Unit	EXX3009
10	Gear	CNV8980	57	Case Unit	EXA4010
			58	Frame Unit	EXA4011
11	Screw	EBA2003	59	Motor Unit	EXA4013
12	Torsion Spring	EBH3010	60	Screw	IMS20P030FTC
13	Torsion Spring	EBH3011			
14	Leaf Spring	EBL2005	61	Screw	JGZ20P025FTC
15	Leaf Spring	EBL2006	62	E Ring	YE15FTC
			63	Insulator	CNN4260
16	Leaf Spring	EBL2007	64	Cover	CNW2687
17	Leaf Spring	EBL2008	65	Screw (M2 x 3)	CBA1877
18	FFC	EDD2002			
19	Shaft	ELA3022	66	Cord (Purple)	EDC1026
20	Shaft	ELA3023	67	Cord (Green)	EDC1027
21	Shaft	ELA3024			
22	Shaft	ELA3026			
23	Shaft	ELA3027			
24	Shaft	ELA3028			
25	Chassis	ENA3007			
26	Cover	ENC2025			
27	Lever	ENC2026			
28	Holder	ENC2027			
29	Bracket	ENC2032			
30	Sheet	ENM3002			
31	Sheet	ENM3003			
32	Sheet	ENM3004			
33	Gear	ENR2001			
34	Gear	ENR2002			
35	Gear	ENR2003			
36	Gear	ENR2004			
37	Gear	ENR2005			
38	Gear	ENV3023			
39	Rack	ENV3024			
40	Rack	ENV3025			
41	Arm	ENV3026			
42	Guide	ENV3027			
43	Guide	ENV3028			
44	Gear	ENV3029			
45	Gear	ENV3030			
46	Gear	ENV3031			
47	Gear	ENV3032			
48	Holder	ENV3033			

12. ELECTRICAL PARTS LIST

NOTE:

- Parts whose parts numbers are omitted are subject to being not supplied.
- The part numbers shown below indicate chip components.

Chip Resistor

RS1/○S○○○J,RS1/○○S○○○J

Chip Capacitor (except for CQS.....)

CKS....., CCS....., CSZS.....

- Parts marked by " * " are generally unavailable because they are not in our Master Spare Parts List.
- The \triangle mark found on some component parts indicates the importance of the safety factor of the part. Therefore, when replacing, be sure to use parts of identical designation.
- The expression of the unit in this manual is shown by u instead of μ . Please do not make a mistake.

Circuit Symbol and No.

Part No.

Circuit Symbol and No.

Part No.

A: AVH-3500NEX/XNUC

B: AVH-Z7200DAB/XNEU5

C: AVH-Z7250BT/XNRC

D: AVH-Z7250TV/XNRD

E: AVH-Z7250BT/XNRD

F: AVH-Z7250BT/XNRI

Unit Number: QWM5206 (A)

Unit Number: QWM5203 (B)

Unit Number: QWM5207 (C)

Unit Number: QWM5204 (D)

Unit Number: QWM5208 (E)

Unit Number: QWM5209 (F)

Unit Name : Mother Unit

Unit Number: QWM5214

Unit Name : Monitor Unit

Unit Number: CWX4733

Unit Name : DVD Core Unit

Unit Number: CWX3864

Unit Name : Compound Unit (A)

Unit Number: CWX3394

Unit Name : Compound Unit (B)

Unit Number: QWM5215

Unit Name : Keyboard Unit

Unit Number: CWF2065 (B)

Unit Name : DAB Box Unit

Unit Number: EXX3008

Unit Name : Main PCB Unit

Unit Number: EXX3009

Unit Name : SW PCB Unit

A

Unit Number: QWM5206 (A)

Unit Number: QWM5203 (B)

Unit Number: QWM5207 (C)

Unit Number: QWM5204 (D)

Unit Number: QWM5208 (E)

Unit Number: QWM5209 (F)

Unit Name : Mother Unit

MISCELLANEOUS

IC 101	Regulator IC	NJW4181U3-33B
IC 111	Regulator IC	NJW4184DL3-08A
IC 141	Regulator IC	MM3411A33N
IC 161	Regulator IC	RP108J081D-AE
IC 211	IC	BA00DD0WHFP
IC 231	Regulator IC	MM1856A50N
IC 241	Variable Regulator	BA00CC0WFP
IC 271	Regulator IC	MM1856A58N
IC 304	Regulator IC (A, C, D, E, F)	MM3479A33P
IC 351	DC/DC CONV IC	KBD9876EFJ
IC 401	IC	AN33012UA
IC 451	DC/DC CONV IC	MM3630BR
IC 501	DC/DC CONV IC	TLV62065TDSGQ1
*IC 601	Flash Blank UC IC	MN103LFA5RXW
IC 901	U-PRO IC	MN2KSC100M
IC 1101	CONV IC	AK5720VT
IC 1131	IC	CA0024AN
IC 1191	IC	337S3959
IC 1301	Flash ROM Unit (A)	CVQ1201
IC 1301	Flash ROM Unit (B, C, D, E, F)	CVQ1202
IC 1321	Flash Memory IC (A)	W25Q64JVSSIQ
IC 1321	Flash Memory IC (B, C, D, E, F)	W25Q16JVSSIQ
IC 1341	Flash ROM Unit	CVQ1208
IC 1401	RAM IC	W631GG6MB-12
IC 1402	RAM IC	W631GG6MB-12
IC 1501	IC	AK4223VQ
IC 1601	OP AMP IC	NJW1240V
IC 1721	Logic IC	TC7SH32FUS2
IC 1851	Buffer Logic IC (A)	TC7SH126FUS1
IC 1852	AND Logic IC (A)	MC74VHC1GT08DFG

5 <u>Circuit Symbol and No.</u>			6 <u>Part No.</u>	7 <u>Circuit Symbol and No.</u>			8 <u>Part No.</u>
IC	1901	Logic IC	TC7SZU04FUS2	D	871	Zener Diode	RSB6R8SM
IC	2101	Logic IC	TC7SZ32FUS2	D	872	Zener Diode	RSB6R8SM
IC	2201	Logic IC	74VHCT08AFT	D	873	Zener Diode	RSB6R8SM
IC	2401	IC	CA0023AN	D	874	Zener Diode	RSB6R8SM
IC	2402	IC	CA0023AN	D	1851	Diode (A, B)	RSB18V
IC	2451	Interface IC	STCC2540IQ	D	1852	Diode (A, B)	RSB18V
IC	2481	Comparator IC	TC75S57FU	D	1853	Diode (A, B)	RSB18V
IC	2801	OP AMP IC	NJU7043V	D	1854	Diode (A, B)	RSB18V
IC	8401	Tuner IC (A, C, D, E, F)	TEF6686HN-V102	D	1855	Diode (A, B)	RSB18V
IC	9001	E-VOL SYS LSI	PM9015A	D	1856	Diode (A, B)	RSB18V
IC	9201	Power AMP IC	PA2032A	D	1901	Zener Diode	RSB6R8SM
Q	3	Bipolar TR	HN1C01FUS1	D	2252	Diode	RSB18V
Q	5	Resistor Built-IN TR	LTC014EEB	D	2253	Diode	RSB18V
Q	6	Bipolar TR	LSCR523UB	D	2254	Diode	RSB18V
Q	7	Bipolar TR	LSAR523UB	D	2255	Diode	RSB18V
Q	8	Bipolar TR	LSAR523UB	D	2256	Diode	RSB18V
Q	190	Resistor Built-IN TR	LTC014EEB	D	2257	Diode	RSB18V
Q	191	Bipolar TR	LSAR523UB	D	2258	Diode	RSB18V
Q	241	Resistor Built-IN TR	LTC014EEB	D	2259	Zener Diode	UDZV3R9(B)
Q	242	Resistor Built-IN TR	LTC014EEB	D	2451	Diode	EZAE2A50AX
Q	251	Transistor	UMF5N	D	2452	Diode	EZAE2A50AX
Q	401	Power MOS FET	SFT1342	D	2581	Zener Diode	RSB6R8SM
Q	402	Power MOS FET	SFT1342	D	2582	Zener Diode	RSB6R8SM
Q	601	Bipolar TR	LSCR523UB	D	8451	Diode (A, C, D, E, F)	EZAE2A50AX
Q	602	Resistor Built-IN TR (C, D, E, F)	RN4982S1	D	8452	Diode (A, C, D, E, F)	EZAE2A50AX
Q	603	Resistor Built-IN TR (C, D, E, F)	RN4982S1	D	8453	Zener Diode (A, C, D, E, F)	RSB6R8SM
Q	604	Resistor Built-IN TR (C, D, E, F)	RN4982S1	D	9201	Rectifier Diode	RR264MM-400TF
Q	605	Resistor Built-IN TR (C, D, E, F)	RN4982S1	L	3	Choke Coil 120 uH	CTH1636
Q	1131	Bipolar TR	LSCR523UB	L	51	Choke Coil 3.6 uH (C, E)	CTH1479
Q	1132	Bipolar TR	LSCR523UB	L	351	SMD SPL Inductor	CTH1524
Q	1133	Bipolar TR	LSCR523UB	L	401	SMD SPL Inductor	CTH1544
Q	1134	Bipolar TR	LSCR523UB	L	402	Choke Coil 7.0 uH	CTH1381
Q	1191	Bipolar TR	LSAR523UB	L	451	SMD SPL Inductor	CTH1584
Q	1601	Resistor Built-IN TR	LTC044EEB	L	501	Inductor	CTH1629
Q	1721	Resistor Built-IN TR	LTC043ZEB	L	801	Inductor	CTF1645
Q	1901	Transistor	2SAR502UB	L	802	Inductor	CTF1740
Q	1902	Resistor Built-IN TR	LTC023YEB	L	803	Inductor	CTF1645
Q	2251	Transistor	2SD2114K	L	822	Chip Beads	VTL1126
Q	2252	Resistor Built-IN TR	RN4984S1	L	2251	SMD Ferrite Beads (A, B, C)	CTF1869
Q	2253	Resistor Built-IN TR	RN4984S1	L	2252	Ferrite Bead	CTF1528
Q	2331	Bipolar TR	HN1B04FUS1	L	2253	Ferrite Bead	CTF1528
Q	2801	Bipolar TR	LSCR523UB	L	2254	Ferrite Bead	CTF1528
D	4	Diode	D1F60-5053	L	2255	Ferrite Bead	CTF1528
D	5	Diode	D1F60-5053	L	2256	Ferrite Bead	CTF1528
D	7	Zener Diode	UDZV6R2(B)	L	2257	Ferrite Bead	CTF1528
D	8	Zener Diode	UDZV6R8(B)	L	2258	Ferrite Bead	CTF1528
D	9	Switching Diode	1SS355VM	L	2259	Ferrite Bead	CTF1528
D	10	Zener Diode	UDZV5R6(B)	L	2260	Ferrite Bead	CTF1528
D	12	Switching Diode	1SS355VM	L	2261	Ferrite Bead	CTF1528
D	13	Switching Diode	1SS355VM	L	2262	Ferrite Bead	CTF1528
D	14	Schottky Diode	RB080LAM-30TF	L	2263	Ferrite Bead	CTF1528
D	162	Schottky Diode	RB056LAM-40TF	L	2264	Ferrite Bead	CTF1528
D	163	Schottky Diode	RB056LAM-40TF	L	2265	Ferrite Bead	CTF1528
D	211	Schottky Diode	RB080LAM-30TF	L	2266	Ferrite Bead	CTF1528
D	351	Schottky Diode	RB056LAM-40TF	L	2267	Ferrite Bead	CTF1528
D	401	Schottky Diode	RB056LAM-40TF	L	2268	Ferrite Bead	CTF1528
D	402	Schottky Diode	RB056LAM-40TF	L	2269	Ferrite Bead	CTF1528
D	451	Schottky Diode	RB080LAM-30TF	L	2270	SMD Ferrite Beads	CTF1869
D	601	Schottky Diode	RB751SM-40	L	2321	Chip Beads	VTL1126
D	602	Schottky Diode	RB751SM-40	L	2322	Chip Beads	VTL1126

1		2		3		4	
<u>Circuit Symbol and No.</u>		<u>Part No.</u>		<u>Circuit Symbol and No.</u>		<u>Part No.</u>	
				R 67			RS1/16SS102J
L	2401	SMD SPL Inductor	LCYA100J2016				
L	2404	Inductor	CTF1680	R 68			RS1/16SS473J
L	2451	Noise Filter	CTF1887	R 69			RS1/16SS223J
L	2581	Chip Beads	VTL1126	R 70			RS1/16SS103J
L	2582	Chip Beads	VTL1126	R 71			RS1/16SS223J
				R 72			RS1/16SS102J
L	2801	Ferrite Bead	CTF1528				
L	8401	SMD Ferrite Beads (A, C, D, E, F)	CTF1893	R 73			RS1/16SS473J
L	8403	Inductor (A, C, D, E, F)	LCTC150K1608	R 74			RS1/16SS103J
L	8405	Inductor (A, C, D, E, F)	LCMAR27J1608	R 81	(A, B, C, E, F)		RS1/4SA0R0J
L	8409	Inductor (A, C, D, E, F)	CTF1787	R 82	(A, B, C, E, F)		RS1/4SA0R0J
				R 161			RS1/16SS5601D
X	601	Crystal Resonator 12.500 MHz	CSS1839				
X	801	Resonator 24 MHz	CSS1773	R 162			RS1/16SS1202D
X	1901	Resonator 32.768 kHz	CSS1807	R 190			RS1/16SS222J
X	8401	Crystal Resonator 9.216 MHz (A, C, D, E, F)	CSS1888	R 191			RS1/16SS222J
⚠	P1851	Poly Switch(A)	FSMD110-24R	R 211			RS1/16SS2201D
				R 212			RS1/16SS2702D
⚠	P1851	Poly Switch(B)	FSMD020-R				
⚠	P2201	Fuse 0.75A	CEK1398	R 213			RS1/16SS4701D
⚠	P2252	Poly Switch	FSMD075-24R	R 241			RS1/16SS473J
⚠	P2254	Poly Switch	FSMD075-24R	R 242			RS1/16SS3601D
⚠	P2321	Poly Switch	FSMD075-24R	R 243			RS1/16SS9101D
⚠	P2331	Poly Switch	FSMD075-24R	R 244			RS1/16SS2401D
P	8451	Surge Absorber (A, C, D, E, F)	IMSA-6803-01Y900	R 246			RS1/16SS2401D
F	9001	EMI Filter	CCG1142	R 251			RS1/16SS473J
F	9002	EMI Filter	CCG1142	R 252			RS1/16SS102J
F	9201	EMI Filter	CCG1142	R 308	(A, C, D, E, F)		RS1/16SS102J
				R 351			RS1/16SS302J
F	9202	EMI Filter	CCG1142	R 352			RS1/16SS4702D
TH	802	Thermistor	CCX1084	R 353			RS1/16SS1202D
VL	8401	Variable Coil (A, C, D, E, F)	CTC1216	R 354			RS1/16SS822J
CN	241	Connector	CKS4822	R 357			RS1/8SQ331J
CN	1851	Connector (A, B)	CKS4674	R 401			RS1/16SS561J
				R 402			RS1/16SS1502D
CN	2101	Connector	CKS6025	R 403			RS1/16SS1301D
CN	2201	FFC/FPC Connector	CKS6703	R 404			RS1/16SS5101D
CN	2251	Plug	CKM1599	R 405			RS1/16SS222J
CN	2301	FFC/FPC Connector	CKS6638	R 406			RS1/16SS103J
CN	2331	Connector	CKS4497				
				R 408	11 mohm		CCN1341
CN	2481	FFC/FPC Connector (D)	CKS6638	R 409			RS1/16SS204J
CN	8451	Clamper (A, C, D, E, F)	CEF1046	R 410			RS1/16SS394J
JA	1	Connector	CKM1613	R 411	15 mohm		CCN1328
JA	2321	3.5 DIA Jack	CKS6437	R 412			RS1/16SS224J
JA	2451	USB Jack	CKN1136				
				R 413			RS1/16SS272J
JA	2581	Jack	CKN1101	R 414			RS1/16SS1101D
U	1901	BT Module	CWX4751	R 415			RS1/16SS1001D
				R 416			RS1/16SS1502D
				R 417			RS1/16SS221J
RESISTORS							
R	51	(A, B, D, E, F)	RS1/4SA0R0J	R 422			RS1/16SS473J
R	53		RS1/16SS103J	R 423			RS1/16SS473J
R	55		RS1/16SS473J	R 432	15 mohm		CCN1328
R	56		RS1/16SS472J	R 435			RS1/8SQ821J
R	57		RS1/16SS104J	R 436			RS1/8SQ821J
				R 437			RS1/4SA331J
R	58		RS1/16SS473J	R 451			RS1/16SS123J
R	59		RS1/4SA102J	R 452			RS1/16SS3001D
R	60		RS1/16SS103J	R 453			RS1/16SS1602D
R	61		RS1/16SS472J	R 455			RS1/16SS2001D
R	62		RS1/4SA102J				
				R 456			RS1/16SS473J
R	63		RS1/16SS473J	R 457			RS1/16SS304J
R	64		RS1/16SS104J	R 458	100 mohm		CCN1339
R	65		RS1/16SS472J	R 461			RS1/4SA331J
R	66		RS1/4SA102J				

5		6	7		8
<u>Circuit Symbol and No.</u>		<u>Part No.</u>	<u>Circuit Symbol and No.</u>		<u>Part No.</u>
R	463	RS1/16SS0R0J	R	670 (D, F)	RS1/16SS104J
R	464	RS1/16SS0R0J	R	671 (C, E)	RS1/16SS104J
R	467	RS1/16SS0R0J	R	672 (C, D, E)	RS1/16SS104J
R	502	RS1/16SS473J	R	673 (F)	RS1/16SS104J
R	505	RS1/16SS1803D	R	674 (D, E)	RS1/16SS104J
R	507	RS1/16SS2703D	R	675 (C, F)	RS1/16SS104J
R	601 (B)	RS1/16SS0R0J	R	683	RS1/16SS103J
R	603	RS1/16SS472J	R	684	RS1/16SS221J
R	604	RS1/16SS104J	R	685	RS1/16SS104J
R	605	RS1/16SS473J	R	686	RS1/16SS103J
R	607	RS1/16SS221J	R	687	RS1/16SS221J
R	608	RS1/16SS221J	R	688	RS1/16SS104J
R	609	RS1/16SS472J	R	689	RS1/16SS104J
R	610	RS1/16SS102J	R	690	RS1/16SS101J
R	611	RS1/16SS103J	R	691	RS1/16SS221J
R	612	RS1/16SS471J	R	692	RS1/16SS221J
R	613	RS1/16SS473J	R	693	RS1/16SS221J
R	614	RS1/16SS471J	R	694	RS1/16SS104J
R	615	RS1/16SS473J	R	695	RS1/16SS471J
R	616	RS1/16SS105J	R	696	RS1/16SS103J
R	617	RS1/16SS182J	R	697	RS1/16SS471J
R	618	RS1/16SS472J	R	698	RS1/16SS473J
R	619	RS1/16SS472J	R	699	RS1/16SS471J
R	621	RS1/16SS473J	R	700	RS1/16SS472J
R	622	RS1/16SS473J	R	701	RS1/16SS471J
R	624	RS1/16SS104J	R	702	RS1/16SS472J
R	625	RS1/16SS102J	R	703	RS1/16SS221J
R	626	RS1/16SS0R0J	R	706 (C, D, E, F)	RS1/16SS6800D
R	627	RS1/16SS102J	R	709 (C, D, E, F)	RS1/16SS8201D
R	628	RS1/16SS104J	R	710 (C, D, E, F)	RS1/16SS8201D
R	629	RS1/16SS473J	R	711 (A, B)	RS1/16SS102J
R	631	RS1/16SS121J	R	711 (C, D, E, F)	RS1/16SS1001D
R	632	RS1/16SS104J	R	712	RS1/16SS473J
R	633	RS1/16SS121J	R	713 (B)	RS1/16SS104J
R	634	RS1/16SS182J	R	716	RS1/16SS103J
R	635	RS1/16SS102J	R	717	RS1/16SS101J
R	636	RS1/16SS473J	R	720	RS1/16SS0R0J
R	638 (D)	RS1/16SS104J	R	721 (B)	RS1/16SS0R0J
R	640	RS1/16SS682J	R	722 (B)	RS1/16SS154J
R	643 (B)	RS1/16SS102J	R	800	RS1/16SS473J
R	644 (B)	RS1/16SS104J	R	804	RS1/16SS101J
R	646 (D)	RS1/16SS471J	R	807 (A)	RS1/16SS473J
R	647	RS1/16SS104J	R	808 (A)	RS1/16SS0R0J
R	648 (D)	RS1/16SS473J	R	809 (A)	RS1/16SS0R0J
R	649 (B)	RS1/16SS0R0J	R	810 (D)	RS1/16SS473J
R	650	RS1/16SS101J	R	811 (D)	RS1/16SS471J
R	651 (A, B)	RS1/16SS102J	R	813	RS1/16SS0R0J
R	651 (C, D, E, F)	RS1/16SS1001D	R	814	RS1/16SS183J
R	652 (C, D, E, F)	RS1/16SS6800D	R	815 (A)	RS1/16SS0R0J
R	653	RS1/16SS473J	R	819	RS1/16SS101J
R	656	RS1/16SS822J	R	825	RS1/16SS103J
R	657	RS1/16SS471J	R	830	RS1/16SS121J
R	659	RS1/16SS473J	R	834	RS1/16SS473J
R	660	RS1/16SS473J	R	835	RS1/16SS473J
R	661	RS1/16SS222J	R	837	RS1/16SS473J
R	662	RS1/16SS104J	R	840	RS1/16SS473J
R	665	RS1/16SS221J	R	841	RS1/16SS473J
R	666	RS1/16SS221J	R	842	RS1/16SS473J
R	668	RS1/16SS221J	R	843	RS1/16SS473J
R	669	RS1/16SS104J	R	844	RS1/16SS473J

	1	2	3	4
	<u>Circuit Symbol and No.</u>	<u>Part No.</u>	<u>Circuit Symbol and No.</u>	<u>Part No.</u>
	R 845	RS1/16SS103J	R 950	RS1/16SS200J
	R 847	RS1/10SR0R0J	R 953	RS1/16SS101J
A	R 852	RS1/16SS104J	R 955	RS1/16SS750J
	R 861	RAB4CQ390J	R 956	RS1/16SS101J
	R 862	RAB4CQ390J	R 957	RS1/16SS101J
	R 863	RAB4CQ390J	R 958	RS1/16SS101J
	R 864	RAB4CQ390J	R 959	RS1/16SS101J
	R 865	RAB4CQ390J	R 960	RS1/16SS101J
	R 866	RAB4CQ390J	R 961	RS1/16SS101J
	R 869	RS1/16SS470J	R 962	RS1/16SS101J
	R 870	RS1/16SS101J	R 963	RS1/16SS101J
	R 871	RS1/16SS101J	R 964	RS1/16SS101J
	R 882	RAB4CQ390J	R 1102	RS1/16SS472J
B	R 884	RS1/16SS680J	R 1104	RS1/16SS0R0J
	R 885	RS1/16SS271J	R 1105	RS1/16SS0R0J
	R 886	RS1/16SS101J	R 1107	RS1/16SS0R0J
	R 887	RS1/16SS101J	R 1108	RS1/10SR0R0J
	R 888	RS1/16SS101J	R 1109	RS1/16SS222J
	R 889	RS1/16SS101J	R 1110	RS1/16SS103J
	R 890	RAB4CQ390J	R 1111	RS1/16SS0R0J
	R 891	RS1/16SS473J	R 1115	RS1/10SR0R0J
	R 892	RS1/16SS473J	R 1116	RS1/10SR0R0J
	R 893	RS1/16SS222J	R 1117	RS1/16SS0R0J
	R 894	RS1/16SS222J	R 1118	RS1/16SS0R0J
C	R 896	RAB4CQ103J	R 1119	RS1/16SS0R0J
	R 899	RAB4CQ103J	R 1120	RS1/16SS0R0J
	R 900	RS1/16SS104J	R 1122	RS1/16SS103J
	R 901	RS1/16SS104J	R 1123	RS1/16SS103J
	R 902	RS1/16SS104J	R 1124	RS1/16SS0R0J
	R 903	RS1/16SS104J	R 1125	RS1/16SS0R0J
	R 904	RS1/16SS105J	R 1131	RS1/16SS0R0J
	R 905	RS1/16SS102J	R 1132	RS1/16SS103J
	R 906	RS1/16SS2202D	R 1134	RS1/16SS104J
	R 907	RS1/16SS5601D	R 1135	RS1/16SS153J
	R 908	RS1/16SS3301D	R 1136	RS1/16SS471J
D	R 911	RS1/16SS104J	R 1139	RS1/16SS0R0J
	R 912	RS1/16SS104J	R 1143	RS1/16SS471J
	R 913	RS1/16SS1R0J	R 1146	RS1/16SS471J
	R 924	RS1/16SS390J	R 1149	RS1/16SS471J
	R 925	RS1/16SS104J	R 1150	RS1/16SS104J
	R 926	RS1/16SS473J	R 1151	RS1/16SS104J
	R 929	RS1/16SS104J	R 1155	RS1/16SS104J
	R 930	RS1/16SS390J	R 1172	RS1/16SS102J
	R 931	RS1/16SS390J	R 1173	RS1/16SS103J
	R 932	RS1/16SS390J	R 1174	RAB4CQ103J
E	R 933	RS1/16SS2402D	R 1175	RS1/10SR0R0J
	R 935	RS1/16SS103J	R 1191	RS1/16SS472J
	R 936	RS1/16SS1802D	R 1192	RS1/16SS473J
	R 937	RS1/16SS6201D	R 1193	RS1/16SS183J
	R 938	RS1/10SR2400D	R 1195	RS1/16SS222J
	R 940	RAB4CQ200J	R 1196	RS1/16SS222J
	R 941	RAB4CQ200J	R 1197	RS1/16SS220J
	R 942	RAB4CQ200J	R 1198	RS1/16SS222J
	R 943	RAB4CQ200J	R 1401	RS1/16SS4700D
	R 944	RAB4CQ200J	R 1402	RS1/16SS4700D
	R 945	RS1/16SS200J	R 1403	RS1/16SS4700D
F	R 946	RS1/16SS200J	R 1404	RS1/16SS4700D
	R 947	RS1/16SS200J	R 1405	RS1/16SS103J
	R 948	RS1/16SS200J	R 1406	RS1/16SS103J
	R 949	RS1/16SS200J	R 1409	RS1/16SS103J

5		6		7		8	
<u>Circuit Symbol and No.</u>		<u>Part No.</u>		<u>Circuit Symbol and No.</u>		<u>Part No.</u>	
R	1411	RS1/16SS2200D		R	1873 (A)	RS1/16SS0R0J	
R	1412	RS1/16SS2200D		R	1875 (B)	RS1/16SS0R0J	
R	1413	RS1/16SS2400F		R	1876 (B)	RS1/16SS0R0J	A
R	1414	RS1/16SS2400F		R	1877 (B)	RS1/16SS0R0J	
R	1501 (D)	RS1/16SS0R0J		R	1878 (B)	RS1/16SS0R0J	
R	1502 (D)	RS1/16SS0R0J		R	1879 (B)	RS1/16SS0R0J	
R	1503 (D)	RS1/16SS0R0J		R	1880 (B)	RS1/16SS0R0J	
R	1507 (D)	RS1/16SS75R0D		R	1881 (B)	RS1/16SS0R0J	
R	1508	RS1/16SS750J		R	1882 (B)	RS1/16SS0R0J	
R	1509	RS1/16SS75R0D		R	1883 (B)	RS1/16SS0R0J	
R	1510	RS1/16SS104J		R	1884 (B)	RS1/16SS0R0J	
R	1511	RS1/16SS75R0D		R	1885 (B)	RS1/16SS0R0J	
R	1512	RS1/16SS2200D		R	1886 (B)	RS1/16SS0R0J	
R	1514	RS1/16SS750J		R	1887 (B)	RS1/16SS0R0J	
R	1515 (D)	RS1/16SS0R0J		R	1901	RS1/16SS0R0J	B
R	1516 (D)	RS1/16SS0R0J		R	1902	RS1/16SS121J	
R	1517	RS1/16SS101J		R	1903	RS1/16SS121J	
R	1518	RS1/16SS101J		R	1904	RS1/16SS121J	
R	1519	RS1/16SS101J		R	1917	RS1/16SS0R0J	
R	1520	RS1/16SS101J		R	1918	RS1/16SS106J	
R	1521	RS1/16SS101J		R	1919	RS1/16SS105J	
R	1522	RS1/16SS101J		R	1920	RS1/16SS103J	
R	1523 (C, E, F)	RS1/16SS101J		R	1921	RS1/16SS103J	
R	1524 (C, E, F)	RS1/16SS104J		R	1923	RS1/16SS103J	
R	1527 (A, B)	RS1/16SS0R0J		R	1924	RS1/16SS0R0J	C
R	1528 (A, B)	RS1/16SS0R0J		R	1925	RS1/16SS0R0J	
R	1535 (C, E, F)	RS1/16SS0R0J		R	1926	RS1/16SS0R0J	
R	1536 (C, E, F)	RS1/16SS0R0J		R	1927	RS1/16SS103J	
R	1537 (C, E, F)	RS1/16SS0R0J		R	1928	RS1/16SS103J	
R	1538	RS1/16SS470J		R	1931	RS1/16SS0R0J	
R	1541 (C, E, F)	RS1/16SS0R0J		R	1932	RS1/16SS103J	
R	1542	RS1/16SS0R0J		R	1933	RS1/10SR221J	
R	1601	RS1/16SS103J		R	1935	RS1/16SS0R0J	
R	1602	RS1/16SS684J		R	1936	RS1/16SS121J	
R	1604	RS1/16SS100J		R	1937	RS1/16SS0R0J	
R	1605	RS1/16SS102J		R	1939	RS1/16SS473J	D
R	1701	RS1/16SS0R0J		R	2111	RS1/10SR0R0J	
R	1702	RS1/16SS103J		R	2113	RS1/16SS471J	
R	1723	RS1/16SS683J		R	2114	RS1/16SS102J	
R	1724	RS1/16SS683J		R	2115	RS1/16SS221J	
R	1725	RS1/16SS221J		R	2116	RS1/16SS221J	
R	1801 (B)	RS1/16SS0R0J		R	2117	RS1/16SS221J	
R	1803 (B)	RS1/16SS0R0J		R	2118	RS1/16SS221J	
R	1804 (B)	RS1/16SS0R0J		R	2121	RS1/10SR0R0J	
R	1805 (B)	RS1/16SS0R0J		R	2122	RS1/16SS473J	
R	1854 (A)	RS1/16SS0R0J		R	2124 91 ohm	CCN1424	E
R	1855 (A)	RS1/16SS0R0J		R	2259	RS1/16SS223J	
R	1856 (A)	RS1/16SS0R0J		R	2260	RS1/16SS223J	
R	1858 (A)	RS1/16SS0R0J		R	2261	RS1/16SS223J	
R	1860 (A)	RS1/16SS0R0J		R	2262	RS1/16SS223J	
R	1862 (A)	RS1/16SS471J		R	2263	RS1/16SS223J	
R	1863 (A)	RS1/16SS223J		R	2264	RS1/16SS223J	
R	1864 (A)	RS1/16SS223J		R	2265	RS1/16SS223J	
R	1865 (A)	RS1/16SS181J		R	2266	RS1/16SS223J	
R	1866 (A)	RS1/16SS181J		R	2267	RS1/16SS223J	
R	1867 (A)	RS1/10SR822J		R	2268	RS1/16SS223J	
R	1868 (A)	RS1/10SR471J		R	2270	RS1/10SR0R0J	F
R	1869 (A)	RS1/16SS104J		R	2276	RS1/16SS152J	
R	1871 (A)	RS1/16SS471J		R	2277	RS1/16SS103J	
R	1872 (A)	RS1/16SS0R0J		R	2278	RS1/16SS122J	

	1		2		3		4	
	<u>Circuit Symbol and No.</u>		<u>Part No.</u>		<u>Circuit Symbol and No.</u>		<u>Part No.</u>	
	R	2279 (D, E, F)		RS1/10SR0R0J	R	8417		RS1/10SR0R0J
	R	2302		RS1/16SS272J	R	8421 (A, C, D, E, F)		RS1/16SS0R0J
A	R	2331		RAB4CQ750J	R	8422 (A, C, D, E, F)		RS1/16SS0R0J
	R	2332		RS1/16SS562J	R	8423 (A, C, D, E, F)		RS1/16SS0R0J
	R	2333		RS1/16SS332J	R	9058		RS1/16SS0R0J
	R	2334		RS1/16SS103J				
	R	2335		RS1/16SS103J				
	R	2336		RS1/10SR222J				
	R	2337		RS1/16SS223J	C	46		CKSRyx105K16
	R	2338		RS1/16SS223J	C	48		CKSSyB102K50
	R	2339		RS1/16SS562J	C	50 (A, C, D, E)		CKSyX106K35
					C	51 3300 uF/16 V		CCH2027
					C	52		CKSyX106K35
	R	2340		RS1/16SS102J				
	R	2341		RS1/16SS102J	C	53 (B)		CKSSyB102K50
B	R	2342		RS1/16SS471J	C	102		CKSRyx104K50
	R	2343		RS1/16SS471J	C	103		CKSSyB104K10
	R	2347		RS1/16SS272J	C	104		CKSRyx475K6R3
					C	111		CKSRyx105K25
	R	2348		RS1/16SS272J				
	R	2349		RS1/16SS103J	C	112		CKSSyB104K16
	R	2401		RS1/16SS101J	C	114		CKSRyx104K50
	R	2402		RS1/16SS101J	C	115		CKSQYX475K25
	R	2403		RS1/16SS101J	C	119		CEAT102M16
					C	140		CKSRyB474K16
	R	2451		RS1/16SS102J				
	R	2452		RS1/16SS103J	C	141		CKSQYX106K10
	R	2453		RS1/16SS103J	C	143		CKSRyB474K16
C	R	2454		RS1/16SS103J	C	161		CKSQYX106K10
	R	2455		RS1/16SS183J	C	162		CKSQYX106K10
					C	190		CKSSyB104K10
	R	2484 (D)		RS1/16SS473J				
	R	2485 (D)		RS1/16SS101J	C	211		CKSRyx105K25
	R	2491 (D)		RS1/16SS471J	C	212		CEVW101M16
	R	2493 (D)		RS1/16SS471J	C	231		CKSRyx105K16
	R	2497 (D)		RS1/16SS473J	C	232		CKSSyX105K10
					C	241		CKSQYB334K50
	R	2501		RS1/16SS2002D				
	R	2502		RS1/16SS1302D	C	244		CEVW220M16
	R	2503		RS1/16SS682J	C	251		CKSSyB104K10
	R	2504		RS1/16SS103J	C	271		CKSRyx105K16
D	R	2506		RS1/16SS103J	C	272		CKSRyx105K16
					C	309 (A, C, D, E, F)		CKSSyX105K10
	R	2582		RS1/16SS0R0J				
	R	2801		RS1/16SS0R0J	C	310 (A, C, D, E, F)		CKSSyX105K10
	R	2803		RS1/16SS102J	C	315 (A, C, D, E, F)		CKSSyB104K10
	R	2804		RS1/16SS222J	C	352		CKSSyB103K16
	R	2805		RS1/16SS332J	C	353		CKSQYX106K10
					C	356		CKSSyB473K16
	R	2806		RS1/16SS472J				
	R	2807		RS1/16SS103J	C	357		CKSSyB103K50
	R	2808		RS1/16SS824J	C	358		CKSyX106K35
	R	2809		RS1/16SS563J	C	359		CKSSyB103K50
E	R	2810		RS1/16SS0R0J	C	362 47 uF		CCG1256
					C	401		CKSSyB102K50
	R	2811		RS1/16SS0R0J				
	R	2812		RS1/16SS472J	C	402		CKSSyB223K16
	R	2813		RS1/16SS102J	C	403		CCSSCH8R0D50
	R	2814		RS1/16SS102J	C	404		CCSSCH8R0D50
	R	2815		RS1/16SS0R0J	C	405		CKSSyB223K16
					C	406		CKSSyB102K50
	R	8404 (A, C, D, E, F)		RS1/16SS103J				
	R	8406 (A, C, D, E, F)		RS1/16SS103J	C	407		CKSSyB102K50
	R	8407 (A, C, D, E, F)		RS1/16SS472J	C	408		CKSSyB104K16
	R	8408 (A, C, D, E, F)		RS1/16SS472J	C	409		CKSyX226M16
	R	8409 (A, C, D, E, F)		RS1/16SS101J	C	410		CKSyX226M16
					C	413		CKSRyB473K50
F	R	8410 (A, C, D, E, F)		RS1/16SS101J				
	R	8412 (A, C, D, E, F)		RS1/16SS391J	C	414		CKSSyB102K50
	R	8413 (A, C, D, E, F)		RS1/16SS105J	C	416		CKSSyB104K10
	R	8414 (A, C, D, E, F)		RS1/16SS105J				

CAPACITORS

5		6		7		8	
<u>Circuit Symbol and No.</u>		<u>Part No.</u>		<u>Circuit Symbol and No.</u>		<u>Part No.</u>	
C	419		CKSSYB104K16	C	808		CCSSCH330J50
C	420		CKSSYB103K16	C	810		CKSQYX106K10
C	421		CKSSYB104K10	C	812		CKSQYX106K10
C	422		CKSRYX105K16	C	814		CKSSYB104K10
C	425		CKSYX226M16	C	815		CKSSYB104K10
C	426		CKSYX226M16	C	817		CKSSYB104K10
C	427		CKSSYB104K16	C	818		CKSSYX105K10
C	428		CKSSYB102K50	C	819		CKSSYX105K10
C	433		CKSYX106K35	C	840		CCSSCH100D50
C	436		CKSYX106K35	C	841		CCSSCH120J50
C	451		CKSSYB153K16	C	860		CKSSYX105K10
C	452		CKSSYB222K50	C	901		CKSSYB104K10
C	454		CKSSYB331K50	C	902		CKSSYB104K10
C	455		CKSSYX105K10	C	903		CKSSYB104K10
C	456		CKSRYX104K50	C	904		CKSSYB104K10
C	457		CKSYX226M16	C	905		CKSSYB104K10
C	458		CKSRYX225K10	C	906		CKSSYB104K10
C	459		CEVW101M16	C	907		CKSSYB104K10
C	460		CKSRYB224K16	C	908		CKSSYB104K10
C	461		CKSYX106K35	C	909		CKSSYB104K10
C	462		CKSYX106K35	C	910		CKSSYB104K10
C	463		CKSYX106K35	C	911		CKSSYB104K10
C	464		CKSYX106K35	C	912		CKSSYB104K10
C	465		CKSSYX105K10	C	913		CKSSYB104K10
C	502		CKSQYX106K10	C	914		CKSSYB104K10
C	503		CCSSCH220J50	C	915		CKSSYB104K10
C	504		CKSQYX106K10	C	916		CKSSYB104K10
C	505		CKSSYB103K16	C	917		CKSSYB104K10
C	601		CKSSYB102K50	C	918		CKSSYB104K10
C	602		CCSSCH100D50	C	919		CKSSYB104K10
C	603		CCSSCH120J50	C	920		CKSSYB104K10
C	604		CKSSYX105K10	C	921		CKSSYB104K10
C	605		CKSSYB104K10	C	922		CKSSYB104K10
C	606		CKSRYX105K16	C	923		CKSSYB104K10
C	607		CKSSYB104K10	C	924		CKSSYB104K10
C	608		CKSSYB104K10	C	925		CKSSYB104K10
C	609		CKSSYB104K10	C	926		CKSSYB104K10
C	610		CKSSYB104K10	C	927		CKSSYB104K10
C	611		CKSSYX105K10	C	928		CKSSYB104K10
C	612	(B)	CKSSYB104K10	C	929		CKSSYB104K10
C	613		CKSSYB104K10	C	930		CKSSYB104K10
C	615		CKSSYB104K10	C	931		CCSSCH100D50
C	616		CKSSYX105K10	C	932		CKSSYB104K10
C	620		CKSSYB104K10	C	933		CKSSYX105K10
C	621		CKSSYB103K16	C	934		CKSSYX105K10
C	622		CCSSCH102J50	C	935		CKSSYX105K10
C	623		CKSSYB104K10	C	936		CKSSYX105K10
C	624		CKSSYX105K10	C	937		CKSSYX105K10
C	625		CKSSYB104K10	C	938		CKSSYX105K10
C	626		CKSSYB104K10	C	939		CKSSYX105K10
C	627		CKSSYB104K10	C	940		CKSSYX105K10
C	628		CKSSYB104K10	C	941		CKSSYB103K16
C	629		CKSSYB104K10	C	942		CKSSYB102K50
C	630		CKSSYB104K10	C	943		CKSSYB104K10
C	631		CKSSYB104K10	C	944		CKSSYB104K10
C	632		CKSSYB104K10	C	945		CKSSYB104K10
C	635		CCSSCH471J50	C	946		CKSSYB104K10
C	639		CKSSYB102K50	C	947		CKSSYB104K10
C	801		CKSQYX106K10	C	948		CKSSYB104K10
C	803		CKSQYX106K10	C	949		CKSSYB104K10

	1	2	3	4
	<u>Circuit Symbol and No.</u>	<u>Part No.</u>	<u>Circuit Symbol and No.</u>	<u>Part No.</u>
	C 1102	CKSSYX105K10	C 1508	CKSSYB104K10
	C 1104	CKSSYX474K6R3	C 1510	CKSSYB104K10
	C 1105	CKSQYX106K10	C 1512	CKSSYB104K10
A	C 1106	CKSQYX106K10	C 1514	CKSSYB104K10
	C 1107	CKSSYB104K10	C 1515	CKSSYB104K10
	C 1108	CKSSYB104K10	C 1516	CKSSYB104K10
	C 1109	CKSRyx225K10	C 1517	CKSSYB104K10
	C 1131	CKSQYX106K10	C 1518 (C, D, E, F)	CKSSYX105K10
	C 1132	CKSQYX106K10	C 1519	CKSSYB104K10
	C 1133	CKSQYX106K10	C 1520 (C, D, E, F)	CKSSYX105K10
	C 1134	CKSQYX106K10	C 1521	CKSSYB104K10
	C 1135	CKSQYX106K10	C 1522 (C, D, E, F)	CKSSYX105K10
	C 1136	CKSQYX106K10	C 1523	CKSSYB104K10
B	C 1137	CKSQYX106K10	C 1524	CKSQYX106K10
	C 1138	CKSSYB103K16	C 1525	CKSSYB104K10
	C 1139	CKSQYX106K10	C 1529	CKSQYX106K10
	C 1146	CKSSYB104K10	C 1530	CKSQYX106K10
	C 1191	CKSSYB104K10	C 1531 (C, D, E, F)	CKSSYB104K10
	C 1192	CKSSYB104K10	C 1532	CCSSCH181J50
	C 1193	CKSSYB103K16	C 1601	CKSRyx105K25
	C 1302	CKSSYB104K10	C 1602	CKSRyx105K25
	C 1321	CKSSYB104K10	C 1603	CKSRyx105K25
	C 1342	CKSSYB104K10	C 1604	CKSRyx105K25
	C 1352	CKSRyx225K10	C 1605	CKSRyx105K25
C	C 1353	CKSQYX106K10	C 1606	CKSRyx105K25
	C 1401	CKSRyx106M6R3	C 1607	CKSRyx105K25
	C 1402	CKSRyx106M6R3	C 1608	CKSRyx105K25
	C 1403	CKSRyx106M6R3	C 1609	CKSRyx105K25
	C 1404	CKSRyx106M6R3	C 1610	CKSRyx105K25
	C 1405	CKSSYB104K10	C 1612	CKSRyx105K25
	C 1406	CKSSYB104K10	C 1613	CKSRyx105K25
	C 1407	CKSSYB104K10	C 1721	CKSSYB104K10
	C 1408	CKSSYB104K10	C 1722	CKSQYX475K10
	C 1409	CKSSYB104K10	C 1852 (A, B)	CKSRyx104K50
	C 1410	CKSSYB104K10	C 1853 (A)	CCSSCH102J50
D	C 1411	CKSSYB104K10	C 1854 (A)	CCSSCH102J50
	C 1412	CKSSYB104K10	C 1855 (A)	CKSSYB104K10
	C 1413	CKSSYB104K10	C 1856 (A)	CKSSYB104K10
	C 1414	CKSSYB104K10	C 1858 (B)	CKSSYB102K50
	C 1415	CKSSYB104K10	C 1859 (B)	CKSSYB104K10
	C 1416	CKSSYB104K10	C 1901	CCSSCH100D50
	C 1417	CKSSYB104K10	C 1902	CCSSCH120J50
	C 1418	CKSSYB104K10	C 1903	CKSSYB104K10
	C 1419	CKSSYB104K10	C 1904	CKSRyx106M6R3
	C 1420	CKSSYB104K10	C 1905	CKSRyx106M6R3
	C 1421	CKSSYB104K10	C 1906	CKSSYB104K10
E	C 1422	CKSSYB104K10	C 1907	CKSSYB104K10
	C 1423	CKSSYB104K10	C 1910	CKSQYX106K10
	C 1424	CKSSYB104K10	C 1912	CKSQYX106K10
	C 1425	CKSSYB104K10	C 1913	CKSSYX105K6R3
	C 1426	CKSSYB104K10	C 2102	CKSSYB104K10
	C 1427	CKSSYB104K10	C 2105	CKSQYX106K10
	C 1428	CKSSYB104K10	C 2106	CKSQYX106K10
	C 1431	CKSSYB104K10	C 2107	CKSSYB104K10
	C 1501	CKSSYX105K10	C 2110	CKSRyx105K16
	C 1502	CKSSYX105K10	C 2112	CKSSYB102K50
F	C 1503	CKSSYX105K10	C 2113	CKSSYB104K10
	C 1504	CKSSYX105K10	C 2201	CKSQYX106K10
	C 1506 (C, D, E, F)	CKSSYB104K10	C 2203	CEVW101M16
	C 1507	CKSSYB104K10	C 2206	CKSSYB104K10

5		6		7		8	
<u>Circuit Symbol and No.</u>		<u>Part No.</u>		<u>Circuit Symbol and No.</u>		<u>Part No.</u>	
C	2251		CCSSCH101J50	C	2810		CCSSCH220J50
C	2252		CKSRyx104K50	C	2811		CKSSyB104K10
C	2253 (A, C, D, E, F)		CKSRyx104K50	C	2812		CKSQYX226M6R3
C	2253 (D)		CKSRyx105K16	C	2814		CCSSCH6R0D50
C	2254		CKSRyx225K10	C	2815		CKSSyB102K50
C	2255		CKSQYX475K10	C	8401 (A, C, D, E, F)		CKSSyB104K16
C	2256		CKSQYX475K10	C	8402 (A, C, D, E, F)		CKSSyB104K16
C	2257		CKSQYX475K10	C	8403 (A, C, D, E, F)		CKSQYX106K10
C	2258		CKSQYX475K10	C	8404 (A, C, D, E, F)		CKSQYX106K10
C	2259		CKSQYX475K10	C	8405 (A, C, D, E, F)		CKSSyB104K16
C	2260		CKSQYX475K10	C	8407 (A, C, D, E, F)		CKSSyB224K6R3
C	2261		CKSRyx225K10	C	8408 (A, C, D, E, F)		CKSSyB102K50
C	2262		CCSSCH101J50	C	8409 (A, C, D, E, F)		CKSSyB104K16
C	2263		CCSSCH101J50	C	8411 (A, C, D, E, F)		CCSSCH220J50
C	2264		CCSSCH101J50	C	8412 (A, C, D, E, F)		CCSSCH331J50
C	2265		CCSSCH101J50	C	8415 (A, C, D, E, F)		CKSSyB104K16
C	2266		CCSSCH560J50	C	8416 (A, C, D, E, F)		CKSRyx106M6R3
C	2267		CCSSCH560J50	C	8417		CKSSyB102K50
C	2269		CKSSyB104K10	C	8418 (A, C, D, E, F)		CCSSCH102J50
C	2270		CKSSyB471K50	C	8419 (A, C, D, E, F)		CCSSCH471J50
C	2273		CCSSCH101J50	C	8423 (A, C, D, E, F)		CKSSyB152K50
C	2274		CCSSCH101J50	C	8427 (A, C, D, E, F)		CCSSCH100D50
C	2275		CCSSCH101J50	C	9002 (A)		CKSRyx105K16
C	2276		CCSSCH101J50	C	9003 (A)		CKSRyx105K16
C	2277		CCSSCH101J50	C	9004		CKSRyx105K16
C	2278		CCSSCH101J50	C	9005		CKSRyx105K16
C	2321		CCSSCH101J50	C	9006		CKSSyX105K10
C	2322		CCSSCH101J50	C	9007		CKSSyX105K10
C	2331		CKSSyB102K50	C	9010		CKSRyx105K16
C	2332		CKSSyB102K50	C	9011		CKSRyx105K16
C	2333		CKSSyB102K50	C	9015		CKSSyX105K10
C	2334		CCSSCH180J50	C	9016		CKSRyx105K16
C	2335		CCSSCH180J50	C	9017		CKSRyx105K16
C	2336		CKSSyB102K50	C	9018 (A)		CKSRyx105K16
C	2337		CCSSCH101J50	C	9019 (A)		CKSRyx105K16
C	2401		CKSSyB104K10	C	9020		CKSSyB104K16
C	2402		CKSQYX106K10	C	9021 100 uF/16 V		CCH1962
C	2404		CKSSyB104K10	C	9022		CKSSyB104K16
C	2406		CKSRyx105K16	C	9023		CEVW470M16
C	2407		CKSRyx105K16	C	9024		CEVW470M16
C	2408		CKSRyx105K16	C	9025		CKSSyB104K10
C	2409		CKSRyx105K16	C	9026 10 uF		CCG1332
C	2410		CKSRyx105K16	C	9027		CKSSyB104K10
C	2411		CKSRyx105K16	C	9029		CEVW470M16
C	2412		CKSRyx105K16	C	9032		CKSSyB104K16
C	2413		CKSRyx105K16	C	9033		CKSSyB104K16
C	2451		CKSQYX106K10	C	9034		CKSSyB472K50
C	2452		CKSSyB104K10	C	9035		CKSSyB103K16
C	2488		CKSSyB104K10	C	9036		CKSSyB103K16
C	2489		CKSSyB104K10	C	9039		CCSSCH151J50
C	2501		CKSSyX105K10	C	9040		CCSSCH151J50
C	2581		CCSSCH221J50	C	9041		CKSSyB102K50
C	2802		CKSRyx106M6R3	C	9043		CKSSyB102K50
C	2803		CKSSyB104K10	C	9044		CKSSyB102K50
C	2804		CKSRyx105K16	C	9201 0.68 uF		CCE1064
C	2805		CKSSyB104K10	C	9202		CKSRyB684K10
C	2806		CCSSCH101J50	C	9203		CKSRyB684K10
C	2807		CKSRyB224K16	C	9204 0.68 uF		CCE1064
C	2808		CKSSyX105K10	C	9206 10 uF/25 V		CCH2108
C	2809		CCSSCH6R0D50	C	9207 0.47 uF		CCG1328

	1		2		3		4	
	<u>Circuit Symbol and No.</u>		<u>Part No.</u>		<u>Circuit Symbol and No.</u>		<u>Part No.</u>	
	C	9208	2.2 uF	CCG1322				
	C	9209	4700 uF/16 V	CCH2085	L	5410	Chip Beads	VTL1126
	C	9210	0.1 uF	CCG1425	L	5411	Chip Beads	VTL1126
A	C	9212		CKSRYX104K50	L	5412	Chip Beads	VTL1126
	C	9213		CKSSYB102K50	L	5413	Chip Beads	VTL1126
	C	9214		CKSSYB102K50	L	5414	Chip Beads	VTL1126
	C	9215		CKSSYB102K50	L	5415	Chip Beads	VTL1126
	C	9216		CKSSYB102K50	L	5416	Chip Beads	VTL1126
	C	9217		CKSSYB102K50	L	5417	Chip Beads	VTL1126
	C	9218		CKSSYB102K50	L	5418	Chip Beads	VTL1126
	C	9219		CKSSYB102K50	L	5419	Chip Beads	VTL1126
	C	9220		CKSSYB102K50	L	5420	Chip Beads	VTL1126
	C	9223		CKSRYX105K16	L	5421	Chip Beads	VTL1126
	C	9224		CKSRYX105K16	L	5422	Chip Beads	VTL1126
B	C	9225		CKSRYX105K16	L	5423	Chip Beads	VTL1126
	C	9226		CKSRYX105K16	L	5424	Chip Beads	VTL1126
	C	9228	0.1 uF	CCG1321	L	5425	Chip Beads	VTL1126
	C	9229		CCSRCH101J50	L	5426	Chip Beads	VTL1126

B

Unit Number: QWM5214
Unit Name : Monitor Unit

TH	5001	Thermistor	CCX1084
CN	5001	Connector	CKS4428
CN	5002	FFC/FPC Connector	CKS6514
CN	5003	FFC/FPC Connector	CKS6625
CN	5301	FFC/FPC Connector	CKS6703

MISCELLANEOUS

RESISTORS

C	IC	5001	Interface IC	AK4187VN	R	5001		RS1/16SS161J
	IC	5101	Display IC	OZ5271LN	R	5002		RS1/16SS511J
	IC	5201	DC/DC CONV IC	R1294L103A	R	5003		RS1/16SS181J
	IC	5301	Logic IC	TC7SH08FUS2	R	5004		RS1/16SS680J
	IC	5401	Regulator IC	MM3411A15N	R	5005		RS1/16SS101J
	IC	5402	Interface IC	TC90207FG	R	5006		RS1/16SS101J
	Q	5201	Resistor Built-IN TR	LTC024EEB	R	5007		RS1/16SS101J
	Q	5202	Transistor	2SAR502UB	R	5013		RS1/16SS183J
	Q	5301	Bipolar TR	LSAR523UB	R	5101		RS1/16SS104J
	Q	5302	Bipolar TR	LSCR523UB	R	5102		RS1/8SQ2R2J
D	D	5011	Zener Diode	RSB6R8SM	R	5105		RS1/16SS104J
	D	5012	Zener Diode	RSB6R8SM	R	5106		RS1/16SS104J
	D	5013	Zener Diode	RSB6R8SM	R	5107		RS1/16SS102J
	D	5014	Zener Diode	RSB6R8SM	R	5108		RS1/16SS223J
	D	5015	Zener Diode	RSB6R8SM	R	5109		RS1/16SS563J
	D	5101	Schottky Diode	RB162MM-40TF	R	5110		RS1/16SS104J
	D	5102	Rectifier Diode	RR264MM-400TF	R	5111		RS1/16SS101J
	D	5201	Schottky Diode	RB551VM-30	R	5112		RS1/16SS102J
	D	5202	Diode	RB548W	R	5113		RS1/16SS2402D
	D	5203	Diode	RB548W	R	5115		RS1/16SS1003D
E	D	5204	Diode	RB548W	R	5117		RS1/16SS1502D
	L	5101	SMD SPL Inductor	CTH1558	R	5201		RS1/16SS1002D
	L	5201	Choke Coil 22 uH	CTH1426	R	5202		RS1/16SS1002D
	L	5301	Inductor	CTF1765	R	5203		RS1/16SS8201D
	L	5302	Ferrite Bead	CTF1528	R	5206		RS1/16SS9102D
	L	5303	Chip Beads	VTL1126	R	5207		RS1/16SS1802D
	L	5401	Chip Beads	VTL1126	R	5208		RS1/16SS203J
	L	5402	Chip Beads	VTL1126	R	5209		RS1/16SS104J
	L	5403	Chip Beads	VTL1126	R	5210		RS1/16SS103J
	L	5404	Chip Beads	VTL1126	R	5211		RS1/16SS472J
	L	5405	Chip Beads	VTL1126	R	5212		RS1/16SS1003D
F	L	5406	Chip Beads	VTL1126	R	5213		RS1/16SS9101D
	L	5407	Chip Beads	VTL1126	R	5214		RS1/8SQ2R2J
	L	5408	Chip Beads	VTL1126	R	5216		RS1/16SS3303D
	L	5409	Chip Beads	VTL1126				

5		6		7		8		
<u>Circuit Symbol and No.</u>		<u>Part No.</u>		<u>Circuit Symbol and No.</u>		<u>Part No.</u>		
R	5217		RS1/16SS562J	R	5426		RS1/16SS1000D	
R	5218		RS1/16SS3902D	R	5427		RS1/16SS1000D	
R	5219		RS1/16SS822J	R	5428		RS1/16SS1000D	
R	5220		RS1/16SS103J	R	5429		RS1/16SS221J	
R	5221		RS1/16SS332J	R	5430		RS1/16SS221J	
R	5222		RS1/16SS0R0J	R	5431		RS1/16SS221J	
R	5301		RS1/16SS3R9J	R	5432		RS1/16SS221J	
R	5302		RS1/16SS2R2J	R	5433		RS1/16SS221J	
R	5303		RS1/16SS131J	R	5434		RS1/16SS103J	
R	5304		RS1/16SS470J	R	5435		RS1/16SS103J	
R	5305		RS1/16SS510J	R	5436		RS1/16SS103J	
R	5307		RS1/16SS390J	R	5437		RS1/16SS103J	
R	5308		RS1/16SS1R2J	R	5438		RS1/16SS103J	
R	5309		RS1/16SS750J	R	5439		RS1/16SS103J	
R	5310		RS1/16SS1R5J	R	5440		RS1/16SS221J	
R	5311		RS1/16SS131J					
				<u>CAPACITORS</u>				
R	5312		RS1/16SS750J	C	5001		CKSSYB104K10	
R	5313		RS1/16SS820J	C	5002		CKSSYB103K16	
R	5314		RS1/16SS200J	C	5003		CKSSYB103K16	
R	5315		RS1/16SS470J	C	5004		CKSSYB104K10	
R	5317		RS1/16SS560J	C	5005		CKSSYB104K10	
R	5319		RS1/16SS181J					
R	5321		RS1/16SS820J	C	5006		CKSSYB103K16	
R	5327		RS1/16SS153J	C	5007		CKSSYB103K16	
R	5329		RS1/16SS105J	C	5008		CKSRYX106M6R3	
R	5331		RS1/16SS153J	C	5009		CKSSYB104K10	
				C	5010		CKSSYB104K10	
R	5332		RS1/16SS472J					
R	5333		RS1/16SS101J	C	5013		CKSSYX105K10	
R	5334		RS1/16SS273J	C	5014		CKSSYX105K10	
R	5335		RS1/16SS334J	C	5015		CKSRYX106M6R3	
R	5336		RS1/16SS473J	C	5101		CKSSYB332K50	
				C	5103		CKSQYX106K16	
R	5337		RS1/16SS473J					
R	5338		RS1/16SS473J	C	5106		CKSSYX105K16	
R	5339		RS1/16SS473J	C	5107		CKSSYX105K16	
R	5340		RS1/16SS473J	C	5108		CKSSYB104K16	
R	5341		RS1/16SS473J	C	5109		CKSSYX105K10	
				C	5110		CCSSCH101J50	
R	5343		RS1/16SS470J					
R	5403		RS1/16SS221J	C	5112		CKSYX106K35	
R	5404		RS1/16SS221J	C	5114		CKSRYB224K16	
R	5405		RS1/16SS221J	C	5201		CKSSYB224K6R3	
R	5406		RS1/16SS221J	C	5203		CKSSYX105K10	
				C	5204		CKSSYB224K6R3	
R	5407		RS1/16SS221J					
R	5408		RS1/16SS221J	C	5205		CKSRYX104K50	
R	5409		RS1/16SS221J	C	5206		CKSSYB222K50	
R	5410		RS1/16SS221J	C	5207		CKSSYB102K50	
R	5411		RS1/16SS221J	C	5208		CKSSYX105K16	
				C	5209		CKSSYX105K10	
R	5412		RS1/16SS221J					
R	5413		RS1/16SS330J	C	5210		CKSRYX105K25	
R	5414		RS1/16SS221J	C	5212		CKSRYX105K25	
R	5415		RS1/16SS221J	C	5213		CKSRYX104K50	
R	5416		RS1/16SS221J	C	5214		CKSRYX104K50	
				C	5215		CKSRYX104K50	
R	5417		RS1/16SS221J					
R	5418		RS1/16SS221J	C	5217		CKSQYX475K25	
R	5419		RS1/16SS221J	C	5218		CKSSYB682K25	
R	5420		RS1/16SS221J	C	5219		CKSRYX475K6R3	
R	5421		RS1/16SS221J	C	5220		CKSSYB103K16	
				C	5221		CKSSYB561K50	
R	5422		RS1/16SS221J					
R	5423		RS1/16SS221J	C	5222		CKSQYX475K25	
R	5424		RS1/16SS1000D	C	5224		CKSSYB332K50	
R	5425		RS1/16SS1000D					

Circuit Symbol and No.Part No.Circuit Symbol and No.Part No.

C	5301	CKSSYB102K50
C	5302	CKSSYB102K50
C	5303	CKSSYB102K50
A	C 5304	CKSSYB104K16
C	5305	CKSQYX475K25
C	5306	CKSSYB104K16
C	5307	CKSSYB104K10
C	5308	CKSSYB104K10
C	5309	CKSSYB104K16
C	5311	CKSYX106K35
C	5312	CKSSYB102K50
C	5314	CKSSYB104K10
C	5315	CKSQYX106K10
B	C 5318	CKSRYX104K50
C	5319	CKSQYB334K50
C	5322	CKSSYB104K16
C	5323	CKSQYX475K25
C	5326	CKSSYB104K10
C	5327	CKSYX106K35
C	5328	CKSRYX225K10
C	5329	CKSSYB102K50
C	5330	CKSSYB102K50
C	5331	CKSRYX105K16
C	5332	CCSSCH330J50
C	5333	CKSSYB104K10
C	5402	CKSSYB103K16
C	5406	CKSSYB103K16
C	5410	CKSSYB104K10
C	5411	CKSSYB104K10
C	5412	CKSSYB104K10
C	5413	CKSSYB104K10
C	5414	CKSSYB104K10
C	5415	CKSSYB104K10
C	5416	CKSSYB104K10
C	5418	CKSSYX105K10
D	C 5419	CKSSYX105K10
C	5420	CCSSCH820J50
C	5421	CKSSYB103K16
C	5422	CKSSYB103K16
C	5423	CKSSYB104K10
C	5424	CKSSYB103K16
C	5425	CKSSYB103K16
C	5426	CKSRYX106M6R3
C	5427	CKSSYB103K16
C	5428	CKSSYB103K16
C	5429	CKSQYX225K16
E	C 5430	CKSSYB104K10
C	5431	CKSSYB103K16
C	5432	CKSSYB104K10
C	5433	CKSSYB103K16
C	5434	CKSSYB104K10
C	5435	CKSSYB103K16
C	5436	CKSSYB103K16
C	5437	CKSSYB103K16

MISCELLANEOUS

IC	1002	Regulator IC	MM1886A50P
IC	1004	IC	NJM2856DL3-33
IC	1005	Regulator IC	MM3571A12P
IC	1201	IC	BD8217EFV
IC	1401	Flash ROM Unit	CWJ3339
IC	1402	Flash ROM Unit	CWJ3340
IC	1480	RAM IC	W9864G6KH-5
IC	1501	IC	MN2DS0018MA
Q	1101	Bipolar TR	LSCR523UB
Q	1102	Bipolar TR	LSCR523UB
Q	1103	Transistor	2SB1132
Q	1104	Transistor	2SB1132
L	1500	Chip Beads	VTL1126
L	1512	Inductor	CTF1743
L	1900	Inductor	CTF1487
L	1901	Inductor	CTF1558
L	1902	Inductor	CTF1734
X	1501	Resonator 27.000 MHz	CSS1768
CN	1101	FFC/FPC Connector	CKS6628
CN	1201	FFC/FPC Connector	CKS6640
CN	1301	FFC/FPC Connector	CKS6704
CN	1901	Connector	CKS6025

RESISTORS

R	1101	RS1/16SS104J
R	1102	RS1/16SS104J
R	1103	RS1/16SS391J
R	1104	RS1/16SS511J
R	1105	RS1/16SS4300F
R	1106	RS1/16SS5600F
R	1109	RS1/16SS3R3J
R	1110	RS1/16SS3R3J
R	1111	RS1/10SR2R2J
R	1112	RS1/10SR2R2J
R	1113	RS1/10SR3R3J
R	1114	RS1/10SR3R9J
R	1115	RS1/10SR2R2J
R	1116	RS1/10SR2R2J
R	1117	RS1/10SR3R9J
R	1118	RS1/10SR3R9J
R	1200	RS1/16SS753J
R	1201	RS1/16SS753J
R	1205	RS1/16SS1R0J
R	1210	RS1/16SS101J
R	1211	RS1/16SS102J
R	1212	RS1/16SS102J
R	1213	RS1/10SR1R0J
R	1214	RS1/10SR1R0J
R	1215	RS1/10SR1R0J
R	1216	RS1/10SR1R0J
R	1218	RS1/16SS1R0J
R	1219	RS1/16SS1R0J
R	1222	RS1/16SS1R0J
R	1223	RS1/16SS1R0J
R	1226	RS1/16SS101J
R	1304	RS1/16SS563J
R	1305	RS1/16SS243J

Unit Number : CWX4733

Unit Name : DVD Core Unit (MS7.3)

	1	2
	<u>Circuit Symbol and No.</u>	<u>Part No.</u>
	C 1487	CKSSYB104K10
	C 1488	CKSSYB104K10
	C 1489 10 uF	CCG1192
A	C 1501 10 uF	CCG1192
	C 1502 10 uF	CCG1192
	C 1503	CKSSYB104K10
	C 1504	CKSSYB104K10
	C 1505	CKSSYB104K10
	C 1506	CKSSYB104K10
	C 1507	CKSSYB104K10
	C 1508	CKSSYB104K10
	C 1509	CKSSYB104K10
	C 1510	CCSSCH120J50
B	C 1511	CKSSYB104K10
	C 1512	CCSSCH100D50
	C 1513	CKSSYB104K10
	C 1514	CKSSYB104K10
	C 1515	CKSSYB104K10
	C 1516	CKSSYB104K10
	C 1517	CKSSYB104K10
	C 1518	CKSSYB104K10
	C 1519	CKSSYB104K10
	C 1520	CKSSYB104K10
	C 1521	CKSSYB104K10
C	C 1522	CKSSYB104K10
	C 1523	CKSSYB471K50
	C 1524	CKSSYB473K16
	C 1525	CKSSYB103K16
	C 1526	CKSSYB103K16
	C 1528	CKSSYB471K50
	C 1529	CKSSYB103K16
	C 1530	CKSSYB104K10
	C 1531	CKSSYB473K16
	C 1601	CKSSYB103K16
	C 1602	CCSSCH101J50
D	C 1603	CCSSCH101J50
	C 1604	CCSSCH680J50
	C 1605	CCSSCH680J50
	C 1606	CKSSYB104K10
	C 1607 10 uF	CCG1192
	C 1608	CKSRYB105K10
	C 1609	CKSSYB104K10
	C 1612	CKSSYB104K10
	C 1613	CKSSYB104K10
	C 1614	CKSSYB104K10
	C 1615	CKSSYB104K10
E	C 1616	CKSSYB104K10
	C 1617	CKSSYB104K10
	C 1618	CCSSCH101J50
	C 1619	CKSSYB562K25
	C 1620	CKSSYB224K6R3
	C 1621	CKSSYB224K6R3
	C 1622	CKSSYB333K16
	C 1623	CKSRYB105K10
	C 1624	CKSSYB104K10
	C 1625	CKSSYB104K10
F	C 1628	CKSSYB103K16
	C 1700	CKSSYB104K10
	C 1701	CKSSYB104K10
	C 1702	CKSRYB105K10

	3	4
	<u>Circuit Symbol and No.</u>	<u>Part No.</u>
	C 1703	CKSSYB104K10
	C 1704	CKSSYB104K10
	C 1705	CKSRYB105K10
	C 1801	CKSSYB102K50
	C 1905	CKSSYB102K50
	C 1908	CKSSYB102K50

D
Unit Number : CWX3864
Unit Name : Compound Unit (A)

MISCELLANEOUS

S 1201	Spring Switch (12 cm)	CSN1080
S 1202	Spring Switch (8 cm)	CSN1080
S 1203	Spring Switch (DISC SENS)	CSN1082
S 1204	Spring Switch (DISC SENS)	CSN1083
S 1205	Spring Switch (8 cm)	CSN1081

E
Unit Number : CWX3394
Unit Name : Compound Unit (B)

MISCELLANEOUS

S 1206	Spring Switch (CLAMP)	CSN1080
--------	-----------------------	---------

F
Unit Number : QWM5215
Unit Name : Keyboard Unit

MISCELLANEOUS

Q 6001	Bipolar TR	HN1C01FUS1
Q 6002	Bipolar TR	HN1C01FUS1
Q 6003	Bipolar TR	HN1C01FUS1
D 6001	LED	NSSM124-6717
D 6002	LED	NSSM124-6717
S 6001	Switch	CSN1057
U 6001	Remote Receiver Unit	RS-470
S 6002	Push Switch	CSG1155
S 6003	Push Switch	CSG1155
S 6004	Push Switch	CSG1155
S 6005	Encoder	CSD1168
S 6006	Push Switch	CSG1155
S 6007	Push Switch	CSG1155
S 6008	Push Switch	CSG1155
S 6009	Push Switch	CSG1155
S 6010	Push Switch	CSG1155
S 6011	Push Switch	CSG1155
S 6012	Push Switch	CSG1155
CN 6001	FFC/FPC Connector	CKS6638

RESISTORS

R 6001	RS1/10SR470J
R 6003	RS1/10SR272J
R 6004	RS1/10SR560J
R 6005	RS1/10SR680J

5
Circuit Symbol and No.

6
Part No.

7
Circuit Symbol and No.

8
Part No.

R 6006	RS1/10SR560J
R 6007	RS1/10SR680J
R 6008	RS1/10SR272J
R 6011	RS1/10SR272J
R 6012	RS1/10SR680J
R 6013	RS1/10SR680J
R 6014	RS1/10SR152J
R 6015	RS1/10SR222J
R 6016	RS1/10SR472J
R 6017	RS1/10SR123J
R 6018	RS1/10SR272J
R 6019	RS1/10SR560J
R 6020	RS1/10SR680J
R 6021	RS1/10SR272J
R 6022	RS1/10SR560J
R 6023	RS1/10SR680J
R 6024	RS1/10SR272J
R 6025	RS1/10SR680J
R 6026	RS1/10SR680J
R 6027	RS1/10SR152J
R 6028	RS1/10SR222J
R 6029	RS1/10SR472J
R 6030	RS1/10SR123J

CAPACITORS

C 6001	CKSRyx104K50
C 6002	CKSRyx104K50
C 6009	CKSQYX475K10



Unit Number : CWF2065 (B)
Unit Name : DAB Box Unit

MISCELLANEOUS

IC 3061	Regulator IC (B)	MM3479A33P
IC 3071	Regulator IC (B)	MM3479A33P
IC 3081	Regulator IC (B)	MM3479A33P
IC 3091	Regulator IC (B)	MM3479A12P
IC 8401	Tuner IC (B)	TEF6686HN-V102
Q 3051	Transistor (B)	2SD2153
Q 3052	Transistor (B)	2SAR293PGZE
Q 3053	Resistor Built-IN TR (B)	LTC014EEB
D 3051	Zener Diode (B)	DZ2J160M0
D 3091	Rectifier Diode (B)	RR264MM-400TF
D 3092	Rectifier Diode (B)	RR264MM-400TF
D 8451	Diode (B)	EZAEG2A50AX
D 8452	Diode (B)	EZAEG2A50AX
D 8453	Diode (B)	DZ2S068C
L 3101	Inductor (B)	CTF1786
L 3102	Inductor (B)	CTF1872
L 3103	Inductor (B)	CTF1872
L 8401	SMD Ferrite Beads (B)	CTF1893
L 8403	Inductor (B)	LCYC150K1608
L 8405	Inductor (B)	LCMAR27J1608
L 8409	Inductor (B)	CTF1389
X 8401	Crystal Resonator 9.216 MHz (B)	CSS1888
P 8451	Surge Absorber (B)	IMSA-6803-01Y900
VL 8401	Variable Coil (B)	CTC1215

JA 3001	Connector (B)
JA 8451	Antenna Jack (B)
U 3101	WWR Tuner Unit (B)

RESISTORS

R 307	(B)	RS1/16SS102J
R 3001	(B)	RS1/16SS0R0J
R 3003	(B)	RS1/16SS0R0J
R 3005	(B)	RS1/16SS0R0J
R 3006	(B)	RS1/16SS0R0J
R 3007	(B)	RS1/16SS0R0J
R 3008	(B)	RS1/16SS0R0J
R 3009	(B)	RS1/16SS0R0J
R 3010	(B)	RS1/16SS0R0J
R 3011	(B)	RS1/16SS0R0J
R 3012	(B)	RS1/16SS0R0J
R 3013	(B)	RS1/16SS0R0J
R 3014	(B)	RS1/16SS0R0J
R 3051	(B)	RS1/16SS911J
R 3052	(B)	RS1/16SS103J
R 3053	(B)	RS1/4SA471J
R 3054	(B)	RS1/4SA471J
R 3055	(B)	RS1/16SS104J
R 3056	(B)	RS1/16SS183J
R 3064	(B)	RS1/16SS102J
R 3072	(B)	RS1/16SS102J
R 3092	(B)	RS1/16SS102J
R 3101	(B)	RS1/16SS0R0J
R 3102	(B)	RS1/16SS0R0J
R 3103	(B)	RS1/16SS0R0J
R 3104	(B)	RS1/16SS221J
R 3105	(B)	RS1/16SS221J
R 3106	(B)	RS1/16SS221J
R 3107	(B)	RS1/16SS221J
R 3108	(B)	RS1/16SS0R0J

R 8401	(B)	RS1/16SS0R0J
R 8404	(B)	RS1/16SS103J
R 8406	(B)	RS1/16SS103J
R 8407	(B)	RS1/16SS222J
R 8408	(B)	RS1/16SS222J
R 8409	(B)	RS1/16SS101J
R 8410	(B)	RS1/16SS101J
R 8412	(B)	RS1/16SS391J
R 8413	(B)	RS1/16SS105J
R 8414	(B)	RS1/16SS105J
R 8440	(B)	RS1/16SS0R0J
R 8441	(B)	RS1/16SS0R0J
R 8442	(B)	RS1/16SS0R0J
R 8443	(B)	RS1/16SS0R0J

CAPACITORS

C 3004	(B)	CCSSCH102J50
C 3005	(B)	CCSSCH102J50
C 3051	(B)	CKSSYB104K16
C 3052	(B)	CKSRyx104K50
C 3054	1000 pF (B)	CCG1345
C 3061	(B)	CKSRyx105K10
C 3062	(B)	CKSRyx105K10
C 3064	(B)	CKSSYB104K10

	1	2
	<u>Circuit Symbol and No.</u>	<u>Part No.</u>
	C 3072 (B)	CKSRYB105K10
	C 3073 (B)	CKSRYB105K10
A	C 3074 (B)	CKSSYB104K10
	C 3081 (B)	CKSRYB105K10
	C 3082 (B)	CKSRYB105K10
	C 3083 (B)	CKSSYB104K10
	C 3084 (B)	CKSSYB104K10
	C 3091 (B)	CKSRYB105K10
	C 3092 (B)	CKSRYB105K10
	C 3093 (B)	CKSSYB104K10
	C 3101 (B)	CKSSYB104K10
	C 3102 1000 pF (B)	CCG1345
	C 3103 (B)	CKSQYX106K10
B	C 3104 (B)	CKSSYB104K10
	C 3105 (B)	CKSQYX106K10
	C 3106 (B)	CKSSYB104K10
	C 3108 (B)	CKSSYB104K10
	C 3111 (B)	CCSSCH101J50
	C 3112 (B)	CCSSCH101J50
	C 3113 (B)	CCSSCH101J50
	C 3114 (B)	CCSSCH101J50
	C 8401 (B)	CKSSYB104K16
	C 8402 (B)	CKSSYB104K16
	C 8403 (B)	CKSQYX106K10
C	C 8404 (B)	CKSQYX106K10
	C 8405 (B)	CKSSYB104K16
	C 8407 (B)	CKSSYB224K6R3
	C 8408 (B)	CKSSYB102K50
	C 8409 (B)	CKSSYB104K16
	C 8411 (B)	CCSSCH220J50
	C 8412 (B)	CCSSCH331J50
	C 8415 (B)	CKSSYB104K16
	C 8416 (B)	CKSRYX106M6R3
	C 8418 (B)	CCSSCH102J50
	C 8419 (B)	CCSSCH471J50
D	C 8423 (B)	CKSSYB152K50
	C 8427 (B)	CCSSCH100D50

H

Unit Number : EXX3008
Unit Name : Main PCB Unit

MISCELLANEOUS

E	IC 1	IC	BA6247FP
	Q 1	Resistor Built-IN TR	LTC024EEB
	D 1	Zener Diode	DZ2J056M0
	S 1	Spring Switch (DEG0)	CSN1081
	CN 1	Connector	CKS6063

RESISTORS

	R 1	RS1/16SS272J
	R 2	RS1/16SS471J
	R 3	RS1/16SS102J
	R 4	RS1/16SS102J
	R 5	RS1/16SS102J
F	R 6	RS1/16SS183J

	3	4
	<u>Circuit Symbol and No.</u>	<u>Part No.</u>
	<u>CAPACITORS</u>	
	C 1	CEVW101M16
	C 2	CKSSYB104K16
	C 3	CKSRYB105K16
	C 4	CKSSYB104K16
	C 5	CKSSYB223K16
	C 6	CKSSYB223K16
	C 7	CKSSYB104K10

I

Unit Number : EXX3009
Unit Name : SW PCB Unit

MISCELLANEOUS

S 51	Spring Switch (CLOSE)	CSN1080
VR 51	Variable Resistor 10 kohm	CCW1029
S 52	Spring Switch (OPEN)	CSN1080

RESISTORS

R 51	RS1/16SS272J
R 52	RS1/16SS273J
R 53	RS1/16SS472J
R 54	RS1/16SS563J

CAPACITORS

C 51	CKSSYB104K10
C 52	CKSSYB104K10