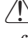
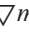
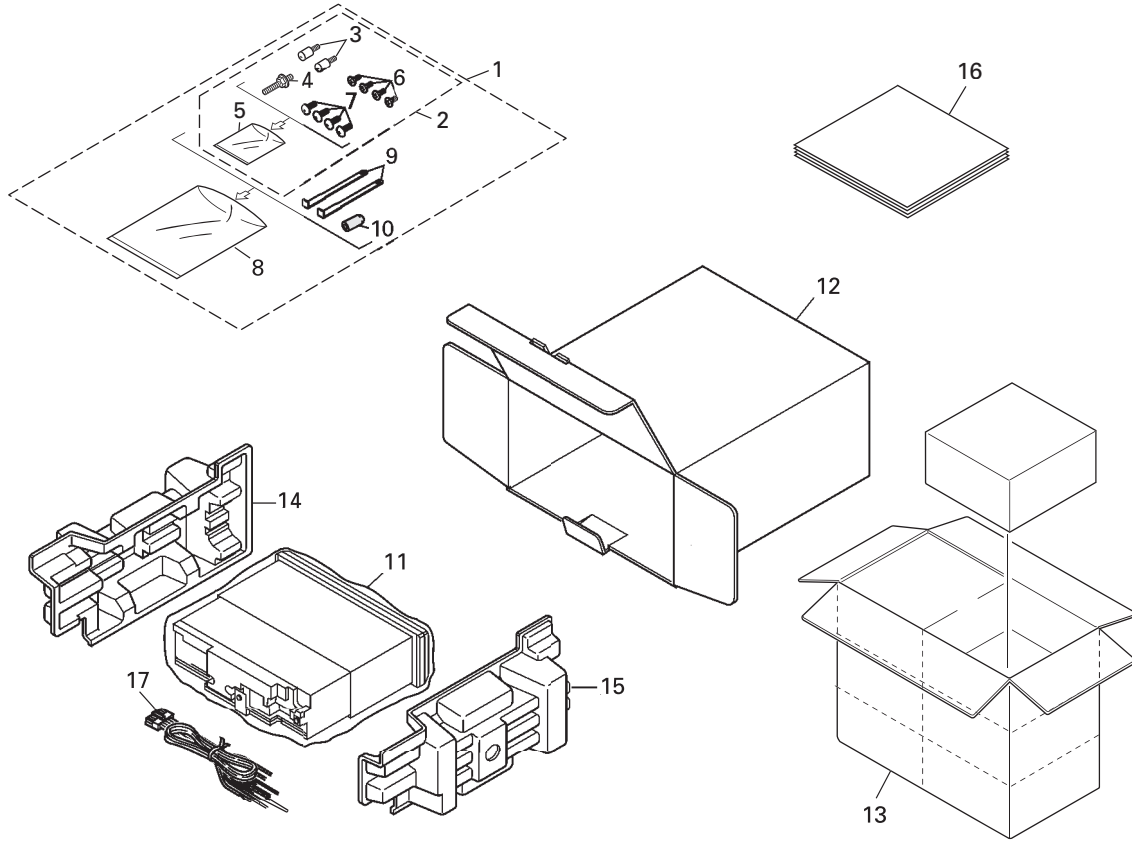


## 2. EXPLODED VIEWS AND PARTS LIST

NOTES : • Parts marked by " \* " are generally unavailable because they are not in our Master Spare Parts List.

- The  mark found on some component parts indicates the importance of the safety factor of the part. Therefore, when replacing, be sure to use parts of identical designation.
- Screw adjacent to  mark on the product are used for disassembly.
- For the applying amount of lubricants or glue, follow the instructions in this manual.  
(In the case of no amount instructions, apply as you think it appropriate.)

### 2.1 PACKING(DEH-2800MP/XN/UC)



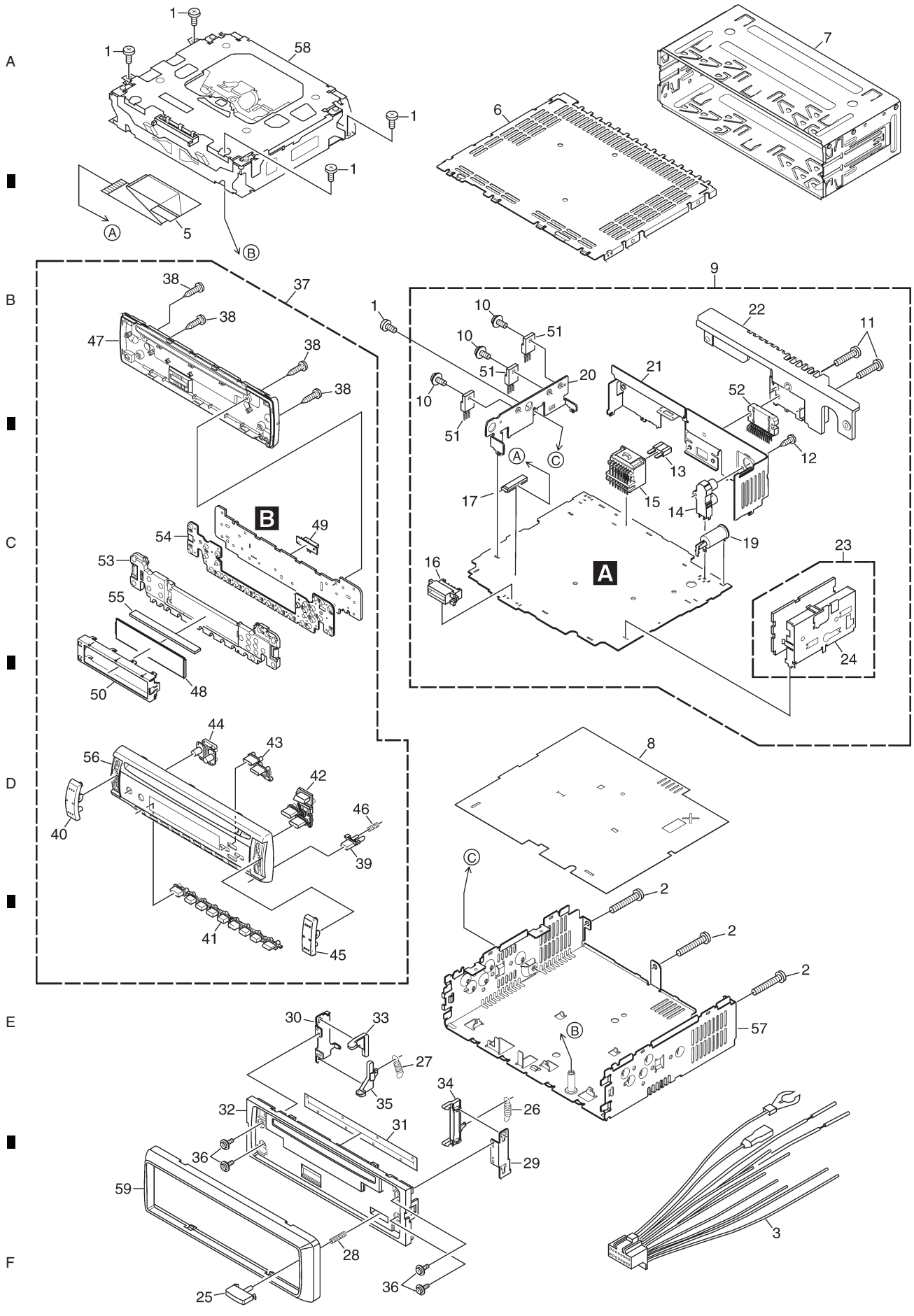
**PACKING(DEH-2800MP/XN/UC) SECTION PARTS LIST**

<u>Mark No.</u>	<u>Description</u>	<u>Part No.</u>	<u>Mark No.</u>	<u>Description</u>	<u>Part No.</u>
1	Accessory Assy	CEA4610	11	Polyethylene Bag	CEG1173
2	Screw Assy	CEA6002	12	Carton	CHG5633
3	Fixing Screw(M2 x 4)	CBA1994	13	Contain Box	CHL5633
4	Screw	CBA1650	14	Protector	CHP2664
* 5	Polyethylene Bag	CEG-127	15	Protector	CHP2868
6	Screw	CRZ50P090FTC	16-1	Owner's Manual	CRD4027
7	Screw	TRZ50P080FTC	16-2	Installation Manual	CRD4028
* 8	Polyethylene Bag	CEG-158	16-3	Caution Card	CRP1310
9	Handle	CNC5395	* 16-4	Warranty Card	CRY1247
10	Bush	CNV3930	17	Cord Assy	XDE7008

**Owner's Manual,Installation Manual**

<b>Part No.</b>	<b>Language</b>
CRD4027	English, French, Spanish
CRD4028	English, French, Spanish

# 2.3 EXTERIOR



**(1) EXTERIOR SECTION PARTS LIST**

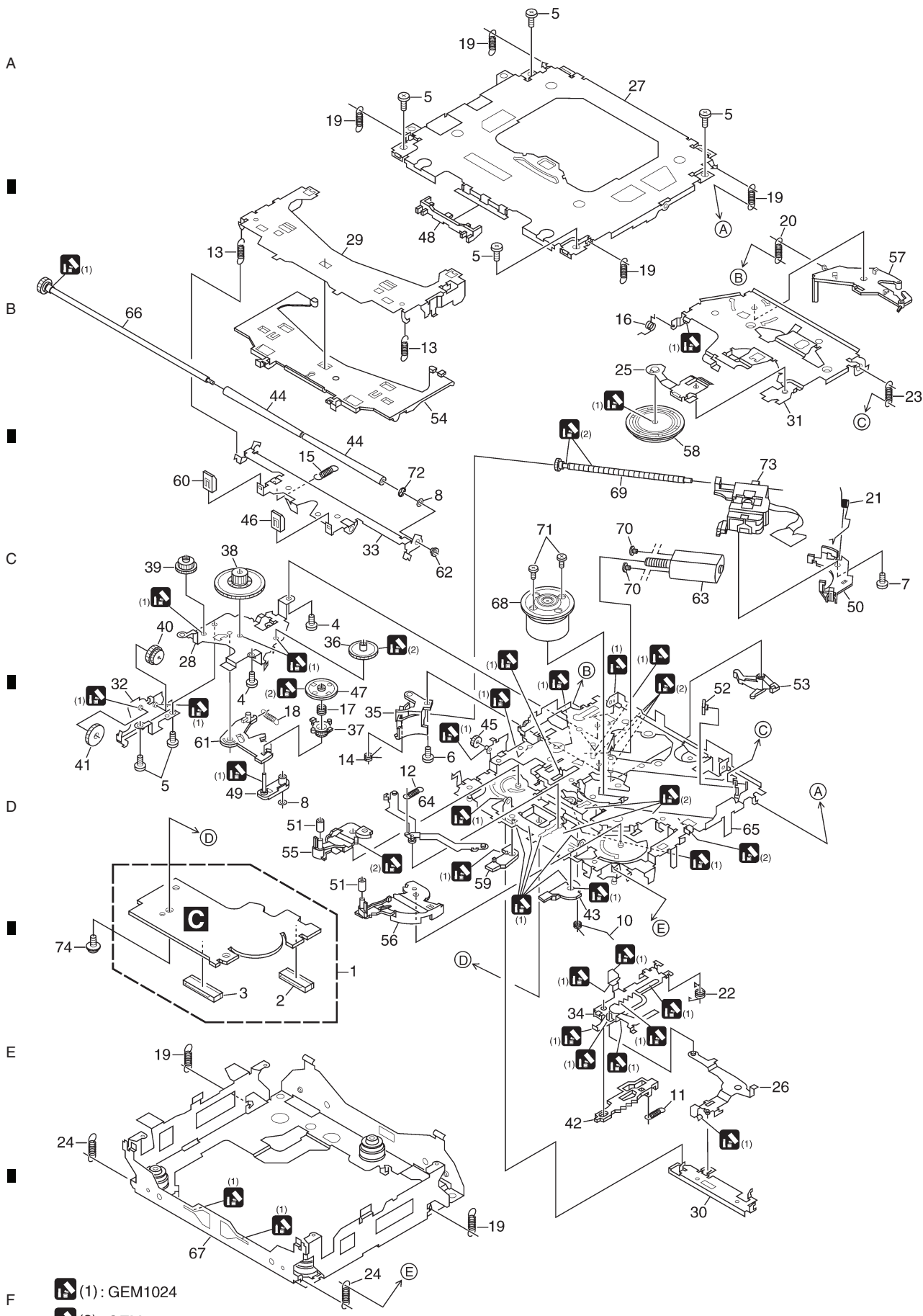
<u>Mark No.</u>	<u>Description</u>	<u>Part No.</u>	<u>Mark No.</u>	<u>Description</u>	<u>Part No.</u>
1	Screw	BSZ26P060FTC			
2	Screw	BSZ26P100FTC	31	Cover	CNM6276
3	Cord Assy	XDE7008	32	Panel	CNS8404
4	*****		33	Arm	CNV4692
5	Cable	CDE7985	34	Arm	CNV4728
			35	Arm	CNV5576
6	Case	CNB2793			
7	Holder	CNC8659	36	Screw	IMS20P030FTB
8	Insulator	CNM9145	37	Detach Grille Assy	See Contrast table(2)
9	Tuner Amp Unit	See Contrast table(2)	38	Screw	BPZ20P100FTB
10	Screw	ASZ26P060FTC	39	Button(DETACH)	CAC9382
			40	Button(VOLUME(+/-))	See Contrast table(2)
11	Screw	BMZ26P160FTC			
12	Screw	BPZ26P080FTC	41	Button(CLOCK,1-6,LOCAL/BSM,AUDIO)	CAC9385
⚠ 13	Fuse(10 A)	CEK1208	42	Button(↑,→,EJECT)	CAC9386
14	Pin Jack(CN352)	CKB1059	43	Button(↓,←)	CAC9387
15	Plug(CN901)	CKM1376	44	Button(EQ,DISPLAY)	CAC9388
			45	Button(SOURCE,BAND)	See Contrast table(2)
16	Connector(CN831)	CKS3581			
17	Connector(CN651)	CKS3834	46	Spring	CBH2210
18	*****		47	Cover	CNS8367
19	Antenna Jack(CN401)	CKX1056	48	LCD	See Contrast table(2)
20	Holder	CND2414	49	Connector(CN1801)	CKS3580
			50	Holder	CND2949
21	Holder	CND2413			
22	Heat Sink	CNR1762	51	Transistor(Q911,921,991)	2SD2396
23	FM/AM Tuner Unit	CWE1952	52	IC(IC302)	PAL007B
24	Holder	CND1054	53	Lighting Conductor	CNV8712
25	Button(DETACH)	CAC4836	54	Rubber	CNV8713
			55	Connector	CNV8714
26	Spring	CBH1835			
27	Spring	CBH2208	56	Grille Unit	See Contrast table(2)
28	Spring	CBH2367	57	Chassis Unit	CXC3600
29	Bracket	CNC6791	58	CD Mechanism Module(S10.5)	CXK5752
30	Holder	CNC8042	59	Panel	See Contrast table(2)

**(2) CONTRAST TABLE**

DEH-2800MP/XN/UC and DEH-2850MP/XN/ES are constructed the same except for the following:

<b>Mark</b>	<b>No.</b>	<b>Description</b>	<b>DEH-2800MP/XN/UC</b>	<b>DEH-2850MP/XN/ES</b>
	9	Tuner Amp Unit	CWN1275	CWN1276
	37	Detach Grille Assy	CXC5244	CXC5245
	40	Button(VOLUME(+/-))	CAC9751	CAC9383
	45	Button(SOURCE, BAND)	CAC9752	CAC9384
	48	LCD	CAW1906	CAW1905
	56	Grille Unit	CXC5277	CXC5279
	59	Panel	CNS8389	CNS8385

# 2.4 CD MECHANISM MODULE



F  
 (1): GEM1024  
 (2): GEM1045

## CD MECHANISM MODULE SECTION PARTS LIST

<u>Mark No.</u>	<u>Description</u>	<u>Part No.</u>	<u>Mark No.</u>	<u>Description</u>	<u>Part No.</u>
1	CD Core Unit(S10.5COMP1)	CWX3176	50	Rack	CNV8342
2	Connector(CN101)	CKS4182			
3	Connector(CN901)	CKS5284	51	Roller	CNV8343
4	Screw	BMZ20P025FTC	52	Holder	CNV8344
5	Screw	BSZ20P040FTC	53	Arm	CNV8345
			54	Guide	CNV8347
6	Screw(M2 x 3)	CBA1511	55	Arm	CNV8348
7	Screw(M2 x 4)	CBA1835			
8	Washer	CBF1038	56	Arm	CNV8349
9	.....		57	Arm	CNV8350
10	Spring	CBH2609	58	Clamper	CNV8365
			59	Arm	CNV8386
11	Spring	CBH2612	60	Guide	CNV8396
12	Spring	CBH2614			
13	Spring	CBH2616	61	Arm	CNV8413
14	Spring	CBH2617	62	Collar	CNV8938
15	Spring	CBH2620	63	Motor Unit(M2)	CXC4026
			64	Arm Unit	CXC4027
16	Spring	CBH2855	65	Chassis Unit	CXC4028
17	Spring	CBH2937			
18	Spring	CBH2735	66	Gear Unit	CXC4029
19	Spring	CBH2854	67	Frame Unit	CXC4031
20	Spring	CBH2642	68	Motor Unit(M1)	CXC6742
			69	Screw Unit	CXC6359
21	Spring	CBH2856	70	Screw	JFZ20P020FTC
22	Spring	CBH2857			
23	Spring	CBH2860	71	Screw	JGZ17P022FTC
24	Spring	CBH2861	72	Washer	YE20FTC
25	Spring	CBL1686	73	Pickup Unit(P10.5)(Service)	CXX1942
			74	Screw	IMS26P030FTC
26	Arm	CND1909			
27	Frame	CND2582			
28	Bracket	CND2583			
29	Arm	CND2584			
30	Lever	CND2585			
31	Arm	CND2586			
32	Bracket	CND2587			
33	Arm	CND2588			
34	Lever	CND2589			
35	Holder	CNV7201			
36	Gear	CNV7207			
37	Gear	CNV7208			
38	Gear	CNV7209			
39	Gear	CNV7210			
40	Gear	CNV7211			
41	Gear	CNV7212			
42	Rack	CNV7214			
43	Arm	CNV7216			
44	Roller	CNV7218			
45	Gear	CNV7219			
46	Guide	CNV7361			
47	Gear	CNV7595			
48	Guide	CNV7799			
49	Arm	CNV7805			

# 5. ELECTRICAL PARTS LIST

**NOTE:**

- Parts whose parts numbers are omitted are subject to being not supplied.
- The part numbers shown below indicate chip components.

Chip Resistor

RS1/○S○○○○J,RS1/○○S○○○○J

Chip Capacitor (except for CQS.....)

CKS....., CCS....., CSZS.....

- The  $\triangle$  mark found on some component parts indicates the importance of the safety factor of the part. Therefore, when replacing, be sure to use parts of identical designation.
- Meaning of the figures and others in the parentheses in the parts list.

Example) IC 301 is on the point (face A, 91 of x-axis, and 111 of y-axis) of the corresponding PC board.

IC 301 (A, 91, 111) IC NJM2068V

**Circuit Symbol and No. Part No.**  
**Unit Number: CWN1275(DEH-2800MP/XN/UC)**

**Unit Number: CWN1276(DEH-2850MP/XN/ES)**

**Unit Name : Tuner Amp Unit**

**Unit Number:**

**Unit Name : Keyboard Unit**

**Unit Number: CWX3176**

**Unit Name : CD Core**

**Unit(S10.5COMP1)**

**A**

**Unit Number: CWN1275(DEH-2800MP/XN/UC)**

**Unit Number: CWN1276(DEH-2850MP/XN/ES)**

**Unit Name : Tuner Amp Unit**

**MISCELLANEOUS**

IC 151	(B,133,80) IC	PML014A
IC 302	(A,94,135) IC	PAL007B
IC 601	(B,87,62) IC	PE5518A
IC 901	(B,143,29) IC	NJM2885DL1-33
IC 963	(B,62,83) IC	BD4834G

Q 352	(B,160,129) Transistor	UMH3N
Q 452	(B,139,128) Transistor	UMD2N
Q 801	(B,80,29) Transistor	2SA1036K
Q 821	(B,43,15) Transistor	2SA1036K
Q 822	(B,31,17) Transistor	DTC114EU

Q 911	(A,8,116) Transistor	2SD2396
Q 912	(B,9,128) Transistor	UMD2N
Q 921	(A,8,103) Transistor	2SD2396
Q 923	(B,24,79) Transistor	UMD2N

Circuit Symbol and No.	Part No.	Circuit Symbol and No.	Part No.
Q 931	(B,61,107) Transistor	UMX1N	
Q 991	(A,8,69) Transistor	2SD2396	
Q 992	(B,21,58) Transistor	UMD2N	
D 551	(A,62,124) Diode	MPG06G-6415G3	
D 552	(A,59,124) Diode	MPG06G-6415G3	
D 901	(A,35,131) Diode	MPG06G-6415G3	
D 902	(A,35,128) Diode	MPG06G-6415G3	
D 911	(A,21,106) Diode	MPG06G-6415G3	
D 912	(A,18,120) Diode	HZS6L(B2)	
D 921	(A,24,87) Diode	HZS9L(B3)	
D 931	(A,69,115) Diode	HZS7L(C3)	
D 932	(A,54,108) Diode	HZS7L(A1)	
D 961	(A,56,74) Diode	1SS133	
D 991	(A,20,66) Diode	HZS7L(C3)	
L 151	(A,146,93) Inductor	LAU2R2K	
L 401	(A,157,58) Inductor	LAU2R2K	
L 402	(A,148,88) Inductor	LAU2R2K	
L 404	(B,160,101) Inductor	LCTAW220J2520	
L 601	(A,93,85) Ferri-Inductor	LAU100K	
L 602	(A,103,67) Inductor	LAU2R2K	
L 651	(A,41,38) Ferri-Inductor	LAU100K	
L 801	(A,88,25) Inductor	LAU2R2K	
L 901	(A,36,108) Choke Coil 600μH	CTH1280	
X 601	(A,103,71) Radiator 12.58291MHz	CSS1402	
$\triangle$ FU352	(B,143,135) Fuse 3A	CEK1286	
$\triangle$	Fuse 10A	CEK1208	
AR401	(A,161,110) Arrester FM/AM Tuner Unit	DSP-201M-S00B CWE1952	

**RESISTORS**

R 301	(B,93,104)	RS1/16S153J
R 353	(B,144,128)	RS1/16S821J
R 354	(B,164,128)	RS1/16S821J
R 357	(B,145,133)	RS1/16S223J
R 358	(B,164,135)	RS1/16S223J
R 405	(B,155,62)	RS1/16S681J
R 407	(B,159,87)	RAB4C681J
R 414	(B,159,91)	RS1/16S681J
R 420	(B,99,48)	RS1/16S681J
R 421	(B,160,79)	RS1/16S473J

<u>Circuit Symbol and No.</u>		<u>Part No.</u>	<u>Circuit Symbol and No.</u>		<u>Part No.</u>
R 454	(B,135,127)	RS1/16S103J	C 151	(B,160,73)	CKSRYPB224K10
R 455	(B,140,130)	RS1/16S153J	C 152	(B,160,75)	CKSRYPB224K10
R 456	(B,140,133)	RS1/16S221J	C 153	(B,130,69)	CKSRYPB105K6R3
R 457	(B,99,50)	RS1/16S681J	C 154	(B,142,74)	CKSRYPB105K6R3
R 601	(B,100,58) (DEH-2800MP/XN/UC)	RS1/16S333J	C 165	(B,136,91)	CKSRYPB104K16
R 601	(B,100,58) (DEH-2850MP/XN/ES)	RS1/16S473J	C 166	(A,134,92)	CEJQ470M10
R 602	(B,109,58) (DEH-2800MP/XN/UC)	RS1/16S683J	C 167	(A,128,92)	CEJQ100M16
R 606	(B,111,61)	RS1/16S104J	C 301	(B,119,108)	CKSQYB474K16
R 607	(B,107,61)	RS1/16S222J	C 302	(B,128,111)	CKSQYB474K16
R 608	(B,106,74)	RS1/16S0R0J	C 303	(B,131,122)	CKSQYB474K16
R 609	(B,102,43)	RS1/16S473J	C 304	(B,123,107)	CKSQYB474K16
R 610	(B,99,52)	RS1/16S681J	C 305	(B,119,113)	CKSRYPB474K10
R 612	(B,106,57)	RS1/16S103J	C 306	(B,131,114)	CKSRYPB474K10
R 613	(B,72,54)	RS1/16S104J	C 307	(B,134,124)	CKSRYPB474K10
R 633	(B,53,73)	RS1/16S104J	C 308	(B,126,109)	CKSRYPB474K10
R 650	(B,50,50)	RS1/16S102J	C 309	(B,136,132)	CKSQYB225K10
R 651	(B,58,36)	RS1/16S104J	C 310	(B,137,136)	CKSQYB225K10
R 652	(B,60,38)	RS1/16S102J	C 312	(A,104,125)	CEJQ100M16
R 655	(A,76,51)	RD1/4PU102J	C 313	(B,100,142)	CKSRYPB104K16
R 659	(B,84,43)	RS1/16S221J	C 353	(A,134,120)	CEJQ2R2M50
R 660	(B,93,46)	RS1/16S681J	C 354	(A,134,110)	CEJQ2R2M50
R 662	(B,102,40)	RS1/16S682J	C 401	(B,160,69)	CKSRYPB103K50
R 663	(B,81,43)	RS1/16S682J	C 402	(B,154,59)	CKSRYPB103K50
R 670	(B,76,54)	RS1/16S104J	C 403	(A,151,58)	CEJQ470M6R3
R 671	(B,79,43)	RS1/16S104J	C 404	(A,151,95)	CEJQ101M10
R 801	(B,77,29)	RS1/16S153J	C 405	(B,167,97)	CKSRYPB103K50
R 802	(B,95,25)	RS1/16S153J	C 409	(B,147,56)	CCSRCH470J50
R 803	(B,104,23)	RS1/16S222J	C 410	(B,122,15)	CKSRYPB102K50
R 821	(B,34,18)	RS1/16S562J	C 420	(B,108,43)	CCSRCH470J50
R 822	(B,74,29)	RS1/16S102J	C 451	(A,132,132)	CEJQ330M10
R 823	(B,38,15)	RS1/16S103J	C 601	(B,69,83)	CKSRYPB103K50
R 833	(A,80,17)	RD1/4PU222J	C 604	(B,98,75)	CCSRCH200J50
R 834	(A,82,17)	RD1/4PU222J	C 605	(B,102,75)	CCSRCH200J50
R 835	(A,68,20)	RD1/4PU102J	C 608	(B,91,48)	CCSRCH101J50
R 836	(A,72,26)	RD1/4PU104J	C 610	(A,101,82)	CEJQ4R7M35
R 837	(A,78,25)	RD1/4PU103J	C 613	(B,100,78)	CKSRYPB105K6R3
R 838	(B,89,89)	RS1/16S102J	C 651	(B,42,40)	CKSRYPB105K10
R 841	(B,52,15)	RS1/16S1R0J	C 670	(B,44,42)	CCSRCH221J50
R 848	(A,105,46)	RD1/4PU102J	C 801	(B,104,25)	CKSRYPB105K6R3
R 851	(A,103,46)	RD1/4PU102J	C 832	(B,49,13)	CKSRYPB104K16
R 852	(B,91,89)	RS1/16S102J	C 901	(A,36,140)	CEAT332M16(P45)
R 911	(B,11,124)	RS1/16S183J	C 911	(A,16,96)	CEJQ470M10
R 912	(A,8,131)	RD1/4PU152J	C 912	(B,12,133)	CKSRYPB103K50
R 913	(B,18,110)	RS1/16S0R0J	C 913	(A,19,137)	CEAT331M16
R 923	(A,19,90)	RD1/4PU821J	C 921	(A,25,66) 330μF/16V	CCH1326
R 931	(B,65,112)	RS1/16S473J	C 922	(A,24,82)	CEJQ101M16
R 932	(B,65,110)	RS1/16S104J	C 923	(B,23,85)	CKSRYPB103K50
R 933	(A,55,116)	RD1/4PU102J	C 961	(B,56,85)	CKSRYPB473K50
R 934	(B,61,110)	RS1/16S472J	C 962	(B,60,75)	CKSRYPB105K6R3
R 935	(B,55,106)	RS1/16S473J	C 981	(B,135,25)	CKSRYPB334K10
R 936	(B,57,110)	RS1/16S223J	C 983	(A,144,38)	CEJQ470M10
R 940	(B,86,81)	RS1/16S104J	C 991	(B,17,63)	CKSRYPB473K50
R 941	(B,89,81)	RS1/16S104J	C 992	(A,17,54)	CEJQ101M10
R 961	(B,67,78)	RS1/16S102J			
R 962	(B,62,78)	RS1/16S183J			
R 991	(A,20,61)	RD1/4PU271J			
R 992	(A,15,68)	RD1/4PU221J			

**B****Unit Number :****Unit Name : Keyboard Unit****CAPACITORS****MISCELLANEOUS**

**Circuit Symbol and No.****Part No.****Circuit Symbol and No.****Part No.**

IC 1801 (B,32,100) IC PD6340A  
 D 1803 (A,43,67) LED SML-310PT  
 D 1804 (A,43,79) LED SML-310PT  
 D 1805 (A,43,91) LED SML-310PT  
 D 1806 (A,28,29) LED SML-310PT

S 904 (B,42,87) Switch(12EJ)  
 S 905 (B,28,88) Switch(8EJ)

CSN1068  
 CSN1068

**RESISTORS**

D 1807 (A,43,39) LED SML-310PT  
 D 1808 (A,43,55) LED SML-310PT  
 D 1809 (A,28,42) LED SML-310PT  
 D 1810 (A,29,50) LED NESW505C-5273  
 D 1812 (A,17,12) LED SML-310PT

R 101 (B,61,92)  
 R 102 (B,63,92)  
 R 103 (B,63,89)  
 R 104 (A,52,73)  
 R 201 (B,44,57)

RS1/10SR2R4J  
 RS1/10SR2R4J  
 RS1/10SR2R7J  
 RS1/16SS102J  
 RS1/16SS102J

D 1813 (A,31,12) LED SML-310PT  
 D 1814 (A,12,154) LED SML-310PT  
 D 1815 (A,17,168) LED SML-310PT  
 D 1816 (A,31,168) LED SML-310PT  
 D 1817 (A,43,127) LED SML-310PT

R 202 (A,38,62)  
 R 203 (A,37,62)  
 R 214 (A,46,79)  
 R 216 (A,46,81)  
 R 221 (A,44,81)

RS1/16SS473J  
 RS1/16SS473J  
 RS1/16SS472J  
 RS1/16SS472J  
 RS1/16SS103J

D 1818 (A,43,115) LED SML-310PT  
 D 1819 (A,43,103) LED SML-310PT  
 D 1820 (A,28,136) LED SML-310PT  
 D 1821 (A,22,144) LED SML-310PT  
 D 1823 (A,42,140) LED SML-310PT

R 222 (A,45,81)  
 R 225 (B,52,78)  
 R 226 (B,52,77)  
 R 227 (A,44,75)  
 R 228 (A,46,72)

RS1/16SS103J  
 RS1/16SS103J  
 RS1/16SS393J  
 RS1/16SS562J  
 RS1/16SS122J

D 1824 (A,33,144) LED SML-310PT  
 D 1825 (A,28,152) LED SML-310PT  
 X 1801 (B,39,90) Ceramic Resonator 5.00MHz CSS1547  
 LCD(DEH-2800MP/XN/UC) CAW1906  
 LCD(DEH-2850MP/XN/ES) CAW1905

R 229 (A,44,72)  
 R 232 (A,46,75)  
 R 241 (B,26,63)  
 R 243 (B,26,62)  
 R 245 (B,26,69)

RS1/16SS472J  
 RS1/16SS122J  
 RS1/16SS333J  
 RS1/16SS333J  
 RS1/16SS333J

**RESISTORS**

R 1801 (B,28,66) RS1/16S222J  
 R 1802 (B,30,66) RS1/16S222J  
 R 1807 (B,27,29) RS1/4SA471J  
 R 1808 (B,31,42) RS1/4SA471J  
 R 1809 (B,24,42) RS1/4SA681J

R 248 (B,55,74)  
 R 307 (A,19,20)  
 R 308 (A,17,20)  
 R 309 (A,18,18)  
 R 310 (A,17,16)

RS1/16SS105J  
 RS1/16SS183J  
 RS1/16SS183J  
 RS1/16SS183J  
 RS1/16SS183J

R 1810 (B,42,98) RS1/16S104J  
 R 1811 (B,21,29) RS1/4SA681J  
 R 1812 (B,30,123) RS1/4SA471J  
 R 1813 (B,35,128) RS1/4SA471J  
 R 1814 (B,32,133) RS1/4SA681J

R 601 (B,30,47)  
 R 602 (B,28,50)  
 R 606 (B,20,54)  
 R 701 (B,26,44)  
 R 707 (B,32,45)

RS1/16S101J  
 RS1/16S101J  
 RS1/16S0R0J  
 RS1/16SS221J  
 RS1/16SS473J

R 1815 (B,40,136) RS1/4SA471J

R 709 (A,36,35)  
 R 710 (B,41,46)  
 R 712 (A,45,57)  
 R 713 (B,40,57)  
 R 716 (B,29,37)

RS1/16SS222J  
 RS1/16SS102J  
 RS1/16SS222J  
 RS1/16SS222J  
 RS1/16SS472J

**CAPACITORS**

C 1801 (B,42,102) CKSRYB103K50  
 C 1802 (A,28,45) CKSRYF104Z25

R 724 (B,31,36)  
 R 726 (B,23,47)  
 R 727 (B,31,42)  
 R 729 (B,20,48)  
 R 730 (B,20,46)

RS1/16S473J  
 RS1/16SS103J  
 RS1/16SS473J  
 RS1/16SS223J  
 RS1/16SS473J

**C****Unit Number: CWX3176****Unit Name : CD Core****Unit(S10.5COMP1)****MISCELLANEOUS**

IC 201 (B,39,70) IC UPD63763CGJ  
 IC 203 (A,12,16) IC NJM2886DL3-33  
 IC 301 (A,28,18) IC BA5835FP  
 IC 701 (A,32,48) IC PE5505A  
 Q 101 (B,60,89) Transistor 2SA1577

R 740 (A,38,59)  
 R 746 (A,13,38)  
 R 750 (A,40,66)  
 R 902 (A,20,36)  
 R 905 (A,21,36)

RS1/16SS222J  
 RS1/16SS104J  
 RS1/16SS473J  
 RS1/16SS221J  
 RS1/16SS221J

R 906 (B,20,36)  
 R 907 (B,16,62)  
 R 908 (B,16,64)  
 R 911 (B,20,32)

RS1/16SS221J  
 RS1/16SS0R0J  
 RS1/16SS0R0J  
 RS1/16SS0R0J

**CAPACITORS**

Q 701 (B,24,41) Transistor UN2111  
 X 201 (B,28,57) Ceramic Resonator 16.934MHz CSS1603  
 X 701 (A,24,37) Ceramic Resonator 4.000MHz CSS1652  
 S 901 (A,57,57) Switch(HOME) CSN1067  
 S 903 (B,23,78) Switch(DSCSNS) CSN1067

C 103 (B,57,83)  
 C 108 (A,47,66)  
 C 201 (B,46,56)  
 C 202 (B,47,58)

CEVW101M16  
 CKSSYB104K10  
 CKSSYB102K50  
 CKSSYB104K10

<u>Circuit Symbol and No.</u>		<u>Part No.</u>
C 204	(B,35,48)	CEVW220M6R3
C 205	(A,34,63)	CKSSYB104K10
C 208	(B,34,54)	CKSSYB104K10
C 209	(B,31,57)	CKSSYB104K10
C 210	(A,31,66)	CKSRYB105K10
C 216	(B,53,77)	CKSSYB332K50
C 217	(B,52,79)	CKSSYB104K10
C 218	(B,52,76)	CKSSYB473K10
C 219	(B,52,74)	CKSSYB104K10
C 220	(A,46,77)	CKSSYB182K50
C 221	(B,51,74)	CKSSYB104K10
C 222	(A,46,73)	CCSSCH560J50
C 223	(A,44,74)	CCSSCH4R0C50
C 224	(B,52,68)	CKSSYB104K10
C 225	(A,47,67)	CKSSYB103K16
C 226	(A,49,67)	CCSSCH680J50
C 227	(A,48,65)	CCSSCH470J50
C 228	(A,46,62)	CKSSYB103K16
C 232	(A,12,31)	CKSRYB105K10
C 237	(A,31,67)	CKSSYB104K10
C 239	(A,46,74)	CCSSCH220J50
C 246	(A,42,80)	CKSSYB104K10
C 250	(A,42,81)	CKSRYB102K50
C 251	(A,41,83)	CKSRYB102K50
C 303	(A,18,20)	CKSSYB472K25
C 304	(A,17,17)	CKSSYB103K16
C 307	(A,34,15)	CKSSYB104K10
C 308	(A,17,30)	CKSRYB105K10
C 601	(B,25,50)	CCSRCH102J50
C 602	(B,26,51)	CCSRCH102J50
C 701	(B,25,47)	CKSSYB104K10
C 703	(B,28,42)	CKSSYB103K16
C 706	(B,34,43)	CKSSYB104K10
C 707	(A,36,57)	CKSSYB104K10
C 714	(A,24,41)	CKSSYB104K10
C 722	(B,29,45)	CKSQYB475K6R3
C 903	(B,14,54)	CKSSYB471K50
C 907	(B,14,62)	CKSSYB103K16

### Miscellaneous Parts List

	Pickup Unit(P10.5)(Service)	CXX1942
M 1	Motor Unit(SPINDLE)	CXC6742
M 2	Motor Unit(LOADING/CARRIAGE)	CXC4026