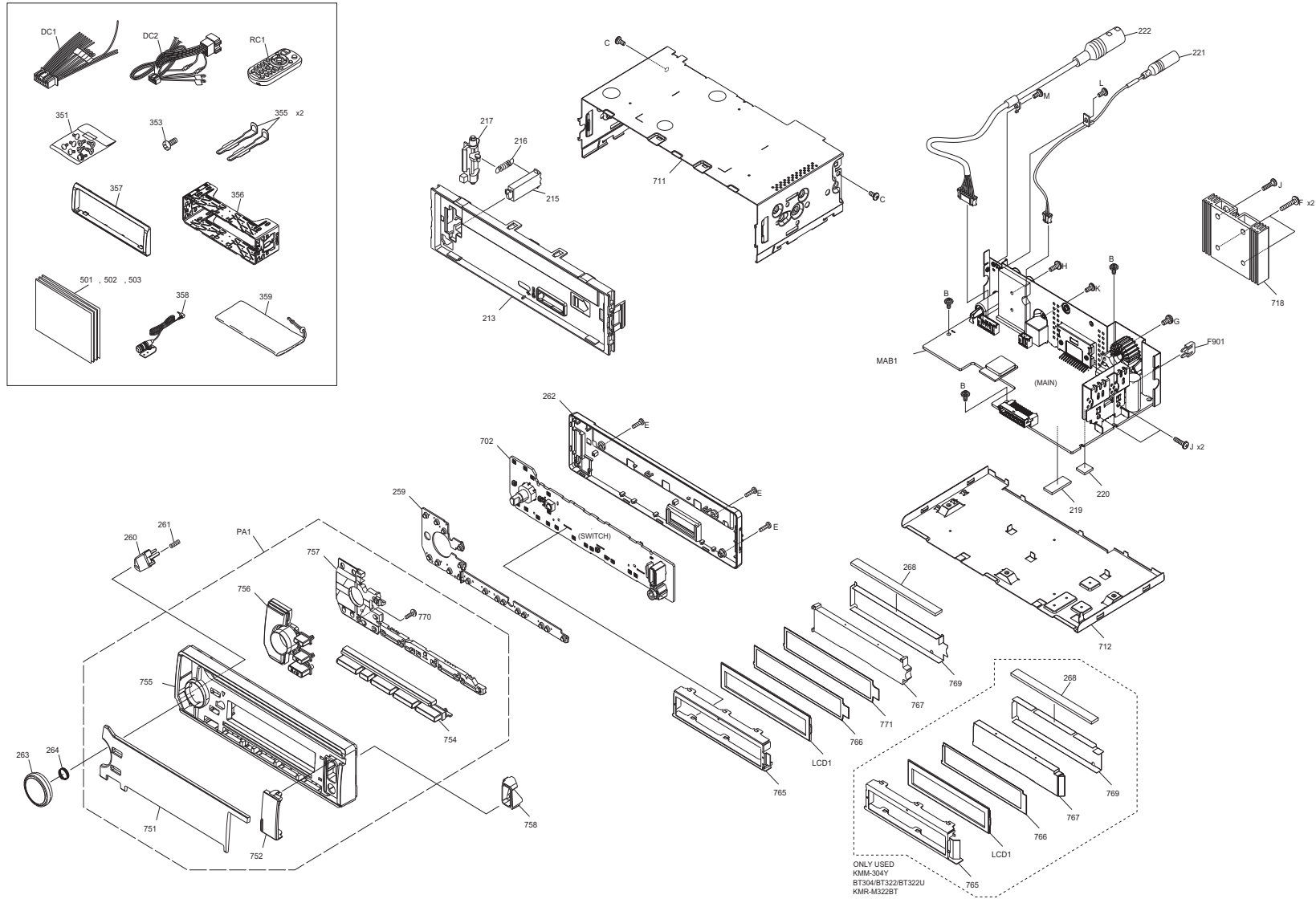


EXPLODED VIEW (UNIT)

Block No.M1MM



MODEL	MARK	MODEL	MARK	MODEL	MARK	MODEL	MARK
KMM-304Y	E3	KMM-BT204	E1	KMM-BT204	M1	KMM-BT222U	K0
KMM-BT240U	K1	KMM-BT304	E2	KMM-BT304	H1	KMM-BT304	M2
KMM-BT322	K4	KMM-BT322U	K3	KMR-M322BT	K2		

Safe	Symbol No.	Parts No.	Parts Name	Description	QTY	Local
------	------------	-----------	------------	-------------	-----	-------

EXPLODED VIEW (UNIT) <M1MM>

△	DC1	E3A-0324-00	DC CORD		1	M1,K0,K1,H1,M2,K4,K3
△	DC2	E3A-0320-00	DC CORD		1	E3,E1,E2
	MAB1	CB-XJ1213E03N	MAIN PWB ASSY	XJ1-213E-03	1	E3
	MAB1	CB-XJ1213E01N	MAIN PWB ASSY	XJ1-213E-01	1	E1
	MAB1	CB-XJ1213M01N	MAIN PWB ASSY	XJ1-213M-01	1	M1
	MAB1	CB-XJ1213K00N	MAIN PWB ASSY	XJ1-213K-00	1	K0,K1
	MAB1	CB-XJ1213E02N	MAIN PWB ASSY	XJ1-213E-02	1	E2
	MAB1	CB-XJ1213M02N	MAIN PWB ASSY	XJ1-213M-02	1	H1,M2
	MAB1	CB-XJ1213K03N	MAIN PWB ASSY	XJ1-213K-03	1	K4
	MAB1	CB-XJ1213K02N	MAIN PWB ASSY	XJ1-213K-02	1	K3
	MAB1	CB-XJ1213K01N	MAIN PWB ASSY	XJ1-213K-01	1	K2
△	F901	FZB10BT-100	BLADE FUSE		1	
	LCD1	B3H-0033-00	LCD		1	E3,E2,H1,M2,K4,K3
	LCD1	B3H-0034-00	LCD		1	E1,M1,K0,K1
	LCD1	B3H-0082-00	LCD		1	K2
	PA1	A6D-0103-14	PANEL ASSY		1	E3
	PA1	A6D-0103-1B	PANEL ASSY		1	E1,M1
	PA1	A6D-0103-17	PANEL ASSY		1	K0
	PA1	A6D-0103-1H	PANEL ASSY		1	K1
	PA1	A6D-0103-1C	PANEL ASSY		1	E2
	PA1	A6D-0103-1E	PANEL ASSY		1	H1,M2
	PA1	A6D-0103-18	PANEL ASSY		1	K4
	PA1	A6D-0103-19	PANEL ASSY		1	K3
	PA1	A6D-0103-1A	PANEL ASSY		1	K2
	RC1	A7A-0019-00	REMOTE CTL(IR)		1	H1,M2,K4
	B	LV41200-004A	SPECIAL SCREW		3	
	C	QYSDST2606ZA	TAP SCREW	M2.6 x 6mm	2	
	E	QYSDSF2008ZA	TAP SCREW	M2 x 8mm	3	
	F	GE40377-005A	SPECIAL SCREW		2	
	G	QYSPSG3008ZA	TAP SCREW	M3 x 8mm	1	
	H	QYSDSF2608ZA	TAP SCREW	M2.6 x 8mm	1	
	J	QYSDST2608ZA	TAP SCREW	M2.6 x 8mm	3	
	K	QYSDST2606ZA	TAP SCREW	M2.6 x 6mm	1	K3,K2
	L	QYSDST2606ZA	TAP SCREW	M2.6 x 6mm	1	K3,K2
	M	QYSDST2606ZA	TAP SCREW	M2.6 x 6mm	1	K2
	213	A2C-0063-02	SUB PANEL		1	
	215	D1A-0023-00	LEVER		1	
	216	G0A-0027-00	EXTEN.SPRING		1	
	217	D1A-0022-00	LEVER		1	
	219	F0C-0073-00	COOL SHEET		1	
	220	LV46006-001A	COOLING RUBBER		1	E3,E1,M1,E2,M2
	221	E3A-0423-00	CORD W.CON.	MIC	1	K3,K2
	222	E3A-0442-00	CORD W.CON.	MRC	1	K2
	259	E2K-0055-00	CONDUCT RUBBER		1	
	260	K2K-0265-00	KNOB		1	
	261	GE30999-013A	COMP.SPRING		1	
	262	A4G-0072-00	REAR COVER		1	
	263	K2K-0165-00	KNOB BASE		1	E3,E2,H1,M2,K4,K3,K2
	263	K2K-0101-00	KNOB		1	E1,M1,K0,K1
	264	GE40127-005A	KNOB SPRING		1	
	268	E2K-0029-00	CONDUCT RUBBER		1	E3,E2,H1,M2,K4,K3,K2
	268	QNZ1117-001	RUBBER CONNE		1	E1,M1,K0,K1
	351	GE40531-001A	SCREW SET		1	M1,H1,M2,K4
	353	QYSPSF2008ZA	TAP SCREW	M2 x 8mm	1	M1,K0,K1,H1,M2,K4,K3
	355	GE40646-001A	HOOK		2	,K2
	356	GE20342-001A	MOUNTING SLEEVE		1	
	357	B0H-0013-00	ESCUTCHEON		1	E3,E1,M1,E2,H1,M2
	357	B0H-0014-00	ESCUTCHEON		1	K0,K1,K4,K3
	357	B0H-0013-01	ESCUTCHEON		1	K2
	358	QAN0126-001	MICROPHONE		1	E1,M1,K0,K1,E2,H1,M2
						,K4,K3,K2
	359	GE40521-001A	CARRYING CASE		1	M1,H1,M2
	501	B5A-2106-00	INST.MANUAL	ENG RUS	1	E3,E1,E2
	501	B5A-2107-00	INST.MANUAL	ENG	1	M1,H1,M2
	501	B5A-2105-00	INST.MANUAL	ENG FRE SPA	1	K0,K1,K4,K3,K2
	502	B5A-2106-03	INST.MANUAL	UKR	1	E3
	502	B5A-2106-01	INST.MANUAL	FRE SPA GER	1	E1,E2
	503	B5A-2106-02	INST.MANUAL	ITA POR DUT	1	E1,E2
	702	-----	SWITCH PWB ASSY	NO SERVICE PART	1	E3
	702	-----	SWITCH PWB ASSY	NO SERVICE PART	1	E1,M1
	702	-----	SWITCH PWB ASSY	NO SERVICE PART	1	K0,K1
	702	-----	SWITCH PWB ASSY	NO SERVICE PART	1	E2
	702	-----	SWITCH PWB ASSY	NO SERVICE PART	1	H1,M2,K4,K3
	702	-----	SWITCH PWB ASSY	NO SERVICE PART	1	K2
	711	-----	TOP COVER	NO SERVICE PART	1	
	712	-----	BOTTOM PLATE	NO SERVICE PART	1	
	718	-----	HEAT SINK	NO SERVICE PART	1	
	751	-----	FRONT GLASS	NO SERVICE PART	1	E3
	751	-----	FRONT GLASS	NO SERVICE PART	1	E1,M1
	751	-----	FRONT GLASS	NO SERVICE PART	1	K0
	751	-----	FRONT GLASS	NO SERVICE PART	1	K1
	751	-----	FRONT GLASS	NO SERVICE PART	1	E2
	751	-----	FRONT GLASS	NO SERVICE PART	1	H1,M2
	751	-----	FRONT GLASS	NO SERVICE PART	1	K4
	751	-----	FRONT GLASS	NO SERVICE PART	1	K3
	751	-----	FRONT GLASS	NO SERVICE PART	1	K2
	752	-----	COVER	NO SERVICE PART	1	
	754	-----	PUSH KNOB	NO SERVICE PART	1	

MODEL	MARK	MODEL	MARK	MODEL	MARK	MODEL	MARK
KMM-304Y	E3	KMM-BT204	E1	KMM-BT204	M1	KMM-BT222U	K0
KMM-BT240U	K1	KMM-BT304	E2	KMM-BT304	H1	KMM-BT304	M2
KMM-BT322	K4	KMM-BT322U	K3	KMR-M322BT	K2		

Safe	Symbol No.	Parts No.	Parts Name	Description	QTY	Local
	755	-----	PANEL	NO SERVICE PART	1	E3,E2,H1,M2,K3
	755	-----	PANEL	NO SERVICE PART	1	E1,M1
	755	-----	PANEL	NO SERVICE PART	1	K0,K1
	755	-----	PANEL	NO SERVICE PART	1	K4
	755	-----	PANEL	NO SERVICE PART	1	K2
	756	-----	KNOB ASSY	NO SERVICE PART	1	E3
	756	-----	KNOB ASSY	NO SERVICE PART	1	E1,M1,H1,M2
	756	-----	KNOB ASSY	NO SERVICE PART	1	K0,K1,E2,K4,K3,K2
	757	-----	LIGHTING BOARD	NO SERVICE PART	1	
	758	-----	LIGHTING BOARD	NO SERVICE PART	1	
	765	-----	LCD CASE	NO SERVICE PART	1	E3,E2,H1,M2,K4,K3,K2
	765	-----	LCD CASE	NO SERVICE PART	1	E1,M1,K0,K1
	766	-----	OPTI.DIFFUSER	NO SERVICE PART	1	E3,E2,H1,M2,K4,K3
	766	-----	OPTI.DIFFUSER	NO SERVICE PART	1	E1,M1,K0,K1
	766	-----	OPTI.DIFFUSER	NO SERVICE PART	1	K2
	767	-----	LIGHTING BOARD	NO SERVICE PART	1	E3,E2,H1,M2,K4,K3,K2
	767	-----	LIGHTING BOARD	NO SERVICE PART	1	E1,M1,K0,K1
	769	-----	REF. SHEET	NO SERVICE PART	1	E3,E2,H1,M2,K4,K3,K2
	769	-----	REF. SHEET	NO SERVICE PART	1	E1,M1,K0,K1
	770	-----	TAP SCREW	NO SERVICE PART	1	
	771	-----	OPTI.DIFFUSER	NO SERVICE PART	1	K2

MODEL	MARK	MODEL	MARK	MODEL	MARK	MODEL	MARK
KMM-304Y	E3	KMM-BT204	E1	KMM-BT204	M1	KMM-BT222U	K0
KMM-BT240U	K1	KMM-BT304	E2	KMM-BT304	H1	KMM-BT304	M2
KMM-BT322	K4	KMM-BT322U	K3	KMR-M322BT	K2		

Safe	Symbol No.	Parts No.	Parts Name	Description	QTY	Local
------	------------	-----------	------------	-------------	-----	-------

MAIN PWB ASSY (XJ1-213x-0x) <XJ1>

		IC161	BD37069FV-M	ANALOG IC	1	
		IC164	NJM11100F1	ANALOG IC	1	E3,E2,H1,M2,K2
		IC220	NJM4565V-X	IC	1	E1,M1,K0,K1,E2,H1,M2,K4,K3,K2
△		IC301	JCV8034	ANALOG IC	1	
		IC411	MFI337S395901	MCU IC	1	
		IC470	TC7SH08FU-X	IC(DIGITAL)	1	K3,K2
		IC481	SN65HVD3082ED	MOS IC	1	K2
		IC482	TC7SH08FU-X	IC(DIGITAL)	1	K2
		IC540	MP9942AGJ	ANALOG IC	1	
		IC560	MP9942AGJ	ANALOG IC	1	
△		IC601	TEF6657HN-X	IC	1	
△		IC701	STA1080	MPU IC	1	BGA
		IC702	TC7SH08FU-X	IC(DIGITAL)	1	
△		IC821	W3F-0316-00	ROM IC	1	E1,M1,K0,K1
△		IC821	W3F-0317-00	ROM IC	1	E3,E2,H1,M2,K4,K3,K2
△		IC822	W25Q16DVSSIG	ROM IC	1	
		IC831	IC-PST8428U	MOS IC	1	
		IC880	BD001A5WEFJ	ANALOG IC	1	
		IC890	BD2242G-G	MOS IC	1	
△		IC901	LV5685PV-H	ANALOG IC	1	
△		IC1901	M12L1218A6B2S	DRAM IC	1	
		Q220	2SC1623/56/	TRANSISTOR	1	E1,M1,K0,K1,E2,H1,M2,K4,K3,K2
		Q240	IMX9	DUAL TRANSISTOR	1	
		Q270	KRA303E-P	DIGI TRANSISTOR	1	
		Q271	KTA2014P/Y/	TRANSISTOR	1	
		Q272	KRC403E-P	DIGI TRANSISTOR	1	
		Q273	KRA303E-P	DIGI TRANSISTOR	1	
		Q274	KRC403E-P	DIGI TRANSISTOR	1	
		Q300	IMX9	DUAL TRANSISTOR	1	E3,E2,H1,M2,K4,K3,K2
		Q310	IMX9	DUAL TRANSISTOR	1	E3,E2,H1,M2,K4,K3,K2
		Q470	KRC402E-P	DIGI TRANSISTOR	1	K3,K2
		Q471	KRC410E-P	DIGI TRANSISTOR	1	K3,K2
		Q480	KTC4075P/Y/	TRANSISTOR	1	K2
		Q481	KTC4075P/Y/	TRANSISTOR	1	K2
		Q482	KTC4075P/Y/	TRANSISTOR	1	K2
		Q483	KTA2014P/Y/	TRANSISTOR	1	K2
		Q484	RSR015P06	FET	1	K2
		Q485	KRC406P	DIGI TRANSISTOR	1	K2
		Q486	KRC406P	DIGI TRANSISTOR	1	K2
		Q890	LTC043EUBFS8	DIGI TRANSISTOR	1	
		Q920	LTA044EEBFS8	DIGI TRANSISTOR	1	
		D103	UDZV7.5B	ZENER DIODE	1	
		D105	UDZV7.5B	ZENER DIODE	1	
		D220	UDZV6.8B	ZENER DIODE	1	E1,M1,K0,K1,E2,H1,M2,K4,K3,K2
		D221	UDZV6.8B	ZENER DIODE	1	K3,K2
		D222	UDZV5.6B	ZENER DIODE	1	E1,M1,K0,K1,E2,H1,M2,K4,K3,K2
		D271	BAW56-TP	DIODE ARRAY	1	
		D273	1SS355VM	DIODE	1	
		D370	BAW56-TP	DIODE ARRAY	1	
		D390	SM5818PL	SCHOTTKY DIODE	1	
		D391	MBR0530	DIODE	1	
		D400	RB521SM-30	DIODE	1	
		D401	UDZV5.1B	ZENER DIODE	1	
		D471	RSB6.8SM	ZENER DIODE	1	K3,K2
		D472	RSB6.8SM	ZENER DIODE	1	K3,K2
		D473	RSB6.8SM	ZENER DIODE	1	K3,K2
		D474	RSB6.8SM	ZENER DIODE	1	K3,K2
		D475	UDZV6.8B	ZENER DIODE	1	K3,K2
		D476	UDZV6.8B	ZENER DIODE	1	K3,K2
		D480	UDZV6.2B	ZENER DIODE	1	K2
		D481	UDZV6.2B	ZENER DIODE	1	K2
		D482	UDZV5.1B	ZENER DIODE	1	K2
		D540	SMD24PL	SCHOTTKY DIODE	1	
		D560	SK34A-L	SCHOTTKY DIODE	1	
		D701	UDZV5.1B	ZENER DIODE	1	
		D702	UDZV5.1B	ZENER DIODE	1	
		D704	UDZV5.1B	ZENER DIODE	1	
		D706	UDZV5.1B	ZENER DIODE	1	
		D707	UDZV5.1B	ZENER DIODE	1	
		D709	UDZV5.1B	ZENER DIODE	1	
		D710	UDZV5.1B	ZENER DIODE	1	
		D711	UDZV5.1B	ZENER DIODE	1	
		D902	SK34A-L	SCHOTTKY DIODE	1	
		D903	SK34A-L	SCHOTTKY DIODE	1	
△		D991	GN3XB	DIODE	1	
		C101	CK73HXR1H222K	C CAPACITOR	1	2200pF 50V K
		C102	CK73HXR1H222K	C CAPACITOR	1	2200pF 50V K
		C103	CK73FXR1C475K	C CAPACITOR	1	4.7uF 16V K
		C104	CK73FXR1C106K	C CAPACITOR	1	10uF 16V K
		C105	CK73FXR1C475K	C CAPACITOR	1	4.7uF 16V K
		C106	CK73GXR1A105K	C CAPACITOR	1	1uF 10V K
		C161	CE32BJ1V4R7M	E CAPACITOR	1	4.7uF 35V M
		C162	CE32BJ1V4R7M	E CAPACITOR	1	4.7uF 35V M
		C163	CE32BJ1V4R7M	E CAPACITOR	1	4.7uF 35V M
		C164	CE32BJ1V4R7M	E CAPACITOR	1	4.7uF 35V M
		C165	CE32BJ1V4R7M	E CAPACITOR	1	4.7uF 35V M

MODEL	MARK	MODEL	MARK	MODEL	MARK	MODEL	MARK
KMM-304Y	E3	KMM-BT204	E1	KMM-BT204	M1	KMM-BT222U	K0
KMM-BT240U	K1	KMM-BT304	E2	KMM-BT304	H1	KMM-BT304	M2
KMM-BT322	K4	KMM-BT322U	K3	KMR-M322BT	K2		

Safe	Symbol No.	Parts No.	Parts Name	Description	QTY	Local
	C166	CE32BJ1V4R7M	E CAPACITOR	4.7uF 35V M	1	
	C167	CK73FXR1C475K	C CAPACITOR	4.7uF 16V K	1	
	C168	CK73FXR1C475K	C CAPACITOR	4.7uF 16V K	1	
	C169	CE32BY1C470M	E CAPACITOR	47uF 16V M	1	
	C170	CE32CL1C100M	E CAPACITOR	10uF 16V M	1	
	C171	CE32CL1E330M	E CAPACITOR	33uF 25V M	1	E3,E2,H1,M2,K2
	C189	CK73GXR1A105K	C CAPACITOR	1uF 10V K	1	E3,E2,H1,M2,K2
	C190	CK73HXR1H103K	C CAPACITOR	0.01uF 50V K	1	E3,E2,H1,M2,K2
	C191	CC73HCH1H101J	C CAPACITOR	100pF 50V J	1	E3,E2,H1,M2,K2
	C192	CK73GXR1A105K	C CAPACITOR	1uF 10V K	1	E3,E2,H1,M2,K2
	C222	CK73HBB1C333K	C CAPACITOR	0.033uF 16V K	1	E1,M1,K0,K1,E2,H1,M2,K4,K3,K2
	C223	CK73HBB1C333K	C CAPACITOR	0.033uF 16V K	1	E1,M1,K0,K1,E2,H1,M2,K4,K3,K2
	C224	CK73HXR1A105K	C CAPACITOR	1uF 10V K	1	E1,M1,K0,K1,E2,H1,M2,K4,K3,K2
	C225	CK73HXR1A105K	C CAPACITOR	1uF 10V K	1	E1,M1,K0,K1,E2,H1,M2,K4,K3,K2
	C226	CC73HCH1H220J	C CAPACITOR	22pF 50V J	1	E1,M1,K0,K1,E2,H1,M2,K4,K3,K2
	C227	CK73HXR1H471K	C CAPACITOR	470pF 50V K	1	E1,M1,K0,K1,E2,H1,M2,K4,K3,K2
	C228	CK73HXR1A105K	C CAPACITOR	1uF 10V K	1	E1,M1,K0,K1,E2,H1,M2,K4,K3,K2
	C229	CK73HXR1A105K	C CAPACITOR	1uF 10V K	1	E1,M1,K0,K1,E2,H1,M2,K4,K3,K2
	C230	CK73HXR1A105K	C CAPACITOR	1uF 10V K	1	E1,M1,K0,K1,E2,H1,M2,K4,K3,K2
	C231	CK73HXR1H471K	C CAPACITOR	470pF 50V K	1	E1,M1,K0,K1,E2,H1,M2,K4,K3,K2
	C234	CK73HXR1A105K	C CAPACITOR	1uF 10V K	1	E1,M1,K0,K1,E2,H1,M2,K4,K3,K2
	C235	CK73HXR1A105K	C CAPACITOR	1uF 10V K	1	E1,M1,K0,K1,E2,H1,M2,K4,K3,K2
	C236	CK73HXR1A104K	C CAPACITOR	0.1uF 10V K	1	E1,M1,K0,K1,E2,H1,M2,K4,K3,K2
	C237	CK73HXR1H103K	C CAPACITOR	0.01uF 50V K	1	E1,M1,K0,K1,E2,H1,M2,K4,K3,K2
	C252	CK73EBB1C475K	C CAPACITOR	4.7uF 16V K	1	
	C262	CK73EBB1C475K	C CAPACITOR	4.7uF 16V K	1	E1,M1,K0,K1
	C273	CK73GXR1A105K	C CAPACITOR	1uF 10V K	1	
	C304	CE32CL1E330M	E CAPACITOR	33uF 25V M	1	
	C311	CK73FXR1A475K	C CAPACITOR	4.7uF 10V K	1	
	C312	CK730AV1C105K	C CAPACITOR	1uF 16V K	1	
	C316	CK730AV1C224K	C CAPACITOR	0.22uF 16V K	1	
	C317	CK730AV1C224K	C CAPACITOR	0.22uF 16V K	1	
	C318	CK730AV1C224K	C CAPACITOR	0.22uF 16V K	1	
	C319	CK730AV1C224K	C CAPACITOR	0.22uF 16V K	1	
	C322	CK73EBB1C475K	C CAPACITOR	4.7uF 16V K	1	E3,E2,H1,M2,K4,K3,K2
	C332	CK73EBB1C475K	C CAPACITOR	4.7uF 16V K	1	E3,E2,H1,M2,K4,K3,K2
	C342	CK73EBB1C475K	C CAPACITOR	4.7uF 16V K	1	E3,E2,H1,M2,K4,K3,K2
	C352	CK73EBB1C475K	C CAPACITOR	4.7uF 16V K	1	E3,E2,H1,M2,K4,K3,K2
	C370	CK73GXR1H104K	C CAPACITOR	0.1uF 50V K	1	
	C390	CK73FBB1H224K	C CAPACITOR	0.22uF 50V K	1	
	C391	CK73FBB1H224K	C CAPACITOR	0.22uF 50V K	1	
	C410	CK73HXR1A104K	C CAPACITOR	0.1uF 10V K	1	
	C472	CK73GXR1H104K	C CAPACITOR	0.1uF 50V K	1	
	C473	CK73FXR1C106K	C CAPACITOR	10uF 16V K	1	K3,K2
	C474	CK73GXR1C225K	C CAPACITOR	2.2uF 16V K	1	K3,K2
	C475	CK73GXR1A225K	C CAPACITOR	2.2uF 10V K	1	K3,K2
	C480	CK73GBB1H103K	C CAPACITOR	0.01uF 50V K	1	K2
	C481	CK73GXR1H104K	C CAPACITOR	0.1uF 50V K	1	K2
	C482	CK73HXR1A105K	C CAPACITOR	1uF 10V K	1	K2
	C483	CK73HXR1A104K	C CAPACITOR	0.1uF 10V K	1	K2
	C484	CK73HXR1H102K	C CAPACITOR	1000pF 50V K	1	K2
	C485	CK73HBB1H103K	C CAPACITOR	0.01uF 50V K	1	K2
	C486	CK73HBB1E682K	C CAPACITOR	6800pF 25V K	1	K2
	C540	CE32CC1A151M	E CAPACITOR	150uF 10V M	1	
	C541	CK73FXR1C106K	C CAPACITOR	10uF 16V K	1	
	C543	CK73HBB1E223K	C CAPACITOR	0.022uF 25V K	1	
	C545	CK73FXR1C106K	C CAPACITOR	10uF 16V K	1	
	C547	CK73HXR1A104K	C CAPACITOR	0.1uF 10V K	1	
	C548	CK73HBB0J224K	C CAPACITOR	0.22uF 6.3V K	1	
	C549	CK73HBB0J224K	C CAPACITOR	0.22uF 6.3V K	1	
	C550	CC73HCH1H150J	C CAPACITOR	15pF 50V J	1	
	C563	CK73HBB1E223K	C CAPACITOR	0.022uF 25V K	1	
	C565	CK73FXR1C106K	C CAPACITOR	10uF 16V K	1	
	C567	CK73HXR1A104K	C CAPACITOR	0.1uF 10V K	1	
	C568	CK73HXR1A224K	C CAPACITOR	0.22uF 10V K	1	
	C569	CK73HXR1A224K	C CAPACITOR	0.22uF 10V K	1	
	C570	CC73HCH1H150J	C CAPACITOR	15pF 50V J	1	
	C571	CD04ET1C222M1	E CAPACITOR	2200uF 16V M	1	
	C601	CK73FXR0J106K	C CAPACITOR	10uF 6.3V K	1	
	C602	CK73FXR0J106K	C CAPACITOR	10uF 6.3V K	1	
	C603	CK73HXR1A104K	C CAPACITOR	0.1uF 10V K	1	
	C604	CK73GBB1H152K	C CAPACITOR	1500pF 50V K	1	
	C605	CK73GBB1H102K	C CAPACITOR	1000pF 50V K	1	
	C606	CC73HCH1H090D	C CAPACITOR	9pF 50V D	1	
△	C607	CC73GCH1H010C	C CAPACITOR	1pF 50V C	1	
	C608	CK73GBB1H102K	C CAPACITOR	1000pF 50V K	1	
	C609	CK73HXR1A104K	C CAPACITOR	0.1uF 10V K	1	
	C610	CC73GCH1H120J	C CAPACITOR	12pF 50V J	1	

MODEL	MARK	MODEL	MARK	MODEL	MARK	MODEL	MARK
KMM-304Y	E3	KMM-BT204	E1	KMM-BT204	M1	KMM-BT222U	K0
KMM-BT240U	K1	KMM-BT304	E2	KMM-BT304	H1	KMM-BT304	M2
KMM-BT322	K4	KMM-BT322U	K3	KMR-M322BT	K2		

Safe	Symbol No.	Parts No.	Parts Name	Description	QTY	Local
	C611	CC73HCH1H010C	C CAPACITOR	1pF 50V C	1	
	C612	CK73GGB1H103K	C CAPACITOR	0.01uF 50V K	1	
	C614	CC73HCH1H220J	C CAPACITOR	22pF 50V J	1	
	C615	CC73GCH1H330J	C CAPACITOR	33pF 50V J	1	
	C616	CK73HXR1H102K	C CAPACITOR	1000pF 50V K	1	
	C617	CK73HBB0J224K	C CAPACITOR	0.22uF 6.3V K	1	
	C618	CK73GXR1A105K	C CAPACITOR	1uF 10V K	1	
	C619	CK73GXR1H104K	C CAPACITOR	0.1uF 50V K	1	
	C620	CK73HXR1A105K	C CAPACITOR	1uF 10V K	1	
	C622	CK73HXR1A105K	C CAPACITOR	1uF 10V K	1	
	C623	CK73HXR1A105K	C CAPACITOR	1uF 10V K	1	
	C680	CK73GXR1C105K	C CAPACITOR	1uF 16V K	1	
	C702	CK73FXR1C106K	C CAPACITOR	10uF 16V K	1	
	C703	CK73HBB1H103K	C CAPACITOR	0.01uF 50V K	1	
	C704	CC73HCH1H180J	C CAPACITOR	18pF 50V J	1	
	C705	CC73HCH1H180J	C CAPACITOR	18pF 50V J	1	
	C706	CK73FXR1C106K	C CAPACITOR	10uF 16V K	1	
	C707	CK73HBB1H103K	C CAPACITOR	0.01uF 50V K	1	
	C708	CK73HXR1C473K	C CAPACITOR	0.047uF 16V K	1	
	C709	CK73HXR1A105K	C CAPACITOR	1uF 10V K	1	
	C710	CK73HBB1H222K	C CAPACITOR	2200pF 50V K	1	
	C711	CK73HXR1H471K	C CAPACITOR	470pF 50V K	1	
	C713	CK73GXR1A105K	C CAPACITOR	1uF 10V K	1	
	C714	CK73HXR1H103K	C CAPACITOR	0.01uF 50V K	1	
	C716	CC73HCH1H101J	C CAPACITOR	100pF 50V J	1	
	C719	CK73HXR1A105K	C CAPACITOR	1uF 10V K	1	
	C720	CK73HXR1A104K	C CAPACITOR	0.1uF 10V K	1	
	C722	CK73FXR0J106K	C CAPACITOR	10uF 6.3V K	1	
	C724	CK73HXR1H103K	C CAPACITOR	0.01uF 50V K	1	
	C725	CK73FXR1C106K	C CAPACITOR	10uF 16V K	1	
	C726	CK73HXR1H103K	C CAPACITOR	0.01uF 50V K	1	
	C727	CK73FXR1C106K	C CAPACITOR	10uF 16V K	1	
	C728	CC73HCH1H101J	C CAPACITOR	100pF 50V J	1	
	C729	CK73FXR1A475K	C CAPACITOR	4.7uF 10V K	1	
	C730	CC73HCH1H101J	C CAPACITOR	100pF 50V J	1	
	C731	CK73FXR1A475K	C CAPACITOR	4.7uF 10V K	1	
	C733	CK73GXR0J475K	C CAPACITOR	4.7uF 6.3V K	1	
	C735	CK73HBB1H472K	C CAPACITOR	4700pF 50V K	1	
	C736	CC73HCH1H080D	C CAPACITOR	8pF 50V D	1	
	C737	CC73HCH1H080D	C CAPACITOR	8pF 50V D	1	
	C738	CK73HBB1H472K	C CAPACITOR	4700pF 50V K	1	
	C740	CC73HCH1H101J	C CAPACITOR	100pF 50V J	1	
	C741	CC73HCH1H100D	C CAPACITOR	10pF 50V D	1	
	C742	CC73HCH1H101J	C CAPACITOR	100pF 50V J	1	
	C750	CK73FXR1A475K	C CAPACITOR	4.7uF 10V K	1	
	C756	CK73HXR1A105K	C CAPACITOR	1uF 10V K	1	
	C820	CK73HBB1H472K	C CAPACITOR	4700pF 50V K	1	
	C821	CK73HXR1H471K	C CAPACITOR	470pF 50V K	1	
	C822	CC73HCH1H101J	C CAPACITOR	100pF 50V J	1	
	C824	CC73HCH1H101J	C CAPACITOR	100pF 50V J	1	
	C830	CK73HXR1H471K	C CAPACITOR	470pF 50V K	1	
	C831	CK73HXR1A105K	C CAPACITOR	1uF 10V K	1	
	C832	CK73HXR1A104K	C CAPACITOR	0.1uF 10V K	1	
	C880	CK73FXR1C475K	C CAPACITOR	4.7uF 16V K	1	
	C881	CK73HBB1H472K	C CAPACITOR	4700pF 50V K	1	
	C882	CK73HXR1H471K	C CAPACITOR	470pF 50V K	1	
	C890	CK73HXR1A105K	C CAPACITOR	1uF 10V K	1	
	C892	CK73HXR1A105K	C CAPACITOR	1uF 10V K	1	
	C893	CK73FXR0J106K	C CAPACITOR	10uF 6.3V K	1	
	C903	CE32BZ1C220M	E CAPACITOR	22uF 16V M	1	
	C904	CK73GXR1A105K	C CAPACITOR	1uF 10V K	1	
	C906	CK73HXR1A105K	C CAPACITOR	1uF 10V K	1	
	C907	CE32BZ0J101M	E CAPACITOR	100uF 6.3V M	1	
	C908	CK73GXR1A105K	C CAPACITOR	1uF 10V K	1	
	C909	CK73GXR1H104K	C CAPACITOR	0.1uF 50V K	1	
	C910	CK73HXR1A105K	C CAPACITOR	1uF 10V K	1	
	C911	CK73GXR1H104K	C CAPACITOR	0.1uF 50V K	1	
	C912	CK73HXR1A105K	C CAPACITOR	1uF 10V K	1	
	C914	CK73GXR1A105K	C CAPACITOR	1uF 10V K	1	
	C916	CK73HXR1H103K	C CAPACITOR	0.01uF 50V K	1	
	C918	CE32BZ1C221M	E CAPACITOR	220uF 16V M	1	
	C933	CK73FXR0J106K	C CAPACITOR	10uF 6.3V K	1	
	C934	CK73HBB1H472K	C CAPACITOR	4700pF 50V K	1	
	C935	CK73HXR1H471K	C CAPACITOR	470pF 50V K	1	
	C990	CD04EU1C222M1	E CAPACITOR	2200uF 16V M	1	
	C1001	CK73HBB1H221K	C CAPACITOR	220pF 50V K	1	
	C1010	CK73GGB1H471K	C CAPACITOR	470pF 50V K	1	M1,H1,M2,K4,K2
	C1011	CK73GGB1H471K	C CAPACITOR	470pF 50V K	1	M1,H1,M2,K4,K2
	C1012	CK73GGB1H471K	C CAPACITOR	470pF 50V K	1	M1,H1,M2,K4,K2
	C1013	CK73GGB1H471K	C CAPACITOR	470pF 50V K	1	M1,H1,M2,K4,K2
	C1014	CK73GGB1H471K	C CAPACITOR	470pF 50V K	1	M1,H1,M2,K4,K2
	C1015	CK73GGB1H471K	C CAPACITOR	470pF 50V K	1	M1,H1,M2,K4,K2
	C1016	CK73GGB1H471K	C CAPACITOR	470pF 50V K	1	M1,H1,M2,K4,K2
	C1017	CK73GGB1H471K	C CAPACITOR	470pF 50V K	1	M1,H1,M2,K4,K2
	C1020	CK73GGB1C104K	C CAPACITOR	0.1uF 16V K	1	
	C1021	CK73GXR1A105K	C CAPACITOR	1uF 10V K	1	
	C1301	CK73HXR1H103K	C CAPACITOR	0.01uF 50V K	1	E1,M1,K0,K1,E2,H1,M2,K4,K3,K2
	C1302	CK73HXR1A105K	C CAPACITOR	1uF 10V K	1	E3
	C1302	CK73HXR1A104K	C CAPACITOR	0.1uF 10V K	1	E1,M1,K0,K1,E2,H1,M2,K4,K3,K2
	C1303	CK73HXR1A105K	C CAPACITOR	1uF 10V K	1	E3

MODEL	MARK	MODEL	MARK	MODEL	MARK	MODEL	MARK
KMM-304Y	E3	KMM-BT204	E1	KMM-BT204	M1	KMM-BT222U	K0
KMM-BT240U	K1	KMM-BT304	E2	KMM-BT304	H1	KMM-BT304	M2
KMM-BT322	K4	KMM-BT322U	K3	KMR-M322BT	K2		

Safe	Symbol No.	Parts No.	Parts Name	Description	QTY	Local
	C1303	CK73HXR1A104K	C CAPACITOR	0.1uF 10V K	1	E1,M1,K0,K1,E2,H1,M2,K4,K3,K2
	C1902	CK73HXR1A104K	C CAPACITOR	0.1uF 10V K	1	
	C1903	CK73HXR1H471K	C CAPACITOR	470pF 50V K	1	
	C1904	CK73HXR1A104K	C CAPACITOR	0.1uF 10V K	1	
	C1905	CK73HXR1A104K	C CAPACITOR	0.1uF 10V K	1	
	C1906	CK73HXR1A105K	C CAPACITOR	1uF 10V K	1	
	C1907	CK73HXR1A104K	C CAPACITOR	0.1uF 10V K	1	
	C1908	CK73HXR1A104K	C CAPACITOR	0.1uF 10V K	1	
	C1909	CK73HXR1A104K	C CAPACITOR	0.1uF 10V K	1	
	C1910	CK73HXR1A104K	C CAPACITOR	0.1uF 10V K	1	
	C2040	CC73HCH1H100D	C CAPACITOR	10pF 50V D	1	
	C2041	CC73HCH1H101J	C CAPACITOR	100pF 50V J	1	
	C2042	CC73HCH1H101J	C CAPACITOR	100pF 50V J	1	
	C2044	CC73HCH1H101J	C CAPACITOR	100pF 50V J	1	
	C2060	CK73HBB1H472K	C CAPACITOR	4700pF 50V K	1	
	C2085	CK73HXR1H103K	C CAPACITOR	0.01uF 50V K	1	K2
	C9000	CK73GBB1C224K	C CAPACITOR	0.22uF 16V K	1	
	C9002	CK73GXR1C224K	C CAPACITOR	0.22uF 16V K	1	
	C9003	CK73GBB1H103K	C CAPACITOR	0.01uF 50V K	1	
	C9004	CK73GBB1H103K	C CAPACITOR	0.01uF 50V K	1	
	C9006	CK73GXR0J475K	C CAPACITOR	4.7uF 6.3V K	1	
	C9007	CK73HXR1A104K	C CAPACITOR	0.1uF 10V K	1	
	C9008	CK73HXR1A105K	C CAPACITOR	1uF 10V K	1	
	C9013	CK73HXR1A105K	C CAPACITOR	1uF 10V K	1	
	C9014	RK73HB1J000J	MG RESISTOR	0Ω 1/16W J	1	
	C9015	CK73HXR1H103K	C CAPACITOR	0.01uF 50V K	1	
	C9018	CK73HXR1H103K	C CAPACITOR	0.01uF 50V K	1	
	C9019	CK73HXR1H103K	C CAPACITOR	0.01uF 50V K	1	
	C9022	CK73HXR1H103K	C CAPACITOR	0.01uF 50V K	1	
	C9024	CK73GBB1H471K	C CAPACITOR	470pF 50V K	1	
	C9025	CK73HXR1H103K	C CAPACITOR	0.01uF 50V K	1	
	C9033	CK73GXR0J475K	C CAPACITOR	4.7uF 6.3V K	1	
	C9034	CK73HXR1H103K	C CAPACITOR	0.01uF 50V K	1	
	C9035	CK73GBB1H472K	C CAPACITOR	4700pF 50V K	1	
	C9037	CK73HXR1H471K	C CAPACITOR	470pF 50V K	1	
	C9038	CK73HBB1H472K	C CAPACITOR	4700pF 50V K	1	
	C9039	CK73HBB1H472K	C CAPACITOR	4700pF 50V K	1	
	C9040	CK73HBB1H472K	C CAPACITOR	4700pF 50V K	1	
	C9041	CK73HXR1H103K	C CAPACITOR	0.01uF 50V K	1	
	C9045	CK73HXR1H103K	C CAPACITOR	0.01uF 50V K	1	
	C9046	CK73GXR1H104K	C CAPACITOR	0.1uF 50V K	1	
	C9047	CK73HXR1A105K	C CAPACITOR	1uF 10V K	1	
	C9060	CK73HXR1A105K	C CAPACITOR	1uF 10V K	1	
	C9061	CK73GBB1H103K	C CAPACITOR	0.01uF 50V K	1	
	C9062	CC73HCH1H120J	C CAPACITOR	12pF 50V J	1	K0,K1,K4,K3,K2
	C9064	CC73HCH1H120J	C CAPACITOR	12pF 50V J	1	E1,M1,K0,K1,E2,H1,M2,K4,K3,K2
	C9065	CK73HXR1A105K	C CAPACITOR	1uF 10V K	1	
	C9066	CK73HBB1H472K	C CAPACITOR	4700pF 50V K	1	
	C9068	CK73GXR1C224K	C CAPACITOR	0.22uF 16V K	1	
	C9069	CK73HXR1A105K	C CAPACITOR	1uF 10V K	1	
	C9070	CK73HXR1A105K	C CAPACITOR	1uF 10V K	1	
	C9071	CC73HCH1H050C	C CAPACITOR	5pF 50V C	1	
	C9072	CC73HCH1H050C	C CAPACITOR	5pF 50V C	1	
	C9073	CC73HCH1H050C	C CAPACITOR	5pF 50V C	1	
	C9074	CK73FXR0J106K	C CAPACITOR	10uF 6.3V K	1	
	C9075	CC73HCH1H120J	C CAPACITOR	12pF 50V J	1	E1,M1,K0,K1,E2,H1,M2,K4,K3,K2
	C9076	CC73HCH1H120J	C CAPACITOR	12pF 50V J	1	E1,M1,K0,K1,E2,H1,M2,K4,K3,K2
	C9077	CK73GXR1A105K	C CAPACITOR	1uF 10V K	1	
	C9078	CK73GXR0J475K	C CAPACITOR	4.7uF 6.3V K	1	
	C9079	CC73HCH1H120J	C CAPACITOR	12pF 50V J	1	K2
	C9080	CC73HCH1H120J	C CAPACITOR	12pF 50V J	1	K2
	C9082	CK73HXR1H471K	C CAPACITOR	470pF 50V K	1	
	C9083	CK73GXR1H103K	C CAPACITOR	0.01uF 50V K	1	
	C9084	CC73HCH1H050C	C CAPACITOR	5pF 50V C	1	
	C9085	CC73HCH1H050C	C CAPACITOR	5pF 50V C	1	
	C9086	CK73HXR1H471K	C CAPACITOR	470pF 50V K	1	
	C9087	CK73HXR1C473K	C CAPACITOR	0.047uF 16V K	1	
	C9090	CK73HXR1H471K	C CAPACITOR	470pF 50V K	1	
	C9094	CK73GXR1C474K	C CAPACITOR	0.47uF 16V K	1	
	C9095	CK73HXR1H103K	C CAPACITOR	0.01uF 50V K	1	K2
	R100	RK73GB2A471J	MG RESISTOR	470Ω 1/10W J	1	
	R103	RK73HB1J473J	MG RESISTOR	47kΩ 1/16W J	1	
	R104	RK73HB1J473J	MG RESISTOR	47kΩ 1/16W J	1	
	R112	RK73HB1J000J	MG RESISTOR	0Ω 1/16W J	1	
	R113	RK73HB1J000J	MG RESISTOR	0Ω 1/16W J	1	
	R114	RK73HB1J000J	MG RESISTOR	0Ω 1/16W J	1	
	R145	RK73HB1J680J	MG RESISTOR	68Ω 1/16W J	1	
	R146	RK73HB1J680J	MG RESISTOR	68Ω 1/16W J	1	
	R147	RK73HB1J680J	MG RESISTOR	68Ω 1/16W J	1	
	R148	RK73HB1J680J	MG RESISTOR	68Ω 1/16W J	1	
	R149	RK73HB1J680J	MG RESISTOR	68Ω 1/16W J	1	
	R150	RK73HB1J680J	MG RESISTOR	68Ω 1/16W J	1	
	R160	RK73HB1J000J	MG RESISTOR	0Ω 1/16W J	1	E3,E2,H1,M2,K2
	R161	RK73HB1J000J	MG RESISTOR	0Ω 1/16W J	1	E3,E2,H1,M2,K2
	R162	RK73HB1J101J	MG RESISTOR	100Ω 1/16W J	1	
	R173	RK73HB1J101J	MG RESISTOR	100Ω 1/16W J	1	
	R175	RK73GB2A000J	MG RESISTOR	0Ω 1/10W J	1	E1,M1,K0,K1,K4,K3

MODEL	MARK	MODEL	MARK	MODEL	MARK	MODEL	MARK
KMM-304Y	E3	KMM-BT204	E1	KMM-BT204	M1	KMM-BT222U	K0
KMM-BT240U	K1	KMM-BT304	E2	KMM-BT304	H1	KMM-BT304	M2
KMM-BT322	K4	KMM-BT322U	K3	KMR-M322BT	K2		

Safe	Symbol No.	Parts No.	Parts Name	Description	QTY	Local
	R182	RK73HH1J752D	MG RESISTOR	7.5kΩ 1/16W D	1	E3,E2,H1,M2,K2
	R183	RK73HH1J132D	MG RESISTOR	1.3kΩ 1/16W D	1	E3,E2,H1,M2,K2
	R188	RK73GB2A000J	MG RESISTOR	0Ω 1/10W J	1	
	R220	RK73HB1J101J	MG RESISTOR	100Ω 1/16W J	1	E1,M1,K0,K1,E2,H1,M2,K4,K3,K2
	R221	RK73HB1J101J	MG RESISTOR	100Ω 1/16W J	1	E1,M1,K0,K1,E2,H1,M2,K4,K3,K2
	R222	RK73HB1J000J	MG RESISTOR	0Ω 1/16W J	1	E1,M1,K0,K1,E2,H1,M2,K4,K3,K2
	R223	RK73HB1J822J	MG RESISTOR	8.2kΩ 1/16W J	1	E1,M1,K0,K1,E2,H1,M2,K4,K3,K2
	R224	RK73HB1J103J	MG RESISTOR	10kΩ 1/16W J	1	E1,M1,K0,K1,E2,H1,M2,K4,K3,K2
	R225	RK73HB1J333J	MG RESISTOR	33kΩ 1/16W J	1	E1,M1,K0,K1,E2,H1,M2,K4,K3,K2
	R226	RK73HB1J122J	MG RESISTOR	1.2kΩ 1/16W J	1	E1,M1,K0,K1,E2,H1,M2,K4,K3,K2
	R227	RK73HB1J124J	MG RESISTOR	120kΩ 1/16W J	1	E1,M1,K0,K1,E2,H1,M2,K4,K3,K2
	R229	RK73HB1J122J	MG RESISTOR	1.2kΩ 1/16W J	1	E1,M1,K0,K1,E2,H1,M2,K4,K3,K2
	R230	RK73HB1J124J	MG RESISTOR	120kΩ 1/16W J	1	E1,M1,K0,K1,E2,H1,M2,K4,K3,K2
	R232	RK73HB1J103J	MG RESISTOR	10kΩ 1/16W J	1	E1,M1,K0,K1,E2,H1,M2,K4,K3,K2
	R233	RK73HB1J681J	MG RESISTOR	680Ω 1/16W J	1	E1,M1,K0,K1,E2,H1,M2,K4,K3,K2
	R234	RK73HB1J222J	MG RESISTOR	2.2kΩ 1/16W J	1	E1,M1,K0,K1,E2,H1,M2,K4,K3,K2
	R237	RK73HB1J471J	MG RESISTOR	470Ω 1/16W J	1	E1,M1,K0,K1,E2,H1,M2,K4,K3,K2
	R238	RK73HB1J103J	MG RESISTOR	10kΩ 1/16W J	1	E1,M1,K0,K1,E2,H1,M2,K4,K3,K2
	R250	RK73HB1J181J	MG RESISTOR	180Ω 1/16W J	1	
	R251	RK73HB1J223J	MG RESISTOR	22kΩ 1/16W J	1	
	R252	RK73HB1J331J	MG RESISTOR	330Ω 1/16W J	1	
	R253	RK73GB2A000J	MG RESISTOR	0Ω 1/10W J	1	E3,E2,H1,M2,K4,K3,K2
	R254	RK73HB1J472J	MG RESISTOR	4.7kΩ 1/16W J	1	
	R260	RK73HB1J181J	MG RESISTOR	180Ω 1/16W J	1	E1,M1,K0,K1
	R261	RK73HB1J223J	MG RESISTOR	22kΩ 1/16W J	1	E1,M1,K0,K1
	R262	RK73HB1J331J	MG RESISTOR	330Ω 1/16W J	1	E1,M1,K0,K1
	R264	RK73HB1J472J	MG RESISTOR	4.7kΩ 1/16W J	1	E1,M1,K0,K1
	R270	RK73GB2A104J	MG RESISTOR	100kΩ 1/10W J	1	
	R271	RK73GB2A331J	MG RESISTOR	330Ω 1/10W J	1	
	R272	RK73EB2E303J	MG RESISTOR	30kΩ 1/4W J	1	
	R273	RK73GB2A223J	MG RESISTOR	22kΩ 1/10W J	1	
	R302	RK73EB2E432J	MG RESISTOR	4.3kΩ 1/4W J	1	
	R303	RK73EB2E160J	MG RESISTOR	16Ω 1/4W J	1	
	R304	RK73HB1J473J	MG RESISTOR	47kΩ 1/16W J	1	
	R305	RK73EB2E1R0J	MG RESISTOR	1Ω 1/4W J	1	
	R316	RK73HB1J680J	MG RESISTOR	68Ω 1/16W J	1	
	R317	RK73HB1J680J	MG RESISTOR	68Ω 1/16W J	1	
	R318	RK73HB1J680J	MG RESISTOR	68Ω 1/16W J	1	
	R319	RK73HB1J680J	MG RESISTOR	68Ω 1/16W J	1	
	R320	RK73HB1J181J	MG RESISTOR	180Ω 1/16W J	1	E3,E2,H1,M2,K4,K3,K2
	R321	RK73HB1J223J	MG RESISTOR	22kΩ 1/16W J	1	E3,E2,H1,M2,K4,K3,K2
	R322	RK73HB1J472J	MG RESISTOR	4.7kΩ 1/16W J	1	E3,E2,H1,M2,K4,K3,K2
	R323	RK73HB1J331J	MG RESISTOR	330Ω 1/16W J	1	E3,E2,H1,M2,K4,K3,K2
	R330	RK73HB1J181J	MG RESISTOR	180Ω 1/16W J	1	E3,E2,H1,M2,K4,K3,K2
	R331	RK73HB1J223J	MG RESISTOR	22kΩ 1/16W J	1	E3,E2,H1,M2,K4,K3,K2
	R332	RK73HB1J472J	MG RESISTOR	4.7kΩ 1/16W J	1	E3,E2,H1,M2,K4,K3,K2
	R333	RK73HB1J331J	MG RESISTOR	330Ω 1/16W J	1	E3,E2,H1,M2,K4,K3,K2
	R340	RK73HB1J181J	MG RESISTOR	180Ω 1/16W J	1	E3,E2,H1,M2,K4,K3,K2
	R341	RK73HB1J223J	MG RESISTOR	22kΩ 1/16W J	1	E3,E2,H1,M2,K4,K3,K2
	R342	RK73HB1J472J	MG RESISTOR	4.7kΩ 1/16W J	1	E3,E2,H1,M2,K4,K3,K2
	R343	RK73HB1J331J	MG RESISTOR	330Ω 1/16W J	1	E3,E2,H1,M2,K4,K3,K2
	R350	RK73HB1J181J	MG RESISTOR	180Ω 1/16W J	1	E3,E2,H1,M2,K4,K3,K2
	R351	RK73HB1J223J	MG RESISTOR	22kΩ 1/16W J	1	E3,E2,H1,M2,K4,K3,K2
	R352	RK73HB1J472J	MG RESISTOR	4.7kΩ 1/16W J	1	E3,E2,H1,M2,K4,K3,K2
	R353	RK73HB1J331J	MG RESISTOR	330Ω 1/16W J	1	E3,E2,H1,M2,K4,K3,K2
	R370	RK73GB2A683J	MG RESISTOR	68kΩ 1/10W J	1	
	R371	RK73GB2A123J	MG RESISTOR	12kΩ 1/10W J	1	
	R372	RK73GB2A103J	MG RESISTOR	10kΩ 1/10W J	1	
	R390	RK73EB2E472J	MG RESISTOR	4.7kΩ 1/4W J	1	
	R400	RK73HB1J102J	MG RESISTOR	1kΩ 1/16W J	1	
	R410	RK73HB1J101J	MG RESISTOR	100Ω 1/16W J	1	
	R411	RK73HB1J101J	MG RESISTOR	100Ω 1/16W J	1	
	R412	RK73HB1J472J	MG RESISTOR	4.7kΩ 1/16W J	1	
	R413	RK73HB1J472J	MG RESISTOR	4.7kΩ 1/16W J	1	
	R414	RK73HB1J472J	MG RESISTOR	4.7kΩ 1/16W J	1	
	R471	RK73HB1J101J	MG RESISTOR	100Ω 1/16W J	1	K3,K2
	R472	RK73HB1J101J	MG RESISTOR	100Ω 1/16W J	1	K3,K2
	R473	RK73HB1J472J	MG RESISTOR	4.7kΩ 1/16W J	1	K3,K2
	R474	RK73FB2B221J	MG RESISTOR	220Ω 1/8W J	1	K3,K2
	R475	RK73HB1J100J	MG RESISTOR	10Ω 1/16W J	1	K3,K2
	R476	RK73HB1J223J	MG RESISTOR	22kΩ 1/16W J	1	K3,K2
	R477	RK73HB1J104J	MG RESISTOR	100kΩ 1/16W J	1	K3,K2
	R480	RK73GB2A334J	MG RESISTOR	330kΩ 1/10W J	1	K2
	R481	RK73EB2E3R3J	MG RESISTOR	3.3Ω 1/4W J	1	K2
	R482	RK73EB2E3R3J	MG RESISTOR	3.3Ω 1/4W J	1	K2
	R483	RK73HB1J104J	MG RESISTOR	100kΩ 1/16W J	1	K2
	R484	RK73HB1J473J	MG RESISTOR	47kΩ 1/16W J	1	K2
	R485	RK73GB2A153J	MG RESISTOR	15kΩ 1/10W J	1	K2

MODEL	MARK	MODEL	MARK	MODEL	MARK	MODEL	MARK
KMM-304Y	E3	KMM-BT204	E1	KMM-BT204	M1	KMM-BT222U	K0
KMM-BT240U	K1	KMM-BT304	E2	KMM-BT304	H1	KMM-BT304	M2
KMM-BT322	K4	KMM-BT322U	K3	KMR-M322BT	K2		

Safe	Symbol No.	Parts No.	Parts Name	Description	QTY	Local
	R486	RK73GB2A473J	MG RESISTOR	47kΩ 1/10W J	1	K2
	R487	RK73HB1J223J	MG RESISTOR	22kΩ 1/16W J	1	K2
	R488	RK73GB2A104J	MG RESISTOR	100kΩ 1/10W J	1	K2
	R489	RK73GB2A333J	MG RESISTOR	33kΩ 1/10W J	1	K2
	R490	RK73HB1J183J	MG RESISTOR	18kΩ 1/16W J	1	K2
	R491	RK73EB2E101J	MG RESISTOR	100Ω 1/4W J	1	K2
	R492	RK73HB1J102J	MG RESISTOR	1kΩ 1/16W J	1	K2
	R493	RK73EB2E101J	MG RESISTOR	100Ω 1/4W J	1	K2
	R494	RK73HB1J332J	MG RESISTOR	3.3kΩ 1/16W J	1	K2
	R495	RK73EB2E100J	MG RESISTOR	10Ω 1/4W J	1	K2
	R496	RK73HB1J473J	MG RESISTOR	47kΩ 1/16W J	1	K2
	R498	RK73HB1J332J	MG RESISTOR	3.3kΩ 1/16W J	1	K2
	R541	RK73HB1J512J	MG RESISTOR	5.1kΩ 1/16W J	1	
	R542	RK73HB1J102J	MG RESISTOR	1kΩ 1/16W J	1	
	R543	RK73HB1J200J	MG RESISTOR	20Ω 1/16W J	1	
	R544	RK73HB1J393J	MG RESISTOR	39kΩ 1/16W J	1	
	R545	RK73HH1J183D	MG RESISTOR	18kΩ 1/16W D	1	
	R546	RK73HH1J393D	MG RESISTOR	39kΩ 1/16W D	1	
	R548	RK73HH1J683D	MG RESISTOR	68kΩ 1/16W D	1	
	R563	RK73HB1J200J	MG RESISTOR	20Ω 1/16W J	1	
	R564	RK73HB1J393J	MG RESISTOR	39kΩ 1/16W J	1	
	R565	RK73HH1J163D	MG RESISTOR	16kΩ 1/16W D	1	
	R567	RK73HH1J513D	MG RESISTOR	51kΩ 1/16W D	1	
	R601	RK73HB1J101J	MG RESISTOR	100Ω 1/16W J	1	
	R602	RK73GB2A820J	MG RESISTOR	82Ω 1/10W J	1	
	R603	RK73HB1J105J	MG RESISTOR	1MΩ 1/16W J	1	
	R604	RK73HB1J105J	MG RESISTOR	1MΩ 1/16W J	1	
	R605	RK73HB1J4R7J	MG RESISTOR	4.7Ω 1/16W J	1	
	R611	RK73HB1J101J	MG RESISTOR	100Ω 1/16W J	1	
	R682	RK73HB1J101J	MG RESISTOR	100Ω 1/16W J	1	
	R683	RK73HB1J000J	MG RESISTOR	0Ω 1/16W J	1	
	R684	RK73HB1J392J	MG RESISTOR	3.9kΩ 1/16W J	1	
	R685	RK73HB1J392J	MG RESISTOR	3.9kΩ 1/16W J	1	
	R690	RK73GB2A102J	MG RESISTOR	1kΩ 1/10W J	1	
	R691	RK73GB2A102J	MG RESISTOR	1kΩ 1/10W J	1	
	R702	RK73HB1J222J	MG RESISTOR	2.2kΩ 1/16W J	1	
	R703	RK73HB1J101J	MG RESISTOR	100Ω 1/16W J	1	
	R704	RK73HB1J222J	MG RESISTOR	2.2kΩ 1/16W J	1	
	R705	RK73HB1J101J	MG RESISTOR	100Ω 1/16W J	1	
	R706	RK73HB1J682J	MG RESISTOR	6.8kΩ 1/16W J	1	
	R709	RK73HB1J472J	MG RESISTOR	4.7kΩ 1/16W J	1	
	R710	RK73HB1J473J	MG RESISTOR	47kΩ 1/16W J	1	
	R711	RK73HB1J473J	MG RESISTOR	47kΩ 1/16W J	1	
	R712	RK73HB1J473J	MG RESISTOR	47kΩ 1/16W J	1	
	R713	RK73HB1J103J	MG RESISTOR	10kΩ 1/16W J	1	
	R714	RK73HB1J274J	MG RESISTOR	270kΩ 1/16W J	1	
	R718	RK73HB1J472J	MG RESISTOR	4.7kΩ 1/16W J	1	
	R720	RK73HB1J332J	MG RESISTOR	3.3kΩ 1/16W J	1	K2
	R726	RK73HB1J103J	MG RESISTOR	10kΩ 1/16W J	1	
	R730	RK73HB1J222J	MG RESISTOR	2.2kΩ 1/16W J	1	
	R739	RK73HB1J102J	MG RESISTOR	1kΩ 1/16W J	1	
	R740	RK73HB1J472J	MG RESISTOR	4.7kΩ 1/16W J	1	
	R742	RK73HB1J101J	MG RESISTOR	100Ω 1/16W J	1	
	R743	RK73HB1J222J	MG RESISTOR	2.2kΩ 1/16W J	1	
	R746	RK73HB1J000J	MG RESISTOR	0Ω 1/16W J	1	
	R755	RK73HB1J103J	MG RESISTOR	10kΩ 1/16W J	1	
	R756	RK73HB1J101J	MG RESISTOR	100Ω 1/16W J	1	
	R760	RK73HB1J000J	MG RESISTOR	0Ω 1/16W J	1	E1,M1,K0,K1,E2,H1,M2 ,K4,K3,K2
	R761	RK73HB1J000J	MG RESISTOR	0Ω 1/16W J	1	E1,M1,K0,K1,E2,H1,M2 ,K4,K3,K2
	R768	RK73HB1J393J	MG RESISTOR	39kΩ 1/16W J	1	E3,E1,E2
	R768	RK73HB1J333J	MG RESISTOR	33kΩ 1/16W J	1	M1,H1,M2
	R768	RK73HB1J223J	MG RESISTOR	22kΩ 1/16W J	1	K4,K3,K2
	R769	RK73HB1J822J	MG RESISTOR	8.2kΩ 1/16W J	1	E3,E1,E2
	R769	RK73HB1J153J	MG RESISTOR	15kΩ 1/16W J	1	M1,H1,M2
	R769	RK73HB1J473J	MG RESISTOR	47kΩ 1/16W J	1	K0,K1
	R769	RK73HB1J273J	MG RESISTOR	27kΩ 1/16W J	1	K4,K3,K2
	R770	RK73HB1J153J	MG RESISTOR	15kΩ 1/16W J	1	E3,K4
	R770	RK73HB1J223J	MG RESISTOR	22kΩ 1/16W J	1	E1,M1,K0,K1,E2,H1,M2 ,K3
	R770	RK73HB1J273J	MG RESISTOR	27kΩ 1/16W J	1	K2
	R771	RK73HB1J333J	MG RESISTOR	33kΩ 1/16W J	1	E3,K4
	R771	RK73HB1J273J	MG RESISTOR	27kΩ 1/16W J	1	E1,M1,K0,K1,E2,H1,M2 ,K3
	R771	RK73HB1J223J	MG RESISTOR	22kΩ 1/16W J	1	K2
	R772	RK73HB1J101J	MG RESISTOR	100Ω 1/16W J	1	
	R777	RK73HB1J000J	MG RESISTOR	0Ω 1/16W J	1	E1,M1,K0,K1,E2,H1,M2 ,K4,K3,K2
	R778	RK73HB1J101J	MG RESISTOR	100Ω 1/16W J	1	E1,M1,K0,K1,E2,H1,M2 ,K4,K3,K2
	R782	RK73HB1J000J	MG RESISTOR	0Ω 1/16W J	1	
	R785	RK73HB1J000J	MG RESISTOR	0Ω 1/16W J	1	
	R788	RK73HH1J823D	MG RESISTOR	82kΩ 1/16W D	1	
	R789	RK73HH1J393D	MG RESISTOR	39kΩ 1/16W D	1	
	R790	RK73HB1J100J	MG RESISTOR	10Ω 1/16W J	1	
	R792	RK73HB1J100J	MG RESISTOR	10Ω 1/16W J	1	
	R796	RK73HH1J302D	MG RESISTOR	3kΩ 1/16W D	1	
	R797	RK73HB1J222J	MG RESISTOR	2.2kΩ 1/16W J	1	
	R798	RK73HB1J222J	MG RESISTOR	2.2kΩ 1/16W J	1	
	R799	RK73HB1J105J	MG RESISTOR	1MΩ 1/16W J	1	

MODEL	MARK	MODEL	MARK	MODEL	MARK	MODEL	MARK
KMM-304Y	E3	KMM-BT204	E1	KMM-BT204	M1	KMM-BT222U	K0
KMM-BT240U	K1	KMM-BT304	E2	KMM-BT304	H1	KMM-BT304	M2
KMM-BT322	K4	KMM-BT322U	K3	KMR-M322BT	K2		

Safe	Symbol No.	Parts No.	Parts Name	Description	QTY	Local
	R800	RK73HB1J000J	MG RESISTOR	0Ω 1/16W J	1	
	R801	RK73HB1J222J	MG RESISTOR	2.2kΩ 1/16W J	1	
	R802	RK73HB1J473J	MG RESISTOR	47kΩ 1/16W J	1	E3,E1,M1,K0,K1,E2,K2
	R803	RK73HB1J225J	MG RESISTOR	2.2MΩ 1/16W J	1	H1,M2,K4,K3
	R805	RK73HB1J102J	MG RESISTOR	1kΩ 1/16W J	1	
	R806	RK73HB1J102J	MG RESISTOR	1kΩ 1/16W J	1	
	R808	RK73HB1J680J	MG RESISTOR	68Ω 1/16W J	1	
	R809	RK73HB1J102J	MG RESISTOR	1kΩ 1/16W J	1	
	R820	RK73HB1J473J	MG RESISTOR	47kΩ 1/16W J	1	
	R823	RK73HB1J470J	MG RESISTOR	47Ω 1/16W J	1	
	R824	RK73HB1J473J	MG RESISTOR	47kΩ 1/16W J	1	
	R827	RK73HB1J103J	MG RESISTOR	10kΩ 1/16W J	1	
	R828	RK73HB1J103J	MG RESISTOR	10kΩ 1/16W J	1	
	R829	RK73HB1J220J	MG RESISTOR	22Ω 1/16W J	1	
	R830	RK73HB1J101J	MG RESISTOR	100Ω 1/16W J	1	
	R831	RK73HB1J222J	MG RESISTOR	2.2kΩ 1/16W J	1	
	R860	RK73HB1J222J	MG RESISTOR	2.2kΩ 1/16W J	1	
	R861	RK73HB1J682J	MG RESISTOR	6.8kΩ 1/16W J	1	
	R870	RK73HB1J000J	MG RESISTOR	0Ω 1/16W J	1	
	R881	RK73HH1J243D	MG RESISTOR	24kΩ 1/16W D	1	
	R882	RK73HH1J123D	MG RESISTOR	12kΩ 1/16W D	1	
	R883	RK73GB2A2R2J	MG RESISTOR	2.2Ω 1/10W J	1	
	R889	RK73HB1J332J	MG RESISTOR	3.3kΩ 1/16W J	1	
	R890	RK73HB1J101J	MG RESISTOR	100Ω 1/16W J	1	
	R891	RK73HH1J123D	MG RESISTOR	12kΩ 1/16W D	1	
	R893	RK73HB1J222J	MG RESISTOR	2.2kΩ 1/16W J	1	
	R905	RK73HB1J101J	MG RESISTOR	100Ω 1/16W J	1	
	R910	RK73FB2B000J	MG RESISTOR	0Ω 1/8W J	1	
	R980	RK73EB2E682J	MG RESISTOR	6.8kΩ 1/4W J	1	
	R981	RK73EB2E682J	MG RESISTOR	6.8kΩ 1/4W J	1	
	R982	RK73EB2E473J	MG RESISTOR	47kΩ 1/4W J	1	
	R984	RK73EB2E473J	MG RESISTOR	47kΩ 1/4W J	1	
	R1070	RK73GB2A102J	MG RESISTOR	1kΩ 1/10W J	1	
	R1300	RK73HB1J562J	MG RESISTOR	5.6kΩ 1/16W J	1	E1,M1,K0,K1,E2,H1,M2
	R1302	RK73HB1J101J	MG RESISTOR	100Ω 1/16W J	1	,K4,K3,K2
	R1303	RK73HB1J101J	MG RESISTOR	100Ω 1/16W J	1	E1,M1,K0,K1,E2,H1,M2
						,K4,K3
	R1900	RK73HB1J330J	MG RESISTOR	33Ω 1/16W J	1	
	R1901	RK73HB1J330J	MG RESISTOR	33Ω 1/16W J	1	
	R1902	RK73HB1J330J	MG RESISTOR	33Ω 1/16W J	1	
	R1903	RK73HB1J330J	MG RESISTOR	33Ω 1/16W J	1	
	R1904	RK73HB1J330J	MG RESISTOR	33Ω 1/16W J	1	
	R1905	RK73HB1J330J	MG RESISTOR	33Ω 1/16W J	1	
	R1906	RK73HB1J330J	MG RESISTOR	33Ω 1/16W J	1	
	R1907	RK73HB1J330J	MG RESISTOR	33Ω 1/16W J	1	
	R1908	RK73HB1J330J	MG RESISTOR	33Ω 1/16W J	1	
	R1909	RK73HB1J330J	MG RESISTOR	33Ω 1/16W J	1	
	R1910	RK73HB1J330J	MG RESISTOR	33Ω 1/16W J	1	
	R1911	RK73HB1J330J	MG RESISTOR	33Ω 1/16W J	1	
	R1912	RK73HB1J330J	MG RESISTOR	33Ω 1/16W J	1	
	R1913	RK73HB1J330J	MG RESISTOR	33Ω 1/16W J	1	
	R1914	RK73HB1J330J	MG RESISTOR	33Ω 1/16W J	1	
	R1915	RK73HB1J330J	MG RESISTOR	33Ω 1/16W J	1	
	R1921	RK73HB1J151J	MG RESISTOR	150Ω 1/16W J	1	
	R1932	RK73HB1J000J	MG RESISTOR	0Ω 1/16W J	1	
	R2003	RK73HB1J220J	MG RESISTOR	22Ω 1/16W J	1	E1,M1,K0,K1,E2,H1,M2
	R2004	RK73HB1J220J	MG RESISTOR	22Ω 1/16W J	1	,K4,K3,K2
						E1,M1,K0,K1,E2,H1,M2
	R2010	RK73HB1J000J	MG RESISTOR	0Ω 1/16W J	1	,K4,K3,K2
	R2011	RK73HB1J101J	MG RESISTOR	100Ω 1/16W J	1	E1,M1,K0,K1,E2,H1,M2
	R2012	RK73HB1J220J	MG RESISTOR	22Ω 1/16W J	1	,K4,K3,K2
	R2013	RK73HB1J101J	MG RESISTOR	100Ω 1/16W J	1	E1,M1,K0,K1,E2,H1,M2
	R2016	RK73HB1J101J	MG RESISTOR	100Ω 1/16W J	1	,K4,K3,K2
	R2017	RK73HB1J101J	MG RESISTOR	100Ω 1/16W J	1	E1,M1,K0,K1,E2,H1,M2
	R2018	RK73HB1J101J	MG RESISTOR	100Ω 1/16W J	1	,K4,K3,K2
	R2019	RK73HB1J220J	MG RESISTOR	22Ω 1/16W J	1	E1,M1,K0,K1,E2,H1,M2
	R2021	RK73HB1J220J	MG RESISTOR	22Ω 1/16W J	1	,K4,K3,K2
	R2023	RK73HB1J220J	MG RESISTOR	22Ω 1/16W J	1	E1,M1,K0,K1,E2,H1,M2
	R2030	RK73HB1J000J	MG RESISTOR	0Ω 1/16W J	1	,K4,K3,K2
	R2033	RK73HB1J472J	MG RESISTOR	4.7kΩ 1/16W J	1	E1,M1,K0,K1,E2,H1,M2
	R2034	RK73HB1J222J	MG RESISTOR	2.2kΩ 1/16W J	1	,K4
	R9000	RK73HB1J112J	MG RESISTOR	1.1kΩ 1/16W J	1	
	R9000	RK73HB1J182J	MG RESISTOR	1.8kΩ 1/16W J	1	E1,M1,K0,K1,K4,K3
	R9009	RK73HH1J100D	MG RESISTOR	10Ω 1/16W D	1	E2,H1,M2,K2
	R9012	RK73HB1J103J	MG RESISTOR	10kΩ 1/16W J	1	
	RA470	RK74GB1J100J	NET RESISTOR	10Ω 1/16W J	1	
	L540	LK73Z0CA4R7M	M.CHIP INDUCTOR		1	K3,K2
	L541	LR7920JM100M	CHIP INDUCTOR		1	

MODEL	MARK	MODEL	MARK	MODEL	MARK	MODEL	MARK
KMM-304Y	E3	KMM-BT204	E1	KMM-BT204	M1	KMM-BT222U	K0
KMM-BT240U	K1	KMM-BT304	E2	KMM-BT304	H1	KMM-BT304	M2
KMM-BT322	K4	KMM-BT322U	K3	KMR-M322BT	K2		

Safe	Symbol No.	Parts No.	Parts Name	Description	QTY	Local
	L560	LK73Z0CA4R7M	M.CHIP INDUCTOR		1	
	L561	LR79Z0JM100M	CHIP INDUCTOR		1	
	L600	LR73Z0AD4R7M	CHIP INDUCTOR	4.7uH	1	
	L601	LK73G0BE4R7K	M.CHIP INDUCTOR		1	
	L602	LK73G0BER47K	M.CHIP INDUCTOR		1	
	L603	LK73G0BER10K	M.CHIP INDUCTOR		1	
	L604	LK73G0BE1R0K	M.CHIP INDUCTOR		1	
	L605	LK73G0BER22K	M.CHIP INDUCTOR		1	
	L606	LK73G0BER12K	M.CHIP INDUCTOR		1	
	L607	LK73G0BER15K	M.CHIP INDUCTOR		1	
	L700	RK73HB1J000J	MG RESISTOR	0Ω 1/16W J	1	
	L701	LB73H0AY-004	CHIP FERRITE		1	
	L706	RK73HB1J000J	MG RESISTOR	0Ω 1/16W J	1	K3,K2
	L707	RK73HB1J000J	MG RESISTOR	0Ω 1/16W J	1	K3,K2
	L708	RK73HB1J000J	MG RESISTOR	0Ω 1/16W J	1	
	L709	RK73HB1J000J	MG RESISTOR	0Ω 1/16W J	1	
	L811	RK73HB1J000J	MG RESISTOR	0Ω 1/16W J	1	
	L821	LB73G0ED-002	CHIP FERRITE		1	
	L822	RK73HB1J000J	MG RESISTOR	0Ω 1/16W J	1	
	L824	RK73HB1J220J	MG RESISTOR	22Ω 1/16W J	1	
	L825	RK73HB1J220J	MG RESISTOR	22Ω 1/16W J	1	
	L826	RK73HB1J220J	MG RESISTOR	22Ω 1/16W J	1	
	L827	RK73HB1J220J	MG RESISTOR	22Ω 1/16W J	1	
	L828	RK73HB1J220J	MG RESISTOR	22Ω 1/16W J	1	
	L829	RK73HB1J000J	MG RESISTOR	0Ω 1/16W J	1	
	L830	LB73G0ED-002	CHIP FERRITE		1	
	L831	LB73H0AY-004	CHIP FERRITE		1	
	L990	L3D-0043-00	CHOKE COIL		1	
	L1900	L7K-0056-00	LC FILTER		1	
	L2000	RK73HB1J101J	MG RESISTOR	100Ω 1/16W J	1	
	L2001	RK73HB1J101J	MG RESISTOR	100Ω 1/16W J	1	
	L2002	RK73HB1J151J	MG RESISTOR	150Ω 1/16W J	1	K3,K2
	L2003	RK73HB1J000J	MG RESISTOR	0Ω 1/16W J	1	K2
	L2004	RK73HB1J000J	MG RESISTOR	0Ω 1/16W J	1	K2
	L2005	LR73Z0AD4R7M	CHIP INDUCTOR	4.7uH	1	
	L2006	RK73HH1J470D	MG RESISTOR	47Ω 1/16W D	1	
	L9000	LR73Z0AD1R0M	CHIP INDUCTOR	1uH	1	
	L9001	LB73G0ED-002	CHIP FERRITE		1	
	A1303	W0C-0167-00	CIRCUIT MODULE		1	E1,M1,K0,K1,E2,H1,M2,K4,K3
	A1303	W0C-0168-10	CIRCUIT MODULE		1	K2
	CN220	EA710AP-2002A	W TO B CONNE		1	K3,K2
	CN481	EA710AP-2006A	W TO B CONNE		1	K2
	CN701	QGZ2006J1-20	DETACHABLE CONN	(1-20)	1	
	CN990	E5J-0139-00	R.RECEPTACLE		1	
△	F1	F53-0513-08	PATTERN FUSE	4A	1	
△	F540	FZA10BH-2R5	FUSE (CC)		1	
△	F560	FZA10BH-1R25	FUSE (CC)		1	
	J220	E1B-0013-00	3.5D PHONE JACK		1	E1,M1,K0,K1,E2,H1,M2,K4
	J321	E6D-0016-00	PIN JACK		1	E3,E2,H1,M2,K4,K3,K2
	J321	E6D-0014-00	PIN JACK		1	E1,M1,K0,K1
	J470	QNZ0907-001	CIR CONNECTOR		1	K3,K2
	J601	QNB0356-001	ANT TERMINAL		1	
	S830	S7A-0031-00	TACTILE PUSH SW		1	
	VA480	NAF0029-002X	ESD SUPPRESSOR		1	K2
	VA601	F0K-0265-00	SURGE ABSORBER		1	
	VA703	F0K-0010-00	SURGE ABSORBER		1	
	VA705	F0K-0010-00	SURGE ABSORBER		1	
	VA9001	NAF0024-001X	ESD SUPPRESSOR		1	
	VA9002	NAF0024-001X	ESD SUPPRESSOR		1	
	VA9003	NAF0024-001X	ESD SUPPRESSOR		1	
	X600	L7J-0014-00	QUARTZ CRYSTAL		1	
	X701	L7J-0138-00	QUARTZ CRYSTAL		1	
	X702	L7J-0123-00	QUARTZ CRYSTAL		1	
	SWITCH PWB ASSY (XJ6-111x-0x) <XJ6>					
	IC1	BU97520AKV-M	MOS IC		1	E1,M1,K0,K1
	Q1	KTC4075P/Y/	TRANSISTOR		1	E1,M1,K0,K1
	Q51	KTC4075EP/Y/	TRANSISTOR		1	E1,M1,K0,K1
	Q52	KTC4075P/Y/	TRANSISTOR		1	E1,M1,K0,K1
	D1	UDZV5.6B	ZENER DIODE		1	E1,M1,K0,K1
	D2	SM5818PL	SCHOTTKY DIODE		1	E1,M1,K0,K1
	D20	SML-D12V8WT	LED		1	E1,M1,K0,K1
	D21	LRT67DU1V211	LED		1	E1,M1
	D21	QSMTUBB5ZT3Y2	LED		1	K0,K1
	D22	LRT67DU1V211	LED		1	E1,M1
	D22	QSMTUBB5ZT3Y2	LED		1	K0,K1
	D23	LRT67DU1V211	LED		1	E1,M1
	D23	QSMTUBB5ZT3Y2	LED		1	K0,K1
	D25	SML-D12V8WT	LED		1	E1,M1
	D25	QSMR-C13SBCMN	LED		1	K0,K1
	D26	SML-D12V8WT	LED		1	E1,M1
	D26	QSMR-C13SBCMN	LED		1	K0,K1
	D46	NHSW157B	LED		1	E1,M1,K0,K1
	D48	NHSW157B	LED		1	E1,M1,K0,K1
	D80	UDZV5.1B	ZENER DIODE		1	E1,M1,K0,K1
	D81	UDZV5.1B	ZENER DIODE		1	E1,M1,K0,K1
	C1	CK73GXR1C105K	C CAPACITOR	1uF 16V K	1	E1,M1,K0,K1
	C4	CK73GXR1C105K	C CAPACITOR	1uF 16V K	1	E1,M1,K0,K1
	C5	CK73GXR1C105K	C CAPACITOR	1uF 16V K	1	E1,M1,K0,K1
	C6	CK73EXR1C106K	C CAPACITOR	10uF 16V K	1	E1,M1,K0,K1

MODEL	MARK	MODEL	MARK	MODEL	MARK	MODEL	MARK
KMM-304Y	E3	KMM-BT204	E1	KMM-BT204	M1	KMM-BT222U	K0
KMM-BT240U	K1	KMM-BT304	E2	KMM-BT304	H1	KMM-BT304	M2
KMM-BT322	K4	KMM-BT322U	K3	KMR-M322BT	K2		

Safe	Symbol No.	Parts No.	Parts Name	Description	QTY	Local
	C7	CK73GBB1H472K	C CAPACITOR	4700pF 50V K	1	E1,M1,K0,K1
	C60	CK73GBB1H102K	C CAPACITOR	1000pF 50V K	1	E1,M1,K0,K1
	C61	CK73GBB1H102K	C CAPACITOR	1000pF 50V K	1	E1,M1,K0,K1
	C80	CC73GCH1H270J	C CAPACITOR	27pF 50V J	1	E1,M1,K0,K1
	C81	CC73GCH1H270J	C CAPACITOR	27pF 50V J	1	E1,M1,K0,K1
	C82	CK73EXR1E106K	C CAPACITOR	10uF 25V K	1	E1,M1,K0,K1
	C83	CK73GBB1H471K	C CAPACITOR	470pF 50V K	1	E1,M1,K0,K1
	C84	CK73GBB1H472K	C CAPACITOR	4700pF 50V K	1	E1,M1,K0,K1
	C85	CK73GBB1H471K	C CAPACITOR	470pF 50V K	1	E1,M1,K0,K1
	C86	CK73GBB1H472K	C CAPACITOR	4700pF 50V K	1	E1,M1,K0,K1
	R1	RK73GB2A101J	MG RESISTOR	100Ω 1/10W J	1	E1,M1,K0,K1
	R3	RK73GB2A471J	MG RESISTOR	470Ω 1/10W J	1	E1,M1,K0,K1
	R5	RK73EB2E331J	MG RESISTOR	330Ω 1/4W J	1	E1,M1,K0,K1
	R6	RK73GB2A102J	MG RESISTOR	1kΩ 1/10W J	1	E1,M1,K0,K1
	R7	RK73EB2E000J	MG RESISTOR	0Ω 1/4W J	1	E1,M1,K0,K1
	R21	RK73GB2A152J	MG RESISTOR	1.5kΩ 1/10W J	1	E1,M1,K0,K1
	R22	RK73FB2B102J	MG RESISTOR	1kΩ 1/8W J	1	E1,M1,K0,K1
	R23	RK73FB2B102J	MG RESISTOR	1kΩ 1/8W J	1	E1,M1,K0,K1
	R24	RK73FB2B122J	MG RESISTOR	1.2kΩ 1/8W J	1	E1,M1
	R24	RK73FB2B102J	MG RESISTOR	1kΩ 1/8W J	1	K0,K1
	R26	RK73FB2B102J	MG RESISTOR	1kΩ 1/8W J	1	E1,M1
	R26	RK73FB2B911J	MG RESISTOR	910Ω 1/8W J	1	K0,K1
	R48	RK73FB2B331J	MG RESISTOR	330Ω 1/8W J	1	E1,M1,K0,K1
	R50	RK73EB2E472J	MG RESISTOR	4.7kΩ 1/4W J	1	E1,M1,K0,K1
	R51	RK73EB2E682J	MG RESISTOR	6.8kΩ 1/4W J	1	E1,M1,K0,K1
	R60	RK73FB2B101J	MG RESISTOR	100Ω 1/8W J	1	E1,M1,K0,K1
	R61	RK73FB2B101J	MG RESISTOR	100Ω 1/8W J	1	E1,M1,K0,K1
	R62	RK73FB2B4R7J	MG RESISTOR	4.7Ω 1/8W J	1	E1,M1,K0,K1
	R80	RK73EB2E221J	MG RESISTOR	220Ω 1/4W J	1	E1,M1,K0,K1
	RA1	RK74GB1J101J	NET RESISTOR	100Ω 1/16W J	1	E1,M1,K0,K1
	RA2	RK74GB1J101J	NET RESISTOR	100Ω 1/16W J	1	E1,M1,K0,K1
	RA3	RK74GB1J101J	NET RESISTOR	100Ω 1/16W J	1	E1,M1,K0,K1
	CN2	QGZ2006K1-20X	DETACHABLE CONN	(1-20)	1	E1,M1,K0,K1
	FL80	L7K-0030-00	FILTER		1	E1,M1,K0,K1
	J60	QNS0320-001	3.5 JACK		1	E1,M1,K0,K1
	J80	E5J-0069-00	USB TERMINAL		1	E1,M1,K0,K1
	S20	T9K-0007-00	ROTARY ENCODER		1	E1,M1,K0,K1
	SWITCH PWB ASSY (XJ6-112x-0x) <XJ6>					
	IC1	BU97550KV-M	MOS IC		1	E3,E2,H1,M2,K4,K3,K2
	IC3	AS431AN-G1	ANALOG IC		1	E3,E2,H1,M2,K4,K3,K2
	IC90	SIRD630B6T	IR DETECT UNIT		1	H1,M2,K4,K3
	Q50	KTC4075EP/Y/	TRANSISTOR		1	E3,E2,H1,M2,K4,K3,K2
	Q51	KTC4075EP/Y/	TRANSISTOR		1	E3,E2,H1,M2,K4,K3,K2
	Q52	KTC4075EP/Y/	TRANSISTOR		1	E3,E2,H1,M2,K4,K3,K2
	Q53	KTC4075EP/Y/	TRANSISTOR		1	E3,E2,H1,M2,K4,K3,K2
	Q54	KTC4075EP/Y/	TRANSISTOR		1	E3,E2,H1,M2,K4,K3,K2
	Q55	KTC4075EP/Y/	TRANSISTOR		1	E3,E2,H1,M2,K4,K3,K2
	Q57	KTC4075EP/Y/	TRANSISTOR		1	E2,H1,M2,K4,K3,K2
	Q58	KTC4075EP/Y/	TRANSISTOR		1	E2,H1,M2,K4,K3,K2
	Q90	KRA302E-P	DIGI TRANSISTOR		1	H1,M2,K4,K3
	Q91	KRC402E-P	DIGI TRANSISTOR		1	H1,M2,K4,K3
	D2	SM5818PL	SCHOTTKY DIODE		1	E3,E2,H1,M2,K4,K3,K2
	D3	SM5818PL	SCHOTTKY DIODE		1	E3,E2,H1,M2,K4,K3,K2
	D12	SML-D12V8WT	LED		1	E2,H1,M2,K4,K3,K2
	D13	SML-D12V8WT	LED		1	E2,H1,M2,K4,K3,K2
	D20	SML-D12V8WT	LED		1	E3,E2,H1,M2,K4,K3,K2
	D21	LRTBGVTG-U//0	LED		1	E3,E2,H1,M2,K4,K3,K2
	D22	LRTBGVTG-U//0	LED		1	E3,E2,H1,M2,K4,K3,K2
	D23	NESM026D	LED		1	E3,E2,H1,M2,K4,K3,K2
	D25	LRTBGVTG-U//0	LED		1	E3,E2,H1,M2,K4,K3,K2
	D49	LRTBGVTG-U//0	LED		1	E3,E2,H1,M2,K4,K3,K2
	D80	UDZV5.1B	ZENER DIODE		1	E3,E2,H1,M2,K4,K3,K2
	D81	UDZV5.1B	ZENER DIODE		1	E3,E2,H1,M2,K4,K3,K2
	C1	CK73GXR1C105K	C CAPACITOR	1uF 16V K	1	E3,E2,H1,M2,K4,K3,K2
	C5	CK73GXR1A105K	C CAPACITOR	1uF 10V K	1	E3,E2,H1,M2,K4,K3,K2
	C6	CK73EXR1C106K	C CAPACITOR	10uF 16V K	1	E3,E2,H1,M2,K4,K3,K2
	C7	CK73GBB1H472K	C CAPACITOR	4700pF 50V K	1	E3,E2,H1,M2,K4,K3,K2
	C60	CK73GBB1H102K	C CAPACITOR	1000pF 50V K	1	E3,E2,H1,M2,K4,K3,K2
	C61	CK73GBB1H102K	C CAPACITOR	1000pF 50V K	1	E3,E2,H1,M2,K4,K3,K2
	C80	CC73GCH1H270J	C CAPACITOR	27pF 50V J	1	E3,E2,H1,M2,K4,K3,K2
	C81	CC73GCH1H270J	C CAPACITOR	27pF 50V J	1	E3,E2,H1,M2,K4,K3,K2
	C82	CK73EXR1E106K	C CAPACITOR	10uF 25V K	1	E3,E2,H1,M2,K4,K3,K2
	C83	CK73GBB1H471K	C CAPACITOR	470pF 50V K	1	E3,E2,H1,M2,K4,K3,K2
	C84	CK73GBB1H472K	C CAPACITOR	4700pF 50V K	1	E3,E2,H1,M2,K4,K3,K2
	C85	CK73GBB1H471K	C CAPACITOR	470pF 50V K	1	E3,E2,H1,M2,K4,K3,K2
	C86	CK73GBB1H472K	C CAPACITOR	4700pF 50V K	1	E3,E2,H1,M2,K4,K3,K2
	C91	CK73GXR1A105K	C CAPACITOR	1uF 10V K	1	H1,M2,K4,K3
	R1	RK73GH2A473D	MG RESISTOR	47kΩ 1/10W D	1	E3,E2,H1,M2,K4,K3,K2
	R2	RK73GH2A473D	MG RESISTOR	47kΩ 1/10W D	1	E3,E2,H1,M2,K4,K3,K2
	R3	RK73GB2A471J	MG RESISTOR	470Ω 1/10W J	1	E3,E2,H1,M2,K4,K3,K2
	R4	RK73GB2A101J	MG RESISTOR	100Ω 1/10W J	1	E3,E2,H1,M2,K4,K3,K2
	R6	RK73EB2E151J	MG RESISTOR	150Ω 1/4W J	1	E3,E2,H1,M2,K4,K3,K2
	R8	RK73FB2B473J	MG RESISTOR	47kΩ 1/8W J	1	E3,E2,H1,M2,K4,K3,K2
	R10	RK73GB2A152J	MG RESISTOR	1.5kΩ 1/10W J	1	E3,E2,H1,M2,K4,K3,K2
	R12	RK73GB2A152J	MG RESISTOR	1.5kΩ 1/10W J	1	E2,H1,M2,K4,K3,K2
	R13	RK73GB2A152J	MG RESISTOR	1.5kΩ 1/10W J	1	E2,H1,M2,K4,K3,K2
	R14	RK73GB2A124J	MG RESISTOR	120kΩ 1/10W J	1	E3,E2,H1,M2,K4,K3
	R14	RK73GB2A104J	MG RESISTOR	100kΩ 1/10W J	1	K2
	R21	RK73FB2B122J	MG RESISTOR	1.2kΩ 1/8W J	1	E3,E2,H1,M2,K4,K3,K2

MODEL	MARK	MODEL	MARK	MODEL	MARK	MODEL	MARK
KMM-304Y	E3	KMM-BT204	E1	KMM-BT204	M1	KMM-BT222U	K0
KMM-BT240U	K1	KMM-BT304	E2	KMM-BT304	H1	KMM-BT304	M2
KMM-BT322	K4	KMM-BT322U	K3	KMR-M322BT	K2		

Safe	Symbol No.	Parts No.	Parts Name	Description	QTY	Local
	R22	RK73FB2B821J	MG RESISTOR	820Ω 1/8W J	1	E3,E2,H1,M2,K4,K3,K2
	R23	RK73FB2B821J	MG RESISTOR	820Ω 1/8W J	1	E3,E2,H1,M2,K4,K3,K2
	R25	RK73FB2B122J	MG RESISTOR	1.2kΩ 1/8W J	1	E3,E2,H1,M2,K4,K3,K2
	R26	RK73FB2B821J	MG RESISTOR	820Ω 1/8W J	1	E3,E2,H1,M2,K4,K3,K2
	R27	RK73FB2B821J	MG RESISTOR	820Ω 1/8W J	1	E3,E2,H1,M2,K4,K3,K2
	R29	RK73FB2B222J	MG RESISTOR	2.2kΩ 1/8W J	1	E3,E2,H1,M2,K4,K3,K2
	R30	RK73FB2B182J	MG RESISTOR	1.8kΩ 1/8W J	1	E3,E2,H1,M2,K4,K3,K2
	R31	RK73FB2B182J	MG RESISTOR	1.8kΩ 1/8W J	1	E3,E2,H1,M2,K4,K3,K2
	R33	RK73EB2E681J	MG RESISTOR	680Ω 1/4W J	1	E3,E2,H1,M2,K4,K3
	R33	RK73EB2E821J	MG RESISTOR	820Ω 1/4W J	1	K2
	R34	RK73EB2E561J	MG RESISTOR	560Ω 1/4W J	1	E3,E2,H1,M2,K4,K3
	R34	RK73EB2E681J	MG RESISTOR	680Ω 1/4W J	1	K2
	R35	RK73EB2E561J	MG RESISTOR	560Ω 1/4W J	1	E3,E2,H1,M2,K4,K3
	R35	RK73EB2E681J	MG RESISTOR	680Ω 1/4W J	1	K2
	R37	RK73FB2B122J	MG RESISTOR	1.2kΩ 1/8W J	1	E3,E2,H1,M2,K4,K3,K2
	R38	RK73FB2B681J	MG RESISTOR	680Ω 1/8W J	1	E3,E2,H1,M2,K4,K3,K2
	R39	RK73FB2B681J	MG RESISTOR	680Ω 1/8W J	1	E3,E2,H1,M2,K4,K3,K2
	R57	RK73GB2A682J	MG RESISTOR	6.8kΩ 1/10W J	1	E2,H1,M2,K4,K3,K2
	R60	RK73FB2B101J	MG RESISTOR	100Ω 1/8W J	1	E3,E2,H1,M2,K4,K3,K2
	R61	RK73FB2B101J	MG RESISTOR	100Ω 1/8W J	1	E3,E2,H1,M2,K4,K3,K2
	R62	RK73FB2B4R7J	MG RESISTOR	4.7Ω 1/8W J	1	E3,E2,H1,M2,K4,K3,K2
	R80	RK73EB2E221J	MG RESISTOR	220Ω 1/4W J	1	E3,E2,H1,M2,K4,K3,K2
	RA1	RK74GB1J101J	NET RESISTOR	100Ω 1/16W J	1	E3,E2,H1,M2,K4,K3,K2
	RA2	RK74GB1J101J	NET RESISTOR	100Ω 1/16W J	1	E3,E2,H1,M2,K4,K3,K2
	RA3	RK74GB1J101J	NET RESISTOR	100Ω 1/16W J	1	E3,E2,H1,M2,K4,K3,K2
	RA50	RK74GB1J682J	NET RESISTOR	6.8kΩ 1/16W J	1	E3,E2,H1,M2,K4,K3,K2
	RA53	RK74GB1J682J	NET RESISTOR	6.8kΩ 1/16W J	1	E3,E2,H1,M2,K4,K3,K2
	CN2	QGZ2006K1-20X	DETACHABLE CONN	(1-20)	1	E3,E2,H1,M2,K4,K3,K2
	FL80	L7K-0030-00	FILTER		1	E3,E2,H1,M2,K4,K3,K2
	J60	QNS0320-001	3.5 JACK		1	E3,E2,H1,M2,K4,K3,K2
	J80	E5J-0069-00	USB TERMINAL		1	E3,E2,H1,M2,K4,K3,K2
	S20	T9K-0007-00	ROTARY ENCODER		1	E3,E2,H1,M2,K4,K3,K2